



SHERWOOD INDUSTRIES IS AN ENVIRONMENTALLY RESPONSIBLE COMPANY
THIS MANUAL IS PRINTED ON RECYCLED PAPER

ENVIRO GAS

By SHERWOOD INDUSTRIES

EG-40 Fireplace Insert Vented Room
Heater

OWNERS MANUAL



Installation And Operating Instructions For Model:-

EG-40 FPI. BV.

WHAT TO DO IF YOU SMELL GAS

- Open windows/Extinguish any open flame
- Do not try to light any appliance.
- Do not touch any electrical switch; do not use any phone in your building.
- Immediately call your gas supplier from a neighbor's phone. Follow the gas supplier's instructions.
- If you cannot reach your gas supplier, call the fire department.

WARNING

If the information in this manual is not followed exactly, a fire or explosion may result causing property damage, personal injury or loss of life. A qualified installer, service agency or the gas supplier must perform installation and service.

Do not store or use gasoline or other Flammable vapors and liquids in the vicinity of this or any other appliance.

PLEASE KEEP THESE OPERATING INSTRUCTIONS FOR FUTURE REFERENCE.

SAFETY PRECAUTIONS

FOR SAFE INSTALLATION AND OPERATION OF YOUR "ENVIROGAS" ROOM HEATER, PLEASE, CAREFULLY READ THE FOLLOWING INFORMATION:

- All "ENVIROGAS" gas-fired appliances must be installed in accordance with these instructions. Carefully read all the instructions in this manual first. Consult the building authority having jurisdiction to determine the need for a permit prior to commencing the installation.
- **NOTE** Failure to follow these instructions could cause a malfunction of the fireplace that could result in death, serious bodily injury, and/or property damage.
- Failure to follow these instructions may also void your fire insurance and/or warranty.

GENERAL

- Installation and repair should be done by a qualified service person. The appliance should be inspected before use and at least annually by a qualified service person. More frequent cleaning may be required due to excessive lint from carpeting, bedding material, etc. It is imperative that control compartment, burners and circulating air passageways of the appliance be kept clean.
- Due to high temperatures the appliance should be located out of high traffic areas and away from furniture and draperies. Children and adults should be alerted to hazards of high surface temperatures and should stay away to avoid burns or clothing ignition.
- Young children should be carefully supervised when they are in the same room as the appliance.
- Clothing or other flammable material should not be placed on or near the appliance.

FOR YOUR SAFETY

- A qualified installer, service agency or the gas supplier must perform installation and service.
- This installation must conform with local codes or, in the absence of local codes with the current CAN/CGA -B-149

installation code in Canada or the National Fuel Gas Code ANSI Z223.1.2 in the USA.

- To prevent injury, do not allow anyone who is unfamiliar with the operation to use the stove.
- Always keep the area around these appliances clear of combustible material, gasoline or other flammable vapors and liquids.
- These appliances should not be used as a drying rack for clothing or for hanging Christmas stockings or decorations.
- Due to the paint curing on the stove a faint odor and slight smoking will likely be noticed when the stove is first used. Open a window until the slight smoking stops. Always connect this gas stove to a chimney and vent to the outside of the building envelope. Never vent to another room or inside a building. Make sure you use the vent pipe that is specified. Make sure that the vent is properly sized and is of adequate height to provide the proper draft. Inspect the venting system annually for blockage and any signs of deterioration.
- **Do not operate with cracked or broken glass. Under no circumstances should this appliance be modified. Parts that have to be removed for servicing must be replaced prior to operating this appliance. Only parts supplied by ENVIROGAS should be used in this appliance and replacements should only be performed by a licensed or qualified service person.**
- Never use solid fuels such as wood, paper, cardboard, coal, or any other flammable liquids etc., in this appliance.
- Do not use this heater if any part has been under water. Immediately call a qualified service technician to inspect the heater and to replace any part of the control system and any gas control that has been under water.
- Do not abuse glass by striking or slamming door shut.

TABLE OF CONTENTS

1 Code Approvals	3
2 Specifications	3
3 Assembly and Installation Instruction	4
4 Deciding Where to Locate Your Stove.....	5
5 Venting.....	7
6 Installation of Log Sets and Embers.....	8
7 Operating Instructions.....	9
8 Routine Maintenance.....	10
9 Trouble Shooting.....	11
10 Gas Line Connection	12
11 Electrical Requirements.....	13
13 Parts and Accessories	14
Air Shutter Adjustment.....	15
14 Warranty	16
15 Installation Data Sheet.....	17

1. CODE APPROVALS

Canadian Standards Association has tested these appliances, and found them to comply with the established standards for GAS FIRED VENTED ROOM HEATER in CANADA and the USA as follows:

ENVIROGAS EG-40 VENTED ROOM HEATER (EG-40 FPI BV Nat & LPG.)

TESTED TO: ANSI Z21.11.1-1991,Z21.11.1A.-1193 CAN 1-2.1M 86.
--

2. SPECIFICATIONS

ENVIROGAS 40 (FIREPLACE INSERT) VENTED ROOM HEATER

Vented Type, designated by the suffix BV, this unit must be vented through a conventional chimney with a certified chimney liner kit.

- Has been certified for use with either natural or propane gases. (See rating label.)
- Is not for use with solid fuels.
- Is approved for bedroom or bedsitting room.
- Must be installed on a non-combustible surface.
- Must be installed in accordance with local codes.

If none exist use current installation code CAN/CGA B149 in Canada or ANSI Z223.1/NFPA 54 in the USA.

- Must be properly connected to a venting system.

WARNING; for installation only in a solid fuel burning fireplace with a working flue and constructed of non-combustible material.

FOR INSTALLATIONS ABOVE 2000 FEET

- In Canada, these appliances are certified for altitudes of 0-2,000 feet and must be derated by 10% for installation at elevations between 2,000 and 4,500 feet.
- In the USA, this appliance is certified for elevations up to 2,000 feet. For elevations above 2,000 feet, input should be reduced 4% for every 1,000 feet above sea level.

The efficiency rating of this appliance is a product thermal efficiency rating determined under continuous operating conditions and was determined independently of any installed system.

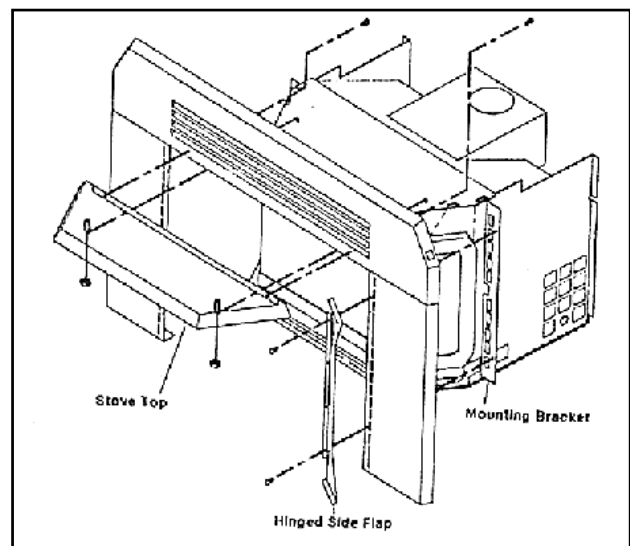
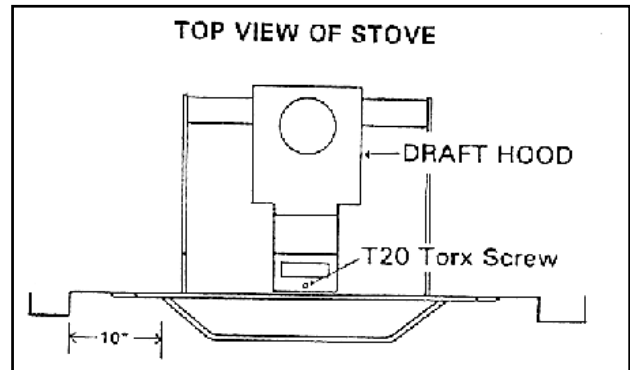
3. ASSEMBLY AND INSTALLATION INSTRUCTIONS

PREPARATION FOR INSTALLATION

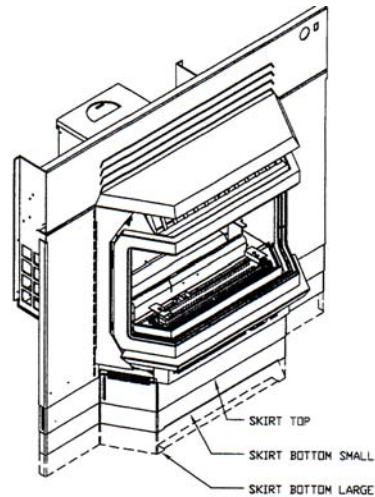
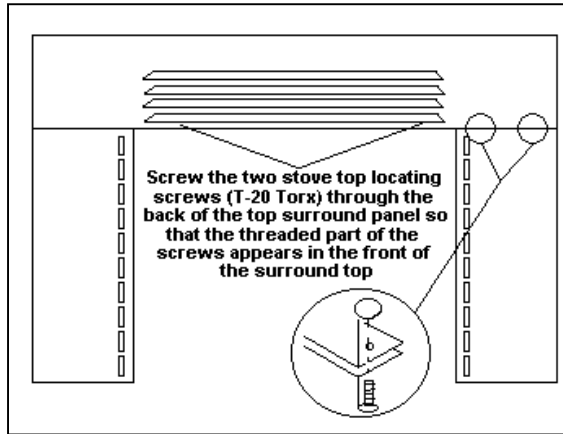
- Remove the packaging from the appliance, surround panels and log set, check to make sure there is no damage. Carefully check the glass door. **Do not use the unit if it is damaged.** In the event damage is found please report it to both the courier and your dealer as soon as possible.
- Carefully clean the fireplace and flue before installing the stove. Failure to do so may result in fumes or dirt being blown into the room and may cause a fire leading to death or serious injury.

ASSEMBLING AND INSTALLING YOUR ENVIROGAS APPLIANCE

1. Remove the two wood screws that attach the stove to its pallet.
2. Remove the vent collar plate from the top of the stove by unscrewing the T20 Torx screw, located on the center top of the stove and slide back. Properly secure the vent collar plate to the approved flexible vent pipe liner previously installed in the chimney, secure properly
3. Place the unit part way into the fireplace. Connect the fireplace insert's flexible gas line to the household gas supply using locally approved methods.
4. Place the electric cable so it can be connected to the power supply. Push the unit into its final position in the fireplace insuring that it is stable and level. Using the leveling legs provided with the surround panel set.
5. Reinstall the vent collar plate to the stove by sliding it along the draft hood and securing with the screw.
6. Assemble the surround panel set following the instruction sheet provided.
7. Remove the hinged side flaps from the panel mounting brackets on each side of the unit.
8. Loosen the 1/4" bolts holding the stove top (7/16" wrench). Pull top forward, lift up and remove.
9. Connect surround panel wire harness to the stove wire harness following the wiring diagram on PAGE 13.
10. Place the assembled surround around the stove, in front of the surround mounting brackets. Make sure the top surround panel sits flat on the stove.
11. Re-attach the hinged side flaps by sandwiching the surround panels between the mounting brackets and the hinged side flaps. Secure with screws.
12. Reinstall the top by inserting the bolts into the key-holes, push the top back aligning the holes in the top with the screws in the panel, tighten the bolts, re-attach the top grill bar.
13. Be sure to maintain adequate clearances around air openings, do not block.
14. Wipe down all gold surfaces with a soft rag to remove fingerprints, they may become etched when the unit is heated up.



4.DECIDING WHERE TO LOCATE YOUR STOVE



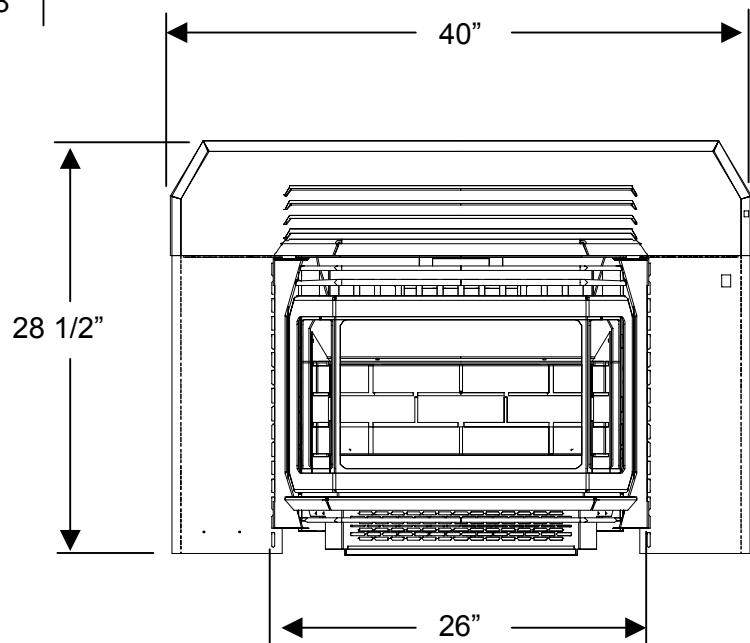
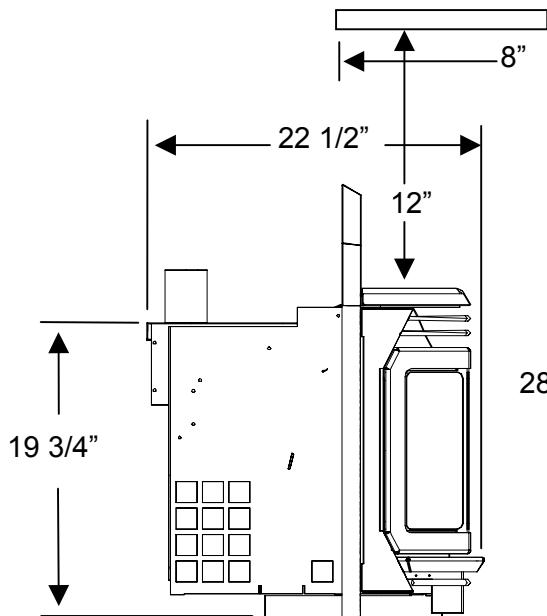
DIMENSIONS:

UNIT DIMENSIONS:	
Front Width:	26"/66 cm
Height Front:	22"/56 cm
Height Back:	19-3/4"/50 cm
Total Depth:	22-1/2"/57 cm
Shipping Weight:	256 lb./116 kg
SURROUND DIMENSIONS:	
STANDARD	40" / 101 cm
	28-1/2" / 71 cm
OVERSIZE	46" / 116.8 cm
	33" / 83.2 cm

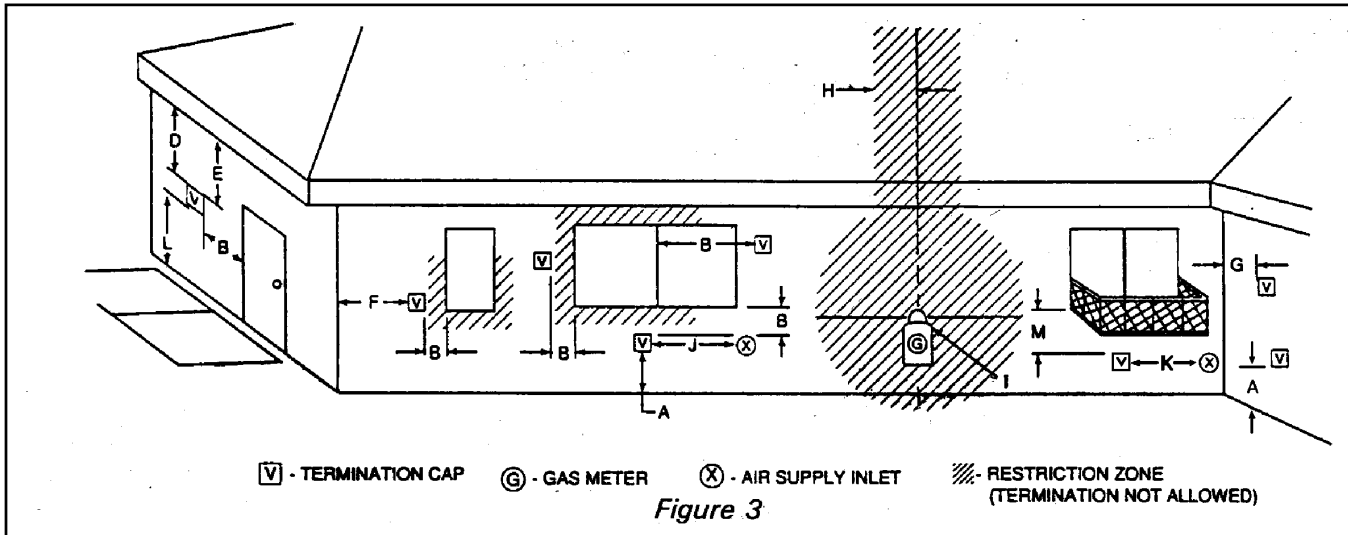
- A. Mantle pillar to stove 10"/ 25 cm
 - B. Stove to 8" wide mantle 12"/ 31 cm
- Stove must sit on a non-combustible surface, the width and depth of the insert*
Maintain sufficient clearances
for operation, service and maintenance

OTHER DIMENSIONS

- A. Depth of unit into fireplace 17"/ 43 cm
- B. Depth of unit out of fireplace 9 3/4"/ 25 cm
- C. Width of side panel 7"/ 18 cm
- D. Stove top to surround top 6 3/4"/ 17 cm
- E. Minimum firebox size W 36"x H 24"x D24"
 (W92 x H61 x D61) cm



VENT TERMINAL CLEARANCES



- A= Clearance above grade, verandah, porch, deck, or balcony [*12 inches (30 cm) minimum]
 B= Clearance to window or door that may be opened [*12 inches (30 cm) minimum]
 C= Clearance to permanently closed window [minimum 12 inches (30 cm) recommended to prevent condensation on window]
 D= Vertical clearance to ventilated soffit located above the terminal within a horizontal distance of 2 feet (60 cm) from the center-line of the terminal 24 inches (60 cm) minimum
 E= Clearance to unventilated soffit [18 inches (45 cm) minimum]
 F= Clearance to outside corner [12 inches minimum]
 G= Clearance to inside corner [12 inches minimum]

- H= *Not to be installed above a meter/regulator assembly within 3 feet (90 cm) horizontally from the center-line of the regulator
 I= Clearance to service regulator vent outlet [*6 feet (1.8m) minimum]
 J= Clearance to non-mechanical air supply inlet to building or the combustion air inlet to any other appliance [12 inches (30 cm) minimum]
 K= Clearance to a mechanical air supply inlet [*6 feet (1.8m) minimum]
 L= *** Clearance above paved side-walk or paved driveway located on public property [*7 feet (2.1m) minimum]
 M= Clearance under verandah, porch, deck, or balcony [*24 inches (60 cm) minimum **]

*** A vent shall not terminate directly above a sidewalk or paved driveway, which is located between two single-family dwellings and serves both dwellings.

** Only permitted if verandah, porch, deck, or balcony, is fully open on a minimum of 2 sides beneath the floor

- As specified in CGA B149 Installation Codes (1991) Note: Local Codes or Regulations may require different clearances

NOTE: THIS HEATER MUST BE PROPERLY CONNECTED TO A VENTING SYSTEM. THIS HEATER IS EQUIPPED WITH A VENT SAFETY SHUTOFF SYSTEM DESIGNED TO PROTECT AGAINST IMPROPER VENTING OF COMBUSTION PRODUCTS.

THIS SAFETY SWITCH IS LOCATED ON THE REAR OF THE APPLIANCE CLOSE TO THE DRAFT HOOD RELIEF OPENING.

IF THE SWITCH TRIPS MORE THAN ONCE THE CHIMNEY SHOULD BE INSPECTED BY A QUALIFIED SERVICE TECHNICIAN FOR POSSIBLE BLOCKAGE OR SEVERE DOWN DRAFT CONDITIONS

This stove can be vented with aluminum or stainless steel flex vent and/or certified 4" Type B Gas Vent. The flue collar of the appliance will fit inside of a standard 4" vent and may be fastened directly to the vent.

Check periodically that the vent is unrestricted and an adequate draft is present when the unit is in operation.

WARNING: Operation of this heater when not connected to a properly installed and maintained venting system or tampering with the vent safety shutoff system can result in carbon monoxide (CO) poisoning and possible death.

5. VENTING

WARNING; THIS APPLIANCE HAS BEEN DESIGNED TO OPERATE BY DRAWING COMBUSTION AIR AND DILUTION AIR FROM THE ROOM. IT IS ALSO DESIGNED TO DRAW ROOM AIR FOR PROPER HEAT CIRCULATION FROM THE SIDES OF THE UNIT. BLOCKING OR MODIFYING THE LOUVERS IN ANY WAY CAN CREATE HAZARDOUS SITUATIONS, EITHER THROUGH POOR VENTING OR BY OVERHEATING. IT IS IMPORTANT THAT THIS UNIT HAS SUFFICIENT AIR CIRCULATION FOR PROPER VENTING AND COMBUSTION. PROVISIONS MUST BE MADE FOR THE SUPPLY OF ADEQUATE COMBUSTION AND VENTILATION AIR. THESE OPENINGS MUST NOT BE BLOCKED.

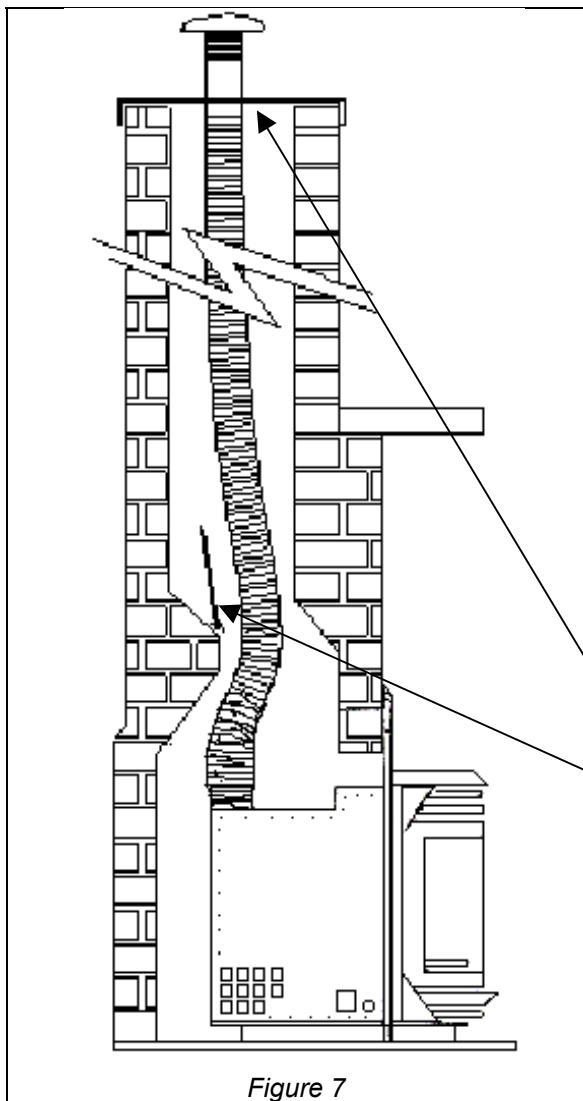


Figure 7

THE APPLIANCE MUST NOT BE CONNECTED TO A CHIMNEY FLUE SERVICING A SEPARATE SOLID FUEL BURNING APPLIANCE.

VENTING FIREPLACE INSERTS

The ENVIROGAS insert may be installed and vented into any solid fuel fireplace that has been installed in accordance with the National, Provincial/State and local building codes and has been constructed of non-combustible materials.

An listed 4" chimney liner, seal plate, and rain cap must be installed, to ensure a tight seal, top performance, safety and efficiency. Carefully follow the chimney manufacturer's instructions that accompany the liner kit.

Measure the height of the chimney before hand and purchase the appropriate kit. Never attempt to over stretch a flexible liner to accommodate the height of the chimney.

Install a seal plate to prevent leakage of room air through chimney. If the chimney is not sealed damage may occur to the appliance.

Any flue damper must be removed or blocked permanently in the open position.

The chimney must be clean, in good working order and constructed out of non-combustible materials.

Make sure that all chimney clean outs are tightly fitting and will not permit air to leak into the chimney.

Remove the vent collar plate from the top of the insert and connect it securely with at least 3 sheet metal screws and a 4"

hose clamp. Check for any tears in the liner at this point. (See also Assembly and Installation Instructions section 3.)

IMPORTANT: Replace the screw that holds the vent collar plate in it's approved position.

The draft hood must be in the same pressure zone as the air inlet.

To inspect draft from the front of the unit, open right side hinged flap. Locate 3/8" tube and check for draft using smoke or magnehelic gauge. A vacuum will indicate proper drafting.

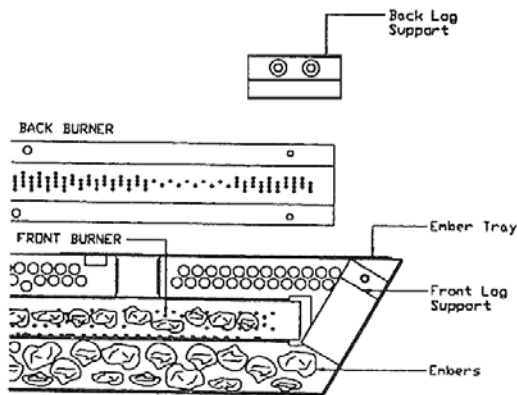
6. INSTALLATION OF LOG SET and EMBERS

INSTALLING THE GLOWING EMBERS

A bag of ceramic fiber embers is provided for use on the front burner ember tray.

CAUTION: Use only the type of ember material supplied with this appliance. Due to the irregular size of the ember material there may be more than required. Use only a single layer. Do not pile embers. The use of other foreign materials on the burners may create dangerous conditions.

If over time, through cleaning and servicing, these embers require replacement, contact your nearest ENVIROGAS dealer for replacement embers.



Gently remove the ember material from the plastic bag. Spreading pieces evenly across the front and rear of the ember tray, place a single layer of embers on top of the front burner.

Carefully avoid any clumping or large build-ups. Do not pack down, leave embers loose.

Place cast ember pieces between the door facing and the ember tray. The curved edge is placed into the firebox. Align the mitered corner edges.

DO NOT PLACE EMBERS ON THE REAR BURNER.

CAUTION: NEVER OPERATE THIS APPLIANCE WITH THE DOOR REMOVED

INSTALLING THE LOGSET

Carefully remove log from box. Check to ensure there is no damage. It is very important to install this log in its proper position to insure safe, optimum operating conditions.

1. Open the front door.
2. Place the logset all the way into the back of the firebox resting on the log supports.
3. Close the door and tighten securely.



Upon the first light up, watch for ignition to **all** burner ports. If a long delay is noted:

- a) First, wait for the appliance to cool down
- b) Open the front door of the appliance.
- c) Check to carefully reposition the embers making sure that burner ports are not plugged solid or blocked.

(See adjusting the venturi section to adjust air for proper flame).

7. OPERATING INSTRUCTIONS

FOR YOUR SAFETY READ BEFORE OPERATING

WARNING: IF YOU DO NOT FOLLOW THESE INSTRUCTIONS EXACTLY, A FIRE OR EXPLOSION MAY RESULT CAUSING PROPERTY DAMAGE, PERSONAL INJURY OR LOSS OF LIFE.

- A) This appliance is equipped with a pilot, which must be lit by hand by following these instructions exactly.
- B) BEFORE LIGHTING smell all around the appliance area for gas, and next to the floor because some gas is heavier than air and will settle on the floor.


WHAT TO DO IF YOU SMELL GAS:

- Do not try to light any appliance.
- Do not touch any electrical switch; do not use any phone in your building.
- Immediately call your gas supplier from a neighbor's phone. Follow the gas supplier's instructions.


- If you cannot reach your gas supplier, call the fire department.

- C) Use only your hand to push in or turn the gas control knob. Never use tools. If the knob will not push in or turn by hand, do not try to repair it. Call a qualified service technician. Force or attempted repair may result in a fire or explosion.
- D) Do not use this appliance if any part has been under water. Immediately call a qualified service technician to inspect the appliance and to replace any part of the control system and any gas control which has been under water

LIGHTING INSTRUCTIONS

1. STOP! Read the safety information above.
2. Turn off all electrical power to the appliance.
3. Turn the gas control knob clockwise to the "off" position. 
4. Open door. **Wait five (5) minutes to clear out any gas.** Close door. If you smell gas including near the floor, **STOP!** Follow "B" in the above safety information.

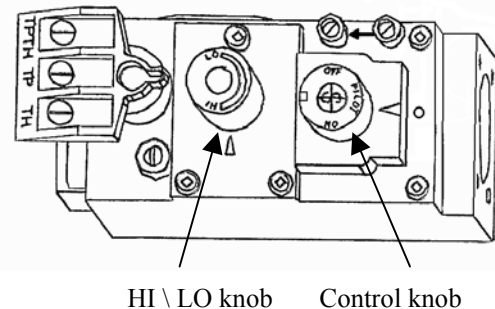
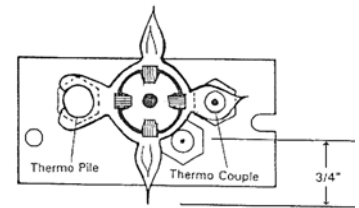
If you don't smell gas go to next step.

5. Find the pilot located to the right between the front and rear burner.
6. Turn gas control knob counter-clockwise to "PILOT". 
7. Push the gas control knob in fully and hold. Immediately light the pilot by pushing the piezo spark igniter. Keep knob depressed for about 30 seconds after pilot is lit. Release knob. If pilot goes out, repeat steps 4 through 6.


WARNING; The gas valve has a lockout device, which will not allow the pilot burner to be re-lit until the thermocouple, has cooled. If the knob does not pop up when released, stop and immediately call your service technician or gas supplier.

NOTE: Check to be sure the pilot flame engulfs the thermocouple and that the burners light completely.

If the pilot will not stay lit after several tries, turn the gas control knob to "OFF" and call you service technician or gas supplier.




HI \ LO knob Control knob

Turn gas control knob counter-clockwise to the "ON" position. 

Flip burner switch to "ON" then turn "HI / LO" knob to the desired setting.

8. Turn on all electrical power to the unit

TO TURN OFF GAS TO

1. Turn the gas control knob clockwise to "OFF" DO NOT FORCE 
2. Turn off all electrical power to the appliance if service is to be performed.
3. Flip burner switch to the off position.

APPLIANCE

8. ROUTINE MAINTENANCE

Periodically check to ensure that the "B-Vent" venting system is clear and that a negative draft is present when the unit is operating.

Periodically check the pilot and burner flames

CLEANING OF GLASS

Do not clean glass when hot

It will be necessary to clean the ceramic glass periodically. During a cold start up condensation will sometimes form on the glass, this is a normal condition with all gas fireplaces and stoves. However, sometimes this condensation can allow dust and lint to cling to the glass surface. Also, sometimes the initial paint curing of the appliance can leave behind a slight film on the glass. This is a temporary problem. It is therefore recommended that the glass be cleaned initially after about the first two weeks of use.

After that, depending upon the amount of use, cleaning should be required no more than two or three times per season.

To clean the door, use a mild glass cleaner and a soft cloth. Abrasive cleaners will damage the glass surface.

OPENING THE GLASS DOOR

Turn unit off and wait until the appliance has cooled down.

1. Open the right hand hinged side flap that will expose a door fastener. Using a 1/2" wrench, loosen off the fastener.
2. Due to the shape of the bay window door. You must also open the left-hand side flap before attempting to open the Bay window door.
3. Ensure the door is properly fastened after cleaning before attempting to re-light the appliance.
4. Remove all fingerprints from all glass before lighting this appliance.

TO REPLACE DOOR AND GLASS ASSEMBLY

The glass in this appliance is an integral part of the door assembly. If the glass is damaged or broken a replacement door assembly including glass must be fitted.

open door fully

- Lift door vertically so that the hinge pins lift out of hinge receivers.
- Return assembly to dealer.

Your ENVIROGAS Dealer must replace door and glass assembly as a complete unit. No substitute materials are allowed.

FOR CLEANING THE INSIDE OF THE FIREBOX

Remove the log set carefully from the firebox. Gently remove the embers and place on a piece of paper towel. Until ready to replace.

Vacuum the firebox thoroughly. Carefully clean off any dust on the logs and remove any lint from the main burner and pilot burner.

After carefully replacing the logs and embers in their correct positions, and the door has been resealed, re-light the pilot, following the instructions on the attached label.

CLEARANCES MUST BE SUFFICIENT TO ALLOW ACCESS FOR MAINTENANCE AND SERVICE

LUBRICATING THE BLOWERS

EVERY 6 MONTHS

1. Turn the unit off and remove the log set.
2. Remove the burner tray assembly by removing the screw on either side of the tray, between the front and rear burners. Lift tray out.
3. Remove the 8 screws that hold the blower mounting plate to the back firewall.
4. Carefully pull the blower assembly into the firebox, exposing the blower lubricating holes (located on the top of the motor housing on either side of the label). Add 2 drops of SAE 20 oil.

If removal of the blower is necessary, disconnect the 2 black blower leads from the terminal block, located on the floor of the fan compartment. Remove the blower.

5. To re-install, check gasket and reverse steps 1 through 4.

9. TROUBLE SHOOTING

Problem	Cause	Solution
Spark will not light the pilot after repeated pressing of spark ignitor	Defective ignitor	Check connections to ignitor -If ignitor connections are good but there is no spark-replace ignitor
	Miss aligned spark electrode	-Check for spark arcing from the electrode to pilot if not adjust by loosening screws on pilot base. Adjust and re-tighten
Pilot will not remain lit	Defective thermocouple	-check for proper connection of thermocouple to rear of valve
	Air in gas line	-bleed line -contact dealer
Burners will not light when valve and burner switch are both on	Defective switch	-check switch connections jump wires at switch
	Defective thermopile	-check connections to valve -check voltage across TP terminals (> 250 MV closed circuit) -contact dealer
	Thermostat set to low / defective	-Turn up the thermostat to start unit. Check thermostat connections
	Defective spill switch or Severe down draft.	-check connections -check draft -contact dealer
Glass fogs up	Normal conditions - after the appliance warms up glass will clear Due to additives in gas glass may dirty	
Blue flames	Normal during start - flame will yellow as the appliance heats up.	
Sooting	Flame impingement	-check log position -increase primary air by opening shutters

10. GAS LINE CONNECTION

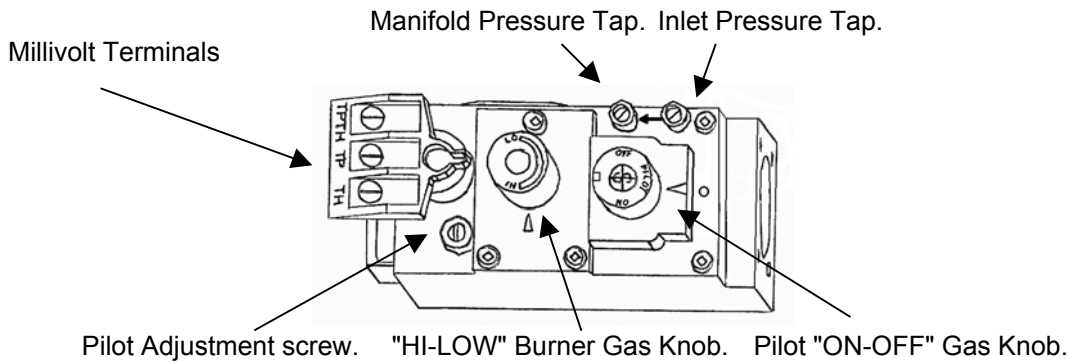
ORIFICE SIZES, PRESSURE AND BTU'S

	<u>NATURAL GAS</u>	<u>PROPANE GAS</u>
FRONT BURNER	#48 (1.93 mm)	#55 (1.32 mm)
REAR BURNER	#41 (2.49 mm)	#54 (1.40 mm)
Manifold pressure.	3.8" wc (.95 kpa)	11" wc(2.74 kpa)
Min. Manifold pressures.	1.1" wc (.27 kpa)	2.7" wc(.67 kpa)
Supply Pressure.	7.0" wc (1.74 kpa)	12" wc (2.98 kpa)
Min. Supply pressures.	5" WC (1.25 kpa)	11.5" WC (2.86 kpa)
Max. BTU/H Input.	38,000 Btu/h (11.1 kW)	38,000 Btu/h (11.1 kW)
Min. BTU/H Input.	20,000 Btu/h (5.9 kW)	20,000 Btu/h (5.9 kW)
Output fan off	27,800 Btu/h (8.14 kW)	28,900 Btu/h (8.46 kW)
Output fan on	29,400 Btu/h (8.6 kW)	30,300 Btu/h (8.86 kW)

WARNING; Only persons licensed to work with gas piping may make the necessary gas connections to this appliance.

NOTE: The gas line connection may be made using 3/8" rigid tubing or an approved flex connector. Since some municipalities have additional local codes it is always best to consult your local authorities and the CAN/CGA-B149 (1 or 2) Installation Code. For USA gas installations follow either local codes or the current edition of the National Fuel Gas Code ANSI.Z223.1.

UPON CONNECTION MARK APPROPRIATE FUEL TYPE ON CANADIAN STANDARDS ASSOCIATION RATING LABEL LOCATED ON THE INSIDE OF THE RIGHT HAND SIDE PANEL.



The appliance and its individual manual shutoff valves must be disconnected from the gas supply piping system during any pressure testing where the pressure exceeds 1/2 PSIG (3.45 kpa) or damage will occur to the valve.

The appliance must be isolated from the gas supply piping system by closing its individual manual shutoff valve during any pressure testing of the gas supply piping system at test pressures equal to or less than 1/2 psig (3.5 kpa).

When using copper or flex connectors use only fittings approved for gas connections.

TO TEST

The pressure taps are located in the top right corner on the valve face (right - inlet, left - manifold pressure).

- Turn set-screw counter clockwise to loosen, 2 turns.
- Place 5/16" hose over pressure tap system.
- When finished, releases pressure, remove hose & tighten set-screw.

Always check for gas leaks with a soap and water solution after completing the required pressure test.

NEVER USE AN OPEN FLAME FOR LEAK TESTING

11. ELECTRICAL REQUIREMENTS

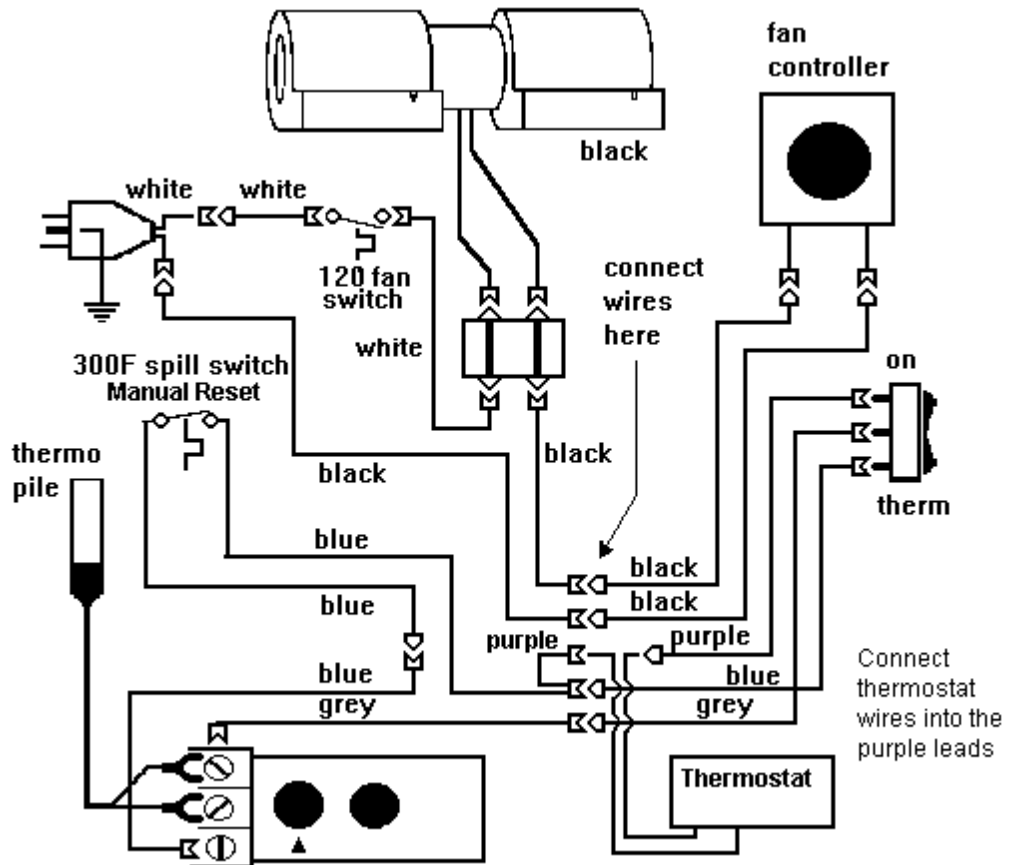
The ENVIROGAS EG-40 FPI. BV. will operate without an external electrical power supply. This model has a Millivolt gas control which uses the pilot flame to generate enough electricity to operate the main burners.

The appliance when installed, must be electrically connected and grounded in accordance with local codes or in the absence of local codes, with the current CSA C22.1 CANADIAN ELECTRICAL CODE Part 1, SAFETY STANDARDS FOR ELECTRICAL INSTALLATIONS, OR THE NATIONAL ELECTRICAL CODE ANSI / NFPA 70 in the USA.

NOTE:

- Operation of the fan increases the efficiency and heat output of the unit.
- This unit is able to operate with a millivolt rated thermostat.
- To connect the thermostat use the two- (2) purple wires in the harness. Install the thermostat in series with the purple wires.

CAUTION Label all wires prior to disconnection when servicing controls. Wiring errors can cause improper and dangerous operation. Verify proper operation after servicing.



WARNING; Electrical grounding instructions. This appliance is equipped with a three-prong (grounding) plug for your protection against shock hazard, and should be plugged directly into a properly grounded three-prong outlet. DO NOT cut or remove the grounding prong from this plug.

INSTALLING REMOTE THERMOSTAT OR WALL SWITCH

RECOMMENDED WIRE SIZE for thermostat installation: 18 gauge, 2 wire solid core, Low Voltage wire. (Bell wire)

1. Install the 18 Gauge wire supplied to the two terminals on the thermostat or remote wall switch.
2. Connect the other end of the wire to the gas valve using the two outside terminals on the front of the gas valve. Use the terminals marked (TP/TH and TH).

**RECOMMENDED MAXIMUM LEAD LENGTH (TWO WIRE)
WHEN USING WALL THERMOSTAT**

WIRE SIZE	MAXIMUM LENGTH
14 GAUGE	100 FEET
16 GAUGE	64 FEET
18 GAUGE	40 FEET
20 GAUGE	18 FEET

12. PARTS AND ACCESSORIES

Service Parts available from your local Envirogas Dealer

Burner Control Assembly
Natural Gas Pilot Assembly
Propane Pilot Assembly
Door Bolt
Relief Door Gasket
Regulating Valve
Piezo Igniter
Burner Switch
B-vent Spill switch 300°F(149°C) MR.
Orifice Blank

Convection Blower
Light Bulb Holder
Light Switch (momentary)
Fan Controller
Log Set (with Embers)
Thermocouple
Embers
Thermopile
Door Gasket
Convection Fan Sensor 120 F (49C)

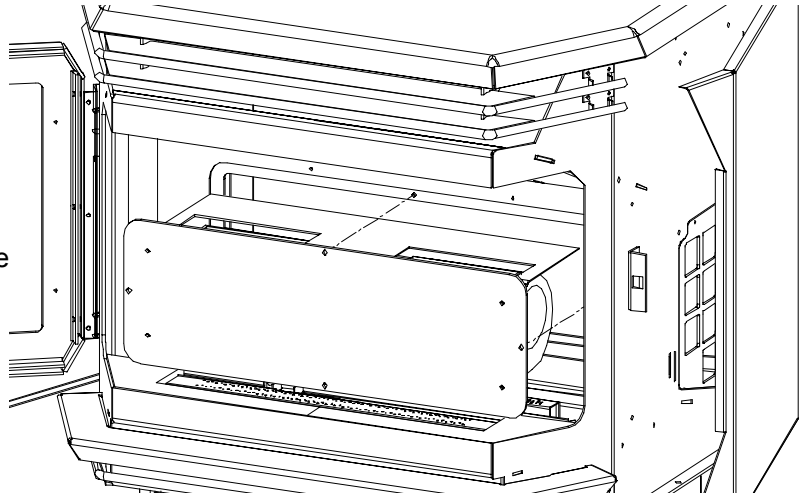
Accessories

Gold trim Package
Low Voltage Thermostat

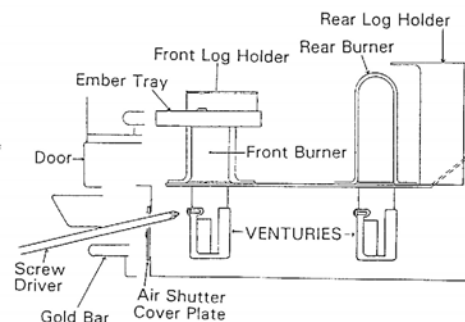
REMOVING or LUBRICATING THE BLOWER

The blower should be lubricated every 12 mos.

1. Turn the unit off and remove the log set.
2. Remove the burner tray assembly by removing the screw on either side of the tray, between the front and rear burners. Lift the tray out. Remove the brick liner by undoing the screw on either side and sliding the panel out.
3. Remove the 4-5/16" bolts that hold the blower mounting plate to the back firewall. Use a light lubricating oil on screws before removal.
4. Carefully pull the blower assembly into the firebox, exposing the blower lubricating holes (located on the top of the motor housing on either side of the label). Add 2 drops of SAE 20 oil.
5. If removal of the blower is necessary, disconnect the blower leads from the harness. Remove the blower.
6. To re-install, check mounting plate gasket and reverse steps 1 through 4.



- There is a separate air shutter for each burner.
- Remove one screw from the cover plate located below the ash shelf. Loosen the other screw (do not remove) swing the cover plate out of the way and tighten screw down to hold it in place.
- With along screwdriver rotate spring clips to open or close the shutter to the desired setting.
- **The burner flame should be a bright yellow/orange when hot. Excessive blue is to lean and dark orange with soot is to rich**



FUEL TYPE CONVERSION

This is a guide to assist you in converting a ENVIROGAS EG-40 gas unit.

If after following our guidelines you cannot properly convert this unit please call our technical department for assistance.

Please read and follow these instructions. Also please read the instruction guide lines provided by S.I.T on how to remove and install the HI-LOW regulator.

STEP 1. Carefully inspect all parts supplied with this conversion kit.

STEP 2. Shut the gas off and disconnect the main gas line from the unit.

STEP 3. Open the door by unscrewing the 1/2" bolt on the right hand side of the stove. Lift door off the hinges mounted on the left-hand side. Remove the two screws on the burner tray located between the front and rear burners.

STEP 4. Undo the four screws that hold the burner assembly in the firebox, remove the burner assembly from the firebox

STEP 5. Change the regulator on the front of the gas valve (follow the instructions provided by S.I.T)

STEP 6. To change the pilot orifice: First. Remove the two-(2) T-20 torx screws that hold the pilot assembly to the burner tray. Lift the pilot assembly from the burner tray. Using a 10-mm wrench, disconnect the pilot line from the pilot assembly and remove the pilot injector. Re-install the pilot new pilot injector.

(BE CAREFUL WHEN TIGHTENING THE PILOT FITTING, YOU COULD BREAK THE CERAMIC IGNITER ELECTRODE).

DO NOT reuse the old pilot assembly gasket, install the new gasket that is supplied

STEP 7. Re-install the pilot assembly in the reverse order of **STEP 5.**

STEP 8. Remove the Two(2) main burner orifices using a 1/2" deep socket

STEP 9. Install the Two-(2) new orifices supplied, making sure that the orifices are in the correct location. Be sure to put a bead of pipe thread sealant or approved Teflon tape on the orifices before installing them into the burner assembly.

STEP 10. Re-install the burner assembly into the unit. Re-install the burner tray, log set and door assembly.

STEP 11. Re connect the gas line to the fireplace and do a leak check using a soap and water solution or an approved manner on the gas supply line and the pilot tubing.

STEP 12. Re-light the appliance to insure proper operation and proper flame appearance. Be sure to adjust the venturi setting to achieve an efficient flame in the fireplace.

STEP 13. MAKE SURE that the sticker provided by S.I.T is installed to signify that this valve has been converted to a different type of fuel. Also make sure that the rating plate has a conversion label to show that this unit has been converted to a different fuel type.

A VISUAL CHECK OF THE REGULATOR IS NECESSARY TO DETERMINE WHETHER OR NOT THE REGULATOR IS THE CORRECT PART. A 50% TURN DOWN REGULATOR WILL HAVE ONE OF THE CORNERS MISSING.

1 50% turn down HI-LOW Regulator w 3 Torx T-20 screws
 1 pilot injector
 2 Main orifices
 1 Pilot assembly mounting gasket

	NATURAL GAS	PROPANE
Pilot Orifice.	0.51 mm	0.35 mm
Burner orifice.	Front #48 Rear #41	Front #55 Rear #54
Venturi Settings	Front 1/8" Rear 3/16"	Front 3/16" Rear 1/2 "

13. WARRANTY

Sherwood Industries Ltd. offers a *Lifetime Warranty on this gas product. The lifetime warranty covers the appliance for a period of seven years from the date of installation. This warranty applies only to the original owner in the original location

Covered under the lifetime warranty are Cabinet Sides, Tops, Pedestals, Surround Panels and Chassis and Heat Exchanger. These steel components are covered against manufacturer's defects for 5 years and labor for the first year and for parts only thereafter. (A) The following exclusions apply:- over-firing due to incorrect setup or tampering, damage caused by incorrect installation, usage or abuse. The unit must be properly installed by a qualified technician or installer, and must meet all local and national gas and building code requirements.

We also cover against manufacture defects under our lifetime warranty. The following components, Gold Plating, Log Set, Burners and Glass (A) The following exclusions apply: Gold plating- Damage caused by scratching, marring, chemicals, fingerprints, abrasive cleaners or discoloration with age. Glass- use of harsh or abrasive cleaners, striking the glass or surface contaminates. Logset- Damage caused by incorrect handling or misuse. Burners- damage caused by improper or continuous operation under incorrect conditions.

Sherwood Industries Ltd. offers a 2-year warranty on all the Electrical Components and Gas Components against manufacturing defects. Paint is covered against flaking. This offer includes parts and labor for 1 year and for parts only thereafter.

The paint on the Metal Brick Liner may peel. This is due to the extreme conditions applied to the paint and is no way covered under warranty.

Your dealer shall make all claims under this warranty in writing.

(A): TO A MAXIMUM OF SEVEN YEARS

WHEN FILING A WARRANTY CLAIM PLEASE COMPLETE THE FOLLOWING INFORMATION ON AN OFFICIAL WARRANTY CLAIM FORM:

To the Dealer

- Name, address and telephone number of purchaser and date of purchase.
- Date of installation. Name of installer and dealer. Serial number of the appliance. Nature of complaint, defects or malfunction, description and part # of any parts replaced.

To the Distributor

- Sign and verify that work and information are correct.

This warranty covers defects in materials and workmanship only if the product has been installed according to the manual's instructions. If the product is damaged or broken as a result of misuse or mishandling the warranty does not apply. The warranty does not cover removal and re-installation costs.

Sherwood Industries Ltd. reserves the right to repair or to replace the defective product. The shipping costs are to be paid by the consumer. All warranties by the manufacture are set forth herein and no claim shall be made against the manufacturer on any oral warranty or representation.

Sherwood Industries Ltd. and its employees or representatives will not assume any damages, either directly or indirectly caused by improper usage, operation, installation, servicing or maintenance of this appliance.

Sherwood Industries Ltd. reserves the right to make changes without notice. Please complete and mail the warranty registration card and have the installer fill in the installation data sheet in the back of the manual for warranty and future reference.

14. INSTALLATION DATA SHEET

The installer for warranty purposes and future reference must record the following information.

Model: EG 40 FPI

Name of Owner:

Address:

Phone: _____

Name of Dealer:

Address:

Phone: _____

- Model : _____
- Serial Number: _____
- Date of Purchase: _____/_____/_____
- Date of Installation: _____/_____/_____
- ___ Natural Gas (Nat.), ___ Propane (LPG)
- Inlet Gas Supply Pressure: _____ in. WC.

If the orifices were changed by the installer.

- Front Burner Orifice # _____ ,
Back Burner Orifice # _____ .
- Pilot Orifice # _____ or _____ in.Dia.

Installer's Signature

Name of Installer:

Address:

Phone : _____

E-MAIL ADDRESS (envirofire@home.com)
WEB SITE ADDRESS ([www. Enviro-fire.com](http://www.Enviro-fire.com))

MANUFACTURED BY:
SHERWOOD INDUSTRIES, 6782 OLDFIELD RD., SAANICHTON, B.C., CANADA, V8M 2A3