



If you have the Artist or Professional model and are using LaserSoft SilverFast 4.0, you'll find the electronic manual for that scanner software on the LaserSoft SilverFast CD-ROM.

4

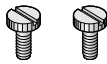
Using the Auto Document Feeder - B813162

The auto document feeder (part number B813162) automatically loads multiple-page documents into your scanner. It is particularly useful for OCR (optical character recognition) scanning or for creating an image database. Follow the steps in these sections to install and use the ADF:

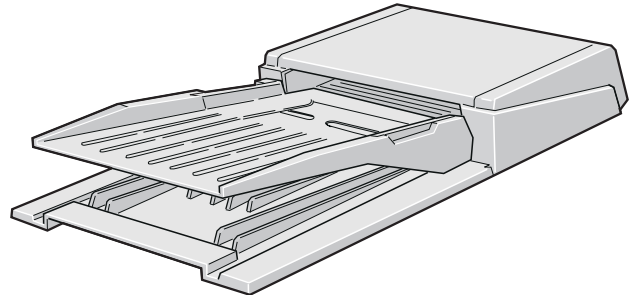
- ▶ [Unpacking the Auto Document Feeder](#)
- ▶ [Installing the Auto Document Feeder](#)
- ▶ [Loading Paper in the Auto Document Feeder](#)
- ▶ [Fixing Paper Jams in the Auto Document Feeder](#)

Unpacking the Auto Document Feeder

Make sure that the following items are included in the ADF box. Contact your EPSON dealer if anything is missing or damaged.



installation
screws



auto document feeder



To use the ADF, you must install EPSON TWAIN Pro. LaserSoft SilverFast Lite does not support the ADF.

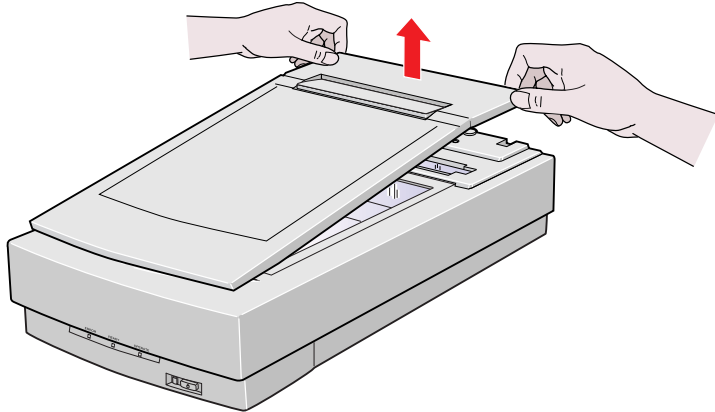
Installing the Auto Document Feeder

Before installing the ADF, be aware that:

- ▶ The ADF is large, so clear a wide space around the scanner before unpacking and installing it.
- ▶ Don't remove the protective foam block from the ADF's mounting hardware until you've finished installing it.

Follow the steps below to install the ADF on your scanner:

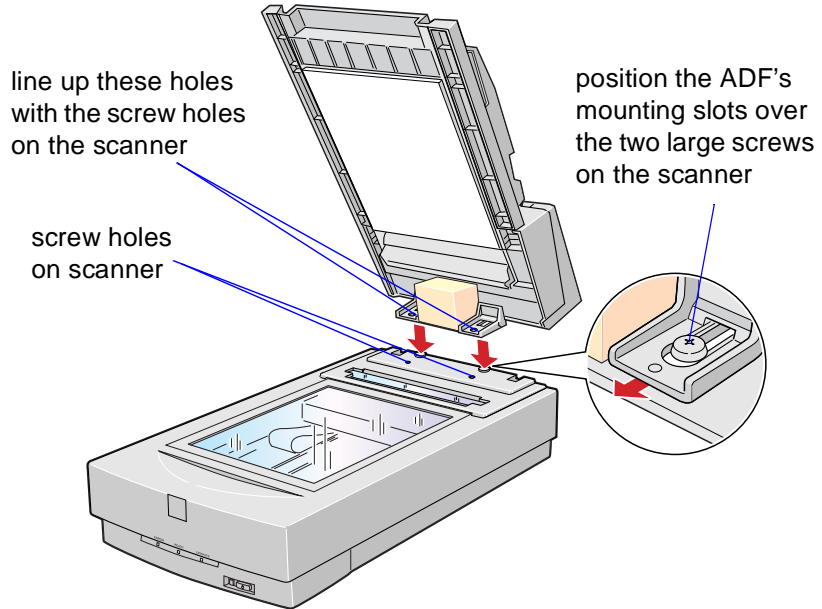
- 1 Turn your scanner off and unplug the cables and power cord.
- 2 Remove the document cover by grasping the back of the document cover as shown and easing the cover up.



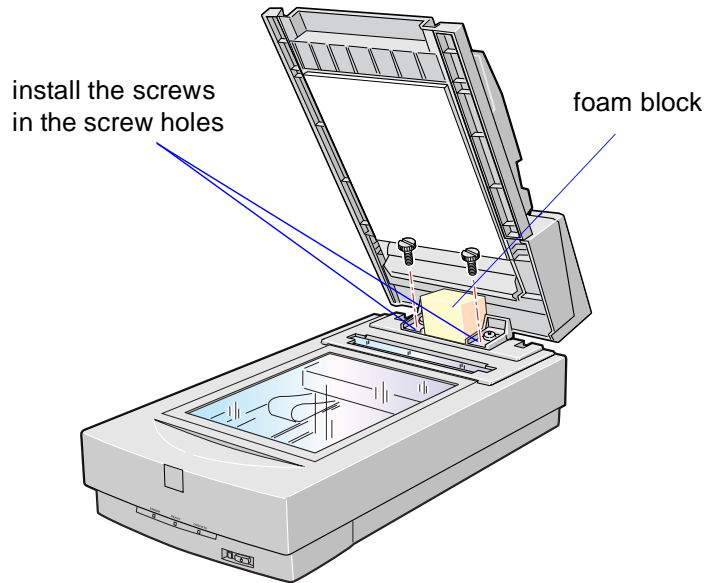


Do not remove the protective foam block until you've finished tightening the ADF's installation screws (see step 4.)

- 3 Position the ADF's mounting slots over the two mounting screws located at the back of the scanner. Slide the ADF forward slightly until the two holes in front of these slots are aligned with the screw holes at the back of the scanner.

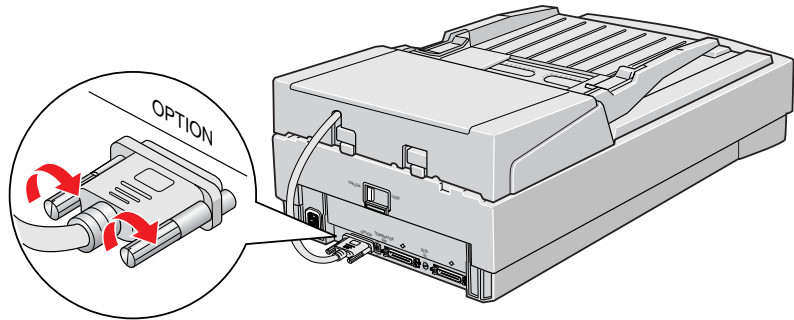


- 4 Insert the two installation screws that came with the ADF into the screw holes, then tighten the screws with a coin.



- 5 Remove the protective foam block from the ADF's mounting hardware and gently close the ADF.

- 6 Attach the ADF's connector to the scanner's option interface. Secure the connection by tightening the connector screws.



- 7 Reattach all the scanner cables and turn on the scanner.



Do not feed photographic sheets or valuable original artwork into the ADF; misfeeding may result in accidental wrinkling or damage to your original.

Also, photo quality and glossy paper are too thick to feed into the ADF successfully.

Loading Paper in the Auto Document Feeder

The ADF can hold up to 30 sheets of the following paper sizes, based on a paper weight of 17 lb and a thickness of 0.2 inch (6.0 mm) or less:

Checks:	3 × 5 inches (76 × 127 mm)
B5:	7.17 × 10.1 inches (182 × 257 mm)
A4:	8.27 × 11.69 inches (210 × 297 mm)
Letter:	8.5 × 11 inches (215.9 × 279.4 mm)
Legal:	8.5 × 14 inches (215.9 × 355.6 mm)

Before loading the ADF, make sure the document:

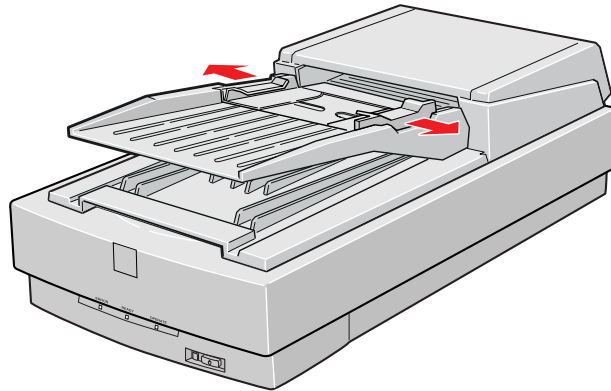
- ▶ Has no wet ink on it.
- ▶ Has no holes and is not ripped or wrinkled.
- ▶ Has no staples or other objects attached that may damage the feeder.
- ▶ Has no folds.
- ▶ Is not a multipart form.
- ▶ Is not bound.
- ▶ Is not printed on photo quality or glossy paper.
- ▶ Has no carbon coating.
- ▶ Has no cut-out areas.



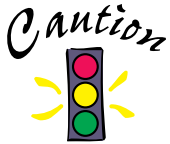
For checks, move the left edge guide toward the center until it stops, then place your checks in the tray. Move the right edge guide flush against the checks.

Follow the steps below to load paper in the ADF:

- 1 Slide the edge guides all the way out.



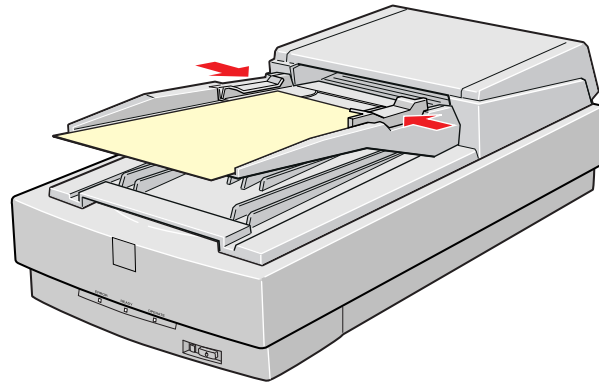
- 2 Arrange your stack of originals face up, with the page you want to scan first on the top. Insert the paper stack into the ADF until it meets resistance. Make sure that the side you want to scan is facing up.



When scanning high-quality color or halftone documents, it is best to open the ADF and scan documents as described in [Loading documents manually](#).

Don't open the ADF while scanning. You'll get an option error and possibly a paper feeding error.

- 3 Slide the edge guides to the edges of your paper.



- 4 Follow the steps in your electronic *EPSON TWAIN Pro User's Guide* to scan your document.

Loading documents manually

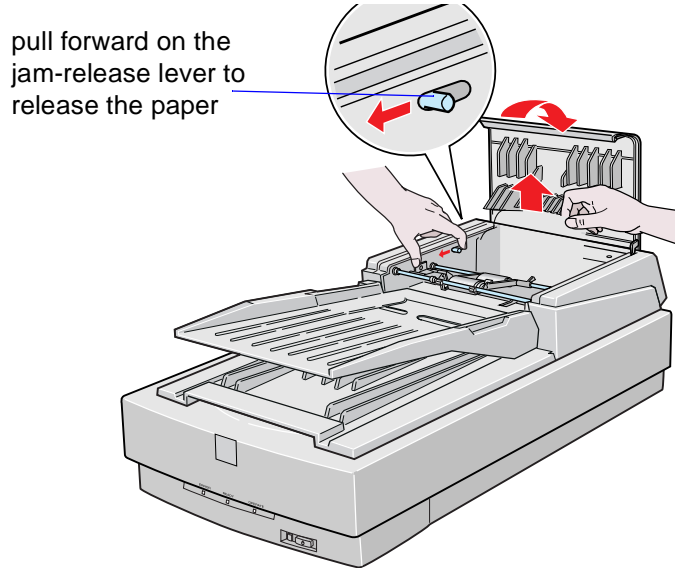
You can load documents manually while the ADF is installed. Lift the ADF and place the document on the document table. Then close the ADF and scan the document as described in your electronic *EPSON TWAIN Pro User's Guide* (located in the Manuals folder on your EPSON Expression 800 Scanning Tools CD-ROM.)



Be careful not to pull too hard on the paper. It may tear, making it more difficult to remove.

Fixing Paper Jams in the Auto Document Feeder

If there is a paper jam, open the ADF's cover to see where the paper jam occurred. Pull the jam-release lever forward and slowly pull the jammed paper out of the feeder mechanism.



After removing the jammed paper, close the ADF cover and reset the scanner by turning it off and on again or pressing the **RESET** button.