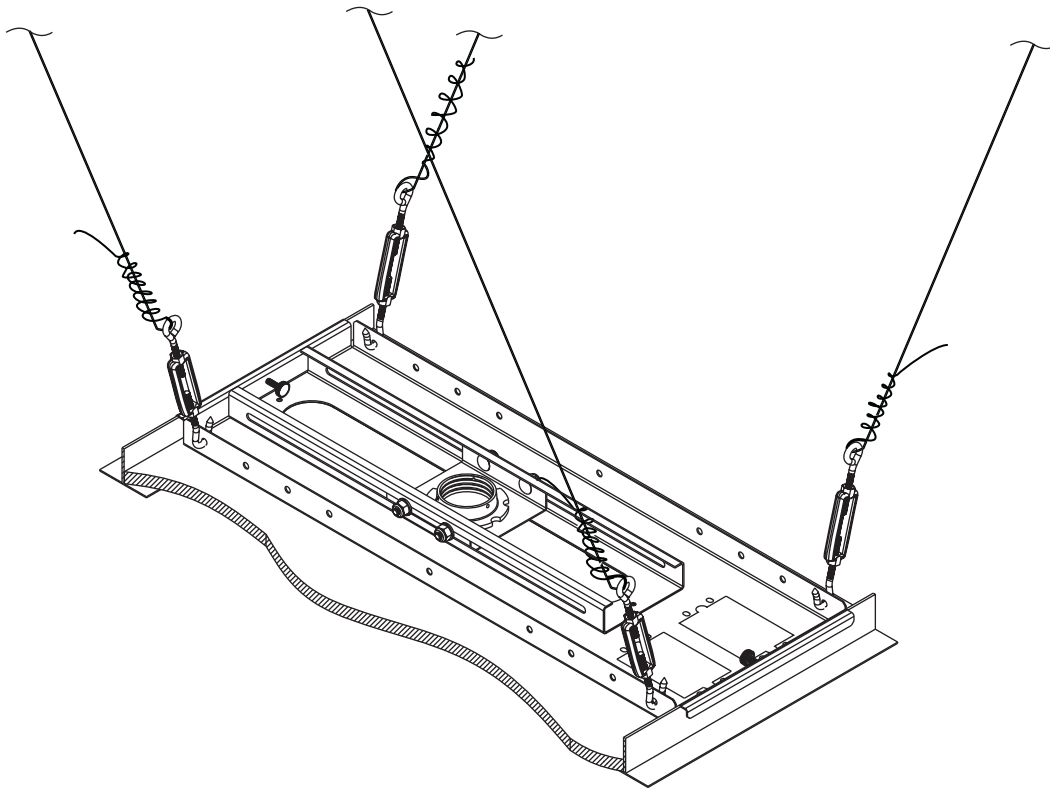


Installation and Assembly: Adjustable Suspended Ceiling Channel Kit

Model: ELPMBP01



This product is UL Listed. It must be installed by a qualified professional installer.



Maximum UL Load Capacity: 50 lb (22.6 kg)

NOTE: Read entire instruction sheet before you start installation and assembly.

⚠ WARNING

- Do not begin to install your product until you have read and understood the instructions and warnings contained in this Installation Sheet. If you have any questions regarding any of the instructions or warnings, call Peerless customer care at 1-800-729-0307.
- This product should only be installed by someone of good mechanical aptitude, has experience with basic building construction, and fully understands these instructions.
- Make sure that the supporting surface will safely support the combined load of the equipment and all attached hardware and components.
- Never exceed the Maximum UL Load Capacity.
- Always use an assistant or mechanical lifting equipment to safely lift and position equipment.
- Tighten screws firmly, but do not overtighten. Overtightening can damage the items, greatly reducing their holding power. See suggested torque values where applicable within these instructions.
- This product is intended for indoor use only. Use of this product outdoors could lead to product failure and personal injury.
- When installing or adjusting the ceiling mount, do not use adhesives, lubricants or oils to prevent the screws from loosening. If you use adhesives, lubricants, or oils to prevent the screws from loosening, the casing may crack and the projector may fall, causing serious injury and damage to the projector.

Tools Needed for Assembly

- stud finder ("edge to edge" stud finder is recommended)
- phillips screwdriver
- hammer
- wire cutters
- drill
- 1/4" bit for concrete surface
- 5/32" bit for wood studs

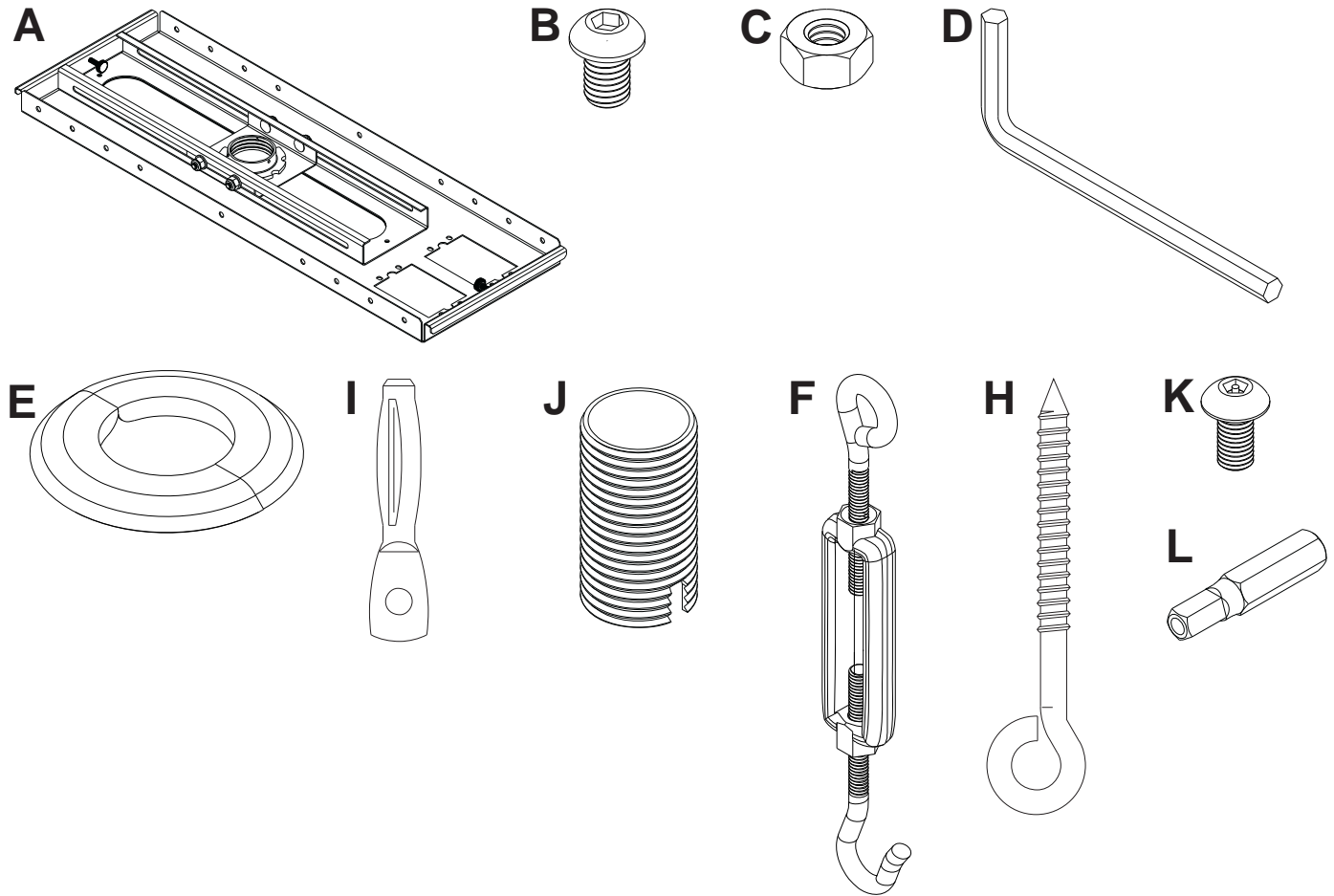
Table of Contents

Parts List	3
Installation to Suspended Ceiling	4
Anchoring Ceiling Plate	5
Warranty Information	6

Before you start check the parts list to insure all of the parts shown are included.
NOTE: You may not need all hardware provided.

Parts List		
	Description	Qty. Part #
A	ceiling tray	1 055-0492
B	1/4"-20 x 3/8" screws	4 520-2015
C	1/4"-20 nuts	4 530-9302
D	allen wrench	1 560-9706
E	escutcheon ring	1 1418-001A
F	turnbuckle	4 560-9620
G	12 gauge x 20' (6.1m) tie wire (not shown)	1 600-2008
H	eye bolt	5 580-0006
I	concrete anchor	5 580-0005
J	flush mount tube	1 1446-014
K	M5 x 10 mm penta pin screw	1 505-9010
L	M5 x 1" penta pin driver	1 520-9249

NOTE: Some parts may appear slightly different than illustrated.



Installation to Suspended Ceiling

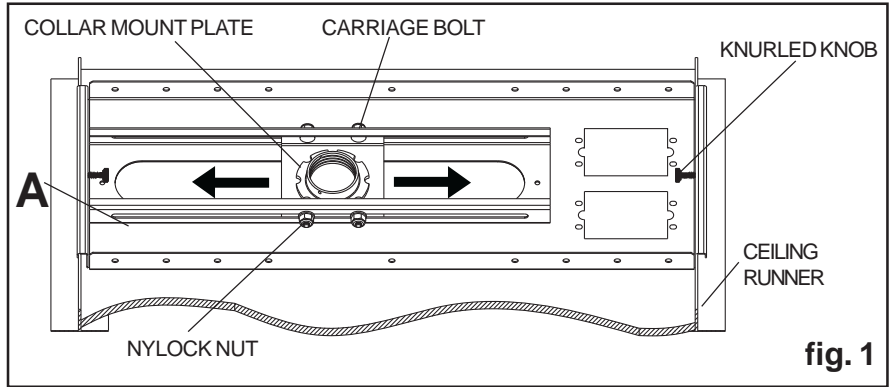
IMPORTANT PRE-ASSEMBLY INFORMATION:

Ceiling Tray (A) is designed to fit above a 24" (610 mm) x 24" (610 mm) section of a conventional suspended ceiling system. It may also be mounted above 24" x 48" conventional suspended ceiling. Ceiling runners (see **DETAIL 2, page 5**) should have a "T" cross section and a minimum height of 1.5" (38 mm).

For certain installations it may be best to install ceiling anchors (**step 5**) before installing the ceiling tray (**step 1**).

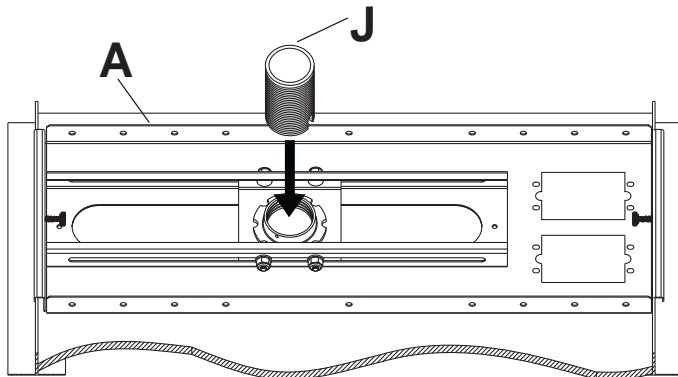
- 1 Place ceiling tray (A) in grid above 24" x 24" or 24" x 48" false ceiling tile so that lip of ceiling tray (A) rests on ceiling runners as shown in **figure 1**. Place in desired position and tighten knurled knobs until ceiling tray (A) is securely attached to ceiling runners.

Slide collar mount plate to desired position. Using hole in collar mount plate, mark false ceiling tile where hole will be cut. Slide collar mount plate out of the way. Cut out 2.25" hole in false ceiling tile. Slide collar mount plate back into position and tighten all carriage bolts and nylock nuts using a 7/16" wrench.



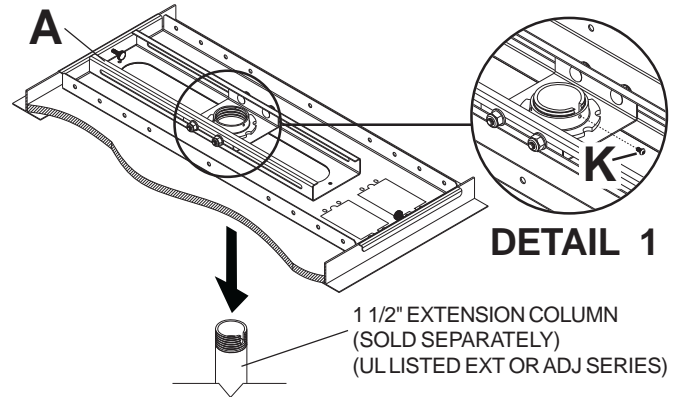
For Flush Mounting Applications

- 2 From the top down, thread flush mount tube (J) down through retaining collar in adjustable collar mount plate.
Skip to step 3.

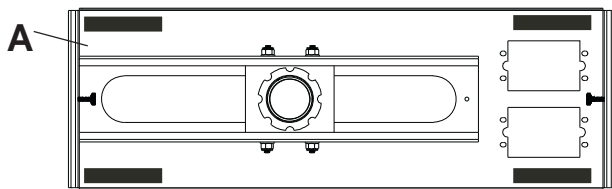


For Extension Column Applications

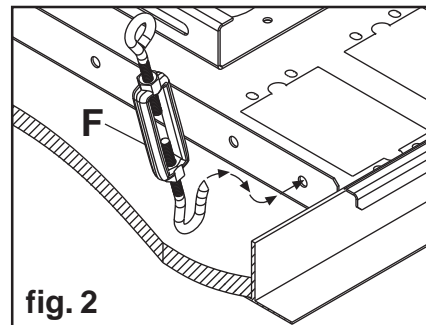
- 2 From the bottom up, thread extension column (not included) up through retaining collar in adjustable collar mount plate. Align notch in extension column with hole in collar and fasten using M5 x 10 mm security screw (K) as shown in **detail 1**.



- 3 Snap escutcheon ring (E) around flush mount tube or extension column and slide up until flush with ceiling tile. Hook turnbuckles (F) into ceiling tray (A) as shown in **figure 2**. Hook turnbuckles through ceiling tray (A) where indicated by black rectangles in illustration below.



TOP VIEW - CEILING TRAY
Black rectangles show correct positions for Turnbuckles.



Anchoring Ceiling Plate

4 Cut tie wire (**G**) into four pieces of equal length. Insert wires through ends of turnbuckles and loop. Twist each wire around itself at least six times.

Drill holes for four ceiling anchors (see "Various Anchoring Methods"). Position the holes so that when the tie wires (**G**) are attached and taut will angle out at 15°.

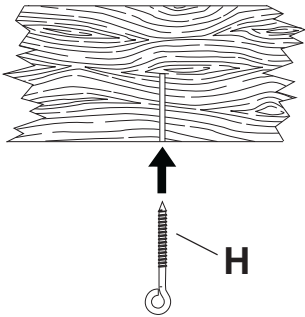
Pull tie wires tight and loop through turnbuckles of the ceiling anchors (or truss). Again twist each wire around itself at least six times.

When this step is complete, the weight of the ceiling tray should be supported by the tie wires.

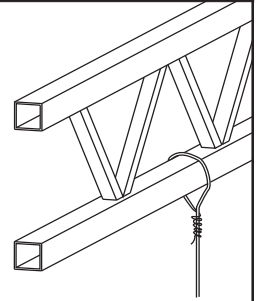
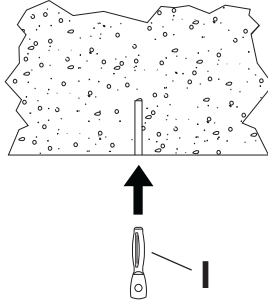
NOTE: 20' (6.1 m) of tie wire (**G**) is provided. If space between the true ceiling and suspended ceiling is more than 36" (914 mm), additional wire (12 gauge annealed, steel, black) will be needed.

VARIOUS ANCHORING METHODS

Wood Joists or Beams
 Drill 5/32" (4mm) dia. holes 2" (51mm) deep. Fully insert eye bolts (**H**).



Solid Concrete
 Drill 1/4" (6 mm) dia. holes 1.5" (38 mm) deep. Hammer in Concrete Anchor (**I**) using Rawl #3250 setting tool or equivalent.



Truss Ceiling

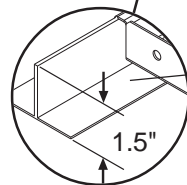
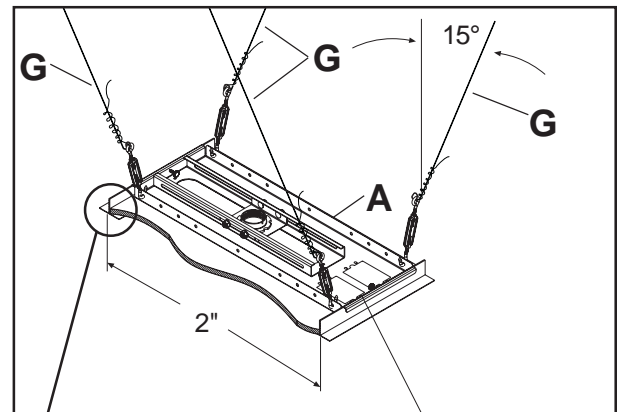
No anchor required. After attaching tie wire to turnbuckle loop upper end around ceiling truss. Pull tie wire tight and twist it around itself at least six times.

⚠ WARNING

- It is the responsibility of the installer to verify that the ceiling to which the suspended ceiling kit is anchored will safely support four times the combined weight of all attached components (Projector Mount, Extension Column, etc.) and equipment.

5 Suspended Ceiling Kit installation is now complete. After all components (Projector Mount, Extension Column, etc.) and equipment have been attached, tension the tie wires by adjusting turnbuckles (**F**).

NOTE: Load must be carried by tie wires - not suspended ceiling runners.



CEILING RUNNER

KNOCK-OUTS ARE PROVIDED FOR ELECTRICAL OUTLET BOXES AND ANTENNA LEADS.

DETAIL 2

LIMITED FIVE-YEAR WARRANTY

Peerless Industries, Inc. establishes a warranty period of five years for products manufactured or supplied by Peerless. This period commences from the date of sale of the product to the original consumer, but will in no case last for more than six years after the date of the product's manufacture. During the warranty period such products will be free from defects in material and workmanship, provided they are installed and used in compliance with the instructions established by Peerless Industries, Inc. Subject to applicable legal requirements, during the warranty period Peerless will repair or replace, or refund the purchase price of, any such product which fails to conform with this warranty.

Any other warranties prescribed by the law which may apply with respect to such products also are limited in duration to the warranty period specified in this Limited Five-Year Warranty.

This warranty does not cover damage caused by (a) service or repairs by the customer or a person who is not authorized for such service or repairs by Peerless Industries, Inc., (b) the failure to utilize proper packing when returning the product, (c) incorrect installation or the failure to follow Peerless' instructions or warnings when installing, using or storing the product, or (d) misuse or accident, in transit or otherwise, including in cases of third party actions and force majeure.

In no event shall Peerless be liable for incidental or consequential damages or damages arising from the theft of any product, whether or not secured by a security device which may be included with the product.

This Limited Five-Year Warranty is in lieu of all other warranties, expressed or implied, and is the sole remedy with respect to product defects. No retailer, dealer, distributor, installer or other person is authorized to modify or extend this warranty or impose any obligation on Peerless in connection with the sale of any product manufactured or supplied by Peerless.

This warranty gives specific legal rights, and you may also have other rights provided by the national legislation of the country in which you purchased such product.

peerless[®]
www.peerlessmounts.com

© 2007 Peerless Industries, Inc.

ISSUED 03/17/06 LIT-0190E