

EPSON®

Stylus® COLOR
COLOR INK JET PRINTER

All rights reserved. No part of this publication may be reproduced, stored in a retrieval system, or transmitted in any form or by any means, electronic, mechanical, photocopying, recording, or otherwise, without the prior written permission of Seiko Epson Corporation. No patent liability is assumed with respect to the use of the information contained herein. Neither is any liability assumed for damages resulting from the use of the information contained herein.

Neither Seiko Epson Corporation nor its affiliates shall be liable to the purchaser of this product or third parties for damages, losses, costs, or expenses incurred by purchaser or third parties as a result of: accident, misuse, or abuse of this product or unauthorized modifications, repairs, or alterations to this product, or (excluding the U.S.) failure to strictly comply with Seiko Epson Corporation's operating and maintenance instructions.

Seiko Epson Corporation shall not be liable against any damages or problems arising from the use of any options or any consumable products other than those designated as Original EPSON Products or EPSON Approved Products by Seiko Epson Corporation.

EPSON Connection is a service mark of Epson America, Inc.

EPSON and EPSON Stylus are registered trademarks of Seiko Epson Corporation.

General Notice: Other product names used herein are for identification purposes only and may be trademarks of their respective owners. EPSON disclaims any and all rights in those marks.

Copyright © 1994 by Epson America, Inc.



Printed on recycled paper

FCC Compliance Statement For United States Users

This equipment has been tested and found to comply with the limits for a Class B digital device, pursuant to Part 15 of the FCC Rules. These limits are designed to provide reasonable protection against harmful interference in a residential installation. This equipment generates, uses, and can radiate radio frequency energy and, if not installed and used in accordance with the instructions, may cause harmful interference to radio or television reception. However, there is no guarantee that interference will not occur in a particular installation. If this equipment does cause interference to radio and television reception, which can be determined by turning the equipment off and on, the user is encouraged to try to correct the interference by one or more of the following measures.

- Reorient or relocate the receiving antenna.
- Increase the separation between the equipment and receiver.
- Connect the equipment into an outlet on a circuit different from that to which the receiver is connected.
- Consult the dealer or an experienced radio/TV technician for help.

WARNING

The connection of a non-shielded equipment interface cable to this equipment will invalidate the FCC Certification of this device and may cause interference levels which exceed the limits established by the FCC for this equipment. It is the responsibility of the user to obtain and use a shielded equipment interface cable with this device. If this equipment has more than one interface connector, do not leave cables connected to unused interfaces. Changes or modifications not expressly approved by the manufacturer could void the user's authority to operate the equipment.

For Canadian Users

This digital apparatus does not exceed the Class B limits for radio noise emissions from digital apparatus as set out in the radio interference regulations of the Canadian Department of Communications.

Le présent appareil numérique n'émet pas de bruits radioélectriques dépassant les limites applicables aux appareils numériques de Classe B prescrites dans le règlement sur le brouillage radioélectrique édicté par le Ministère des Communications du Canada.

Apple Warranty Disclaimer

Apple Computer, Inc. ("Apple") makes no warranties, express or implied, including without limitation the implied warranties of merchantability and fitness for a particular purpose, regarding the Apple software. Apple does not warrant, guarantee or make any representations regarding the use or the results of the use of the Apple software in terms of its correctness, accuracy, reliability, currentness or otherwise. The entire risk as to the results and performance of the Apple software is assumed by you. The exclusion of implied warranties is not permitted by some states. The above exclusion may not apply to you.

In no event will Apple, its directors, officers, employees or agents be liable to you for any consequential, incidental or indirect damages (including damages for loss of business profits, business interruption, loss of business information, and the like) arising out of the use or inability to use the Apple software even if Apple has been advised of the possibility of such damages. Because some states do not allow the exclusion or limitation of liability for consequential or incidental damages, the above limitations may not apply to you. Apple's liability to you for actual damages from any cause whatsoever, and regardless of the form of the action (whether in contract, tort (including negligence), product liability or otherwise), will be limited to \$50.

Contents

Introduction

About this Manual	1
Getting the Most Out of Your Printer	2
Resolution	2
Paper	2
MicroWeave	3
High-Speed Mode	4
Deciding what printer settings to use	4
Where to Get Help for U.S. and Canadian Users	5

Chapter 1 Setting Up the Printer

System Requirements	1-2
Installation	1-2
Unpacking the printer	1-3
Attaching the input tray and output tray supports	1-4
Plugging in and turning on the printer	1-5
Installing the ink cartridges	1-5
Loading plain paper	1-10
Testing the printer	1-12
Connecting the printer to your Macintosh	1-12
Installing the Macintosh driver	1-13
Choosing the Stylus COLOR printer	1-16
Calibrating the printer	1-17

Chapter 2 Controlling the Printer

Changing Printer Settings	2-2
Using the Printer Driver	2-3
Controlling the color and halftone settings	2-4
Controlling print quality	2-5
Controlling visual effects	2-7
Selecting paper sizes	2-7
Using the Control Panel	2-9
Lights	2-10
Buttons	2-11
Using the EPSON Monitor Utility to Manage Print Jobs	2-12

Chapter 3 Paper Handling

Choosing Paper	3-2
Loading Special Coated Paper and Transparencies	3-3
Loading Envelopes and Heavy Paper	3-4

Chapter 4 Maintenance and Troubleshooting

Cleaning the Print Heads	4-2
Replacing an Ink Cartridge	4-3
Transporting the Printer	4-6
Troubleshooting	4-7
Print quality problems	4-8
Problems with printing	4-10
Paper handling problems	4-12

Appendix A Using the LocalTalk Interface

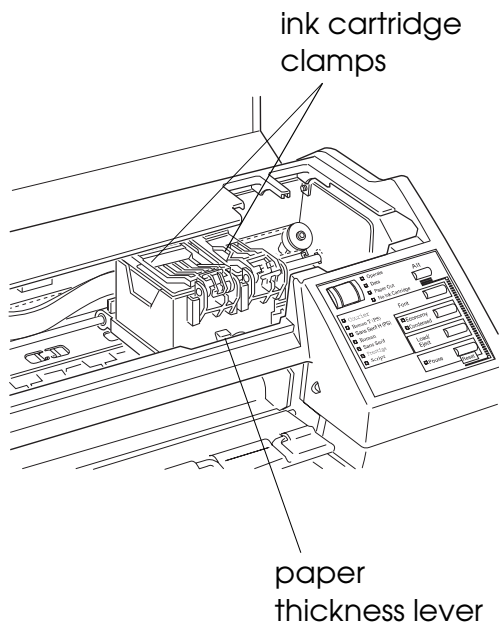
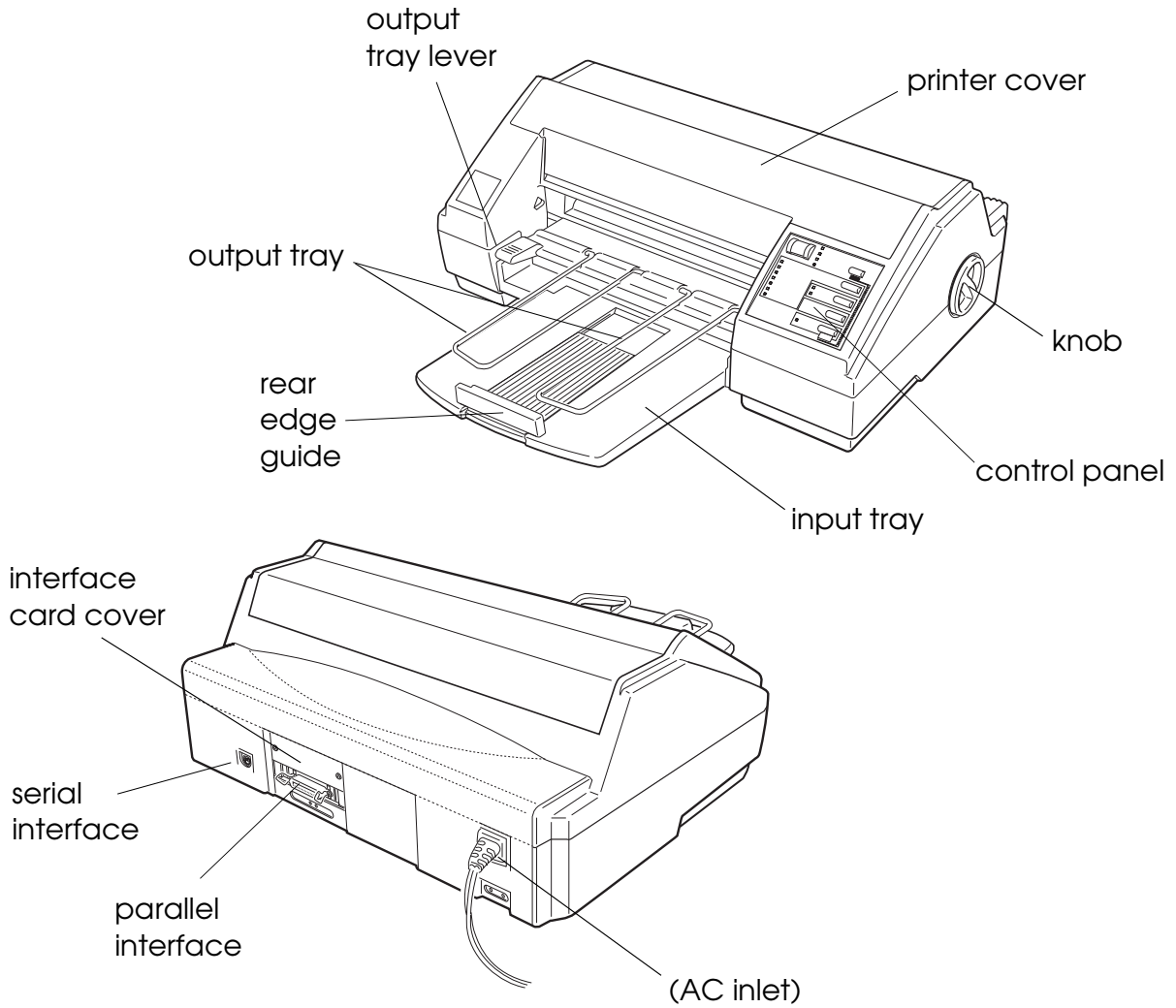
When to Use the Optional LocalTalk Interface	A-2
Installing the Optional LocalTalk Interface Board	A-2
Assigning a Name to the Printer	A-4
Turning on the Printer's Network Mode	A-4

Appendix B **Technical Specifications**

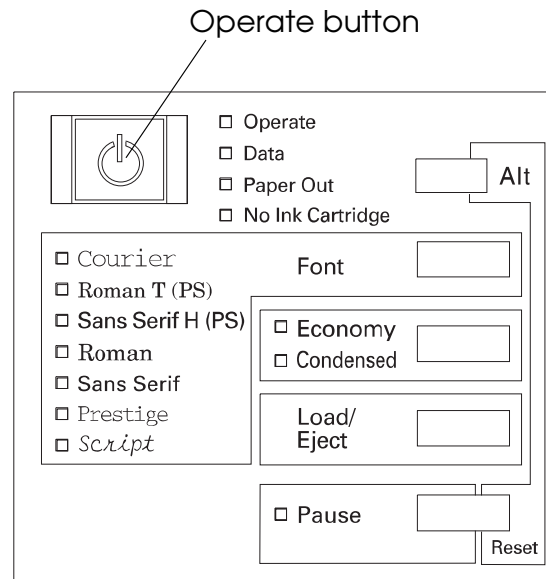
Printing B-2
Paper B-3
Ink Cartridges B-6
Mechanical B-7
Electrical B-7
Environmental B-8
Safety Approvals B-8

Index

Printer Parts



Control Panel



Changing Printer Settings

The printer settings allow you to control your print job. With them you can specify the number of copies, a page range, and the paper size. You can also specify high-quality by turning on MicroWeave or fast printing by turning on High Speed.

All printer settings have default settings that are sufficient for most print jobs. For this reason, you do not need to change printer settings often. The only times you need to change printer settings are to do the following:

- Print multiple copies or specify a specific page range (such as pages 2 through 6). By default, the printer prints one copy of all pages.

- Change the resolution from 360 dpi to 720dpi or 180 dpi.

- Turn on MicroWeave and turn off High Speed for the highest possible quality. MicroWeave is turned on automatically when you select 720 dpi.

- Use coated or transparency paper. The default is normal copier paper. When using coated paper or transparencies, change the paper type.

- Use a paper size other than letter (8.5 x 11 inches). By default the printer is set up to print letter size paper. For all other paper sizes, you need to change the paper size setting or define a new one.

Additional printer settings are described later in this chapter.

Almost always, you use the printer driver to change the resolution and color settings. However, other printer settings are also available through the printer's control panel. You use the control panel to do the following:

Turn the printer on and off

Turn on economy mode

Clean the black and color print heads

Pause the printer temporarily.

For more information about the control panel, see "Using the Control Panel" later in this chapter.

Introduction

The EPSON® Stylus® COLOR is a high-quality, high-resolution ink jet printer that can print up to 16 million colors at a resolution of 720 dpi to produce full-color, near-photographic images. It also produces realistic grayscale images and sharp text and line art.

The printer is quiet and easy to install and use. You simply set it up and connect it to your Apple® Macintosh® as described in Chapter 1.

Both a serial and a parallel interface are provided. You can use both interfaces to simultaneously connect the printer to a Macintosh and a PC. The printer automatically switches between interfaces as print data is received.

An optional EPSON Talk kit, which contains a LocalTalk® interface board, is available for connecting the printer to an AppleTalk® network so it can be shared by multiple Macintosh computers. If you install the LocalTalk board, you can use all three interfaces—serial, parallel, and LocalTalk—simultaneously. See Appendix A for more information about the LocalTalk interface.

About this Manual

This manual provides all the information you need for using your Stylus COLOR with a Macintosh. If you have a PC, see the PC user's guide, which is also provided with the printer.

For information about using color effectively, choosing paper, and other tips that will help you get the results you want, see the *Color Printing Tips* booklet. Although this booklet was written for the Microsoft® Windows™ driver, it provides many helpful tips on using color that you may find useful.

Getting the Most Out of Your Printer

Color printing takes time. How much time depends on the type of image and the final output quality you require. Simple graphics such as bar graphs print quickly. Complex graphics such as grayscale or full-color images take longer, especially when you want the highest possible quality. For this reason, the printer driver settings allow you to exactly specify the level of print quality and the print speed.

Resolution

The printer offers three resolutions: 720, 360, and 180 dpi. Each resolution has its advantages.

Printing at 720 dpi provides the highest possible quality. Use this resolution when you require near-photographic results. Special coated paper is required for 720-dpi printing.

For good quality images in less time, use 360-dpi resolution. This setting is the default and is sufficient for most print jobs.

When speed is more important than quality, use 180-dpi resolution. This resolution provides sufficient quality for draft documents and is faster than the other resolutions.

Paper

One of the keys to getting great results with your Stylus COLOR is selecting the right paper. Paper absorbency is especially important. With paper that is too absorbent, the ink can bleed slightly, causing characters and the edges of images to blur. However, with paper that is not absorbent enough, the ink may take too long to dry and smear easily.

Although you can achieve satisfactory results with most plain paper, coated papers give you better results because they reduce the amount of ink that is absorbed. You will not achieve 720 dpi unless you use special coated paper for 720 dpi.

EPSON provides special coated papers that are formulated specifically for the inks used in this printer. These papers are part of the complete EPSON printing system, in which the printer inks, papers, and software driver all work together to deliver the world's finest color ink jet output. For this reason, you will get the best results when you use special EPSON papers. See Chapter 3 for more information about choosing paper.

If you use paper from other manufacturers, you should test a few sheets before buying large quantities. Also, check the finish and thickness before purchasing paper. Avoid paper that has a rough finish or that is too thick or thin.

MicroWeave

The printer's MicroWeave feature is a special printing mode you can use to enhance your printed output. When MicroWeave is on, the printer selectively applies ink in an intricate pattern to eliminate the banding that can sometimes occur in normal mode.

Since the MicroWeave mode slows the print speed, turn it off for fast printing.

High-Speed Mode

When High-Speed Mode is on, the printer prints in bidirectional mode: it prints a line from right to left and the next line from left to right. If High-Speed Mode is not on, all lines are printed in the same direction.

Printing is faster when High-Speed Mode is on. However, the vertical alignment may not be as precise. For this reason, turn off High-Speed Mode when you need to increase print quality.

Deciding what printer settings to use

To get the highest-quality printing, use 720-dpi resolution and make sure MicroWeave is on and High-Speed Mode is off. Be sure to use EPSON Special coated paper for 720 dpi. If you use any other paper type, the ink may spread and so reduce the print quality.

For fast printing, use 360- or 180-dpi resolution (180 dpi is faster than 360 dpi), turn on High-Speed Mode, and turn off MicroWeave.

Where to Get Help for U.S. and Canadian Users

Epson America provides local customer support and service through a nationwide network of authorized EPSON dealers and Service Centers.

EPSON also provides the support services listed below through EPSON Connection.SM U.S. users can call (800) 922-8911; Canadian users can call (800) GO-EPSON.

- Assistance in locating your nearest Authorized EPSON Reseller or Service Center
- Technical assistance with the installation, configuration, and operation of EPSON products
- EPSON technical information library fax service
- Product literature with technical specifications on EPSON's current and new products
- Customer Relations.

You can purchase supplies, parts, documentation, and accessories by calling EPSON Accessories at (800) 873-7766 (U.S. sales only). In Canada, call (800) GO-EPSON for sales locations.

When you call for technical assistance, be ready to identify your system and its configuration, and describe any error conditions to the support staff.

If you need help with any software program you are using, see the documentation that came with that program for technical support information.

Setting Up the Printer

System Requirements	1-2
Installation	1-2
Unpacking the printer	1-3
Attaching the input tray and output tray supports	1-4
Plugging in and turning on the printer	1-5
Installing the ink cartridges	1-5
Loading plain paper	1-10
Testing the printer	1-12
Connecting the printer to your Macintosh	1-12
Installing the Macintosh driver	1-13
Choosing the Stylus COLOR printer	1-16
Calibrating the printer	1-17

System Requirements

To use the Stylus COLOR with your Macintosh using the built-in serial interface, you need the following:

- ❑ System 6.0.7 or later, or System 7.0 or later.
- ❑ 4MB RAM if you are running System 6.x or 5MB RAM if you are running System 7.x.
- ❑ Plenty of hard disk space to store and print color images. The amount you need depends on the number and size of your color images.
- ❑ A standard Apple System/Peripheral-8 cable (8-pin mini din male/male) or equivalent.

To connect the printer to an AppleTalk network, you need the optional EPSON Talk kit, which contains a LocalTalk interface board. To order the EPSON Talk kit, contact EPSON Accessories or your dealer. You will also need two LocalTalk Locking Connector Kits.

Installation

The following installation procedures describe how to set up the printer if you are using the serial interface. If you are using the optional LocalTalk interface, you first need to install the LocalTalk interface board as described in Appendix A.

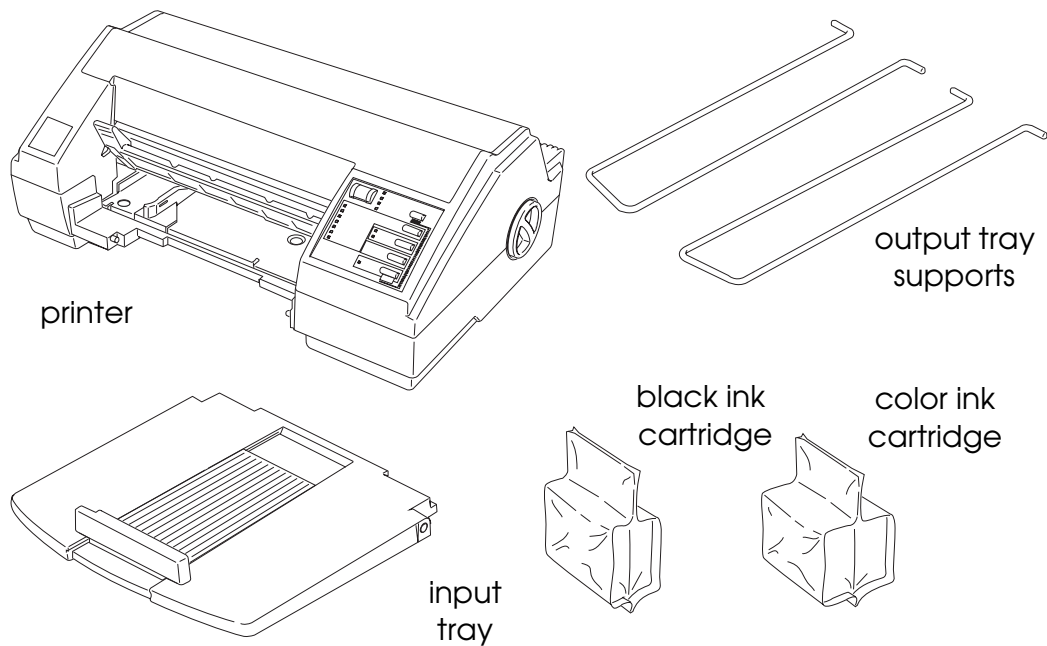
When choosing a location for the printer, use a surface that is flat, horizontal, and stable.

Always leave approximately 2 inches of clear area next to the knob on the printer's right side. The printer will not print if anything is pressing against the knob.

Avoid places subject to rapid changes in temperature and humidity. Also keep the printer away from direct sunlight and heat sources.

Unpacking the printer

In addition to this guide, your printer box should include two EPSON printer driver diskettes, the *Color Printing Tips* booklet, a user's guide for PC users, a Notice Sheet, and these items:

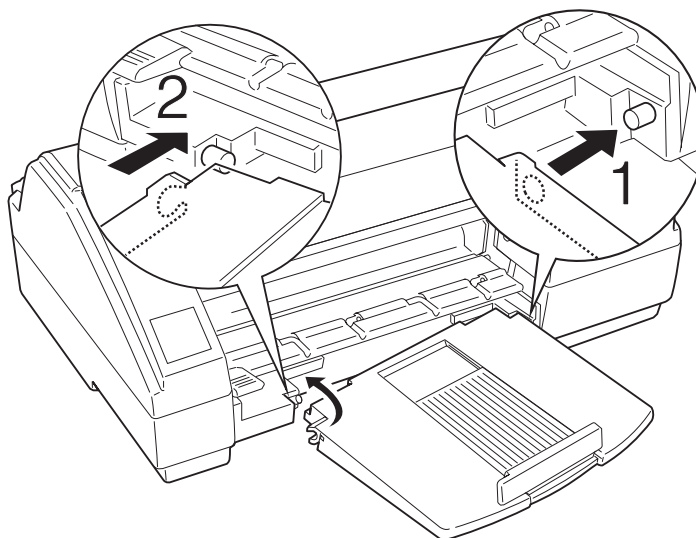


You must remove all protective materials packed with your printer before you set it up and turn on the power. Follow the directions on the Notice Sheet (inserted with the printer) to remove these materials.

Save all packaging and protective materials in case you need to ship the printer in the future. It should always be transported in its original packaging or the equivalent.

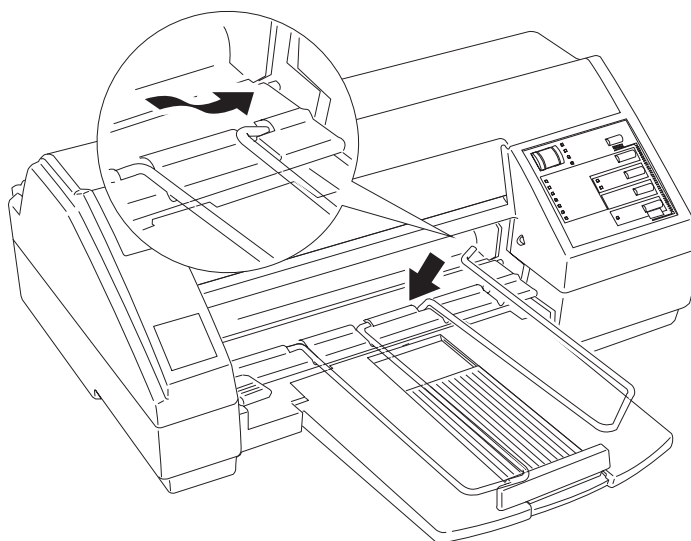
Attaching the input tray and output tray supports

1. Place the right side hole of the input tray over the mounting post as shown below. Then push the paper tray's left side notch onto the mounting post until it snaps in place.



2. Install the output tray supports into the notches provided for them.

Each support is marked with an L or R on one of its tips. Install the L support into the two leftmost notches, first inserting the long tip into the first notch on the left and slightly twisting the support to insert the other tip. In a similar fashion, insert the R support.



Plugging in and turning on the printer

1. Make sure you have removed all protective packing materials from inside the printer.
2. Plug the power cord into a properly grounded electrical outlet.
3. Turn on the printer by pressing the Operate button.

Installing the ink cartridges

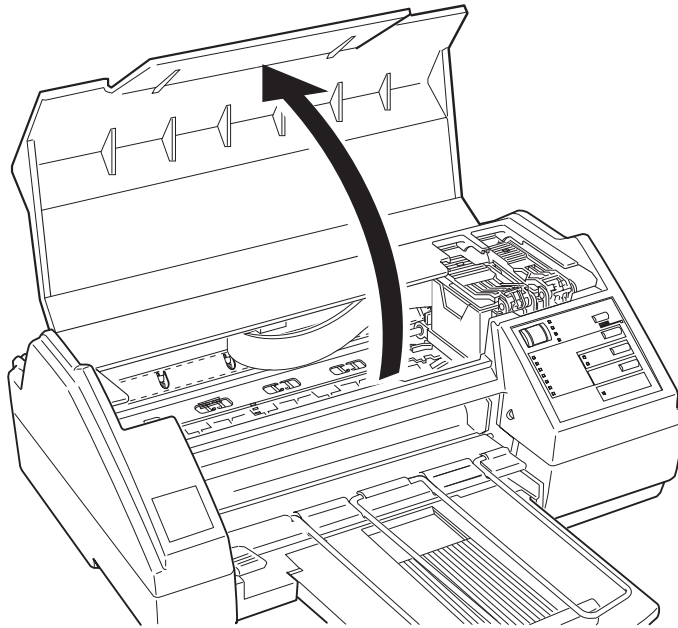
Caution:

C *The ink cartridges are self-contained units. Under ordinary use, ink will not leak from a cartridge. If ink does get on your hands, wash them thoroughly with soap and water. If ink gets into your eyes, flush them immediately with water.*

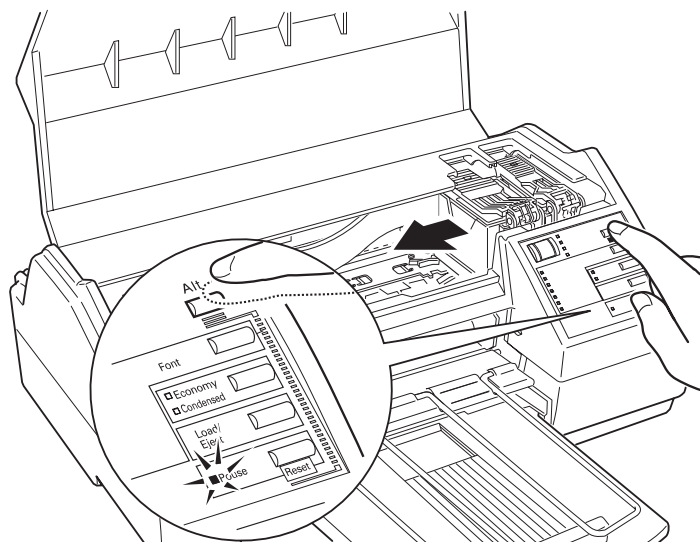
Note:

Install both ink cartridges. If only one cartridge is installed, the printer will not work.

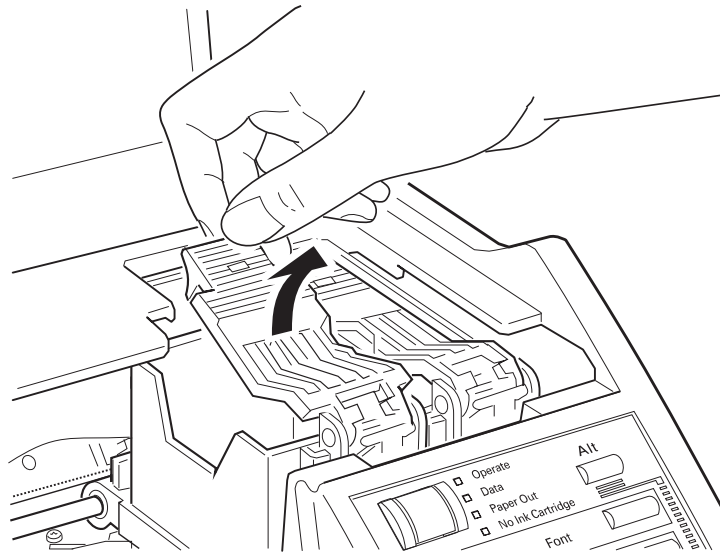
1. Make sure the printer is turned on, and then open the printer cover.



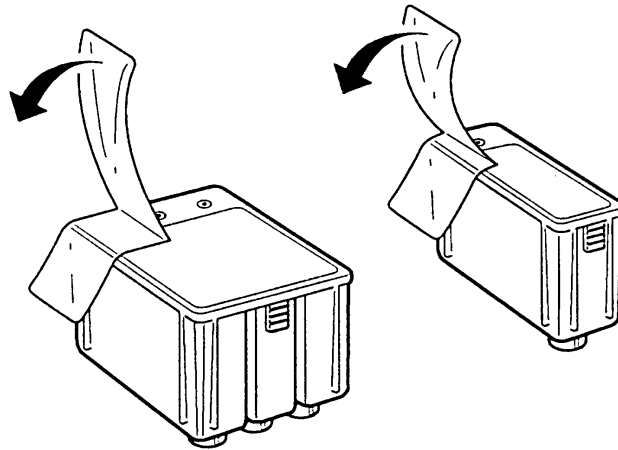
2. Press the Pause button.
3. Hold down the Alt button for about five seconds until the print head moves slightly to the left, which is the ink cartridge install position.



4. Pull each of the ink cartridge clamps toward you to open them.

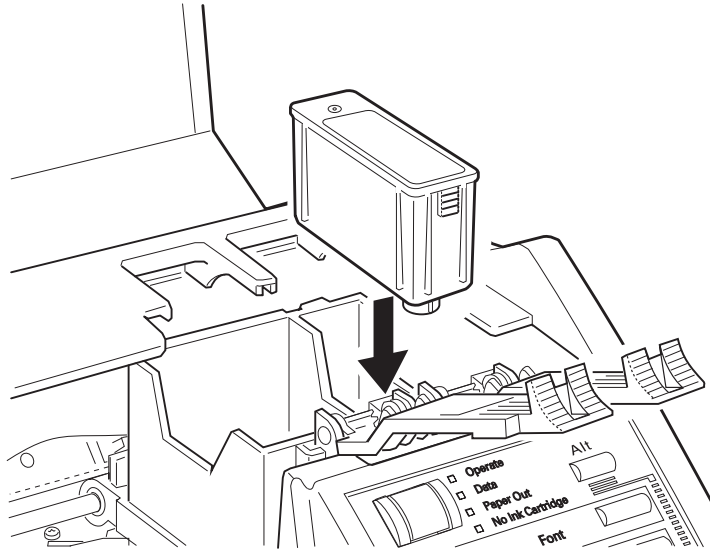


5. Open the foil ink cartridge packages and remove the cartridges from their protective cardboard. Remove the tape seal from each ink cartridge.

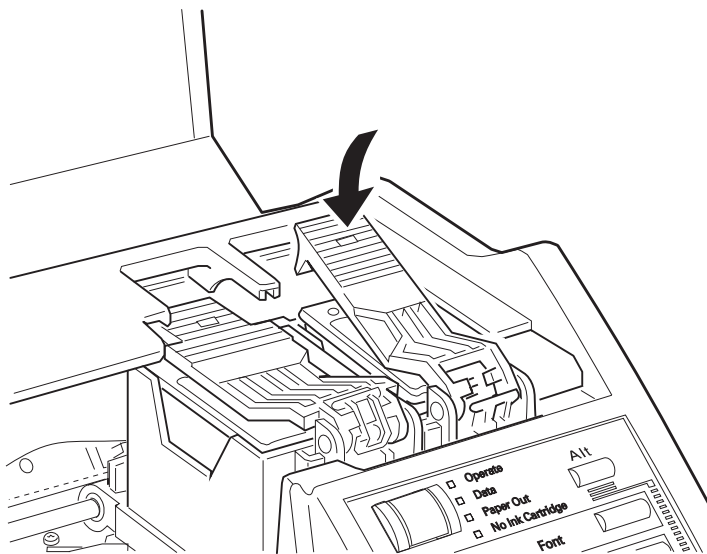


C **Caution:** You must remove the tape seal from the cartridges. Leaving the tape on will permanently damage them.

6. Lower the cartridges into their holders with the labels face up and the arrow on the top of the cartridge pointing toward the rear of the printer. The color cartridge, which is larger, goes on the left, the black ink cartridge on the right.



7. Push the ink cartridge clamps toward the back of the printer until they lock in place.



Caution:

C Once you install the ink cartridges, do not open the clamps or remove the cartridges except to replace them with new ones. Once you remove a cartridge, you cannot re-use it.

8. Press the Alt button again to return the print head to its home position. (Even if you do not press Alt, the printer moves the print head back to its home position about 60 seconds after you close the clamps.)
9. Close the printer cover.

After you install the ink cartridges, the printer charges the ink delivery system. This takes about one minute. During this time, the Pause light flashes. When the printer is finished charging, the Pause light comes on without flashing.

C *Caution:*
Never turn off the printer while the Pause light is flashing.

In order to maintain optimum print quality, the printer periodically performs a cleaning operation. You may notice the cleaning cycle being performed when the printer has been on for a while without being used or when you turn on the printer after it has been off a while.

10. After the printer completes the charging cycle, press the Pause button.

After you install the ink cartridges, you should make sure that the paper thickness lever, which controls the distance between the paper and the printer carriage, is set correctly.

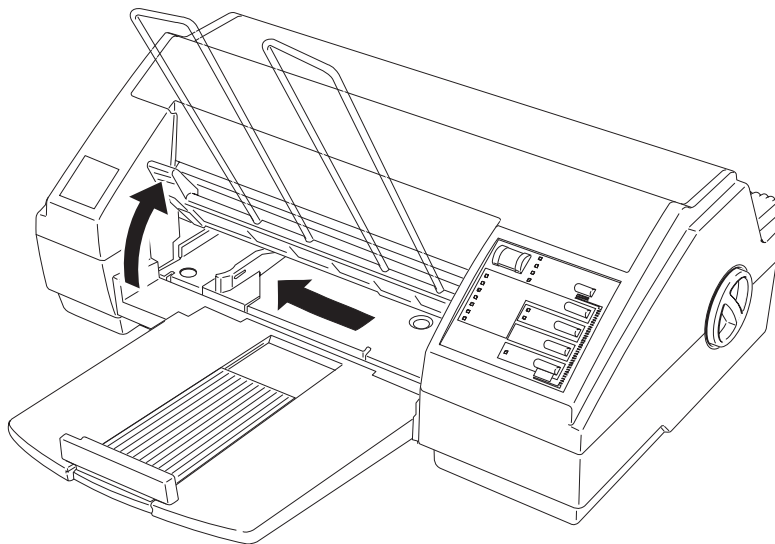
1. Open the printer cover and press the Pause button.
2. While holding down the Alt button, press the Font button. The carriage moves to the left.
3. Locate the small blue lever in front of the ink cartridges. Try rotating this lever to the left. If it cannot be rotated any further, it is in the correct position.

4. Press the Alt button. Then press Pause.
5. Close the printer cover.

Loading plain paper

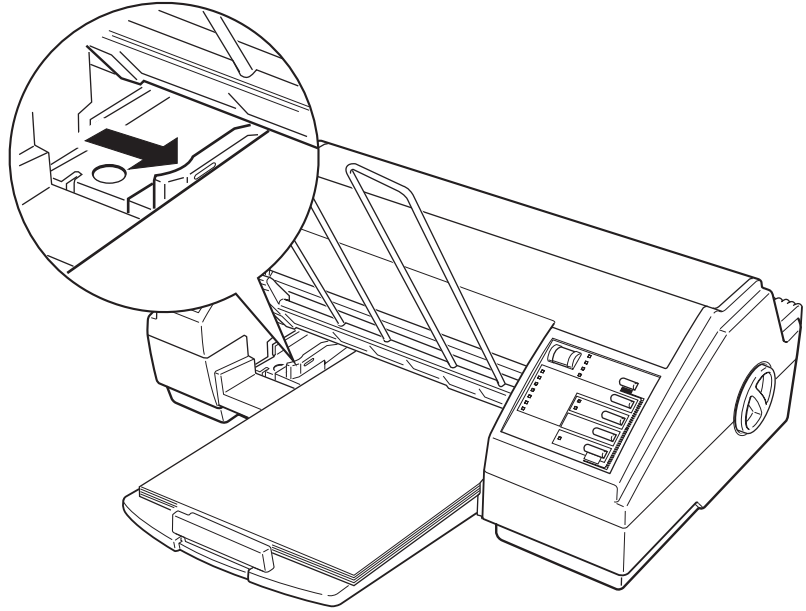
The following procedure describes how to load plain bond paper. You can load up to 100 sheets of plain paper. For information on loading coated paper, envelopes, or transparencies, see Chapter 3.

1. Raise the output tray by lifting the lever on the left until it clicks into place. Then slide the left edge guide as far to the left as it will go.

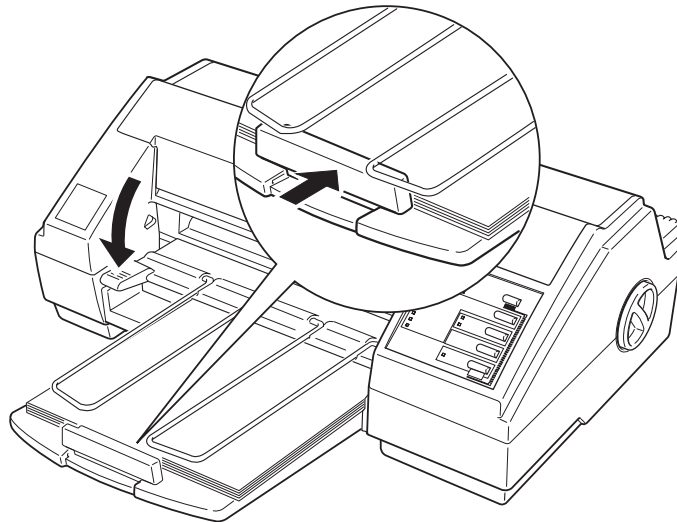


2. Fan a stack of paper; then tap it on a flat surface to even the edges.

3. While aligning the paper's edge with the right edge guide, insert it with the printable surface face down into the input tray until it meets resistance. (The printable surface is marked with an arrow on most plain paper packaging. Then adjust the left edge guide as shown.)



4. Adjust the rear edge guide to match the length of your paper as shown below. Then lower the output tray.



Testing the printer

Use paper that is at least 8.25 inches (210 mm) wide. Otherwise ink is sprayed directly on the platen and can smear subsequent pages.

1. Turn off the printer.
2. While holding down the Load/Eject button, press the Operate (⏏) button.

The self test begins by printing on the first and last lines of the first sheet of paper to measure the page length. Then it prints character samples using available fonts and colors on the next sheet of paper.

3. To end the self test, press the Pause button and turn off the printer by pressing the Operate button. Otherwise, the test continues until the paper in the input tray runs out.

Note:

Do not turn off the printer before pressing the Pause button.

If the quality of the test output is not good, clean the print heads as described in Chapter 4. It might take as many as three cleaning cycles to fully solve the problem.

Connecting the printer to your Macintosh

If you're using the printer's built-in serial interface, you need to obtain an Apple System/Peripheral-8 cable or equivalent. Then follow the procedure below to connect the printer to your Macintosh.

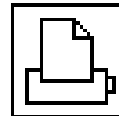
If you installed the optional LocalTalk interface board, you need to obtain two LocalTalk Locking Connector Kits (DIN-8 version). Attach a connector box both to the LocalTalk interface on the printer and to the printer port on the Macintosh. Then attach the LocalTalk cable between the two connector boxes. For specific instructions, see the owner's guide that comes with the LocalTalk Locking Connector Kits.

To connect the printer to your Macintosh using the serial interface:

1. Make sure both your printer and Macintosh are turned off.
2. Connect one end of the interface cable to the serial connector, which is located on the back of the printer immediately behind the control panel.
3. Connect the other end of the interface cable into either the modem or printer port on the Macintosh. The Macintosh ports are indicated with the following icons:



Modem port



Printer port

Normally it is recommended that you use the modem port if you are not using an external modem. This frees up your printer port for connecting to an AppleTalk network.

4. Turn on the printer by pressing the Operate button.

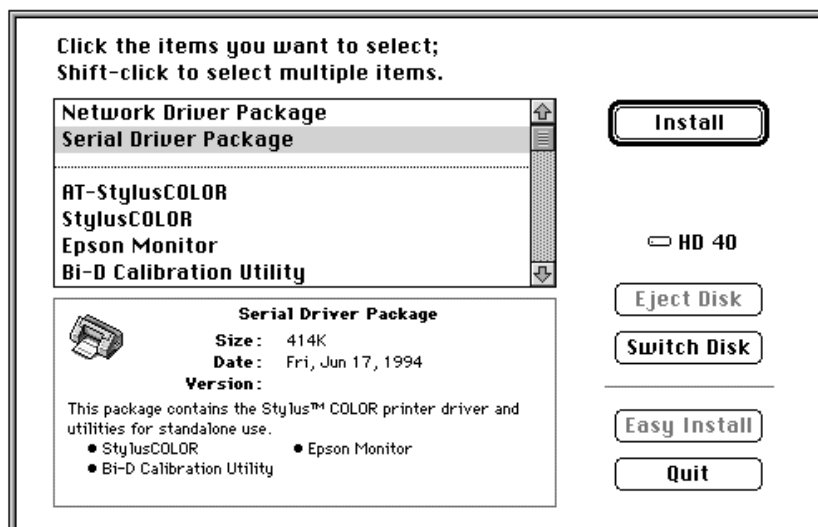
Installing the Macintosh driver

Always use the EPSON Stylus COLOR Macintosh driver when you print with the Stylus COLOR. This driver is specifically designed for the printer and allows you to easily access all its features.

C ***Caution:** Turn off any virus protection programs before you install printer software. You do this by holding down the Shift key while you restart your Macintosh. After installation, you can use the protection programs again.*

Before you begin installation, make a backup of the EPSON Macintosh printer disk. Then do the following:

1. Turn on your Macintosh and insert the EPSON Macintosh driver diskette into a diskette drive.
2. Double-click the Installer icon. When you see the initial screen, click OK to continue and bring up the following screen:



3. Choose what software components to install as described below:

The Serial and Network Driver Packages contain all the software components needed for the serial or LocalTalk interface. Normally you should choose the Serial Driver Package if you're using the serial interface, or the Network Driver Package if you're using LocalTalk. This ensures you have all the software you need to use the printer.

If you are low on disk space and wish to specify what components to install, choose one or more of the following:

AT-Stylus COLOR	This driver allows you to use the optional LocalTalk interface to connect the printer to an AppleTalk network.
Stylus COLOR	This driver allows you to use the serial interface to connect the printer directly to the Macintosh.
BI-D Calibration Utility	This utility calibrates the printer so vertical lines are aligned.
EPSON Monitor	This utility monitors and manages print jobs that have been sent to the printer. For more information, see “Using the EPSON Monitor Utility to Manage Print Jobs” in Chapter 2.
EPSON Namer	This utility assigns a unique name to the printer.

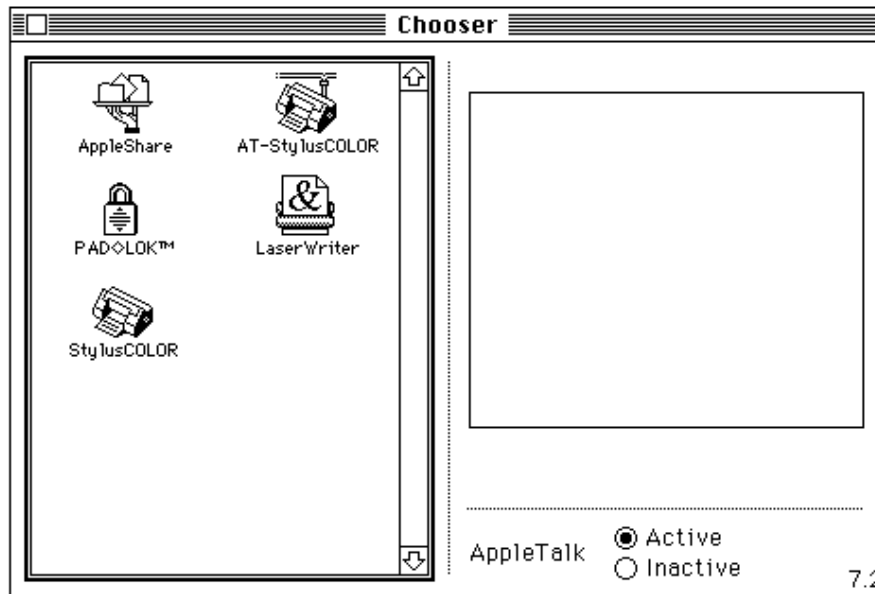
You must install either the Stylus COLOR driver or the AT-Stylus COLOR driver. The three utilities are optional. If you do not install these utilities on your hard disk, you can run them from the diskette drive when needed.

4. Click Install to copy the software to your hard disk.
5. When installation is complete, choose Quit to quit the installer.
6. Restart your Macintosh.
7. If you installed the AT-Stylus driver, you need to assign a name to the printer using the EPSON Namer utility. See Appendix A for more information.

Choosing the Stylus COLOR printer

After you install the printer driver, open the Chooser to select it before you begin printing. You need to choose the printer only the first time you use it or whenever you want to use another printer. Your Macintosh will always print using the last printer selected.

1. Open the Chooser under the Apple menu.



2. If you are using the serial interface and are using the printer port on the Macintosh, make AppleTalk inactive by clicking the Inactive radio button.

If you are using the modem port, you do not need to make AppleTalk inactive. In fact, AppleTalk must be active if your Macintosh is connected to an AppleTalk network.

3. Click on the Stylus COLOR or the AT-Stylus COLOR icon.

If you select the Stylus COLOR icon, you are prompted to select the printer  or the modem  port.

If you select the AT-Stylus COLOR icon, a list of printers appears at the right of the dialog box. Click the name of the printer you want to use.

4. If you wish, turn on background printing. When background printing is on, you can print in the background while using your Macintosh for other tasks. You must turn on background printing to use the EPSON Monitor Utility to manage print jobs.

Turning on background printing slows the print speed and may also slow any software program you use while printing in the background.

5. Close the Chooser.

Calibrating the printer

Use the BI-D Calibration Utility to adjust your printer so vertical lines in text and graphics are correctly aligned.

1. Double-click the BI-D Calibration Utility icon.

If you installed the BI-D Calibration Utility, it is located on your hard drive. If you did not install it, insert the EPSON Macintosh printer driver diskette into a diskette drive.

2. In the screen that opens, choose the interface type.

Choose Serial if you are using the serial interface. You are then prompted to specify the printer or modem port.

Choose Network if you are using the optional LocalTalk interface. (Select Network even if you are using LocalTalk to connect to a single Macintosh.) You are then prompted to select the Stylus COLOR printer you want to calibrate.

3. Choose the Test 1 button to align the print heads.

The printer prints a page that displays 16 alignment patterns of vertical lines. Each pattern is associated with an offset value. Look for the alignment pattern that is most closely aligned.



Enter the appropriate offset value in the screen that appears on your monitor.

4. Choose Test 2 to align High-Speed Mode.

As you did in step 3, enter the offset value of the pattern that is most closely aligned.

5. Once the alignments have been completed, click Exit.

Controlling the Printer

Changing Printer Settings	2-2
Using the Printer Driver	2-3
Controlling the color and halftone settings	2-4
Controlling print quality	2-5
Controlling visual effects	2-7
Selecting paper sizes	2-7
Using the Control Panel	2-9
Lights	2-10
Buttons	2-11
Using the EPSON Monitor Utility to Manage Print Jobs	2-12

Changing Printer Settings

The printer settings allow you to control your print job. With them you can specify the number of copies, a page range, and the paper size. You can also change the resolution and specify high-quality by turning on MicroWeave or turning off High Speed.

All printer settings have default settings that are sufficient for most print jobs. For this reason, you do not need to change printer settings often. The only times you need to change printer settings are to do the following:

- ❑ Print multiple copies or specify a specific page range (for example, pages 2 through 6). By default, the printer prints one copy of all pages.
- ❑ Change the resolution from 360 dpi to 720 dpi or 180 dpi.
- ❑ Turn on MicroWeave and turn off High Speed for the highest possible quality. MicroWeave is turned on automatically when you select 720 dpi.
- ❑ Use coated or transparency paper. The default is normal copier paper. When using coated paper or transparencies, change the paper type.
- ❑ Use a paper size other than letter (8.5 x 11 inches). By default the printer is set up to print letter size paper. For all other paper sizes, you need to change the paper size setting or define a new one.

Additional printer driver settings are described later in this chapter.

Some printer settings are available through the printer's control panel. You use the control panel to do the following:

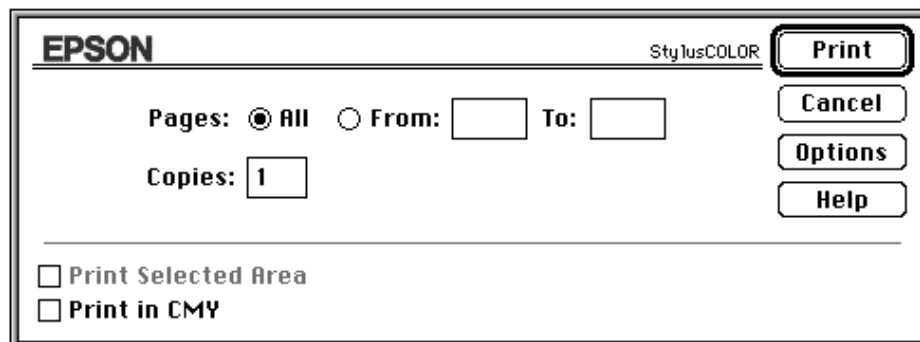
- Turn the printer on and off
- Turn on economy mode
- Clean the black and color print heads
- Pause the printer temporarily.

For more information about the control panel, see “Using the Control Panel” later in this chapter.

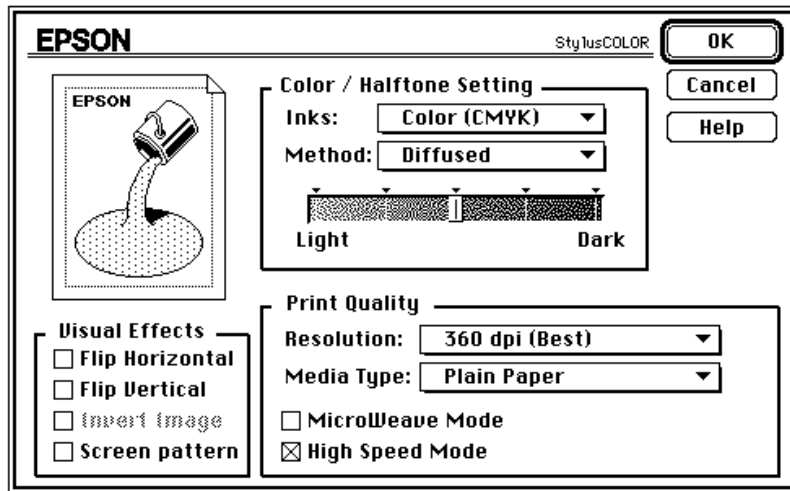
Using the Printer Driver

The printer driver settings are accessible from two dialog boxes: Print and Page Setup. Most settings are available from the Print dialog box; however, to change the paper size or define a new one, use the Page Setup dialog box as described later in this section.

To bring up the Print dialog box, choose Print from the File menu of your software program. This brings up a dialog box similar to the one shown below. The dialog box you see might differ, depending on your software program.



To access the printer driver settings for the Stylus COLOR, choose the Options button of the Print dialog box. This brings up the following dialog box:



Controlling the color and halftone settings

The following settings control color quality and the halftone pattern.

Inks

Specifies color (CMYK) or monochrome printing. When you select monochrome, colors are converted to grayscale values.

Method

Selects one of four halftone settings: Black and White, Diffused (default), Pattern 1 Dither, and Pattern 2 Dither. Normally you should not change the default halftone method, which is Diffused.

Black and white uses no halftoning pattern and should be used only with text. Black and white is fast, but it should never be used with color.

The Diffused setting is best for photographic images. This setting is the default and should be used for most color images.

Pattern 1 Dither is a fine dither pattern that can be used for printing images with significant detail but limited shading.

Pattern 2 Dither is a coarse dither pattern for images with limited detail and shading.

Light/Dark slider

Controls how much ink is applied to the paper. The slider has five settings that allow you to apply more or less ink. The more ink, the darker the colors. Move the slider to the left for more ink and darker colors; slide it to the right for less ink and lighter colors.

Note:

The slider is not accessible for monochrome printing or when the black and white halftone is selected.

Controlling print quality

The following settings allow you to adjust print quality.

Resolution

Specifies the resolution to be 720 dpi, 360 dpi, or 180 dpi. Resolution is the amount of detail used to create an image. The higher the resolution, the sharper and finer the image.

For the highest quality, use 720-dpi resolution with EPSON special coated paper. When you select this resolution, MicroWeave is turned on and High-Speed Mode is turned off.

For most color printing, use 360-dpi resolution. This resolution produces good-quality, full-color images using less memory and in less time than 720 dpi. Special paper is not required for 360 dpi; however, for better results, use EPSON coated paper.

When speed is more important than quality and when a draft is good enough, use 180-dpi resolution.

Note:

Printing at lower resolutions conserves ink.

Media Type

Sets up the printer for plain paper, coated paper, or transparencies. Media Type can be one of the following:

- Plain paper
- Transparency
- Coated Paper - 360 dpi
- Coated Paper - 720 dpi

When 720-dpi resolution is selected, Coated Paper - 720 dpi is automatically selected. No other Media Type can be selected.

MicroWeave mode

Reduces the possibility of banding, the light horizontal lines that can mar an image.

MicroWeave is recommended for printing in color. In monochrome mode, MicroWeave slows the print speed. For this reason, you may not want to use it for monochrome printing.

MicroWeave is turned on automatically for 720 dpi. It is not available for 180 dpi.

High-Speed Mode

When you turn on High-Speed Mode, the printer uses bidirectional printing, reducing the time it takes to print an image. Bidirectional printing is fast, but for highest quality, always turn off High-Speed Mode.

Note:

If the vertical lines in printing appear misaligned when you print with High-Speed Mode on, you might need to calibrate the printer as described in Chapter 1.

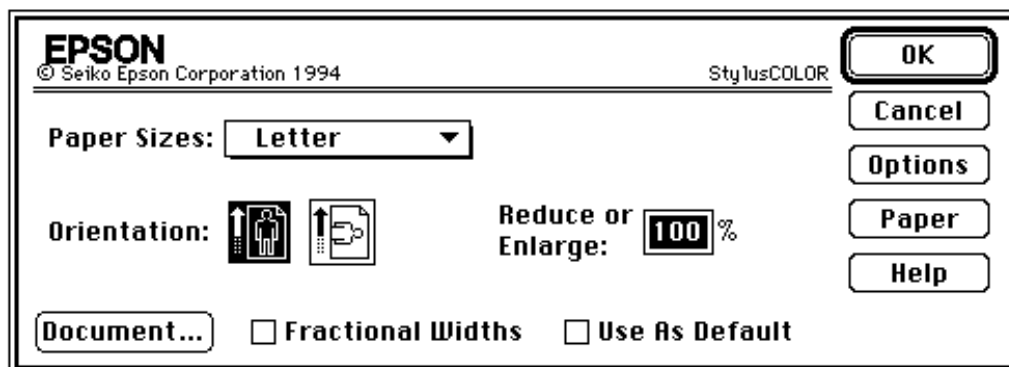
Controlling visual effects

The following settings allow you to change the printed image. Normally you only need to use these settings for achieving special effects.

- Flip Horizontal and Flip Vertical rotate the page 180° along the horizontal or vertical axis. Text will appear backwards or upside down.
- Invert Image changes black areas to white and white areas to black. Invert Image is selectable when using monochrome printing and black-and-white halftone pattern.
- Screen Pattern changes the halftone dot pattern. Normally you should turn off Screen Pattern when printing.

Selecting paper sizes

By default, the printer is set up to expect letter-size (8.5 × 11 inches) paper. To select a different paper or envelope size, choose Page Setup on the File menu of your software program. This brings up the following dialog box:



You can select from the following predefined sizes:

Letter (8.5 × 11 inches)

A4 (210 × 297 mm)

Legal (8.5 × 14 inches)

A5 (148 × 210 mm)

B5 (182 × 257 mm)

Statement (8.5 × 5.5 inches)

Executive (10 × 7.5 inches)

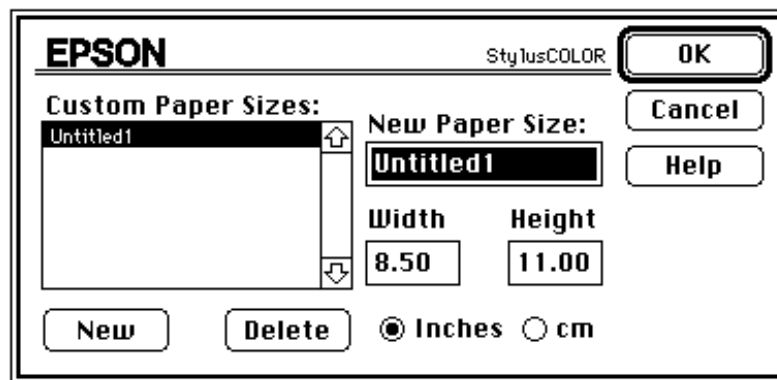
#10 envelope (9.5 × 4 1/8 inches)

DL envelope (220 × 110 mm)

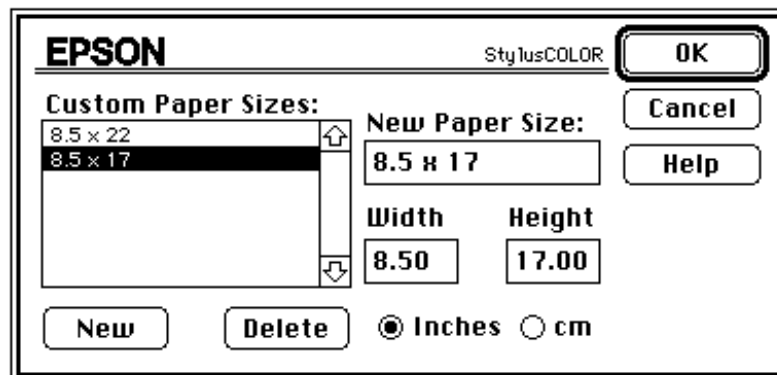
C5 envelope (229 × 162 mm)

6 3/4 envelope (6.5 × 3.6 inches)

You can also define other paper sizes by choosing the Paper button. This brings up the following dialog box:



To define a new size, choose **New**. The dialog box updates to allow you to enter a name for the new size and enter the width and height in inches or centimeters. The width must be between 4 and 8.5 inches, and the height must be between 4 and 22 inches. Thus the largest paper size you can define is 8.5 × 22 inches.

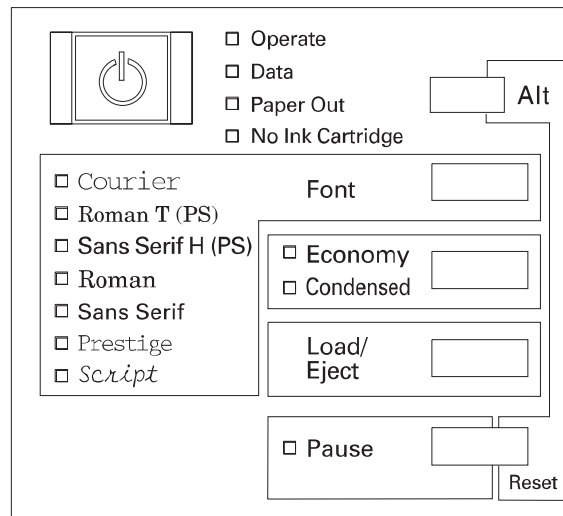


Once you enter a name and specify the size, choose **OK**.

You can define up to eight paper sizes. All paper sizes you define are listed in the left column and appear in the list of paper sizes in the Page Setup dialog box.

Using the Control Panel

The printer's front control panel contains lights for displaying the printer status and buttons for controlling certain settings.



Normally the only times you need to use the control panel are when you need to do the following:

- Turn the printer on or off
- Turn on economy mode
- Clean the black or color print heads
- Pause the printer temporarily.

Lights

Operate	On when the printer is on. Flashes when the printer is turning on or off.
Data	On when data is being received by the printer or when data remains in printer memory.
Paper Out	On when the printer runs out of paper. Rapid flashing indicates a paper jam.
No Ink Cartridge	On when one or both ink cartridges are not installed. The printer will not work unless both cartridges are installed.
Font	Does not apply to Macintosh computers.
Economy	On when the economy printing mode is selected. In economy mode the printer uses less ink by printing fewer dots per character. Use this mode for rough drafts of text only.
Condensed	Does not apply to Macintosh computers.
Pause	On when printing is paused. This light flashes when you clean the print heads or replace ink cartridges. Never turn off the printer when the Pause light is flashing. The Pause light also flashes when an error occurs.

Buttons

Operate Turns the printer on and off.

Caution:



- ❑ *Always turn off the printer by pressing the Operate button. Then wait until the Operate light stops flashing before unplugging the printer.*
- ❑ *Never turn off the printer while the Pause light is flashing.*

Font Does not apply to Macintosh computers. Use your software program to select fonts.

Load/Eject Loads or ejects a sheet of paper. Paper normally loads and ejects automatically.

Pause Stops printing temporarily. Press it again to resume printing.

Economy/Condensed

Selects economy mode. Condensed mode does not apply to Macintosh computers.

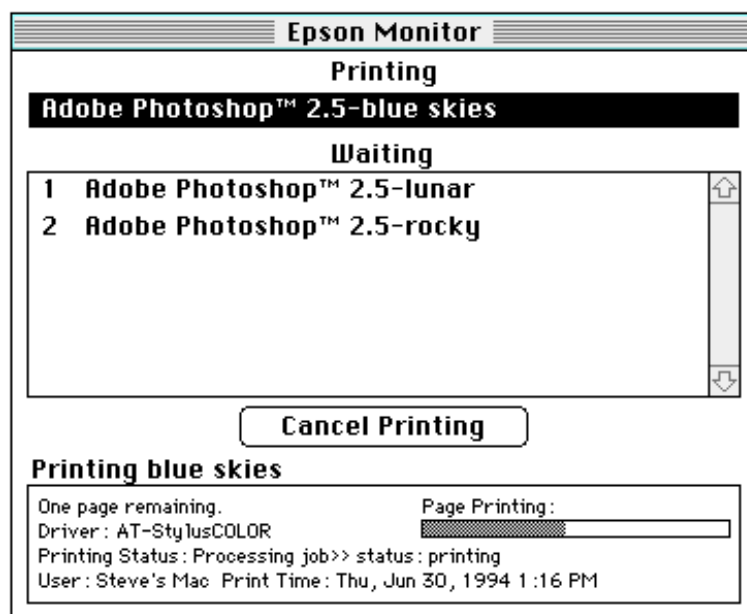
Alt Used to reset the printer. Press Alt + Pause to clear the printer's buffer and reset the printer settings to their factory settings.

You also use the Alt button in combination with other buttons when cleaning the print heads or adjusting the paper thickness lever. See “Cleaning the Print Heads” in Chapter 4 and “Loading Envelopes and Heavy Paper” in Chapter 3 for more information.

Using the EPSON Monitor Utility to Manage Print Jobs

After you send a print job to the printer, you can use the EPSON Monitor Utility to see what print jobs are queued for printing and cancel a print job. You can also use the progress of the job currently being printed.

To use the EPSON Monitor Utility, you must specify background printing in the Chooser. Then when you send print jobs, you can access the utility from the Application menu. To open this menu, click the icon in the upper right corner of your screen (the icon you see depends on your program). When you select the EPSON Monitor Utility, you see a dialog box similar to the following:



To cancel a print job, select a job and choose Cancel Printing.

By default, the EPSON Monitor screen does not appear unless you open it from the Application menu. If you want the EPSON Monitor to open automatically whenever you send a print job, choose Preferences in the File menu and make the appropriate selection.

Chapter 3

Paper Handling

Choosing Paper	3-2
Loading Special Coated Paper and Transparencies	3-3
Loading Envelopes and Heavy Paper	3-4

Choosing Paper

You can use most plain paper with the Stylus COLOR and achieve good results. However, for better quality printing, use EPSON coated paper or paper especially designed for ink jet printers. Coated paper reduces the amount of ink that is absorbed by the paper to produce sharper, clearer printing.

For the highest quality print output and overhead presentations, EPSON offers the following special papers:

- EPSON Special coated paper for 360 dpi (S041028 for letter, S041025 for A4)
- EPSON Special coated paper for 720 dpi (S041029 for letter, S041026 for A4)
- EPSON Transparency film (S041030 for letter, S041027 for A4).

Samples of each type are included with the printer.

When choosing special paper, keep the following in mind:

- When printing at 720-dpi resolution, use only EPSON Special coated paper for 720-dpi printing. No other paper is suitable for this resolution.
- When using special coated paper for 720 dpi, do not print at 360 dpi; likewise, when using special coated paper for 360 dpi, do not print at 720 dpi.
- When printing on transparencies, use only EPSON Transparency film. For best results, use transparencies within six months of opening the package.
- Do not use 720 dpi when printing transparencies.

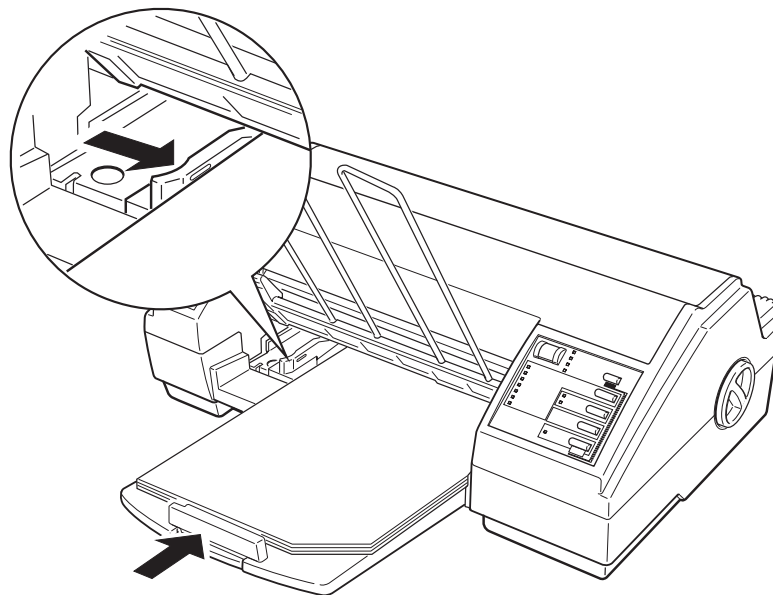
Loading Special Coated Paper and Transparencies

Note:

Loading plain paper is described in Chapter 1.

1. Make sure the printable surface is face down. For coated papers, the printable side is whiter than the other side.

For transparencies, the printable side is face down when the cut corner is as shown below.



C **Caution:** *Do not touch the printable surface; hold sheets by their edges.*

2. Insert the paper into the input tray until it meets resistance. You can insert up to 70 sheets of coated paper or up to 50 transparencies.
3. Adjust the left and rear edge guides so that the paper or transparencies feed straight into the paper path. Then adjust the rear edge guide to match the length of your paper.

4. Change the Media Type setting and check other settings to be sure they are appropriate for the paper you loaded.

You must change the Media Type setting in the printer driver to ensure it matches the paper you just loaded. To change the Media Type setting, choose Print in the File menu, then choose the Options button. In the dialog box that appears, use the Media Type setting to select Coated paper - 360 dpi, Coated Paper - 720 dpi, or Transparency. Then choose OK.

You might also need to change the following settings:

- Resolution. If you're using a paper that requires 720 or 360 dpi, make sure the resolution is set correctly.
- Paper size. If the paper you loaded differs in size from the paper previously loaded, choose Page Setup in the File menu to select or define the paper size.

Once your software settings are correct, choose Print in the File menu to print on the sheets you loaded. When you are finished printing, return unused sheets to the original packaging. Unfavorable storage conditions, especially high temperature, humidity, and direct sunlight can damage special paper.

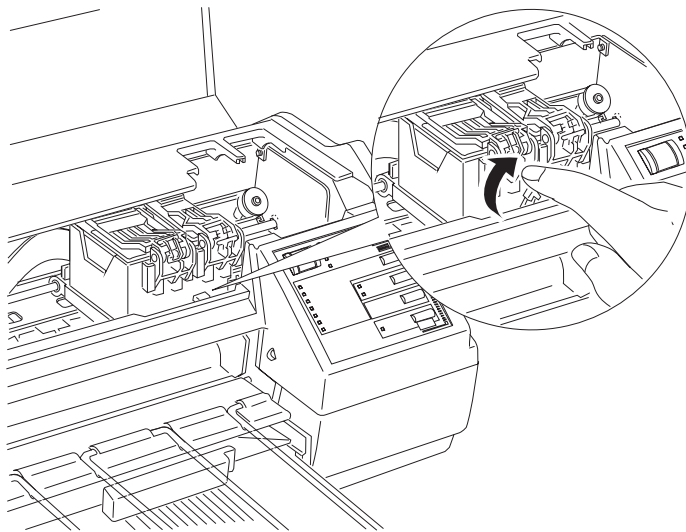
Loading Envelopes and Heavy Paper

When printing on envelopes, follow these guidelines:

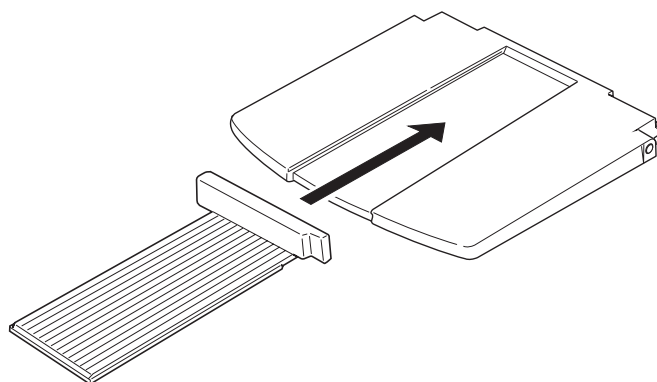
- Do not use envelopes that are too thin; they may curl during printing.
- Return unused envelopes to the original packaging. Unfavorable storage conditions, especially high temperature, humidity, and direct sunlight can damage envelopes.
- Do not choose 720-dpi resolution for envelope printing.

When printing on envelopes and heavy paper, you need to adjust the paper thickness lever to compensate for the extra paper weight.

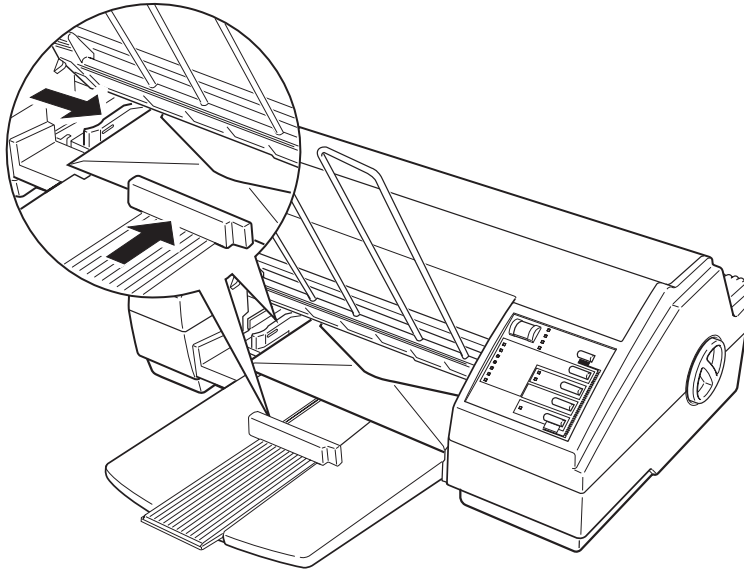
1. Make sure the printer is turned on. Then press the Pause button and open the cover.
2. While holding down the Alt button, press the Font button. The carriage moves to the lever-adjusting position. Paper loaded in the printer is ejected when you adjust this lever.
3. Turn the paper thickness lever clockwise as far as it will go.



4. Press the Alt button. Then press Pause.
5. If you are printing onto envelopes, remove the rear edge guide from the input tray and reinstall it as shown.



6. Insert the paper or envelopes into the printer. If you're loading envelopes, insert them as shown. You can insert up to 10 envelopes. The number of sheets of heavy paper depends on the thickness of the paper.



Adjust the rear and left edge guides so the paper or envelopes feed straight into the paper path.

7. From your software program, choose Page Setup in the File menu and select the appropriate paper or envelope size if you are not using letter size.

Once you select the paper size and change any appropriate printer settings, choose Print in the File menu to print on the envelopes or paper you loaded.

After you are finished printing on heavy paper or envelopes, return the paper thickness lever to its original position.

Maintenance and Troubleshooting

Cleaning the Print Heads	4-2
Replacing an Ink Cartridge	4-3
Transporting the Printer	4-6
Troubleshooting	4-7
Print quality problems	4-8
Problems with printing	4-10
Paper handling problems	4-12

Cleaning the Print Heads

The printer periodically cleans its print heads, so normally you should not need to clean them. However, if print quality diminishes, use the built-in print head cleaning cycle to enable the nozzles to deliver ink properly.

You can clean either or both print heads. Each cleaning cycle takes about one minute. The **PAUSE** light flashes throughout the cycle and then stays on when the cleaning cycle is finished.

To clean the black print head:

1. Make sure the printer is turned on and press the **PAUSE** button.
2. Hold down the **ALT** button and press **LOAD/EJECT**.
3. Press the **PAUSE** button to resume printing.

To clean the color print head:

1. Make sure the printer is turned on and press the **PAUSE** button.
2. Hold down the **ALT** button and press **ECONOMY/CONDENSED**.
3. Press the **PAUSE** button to resume printing.

If the print quality does not improve after you clean the print heads three times, replace one or both ink cartridges as described in the next section.

Replacing an Ink Cartridge

If print quality has declined and three attempts to clean the print heads did not improve the quality, replace one or both ink cartridges. You can check print quality by doing a printer self test as described in Chapter 1.

Use these EPSON ink cartridges or cartridges manufactured to EPSON's specifications only:

Black ink cartridge	S020034
Color ink cartridge	S020036

When you need new ink cartridges, contact your dealer or call EPSON Accessories at (800) 873-7766.

Caution:

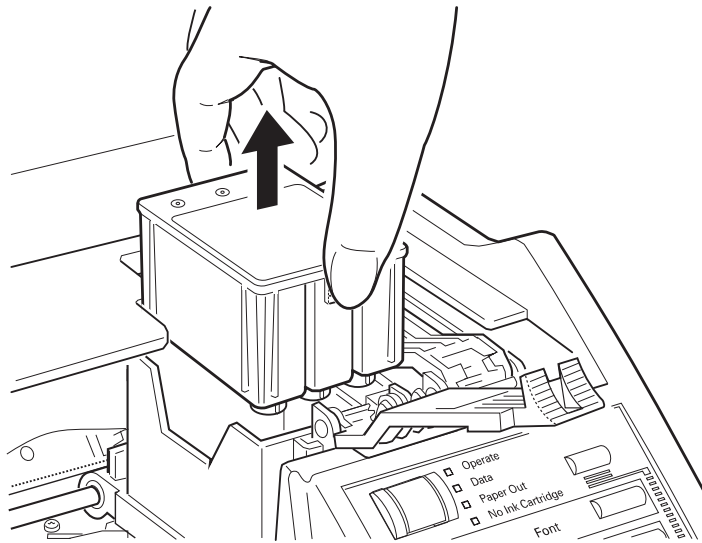
- C** *The printer will be damaged if you use ink or cartridges not manufactured by EPSON or which do not meet EPSON's specifications. Do not attempt to refill ink cartridges manually. If you use substandard products with your EPSON printer, you will damage the print heads and void your warranty.*
- Leave the old cartridge installed in the printer until you are ready to replace it with a new one. Attempting to print without a cartridge installed can damage the printer.*

Any paper in the paper path is ejected automatically when you replace the cartridge.

1. Make sure the printer is on.
2. Open the printer cover.
3. Press the Pause button (check that the Pause light comes on).
4. Hold down the Alt button for about five seconds until the print head moves slightly left to the ink cartridge install position. The Pause light begins blinking.

The carriage returns to the home position after 60 seconds if the ink cartridges are not removed.

5. Lift the blue cartridge clamp up as far as it will go. The cartridge rises partly out of the carriage.
6. Lift the cartridge out of the printer and dispose of it properly. Do not take the used cartridge apart or try to refill it.



Caution:

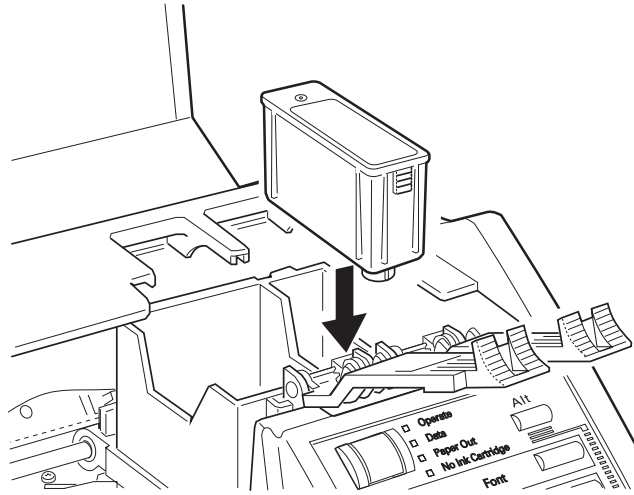
C *If ink gets on your hands, wash them thoroughly with soap and water. If ink gets into your eyes, flush them immediately with water.*

7. Open the package containing the ink cartridge and remove the cartridge from its protective cardboard. Remove the tape seal from the cartridge.

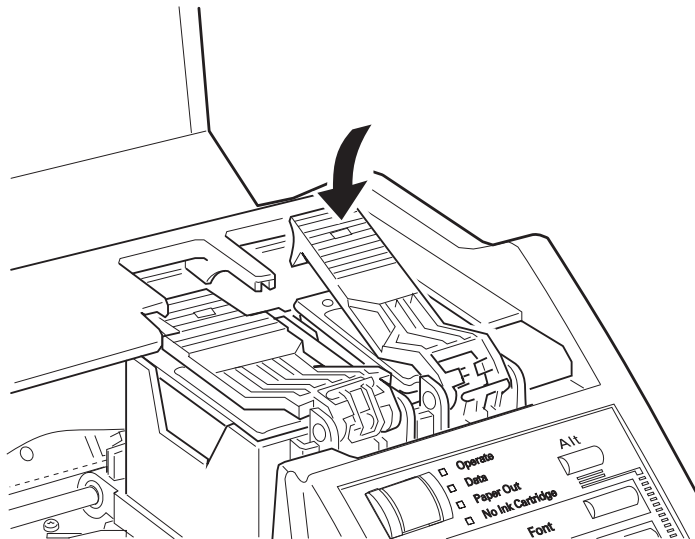
Caution:

C *You must remove the tape seal from the cartridge. Leaving the tape on when you install the cartridge will permanently damage the cartridge.*

- Lower the ink cartridge into the cartridge holder so the label is face up and the arrow on the cartridge points to the rear of the printer. The larger (color) cartridge goes on the left.



- Push the ink cartridge clamp toward the back of the printer until it locks in place.



- Clean the print heads (optional).

Cleaning the print head ensures that ink is properly delivered to each nozzle. Cleaning is recommended but not required.

If you replaced the black cartridge, hold down the Alt button while you press the Load/Eject button. This cleans the black print head.

If you replaced the color cartridge, hold down the Alt button while you press the Economy/Condensed button. This cleans the color print head.

After you clean the print head, skip to step 12.

11. Press the Alt button again. The Pause light flashes as the printer charges the ink delivery system.
12. Close the printer cover. When the charging cycle finishes and the Pause light stops flashing and stays on, press the Pause button.

Transporting the Printer

If you need to transport your printer some distance, carefully repack it using the original box and packing materials as follows:

1. Open the printer cover and make sure that the print head is locked in the far right position. If it isn't, turn on the printer, wait, and turn it off.

Caution:

C *Do not remove the ink cartridges when transporting the printer. Transporting the printer without the cartridges installed can damage the printer.*

2. Unplug the power cord from the electrical outlet; then disconnect the interface cable from the printer.
3. Remove paper from the input tray.

4. Attach the protective material to the printer. See the Notice Sheet that came in the box.
5. Repack the printer in the original box.

When you first use the printer after transporting it, if the printed image is faint, has gaps, or nothing prints, clean the print heads as described at the beginning of this chapter. If the printed image is misaligned, calibrate the printer as described in Chapter 1.

Troubleshooting

This section describes what you can do if you are having problems printing. It is divided into the following subsections:

- ❑ Print quality problems. See this section if the print quality is not good or not what you expect.
- ❑ Problems with printing. See this section if your printer is not printing.
- ❑ Paper handling problems. See this section if you have paper jams or other problems with paper feeding incorrectly.

If you have a printing problem, check the appropriate section and follow all suggestions that apply to your problem. If none of the suggested solutions solve your problem, call the EPSON Connection at (800) 922-8911. Canadian users can call (800) GO-EPSON.

Print quality problems

Print quality problems can often be solved by cleaning the print heads as described earlier in this chapter. Note that it may take as many as three cleaning cycles to solve a print quality problem. If cleaning the print heads does not improve the print quality, try the following:

- ❑ Check whether the ink cartridges are empty. Print a self test as described in Chapter 1. After the first page prints, the printer prints an entire page of text lines in various colors, including black, magenta, cyan, and yellow. If the black lines don't print, replace the black ink cartridge; if the magenta, cyan, or yellow lines don't print, change the color ink cartridge.
- ❑ For color or complex grayscale images, turn on MicroWeave and turn off High Speed.
- ❑ Use a higher-quality paper.
- ❑ Make sure the Media Type setting matches the type of paper loaded in the printer.

If you're printing a scanned image and the colors are not right, see if the problem can be fixed from your scanning software program.

If print quality does not improve, see the following specific items.

Printed output is not what you expect or is faint or blurred.

Clean one or both print heads as described earlier in this chapter.

Replace one or both ink cartridges.

Make sure MicroWeave is on and High Speed is off.

Use a higher quality paper. Also, check that the Media Type setting in the driver is selected for the type of paper loaded. If you are using 720-dpi resolution, be sure to load special coated 720-dpi paper. Always use this special paper when printing at 720 dpi.

Check that the paper thickness lever is set correctly for the type of paper. (See “Loading Envelopes and Heavy Paper” in Chapter 3 for more information.) Faint printouts can result if you print on plain paper when the paper thickness lever is set for thick paper.

Check whether your paper is moist or damp. Ink jet printers are sensitive to moisture absorbed by paper. Do not store paper in damp or humid places.

Check whether economy printing mode is on. To turn off this mode, press the Economy/Condensed button until the Economy light goes off.

You might not be printing on the right side of the paper. Flip the paper so the side that was down is up and reload it.

Vertical lines do not align or you see white banding.

Calibrate your printer as described in Chapter 1.

Printing starts too high or too low on the page, or the page length is not what you expect.

Use your software program to adjust the top and bottom margins. Change the number of lines per page in your software.

The page length setting may not match the length of the paper loaded in the printer. Change the page length setting within your software to match the paper you are using.

Problems with printing

If you cannot get the printer to print, first check that paper is loaded in the printer. Then check that the printer is plugged into a working electrical outlet that is not controlled by a switch or timer. Verify that the interface cable is securely connected to the printer and computer.

After you have done all this, see the following specific problems.

Printing has stopped and the **Pause light is on.**

Printing is temporarily suspended. Press the **Pause** button to continue.

Printing has stopped but the **Pause light is off.**

One or both ink cartridges may be empty or too old. A cartridge is too old if it has been used longer than six months or beyond the date on its packaging. First clean the print heads as described earlier in this chapter. If this does not solve the problem, replace the ink cartridges.

The peripheral cable between the printer and Macintosh might not meet the specifications for the printer or computer.

Turn off the printer and perform a self test as described in Chapter 1. If the self test does not print, the problem is with the printer. If the self test prints correctly, the problem is probably with your software.

The **No Ink Cartridge light is on, and the printer does not print.**

One or both ink cartridges are not installed. Install both ink cartridges.

The printer makes a grinding noise and does not feed paper.

Something is pressing against the knob on the printer's right side. Turn off the printer and move it, leaving approximately 2 inches of open area next to the knob on the printer's right side. The printer will not work if anything is pressing against the knob.

All lights except the **Operate light flash and nothing prints.**

Contact your dealer or EPSON.

Printing stops and the **Data and **Pause** lights flash.**

There is a problem with the carriage. Turn off the printer. After a few seconds, turn it back on and try printing again. If this does not solve the problem, contact your dealer or a qualified service person.

The printer sounds like it is printing, but nothing prints.

The print heads may need cleaning. See "Cleaning the Print Heads" earlier in this chapter for instructions.

One or both ink cartridges are empty or too old. A cartridge is too old if it has been used longer than six months or beyond the date on its packaging. First clean the print heads as described earlier in this chapter. If this does not solve the problem, replace the ink cartridges.

Ink cartridges do not last as long as expected.

The ink cartridge life varies, based on the amount of ink used in printing. If you often print pages with large graphics and dense text with little white space, you will use up cartridges faster than if you print pages with lots of white space.

Paper handling problems

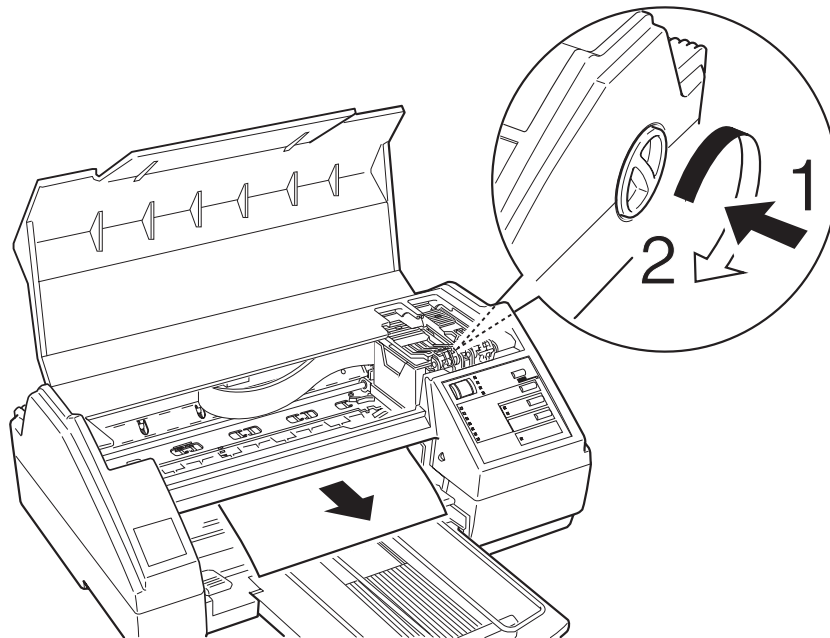
This section describes how to clear paper jams inside your printer and how to ensure that paper feeds properly.

Clearing and preventing paper jams

If paper has jammed inside the printer, clear the paper as follows:

1. Turn off the printer.
2. Open the printer cover.
3. Rotate the knob on the right side of the printer while pushing it in as shown below.

Turn the knob in the direction, otherwise ink from the printed sheet can come off onto the printer and smear other sheets.



4. Pull the paper out carefully. If it tears, make sure you remove any remaining pieces.

5. If paper is caught in the paper eject area, gently pull it out of the printer.
6. Close the printer cover.
7. Turn on the printer to move the print heads to the correct positions.
8. Adjust the left and rear paper edge guides.

If you have frequent paper jams, try the following:

- Use a higher-quality paper, one that is not too thin or rough. Make sure it is suitable for ink jet printers. Also, thicker paper should be fed one sheet at a time. See Chapter 3 for more information about loading paper.
- Fan the stack of paper before you load it.
- Do not load too many sheets in the input tray. You can load up to 100 sheets of plain paper, 70 sheets of special coated paper, or 50 sheets of transparency film.

Paper feeding problems

If paper is not feeding properly, the most likely causes are the following:

- Paper is curled or folded. Use flat, nondamaged paper.
- Too many sheets are loaded in the input tray. Do not load more than 100 plain paper sheets or more than 70 special coated sheets.
- The paper is too thin or thick. See Appendix B for exact specifications.
- The edge guides are too tight or too loose. Adjust the edge guides for the size of the paper.

If you still have paper feeding problems, see the following:

The printer loads more than one sheet at a time.

Remove the stack of paper and fan it. Tap it on a flat surface to even the edges. Then reload the paper.

The paper is too thin or thick. See Appendix B for exact specifications.

Ejected paper is wrinkled.

The paper is too thin or damp. Do not store paper in damp or humid places.

Single-sheet paper does not fully eject.

Use the Load/Eject button to eject the page.

The paper is too long. Use paper that is within the specified size. See Appendix B for exact specifications.

Paper is feeding crooked.

The paper is old or creased. Use only new, smooth sheets of paper.

Too much paper is loaded in the input tray. Remove a few sheets.

The paper is not the proper size and quality. See Appendix B for exact specifications.

Using the LocalTalk Interface

When to Use the Optional LocalTalk Interface	A-2
Installing the Optional LocalTalk Interface Board	A-2
Assigning a Name to the Printer	A-4
Turning on the Printer's Network Mode	A-4

When to Use the Optional LocalTalk Interface

If you want to connect the printer to an AppleTalk network so multiple Macintosh computers can share the printer, you need to obtain an EPSON Talk kit for the Stylus COLOR. To purchase one, contact your dealer or call EPSON Accessories at (800) 873-7766.

You can also use LocalTalk to connect the printer to a single Macintosh. However, you must still create an AppleTalk network using the LocalTalk Locking Connector Kits. See the owner's manual that comes with the LocalTalk kits for more information about setting up an AppleTalk network.

Installing the Optional LocalTalk Interface Board

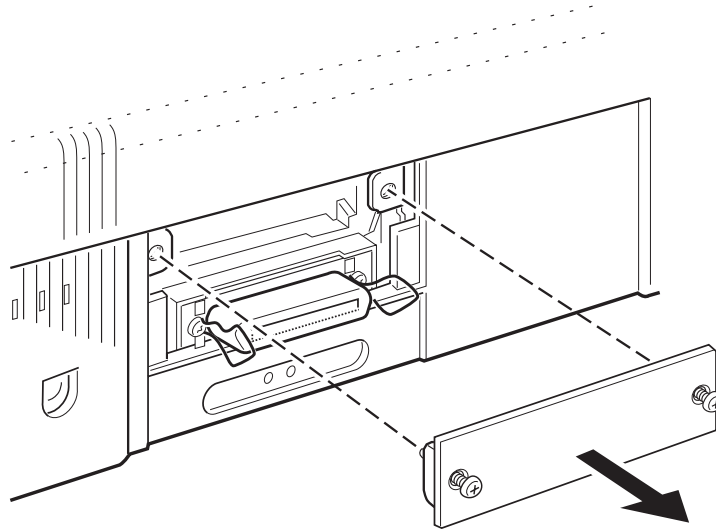
To install the LocalTalk interface board in your printer:

1. Turn off the printer.
2. Unplug the power cord from the electrical outlet.

W *Warning:*
Do not install or remove an interface board when the printer is connected to the electrical outlet. If you do, you may damage your printer or Macintosh.

3. Turn the printer around so that its rear panel faces you and disconnect any interface cables.

4. Use a cross-head screwdriver to remove the two screws securing the shield plate to the optional interface slot; then lift out the plate.



5. Slide the LocalTalk interface board along the slots on both sides of the interface compartment. Push it in firmly to fully insert the connector at the rear of the interface board into the printer's internal socket.
6. Secure the interface board in the slot with the two screws included with the board.
7. Attach a LocalTalk connector box to the LocalTalk connector on the back of the printer. Attach one end of a LocalTalk cable to this connector box.

Attach the other end of the cable to an available port on any connector box that is part of the network. For more information about creating an AppleTalk network, see the owner's guide that comes with the LocalTalk Locking Connector Kits.

8. Connect interface cables to the serial or parallel port if you are using more than one computer.
9. Make sure the printer is turned off. Then plug in the power cord.

Assigning a Name to the Printer

After you install the LocalTalk interface board and install the driver as described in Chapter 1, you must assign a name to your printer before you can select it in the Chooser.

To assign a name to your printer:

1. Double-click the EPSON Namer icon.

If you installed the EPSON Namer in Chapter 1, look on your hard disk for the icon.

If you did not install the EPSON Namer, insert the EPSON Macintosh driver diskette into a diskette drive.

2. Under Device Types, select the AT-Stylus COLOR icon.
3. If there are multiple AppleTalk zones at your site, select the zone in which your printer is located.
4. Under New Name, enter a name for your printer.
5. Choose Rename. Then choose Done to exit the EPSON Namer.

Turning on the Printer's Network Mode

If you encounter problems when using the printer on an AppleTalk network, you may need to turn on the printer's network mode by using the buttons on the control panel. To turn on the network interface mode:

1. Make sure the printer is off and that paper is loaded in the input tray.
2. While holding down the Economy/Condensed button, turn on the printer.

After the printer warms up, it prints a page listing the available languages.

3. Unless you want to change the language of the control panel, press the Alt button. (Press the Font button to change the language selection.)

The printer prints two instruction sheets that describe how to change default printer settings.

4. Press the Font button until the Courier and Sans Serif H lights are on and the Roman T light is off.
5. Press the Alt button until the Operate light is on and the Data and Paper Out lights are off.
6. Turn off the printer.

Technical Specifications

Printing B-2

Paper B-3

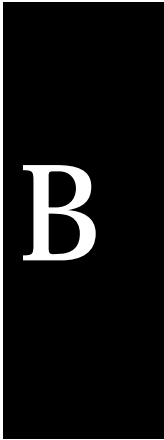
Ink Cartridges B-6

Mechanical B-7

Electrical B-7

Environmental B-8

Safety Approvals B-8



Printing

Printing method:	On-demand ink jet
Nozzle configuration:	Monochrome (black) 64 nozzles (16 × 4 staggered) Color 48 nozzles (16 × 3, Cyan, Magenta, Yellow)
Print speed (color)*:	
Best print quality	5.5 MPP (minutes per page)
Faster print quality	3 MPP
	* Print speeds vary depending on system configuration, software application, and amount of page covered.
Resolution:	720 × 720 dpi, 360 × 360 dpi, 180 × 180 dpi The resolution is specified by using the printer driver. All resolutions are available for color and monochrome modes.
Paper feed speed:	89 milliseconds per 1/6-inch line
Input buffer:	64KB

Paper

Note:

Since the quality of any particular brand or type of paper may be changed by the manufacturer at any time, EPSON cannot guarantee the use of any particular brand or type of paper. Always test samples of paper stock before purchasing large quantities or printing large jobs.

Paper path:	Sheet feeder, front entry
Single sheets:	
Capacity	100 sheets at 64 g/m ² (17 lb) paper 10 envelopes 50 transparency films 70 sheets of EPSON Special coated paper
Size	A4 (210 mm × 297 mm) Letter (8.5 × 11 inches) Legal (8.5 × 14 inches) B5 (182 mm × 257 mm)
Paper types	Plain paper and special papers distributed by EPSON (special coated paper and transparencies)
Paper thickness	0.08 to 0.11 mm (0.003 to 0.004 inches)
Paper weight	64 to 90 g/m ² (17 to 24 lb) Use 90 g/m ² (24 lb) paper under normal temperature and humidity conditions.
Envelopes:	
Capacity	10 envelopes
Size	No. 6 166 × 92 mm (6.5 × 3.6 inches) No. 10 240 × 104 mm (9.5 × 4.1 inches) C5 162 mm × 229 mm
Paper types	Bond paper
Paper thickness	Less than 0.52 mm (0.020 inches)
Paper weight	75 to 90 g/m ² (20 to 24 lb)

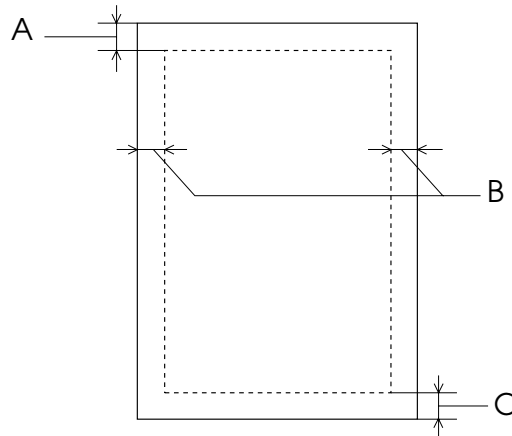
Note:

- ❑ *Use recycled paper under normal temperature and humidity conditions only. Poor quality paper may reduce print quality and cause paper jams and other problems. If you encounter problems, switch to a higher grade of paper.*
- ❑ *Envelope and transparency printing are available only under normal conditions:*

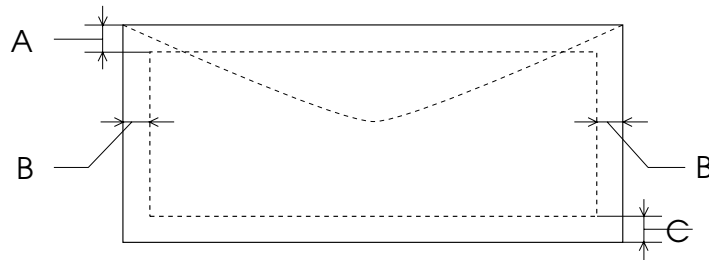
<i>Temperature</i>	<i>15 to 25°C (59 to 77°F)</i>
<i>Humidity</i>	<i>40 to 60% RH</i>
- ❑ *Use envelopes that do not curl.*
- ❑ *The following EPSON genuine papers are available:*
 - S041025 Special coated paper for 360 dpi printing (A4)*
 - S041028 Special coated paper for 360 dpi printing (Letter)*
 - S041026 Special coated paper for 720 dpi printing (A4)*
 - S041029 Special coated paper for 720 dpi printing (Letter)*
 - S041027 Transparency film (A4)*
 - S041030 Transparency film (Letter)*
 - S041032 Starter Pack (samples of 360, 720, and transparency film special media)*

Printable area:

Single sheets



Envelopes



A The minimum top margin is 3.0 mm (0.12 inches).

B The minimum left margin is 3.0 mm (0.12 inches).

The right margin is:

3.8 mm (0.15 inches) for A4, B5 size paper, and No. 6 envelope.

9.8 mm (0.38 inches) for Letter and Legal size paper.

13.8 mm (0.54 inches) for DL envelope.

33.8 mm (1.33 inches) for No. 10 envelope.

C The minimum bottom margin is 13.0 mm (0.51 inches).

Ink Cartridges

Black ink cartridge (S020034):

Color	Black
Print capacity*	Approximately 1.5 million characters (840 sheets, letter, 5% duty at 360 dpi)
Cartridge life*	2 years from production date and up to 6 months after opening the package, at 25°C (77°F)
Temperature	Storage: –30 to 40°C (–22 to 104°F) 1 month at 40°C (104°F) Transit: –30 to 60°C (–22 to 140°F) 1 month at 40°C (104°F) 120 hours at 60°C (140°F) Freezing:** –4°C (24.8°F)
Dimensions	1.1 inches (W) × 2.7 inches (D) × 1.7 inches (H)

Color ink cartridge (S020036):

Colors	Cyan, Magenta, and Yellow
Print capacity*	In each color, approximately 1.2 million characters (670 sheets/color, letter, 5% duty at 360 dpi)
Cartridge life*	2 years from production date and up to 6 months after opening the package at 25°C (77°F)
Temperature	Storage: –30 to 40°C (–22 to 104°F) 1 month at 40°C (104°F) Transit: –30 to 60°C (–22 to 140°F) 1 month at 40°C (104°F) 120 hours at 60°C (140°F) Freezing:** –6°C (21.2°F)
Dimensions	2.1 inches (W) × 2.7 inches (D) × 1.7 inches (H)

* The cartridge life may vary. If you often print large graphics and dense text with little white space, you will use up ink cartridges faster than if you print pages with lots of white space.

** The ink freezes at –4°C (25°F) for black ink and –6°C (21°F) for color ink. It thaws in approximately 2 hours at 25°C (77°F).

- C** **Caution:**
- ❑ *The printer will be damaged if you use ink or cartridges not manufactured by EPSON or to EPSON's specifications. Do not attempt to refill ink cartridges manually. If you use substandard products with your EPSON printer, you will damage the print heads and void your warranty.*
 - ❑ *Do not use an ink cartridge after the expiration date on the package.*

Mechanical

Paper feed method:	Friction
MTBF:	4,000 power-on hours
Print head life:	1,000 million dots per nozzle
Total print volume:	75,000 pages
Dimensions and weight:	Printing Width 470 mm (18.5 inches) Depth 525 mm (20.7 inches) Height 192 mm (7.56 inches) No paper Width 470 mm (18.5 inches) Depth 344 mm (13.5 inches) Height 294 mm (11.6 inches)
Weight:	15.9 lb (7.4 kg) including the ink cartridges

Electrical

Input voltage range:	103.5 to 132 V
Rated frequency range:	50 to 60 Hz
Input frequency range:	49.5 to 60.5 Hz
Rated current:	0.6 A
Power consumption:	Approx. 20 W (during self-test)

Environmental

Temperature:	Operation	10 to 35°C (50 to 95°F)
	Storage*	-20 to 60°C (14 to 140°F)
		1 month at 40°C (104°F)
		120 hours at 60°C (140°F)
Humidity:	Operation	20 to 80% RH
	Storage* **	5 to 85% RH
	*	Stored in shipping container
	**	Without condensation

Safety Approvals

Safety standards:	UL 1950 with D3, CSA 22.2 950 with D3
R.F.I.:	FCC part 15 subpart B class B

Index

A

Accessories, EPSON, 4
Aligning the printer, 1-16
Alignment problems, 4-9
Alt button, 2-11

B

Background printing, 1-15
Banding, 4-9
Best print quality, 2, 2-4
BI-D Calibration Utility, 1-13, 1-16
Blurred image, 4-8
Brightness, 2-7
Buttons, control panel, 2-11

C

Cable, 1-2
 installing, 1-12–13
Calibrating the printer, 1-16
Canceling print jobs, 2-12
Cartridges, *see* Ink cartridges
Chooser, 1-15
Cleaning the print heads, 4-2
Clearing paper jams, 4-12–13
Cluster, 2-7
Coated papers, 3, 3-2
 loading, 3-3–4
Colors, 2-7
Condensed light, 2-12
Control panel, 2-3, 2-11–13
Controlling the printer
 through the software driver, 2-3–10
 using the control panel, 2-11–13
Copies, 2-4
Custom, 2-9

D

Darker colors, 2-6
Data light, 2-12
Draft print quality, 2, 2-4
Driver, *see* Printer driver

E

Economy light, 2-12
Economy/Condensed button, 2-11
Ejecting a page, 2-11
Electrical specifications, B-7
Enlarge, 2-10
Envelopes, 3-4
 loading, 3-6–7
 printable area, A-5
 specifications, A-3
Environmental specifications, B-8
EPSON Connection, 3
EPSON Special coated paper, 3-2
 loading, 3-3–4
Expiration date, ink cartridge, 4-11

F

Faint images, 4-8
Faster print quality, 2, 2-4
Flip Horizontal, 2-10
Font button, 2-13
Font light, 2-12
Font Substitution, 2-10

G

Graphics, choosing a halftone
 method, 2-6–7

H

Halftone methods, 2-6-7
Heavy papers, loading, 3-5-7
Help, getting, 3
Horizontal flipping of image, 2-10

I

Ink
 conserving, 2-12
 controlling the amount applied, 2-7
Ink cartridges, 4-3
 installing, 1-5-10
 life expectancy, B-6
 replacing, 4-3-6
 specifications, B-6
Input buffer, A-2
Input tray
 capacity, 4-13, A-3
 installing, 1-4
Installation
 ink cartridges, 1-5-10
 LocalTalk, 1-2-4
 printer driver, 1-13-14

L

Light images, 4-8
Lighter colors, 2-6
Lights, control panel, 2-11
Load/Eject button, 2-11

M

Maintenance, 4-2-6
Manual Feed, 2-5
Modem port, 1-13
Monitoring print jobs, 2-12

N

No Ink Cartridge light, 2-10, 4-10
Normal print quality, 2, 2-4

O

180-dpi resolution, 2-4
Operate button, 2-11
Operate light, 2-12
Orientation, 2-10
Output tray, installing, 1-4

P

Pages, 2-4
Paper, 3, 3-2
 clearing paper jams, 4-12-13
 loading coated papers, 3-3-4
 loading heavy paper, 3-4-6
 loading plain paper, 1-10-11
 printable area, A-5
 problems with ejecting, 4-14
 selecting the paper type, 2-5
 specifications, A-3
 specifying the size, 2-8-9
 storing special paper, 3-2
Paper Feed, 2-5
Paper jams
 clearing, 4-12-13
 preventing, 4-13
Paper Out light, 2-12
Paper size
 defining a new size, 2-9-10
 specifying, 2-8-9
Paper thickness lever
 adjusting for heavy paper and envelopes, 3-5
 checking the position, 1-10
Parallel interface, 1
Pattern 2-6
Pause button, 2-11
Pause light, 2-12
 problems with, 4-10
Preview, 2-6
Print back to Front, 2-5
Print dialog box, 2-3
Print heads, cleaning, 4-2

- Print jobs
 - canceling, 2-12
 - changing the order, 2-12
 - viewing, 2-12
- Print quality, 2, 2-4
 - problems with, 4-8-9
- Print speed, A-2
- Printable area, A-5
- Printer, 1
 - calibrating, 1-16
 - cleaning the print heads, 4-2
 - connecting to the Macintosh, 1-12-13
 - controlling, 2-2-13
 - problems with, 4-7-14
 - resetting, 2-11
 - setting up, 1-2-5
 - software installation, 1-13-14
 - specifications, A-2-8
 - system requirements, 1-2
 - testing, 1-12
 - transporting, 4-6-7
 - turning on/off, 1-5, 2-11
 - unpacking, 1-3
- Printer driver
 - choosing, 1-14-15
 - installing, 1-13-14
 - when to change settings, 2-2
- Printer port, 1-13
- Printer settings, 2-2-10
- Printing
 - canceling a print job, 2-12
 - changing settings, 2-2
 - coated paper, 3-3-4
 - envelopes, 3-4-6
 - heavy paper, 3-4-6
 - problems with, 4-10-12
 - transparencies, 3-3-4
- Protective materials, 1-3

Q

- Quality settings, 3, 2-4
- Queue Kit, 1-13
- Queue Monitor, 1-13, 2-14-15
 - setting preferences, 2-15

R

- RAM, 1-2
- Reduce, 2-10
- Requirements, system, 1-2
- Resetting the printer, 2-11
- Resolution, A-2
 - choosing, 2-4

S

- Safety standards, B-8
- Scatter, 2-7
- Self test, 1-12
- Setting up, 1-2-5
- Settings
 - accessing, 2-3
 - when to change, 2-2
- 720-dpi resolution, 2-4
- System requirements, 1-2

T

- Telephone, toll-free number, 3
- Testing the printer, 1-12
- 360-dpi resolution, 2-4
- Transparency film, 3-2
 - loading, 3-3-4
- Transporting the printer, 4-6-7
- Troubleshooting, 4-7-14
- Turning the printer on/off, 1-5, 2-11

U

- Unpacking the printer, 1-3

V

Vertical lines in image, 4-9

W

Warranty, 4-3

Wrinkled paper, 4-14