

# EPSON®

## STYLUS Pro and Pro XL

COLOR INK JET PRINTER

### *Setup and Software Guide for Windows®*

All rights reserved. No part of this publication may be reproduced, stored in a retrieval system, or transmitted in any form or by any means, electronic, mechanical, photocopying, recording, or otherwise, without the prior written permission of Seiko Epson Corporation. No patent liability is assumed with respect to the use of the information contained herein. Neither is any liability assumed for damages resulting from the use of the information contained herein.

Neither Seiko Epson Corporation nor its affiliates shall be liable to the purchaser of this product or third parties for damages, losses, costs, or expenses incurred by purchaser or third parties as a result of: accident, misuse, or abuse of this product or unauthorized modifications, repairs, or alterations to this product, or (excluding the U.S.) failure to strictly comply with Seiko Epson Corporation's operating and maintenance instructions.

Seiko Epson Corporation shall not be liable against any damages or problems arising from the use of any options or any consumable products other than those designated as Original EPSON Products or EPSON Approved Products by Seiko Epson Corporation.

EPSON and EPSON Stylus are registered trademarks and EPSON ESC/P 2 is a trademark of Seiko Epson Corporation.

EPSON Connection is a service mark of Epson America, Inc.

Windows printer driver copyright by Software 2000 Ltd Oxford, England. Portions copyright of Seiko Epson Corporation.

General Notice: Other product names used herein are for identification purposes only and may be trademarks of their respective owners. EPSON disclaims any and all rights in those marks.

*The Energy Star emblem does not represent EPA endorsement of any product or service.*

Copyright © 1995 by Epson America, Inc.

10/95



Printed on recycled paper with at least 10% post-consumer content

## **FCC Compliance Statement For United States Users**

This equipment has been tested and found to comply with the limits for a Class B digital device, pursuant to Part 15 of the FCC Rules. These limits are designed to provide reasonable protection against harmful interference in a residential installation. This equipment generates, uses, and can radiate radio frequency energy and, if not installed and used in accordance with the instructions, may cause harmful interference to radio or television reception. However, there is no guarantee that interference will not occur in a particular installation. If this equipment does cause interference to radio and television reception, which can be determined by turning the equipment off and on, the user is encouraged to try to correct the interference by one or more of the following measures.

- Reorient or relocate the receiving antenna.
- Increase the separation between the equipment and receiver.
- Connect the equipment into an outlet on a circuit different from that to which the receiver is connected.
- Consult the dealer or an experienced radio/TV technician for help.

### **WARNING**

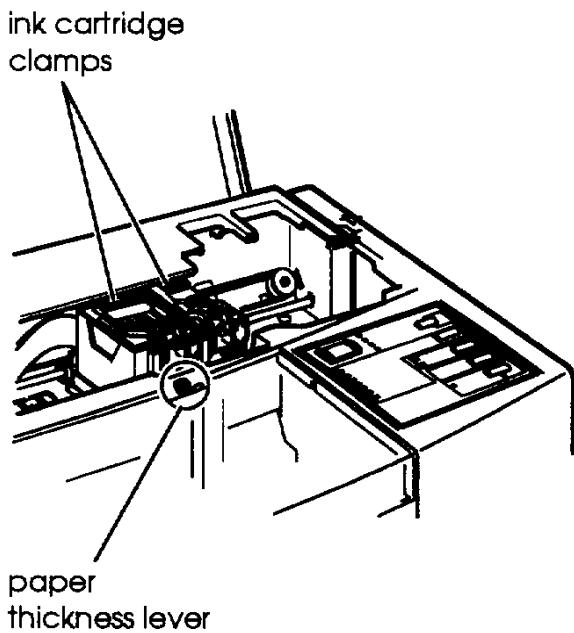
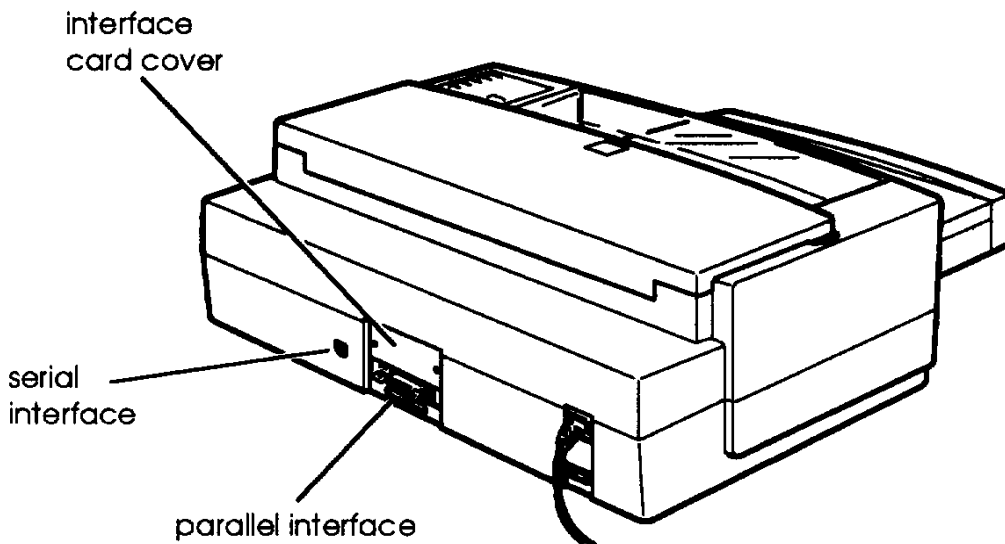
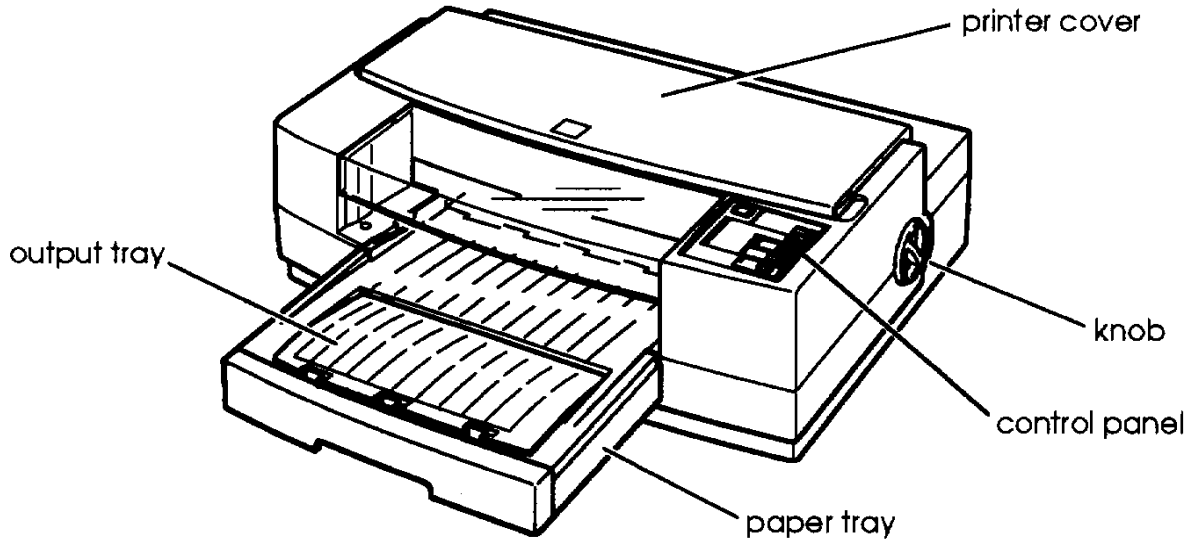
The connection of a non-shielded equipment interface cable to this equipment will invalidate the FCC Certification of this device and may cause interference levels which exceed the limits established by the FCC for this equipment. It is the responsibility of the user to obtain and use a shielded equipment interface cable with this device. If this equipment has more than one interface connector, do not leave cables connected to unused interfaces. Changes or modifications not expressly approved by the manufacturer could void the user's authority to operate the equipment.

### **For Canadian Users**

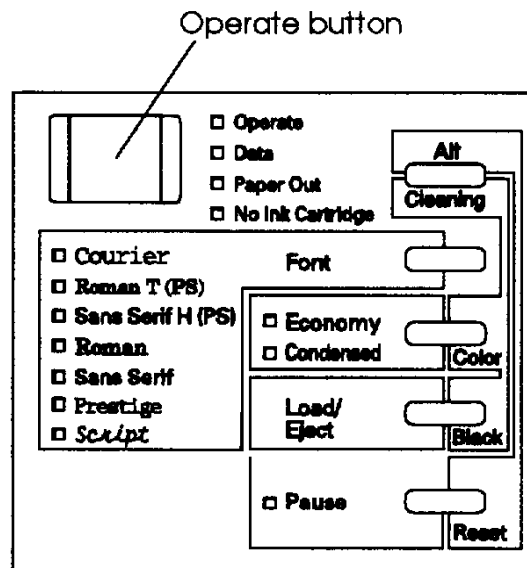
This digital apparatus does not exceed the Class B limits for radio noise emissions from digital apparatus as set out in the radio interference regulations of the Canadian Department of Communications.

Le présent appareil numérique n'émet pas de bruits radioélectriques dépassant les limites applicables aux appareils numériques de Classe B prescrites dans le règlement sur le brouillage radioélectrique édicté par le Ministère des Communications du Canada.

# Printer Parts



## Control Panel



---

# Contents

## *Introduction*

---

Getting the Most Out of Your Printer . . . . .	2
Three Resolutions to Choose From . . . . .	2
Special Papers . . . . .	3
Specially Formulated Ink . . . . .	3
Automatic Printer Driver Settings . . . . .	3
If You Are New to Color Printing . . . . .	4
Where to Get Help . . . . .	5
Electronic Support Services . . . . .	6
Important Safety Instructions . . . . .	8

## *Chapter 1 Installing the Printer*

---

System Requirements . . . . .	1-1
Setting Up the Printer . . . . .	1-1
Choosing a Location . . . . .	1-2
Unpacking the Printer . . . . .	1-2
Attaching the Paper Tray and Output Tray . . . . .	1-3
Plugging In and Turning On the Printer . . . . .	1-4
Installing the Ink Cartridges . . . . .	1-5
Checking the Paper Thickness Lever . . . . .	1-9
Loading Paper . . . . .	1-10
Testing the Printer . . . . .	1-13
Connecting the Printer to Your PC . . . . .	1-14

## *Chapter 2 Installing and Using the Printer Driver*

---

Installing the Windows Printer Driver Software . . . . .	2-1
Installing the Printer Driver Software for Windows 3.1 . . . . .	2-2
Installing the Printer Driver Software for Windows 95 . . . . .	2-4
Installing a Driver for DOS Programs . . . . .	2-6

Using the Windows Printer Driver . . . . .	2-7
Accessing the Driver . . . . .	2-7
Using the Driver Dialog Box . . . . .	2-10
Changing Settings . . . . .	2-12
Document Type . . . . .	2-13
Paper Settings . . . . .	2-15
Printing Mode/Options Settings . . . . .	2-17
Image Settings . . . . .	2-19
Halftoning Settings . . . . .	2-21

**Chapter 3   Using the Printer Driver Utilities**

---

Managing Print Jobs With Spool Manager . . . . .	3-1
Calibrating the Printer With Bi-D Calibration . . . . .	3-3

***Index***

---

---

# Introduction

The EPSON® Stylus® Pro and Stylus Pro XL are high-quality ink jet printers. They operate quietly and can print up to 16 million colors at a resolution of 720 × 720 dpi to produce full-color, photo-quality images. The printers also produce realistic grayscale images, sharp text, and line art.

The Stylus Pro and Pro XL are identical except that the Pro XL has a wide carriage that can print on oversized paper up to 13 × 19 inches. Operation of the two printers is identical, except where noted in this manual.

Your printer is easy to install and use. You simply set it up and install the Microsoft® Windows® printer driver, as described in this book.

The printer has built-in parallel and serial interfaces, so you can connect it to either an IBM® PC compatible or an Apple® Macintosh®. You can even connect both simultaneously; the printer automatically switches between interfaces.

**Note:**

*For instructions on using the printer with a Macintosh, see the Setup and Software Guide for Macintosh.*

This manual explains how to do the following:

- ❑ Set up your printer, load plain paper, connect it to your computer, and test it. See Chapter 1 to begin.
- ❑ Install and use the printer driver to print your documents. See Chapter 2 for step-by-step instructions.
- ❑ Manage your print jobs and calibrate the printer using the utilities that came with the printer driver; see Chapter 3.

After you install the printer driver, select the ReadMe icon in the EPSON program group in Windows for the latest information about your printer.

Refer to the *Reference Guide* for instructions on operating and maintaining your printer, as well as for troubleshooting guidelines and technical specifications.

---

## ***Getting the Most Out of Your Printer***

The printer supports a wide variety of settings that let you improve print quality or speed up printing. You can customize these settings with the printer driver to produce a variety of image types with EPSON's specially formulated inks and papers.

### ***Three Resolutions to Choose From***

For printed images, resolution is measured in dots per inch (dpi). Your printer has three resolutions, or printing modes: 720 dpi, 360 dpi, and 180 dpi. The higher the resolution, the more detailed and realistic the image, and the longer it takes to print.

Use 720 dpi for the best possible images. For high-quality images in less time, use 360 dpi. When speed is important and draft quality is good enough, use 180 dpi. For guidelines on selecting the best resolution for your print jobs, see Chapter 2.

## ***Special Papers***

The type of paper you use is very important. Although you get good results with plain bond paper, you will get better results by using coated papers because they do not absorb as much ink.

To ensure the best possible quality, EPSON offers special coated papers, glossy papers, and transparencies that are formulated specifically for the inks used by the printer. You can order these products directly from EPSON Accessories, as described on page 5. For more information about special papers and other media, see Chapter 1 of the *Reference Guide*.

## ***Specially Formulated Ink***

EPSON's black and color ink cartridges are specially formulated to work with EPSON papers and the printer driver to deliver the best looking images. Always use genuine EPSON ink cartridges and do not refill them. Other products may cause damage not covered by EPSON's warranty.

Make sure you use ink cartridges within six months of installing them and before the expiration date on the package.

## ***Automatic Printer Driver Settings***

The printer driver includes an automatic Document Type option that sets the Ink, Color Matching, and Halftone printer driver settings for you, as described in Chapter 2. When set, the driver analyzes the elements on a page to be printed and automatically adjusts the settings so your printed results are appropriate for the image type.



---

## ***If You Are New to Color Printing***

Color printing with the EPSON Stylus Pro or Pro XL produces amazing images, whether you print text, graphics, line drawings, photographs, or documents containing many different image types. However you use your color printer, keep the following in mind:

- ❑ You need to leave a large amount of hard disk drive space free to make room for your color images. A full-page color photographic image, for example, may require 40MB or more of disk space, depending on the resolution. To reduce the file size, you can decrease the size and resolution of your images using your printer driver and application software.
- ❑ Color printing takes time because of the complex processing required to create a color image. How much time depends on the size and type of your image, the resolution you use, the speed of your computer, and the interface type. (Serial printing takes longer than parallel printing.)
- ❑ Your screen colors will not exactly match the printed colors because your monitor screen and the printer use different methods to produce the colors you see. If you scan images using a scanner, the image goes through another interpretive process that also affects the color.

Monitors and scanners produce colors by combining red, green, and blue—the RGB method. Your monitor can produce up to 16 million colors by turning on and off the tiny red, green, and blue phosphors contained in each pixel on the screen. Colors produced this way differ from colors produced by your printer's cyan, magenta, yellow, and black (K) ink colors—the CMYK method.

Your printer driver's Document Type settings help you closely match colors as appropriate for your image type, resolution, and paper.

If you use a scanner, make sure your scanning software is set to the correct setting for ink jet printers to help you match colors. Also, your application may include image editing capabilities that let you adjust the colors.

If you need extreme precision in matching colors, you can use a color calibration system available with many software applications.

---

## ***Where to Get Help***

If you purchased your printer in the United States or Canada and you need technical assistance, you can call an EPSON Color Specialist at one of the following numbers:

- For the EPSON Stylus Pro: (800) 788-0343
- For the EPSON Stylus Pro XL: (800) 667-0664.

EPSON also provides customer support and service through a network of Authorized EPSON Customer Care Centers and provides the following services when you dial **(800) 922-8911**:

- EPSON technical information library fax service
- Product literature on current and new products
- Assistance in locating your nearest Authorized EPSON Reseller or Customer Care Center
- Technical information on the installation, configuration, and operation of EPSON products
- Customer relations.

You can purchase ink cartridges, paper, parts, printed manuals, and accessories for EPSON products from EPSON Accessories at (800) 873-7766 (U.S. sales only). In Canada, call (800) BUY-EPSON.

If you purchased your printer outside the United States or Canada, contact your EPSON dealer or the marketing location nearest you for customer support and service.

If you need help with any software program you are using, see that program's documentation for technical support information.

### ***Electronic Support Services***

If you have a modem, the fastest way to access helpful tips, specifications, drivers, application notes, tables for DIP switch or jumper settings, and bulletins for EPSON products is through the online services below.

#### ***EPSON Bulletin Board Service***

You can call the EPSON Bulletin Board Service (BBS) at (310) 782-4531. No membership is required. Make sure your communications software is set to 8 data bits with 1 stop bit, no parity bit, and a modem speed up to 28.8 Kbps. See the documentation that came with your communications software for more information.

#### ***CompuServe online support***

CompuServe® members can call the Epson America Forum on CompuServe. If you are already a member, simply type GO EPSON at the prompt to reach the Epson America Forum.

If you are not currently a member of CompuServe, you are eligible for a free introductory membership as an owner of an EPSON product. This membership entitles you to:

- An introductory credit on CompuServe
- Your own user ID and password
- A complimentary subscription to *CompuServe Magazine*, CompuServe's monthly publication.

To take advantage of this offer, call (800) 848-8199 in the United States and Canada and ask for representative #529. In other countries, call the following U.S. telephone number: (614) 529-1611, or your local CompuServe access number.

### ***World Wide Web site***

If you are connected to the Internet and have a Web browser, you can access EPSON's World Wide Web site at <http://www.epson.com>. EPSON's home page links users to What's New, EPSON Products, EPSON Connection,<sup>SM</sup> Corporate Info and EPSON Contacts. Link to the EPSON Connection for the latest drivers and FAQs (Frequently Asked Questions) and the EPSON Chat area. To get in touch with EPSON around the world, EPSON Contacts includes Contact Information for local EPSON subsidiaries.

---

## ***Important Safety Instructions***

Before using your printer, read the following safety instructions to make sure you use the printer safely and effectively.

- ❑ Turn off and unplug the printer before cleaning. Clean with a damp cloth only. Do not spill liquid on the printer.
- ❑ Do not place the printer on an unstable surface or near a radiator or heat register.
- ❑ Do not block or cover the openings in the printer's cabinet or insert objects through the slots.
- ❑ Use only the type of power source indicated on the printer's label.
- ❑ Connect all equipment to properly grounded power outlets. Avoid using outlets on the same circuit as photocopiers or air control systems that regularly switch on and off.
- ❑ Do not let the power cord become damaged or frayed.
- ❑ If you use an extension cord with the printer, make sure the total ampere rating of the devices plugged into the extension cord does not exceed the cord's ampere rating. Also, make sure the total of all devices plugged into the wall outlet does not exceed 15 amperes.
- ❑ Except as specifically explained in the *Reference Guide*, do not attempt to service the printer yourself.
- ❑ Unplug the printer and refer servicing to qualified service personnel under the following conditions:

If the power cord or plug is damaged; if liquid has entered the printer; if the printer has been dropped or the cabinet damaged; if the printer does not operate normally or exhibits a distinct change in performance. Adjust only those controls that are covered by the operating instructions.

## Chapter 1

---

# **Installing the Printer**

This chapter explains how to set up your printer and connect it to your computer. Refer to the illustrations on this manual's inside front cover to identify the printer's main components.

---

### **System Requirements**

To use your printer and its driver, we recommend that you have:

- IBM compatible computer with an 80386/25 MHz or faster processor
- Microsoft Windows 3.1, Windows for Workgroups 3.1 or Windows 95
- At least 8MB of available RAM (more for Windows 95)
- A minimum of 10MB of available hard disk space for storing images (40MB or more is recommended)
- A shielded, twisted-pair parallel cable (6 to 10 feet long) to connect your computer to the printer's built-in parallel interface; the cable must have a D-SUB, 25-pin, male connector for your computer and a 36-pin, Centronics® compatible connector for the printer
- VGA or higher standard monitor.

---

### **Setting Up the Printer**

This section explains how to set up your printer before you connect it to your computer. If you need to install an optional interface you purchased to provide additional capabilities, see Appendix A of the *Reference Guide* first.

## Choosing a Location

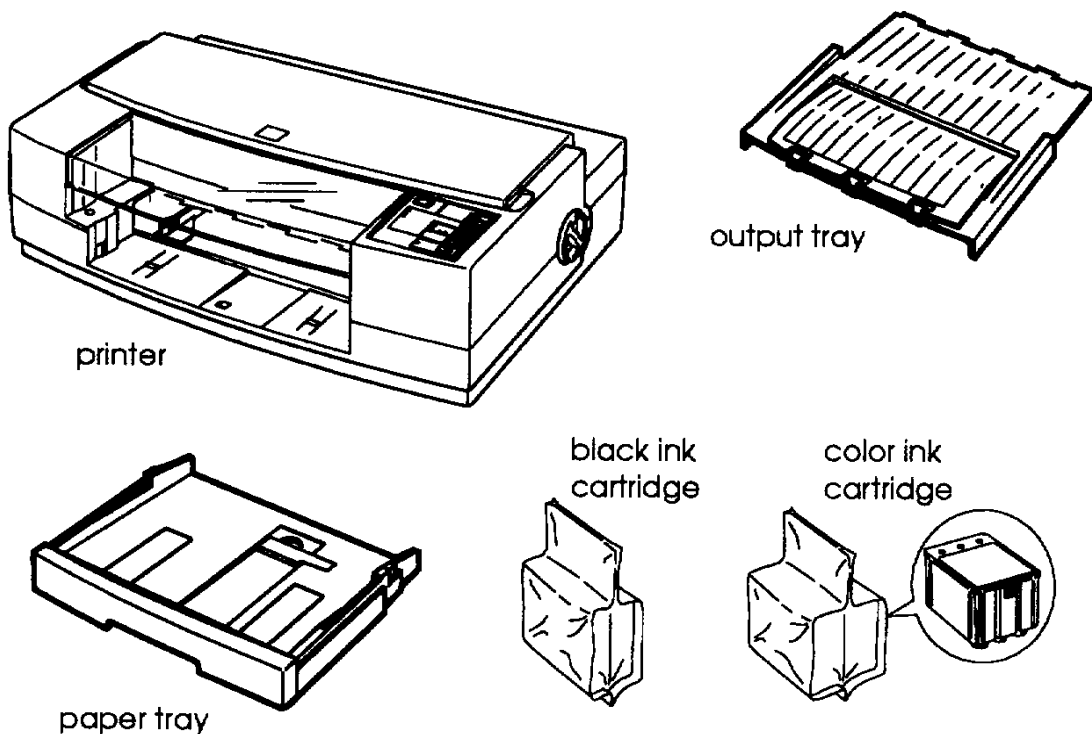
When choosing a location for the printer, use a surface that is flat, horizontal, and stable.

Avoid locations subject to rapid changes in temperature and humidity. Also keep the printer away from direct sunlight, heat sources, and sources of electromagnetic interference, such as the base units of cordless telephones.

Always leave adequate space around the printer to accommodate its cables. Also make sure nothing is touching the knob on the right side of the printer.

## Unpacking the Printer

In addition to this manual, your printer box should include two EPSON printer driver diskettes, a *Reference Guide*, a *Setup and Software Guide for Macintosh*, a package of EPSON special coated paper for 360 and 720 dpi printing, a Notice Sheet, and these items:

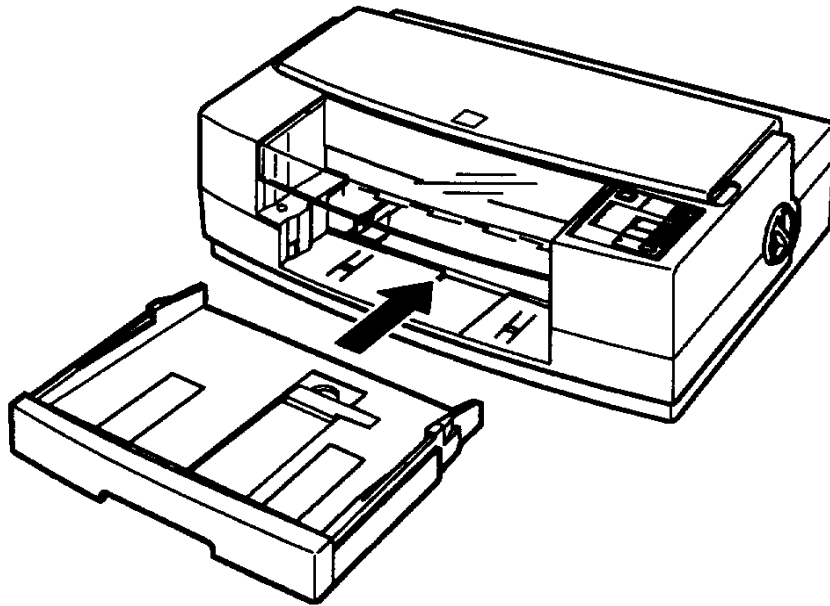


You must remove all protective materials packed around and inside your printer before you set it up and turn on the power. Follow the directions on the Notice Sheet (packed with the printer) to remove these materials.

Save all packaging and protective materials in case you need to ship the printer in the future. It should always be transported in its original packaging or equivalent materials.

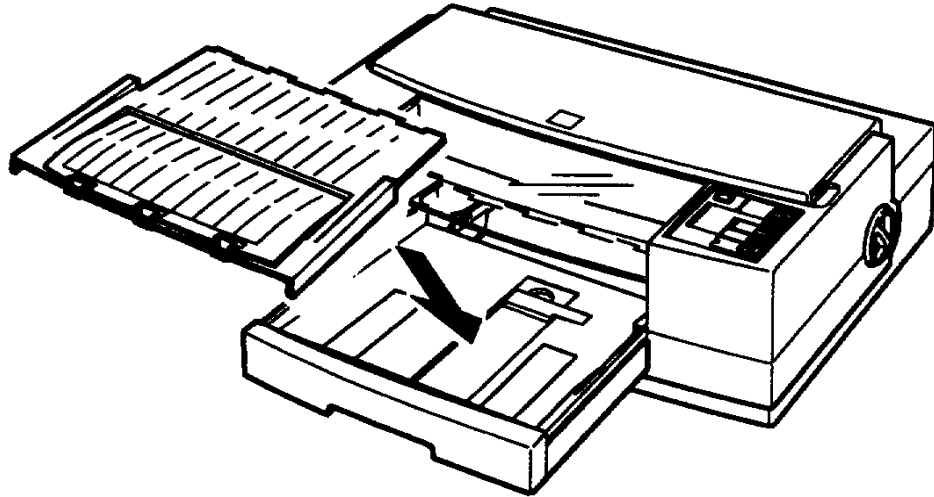
### ***Attaching the Paper Tray and Output Tray***

1. Insert the paper tray into the lower front opening of the printer and push it firmly into place.



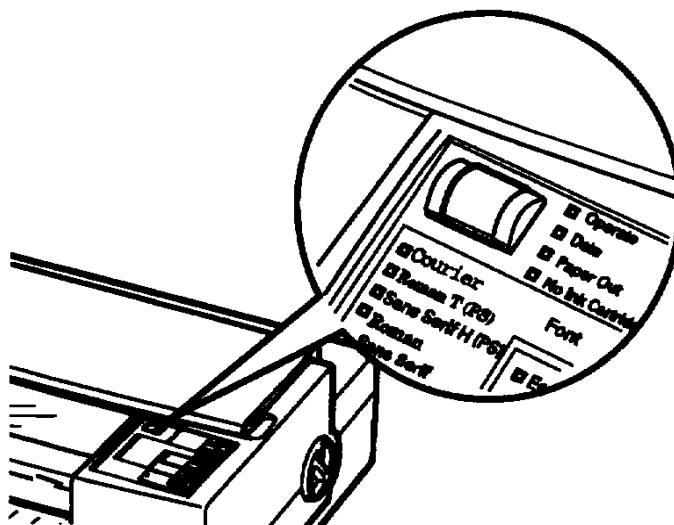


2. Install the output tray on top of the paper tray. The sides of the output tray fit over the sides of the paper tray.



### ***Plugging In and Turning On the Printer***

1. Make sure you have removed all protective packing materials from inside the printer. (See the Notice Sheet for more information.)
2. Make sure the printer is turned off by checking the position of the Operate button. The button is in the off position when its surface is even with the button protectors on each side, as shown below.



3. Plug the power cord into a properly grounded electrical outlet.
4. Turn on the printer by pressing the Operate button. The Pause light flashes while the printer initializes itself.

## ***Installing the Ink Cartridges***

Follow the steps below to install the printer's ink cartridges.



### ***Warning:***

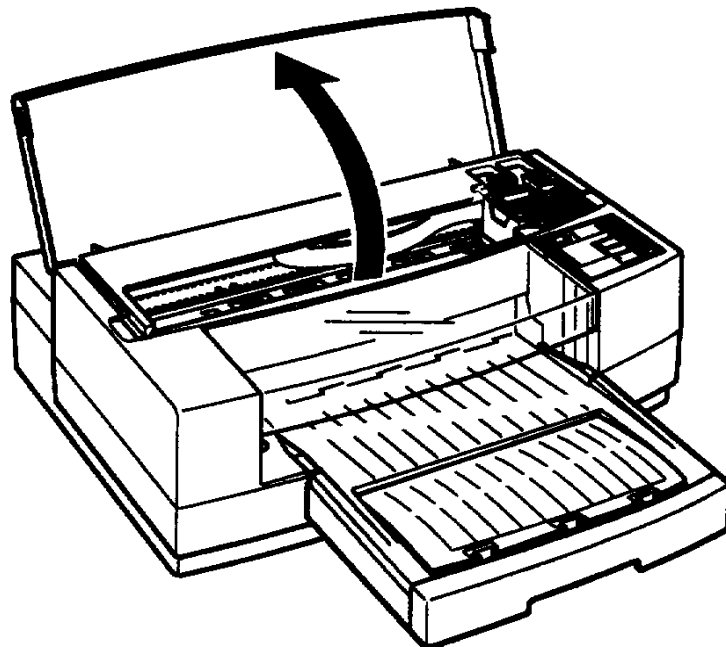
*The ink cartridges are self-contained units. Under ordinary use, ink will not leak from a cartridge. If ink gets on your hands, wash them thoroughly with soap and water. If ink gets into your eyes, flush them immediately with water.*



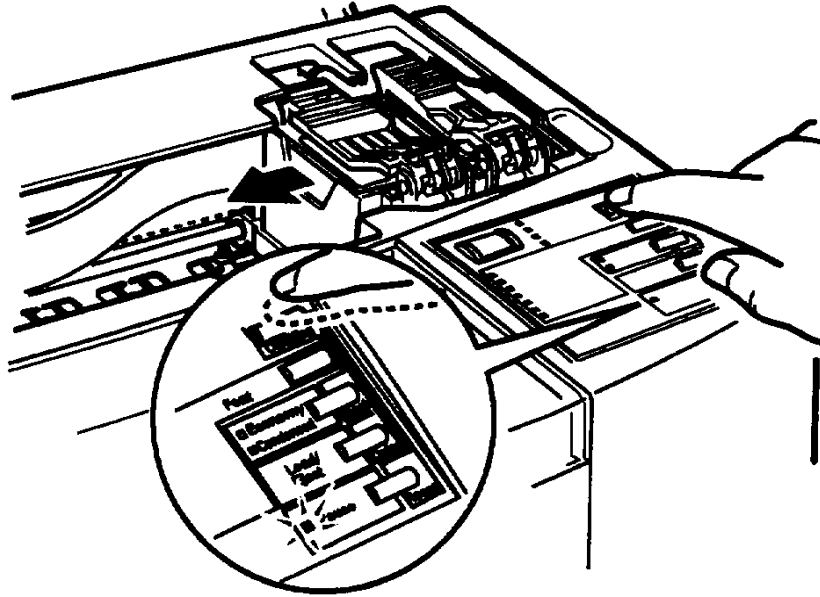
### ***Caution:***

*Do not open the ink cartridge packages until just before you install them or they may become too dry.*

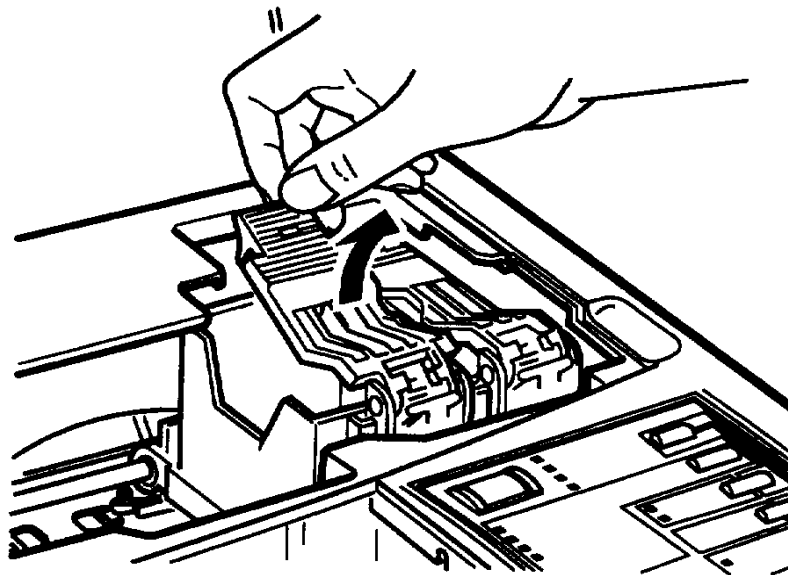
1. Make sure the printer is turned on.
2. Open the printer cover.



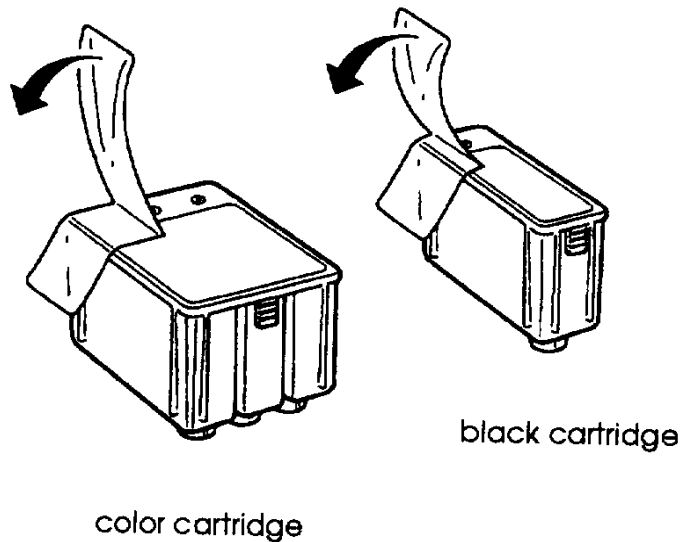
3. Press the Pause button. Make sure the Pause light on the control panel comes on.
4. Hold down the Alt button for about five seconds until the print head moves slightly left, to the the ink cartridge install position. The Pause light begins flashing.



5. Pull up each of the ink cartridge clamps to open them.



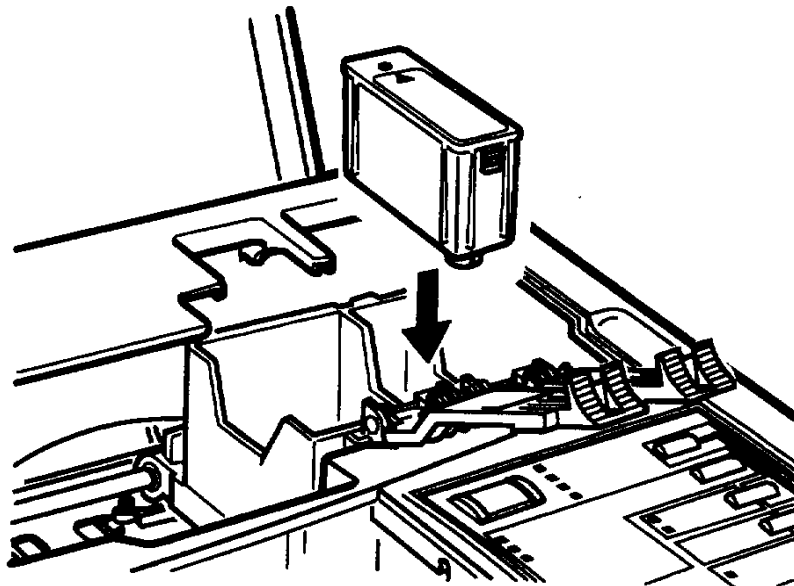
6. Open the foil ink cartridge packages and remove the cartridges. Then remove the tape seal from each ink cartridge as shown below.



**Caution:**

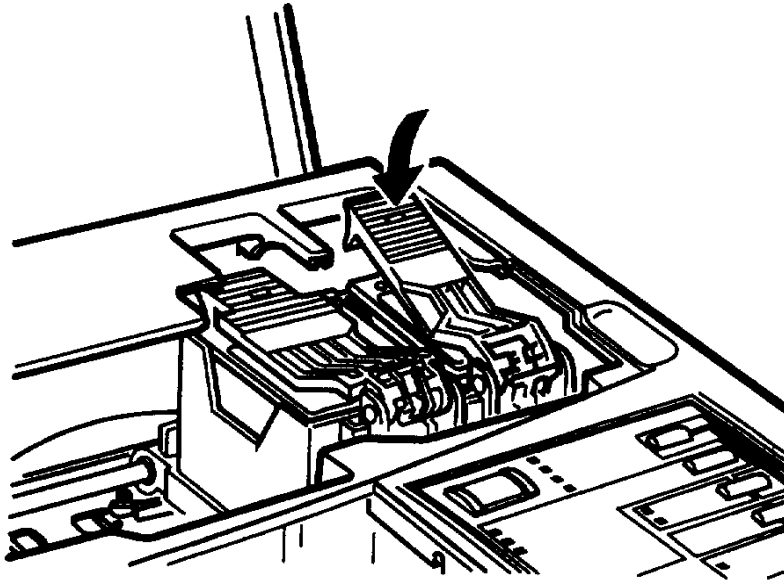
*You must remove the tape seal from the cartridges. Leaving the tape on will permanently damage them.*

7. Lower the cartridges into their holders with the label facing up and the arrow on top of the cartridge pointing toward the back of the printer. The color cartridge, which is larger, goes on the left. Install the black ink cartridge on the right.



Be sure to install both ink cartridges. The printer will not work if only one cartridge is installed.

8. Push down the ink cartridge clamps until they lock in place.



**Caution:**

*Once you install the ink cartridges, do not open the clamps or remove the cartridges except to replace them with new ones. Once you remove a cartridge, do not reuse it; this may damage the print head.*

9. Press the Alt button again to return the print head to its home position. (Even if you do not press Alt, the print head moves back to its home position about 60 seconds after you close the clamps.)

After you install the ink cartridges, the printer charges the ink delivery system. This takes about one minute. During this time, the Pause light flashes. When the printer is finished charging, the Pause light stays on without flashing.



**Caution:**

*Never turn off the printer while the Pause light is flashing.*

10. Press the Pause button.

11. Close the printer cover.

In order to maintain optimum print quality, the printer periodically performs a cleaning operation. You may notice the cleaning cycle being performed when the printer has been on for a while without being used or when you turn it on after it has been off for a while.

You may sometimes need to manually activate a cleaning cycle to clean the print heads if you notice a decline in print quality. See Chapter 3 of the *Reference Guide* for instructions.

**Note:**

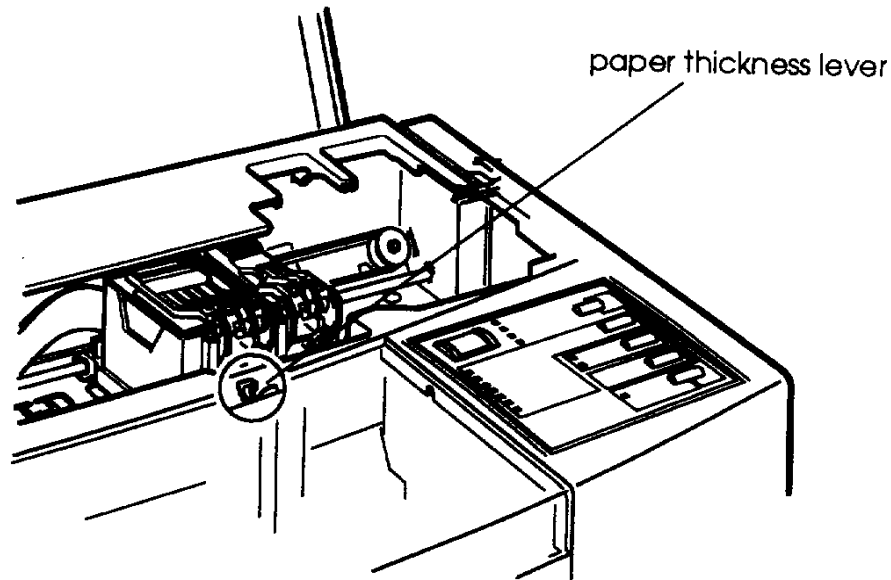
*When you need to replace ink cartridges, be sure to use only genuine EPSON ink cartridges and do not refill them. Other products may cause damage not covered by EPSON's warranty.*

## **Checking the Paper Thickness Lever**

After you install the ink cartridges, you should make sure that the paper thickness lever, which controls the distance between the paper and the printer carriage, is set correctly:

1. Make sure the printer is turned on.
2. Open the printer cover and press the Pause button.
3. While holding down the Alt button, press the Font button and release both buttons. The carriage moves left, to the lever adjusting position, and the Data light flashes.

4. Locate the paper thickness lever, which is the small blue lever in front of the ink cartridges. Try rotating this lever to the left (counterclockwise). If it cannot be rotated any further, it is in the correct position.



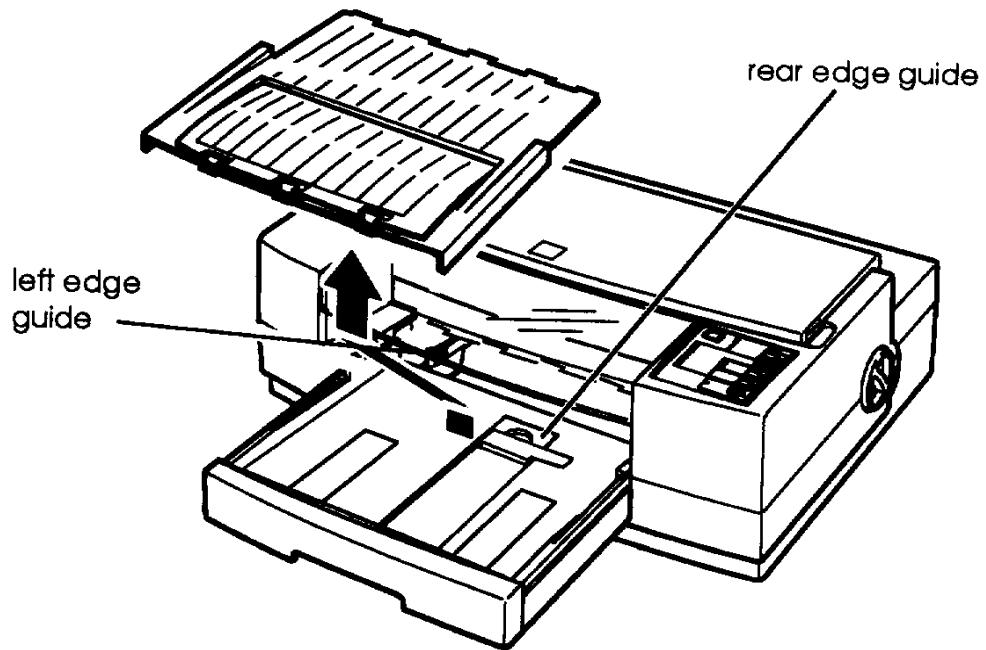
5. Press the Alt button. Then press Pause.
6. Close the printer cover.

### **Loading Paper**

The following procedure describes how to load plain bond paper. You can load up to 100 sheets of plain paper. For information on loading oversized paper, coated or glossy paper, envelopes, and transparencies, see Chapter 1 of the *Reference Guide*. (For complete specifications on the media you can use in your printer, see Appendix B of the *Reference Guide*.)

Always load paper with the printable surface down. The printable surface is marked with an arrow on most plain paper packaging.

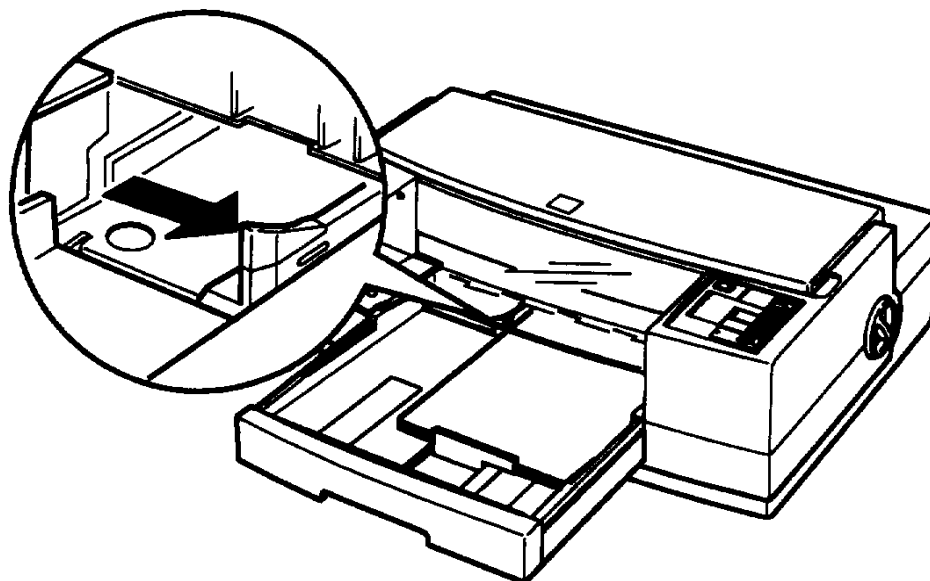
1. Remove the output tray from the top of the paper tray.



2. Slide the left edge guide inside the paper tray to the left as far as it will go.
3. Flip up the rear edge guide and slide it toward you as far as it will go.
4. Fan a stack of paper; then tap it on a flat surface to even the edges.

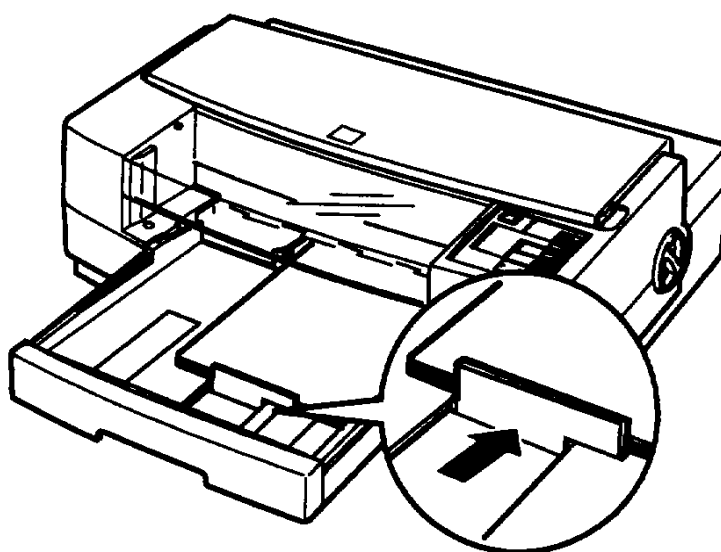


5. Load the stack of paper, printable side down, so that its right edge rests against the right side of the paper tray. Slide the stack into the tray until you feel some resistance. Then slide the left edge guide against the left edge of the paper as shown below.



You can load up to 100 sheets of plain bond paper, but do not load paper above the arrow mark on the left edge guide.

6. Slide the rear edge guide against the rear edge of the paper.



7. Place the output tray on top of the paper tray.

## Testing the Printer

Before continuing, it is recommended that you test the printer to ensure it is functioning properly. For the self test, use paper that is at least 8½ inches wide if you have the Stylus Pro, or 13 inches wide if you have the Stylus Pro XL. Otherwise, ink sprays directly onto the platen and can smear subsequent pages. Be sure to load at least several sheets of paper.

1. Press the Operate button to turn off the printer.



**Caution:**

*Never turn off the printer by unplugging it or turning off a power strip. Always turn off the printer by pressing the Operate button.*

2. Hold down the Load/Eject button and press the Operate button. Release the Operate button, but continue holding down the Load/Eject button for at least 5 seconds, until the printer advances a sheet of paper. The self test begins by printing on the first and last lines of the first sheet of paper to measure the page length. Then it prints character samples on the next sheet using the available fonts and colors.
3. To end the self test, press the Pause button. Otherwise, the test continues until the paper in the paper tray runs out. You may need to press the Load/Eject button to eject any sheet remaining in the printer.



**Caution:**

*Do not turn off the printer before pressing the Pause button.*

4. Turn off the printer.

If the quality of the test output is not good, clean the print heads as described in Chapter 3 of the *Reference Guide*.

---

## **Connecting the Printer to Your PC**

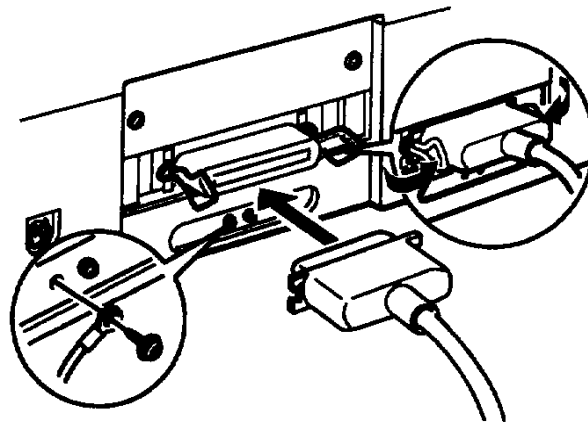
To connect your printer to your computer's parallel interface, you need a shielded, twisted-pair parallel cable (6 to 10 feet long). The cable must have a D-SUB, 25-pin, male connector for your computer and a 36-pin, Centronics compatible connector for the printer's built-in parallel interface.

**Note:**

*If you are connecting the printer to a serial interface you must install an optional serial interface board in the printer, as described in Appendix A of the Reference Guide.*

Follow these steps to connect your printer to your computer's parallel interface:

1. Make sure both the printer and computer are turned off.
2. Plug the 36-pin end of the cable connector securely into the printer's interface connector. Squeeze the wire clips together until they lock in place on both sides. If your cable has a ground wire, attach it to the ground connector below the interface connector.



3. Plug the 25-pin end of the cable into the computer's parallel interface. (See your computer manual for instructions.)
4. Turn on your computer, then turn on the printer by pressing the Operate button.

## Chapter 2

---

# **Installing and Using the Printer Driver**

This chapter describes how to install the Windows printer driver and its utilities and how to use the driver to control printer settings such as media type, document type, printing mode, and halftoning.

---

## **Installing the Windows Printer Driver Software**

A printer driver is software that allows your computer to control the printer. You must install the printer driver on the Windows printer driver diskette that came with your printer.

Also included on the diskette are two utilities: the EPSON Spool Manager and the Bi-D Calibration Utility. When you install the printer driver, the EPSON Spool Manager is automatically copied to your hard disk. You can copy the Bi-D Calibration Utility to your hard disk or run it from the diskette when needed. (See Chapter 3 for instructions on running these utilities.)

**Note:**

*It is a good idea to make a backup copy of your driver diskette.*

If you are using Windows 3.1, follow the steps in the next section to install the printer driver software. If you are running Windows 95, see page 2-4 for instructions. (If you need to install a driver for DOS programs, see page 2-6.)

If you install the driver now using Windows 3.1 and later upgrade your computer to Windows 95, be sure to reinstall the driver as described on page 2-4 after you have installed Windows 95. This is necessary to set up the driver correctly for Windows 95.

## ***Installing the Printer Driver Software for Windows 3.1***

Follow these steps to install the Windows printer driver software if you are using Windows 3.1:

1. Turn on your printer and computer.
2. Make sure Windows is running.
3. Insert the Windows printer driver diskette in a diskette drive.
4. In the File menu, select Run. You see the Run dialog box.
5. In the Command Line box, type **A:SETUP** (or **B:SETUP** if you inserted the diskette in drive B). Press **Enter** or click **OK**. You see the EPSON Printer Driver Setup dialog box.
6. Highlight Epson Stylus Pro or Epson Stylus Pro XL and click **Continue**. The installation program begins copying the driver files. You see a screen showing the progress of the installation as it proceeds.

After a few moments, the installation program creates the EPSON program group in Windows containing these three icons:

Spool Manager  
EPSON Stylus Help  
EPSON Stylus ReadMe

When the installation is complete, you see a confirmation screen.

7. Click **OK** to exit the installation program.

The installation program automatically selects the Stylus Pro or Pro XL printer as your default printer for Windows applications. It also assigns the printer driver to port LPT1.

**Note:**

*If you need to change the default printer driver or the port assignment, see the next section.*

Once the driver is installed, you can access it from your Windows application programs to control your printer settings; see page 2-7 for instructions.

### ***Changing the default printer or printer port***

If you do not want your Stylus Pro or Pro XL printer to be the default printer in Windows or if you want to use it on a different printer port, follow these steps:

1. In the Main window, double-click the Control Panel icon.
2. Double-click the Printers icon. The Printers dialog box appears.
3. In the Installed Printers pull-down list, select the printer you want to use as your default printer.
4. Click the Set As Default Printer button.

If you do not need to change the printer port assignment for the Stylus Pro or Pro XL printer, go to step 9.

5. To change the port assignment, select Epson Stylus Pro or Epson Stylus Pro XL in the Installed Printer pull-down list.
6. Click the Connect button. You see the Connect dialog box.
7. In the Ports pull-down list, select the port to which you want to assign the Stylus Pro or Pro XL printer. (See the Windows Control Panel Help utility for instructions on selecting other options in the Connect dialog box.)
8. Click OK to close the Connect dialog box.

9. Click Close to exit the Printers dialog box.
10. Exit the Control Panel.

See page 2-7 for instructions on using the printer driver.

### ***Installing the Printer Driver Software for Windows 95***

If you are using Windows 95, follow these steps to install the printer software and create an EPSON folder on your hard disk:

1. Turn on your printer and computer.
2. After Windows 95 has loaded, insert the Windows printer driver diskette in a diskette drive.
3. Click Start; then select Run. You see the Run dialog box.
4. In the Open pull-down menu, type A:SETUP (or B:SETUP if the disk is in drive B) and click OK. You see the EPSON Printer Driver Setup dialog box.
5. Highlight Stylus Pro or Stylus Pro XL in the Printer Driver pull-down menu and click Continue.
6. The installation program begins copying the files and shows the progress of the installation as it proceeds. When the status bar disappears, the installation continues for a minute or so. Wait until the EPSON folder and EPSON Printer Driver Setup confirmation screen appears. Then click OK on the confirmation screen to exit the installation program.

Your printer driver is now your default Windows printer on parallel port LPT1. If you need to change your default printer driver or the port assignment, see the next section.

The EPSON folder contains these icons:

Spool Manager  
EPSON Stylus Help  
EPSON Stylus ReadMe

Before you print using the driver, it is a good idea to calibrate the printer using the Bi-D Calibration Utility on the Windows printer driver diskette; see Chapter 3 for instructions.

### ***Changing the default printer or port***

The steps below describe how to change the default printer driver or port assignment. You need to do this only if you want to select another printer as your default printer or if you want to assign a different port as the default. For example, if you installed an optional serial card in your printer and connected it to your computer's serial port, you'll need to change the default printer port to COM1 or COM2, etc. Follow these steps:

1. Make sure Windows 95 is running.
2. Double-click the My Computer icon.
3. Double-click the Printers icon.
4. Highlight the icon for your printer and open the File menu.
5. Select the Properties option.
6. Click the Details tab.
7. To change the default printer port, under Print to the following port, select the port you want to use for your printer (COM1, LPT2, etc.).

If you select a serial port (COM1, COM2), you also need to check the port settings. Under Port Settings, select the desired baud rate, parity, etc., and click OK.



8. If you don't want your Stylus Pro or Pro XL to be the default printer, you need to change the default printer driver. Under Print using the following driver, select the printer driver you want to be the default.
9. When you are finished, click OK.

---

## ***Installing a Driver for DOS Programs***

Most DOS software programs include drivers for EPSON ESC/P 2™ printers. If the Stylus Pro or Pro XL driver is not listed in your software, choose the first printer available in the lists below. Also check with your software manufacturer to see if a Stylus Pro or Pro XL driver is available or is included with a new version of your software.

When printing in color as well as black and white, select:

LQ-860  
LQ-2550

When printing black and white only, select:

LQ-870/1170  
LQ-570(+)/1070(+)  
SQ-870/1070  
LQ-850  
LQ-500

***Note:***

*These drivers let you use your printer but do not support some of its features, such as 720 dpi and MicroWeave.*

---

## ***Using the Windows Printer Driver***

The printer driver contains a variety of settings that allow you to control your print job. For example, you can select the media type, resolution, document type and halftone settings for the type of document you are printing.

The printer comes with default values for all the settings, as listed in the table on page 2-11. You need to change the printer driver settings only when you want to use values different from the default ones.

### ***Accessing the Driver***

You can access the driver in different ways, depending on how you want to use the settings you select:

- If you want the settings to apply to all Windows applications, access the driver as described below for either Windows 3.1 or Windows 95.
- If you want the changes to apply only to the document(s) you will print in a particular Windows application, see page 2-9.

### ***Accessing the driver from Windows 3.1***

Follow these steps to access the driver from the Windows Control Panel:

1. Double-click the Control Panel icon in the Main program group.
2. Double-click the Printers icon.
3. Choose Epson Stylus Pro or Epson Stylus Pro XL from the list of Installed Printers.
4. Choose Setup. You see the printer driver dialog box shown on page 2-10.

### ***Accessing the driver from Windows 95***

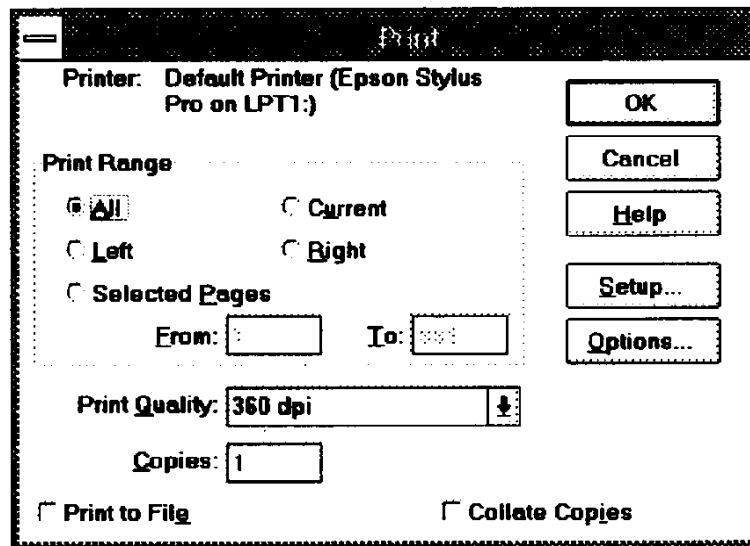
Follow these steps to access the driver from the Windows 95 My Computer group:

1. Double-click the My Computer icon.
2. Double-click the Printers icon.
3. Double-click the Epson Stylus Pro or Epson Stylus Pro XL icon.
4. Pull down the Printer menu and select Properties.
5. Click the Details tab.
6. Click the Setup button. You see the printer driver dialog box shown on page 2-10.

## Accessing the driver from Windows applications

You can access the driver by choosing Print or Print Setup from the File menu of your software program. If you choose Print Setup, you access the printer driver directly and see the dialog box shown on page 2-10.

If you choose Print, you first see a Print dialog box similar to the one shown below (depending on your software program).



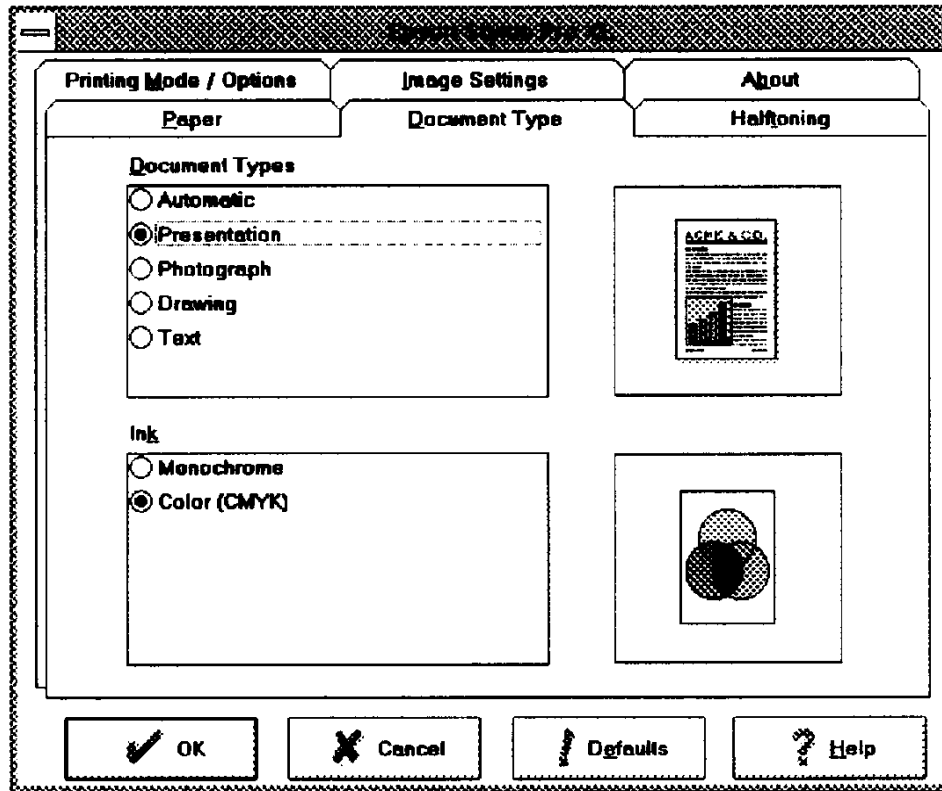
The Print dialog box contains the settings you change most often, including the number of copies and the print range. To access the printer driver settings, choose the Printer, Setup, or Options button. (You may need to select another option, depending on your software program.)

### **Note:**

*The printer driver settings you select through your Windows application apply only for the duration of your session in that application. Once you exit the application, the driver settings return to the default values selected through the Windows 3.1 control panel or Windows 95.*

## Using the Driver Dialog Box

However you accessed the printer driver, you see the following dialog box:



(If you do not see this dialog box, the driver has not been installed correctly. See page 2-1 for instructions on installing the driver.)

At the top of the screen are tabs that open various dialog boxes. The following table summarizes the settings in each dialog box. (Factory defaults are in bold type.) Detailed descriptions of the settings follow the table.

## Windows driver settings

Dialog box	Setting	Options
Document Type	Document Types	<b>Automatic</b> Presentation Photograph Drawing Text
	Ink	Monochrome <b>Color (CMYK)</b>
Paper	Paper Size	A4 210 x 297 mm A4 (Landscape)* 297 x 210 mm A4 (Centered) 210 x 297 mm A3* 297 x 420 mm Super A3/B* 13 x 19 in US B* 11 x 17 in <b>Letter 8½ x 11 in</b> Letter (Landscape)* 11 x 8½ in Letter (Centered) 8½ x 11 in Legal 8½ x 14 in Legal (Centered) 8½ x 14 in Statement 5½ x 8½ in Executive 7½ x 10 in Envelope #10 4¼ x 9½ in Envelope DL 110 x 220 mm Envelope C5 162 x 229 mm A6 Index card (not used) User Defined
	(Orientation)	<b>Portrait</b> or Landscape
	Paper Source	<b>Auto Sheet Feeder</b>
	Copies	Number (1-99) Collate (On, <b>off</b> ) Reverse Page Order (On, <b>off</b> )
Printing Mode/ Options	Printing Mode	Super - 720 dpi <b>Best - 360 dpi</b> Draft - 180 dpi
	Media Type	<b>Plain paper</b> Special coated paper for 360dpi Special coated paper for 720dpi High-quality glossy paper Transparency
	Print Options	MicroWeave (On, <b>off</b> ) High Speed (On, off)

### Windows driver settings (continued)

Dialog box	Setting	Options
Image Settings	Brightness	-50% - 0% - +50%
	Contrast	-50% - 0% - +50%
	Color Matching **	Off Vivid Photo-realistic Standard
Halftoning	Halftone **	No halftoning Error diffusion Dithering A Dithering B
About	—	Gives driver version information

\* Stylus Pro XL only

\*\* These options have no default setting; the setting is determined automatically by the Document Types setting.

## Changing Settings

To change a printer setting, open the appropriate dialog box by choosing the tab. Change one or more settings and then move to the next tab you want to change. When you have made all changes in one or more dialog boxes, choose the OK button to save all the settings. This closes the printer driver and returns you to your application program or Windows.

### **Note:**

*The availability of options or settings in a dialog box may depend on a setting selected in another dialog box. Therefore, you may not see all options or settings listed, or some of them may be grayed out.*

If you want to return all the printer driver settings to their factory defaults, choose Defaults. To exit the printer driver without saving your settings, choose Cancel.

For more information about the settings, read about them in this chapter, choose the Help button in the driver dialog box, or select the EPSON Stylus ReadMe icon in the EPSON program group or folder.

## ***Document Type***

These settings tell the printer what type of document you are printing and whether to print in monochrome (black) or color.

### Document Types

Select the document type that most closely matches the type of document you will be printing or let the printer driver select it automatically.

Automatic is the default setting. It lets the printer driver analyze the data on each page of a document and adjust the Ink, Color Matching, and Halftone settings automatically. The driver selects the ink and halftone settings based on the data contained in each entire page, but selects the color matching setting based on each object on a page, such as each graphic or block of text.

If you prefer to set the document type manually, follow these guidelines:

- Select Presentation when you are printing documents containing many graphic elements, such as charts in presentations.
- Select Photograph when you are printing photographs.
- Select Drawing when you are printing computer-generated illustrations.
- Select Text when you are printing documents containing only text.



Each of the manually set document types select predefined settings for Color Matching and Halftone, as listed in the following table.

Document Types setting	Color Matching setting	Halftone setting
Presentation	Vivid	Error diffusion
Photograph	Photo-realistic	Error diffusion
Drawing	Standard	Error diffusion
Text	Standard	Error diffusion

If you change a predefined Color Matching or Halftone setting, the driver erases the currently selected document type and uses your new settings instead.

## Ink

Specifies Color (CMYK) or Monochrome printing. CMYK refers to the printer's colored inks: cyan (blue-green), magenta, yellow, and black (K). These colors are combined to create any of 16 million colors. When you select Monochrome, the printer prints only black ink. If you are printing a color image and Monochrome is selected, the printer converts color data to grayscale values.

**Note:**

*When Automatic is the selected Document Types setting, the Ink option is not available. To select a specific Ink option, choose a different Document Types setting.*

## **Paper Settings**

The Paper settings determine the size of the document, its orientation, and copying information.

### **Paper Size**

By default, the printer expects letter-size (8.5 × 11 inches) paper. To select a different paper or envelope size, choose from the following predefined sizes:

- A4 210 × 297 mm
- A4 (Landscape)\* 297 × 210 mm
- A4 (Centered) 210 × 297 mm
- A3\* 297 × 420 mm
- Super A3/B\* 13 × 19 in
- US B\* 11 × 17 in
- Letter 8½ × 11 in
- Letter (Landscape)\* 11 × 8½ in
- Letter (Centered) 8½ × 11 in
- Legal 8½ × 14 in
- Legal (Centered) 8½ × 14 in
- Statement 5½ × 8½ in
- Executive 7½ × 10 in
- Envelope #10 4⅛ × 9½ in
- Envelope DL 110 × 220 mm
- Envelope C5 162 × 229 mm
- A6 Index card (not used)
- User Defined

\* For Stylus Pro XL only

#### **Note:**

*If you selected a country other than the United States in the Windows Control Panel International utility, the default paper size may be different. In addition, the measurement units displayed in the printable area example (beneath the Paper Size box) may be metric.*

Use one of the Centered paper sizes only if you want the image to be centered on the page and your software program does not have a setting that lets you do this. Centered images have a slightly smaller printable area.

If you select User Defined, you can create a custom paper size in the pop-up box that appears beneath the Paper Size box. Change the current Paper Width and Paper Height settings to the values you want, within these limits:

Stylus Pro:	width: 4.0 to 9.5 inches height: 4.0 to 44 inches
Stylus Pro XL:	width: 4.0 to 12.94 inches height: 4.0 to 44 inches

### Portrait or Landscape

Select either the Portrait or Landscape button to specify the orientation of the image on the page. In portrait orientation, the top of the page is parallel with the short edge of the paper. In landscape orientation, the top of the page is parallel with the long edge of the paper. Normally you should select the page orientation in your software application, not with the driver.

### Paper source

For your printer, the paper source is always Auto Sheet Feeder.

### Copies

Allows you to specify the number of copies (1 to 99), whether to collate them (print them in sets), or whether you want to print the pages in reverse order (from last page to first).

Normally you should select these three settings from the Print dialog box in your software program, not with the driver. Do not choose multiple copies in both the Print dialog box and the driver.

**Note:**

The Copies options may require additional system memory. If you see an error message or are unable to print using these options, try closing any unnecessary applications, reducing the size of your print job, turning off the Copies options, or increasing system memory.

## **Printing Mode/Options Settings**

The Printing Mode/Options settings let you define the resolution, media type, and printing options for your document. The following table shows how these settings are related to each other and which options are available in the different modes.

<b>Printing Mode setting</b>	<b>Media Type setting</b>	<b>Default Print Options *</b>
Super - 720 dpi	Special coated paper for 720 dpi	MicroWeave On High Speed Off
	High-quality glossy paper	MicroWeave On High Speed Off
	Plain paper	MicroWeave On High Speed Off
Best - 360 dpi	Special coated paper for 360 dpi	MicroWeave On High Speed Off
	Special coated paper for 720 dpi	MicroWeave On High Speed Off
	Plain paper	MicroWeave Off High Speed On
	Transparency	MicroWeave On High Speed Off
Draft - 180 dpi	Plain paper	MicroWeave Off High Speed On

\* You may not be able to change these options to a setting other than the default setting.

Be sure to select the Printing Mode before the Media Type.

## Printing Mode

Specifies a resolution of 720 dpi, 360 dpi, or 180 dpi. The higher the resolution, the sharper and finer the image.

For the best possible resolution, choose Super - 720 dpi resolution. When you select this resolution, MicroWeave is automatically turned on and High Speed mode is turned off. For best results at 720 dpi, load EPSON special coated paper for 720 dpi or high-quality glossy paper. Remember that printing at 720 dpi takes longer than 360 or 180 dpi, especially with High Speed mode turned off.

For most color printing, select Best - 360 dpi. This resolution produces good-quality, full-color images using less memory and in less time than 720 dpi. For best results at 360 dpi, use EPSON special coated paper for 360 dpi.

When speed is important and draft quality is good enough, use Draft - 180 dpi resolution.

### *Note:*

*Printing at lower resolutions conserves ink.*

## Media Type

Sets up the printer for the type of paper you loaded. Depending on your Printing Mode setting, Media Type can be one of the following:

- Plain paper
- Special coated paper for 360 dpi
- Special coated paper for 720 dpi
- High-quality glossy paper
- Transparency

For specific information on when to use each media type, see Chapter 1 of the *Reference Guide*.

## Print Options

Allows you to turn the MicroWeave and High Speed mode settings on or off.

MicroWeave reduces the possibility of banding, the light horizontal lines that can mar an image. When you turn on MicroWeave, the printer produces superior output because graphics data is reordered and printed in fine increments. It slows the print speed but is recommended for printing color and grayscale images. Because it does not improve the print quality for text and line art, turn it off to print these kinds of images faster.

When you turn on High Speed mode, the printer uses bidirectional printing, reducing the time it takes to print an image. High Speed mode is a good choice for printing text and draft printouts of other types of documents, but when you want the highest quality, always turn off High Speed mode.

**Note:**

*If the vertical lines appear misaligned when you print using High Speed mode, calibrate the printer as described in Chapter 3.*

## **Image Settings**

The Image Settings options allow you to adjust the brightness, contrast, and color correction features of your printed images. You can either let the printer driver's Automatic Document Type setting select the appropriate image settings for you or you can adjust the image settings yourself to get the desired results in your printed output.

To help you decide on the best settings, a preview of a sample image appears in the Image Settings dialog box. As you change settings, the preview image is updated accordingly.

**Note:**

*If you want to change the sample image to another bitmap (.BMP) image file, double-click the preview image area. Then, in the dialog box that appears, select any other bitmap file you may have. The image must be a 1-, 4-, or 8-bit per pixel bitmap format. If the image size is different from the original, it may appear small or incomplete in the preview image area.*

## Brightness

Controls the lightness or darkness of an image. Increase brightness to lighten an image; decrease it to darken an image.

## Contrast

Controls the degree of difference between the light and dark areas of an image. When you increase contrast, the light areas become very light and the dark areas become very dark. When you decrease contrast, the difference in intensity is reduced, making the whites and bright colors more muted and the blacks appear very dark gray.

## Color Matching

Controls the printer's color correction features based on the selected Document Type. Color Matching is automatically set to the most appropriate setting when you select a particular document type or use the Automatic setting. It is best to leave Color Matching set to the driver's selection.

The settings perform the following functions:

- Off turns off color matching so you can use your application program's color correction features.
- Vivid intensifies the colors while lightening the midtones and highlights in images such as presentation graphics and charts.

- ❑ Photo-realistic increases the contrast in images such as color photographs.
- ❑ Standard adjusts colors so they closely match the original screen colors in images such as illustrations.

## ***Halftoning Settings***

You achieve the best halftoning results when you let the printer driver's Document Type setting select the appropriate halftone method. If you selected the Automatic document type option, the driver selects the halftone setting appropriate for each page it prints.

If you selected one of the other document types, the driver selects a predefined halftone setting. If you change a predefined halftone setting, the driver erases the currently selected Document Type option and uses the halftone setting you selected.

### ***Note:***

*It is recommended that you set halftoning in the driver rather than setting the halftone or dithering options in your software.*

If you prefer to set the halftoning method manually, follow these guidelines:

- ❑ Use No halftoning to speed printing for text or monochrome line art. Do not use it when printing in color.
- ❑ Error Diffusion is best for photographic images. It creates color by randomly distributing the dots, making edges and colors softer. It takes longer to print, but it produces the best print quality for photographic images.



- Dithering A and Dithering B arrange dots in orderly patterns. The dithering method is relatively fast and is best suited for printing charts, graphs, and other images that require precise, solid areas of bright colors. Select Dithering A for images with limited detail and shading. Use Dithering B for images with significant detail but limited shading.

## Chapter 3

---

### **Using the Printer Driver Utilities**

This chapter explains how to manage print jobs that you send to the printer using the EPSON Spool Manager. It also tells you how to calibrate the printer using the Bi-D Calibration Utility if vertical lines in your printed output become misaligned.

When you install the printer driver, the EPSON Spool Manager is automatically copied to your hard disk drive. You can copy the Bi-D Calibration Utility to your hard disk or run it from the diskette when needed.

---

### **Managing Print Jobs With Spool Manager**

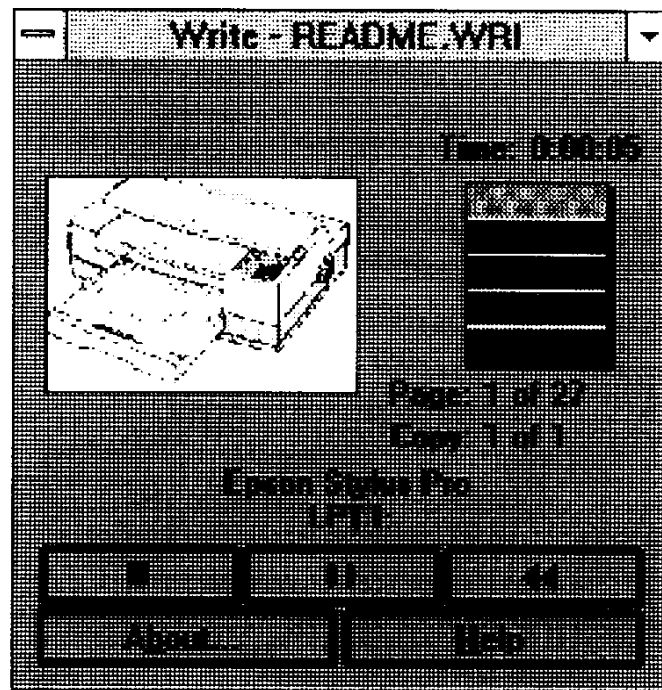
When you print a document, the computer uses the EPSON Spool Manager to send data to the printer. This allows you to continue working in your software program while printing.

When you send a print job to the printer, the Despooler status box appears in the bottom right corner of your screen and an icon for the EPSON Spool Manager appears in the lower left corner. The Spool Manager icon is also included in the EPSON group so you can manage print queues or perform other operations when you are not sending a print job.

**Note:**

*You may not see the EPSON Spool Manager icon in the bottom portion of your screen if the Windows Program Manager window or an application window is maximized. Reduce the window size to reveal the icon.*

The Despooler status box, which is similar to the one shown below, allows you to monitor the progress of the print job and cancel (■), pause (||), or restart (◀) the print job.



If you don't want the Despooler status box to appear each time you print, double-click the EPSON Spool Manager icon to open it. Then open the View menu and select Show Despooler Popup to turn it off; the check mark next to the option disappears.

Other options in the EPSON Spool Manager allow you to hold and cancel print jobs, choose what information to display in the Spool Manager window, and manage print queues and print jobs on a network. Click Help for more information.

**Note:**

*If you get error messages while trying to print, the problem may be caused by conflicts with other temporary files or directories. See "Printing Problems" in the Troubleshooting section of Chapter 3 of the Reference Guide for more information.*

---

## **Calibrating the Printer With Bi-D Calibration**

If you notice misaligned images in printouts, you can easily calibrate the printer with the Bi-D Calibration Utility. You may need to do this after moving the printer to a new location, for example. (If you're not sure if the printer needs calibration, try running a self test first, as described in Chapter 1.)

Follow these steps:

1. If you did not install the Bi-D Calibration Utility on your hard disk, insert the Windows printer driver diskette in your computer's diskette drive.
2. Make sure Windows Program Manager is running.
3. If you are using Windows 3.1, choose Run from the File menu. The Run dialog box appears.

If you are using Windows 95, click Start and then choose Run.

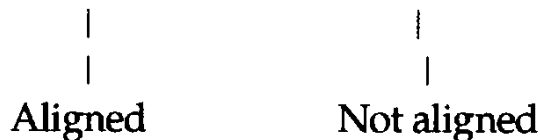
4. Type the directory name where the utility is located. For example, type `A:CALIBRAT` (or `C:\directory\CALIBRAT` if the file is on your hard disk). Then press Enter or choose OK.
5. When you see the Calibration Utility screen, make sure Stylus Pro or Pro XL is selected as the printer for calibration. If it isn't, use ↑ or ↓ to select it.

Also make sure Print calibration pattern is selected at the bottom of the screen. (Use the Tab key to move down, if necessary.)

6. Press Enter to select Calibrate. The printer starts calibrating.

7. The next screen prompts you to align the black and color heads. Press **Enter** to choose **Yes**. (To align only the black print head, press **Tab** to select **No**.)

Wait for 1 minute while the printer prints a page of multiple patterns of vertical lines, each identified by an offset value. In most patterns, the vertical lines are slightly misaligned. Look for the pattern that is most closely aligned.



8. Enter the offset value of the pattern that is most closely aligned and select **Continue**. The printer prints a confirmation sheet using the offset value for the pattern you selected.  
  
If the lines are not aligned, enter another alignment value and select **Re-Align**; then press **Enter** to repeat the calibration.
9. When you are satisfied with the results, select **Continue** to print a high speed calibration pattern. The printer prints a page of black text with a list of offset values.
10. Enter the best alignment value and select **Continue**. The printer prints a confirmation page. If you are not happy with the alignment, select **Re-Calibrate** to repeat the process.
11. When you are satisfied with the alignment, select **Done** to exit the Calibration utility.

---

# Index

## A

- About tab, printer driver, 2-12
- Accessories, purchasing, Intro-5
- Aligning vertical lines, 2-19, 3-1, 3-3-4
- Attaching trays, 1-34
- Auto sheet feeder, 2-11, 2-16
- Automatic option, Intro-3, 2-11, 2-13-14, 2-19-21

## B

- Backing up driver diskette, 2-1
- Banding, 2-19
- Bi-D Calibration Utility, 2-1, 3-1, 3-3-4
- Bidirectional printing 2-19
- Black ink cartridge, see Ink cartridges
- Brightness setting 2-12, 2-19-20
- Bulletin Board Service, Intro-6

## C

- Cable, printer, 1-14
- Calibrating the printer, Intro-5, 2-2, 2-19, 3-1, 3-3-4
- Canceling print jobs, 3-2
- Cartridges, see Ink cartridges
- Cleaning print heads, 1-9, 1-13
- CMYK, Intro-4, 2-11, 2-14
- Coated papers, Intro-3, 2-11, 2-17-18
- Collate setting, 2-11, 2-16
- Color Specialist, Intro-5
- Color ink cartridges, see Ink cartridges
- Color matching
  - guidelines, Intro-5
  - setting Intro-3, 2-12-14, 2-20-21
- Color printing guidelines, Intro-4-5

- CompuServe, Intro-6-7
- Connecting printer to PC, 1-14
- Contrast setting 2-12, 2-19-20
- Copies setting, 2-11, 2-16-17
- Cord, power, Intro-7-8, 1-5
- Customer support, Intro-5-7

## D

- Data light, 1-9
- Default printer, changing, 2-3
- Default settings, printer driver, 2-7, 2-10-12
- Despooler, 3-1-2
- Dialog box, printer driver, 2-10-12
- Diffusion, error, 2-12, 2-14, 2-21
- Disk space, Intro-4, 1-1
- Dithering 2-12, 2-22
- Document Type setting, Intro-3, Intro-5, 2-11, 2-13-14, 2-19-21
- DOS printer drivers, 2-6
- Dpi, Intro-2
- Draft printing 2-17-18
- Drawing option, 2-11, 2-13-14
- Driver, see Printer driver

## E

- Electromagnetic interference, 1-2
- Electronic support services, Intro-6-7
- Envelopes, 2-15
- EPSON
  - Accessories, Intro-5
  - America Forum, Intro-6
  - Bulletin Board Service, Intro-6
  - Color Specialist, Intro-5
  - Customer Care Centers, Intro-5
  - ESC/P2, 2-6
    - folder, 2-4-5, 2-13
    - papers, Intro-3

EPSON (continued)  
  Spool Manager, 2-1, 2-5, 3-1-2  
  Stylus Help icon, 2-5  
  Stylus Readme icon, Intro-2, 2-5, 2-13  
  Web site, Intro-7  
Error diffusion, 2-12, 2-14, 2-21  
Error messages, 3-3  
ESC/P2, 2-6

## F

Fast printing, 2-18  
Feeder, see Auto sheet feeder  
Film, see Transparencies

## G

Glossy paper, Intro-3, 2-11, 2-17-18  
Grayscale, Intro-1, 2-14  
Ground wire, 1-14

## H

Halftoning settings, Intro-4, 2-12-14,  
  2-21-22  
Hard disk space, 1-1  
Help icon, 2-5  
Help, where to get, Intro-5-7  
High Speed mode, 2-11, 2-17-19  
Humidity, 1-2

## I

Image settings, 2-12, 2-19-21  
Ink  
  conserving 2-18  
  delivery system, charging, 1-8  
  setting, Intro-4, 2-11, 2-13-14  
Ink cartridges  
  clamps, 1-6, 1-8  
  installing, 1-5-9  
  replacing 1-9  
  tape seal, 1-7  
  unpacking 1-2

Interfaces  
  parallel, Intro-1, 1-14, 2-4  
  serial, Intro-1, 1-14, 2-5-6  
Internet, Intro-7

## L

Landscape setting 2-11, 2-16  
Left edge guide, 1-11  
Lever, paper thickness, 1-9-10  
Lines  
  aligning 2-19, 3-1, 3-3--4  
  light horizontal, 2-19  
Loading paper, 1-10-12  
Location, choosing for printer, 1-2

## M

Macintosh, Intro-1  
Managing print jobs, 3-1-2  
Manuals, how to use, Intro-1-2  
Media Type setting, 2-11, 2-17-18  
Messages, error, 3-3  
Microsoft Windows, see  
  Windows 3.1, Widows 95  
MicroWeave, 2-7, 2-11, 2-17-19  
Monitor, Intro-4, 1-1  
Monochrome option, 2-11, 2-14  
Moving the printer, see Transporting  
  the printer

## N

No halftoning option, 2-1 2,2-21  
Notice Sheet, 1-2-3

## O

Offset value, 3-4  
Online support, Intro-6-7  
Operate button, 1-4-5, 1-13  
Orientation of paper, 2-11, 2-16  
Output tray, 1-2--4, 1-11-12  
Oversized paper, 1-10

## **P**

Page order, reverse, 2-11, 2-16

### **Paper**

- centered, 2-15-16
- coated, Intro-4, 2-11, 2-17-18
- copies setting, 2-11, 2-16-17
- glossy, Intro-3, 2-11, 2-17-18
- height, 2-16
- loading paper, 1-10-12
- ordering EPSON, Intro-5
- orientation setting, 2-11, 2-16
- printable surface, 1-10
- selecting size, 2-11, 2-15-16
- selecting type, 2-11, 2-17-18
- source setting 2-11, 2-16
- special, Intro-3, 2-11, 2-17-18
- transparencies, 2-11, 2-17-18
- user-defined size, 2-11, 2-15-16
- width, 2-16

Paper thickness lever, 1-9-10

Paper tray, 1-24, 1-11-12

Parallel interface, Intro-1, 1-14, 2-4--6

Pause light, 1-6, 1-8

Pausing print jobs, 3-2

Photo-realistic option, 2-12, 2-14, 2-27

Photograph option, 2-11, 2-13-14

Plain paper, loading, 1-10-12

Plugging in printer, 1-4-5

Portrait setting, 2-11, 2-16

### **Ports**

- changing, 2-3, 2-5-6
- parallel, 1-14, 2-4
- serial, 1-14, 2-5-7

Power cord, Intro-7-8, 1-5

Power switch, see Operate button

Presentation option, 2-11, 2-13-14

Preview image, 2-20

### **Print**

- dialog box, 2-9
- direction, 2-19
- heads, cleaning, 1-9, 1-13
- jobs, managing, 3-1-2
- options, 2-11, 2-17-19
- speed, Intro-2, 2-17-19

### **Printer**

- cable, 1-14
- calibrating, 3-34
- cleaning the print heads, 1-9, 1-13
- connecting/ 1-14
- default, changing 2-3, 2-5-6
- driver, see Printer driver
- installing 1-1-14
- plugging in, 1-4-5
- port assignment, 2-3, 2-5-6
- setting up, 1-3-12
- system requirements, 1-1
- testing 1-13
- transporting 1-3, 3-3
- turning on and off, 1-4-5, 1-13
- unpacking, 1-2-3

### **Printer driver**

- About tab, 2-12
- accessing, 2-7-10
- default settings, 2-7, 2-10--12
- dialog box, 2-10-12
- diskette, 1-2, 2-1
- DOS, 2-6
- help button, 2-13
- installing) 2-1-8
- settings, Intro-3, Intro-5, 2-10-22
- using, 2-7-22
- utilities, 2-1, 3-1-4



## Printing

- bidirectional, 2-19
  - canceling, 3-2
  - draft, 2-17-18
  - fast, 2-18
  - managing, 3-1-2
  - pausing, 3-2
  - restarting, 3-2
- Printing Mode setting, 2-11, 2-17-19
- Protective materials, removing 1-3

## R

- RAM requirements, 1-1
- ReadMe icon, Intro-2, 2-5, 2-13
- Reference Guide, Intro-2, 1-2
- Requirements, system, 1-1
- Resolution
- definition Intro-2
  - selecting, 2-11, 2-17-18
- Restarting print jobs, 3-2
- Reverse page order, 2-11, 2-16
- RGB method, Intro-4

## S

- Safety instructions, Intro-8
- Scanners, Intro-4-5
- self test, 1-13
- Serial interface, Intro-1, 1-14, 2-5-6
- Service, Intro-5, Intro-8
- Shading, see Grayscale
- Sheet feeder, auto, 2-11, 2-16
- Special papers, Intro-3, 2-11, 2-17-18
- Spool Manager, 2-1, 2-5, 3-1-2
- Standard option, 2-11, 2-21
- Stylus Help icon, 2-5
- Stylus Readme icon, Intro-2, 2-5, 2-13
- Support, online, Intro-6--7
- System requirements, 1-1

## T

- Technical assistance, Intro-5-7
- Telephone numbers, Intro-5-7
- Temperature, 1-2
- Testing the printer, 1-13
- Text option, 2-11, 2-13-14
- Transparencies, Intro-3, 2-11, 2-17-18
- Transporting the printer, 1-3, 3-3
- Turning the printer on and off,
- 1-4--5, 1-13
  - before cleaning, Intro-7

## U

- Unpacking the printer, 1-2-3
- Unplugging printer before cleaning,
- Intro-7
- Utilities, printer driver, 2-1, 3-14

## V

- Vertical lines, aligning, 2-19, 3-1,
- 3-34
- VGA monitor, 1-1
- Vivid option, 2-12, 2-20

## W

- Web site, Intro-7
- Windows 3.1
- accessing driver, 2-8
  - installing driver, 2-14
- Windows 95
- accessing driver, 2-8
  - installing driver, 2-1, 2-14
- Windows applications
- accessing printer driver, 2-9
- World Wide Web, Intro-7