

Epson Stylus Photo RX600

Epson Stylus® Photo RX600

Start Here

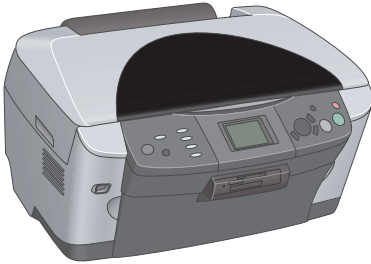


CPD-17415
4048047-00
XXX

1

Unpack

- 1** Make sure you have all the parts shown here. If any parts are missing, contact Epson® as described on the back of this sheet.



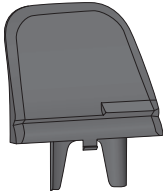
Epson Stylus Photo RX600



Ink cartridges
(6 total)



User's Guide



Paper support



Film holder

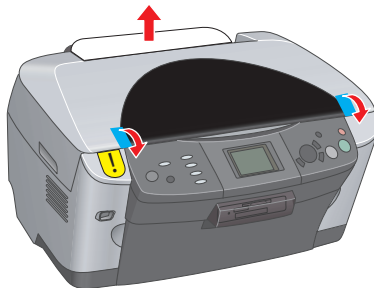


Software
CD-ROM




*How to Copy
and Print*

- 2** Remove all the tape, foam, and protective plastic from the top of the RX600.

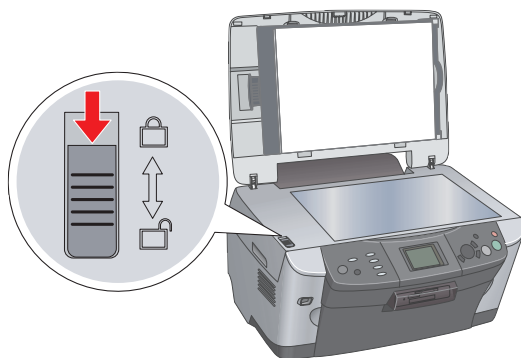


2

Unlock the Scanner

- 1 Open the scanner lid.
- 2 Remove the white instruction sheet covering the scanner glass.
- 3 Slide the transportation lock to the  unlocked position.

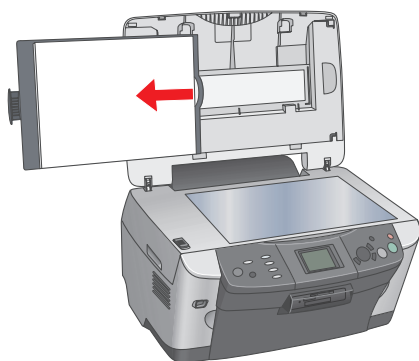
Caution: You must unlock the scanner, or it won't work.



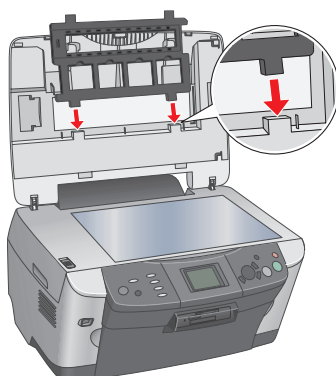
3

Store the Film Holder

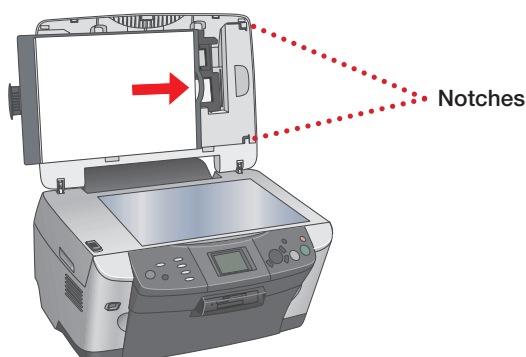
- 1 Slide the document mat handle to the left and remove the document mat.



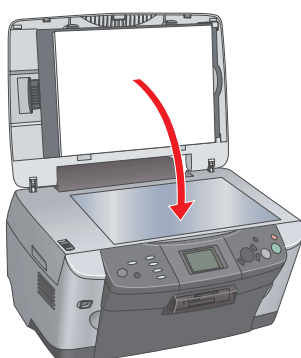
- 2 To store the film holder behind the mat, hold it so the labeling faces out and insert the tabs in the notches inside the scanner lid.



- 3 Place the tabs on the right side of the document mat in the notches inside the scanner lid. Then place the handle on the left inside its notch and slide the mat to the right to lock it in place.



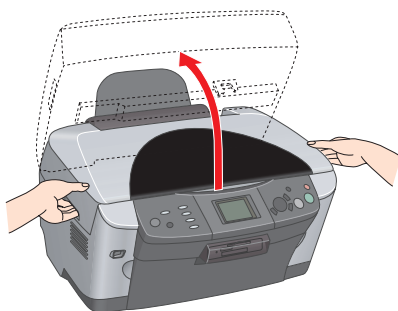
- 4 Close the scanner lid.



4

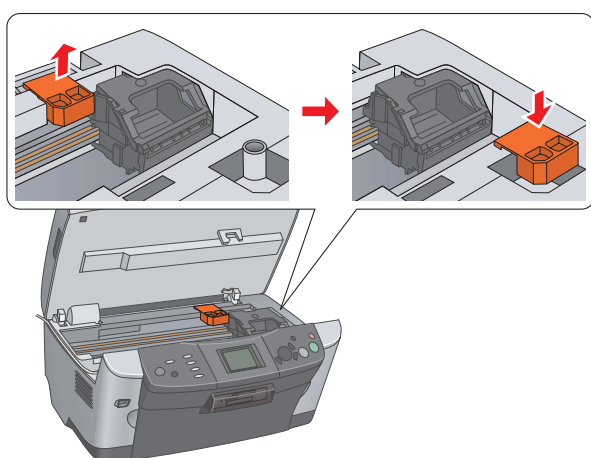
Unlock the Printer

- 1 Lift up the entire scanner unit using the handles on the side.
- 2 Remove the clear plastic sheet inside.

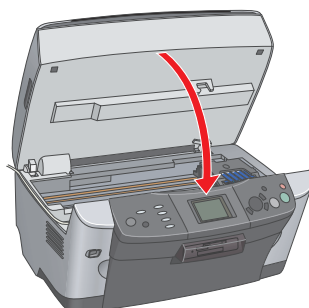


- 3 Remove the orange plastic print head lock and store it in the storage area.

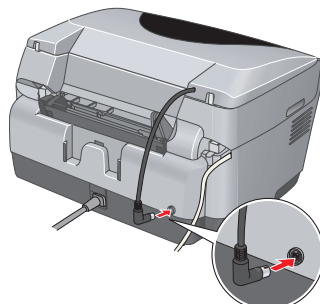
Caution: You must remove the orange print head lock or the RX600 won't work.



- 4 Close the scanner unit.



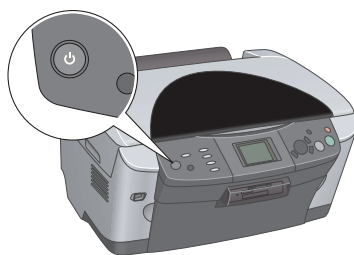
- 5 Connect the short cable leading from the scanner lid to the round TPU connector on the back of the RX600.
Position the connector as shown here before pushing it in. Don't force it in.



5

Plug In and Turn On

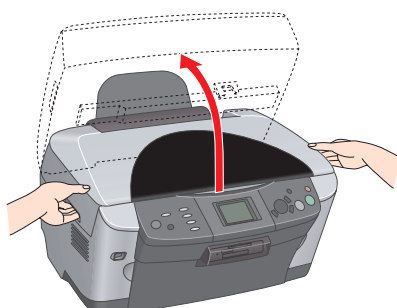
- 1 Plug the RX600 into a grounded electrical outlet. **Do not connect the USB cable yet.**
- 2 Press and hold the On button until the Mode and Setup lights flash.



6

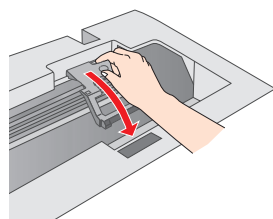
Install Ink Cartridges

- 1 Press the Color button on the front of the RX600. The print head moves into loading position.
- 2 Lift up the entire scanner unit.



continue

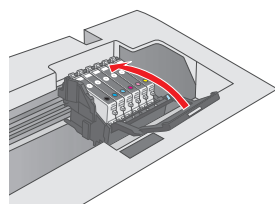
3 Open the cartridge cover by pulling it toward you.



4 Remove the ink cartridges from their packages.

Caution: You must install all the cartridges and leave them installed for all types of printing. To avoid damaging the RX600, never move the print head by hand.

5 Lower each cartridge into the holder marked with the corresponding color.



6 Press down on each cartridge until it clicks into place. Then close the ink cartridge cover until it clicks into place.

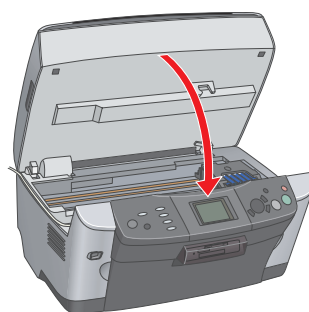
Caution: Don't force the cartridge cover closed. If it doesn't close easily, open it and make sure all the cartridges are firmly seated.

7 Lower the scanner unit.

The RX600 begins charging the ink delivery system.

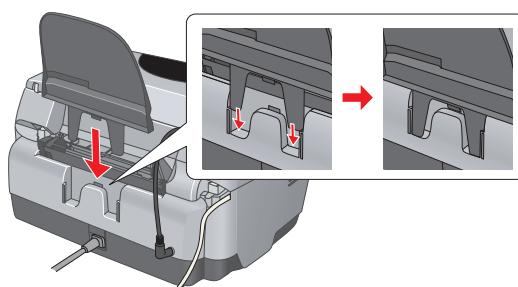
Charging takes about 2 minutes. Initial charge appears on the RX600 screen.

Caution: Don't turn the RX600 off while you see the **Initial charge** message or you'll waste ink.

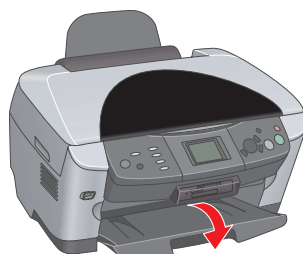


7 Load Paper

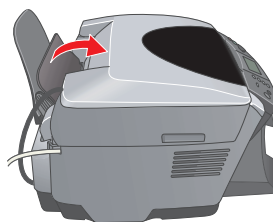
1 Insert the paper support into the two slots on the back of the RX600.



2 Open the output tray.

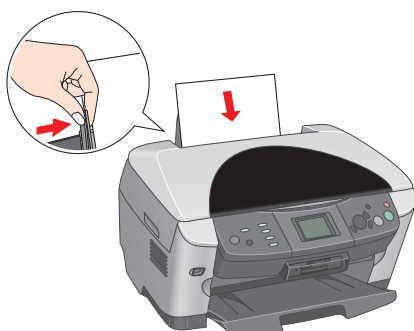


3 Flip the feeder guard forward.



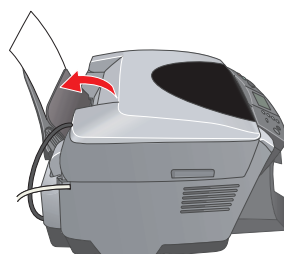
4 Place a stack of paper in the top of the RX600, between the edge guides and beneath their tabs.

Then slide the left edge guide against the paper, but not too tightly.



5 Flip the feeder guard back over the stack of paper.

Note: If you don't flip the feeder guard back, your paper may jam.



Turn over.....➔

8

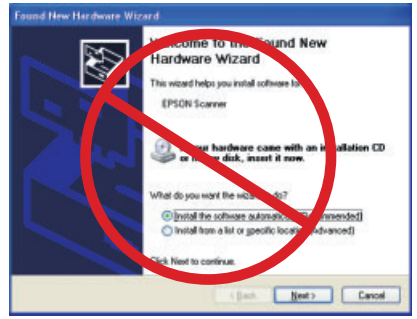
Install Software and Connect to Your Computer

The software works with Windows® 98SE, Me, 2000, and XP, and Macintosh® OS 9 and OS X 10.2 and later.

Windows

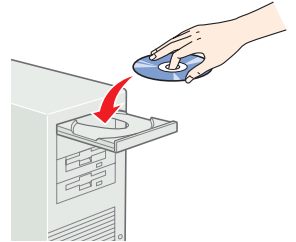
- 1 Make sure the RX600 is not connected to your computer. Then turn on your computer.

Note: If your RX600 is turned on and connected, you may see several New Hardware screens. Click **Cancel** on each of these screens and disconnect the RX600. You can't install your software that way.



- 2 Insert the Epson CD-ROM in your CD-ROM or DVD drive.

Note: If you're using Windows XP and you see a message asking what to do with your CD, click **Cancel**.



- 3 When you see this screen, click **Install**:
If this screen doesn't appear, do the following:

Windows XP: Click **Start > My Computer**. Then double-click the **EPSON CD-ROM** icon.

For Windows 98/Me/2000: Double-click **My Computer**. Then double-click the **EPSON CD-ROM** icon.

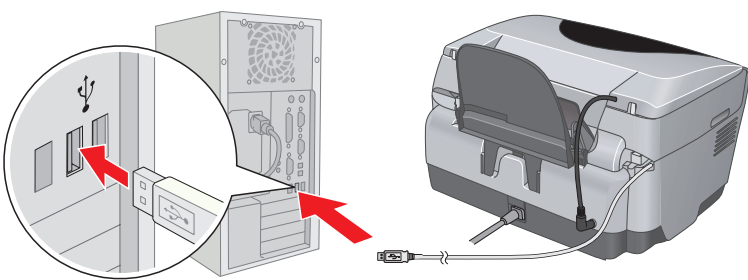


- 4 Read and agree to the license agreement to continue.

You see this screen and the installer begins copying several software programs to your computer:

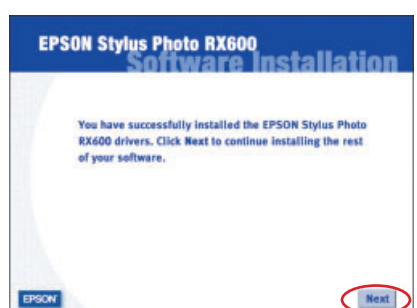


- 5 When you see this screen, connect the USB cable extending from the RX600 to any open USB port on your computer. Several messages appear on the screen. Wait for all the screens to disappear.



Note: If the blue USB screen doesn't disappear, make sure the RX600 is turned on and securely connected to your computer. If you see a message about a Hi-speed device plugged into a non-Hi-speed hub, close the message screen.

- 6 When you see a message that you have successfully installed the RX600 drivers, click **Next**.



continue

7 Continue following the on-screen instructions to install the rest of your software:

- Epson Smart Panel™ and its components
- ABBYY® FineReader® Sprint
- ArcSoft® PhotoImpression™
- On-screen *Reference Guide*

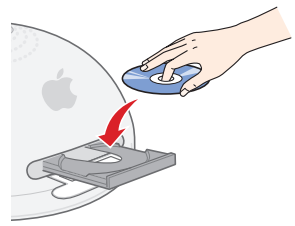
Note: Installation may take several minutes. Don't cancel the installation or start other programs.

- 8** When installation is finished, click **Print Test Page** to make sure your software is installed correctly.
- 9** After the test page prints, click **Exit**. You see the product registration screen.
- 10** Register your RX600 with Epson as instructed.
- 11** At the restart screen, click **OK**. Then remove the CD-ROM and restart your computer.

Now you're ready to copy, scan, and print! See "Any Questions?" to the right to find out how.

Macintosh

1 Insert the Epson CD-ROM in your CD-ROM or DVD drive.



2 Double-click the **EPSON CD-ROM** icon to open its window, if necessary. Then double-click the **EPSON** installer icon inside it.



3 When you see this screen, click **Install**:

4 Read and agree to the license agreement to continue.

5 Follow the on-screen instructions to install several software programs. Also restart your Macintosh when prompted.

Note: Installation may take several minutes. Don't cancel the installation or start other programs.

6 After restarting, double-click the **EPSON CD-ROM** icon to open its window, if necessary. Then double-click the **EPSON** installer icon inside it.

7 When you see this screen, click **Install** to finish installing your software:

You'll install:

- Epson Smart Panel and its components
- ABBYY FineReader Sprint
- ArcSoft PhotoImpression
- On-screen *Reference Guide*

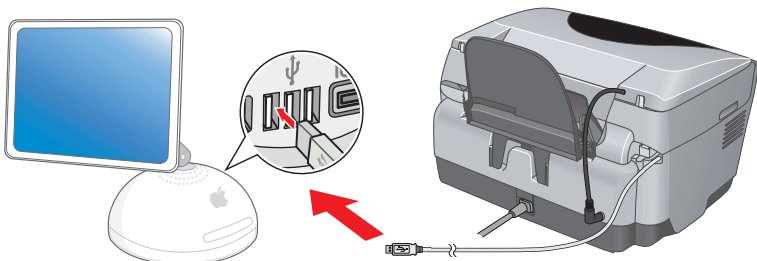
Note: Installation may take several minutes. Don't cancel the installation or start other programs.



8 When installation is finished, click **Exit**. You see the product registration screen.

9 Register your RX600 with Epson as instructed, then remove the CD-ROM.

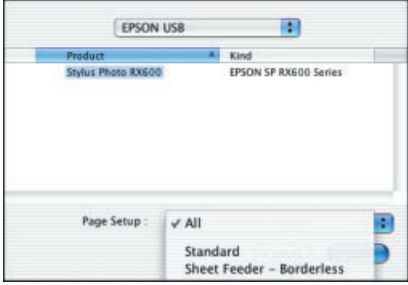
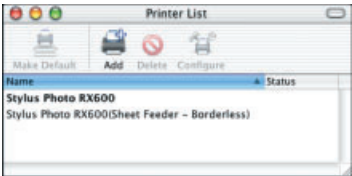
10 Connect the USB cable extending from the RX600 to any open USB port on your Macintosh. Also make sure the RX600 is turned on.



11 Follow the instructions in one of the next sections to select the RX600 as your printer in OS X or OS 9.

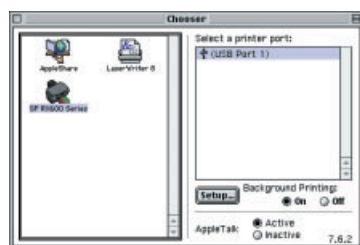
continue

Selecting the RX600 in Mac OS X

- 1 Open the OS X Applications folder, then open the Utilities folder and start **Print Center** or the **Printer Setup Utility**.
Note: If you see a screen asking if you'd like to add a printer, click **Add**.
- 2 On the Printer List screen, click the **Add** button.
- 3 On the next screen, select **EPSON USB** from the pull-down menu.
- 4 Click **Stylus Photo RX600**.
Note: If the RX600 doesn't appear, make sure it is turned on and securely connected to your Macintosh.
- 5 Open the **Page Setup** menu at the bottom of the screen and select **All**.
- 6 Click the **Add** button. The Printer List now includes two entries for your printer.
- 7 Close Print Center or the Printer Setup Utility.
- 8 If you print or scan with Mac OS 9 applications, restart your Macintosh in OS 9 and repeat all the steps under "Macintosh" to install the necessary software for them. Then remove the CD-ROM.

Selecting the RX600 in Mac OS 9

- 1 Open the Chooser from the Apple menu.
- 2 Select the **SP RX600 Series** icon, then click your **USB** port icon and turn on background printing.
- 3 Close the Chooser.



Now you're ready to copy, scan, and print! See "Any Questions?" to the right to find out how.

Any Problems?

If the red ! error light is on, check for messages on the RX600 LCD screen. They give you guidance for solving problems.

If your problem is listed below, try the suggestions here. For more solutions, see your *User's Guide*.

A New Hardware Wizard screen appears on your computer. Click **Cancel** and follow the steps in section 8. Disconnect the RX600 cable before installing software.

You see an error message when printing or scanning. Make sure your RX600 is connected to your computer, plugged into a power source, and turned on.

Try turning the RX600 off and then back on to clear the error.

The RX600 doesn't work. Unlock the scanner by sliding the transportation lock. See section 2.

Unlock the printer by removing and storing the orange plastic print head lock. See section 4.

Make sure all the ink cartridges are pushed down all the way. See section 6.

Try connecting the USB cable to a different USB port on your computer. See section 8.

Turn the RX600 off and then on again.

If it still doesn't work, try reinstalling your software. See section 8.

Any Questions?

Here's where to look for answers:

How to Copy and Print

Quick steps for copying and printing without your computer.

Epson Stylus Photo RX600 User's Guide

Comprehensive instructions for everything you can do with the RX600.



On-screen Epson Stylus Photo RX600 Reference Guide

Additional details about your RX600. Double-click the **SPRX600 Reference Guide** icon on your desktop.

On-screen Help in your software programs

Click **Help** or **?** when it appears on the screen for help with your software.

Epson Technical Support (for the RX600 and Epson Scan)

- **World Wide Web**
<http://support.epson.com>
- **Automated Telephone Services**
To use these services, you must have a touch tone telephone and call (800) 922-8911. Your Epson SoundAdviceSM Express Code is **70520**. Use this code to quickly select your product in SoundAdvice.
- **To speak to a Technical Support Representative**
Dial (562) 276-4382 (U.S.) or (905) 709-3839 (Canada), 6 AM to 6 PM, Pacific Time, Monday through Friday.

Software Technical Support

Software	Telephone	Internet/E-mail
Epson Smart Panel	(510) 445-8616	www.newssoftinc.com tech@newssoftinc.com
ArcSoft PhotoImpression	(510) 440-9901 8:30 AM to 5:30 PM, PT Monday–Friday	www.arcsoft.com support@arcsoft.com
ABBYY FineReader Sprint	(510) 226-6719	www.abbyyusa.com support@abbyyusa.com

Need Paper and Ink?

For the best prints and copies, use genuine Epson ink and paper. You can buy them from your local store, or from the Epson StoreSM at (800) 873-7766 or www.epsonstore.com (U.S. sales only). In Canada, please call (800) 463-7766 for dealer referral.



Look for these cartridges and paper:

T048120 Black **T048220** Cyan **T048320** Magenta **T048420** Yellow **T048520** Light Cyan **T048620** Light Magenta



Borderless Premium Glossy Photo Paper
Heavyweight paper with a high gloss finish that lets you create borderless photos with no perforated edges. Choose **Prem. Glossy** on the LCD screen, or **Premium Glossy** as the Type or Media Type setting in your printer software. Available in 4 x 6, 5 x 7, 8 x 10, Letter, and Panoramic sizes.



Glossy Photo Paper
A smooth, glossy finish for your everyday photos. Choose **Glossy** on the LCD screen, and **Glossy Photo Paper** as the Type or Media Type setting in your printer software.



Matte Paper Heavyweight
Perfect for high quality photo reprints and enlargements. Choose **Matte** on the LCD screen, or **Matte Paper–Heavyweight** as the Type or Media Type setting in your printer software.

Epson and Epson Stylus are registered trademarks, and Epson Smart Panel is a trademark of Seiko Epson Corporation. Epson Store and SoundAdvice are service marks of Epson America, Inc.

General Notice: Other product names used herein are for identification purposes only and may be trademarks of their respective owners. Epson disclaims any and all rights in those marks.

© 2004 Epson America, Inc. 1/04

Printed in XXXXXX XX.XX-XX