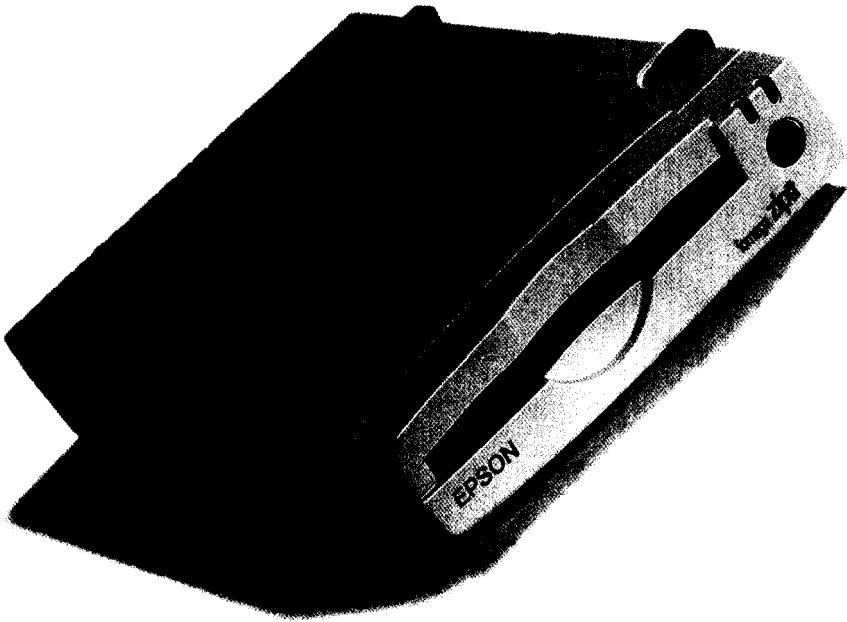


EPSON®



Installation/User s Guide

For Macintosh and IBM Compatible PCs
with a SCSI Connection

Table of Contents

INSTALLING YOUR ZIP DRIVE

MAC Users	1
PowerBook Users	2
PC Users	2
Installation Instructions	3

USING YOUR ZIP DRIVE


Getting the Most of Your ZIP Drive	12
Drive Operation/Maintenance	14
ZIP Tools Software	15
SCSI Guidelines	16
Troubleshooting	18

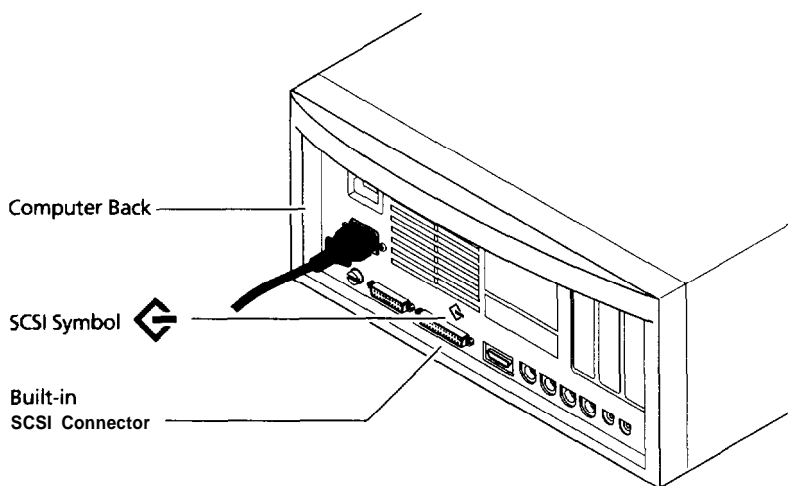
Installing Your ZIP Drive

This guide shows how to install the SCSI model of the ZIP Drive on a Macintosh, or a PC that uses Windows, DOS or Windows 95. If you encounter any problems while installing your ZIP Drive, refer to “Troubleshooting” in the “Using Your ZIP Drive” section.

SCSI (Small Computer System Interface) Requirements

MAC USERS

All Macintosh computers have a built-in SCSI connector marked by the SCSI symbol .



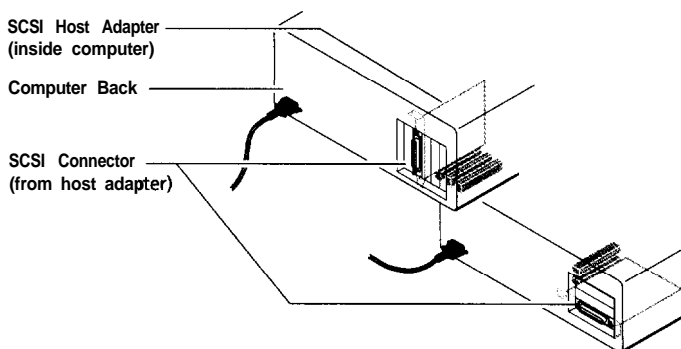
POWERBOOK USERS

Many PowerBook users already have a special PowerBook cable that provides a standard Mac SCSI connector. If you do not have one, you will need an HDI-SCSI adapter for the data cable before you can connect the ZIP Drive to a PowerBook. Check with your computer dealer, or call EPSON at 1-800-922-8911 to order a PowerBook adapter.

PC USERS

You need a SCSI connection to connect the ZIP Drive to your PC.

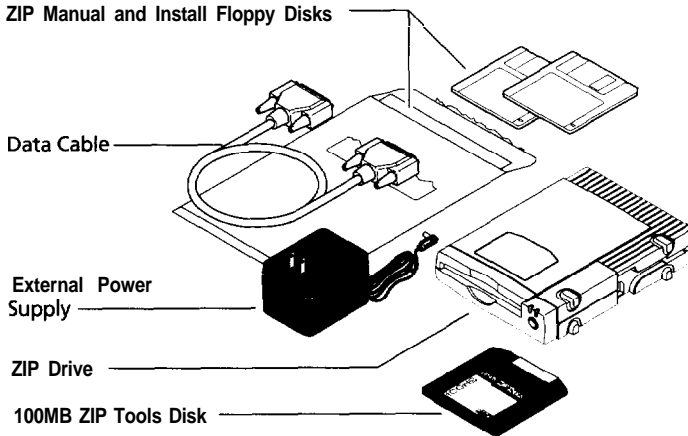
- Refer to “SCSI Adapters” in the “Using Your ZIP Drive” section for information on compatible adapters. **Make sure the adapter is installed in the computer before attempting to connect your ZIP Drive.**



- OS/2 Support: If you want to use your ZIP Drive in an OS/2 operating environment, you need to purchase EPSON driver software for OS/2. Call EPSON at 1-800-922-8911 to order, (\$9.95 for shipping and handling), or use the EPSON Download Service at (310) 782-4531 to download a driver.

INSTALLATION INSTRUCTIONS

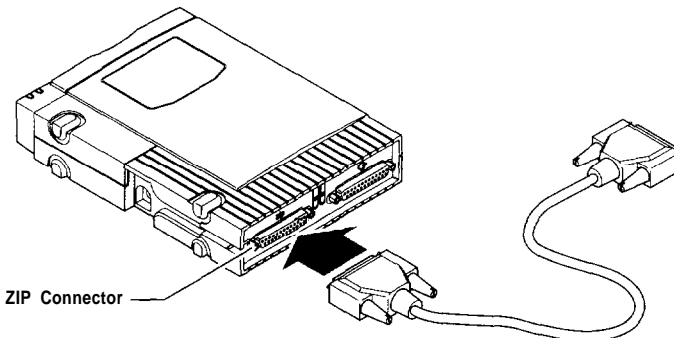
1 **Unpack your ZIP Drive and accessories.**



2 **Turn off your computer's power switch and pick up the ZIP data cable.**

WARNING Always turn off computer power before connecting the ZIP Drive.

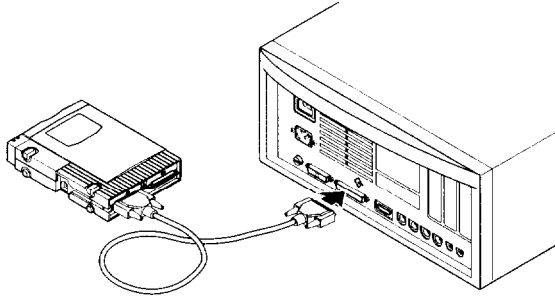
3 **Connect one end of the cable to the ZIP connector on the back of your drive.** *(If the connector does not go on easily, try turning it over. Tighten all connector screws.)*



4 Connect the other end of the cable to the SCSI connector on your computer.

MAC USERS

See illustration below.

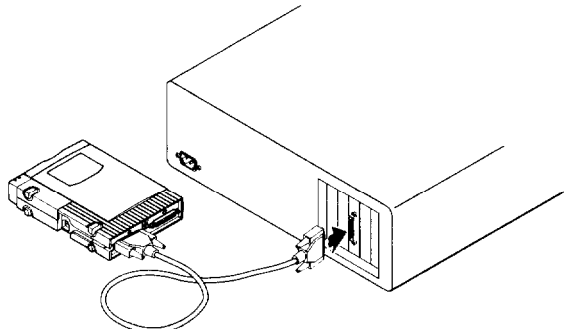


POWERBOOK USERS

You need a special PowerBook cable or adapter to connect the ZIP Drive. Refer to the section for PowerBook Users at the start of this guide.

PC USERS

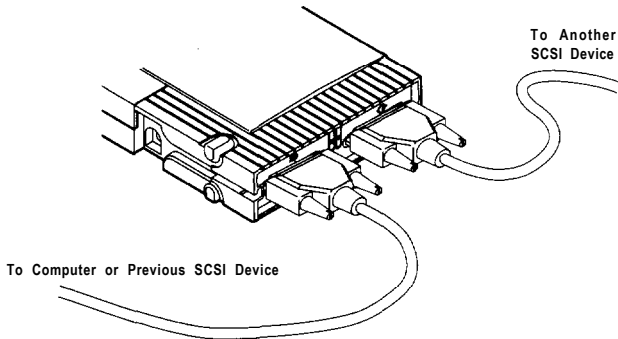
CAUTION *Make sure you connect the ZIP cable to a SCSI connector and NOT to a parallel port (printer port). The parallel port is the same size and shape as some SCSI adapter connectors, but the parallel port will not support this model of the ZIP Drive.*



- **If your adapter has a 50 pin SCSI connector:** Use a 25 to 50 pin SCSI cable or cable converter to connect the ZIP Drive. If you need a cable or converter, call your computer dealer or contact EPSON at 1-800-922-8911.

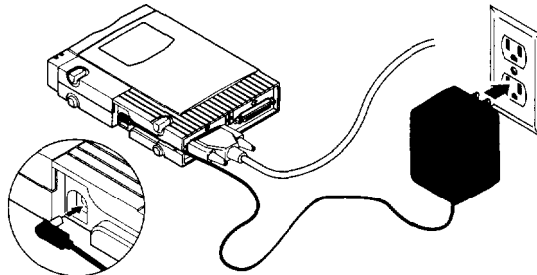
5 Optional: You can connect other SCSI devices to the ZIP Drive using another SCSI cable (usually a 25 to 50 pin cable).

You can also connect the ZIP Drive to the end of an existing SCSI chain by using a 25 to 50 pin SCSI cable or by using a cable converter with the ZIP data cable. When connecting the ZIP Drive to other SCSI devices, check the SCSI Guidelines in the “Using Your ZIP Drive” section to make sure the SCSI ID and termination on your ZIP Drive are set correctly.



6 Connect the external power supply (The power cord fits in the groove on the side of the ZIP Drive.)

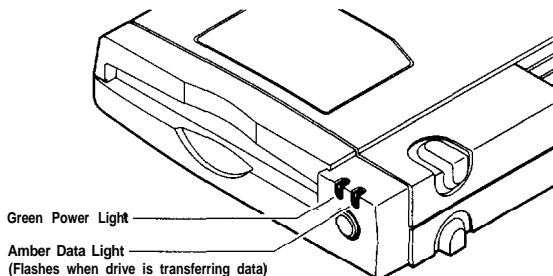
WARNING: Use only an approved EPSON ZIP power supply. Other power supplies may damage your ZIP Drive.



- Tip: To make it easier to move your ZIP Drive between home and work, you may want to purchase an extra power supply and cable. Call EPSON at 1-800-922-8911 to order ZIP accessories.

7 Check the green power light to make sure the power supply is OK.

(If the power light does not come on, refer to the "Troubleshooting " section of this manual.)



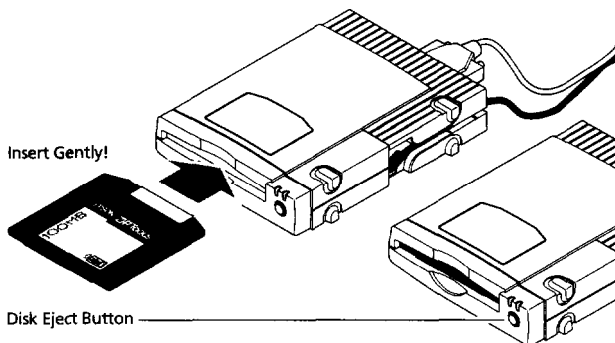
8 Turn your computer on.

MAC USERS

Hold down the Shift key and start your Mac. Make sure you hold down the Shift key until you see the message indicating that extensions are disabled.

9 Insert the 100MB Took disk into the ZIP Drive.

Always make sure the green power light is on before inserting (or ejecting) a ZIP disk. When you insert a ZIP disk, the amber data light on the ZIP Drive will flash momentarily.



MAC USERS

- **Ejecting ZIP Disks:** The disk eject button is disabled when the ZIP disk icon appears on the Macintosh Desktop. To eject a ZIP disk from the Desktop, drag the ZIP disk icon to the Trash icon.

10 Insert the appropriate Install Disk (Macintosh, DOS/Windows or Windows 95) into your computer's disk drive.

MAC USERS

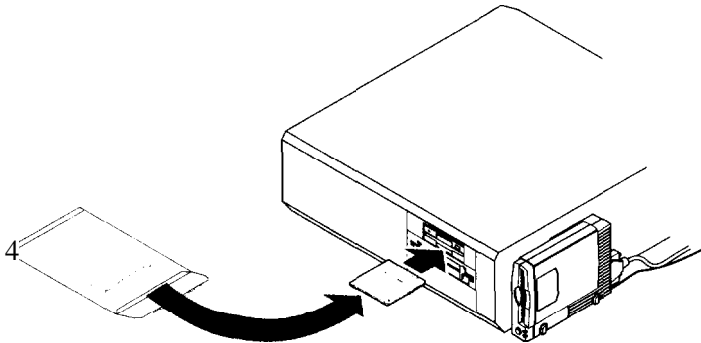
Use the Macintosh Install Disk.

PC USERS

Use the Windows/DOS Install Disk.

WINDOWS 95 USERS

Use the Windows 95 Install Disk.



11 Start the Setup or Install program as described below and follow the screen instructions to install your ZIP software.

MAC USERS

Double-click on the ZIP Install icon and follow the screen instructions to install the ZIP Tools software.

If you encounter any problems, refer to the “Using Your ZIP Drive” for help. (There is additional help in the electronic Installation Guide that is included on the ZIP Install disk.)

WINDOWS USERS

In the Windows Program Manager, select the File menu and choose **Run**. In the Command Line box, type `a:setup` if the Install disk is in drive a: (or `b:setup` if it is in drive b:), then click on OK or press the **Enter** key.

DOS USERS

If you do not have Windows on your system: At the DOS prompt, type `a:guest` if the Install disk is in drive a: (or `b:guest` if it is in drive b:), and press Enter. Note the drive letter Guest assigns to your ZIP Drive, then type `d:\scsi\install` (where d: is the ZIP Drive letter), and press Enter.

If you need help, refer to the “Troubleshooting” section of this manual. There is also troubleshooting information on the ZIP Install disk in the README.TXT file.

WINDOWS 95 USERS

Software Setup

Open **My Computer** and double click on the floppy drive icon. Double click on **Setup95**.

PERFORMANCE PROBLEM? *If your system seems slow after installing Tools 95, it is probably due to the way some plug and play devices handle system refreshes. To solve this problem, simply restart your system.*

Accessing ZIP Took

After the software installation is complete, you can access tools for your EPSON drives by clicking the RIGHT mouse button on the drive icon in *My Computer* or *Windows Explorer*. The EPSON tools available **on** the drive shortcut menus include:

Copy Machine - Lets you quickly and easily copy one disk to another using either a single drive or two different drives on your system.

Format - The format tool includes a Short Format option for quickly erasing a disk and a Long Format option for verifying the disk surface. You can also choose to make the disk bootable or assign a volume name.

Protect - Lets you select software protection options for ZIP disks. Lets you secure a disk with a password.

Make Nonremovable - Sets up a removable disk to install or run software that requires a fixed disk.

Status - Gives you quick access to information about your drive and disks.

Eject - Enables you to eject a disk with a mouse click.

Properties - Provides special information about your ZIP Drive and disk, lets you set drive sleep time and other startup preferences, and enables you to run drive diagnostics.

In addition to the tools listed on the drive shortcut menus, Copy Machine, Guest95 and the ZIP help files are available from the Tools 95 program group—just click the Start button and point to Programs, then Tools 95.

Guest95

Guest95 allows you to move your ZIP Drive from one computer to another with ease. Now there's no need to reboot the system when you add a ZIP Drive. Simply attach the ZIP Drive to any compatible PC and run the Guest95 program to assign a drive letter.


Any time you install new ZIP hardware on your system, you can use **Guest95** to load the drivers needed by Windows 95. You can run **Guest95** from the Tools installation diskette or from your **EPSON ZIP Tools** program group. Refer to the **Guest95 Help** file for detailed information.

Note: When using Windows 95 with the ZIP Drive, the ZIP Tools disk is write-protected and contains Macintosh files that are now not usable. To remove the write protection and “Reclaim” the Tools disk for use, you must do the following:

- 1 Double-click on the *MY Computer* icon,
- 2 Double-click on the C: hard drive icon.
- 3** Double-click on the Tools 95 icon to open the folder.
- 4** Double-click on the Reclaim icon to run program.

Resolving Adapter Conflicts

Setup95 will be unable to install Tools 95 software if there is a conflict between SCSI adapters installed in the computer. In this case, you will see a message from **Guest95** telling you to reconfigure the adapter settings to resolve the conflict. The following procedure details how. (This procedure is also included in the **Guest95** Help file.)

- 1 Quit from **Setup95**.
 - 2 Click the Start button on your computer Desktop and point to Settings, then Control Panel.
 - 3 Double click on the System icon and choose the Device Manager tab.
 - 4 Select SCSI Controllers, then the adapter you are using, and click on Properties. (Windows 95 may be able to mark the adapter that needs to be reconfigured. Look for a yellow circle containing a black exclamation point. It looks something like this: )
 - 5 Choose the Resources tab and change resource settings as needed to eliminate any conflicts identified by Windows 95. Refer to the documentation that came with your adapter for information on optional settings.
 - 6 Shut down the system, open the computer, and adjust the adapter's switch or jumper settings to match the resources set in the System Control Panel in step 5. Refer to the adapter's documentation for detailed instructions on changing adapter settings.
- PLUG AND PLAY ADAPTERS** *If you need to reconfigure a plug and play adapter, you must see the computer's ICU program to change the adapter settings. Refer to the manual that came with your computer or contact your computer manufacturer for information on how to resolve the conflict.*
- 7 Restart the system and rerun **Setup95**.

Congratulations! When the software installation is complete, your ZIP Drive will be ready to use.

Use your ZIP Drive just like any other drive on your system.

You can store and copy files to and from your ZIP Drive using the same methods you use for your other devices. For additional information on using your new drive and ZIP Tools software, refer to "Using Your ZIP Drive".

MAC USERS

Your ZIP Drive will appear as an icon on your Mac Desktop.

- **If you want to use your ZIP Drive on a PC as well as on your Macintosh:** The **Guest** program on the Install disk for Windows/DOS will provide temporary access for your ZIP Drive on a PC with a SCSI connection. For full ZIP benefits, call 1-800-922-8911 to order a copy of ZIP Tools software for Windows/DOS.

PC USERS

Your ZIP Drive will have its own drive letter in the File Manager.

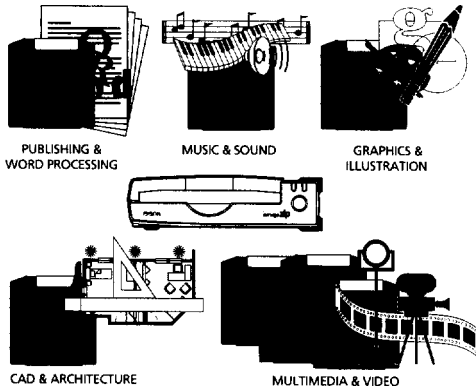
- **If you want to use your ZIP Drive on a Macintosh as well as on your PC:** The **Guest** program on the Install disk for Macintosh will provide temporary access for your ZIP Drive on any Macintosh. For full ZIP benefits, call 1-800-922-8911 to order a copy of ZIP Tools software for Macintosh.

Using Your ZIP Drive

Getting the Most out of Your ZIP Drive

A Tremendous Value

Your ZIP Drive gives you unlimited, high capacity, high performance storage. It's like having a hard disk upgrade, mobile storage, and a backup drive all in one affordable and easy solution. With your ZIP Drive you can:



- Expand your computer storage - 100MB at a time
- Back up your hard disk or any other disk drive on your system quickly and easily
- Take work home or on the road
- Protect sensitive information
- Keep financial and business records safe and secure
- Move your work to different locations and computers
- Create a multimedia library
- Store large scanned or downloaded files
- Organize large amounts of information
- Collect stuff from on-line services without filling up your hard drive
- Design and demo multimedia presentations
- Use one disk per account, project, or client
- Archive old files and e-mail messages
- Share large files with co-workers, clients, friends, and service bureaus
- Give your kids disks for school work and other stuff
- Save absolutely anything you don't want to throw away
- Store and run all your games

1

Extend Your t-lard Disk (hard disk upgrade alternative)

Are you constantly running out of hard disk space? Your ZIP Drive and disks give you unlimited storage for all your information. By placing files on ZIP disks, you have ready access to them without filling up your hard disk. ZIP Tools software will help you find any files you need, and ZIP Drive's hard-disk-like performance will let you access information quickly.

2

Move Information

Do you need to move information between different work locations? Between home and work? To and from clients? Your ZIP Drive and disks offer complete mobility. ZIP disks fit in a shirt pocket; your ZIP Drive is easy to carry and quick to set up. The Guest program allows you to use your ZIP Drive temporarily almost anywhere.

3

Back Up Your Hard Disk

Your ZIP Drive makes backups fast and simple. You don't need special backup software—just copy critical files to a ZIP disk. Copying is lightning fast, and you end up with an exact duplicate of your original files. If you need to restore a file, simply copy it back to your hard drive, or just access it directly from the ZIP Drive.

4

Create a Multimedia Library—Images, Sounds, and Video

Because of their high capacity, removability, and random access, ZIP disks are ideal for storage-hungry image, sound, and video files. Clips can come from a variety of sources, including scanners, CD-ROMs, and video input devices. You can create and store multimedia presentations and demonstrations, including video, that you can replay directly from the ZIP disk.

5

Archive Your Important Records

Do you need to keep files for a number of years? Archive your valuable files on a ZIP disk and store them in a safe place. Whenever you need them, you can access them quickly.

6

Get Organized

If You work on lots of different projects or with many different clients, try segmenting your work onto different disks. You can organize your information by project, client, date, or whatever. ZIP disks give you the capacity to get all associated files onto a single disk. Then, switching between projects and customers is as simple as inserting another ZIP disk.

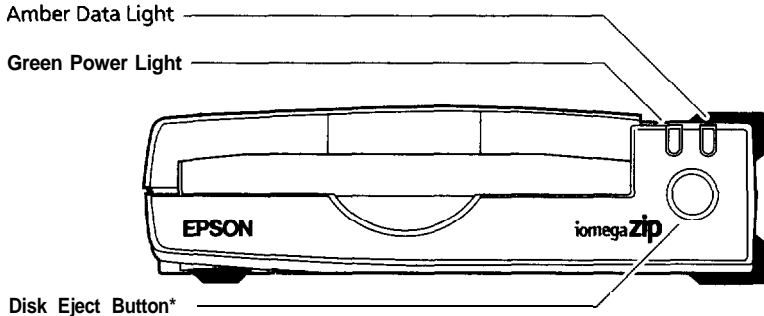
7

Secure Sensitive files

To keep sensitive or confidential information safe, store it on a ZIP disk and use your ZIP Tools software to assign a password that must be used in order to read from or write to the disk. At work, you can protect sensitive information such as personnel files, company directories, and product plans and designs. At home, you can secure personal information such as tax records, budgets, and computerized checkbooks.

Drive Operation/Maintenance

Use your ZIP Drive just like any other drive on your system. To access the ZIP Drive, insert a disk and select the ZIP Drive letter (Windows/DOS) or the ZIP disk icon (Macintosh). Store and copy files to and from the ZIP Drive using the same methods you use for other drives on your system.



* The disk eject button is disabled during normal operation on the Macintosh.

When your ZIP Drive is not in use, remove the ZIP disk from the drive and store it in the protective case.

- **To eject the disk on Windows/DOS systems,** push the eject button.
- **To eject the disk on Macintosh systems,** drag the disk icon to the Trash icon.

WARNING Do not use ordinary 3.5 inch floppy disk head cleaning diskettes or data diskettes. They will damage your ZIP Drive.

ZIP Power

The ZIP Drive has an automatic sleep mode designed to reduce power consumption and prolong the life of ZIP disks. Sleep mode automatically spins down a disk after **15** minutes of inactivity. During sleep mode, the green power light remains on, and the disk automatically spins up again when accessed. You can change the sleep mode time using your ZIP Tools software.

When you shut down your system, you may want to disconnect power to the ZIP Drive; however, it will not harm the drive to leave it powered up. Disconnecting the power supply from the drive is generally the easiest way to power down. If you disconnect power from the drive but leave the power supply plugged in, the power draw is less than 2 watts (less than half the power needed for a night light).

Disk Eject in Case of Power Loss

The ZIP Drive must be powered on for normal disk insertion and removal. If you need to eject a disk during a power failure, disconnect the power supply from the ZIP Drive and push a straightened paper clip into the emergency disk eject hole on the back of the drive (see illustration).

CAUTION *Never force a disk into or out of the ZIP Drive.*

DOS AND WINDOWS USERS

SCSI Adapters

Your ZIP Drive is a high performance drive that will work with any SCSI adapter that has a compatible ASPI manager for Windows/DOS or 32-bit miniport driver for Windows 95. (If you are not sure that your adapter is 100% compatible, contact the dealer where you purchased the adapter or the adapter manufacturer.) Before installing the ZIP Drive, make sure the necessary software for the adapter is correctly installed on your system. To take advantage of all the features of your ZIP Drive, either install ZIP Tools or always use the **Guest** program when operating the drive. Refer to MANUAL.EXE on the Windows/DOS Install Disk for additional information on **SCSI** adapters.

ZIP Tools Software

Your 100MB ZIP Tools disk contains a complete package of software tools to help you manage everything you use and create with your ZIP Drive. The **ZIP Setup** or **Install** program automatically installs ZIP Tools for your system.

Guest

The **Guest** program is a portable driver that lets you easily move your ZIP Drive from one computer to another. When you run **Guest**, you can use your ZIP Drive without having to permanently install the driver or ZIP Tools software.

There are versions of **Guest** for both Macintosh and PC (Windows/DOS) systems. The **Guest** program for either system can be loaded from the Install disk for that system. For detailed instructions on using **Guest**, refer to the GUESTHLP.TXT file on the Install disk for Windows/DOS or to Guest Help on the Install disk for Macintosh.

ZIP Tools Disk

The format of the 100MB ZIP Tools disk that came with your drive is set when you install the ZIP software package. When you install the ZIP software on a Macintosh, the ZIP Tools disk becomes a Macintosh disk. When you install the ZIP software on a PC, the ZIP Tools disk becomes a Windows/DOS disk. After the first installation, the ZIP Tools disk can be used to install or reinstall ZIP Tools software on the same system type (Macintosh or Windows/DOS) as the initial installation. If you want to install ZIP Tools on the other system type, you will need to purchase a second 100MB ZIP Tools disk. Additional blank disks for your ZIP Drive are available preformatted for Macintosh or for Windows/DOS.

Make sure you keep all of the original files on your ZIP Tools disk in case you need to reinstall your ZIP Tools software.

Read/Write Protecting ZIP Disks

Your ZIP Tools software includes a special read/write protect feature that allows you to:

- Write Protect a disk through software instead of with a mechanical write protect switch.
- Write Protect a disk and assign a password that must be used to remove the write protect.
- Read Protect a disk so that it cannot be read from, or written to, unless the user enters the password you assign.

For information on using read/write protect, refer to the ZIP Tools Help file.

SCSI Guidelines

The Small Computer System Interface (SCSI) is an industry standard for connecting peripherals to most personal computers. SCSI rules define how to connect more than one SCSI device to the same SCSI connection (either built-in or from a SCSI host adapter).

SCSI Chain

A SCSI chain is a series of SCSI devices cabled one to another on a single SCSI connection. You can add your ZIP Drive to a SCSI chain. For any SCSI chain, the combined chain length (the total of all cables in the SCSI chain) should not exceed 6 meters (19.6 feet). The fastest device (comparing data transfer rates) should be last (farthest from the computer) in the chain.

SCSI ID

SCSI ID is an address number (0 through 7) that is assigned to each SCSI device. In a SCSI chain, each device in the chain must have a different SCSI ID number. The ZIP Drive is set at the factory to SCSI ID 5. You can change the setting to 6 by moving the SCSI ID switch on the back of the drive to the up position.

If you need to change the SCSI ID on your ZIP Drive, disconnect the power supply from the ZIP Drive, switch the SCSI ID, reconnect the ZIP power supply, and restart or reboot the computer.

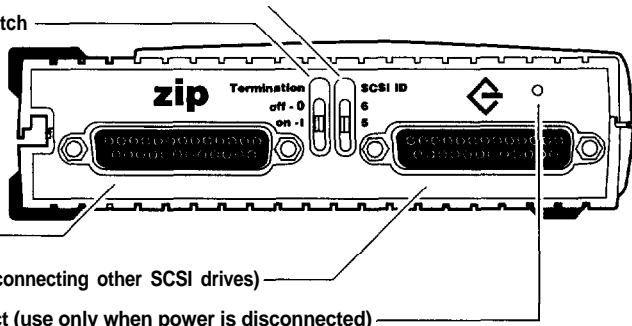
SCSI ID Switch ,

SCSI Termination Switch

ZIP Connector

SCSI Connector (for connecting other SCSI drives)

Emergency Disk Eject (use only when power is disconnected)



SCSI Termination

If your ZIP Drive is the only or last drive on the SCSI connection, the termination switch should be in the down position (ON). If your ZIP Drive is in the middle of the SCSI chain, turn off termination by moving the SCSI termination switch on the back of the drive to the up position (OFF). Always make sure termination is supplied at both ends of the SCSI chain, and that termination is OFF (or removed) for all devices in the middle of the chain.

CAUTION *To prevent damage to computer equipment, turn off electrical power before connecting or disconnecting any cables.*

Troubleshooting

If you encounter a problem while installing or using your ZIP Drive, check this section for help.

1 Green power light does not come on or ZIP disk cannot be inserted.

Make sure you are using an EPSON ZIP power supply and that it is connected to the ZIP Drive as shown in the installation instructions. Make sure the power supply is plugged into a working power outlet.

2 Computer does not start up properly after the ZIP Drive is installed.

Disconnect the ZIP Drive from the computer and restart. Refer to the README.TXT file or the electronic Installation Guide included on your Install disk for additional problem-solving information.

3 The software cannot find the ZIP Drive, or the ZIP Drive is not assigned a drive letter.

- (a) Make sure the external power supply is connected to the ZIP Drive and plugged in before you boot or start the computer. (The green power light on the drive should be ON.) Try disconnecting the power cable from the ZIP Drive and then reconnecting it.
- (b) Make sure the data cable for the ZIP Drive is connected as shown in the installation instructions, and that the cable connections are straight and secure. Tighten all connector screws firmly and evenly, both on the connector to the ZIP Drive and to the computer.
- (c) Make sure the ZIP Drive is connected to a SCSI connection on the computer. (On a Macintosh, use the built-in SCSI connection. On a PC, use a host adapter installed inside the computer.) This model of the ZIP Drive will not work if it is connected to a parallel (printer) port.
- (d) If you have connected other SCSI devices to your ZIP Drive, make sure that each one has a different SCSI ID number (no duplicates). If you need to change a SCSI ID setting, turn the computer off and power down all devices, change the conflicting SCSI ID, and power up again.
- (e) Make sure the SCSI chain is properly terminated at each end and that termination is OFF (or removed) for other devices in the chain. (See the “SCSI Termination” section for more information.)

- (f) If your ZIP Drive is connected to a SCSI host adapter, make sure the adapter is correctly installed in the computer. Refer to the documentation that came with the adapter.
- (g) Reinstall your ZIP Tools software.
- (h) If the computer still doesn't recognize the ZIP Drive, refer to the README.TXT file or the electronic Installation Guide included on your Install disk for additional problem solving information.

4 Data transfer problems or erratic drive operation.

- (a) Make sure the ZIP cable is correctly and completely connected to both the ZIP Drive and the computer. (Tighten all connector screws.)
- (b) If an internal device is connected to the same adapter as the ZIP Drive, remove the SCSI terminators from the adapter. Refer to the documentation that came with the adapter.

5 Cannot write files to the ZIP Took disk.

If you are using the ZIP Drive on a Macintosh or a PC using Windows/DOS, you must install ZIP Tools on your system before you can write to the ZIP Tools disk. If you are using the ZIP Drive on another SCSI system (such as Windows NT or UNIX), you must perform a low-level (surface verify) format on the ZIP Tools disk before you can use it on your system. (SCSI command 04h)

More Problem Solving Help

Refer to the README.TXT file or the electronic Installation Guide included on your Install disk for additional problem solving information. If your ZIP Drive still does not operate correctly after checking the suggested solutions, refer to "Contacting EPSON in this manual.

Warranty

This product carries a one year limited warranty. For complete warranty information, refer to the detailed warranty statement shipped with this product.

Note: When preparing your ZIP Drive for return to EPSON for repair, include the data cable and AC adapter. DO NOT include your ZIP Tools and Driver diskettes.

United States FCC Information

The computer equipment described in this installation guide generates and uses radio frequency (RF) energy. If the equipment is not installed and operated in strict accordance with the manufacturer's instructions, interference to radio and television reception may result.

- Interference This equipment complies with Part 15 of the FCC Rules and its operation is subject to the following conditions: (1) the equipment may not cause harmful interference, and (2) the equipment must accept any interference received, including interference that may cause undesired operation.

Part 15, Class B, of the FCC Rules, is designed to provide reasonable protection against radio and television interference in a residential installation. Although the equipment has been tested and found to comply with allowed RF emission limits, as specified in the above cited Rules, there is no guarantee that interference will not occur in a particular situation. Interference can be determined by turning the equipment off and on while monitoring radio or television reception. The user may be able to eliminate any interference by implementing one or more of the following measures:

- Reorient the affected device and/or its receiving antenna.
- Increase the distance between the affected device and the computer equipment.
- Plug the computer and its peripherals into a different branch circuit from that used by the affected device.

WARNING Only the manufacturer's cable or an equivalent double shielded, host interface cable should be used with external subsystems. Other types of cable may violate FCC rules and regulations. AC Adapter with ferrite core must be used for RF interference suppression. Also, changes or modifications to the electronics or enclosure of this product must be expressly approved by EPSON; otherwise, the user's authority to operate the equipment may be voided by the FCC.

Canadian DOC Information

This digital apparatus does not exceed the Class B limits for radio noise emissions from digital devices as set out in the Radio Interference Regulations of the Canadian Department of Communications.

German BZT information

Epson hereby certifies that the EPSON-manufactured equipment referenced in this guide is in compliance with the requirements of BMPT Vfig 243/1991 RF suppression. The normal operation of some equipment (such as signal generators) may be subject to specific restrictions. Please observe the notices in the owner's manual.

The marketing and sale of the equipment was reported to the Central Office for Telecommunication Permits (BZT). The BZT has the right to retest this equipment to verify compliance with the regulation.

Contacting EPSON

If you encounter problems while installing or using your ZIP Drive, you can find help under "Troubleshooting" in your manual or in the electronic documentation included with your ZIP software. For Macintosh users, the Install disk for Macintosh includes an electronic Installation Guide with a complete problem solving section—just double-click on the icon for the guide to open it. For PC users, you can access a complete installation manual from the Windows/DOS Install Disk by entering **A:Manual** at the DOS prompt. Two text files on the Install disk also contain help information (README.TXT and GUESTHLP.TXT).

Corporate Mailing Address

EPSON America, Inc.
20770 Madrona Avenue
Torrance, CA 90503
USA

Phone Numbers

ZIP Drive Help Information: 800-922-8911
Technical Support 310-782-2600

EPSON on the Information Super highway

Internet Home Page:

<http://www.epson.com>

CompuServe:

GO EPSON

EPSON Download Service:

310-782-4531

EPSON is a registered trademark of Seiko EPSON Corporation. Iomega is a registered trademark, and the Iomega logo and ZIP are trademarks of Iomega Corporation. All other company and product names mentioned in this document are trademarks of their respective companies.

Copyright © 1995 Iomega Corporation.

