

 **EQUATOR** *Clothes-Processor*™
EZ 3600 C – EZ 2500 C

AUTOMATIC COMBINATION WASHER
AND TUMBLE DRYER

OWNER'S MANUAL

THE COMPLETE LAUNDRY SYSTEM!

Table of Contents

WARRANTY INFORMATION	3
CAUTIONS AND WARNINGS	3
IMPORTANT SAFETY INSTRUCTIONS	4
INTRODUCTION	4
ABOUT YOUR WASHER-DRYER	4
SERVICE CALLS	4
GROUNDING INSTRUCTIONS	4
INSTALLING YOUR WASHER-DRYER	5
SAFETY REQUIREMENTS	5
REMOVING SHIPPING BRACKETS	5
LEVELLING	6
WATER HOOK-UP	6
Water Inlet	6
Water Drainage	6
Single Faucet hook-Up & Operation	7
FULL MACHINE DIAGRAM Model EZ 3600 C	8
FULL MACHINE DIAGRAM Model EZ 2500 C	8
OPERATING INSTRUCTIONS	9
LAUNDRY PREPARATION	9
Pre-treatment	9
Preparing to use the Washer-Dryer	9
WASHER-DRYER FEATURES	9
ON-OFF Button	9
Wash Cycle Door Lock	9
Wash Cycle Selector	9
Water Temperature Selector	9
Dryer Timer	9
High Heat-Half Heat Button	9
Detergent Dispenser	10
STARTING THE WASHER-DRYER	10
Steps to follow:	10
COLD WASH/COLD RINSE	10
PREWASH CYCLE	10
WASH ONLY/DRY ONLY	10
OPENING DOOR DURING WASH CYCLE	10
LAUNDRY AIDS	11
MAINTAINING YOUR WASHER-DRYER	11
TROUBLE-SHOOTING GUIDE	12
STAIN REMOVAL TIPS	14
HELPFUL HINTS	15
DRYER EFFICIENCY	15

IMPORTANT SAFETY INSTRUCTIONS

WARNING - To reduce the risk of fire, electric shock, or injury to persons when using your appliance, follow basic precautions, including the following:

1. Read all instructions before using the appliance.
2. Do not wash or dry articles that have been previously cleaned in, washed in, or spotted with gasoline, dry cleaning solvents, other flammable or explosive substances. Do not add gasoline, dry-cleaning solvents, or other flammable or explosive substances to the wash water. These substances give off vapors that could ignite or explode.
3. Do not allow children to play on or in the appliance. Close supervision of children is necessary when the appliance is used near children. Children should never be left alone or unattended in the area where appliances are located.
4. Do not reach into the appliance if the tub or drum is moving.
5. Do not tamper with controls.
6. Do not repair or replace any part of the appliance or attempt any servicing unless specifically recommended in the user-maintenance instructions or in published user-repair instructions that you understand and have the skills to carry out.
7. Under certain conditions, hydrogen gas may be produced in a hot system that has not been used for 2 weeks or more. **HYDROGEN GAS IS EXPLOSIVE.** If the hot water system has not been used for such a period, before using a washing machine or combination Washer-Dryer, turn on all hot water faucets and let the water flow from each for several minutes.

This will release any accumulated hydrogen. **KEEP CLEAR OF OPEN FLAME!**

8. Do not use fabric softeners or products to eliminate static unless recommended by the manufacturer of the fabric softener or product.
9. Do not use heat to dry articles containing foam rubber or similarly textured rubber-like materials.
10. The interior of the machine and exhaust duct should be cleaned periodically by qualified service personnel.
11. The Washer-Dryer must be plugged into a properly grounded Three-pronged electrical outlet. For your safety, the third prong (grounding prong) must never be removed. **DO NOT USE AN EXTENSION CORD.**
12. Repair or replacement of a part should be made only by a qualified service technician to prevent personal injury or damage to the machine. Ask your dealer for a list of authorized repair service agents.
13. Disconnect power to the Washer-Dryer at the circuit breaker or fuse box, or unplug the machine in an emergency or when servicing is required. Have the installer show you and label the proper switch or fuse.
14. Before the appliance is removed from service or discarded, remove the door to the washing/drying compartment.
15. Do not place items exposed to cooking oil in your dryer. Items contaminated with cooking oils may contribute to a chemical reaction that could cause a load to catch fire.

INTRODUCTION

ABOUT YOUR WASHER-DRYER

This appliances described in this manual are automatic Washer and Condensing Tumble Dryer. Model EZ 3600 C has a capacity of 13 lbs and model EZ 2500 C has a 10 lb capacity. Both are front loading, with an extra large door opening for easier access. They have 5 wash cycles, 5 wash/rinse settings (EZ 3600 CEE - 3 settings) and 2 heat options. These Washer-Dryers are "condensing" units, meaning that no exhaust vent is required. Hot air from the drying cycle is water-cooled internally causing the moisture in the heat to condense. (Note: The machine draws cold water during the dry cycle

and is mixed with hot air in a condensing chamber) . The condensed water is then flushed out through the water outlet hose via the pump.

Please carefully read and follow the instructions in this booklet to achieve the best possible laundry results.

If you need any further advice or assistance please contact the dealer from whom your machine was purchased, or contact **Equator Corporation** at **1-800-935-1955**.

SERVICE CALLS

Your new appliance is a carefully engineered product. Many times what appears to be a reason to call for service requires nothing more than a simple adjustment you can easily make in your own home.

You will be charged for a service call while the appliance is in warranty if the problem is not caused by defective product workmanship or materials covered by this warranty.

To avoid a charge for an unnecessary service call, and before calling a service technician, please refer to the **Trouble-Shooting Guide** for situations that you can remedy.

GROUNDING INSTRUCTIONS

This appliance must be grounded. In the event of malfunction or breakdown, grounding will reduce the risk of electrical shock by providing a path of least resistance for electrical current. This appliance is equipped with a cord having an equipment-grounding conductor and a grounding plug.

The plug must be inserted into an appropriate outlet that is properly installed and grounded in accordance with all local codes and ordinances.

INSTALLING YOUR WASHER-DRYER

SAFETY REQUIREMENTS

Safety Instructions

For your own protection, and to prevent accidents, injury and fire, please read the following carefully:

1. Installation and grounding must be done in accordance with local codes by a qualified installer.
2. Do not install or store this appliance where it will be exposed to the weather.
3. The Washer-Dryer must be installed on a strong, level floor and in a protected, dry and well-ventilated area close to a power supply of sufficient capacity, and a sufficient drain outlet.

Do not install on carpet, wood floors or slick surfaces such as bathroom tile or marble

INSTALLATION ON WOOD WILL CAUSE THE MACHINE TO VIBRATE SINCE THERE IS SOME "GIVE" IN THE WOOD FLOOR. THIS "GIVE" IS AMPLIFIED MANY TIMES DURING THE SPIN CYCLES, AND MAY CAUSE THE MACHINE TO VIBRATE EXCESSIVELY.

4. The Washer-Dryer should be plugged into a properly grounded three-prong electrical outlet of 110 Volts, 60 Hertz, 20 Amps. A 15 Amp outlet can be used if it is connected to an individual branch circuit. The machine should not be controlled by a wall switch or pull cord which might be turned off accidentally.
5. Dispose of packing material after the Washer-Dryer is unpacked.

REMOVING SHIPPING BRACKETS

(LOCATED INSIDE THE MACHINE)

For model: EZ 3600 C

IMPORTANT:

In the accessories bag you will also find a wrench which is to be used for removing brackets and for levelling washer-dryer.

1. Remove back panel screws and lift panel clear. (Fig. A)
2. Remove 2 fixing screws from each of the 4 shipping brackets (which connect the cabinet to cross bearing) with wrench provided (Fig. B).

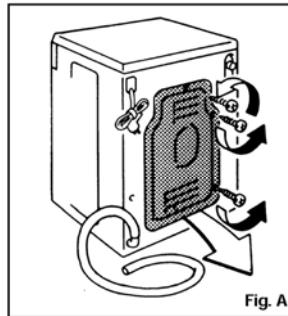


Fig. A

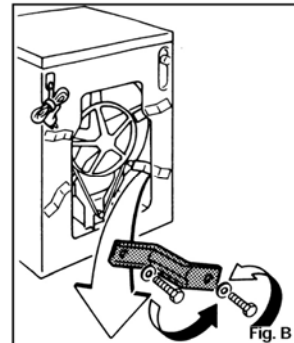


Fig. B

WARNING:

MACHINE WILL NOT OPERATE PROPERLY AND MAY BE DAMAGED IF SHIPPING BRACKETS ARE NOT REMOVED!

3. Remove the four shipping brackets and eight fixing screws and set aside. Store the screws and the shipping brackets to use if you ever need to transport the washer-dryer in the future.
4. Fix back panel with 3 back panel screws previously removed (Fig. C).
5. Close the four holes on the cabinet with the plastic blanking plugs that you will find in the accessories bag (Fig. C).

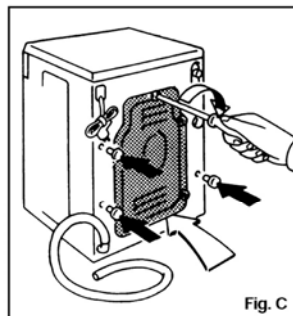


Fig. C

IMPORTANT:

Under no circumstances should the machine be laid on its back once shipping brackets have been removed.

For model: EZ 2500 C

IMPORTANT:

In the accessories bag you will also find a wrench which is to be used for removing brackets and for levelling washer-dryer.

1. Remove fixing screws and respective spacers from the two brackets to cross bearing (Fig. D) and remove brackets.
2. Close the 7 holes on the cabinet with the plastic blanking plugs that you will find in the accessories bag (Fig. E).

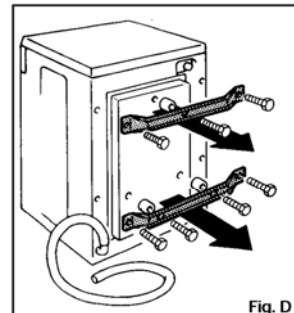


Fig. D

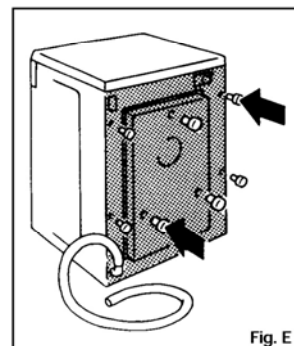


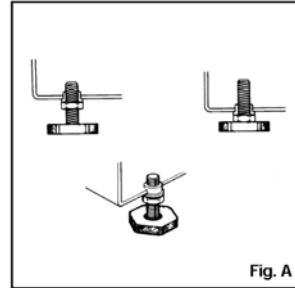
Fig. E

LEVELLING

After selecting the permanent location for the Washer-Dryer, it should be properly leveled to prevent vibration.

To level Washer-Dryer:

1. Tilt machine backwards, leaning it against a wall or other stable structure, so that front legs are accessible and off the ground.
2. **Loosen locknuts on front legs with wrench provided.**
3. Return machine to upright position.
4. Try rocking machine to see which leg needs to be raised or lowered. Adjust leveling legs by turning clockwise to lower machine, or counter-clockwise to raise machine as needed.
5. Once Washer-Dryer is perfectly leveled, be sure to tighten the locknuts (Fig. A) with wrench provided.



IMPORTANT:
IF YOU DO NOT TIGHTEN THE LOCKNUTS, MACHINE WILL VIBRATE.

WATER HOOK-UP

NOTE:

On Model EZ 3600 C the water inlet connections are positioned vertically on the back of the machine, on Model EZ 2500 C the connections are positioned horizontally. This difference in positioning does not affect the hook-up procedures. Simply follow the instructions below for all models.

WATER INLET

Included in the accessories supplied with this machine are 2 inlet hoses and 4 rubber washers. The straight end of these hoses should be connected to the water supply (Fig. B).

The 90° angled end of these hoses should be connected to the inlet valves on the back of the machine, using one of the washers to make a water tight seal on each connection. (Fig. C) The couplings should be tightened by hand, a wrench should only be used if a leak occurs. Do not use excessive force.

The inlet valves are color coded:

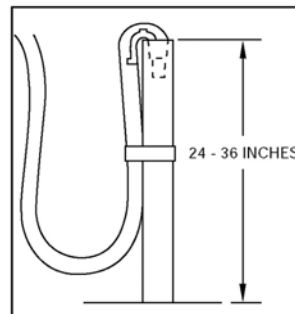
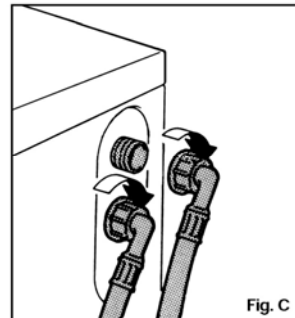
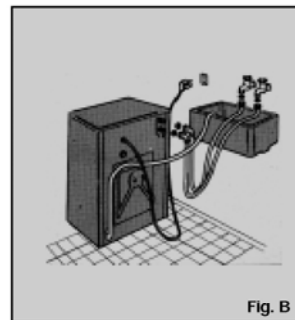
Red = Hot Water
White = Cold Water

WATER DRAINAGE/U CONNECTOR

You should carefully position the drain hose to avoid kinks and ensure proper drainage of the water.

The outlet end of the drain hose must be at least 24-36 inches above the base of the machine. Above this point it is possible for the water to be placed into a drain pipe or other water outlet, but an air break must be available at the 36" height.

The end of the outlet hose must be passed through the U-Connector (included). This creates an upside-down U which is put into the drain pipe or over the edge of the sink. Failure to use the U-Connector may cause the drain hose to pop up during drainage of water, which may cause damage to the surrounding area.



IMPORTANT:
Make sure that the drain hose is not kinked and that the water flow has not been restricted.

Standpipe drain system:

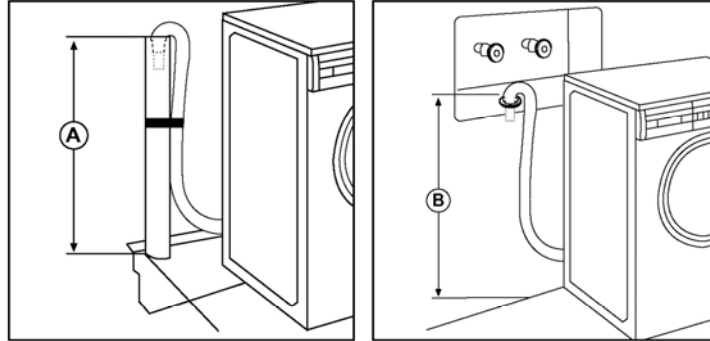
Needs a two inch (5 cm) diameter standpipe with minimum carry away capacity of 7 gallons (26 liters) per minute.

Floor standpipe drain:

Top of standpipe must be at least 23 inches (60 cm) high and no higher than 28 inches (70 cm) from bottom of washer (A).

Wall standpipe drain:

23 inches (60 cm) min.; 28 inches (70 cm) max from end of drain hose to bottom of washer (B).



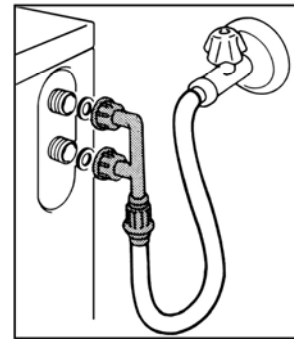
SINGLE FAUCET HOOK-UP & OPERATION

The "F" connector provided with your Washer-Dryer allows you to do your laundry from a single faucet.

NOTE: Only one water hose is used for single faucet hook-up. Either of the two hoses may be used. The remaining hose should be kept and used when both hot and cold water sources are available, or as a spare.

Attach "F" connector to the hot and cold water inlets on back of machine.

Then attach the water hose to the single opening end of the "F" connector. Attach other end of hose to faucet.

**NOTE:**

The water temperature for the wash/rinse settings is regulated by the temperature you set at the faucet.

NOTE:

If connecting to a small faucet such as one in a kitchen sink, a special faucet adapter may be needed. A quick-connect faucet adapter is available through your dealer or can be purchased from your local plumbing supply or hardware store.

NOTE:

The machine uses cold water to mix with hot air in the dry cycle to condense the moisture in the hot air.

When the machine is connected to regular hot and cold water hookups, cold water is automatically drawn into the machine during the dry cycle.

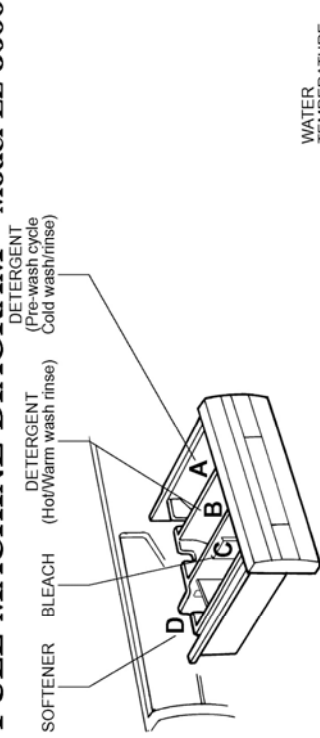
However, when the machine is to be connected to single faucet, the temperature at water entering the machine is determined by the water mix at the faucet.

If cold water is selected to wash and rinse the clothes, cold water will also come in during the dry cycle.

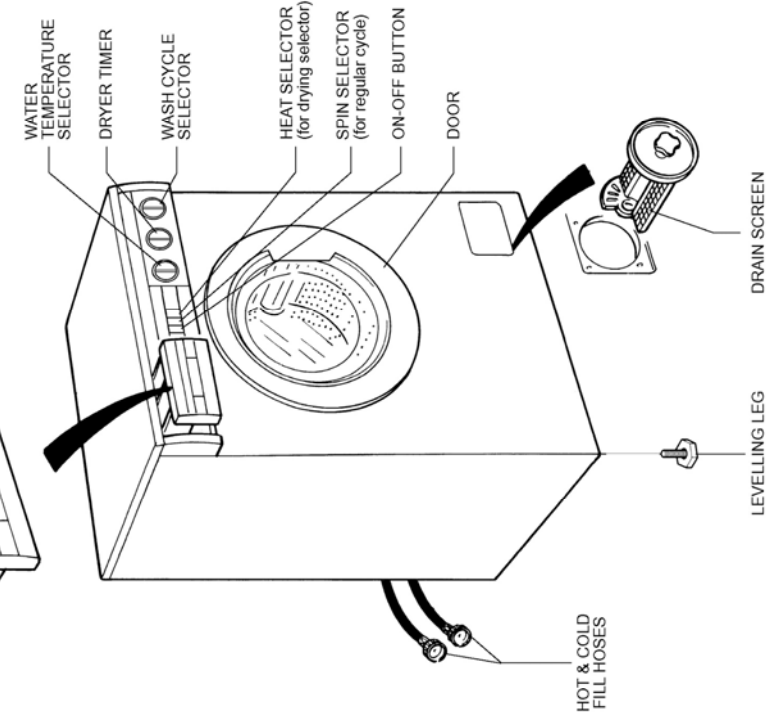
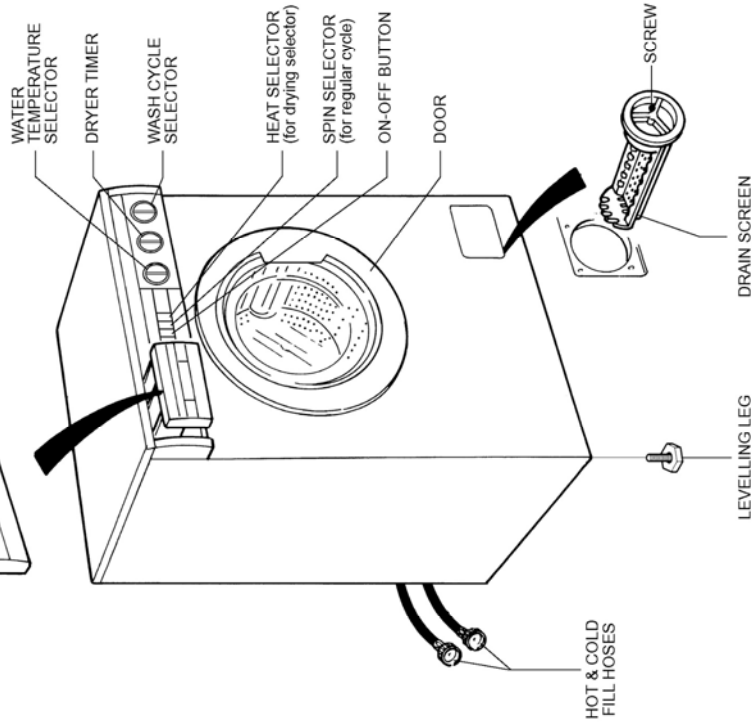
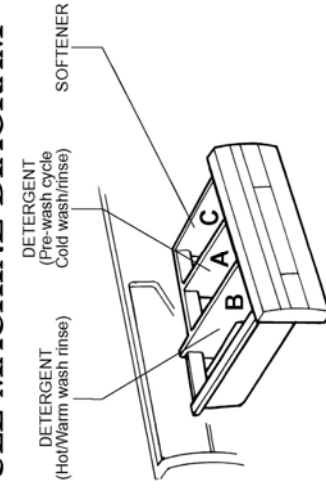
However, if hot or warm water is used for washing, it is important to turn the faucet to COLD after the wash cycle, so only cold water is drawn during the dry cycle.

Colder water ensures more efficient drying.

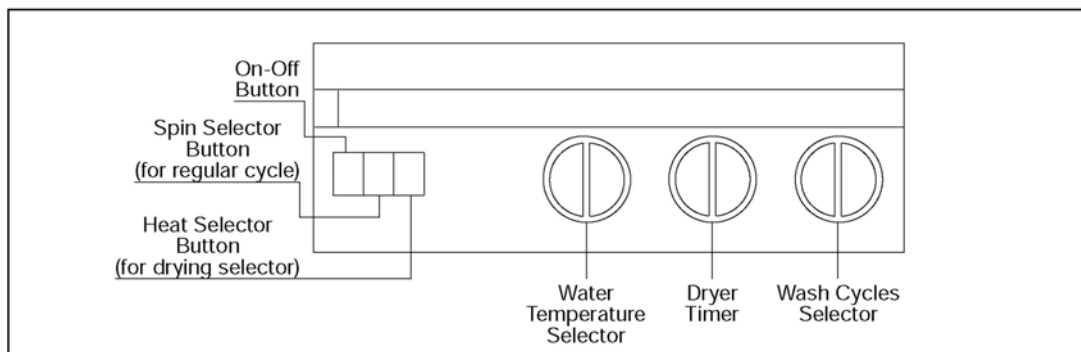
FULL MACHINE DIAGRAM - Model EZ 3600 C



FULL MACHINE DIAGRAM - Model EZ 2500 C



OPERATING INSTRUCTIONS



LAUNDRY PREPARATION

Sort clothes by whites and colors, and also by heavy cottons, permanent press, and delicates. Mend rips and tears before washing so further damage is not done to clothing.

- Fasten all hooks, zippers and buttons. Tie belts and sashes into bows to avoid tangling during the wash/dry cycles.
- Turn knit clothing inside out to reduce the tendency of knits to "pill", due to wear and friction.
- Remove buckles, trims and belts that are non-washable.
- Remember to empty pockets.

Pre-treatment

Pretreat heavily soiled or stained clothes by using a pre-wash spray or by rubbing in some liquid detergent. First try cold water to remove stains, since hot water will set certain stains. For treatment of specific stains, refer to the Stain Removal Chart at the end of the manual.

Preparing to use the Washer-Dryer

Before using the Washer-Dryer for the first time:

- Wipe the inside and outside of the machine.
- Make sure the hot and cold water faucets are turned on full.
- Make sure the power cord is plugged in.
- Make sure the drain hose is properly positioned into a water outlet, sink or other appropriate receptacle.

WASHER-DRYER FEATURES

ON-OFF Button

After the clothes have been loaded and the desired water temperature and cycle settings have been selected, pressing the ON-OFF button will start the washing and dryer cycles. When the washer cycle stops, the dryer will automatically start. If desired, you may use only the wash cycle or only the dry cycle.

Wash Cycle Door Lock

When the ON-OFF button is pressed to begin the wash cycle, the Washer-Dryer door will automatically lock. The door will remain locked during the entire wash cycle.

THE DOOR CANNOT BE OPENED UNTIL APPROXIMATELY 2 MINUTES AFTER THE END OF THE WASH CYCLE.

The door can be opened at any time during the drying cycle.

WARNING: DO NOT TRY TO FORCE THE DOOR OPEN DURING WASHING CYCLE

Wash Cycle Selector

Turn the dial clockwise to the desired wash cycle:

- Prewash
- Regular
- Permanent Press
- Delicates
- Knits & Woolens.

Water Temperature Selector

Turn the dial clockwise to one of the five wash/rinse water temperatures. The wash water temperature is indicated first, followed by the rinse water temperature.

Dryer Timer

The dryer timer lets you set the drying time up to 120 minutes, depending on how dry you want your clothes. Turn the dryer timer clockwise. The drying time will vary depending on the type of clothing and also on the size of the laundry load. You may prefer clothes to be "damp dry" ready for ironing, or "bone dry" ready for putting away.

NOTE:

Opening the Washer-Dryer door during drying cycle causes the heating mechanism to shut off. The heater requires about 10 minutes to achieve full power. Opening the door frequently will increase the drying time needed.

The last 8-10 minutes of the dry cycle is a cool down period, after which the dryer will automatically switch off. During the cool down period the heater is off while the drum continues to tumble. This cooling helps to minimize creasing and is an important safety feature. The machine and clothes will not be too hot to handle at the end of the drying cycle. Experience with the machine will tell you how much drying time is needed to get the results you want.

High Heat-Half Heat Button

For drying permanent press and heavy cottons, maximum heat is required and this button must not be pressed. For drying delicate items or clothing that requires low heat drying, press this button.

Detergent Dispenser

The detergent dispenser is divided into four compartments for Model EZ 3600 C, and three compartments in Model EZ 2500 C (see diagram):

For Model EZ 3600 C:

- A - Detergent (Right side) - Prewash, or Cold Wash-Cold Rinse
- B - Detergent (Center compartment)
- C - Bleach (Left front compartment)
- D - Fabric Softener (Left rear compartment)

The detergent and laundry aids must be added to the dispenser compartments before starting the wash cycle. They will automatically empty into the machine.

For Model EZ 2500 C:

- A - Wash
- B - Prewash
- C - Softener

NOTE: It is important to use only a small amount of detergent. Front loading washers require about one-third as much detergent as a full size washer. If you experience excessive suds you may be using too much detergent.

STARTING THE WASHER-DRYER

Steps to follow:

1. Load clothes loosely into the machine and close the door firmly.
2. Add detergent and other laundry aids into the appropriate dispenser compartments.

NOTE:

For regular loads, add detergent to Compartment B. For exceptions, and special loads, please consult the "Detergent Dispenser" Section.

3. Turn the knob of the Wash Cycle (right knob) clockwise to the desired setting of Prewash, Regular, Permanent Press, Delicates or Knits & Woolens.
4. Turn the left knob to the desired wash/rinse water temperature setting.
5. Turn the Dryer Timer knob (center knob) clockwise to the desired number of minutes. Be sure to allow 10-20 extra minutes for warm-up and cool-down periods.
6. Select High Heat or Half Heat (press the button only if you want Half-Heat).
7. Push ON/OFF Button to start.
8. At the end of the wash cycle, any remaining water will be emptied from the dispenser leaving it ready for the next wash.

Note: If a small amount of water is remaining in the detergent dispenser you can either pull the dispenser out and pour out the water or you can add some water to the standing water in the dispenser and the siphon will draw the water out.

Caution:

Do not turn the washer timer forward once the cycle has begun. Doing so will damage the internal mechanism.

COLD WASH/COLD RINSE

The cold wash/cold rinse cycle is generally used for colors or delicates.

On this setting, **USE COMPARTMENT A**, for detergent rather than Compartment B which is normally used.

Note:

It is recommended that you use liquid laundry detergent for the Cold Wash Cold Rinse cycle. Powdered detergent does not dissolve well in cold water. Please exercise extreme caution when using Cold Wash/Cold Rinse. Please consult the instructions on your detergent package and fabric care labels for further information.

PREWASH CYCLE

The prewash cycle is used for heavily soiled articles which require extra cleaning. The Prewash is essentially an optional, short wash cycle that can be selected before the regular wash cycle.

Prewash with Hot/Warm Wash or Rinse Model EZ 3600 C

Put detergent in compartments A **and** B and close detergent dispenser. During Prewash, the Washer-Dryer will use the detergent in Compartment A. After Prewash is complete, the regular cycle will begin. For this cycle, the detergent in Compartment B is used.

Model EZ 2500 C

Put detergent in both the left and center compartments and close detergent dispenser. During Prewash, the Washer-Dryer will use the detergent in center compartment. After Prewash is complete, the regular cycle will begin. For this cycle, the detergent in the left compartment is used.

Prewash with Cold Wash/Cold Rinse

For **Model EZ 2500 C** the procedure for Cold wash/cold rinse is the same as in previous paragraph. For **Model EZ 3600 C**, follow these directions:

Prior to starting operation, put detergent in compartment A. Begin Prewash. When Prewash is over, Regular cycle will begin. Immediately after Prewash, open the detergent dispenser drawer and **fill compartment A again**.

WASH ONLY/DRY ONLY

Your combination Washer-Dryer can be used as only a washer, or only a dryer if desired.

Washer Only

Set the dryer to the OFF position, and launder clothes as you normally would if using both washer and dryer functions.

Dryer Only

Set the washer cycle to any OFF position, select dryer settings and press ON-OFF button. Be sure to add 10 minutes and cool-down cycles.

OPENING DOOR DURING WASH CYCLE

If the door must be opened during the wash cycle, do the following:

1. Push the ON-OFF Button.
2. Turn the wash cycle knob clockwise to the SPIN position.
3. Push the ON-OFF Button and wait for the water to be drained out of the drum.
4. Push the on-off Button and wait at least two minutes for the door lock light to go off, then open the door.

WARNING:

NEVER try to open the door before tub has completely. If the door is forced open the door lock will break and may cause water to flow out of the machine.

LAUNDRY AIDS

Detergent Recommendations

1. Use only detergent specifically made for laundering clothes.
2. The degree of soil will change detergent amounts. For heavily soiled loads, increase the amount of detergent used, for lightly soiled loads decrease the amount of detergent used.
3. If water is extremely hard, detergent should be increased. Reduce detergent amount in soft water. (under 3.5 grains per gallon)
4. If garments have been pre-treated, decrease the amount of detergent. If garments have been heavily pre-treated, it may not be necessary to add detergent.
5. If the previous machine owned was a top loader, the initial wash loads in a front loader may require a reduced amount of detergent. Until the detergent remaining in the clothes is removed. Old detergent trapped in the garments will be released during the tumble action wash cycle.

For quantities of detergent to be used, refer to the detergent manufacturer's instructions on the box.

WARNING: Detergent will be flushed automatically into the machine from the detergent dispenser. The suds level should never rise more than half way up the porthole. Too much foam will not only impede the wash action of your machine, but will rise through the detergent dispenser and make a mess on the floor!

If this should happen clear excessive suds by setting the timer to the beginning of the first rinse and allow the machine to rinse out.

To prevent spillage from happening clear excessive suds from the drum by following these steps:

- Turn Off the machine

- Turn the Washer Timer Dial forward to Rinse.
- Turn On the machine
- Allow the machine to rinse the suds out.

Bleaches

Bleach functions to whiten, remove certain problem stains, deodorize and in some cases to sanitize clothes; however bleaching is not a substitute for good laundry techniques. Bleach only during the soak or wash cycle. Bleach should never be added to the rinse water. Always dilute bleach before using.

To add bleach, open detergent dispenser door and pour it in compartment C (front left).

WARNING: Under no circumstances should you over-fill the bleach dispenser. Excessive bleach will run directly into the machine, and may damage the clothes.

Frequent or excessive use of bleach may damage clothes.

NOTE:

Please refer to bleach manufacturers' instructions for proper amounts of bleach.

Fabric Softeners

All fabrics, particularly towels and diapers, benefit from the use of fabric softeners in the final rinse. Items of laundry feel softer, are more easily ironed and the clinging effect of synthetics is considerably reduced.

Pour the amount of softener specified by the softener manufacturer into the "Additives Compartment" (Compartment "D") of the detergent dispenser (left rear) to the level indicated on the siphon. Under no circumstances should you over-fill this compartment as the softener will immediately siphon into the machine and in so doing, impair the wash results.

MAINTAINING YOUR WASHER-DRYER

Cleaning the exterior

Wipe the cabinet with a damp cloth or sponge; dry with a soft cloth. Do not use polish of any kind on the plastic trim. Some polishes contain agents which may damage plastics.

Cleaning the interior

If you live in an area with hard water, or if you use non-phosphate detergent, it may be necessary to clean the interior of your Washer-Dryer periodically to remove any oils or deposits that may have accumulated in the Washer-Dryer tub.

To remove this build-up, run the Washer-Dryer through a complete cycle using hot water and 2 cups of a non precipitating water conditioner. Do not add any clothes, laundry detergent or other laundry aids.

Once all accumulation has been removed, your laundry should be satisfactory if you follow the preventive suggestions in this guide.

General maintenance

After washing is complete, the water faucets should be turned off to relieve water pressure on the hoses.

Wipe the inside of the Washer-Dryer door with a soft cloth to remove any remaining moisture. Periodically, a thin coat of paste wax should be applied to the inner door of the Washer-Dryer; especially to the area which is immediately next to the door window.

This will protect the door finish from laundry aid spills and the discoloration which may result.

NEVER use prewash sprays near your washer-dryer. The chemicals in these sprays can damage plastic and painted parts. This type of damage is not covered under the terms of your warranty.

Before moving your Washer-Dryer to a new location, you must re-attach the shipping brackets you removed during installation. (See page 6)

Cleaning the Water Drain Screen

The water drain screen, located at the bottom right-hand corner of the Washer-Dryer, protects the water pump from lint and foreign matter. This screen needs to be cleaned periodically (after about 20 loads), depending on the clothing that is washed.

For removing and cleaning the drain screen carry out the following few steps:

1. Place a shallow pan at the base of the machine directly under the drain screen service door to catch the water that will flow out when drain screen is removed.

NOTE:

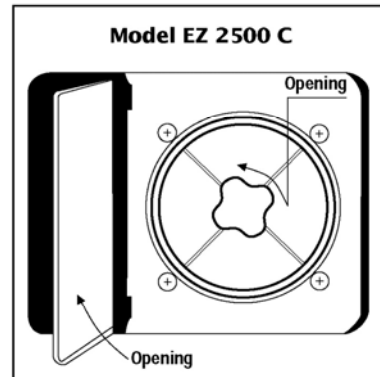
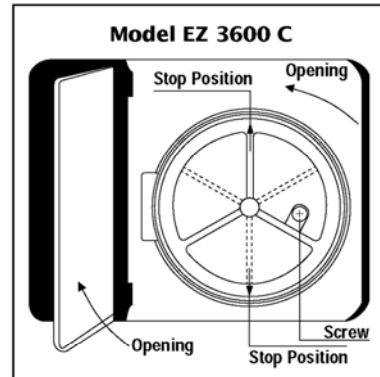
You may find it helpful to first set the machine to spin before removing the drain screen. This will reduce the amount of water in the drain screen. Approximately 3-4 cups of water will flow out when drain screen is opened.

2. Open the service door by gently pressing in at the left side of the door.
3. Turn the drain screen counter-clockwise and pull it out. MODEL EZ 3600 C HAS A LOCKING SCREW THAT MUST BE LOOSENED USING A PHILLIPS SCREWDRIVER.
4. Remove the lint and wash the screen.
5. Replace the screen by sliding it back into the housing.
6. Turn clockwise to secure. REMEMBER TO RE-TIGHTEN THE SCREW ON THE MODEL EZ 3600 C DRAIN SCREEN.

WARNING:
Never remove the drain screen while the machine is full of water.

Cleaning Detergent Dispenser

The detergent dispenser and housing should be cleaned periodically to prevent the build up of detergent.



TROUBLE-SHOOTING GUIDE

You may save the cost and inconvenience of an unnecessary service call by first reviewing this easy-to-use check list of the most frequently encountered situations that are not the result of defective workmanship of materials.

You will be charged for a service call while the appliance is under warranty if the problem is not caused by defective product workmanship or materials.

Review this **Trouble-Shooting Guide** before calling for service. It may save you time and expense.

A - Machine Vibrating/Vibrating Noise

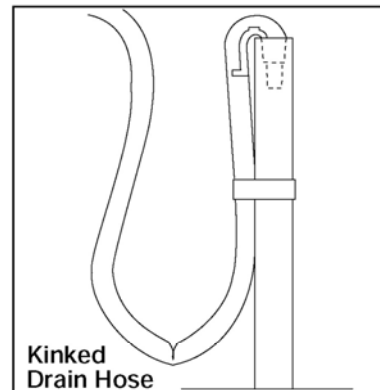
THE TUB IS SUSPENDED ON 4 SPRINGS AND SITS ON 2 SHOCK ABSORBERS IN ORDER TO MINIMIZE VIBRATION. Installation on carpet or wood will cause the machine to vibrate. Installation on tile may cause it to slide.

1. The four shipping brackets are still on the machine.
2. Washer-dryer is not level and locknuts may not be securely tightened.
3. Washer-dryer may not be installed on a solid, firm floor.
4. A rubber cap may be missing from one of the leveling legs.

B - Washer-dryer does not start

1. Washer-dryer may not be plugged in or connection may be loose.
2. House fuse blown or circuit breaker tripped.
3. Timer knob not in correct position.
4. Cycle selector knob not in correct position.
5. Door is not securely shut.

C - Washer-dryer stops during cycle



1. Drain hose is kinked or clogged.
2. House fuse blown, circuit breaker tripped or wall plug not firmly connected.

D - Water level appears low

Front loading tumble washers use less water than top loading agitator washers. The water level is always below the door opening.

E - Wash and rinse water temperatures are incorrect

The hot water hose and cold water hose are connected to the wrong faucets.

F - Sharp noise

1. This may be heard as the solenoid moves in preparation for a high speed spin.

G - Rattling and clanking noise

1. Foreign objects such as coins or safety pins may be in the tub.
2. Foreign objects may be in the pump.
3. Belt buckles and metal fasteners are hitting the Washer-Dryer tub during the washing cycle.

H - Water is entering Washer-Dryer but tub does not fill.

Standpipe for the drain hose is not the correct height.

I - Over sudsing

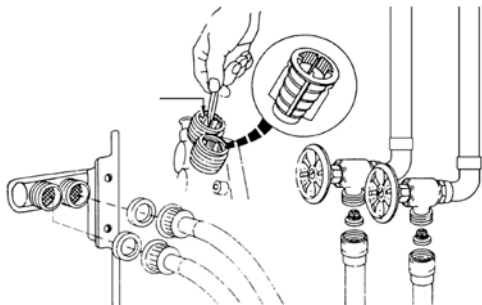
1. Too much detergent used.
2. Detergent used is not compatible with water conditions.
3. Garments were pre-treated before washing.
4. Additional laundry aids such as oxygen bleach may cause additional sudsing.

J - "Chugging" noise

1. A certain amount of "chugging" noise is normal in a heavy-duty machine.

K - Water does not enter the Washer-Dryer, or it enters slowly

1. Water supply is not adequate in the area.
2. Hot and cold water faucets for inlet hoses are not turned completely on.
3. Water is being used elsewhere in the house when the Washer-Dryer is running.
4. Water inlet hose filter is clogged.
5. Water inlet hoses are kinked.

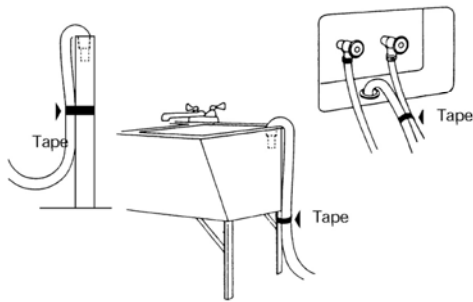


L - Water leaks

1. Hose connections on faucet and/or machine not tight.
2. Rubber washers are not inside the metal hose connectors.
3. Drain hose not securely fastened.
4. Drain pipes in the house are clogged.
5. Too much detergent or a high sudsing detergent in soft water is being used.
6. Soil may be on the door seal or gasket of the Washer-Dryer preventing a tight seal.

M - Thumping noise

1. Heavy wash loads may produce a thumping noise at the beginning of the spin cycle.



Water leaks from soap dispenser

Increase height of from leveling legs higher. Tighten lock nuts.

STAIN REMOVAL TIPS

Blood

Rinse or soak fresh stain in cold water. Work detergent into any remaining stain. Rinse. If stain persists, put a few drops of ammonia on stain and repeat detergent treatment. Rinse. If necessary, bleach.

Candle Wax

Scrape off excess. Place stain between clean white blotters or several layers of facial tissues. Press with warm iron. Sponge with cleaning fluid. If dye spot remains, bleach.

Ketchup

Scrape off excess. Soak in cold water 30 minutes. Pretreat with a detergent paste. Launder.

Chewing Gum

Rub with ice to harden. Scrape off excess with dull blade. Sponge with cleaning fluid.

Chocolate or Cocoa

Soak 15 minutes in cold water. Rub detergent into stain then rinse thoroughly. Launder in as hot a water as is safe for fabric. If colored stain remains, sponge with hydrogen peroxide, rinse and launder.

Coffee or Tea (Black)

Soak fresh stain immediately in cold water. Then use bleach treatment with as hot water as is safe for fabric. Or, if safe for the fabric pour boiling water through spot from a height of 1 to 3 feet. Launder.

Coffee or Tea (with cream)

Rinse or soak in cold water. Work detergent into stain. Rinse. Dry. If stain remains, sponge with stain remover. Repeat, if necessary. If stain remains, bleach.

Cosmetics

Apply undiluted liquid detergent to stain, or dampen stain and rub in soap or detergent until thick suds are formed. Work in until stain is gone, rinse well. Repeat if necessary. If color remains, bleach if safe for fabric.

Cream, Ice Cream or Milk

Sponge stain with cool water or soak stain in cool water for 30 minutes or longer. If stain remains, work a detergent into spot, then rinse. Bleach if necessary.

Deodorants and Antiperspirants

Wash or sponge stain thoroughly with warm water and detergent; rinse. If stain remains, bleach with hot sudsy water. Launder. You may be able to restore fabric color by sponging with ammonia. Rinse thoroughly.

Dye

Rinse or soak in cold water. Work detergent into stain. Rinse. If necessary, bleach. Stain is not always possible to remove. A commercial color remover may also be used.

Egg or Food Grease

Rinse in cold water. If stain remains, sprinkle with meat tenderizer - let stand 15-20 minutes. If stain still remains, sponge with cleaning fluid or diluted bleach. Launder in hot water. The use of hot water first may set stain.

Fabric Softener Stain

Rub thoroughly with bar of soap. Rubbing alcohol is sometimes effective if the color of the garment can take it. Launder. If desired, dry cleaning can be used.

Felt Tip Pen

Spray spot with cleaners suitable to this purpose. Sponge stain thoroughly. Rinse with cold water. Reapply cleaner if necessary.

Fruit, Wine

Soak fresh stains immediately with cool water. Then use bleach treatment with as hot a water as safe for fabrics.

Or if safe for the fabric, pour boiling water through spot from a height of 1 to 3 feet. Launder.

Grass

Work detergent into stain. Sponge with denatured alcohol. Bleach, if necessary.

Oil or Grease

Scrape away excess. Rub detergent or a general purpose liquid household cleaner into stain, rinse with hot water. If stain remains, sponge thoroughly with grease solvent. Dry. Repeat if necessary. To remove yellow stain, use a chlorine or oxygen bleach.

Ball-point Pen Ink

Some ball-point inks are set by water. Test first on a scrap of cloth. Sponge stain repeatedly with nail polish remover, amyl acetate or rubbing alcohol. Hair spray is effective. Launder. Bleach if necessary. Use amyl acetate on acetate, arnel, dynel and verel. Use acetone on other fabrics.

NOTE: some inks cannot be removed.

Mildew

Brush off surface growth to keep mold spores from spreading. Dip article into solution of 1/2 cup bleach per 1 gallon of cool sudsy water for 5 to 10 minutes. Rinse well. Launder.

Mud

Let stain dry; then brush well. Rinse repeatedly in cool water until mud comes out. Launder. (Hot soap suds set a red or yellow clay stain).

Mustard

Soak in hot detergent water for several hours. If stain remains, bleach.

Nail Polish

Treat while fresh, scraping or wiping off as much as possible before it dries. Place stain face down on white paper towels. Sponge back of stain with nail polish remover or denatured alcohol and a few drops of household ammonia. Sponge stain frequently. Launder with water at temperature suitable for fabric. Do not use acetone on acetate, arnel, dynel or rayon.

Paint

Sponge or soak in turpentine or solvent recommended as a thinner on label. Launder.

Perfume

Rinse in cold water. Rub undiluted liquid detergent or a detergent paste into stain. Rinse. If stain remains, bleach.

Perspiration

Wash or sponge stain thoroughly with warm water and detergent paste. If perspiration has changed the color of the fabric, restore it by treating with ammonia or vinegar. Apply ammonia to fresh stains; rinse with water. Apply vinegar to old stains; rinse with water.

Rust and Iron

Apply commercial rust remover, according to manufacturer's directions. Rinse. Or, if safe for fabric, boil stained article in solution of 4 teaspoons of cream of tartar to 1 pint of water.

Shoe Polish

Scrape off as much as possible. Pretreat with water and detergent paste; rinse. If stain persists, sponge with diluted rubbing alcohol (1 part to 2 parts water) or turpentine. Remove turpentine by sponging again with warm detergent solution or with alcohol. Bleach if necessary.

Soft Drinks

Sponge with cold water. Some stains are invisible when they have dried, but turn brown when heated and may be impossible to remove.

Act quickly before stain is dry. Sponge with grease solvent or turpentine. Launder.

Helpful Hints

Your Washer-Dryer features three different speeds during the wash cycle. During the Regular cycle the drum spins at 1000 or 800 rpm depending on how you set it. During Permanent Press the drum spins at 800 rpm. DuRing delicates, the drum spins at 500 rpm.

When drying heavy cotton articles such as bath towels or jeans, be sure the "Regular" washer setting is selected. The faster spinning will extract more water from these highly absorbent fabrics and reduce the degree of dampness as the machine goes into the drying mode. This will cut down on your drying time.

This Washer-Dryer is a 110 Volt machine, so the heating element requires more time to achieve full heat than a larger 220 volt unit requires. The heating element will take about 10 minutes to reach full heat.

To dry your laundry, the Washer-Dryer blows heated air into the rotating drum. As the drum tumbles your laundry, the warm air dries it. If the drum is overfilled with laundry, the air is not allowed to circulate and clothes will not dry properly.

Use Liquid Fabric Softener whenever possible. Fill the softener compartment up to the level marked. Using fabric softener fluffs out clothes immediately after the wash cycle helps speed drying time and reduce wrinkles.

Use Low-sudsing Detergent. This is recommended for all front-loading washers. It ensures there is no over-sudsing, which may reduce the performance of your machine. Also, this prevents damage to your machine which may be caused by excess suds entering the condensing chamber and clogging the fan blower mechanism with lint. If you have any problem obtaining low-sudsing detergent, please call Equator to obtain information on our house brand, Equator low-sudsing detergent.

When sorting laundry always take into consideration the quantity and type of fabric contained in the load. Highly absorbent fabrics such as those used in towels or jeans will absorb more water and become very heavy when saturated. If you notice that your clothes are taking longer than usual to dry you may be overloading the machine, or washing too many highly absorbent articles for a single load.

Dryer Efficiency

Your washer-dryer operates on 110 volts and has a 1300 watt dryer. It will take a longer time to dry clothes than a traditional dryer (which operates on 220 volts, 5000 watts). However, with the following tips, you can increase the efficiency of the dryer.

1. **OPENING DOOR DURING DRYING:** Although the door can be opened during the drying cycle, we do not recommend that you do so until drying time is complete. Each time the door is opened, the heater is shut off. It starts again when the door is closed but takes 5-10 minutes to get to its full power. This adds to the drying time.
2. **FABRIC SOFTENER:** When the Wash and Dry cycles are set to run consecutively, the pre-heat function comes on automatically. In this, the heater is turned on during the last spin cycle of the wash program. In the Regular Wash program, the clothes will be getting spun at 1,000 rpm, while hot air from the dryer will be entering the drum at the same time. While centrifugal force causes clothes to stick to the sides of the drum, the hot air will "bake" them to the sides. It may take 30 minutes or more for the clothes to unstick and fall into the drum. **Using liquid fabric softener will cause the clothes to unstick immediately. This helps dry clothes faster and causes less wrinkles.**
3. **OVERLOADING:** The drum has a capacity of 1.9 cu.ft. (EZ 2500 - 1.6 cu.ft.). While this is the largest drum available on a European type machine, it is nevertheless smaller than a standard U.S. washer. The EZ 3600 drum should not be overloaded. With too many clothes, airflow is reduced, increasing drying time.
4. **OVER DRYING:** This machine uses a condensing dryer. In this cold water is used to condense the moisture from the hot air. Since there is no external exhaust system, the moisture remains in the machine. Frequently, when it seems the clothes are damp, it is actually the remaining moisture (like dew). Take clothes out and within a few minutes they will be dry. Do not overdry the clothes.
5. **USE LOW-SUDSING DETERGENT:** By using low-sudsing detergent (Equator brand or any other), you are preventing suds from entering the condensing chamber. When suds enter the condensing chamber, lint particles clog up the chamber as well as the fan blower. Over time, this reduces drying efficiency and may require the fan blower (impeller) to be cleaned.

Recessed and closet installation instructions

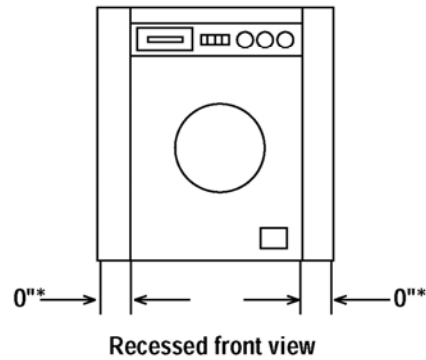
The machine may be installed in a recessed area or closet.

The installation spacing is in inches and is the minimum acceptable.

Additional spacing should be considered for easy installation, servicing and compliance with local codes and ordinances.

Closet installation must be exhausted.

Other installations must use the minimum dimensions indicated.



Minimum installation spacing

* Additional clearances for wall, door and floor moldings may be required.

** Additional space is needed when an external exhaust elbow is used.

