

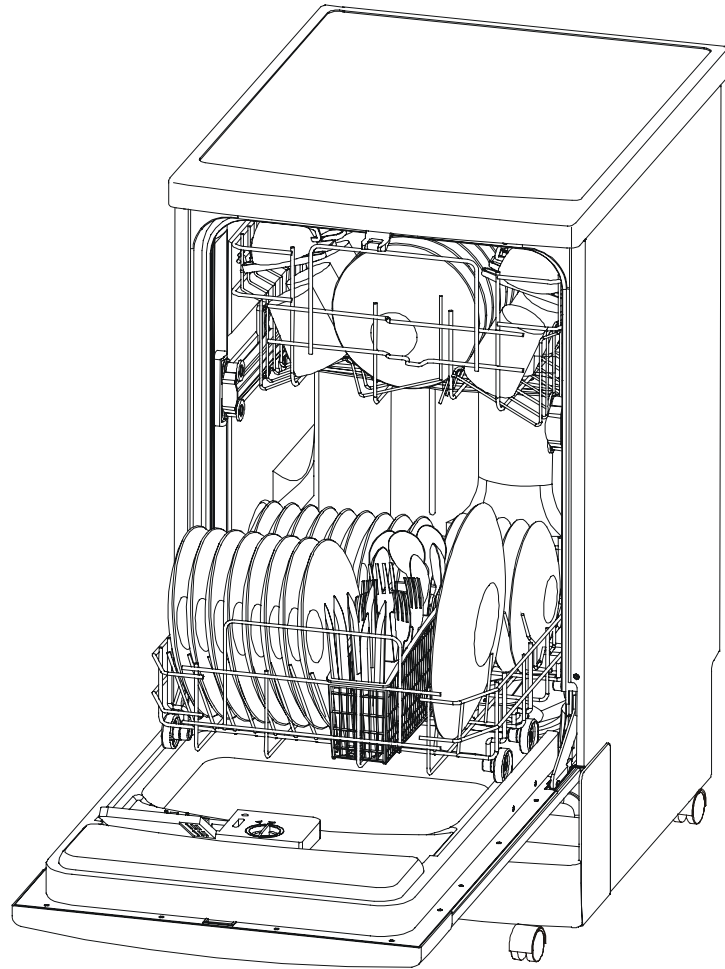


EQUATOR[®]

ADVANCED Appliances ≡

Owner's Manual

Dishwashers



MODEL: SP 818 & WP 818

SAVE THESE INSTRUCTIONS

PRODUCT FEATURES

The automatic dishwasher of our series, based on the philosophy technology is based on human being, besides the common characteristics of other household dishwashers, it has its own specialties:



Automatic adaption

The intelligentized control system could be adaptive to different conditions of temperature, voltage and humidity to automatically correct remaining time display.



Memory function

The memory function could automatically set the frequently used program as current program, it make operation much more easier.



Delay timer function

This allows the start of the programme to be delayed between 1 and 9.5 hours, enabling you to benefit fully from cheaper electricity! Or just to be nefit from the convenience of the programming finishing when you want to.



Remaining time display

The length of time the programme has left to run will be clearly displayed in the text window, leaving you in no doubt as to when the programme will end and you can go out.



Error alarm

Fault codes display would inform the user of abnormal status of the machine;



Broad applied voltage

The broad scope of the applied voltage, reduce the code of electric condition.



7 wash programs

You can choose your desired program according to the soiled level. Such as, strong wash, normal wash, economy, rinse, glass, rapid and pre-wash etc.



8 place setting capacity

Be sufficient for normal use.



Stainless steel tub

You need not worry about stain of tub.



Adjustable upper basket

Even if the dishware are abnormity, you can load them by adjust the upper basket.



LED low rinse aid Indicators

If the rinse aid are running low, there will be clearly displayed on the panel alerting you to top them up, to ensure that the machine continues to operate at optimum performance.



Overflow protection

Your Midea dishwasher has an overfill protection program which could automatically shut off the inlet valve and start the drain pump if the water Overflow.

WARRANTY INFORMATION

Your Equator appliance is protected by this warranty under normal, personal, family or household use (1 Year), and limited commercial use (90 days) in the USA and Canada.

WARRANTY

Equator Corporation undertakes to the consumer-owner to repair or, at Equator Corporation's option, to replace any part of this product which proves to be defective in workmanship or material under normal personal, family or household use, in the USA and Canada, for a period of one year from the date of original purchase.

For commercial use, the product is warranted for a period of 90 days.

During this period, Equator Corporation will provide all labor and parts necessary to correct such defect, free of charge, if the appliance has been installed and operated in accordance with Equator Corporation's written instructions with the appliance. Ready access to the appliance, for service, is the responsibility of the consumer-owner.

EXCLUSIONS

In no event shall Equator Corporation be liable for incidental or consequential damages or for damages resulting from external causes such as abuse, misuse, incorrect voltage or acts God.

This warranty does not cover service calls which do not involve defective workmanship or materials covered by this warranty. Accordingly, diagnosis and repair costs for a service call which does not involve defective workmanship or materials will be the responsibility of the consumer-owner.

Specifically, the following work is not covered under warranty and does not constitute warranty work:

- . Installation –e.g. improper hook-up or leveling
- . Maintenance – e.g. cleaning of air and/or water filter
- . Damage – e.g. Replacing broken door handle

Most work is covered. The defining factor is, has the machine malfunctioned (Equator is responsible) or has the customer omitted or done something to cause machine to malfunction (customer is responsible). Some States do not allow the exclusion or limitation of incidental or consequential damages, so the above limitation or exclusion may not apply to you.

WARRANTY SERVICE

This warranty is given by:
Equator Corporation,
Equator Plaza,
2801 W. Sam Houston Pkwy. N.,
Houston, TX 77043-1611.

Service under this warranty must be obtained by the following steps, in order:

Call an Equator Corporation Authorized Service Agent (obtain number of nearest agent from your dealer or by calling Equator Service at 1-800-776-3538). Under normal circumstances, Service will be provided during regular business hours (9:00 a.m. to 5:00 p.m. weekdays).

GENERAL

Since it is responsibility of the consumer-owner to establish the warranty period by verifying the original purchase date, Equator Corporation recommends that a receipt, delivery slip or some other appropriate payment record be kept for that purpose.

Remember to send in your Warranty Registration Card so that a proof of your purchase exists with Equator. This warranty gives you specific legal rights, and you may also have other rights which vary from State to State.

Corporate Office

EQUATOR CORPORATION
Equator Plaza
2801 W. Sam Houston Pkwy. N.
Houston, TX 77043-1611
Tel: 713-464-3422 - Fax: 713-464-2151
Tel: 800-776-3538

We & You, A Service Partnership

Thank you for buying this product. As a home appliances producer, we are proud of our quality products and we are committed to providing dependable service. We are able to utilize our global resources in creating innovation that makes housework lighter and easier, and provide a truly comfortable home for you to relax and enjoy.



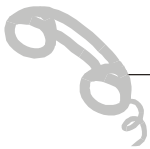
Read this Manual

This manual contains sections of Safety Instructions, Operating Instructions, Installation Instructions and Troubleshooting Tips etc. Carefully reading it before using the dishwasher will help you to use and maintain the dishwasher properly.



Before Calling for Service

To review the section on Troubleshooting Tips will help you to solve some common problems by yourself and not need to ask for the help of professional technicians.



If You Need Service

If you can not solve the problems by yourself after reading the section of Troubleshooting Tips, please contact the professional technicians of the service center. We are happy to help you with your questions, 24 hours a day, 7 days a week.

Safety Information 1

Operating Instructions

Control Panel	2
Dishwasher Features	2
Wash Cycle Table	3
Turning On the Appliance	3
Detergent	4
Rinse Aid	4,5
Dishwasher Rack	5,6
Filtering System	6
Caring for the Dishwasher	6,7

Installation instruction

About Electricity connection	8
About the Unicouple	8
Water Connection	9
Dimensions	9

Troubleshooting Tips

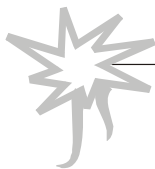
Before calling for service	10,11
Overflow conditions	12

IMPORTANT SAFETY INFORMATION

READ ALL INSTRUCTIONS BEFORE USING

WARNING!

When using your dishwasher, follow the below basic precautions.



WARNING! HYDROGEN GAS IS EXPLOSIVE

Under certain conditions, Hydrogen gas may be produced in a hot-water system that has not been used for two weeks or more. HYDROGEN GAS IS EXPLOSIVE.
If the hot-water system has not been used for such a period, before using the dishwasher turn on all hot-water faucets and let the water flow from each for several minutes. This will release any accumulated hydrogen gas. As the gas is flammable, do not smoke or use an open flame during this time.



GROUNDING INSTRUCTIONS

- This appliance must be grounded. In the event of a malfunction or breakdown, grounding will reduce the risk of electric shock by providing a path of least resistance of electric current. This appliance is equipped with a cord having an equipment-grounding conductor and a grounding plug. The plug must be plugged into an appropriate outlet that is installed and grounded in accordance with all local codes and ordinances.

WARNING!

- Improper connection of the equipment-grounding conductor can result in a risk of electric shock. Check with a qualified electrician or service representative if you are in doubt whether the appliance is properly grounded. Do not modify the plug provided with the appliance; if it is not fit for the outlet, have a proper outlet installed by a qualified electrician.



WARNING! PROPER USE

- Do not abuse, sit on, or stand on the door or dish rack of the dishwasher.
Do not touch the heating element during or immediately after use.
- Do not wash plastic items unless they are marked dishwasher safe or the equivalent. For plastic items not so marked, check the manufacturer's recommendations.
- Use only detergent and rinse additives designed for an automatic dishwasher. Never use soap, laundry detergent, or hand washing detergent in your dishwasher. Keep these products out of children.
- Keep child away from detergent and rinse aid, keep child away from the open door of the dishwasher, there could still be some detergent left inside.
- The door should not be left in the open position since this could present a tripping hazard.
- During installation, the power supply must not be excessively or dangerously bent or flattened.
- To reduce the risk of injury, do not allow children to play in or on a dishwasher.
- Do not operate your dishwasher unless all enclosure panels are properly in place. Open the door very carefully if the dishwasher is operating, there is a risk of water squirting out.
- Do not place any heavy objects on the door when it is open. The appliance could tip forward.
- When loading items to be washed:
 - 1) Locate sharp items so that they are not likely to damage the door seal;
 - 2) Load sharp knives with the handles up to reduce the risk of cut-type injuries.
- When using your dishwasher, you should prevent plastic items from contacting with heating element.
- If the supply cord is damaged, it must be replaced by the manufacturer or its service agent or a similarly qualified person in order to avoid a hazard.
- Please dispose of packing materials properly.
- Use the dishwasher only for its intended function.
- Remove the door to the washing compartment when removing an old dishwasher from service or discarding it.
- Do not tamper with controls.

READ AND FOLLOW THIS SAFETY INFORMATION CAREFULLY

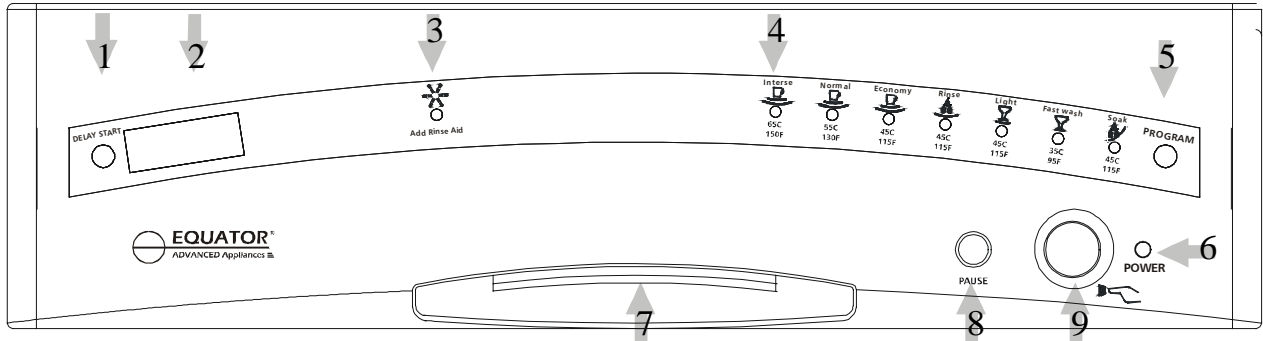
SAVE THESE INSTRUCTIONS

IMPORTANT!

To get the best performance from your dishwasher, read all operating instructions before using it for the first time.

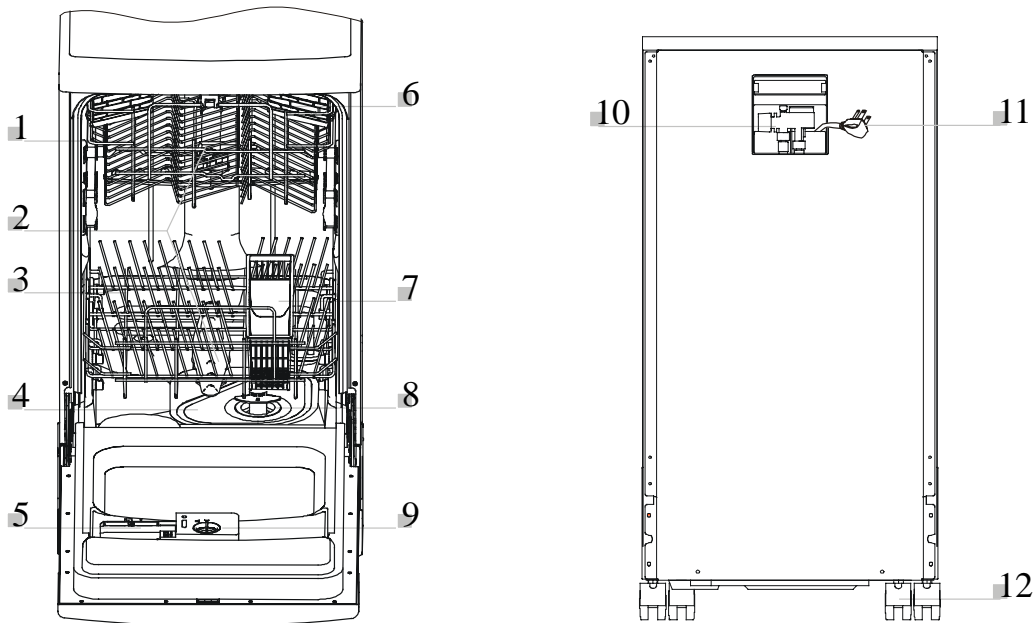
About the Dishwasher Control Panel

Models: SP 818 & WP 818



- 1 Delayed Start Button: Press this button to set the delayed hours for washing.
- 2 Display Window: Program remaining time, delay time, and fault codes.
- 3 Rinse Aid Warning light: Add more rinse aid as the indicator on the front panel lights up.
- 4 Program indicator light
- 5 Program Button: Pressed to choose desired program, whose program indicator light will come on.
- 6 Power On indicator light: Comes on when the power is turned on.
- 7 Door Lock: Pull it to open the door.
- 8 Start/Pause Button: Press this button to start or pause.
- 9 Power Switch: Turn on/off the power supply.

DISHWASHER FEATURES










Front View
(Door open)

Back View

- 1 Upper Basket
- 2 Spray Arms
- 3 Lower Basket
- 4 Main Filter
- 5 Detergent Dispenser
- 6 Cup Shelf
- 7 Silverware Basket
- 8 Coarse Filter
- 9 Rinse Aid Dispenser
- 10 Portable Faucet Adapter Assembly
- 11 Power Cord
- 12 Caster

WASH CYCLE TABLE

Program	Cycle	Cycle Selection Information	Description of Cycle	Detergent pre/main	Rinse Aid
Intense	 65C 150F	For the heaviest soiled loads, such as pots, pans, casserole dishes and dishes that have been sitting with dried food on them for a while.	Pre-rinse (115°F) Wash (150°F) Rinse Rinse (158°F) Drying.	4/20 gr.	★
Normal	 55C 130F	For normally soiled loads, such as pots, plates, glasses and lightly soiled pans. standard daily cycle.	Pre-rinse Wash (130°F) Rinse Rinse (158°F) Drying.	4/20 gr.	★
Economy	 45C 115F	For lightly soiled loads, such as plates, glasses, bowls and lightly soiled pans.	Wash (115°F) Rinse Rinse (158°F) Drying.	20 gr.	★
Rinse	 45C 115F	For dishes that need to be rinsed and dried only	Rinse Rinse (158°F) Drying.		★
Light	 45C 115F	A shorter wash for lightly soiled loads that do not need drying.	Wash (115°F) Rinse Rinse (150°F) Drying	15 gr.	★
Fast wash	 35C 95F	For lightly soiled loads, such as glasses, crystal and fine china.	Wash (95°F) Rinse Rinse	15 gr.	
Soak	 45C 115F	Pre-wash of dishes pots and pans while waiting for the load to be completed after the subsequent meal.	Pre-rinse		

TURNING ON THE APPLIANCE

Starting a wash cycle. . .

- 1 Draw out the lower and upper basket, load the dishes and push them back. It is recommended that loading the lower basket first, then the upper one.
- 2 With a little force to ensure the door is properly closed.
NOTE: A click could be heard when the door is closed perfectly.
- 3 Insert the plug into the socket.
The power supply is 120VAC 60HZ, the specification of the socket is 15A 125VAC.
- 4 Press the ON/OFF button
- 5 According to the soil level to choose the desired program by pressing the program selection button.
- 6 Press the Start/Pause button to start the washing.
- 7 Press the ON/OFF button at the end of washing. Open the door of dishwasher after waiting 30 minutes.

Change the Programme

When the dishwasher is running, you want to change the using programme, you should do according the following step.

- 1 Press the Start/Pause button to stop the washing.
- 2 Press (or turn around) the programme button to select the desired programme.
- 3 Press the button to start washing.



At the end of the wash

At end of washing, the time display will flash for 8 seconds while the buzzer sound. But at the end of delayed washing, no sound of the buzzer, only the flash of the time display.

NOTE: If you open the door when washing, the machine will delay start for several seconds, which will make the dishwasher work much better.

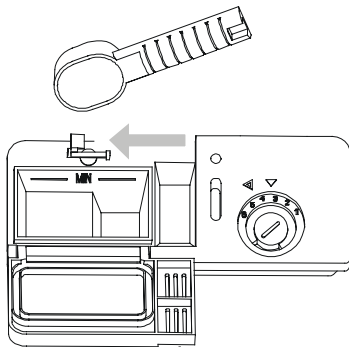
DETERGENT DISPENSER

YOU MAY NOT ADD TOO MUCH DETERGENT TO PREVENT THE FORMATION OF DEPOSITS BECAUSE OUR DISHWASHERS HAVE SPECIALLY-DESIGNED WATER SOFTENERS.

The dispenser must be refilled before the start of each wash cycle following the instructions provided in the "Wash Cycle Table". Our dishwashers use less detergent and rinse aid than conventional dishwashers. Generally, only one tablespoon of detergent is needed for a normal wash load. Also, more heavily soiled items need more detergent. Always add the detergent just before starting dishwasher, otherwise it could get damp and will not dissolve properly.

Amount of Detergent to Use

IF THE WATER ISN'T TOO HARD, YOU MAY ALSO PREVENT THE FORMATION OF DEPOSITS BY ADDING DETERGENT. The amount of detergent needed can vary due to differences in water hardness. To determine the water hardness in your area, contact your local water utility or area water softening company. The harder the water, the more detergent you may need. Remember, you should adjust the amount of detergent you use by small amounts until you find the correct amount.



⚠ WARNING!

Dishwasher detergent is corrosive! Take care to keep it out of reach of children.

Removing Hard Water Spots

To remove hard water spots, try the following:

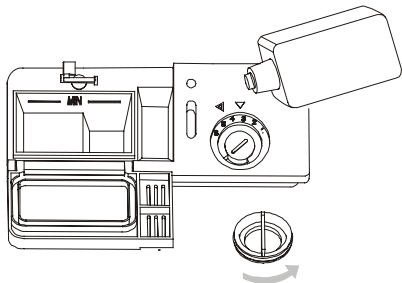
- Run dishes through a normal wash program.
- Remove all metal dishware, such as cutlery, pans, etc., from the dishwasher.
Do not add detergent.
- Pour two cups of vinegar into a bowl and set the bowl face up on the lower rack of the dishwasher.
Run the dishes through a normal wash program.

If this doesn't work, try the same process with 1 / 4 cup of citric acid crystals instead of vinegar.

Proper Use of Detergent

Use only detergent specifically made for use in dishwashers. Keep your detergent fresh and dry. Don't put powder detergent into the dispenser until you're ready to wash dishes.

RINSE AID DISPENSER



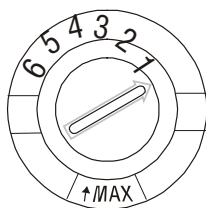
- To open the dispenser, turn the cap to the "open" (left) arrow and lift it out.
- Pour the rinse aid into the dispenser, being careful not to overfill.
- Replace the cap by inserting it aligned with "open" arrow and turning it to the closed (right) arrow.

The rinse aid is released during the final rinse to prevent water from forming droplets on your dishes that can leave spots and streaks. It also improves drying by allowing water to "sheet" off the dishes.

Our dishwashers are designed to use liquid rinse aids. The rinse aid dispenser is located inside the door next to the detergent dispenser. To fill the dispenser, open the cap and pour the rinse aid into the dispenser until the level indicator turns completely black. The dispenser holds about 100 ml of liquid rinse aid.

Be careful not to overfill the dispenser, because this could cause over sudsing. Wipe away any spills with a damp cloth. Don't forget to replace the cap before you close the dishwasher door. If you have soft water, you may not need rinse aid for it may cause a white film to develop on your dishes.

Adjusting Rinse Aid Dispenser

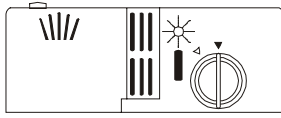


A measured amount of rinse aid is released during the final rinse. As with detergent, the amount of rinse aid needed for your dishes depends on the hardness of the water in your area. Too much rinse aid can result in lather of foaming and cause cloudiness or steaks on your dishes. If the water in your area is very soft, you may not need rinse aid. If you do, you can dilute the rinse aid with an equal amount of water.

The rinse aid dispenser has six settings. Always start with the dispenser set on "1". If spots and poor drying are problems, increase the amount of rinse aid dispensed by removing the dispenser lid and rotating the dial to "2". If the dishes still are not drying properly or are spotted, adjust the dial to the next higher number until your dishes are spot-free. We suggest you to set on "4".

When to Refill the Rinse Aid Dispenser

If there is no rinse aid warning light in the control panel, you can judge the amount of rinse aid by the following means. The black dot on the rinse aid dispenser indicates the amount of rinse aid in the dispenser. As the rinse aid diminishes, the size of the black dot decreases. You should never let the rinse aid get below 1 / 4 full.



As the rinse aid diminishes, the size of the black dot on the rinse aid level indicator changes, as illustrated below.

- Full
- 3 / 4 full
- 1 / 2 full
- 1 / 4 full – Should refill to eliminate spotting
- Empty

Loading the Dishwasher Racks.

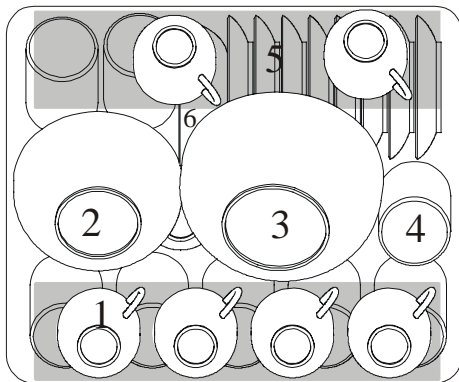
For best performance of the dishwasher, follow these loading guidelines. Features and appearance of racks and silverware baskets may vary from your model.

How to use the Upper Rack

The upper rack is designed to hold more delicate and lighter dishware such as glasses, coffee and tea cup and saucers, as well as plates, small bowls and shallow pans (as long as they are not too dirty).

Position the dishes and cookware so that they do not get moved by the spray of water.

The upper rack can be adjusted for height by putting wheels of different height into the rails.



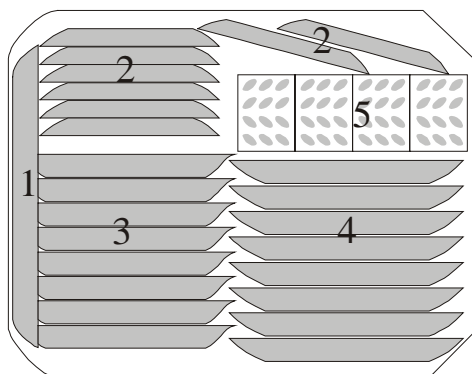
- 1 Cups
- 2 Small serving bowl
- 3 Large serving bowl
- 4 Glasses
- 5 Saucers
- 6 Dish
- 7 Plates

How to use the Lower Rack

We recommend that you place large items which are most difficult to clean into the lower rack: pots, pans, lids, serving dishes and bowls, as shown in the figure to the right.

It is preferable to place serving dishes and lids on the side of the racks in order to avoid blocking the rotation of the top spray arm.

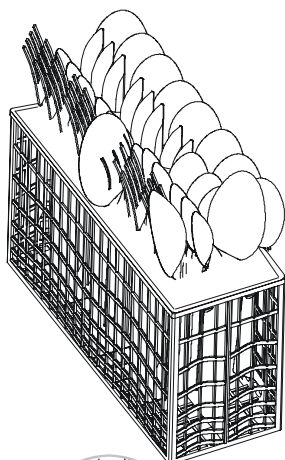
- Pots, serving bowls, etc, must always be placed top down.
- Deep pots should be slanted to allow water to flow out.
- The bottom rack feature fold down tine rows so that larger or more pots and pans can be loaded.



- 1 Oval platter
- 2 Dinner plates
- 3 Soup plates
- 4 Dessert dishes
- 5 Silverware basket

SILVERWARE BASKET

Silverware should be placed in the silverware basket with handles at the bottom. If the rack has side baskets, the spoon should be loaded individually into the appropriate slots. Especially long utensils should be placed in the horizontal position at the front of the upper rack.



1	4	5	2
1	4	5	
1	4	5	2
1	4	5	2
4	4	5	2
7	4	5	2
8	3	5	
1	3	3	2
1	3	3	
6	3	6	2

- | | | | |
|----------|----------------|----------|---------------|
| 1 | Forks | 5 | Knife |
| 2 | Soup spoons | 6 | Serving spoon |
| 3 | Dessert spoons | 7 | Gravy ladle |
| 4 | Teaspoons | 8 | Serving fork |

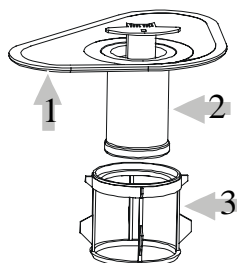


▲ WARNING!

Do not let any item extend through bottom.

Filtering System

For your convenience, we have placed the drain pump and filtering system within easy reach inside the tub. There are three components of the filtering system: the main filter, the coarse filter, and the fine filter.



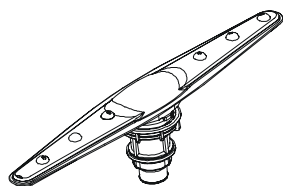
- 1** Main filter
Food and soil particles trapped by this filter are pulverized by a special jet on the lower spray arm and washed down the drain.
- 2** Coarse filter
Larger items, such as pieces of bone or glass, that could clog the drain are trapped in the coarse filter. To remove an item caught in this filter, gently squeeze the tabs on top of this filter and lift it out.
- 3** Fine filter
This filter holds soil and food residue in the sump area and prevents it from being redeposited on the dishes during a cycle.

Caring for the Dishwasher

To clean the control panel use a lightly dampened cloth then dry thoroughly. To clean the exterior use a good appliance polish wax.

Never use sharp objects, scouring pads or harsh cleaners on any part of the dishwasher.

Protect Against Freezing



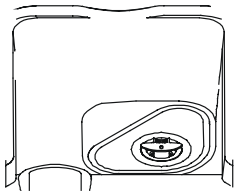
If your dishwasher is left in an unheated place during the winter, ask a service technician to:

- 1** Cut off electrical power to the dishwasher. Remove fuses or trip circuit breaker.
- 2** Turn off the water supply and disconnect the water inlet pipe from the water valve.
- 3** Drain water from the inlet pipe and water valve. (Use a pan to catch the water.)
- 4** Reconnect the water inlet pipe to the water valve.
- 5** Remove the plastic sump cover in the tub the bottom and use a sponge to soak up water in rubber boot.

Cleaning the Spray Arms

It is necessary to clean the spray arms regularly for hard water chemicals will clog the spray arm jets and bearings. To remove the spray arm, screw off the nut to take out the washer on top of the spray arm and remove the arm. Wash the arms in soapy and warm water and use a soft brush to clean the jets. Replace them after rinsing them thoroughly.

Cleaning the Filters



Filter assembly

For best performance and results, the filter assembly must be cleaned.

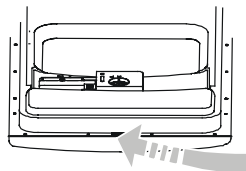
The filter efficiently removes food particles from the wash water, allowing it to be recirculated during the cycle. For this reason, it is a good idea to remove the larger food particles trapped in the filter after each wash cycle by rinsing the semicircular filter and cup under running water. To remove the filter assembly, pull on the cup handle in the upward direction. The entire filter assembly should be cleaned at least once a month.

To clean the coarse filter and the fine filter, use a cleaning brush. Then, reassemble the filter parts as shown in the figures left and reinsert the entire assembly in the dishwasher, positioning in its seat and pressing downward.

The dishwasher must never be used without the filters. Improper replacement of the filter may reduce the performance level of the appliance and damage dishes and utensils.

⚠ WARNING!

Never run the dishwasher without the filters in place.



Cleaning the Door

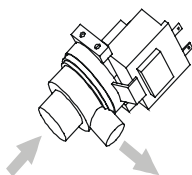
To clean the edge around the door, you should use only a soft warm, damp rag. To prevent penetration of water into the door lock and electrical components, do not use a spray cleaner of any kind.

Also, never use abrasive cleaners or scouring pads on the outer surfaces because they will scratch the finish. Some papers towels can also scratch or leave marks on the surface.

⚠ WARNING!

Never use a spray cleaner to clean the door panel for it could damage the door lock and electrical components. It is not allowed to use the abrasive agent or some paper towel because of the risk of scratching or leaving spots on the stainless steel surface.

Cleaning the Drain Pump



Something will occasionally move into the filters and the drain pump. If this occurs, the drain pumps employed in our dishwashers are designed to automatically reverse, ejecting the item back into the sump area or down the drain. If you have to remove an obstacle from the drain pump, before you remove the filters, you should turn off the power; Then remove the small black insert from the sump area. (You might want to remove any standing water first). Scoop out the item that is probably in the sump area and causes the obstruction. Remember to replace the black insert before you put the filters back in.

How to Keep Your Dishwasher in Shape

■ After Every Wash

After every wash, turn off the water supply to the appliance and leave the door slightly ajar so that moisture and odors are not trapped inside.

■ Remove the Plug

Before cleaning or performing maintenance, always remove the plug from the socket. Do not run risks.

■ No Solvents or Abrasive Cleaning

To clean the exterior and rubber parts of the dishwasher, do not use solvents or abrasive cleaning products. Rather, use only a cloth and warm soapy water. To remove spots or stains from the surface of the interior, use a cloth dampened with water and a little white vinegar, or a cleaning product made specifically for dishwashers.

■ When You Go on Holiday

When you go on holiday, it is recommended that you run a wash cycle with the dishwasher empty and then remove the plug from the socket, turn off the water supply and leave the door of the appliance slightly ajar. This will help the seals last longer and prevent odors from forming within the appliance.

■ Moving the Appliance

If the appliance must be moved, try to keep it in the vertical position. If absolutely necessary, it can be positioned on its back.

■ Seals

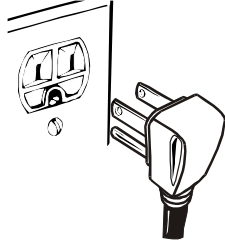
One of the factors that cause odors to form in the dishwasher is food that remains trapped in the seals. Periodic cleaning with a damp sponge will prevent this from occurring.

ABOUT ELECTRICITY CONNECTING

⚠ CAUTION, for personal safety:

DO NOT USE AN EXTENSION CORD OR AN ADAPTER PLUG WITH THIS APPLIANCE.

DO NOT, UNDER ANY CIRCUMSTANCES, CUT OR REMOVE THE THIRD GROUNDING PRONG FROM THE POWER CORD.



Insure proper ground exists before use

Electrical Requirements

This dishwasher is designed for operation on an adequately wired individual 120VAC, 60HZ, and connected to an individual, properly grounded branch circuit, protected by a 15 or 20 amp circuit breaker or time-delay fuse.

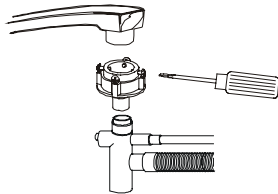
If the electric supply provided does not meet the above specifications, it is recommended that a licensed electrician install an approved outlet.

Your dishwasher circuit should not be used for any other appliance while the dishwasher is in operation as the dishwasher requires the full capacity of the circuit.

If the wall socket you plug the dishwasher's power cord into is controlled by a switch, turn on the switch.

ABOUT THE UNICOUPLE.

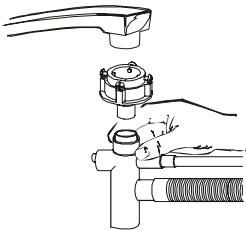
Before Operating the Dishwasher the First Time



Attach the faucet adapter. The special faucet adapter supplied with your dishwasher must be assembled to the sink faucet before you can use your dishwasher if your faucet is not threaded. You will find the adapter installed with uncouples.

If faucet has no threads: attach the faucet adapter to faucet, then tighten every screw of the adapter. To prevent leaking you should tighten the adapter.

How to Connect the Unicouple



- 1 Pull Unicouple and its hoses completely out from storage compartment located at rear of dishwasher and attach it to the faucet adapter.
- 2 Attach the Unicouple connector to the faucet adapter by depressing the collar at the top of the connector. When Unicouple is all the way up onto the adapter, release the collar. It will then snap into position to lock the Unicouple in place. The Unicouple's small hose carries water from the faucet to the dishwasher. Its large hose carries drain water to the sink. Be sure Unicouple is pointing toward the sink bowl drain opening and the sink drain is open for water that will drain from your dishwasher. If your dishwasher drains into a disposer, operate the disposer until it is completely empty before starting the dishwasher.
- 3 Turn water fully on before starting the dishwasher.

⚠ WARNING!

A hose that attaches to a sink spray can burst if it is installed on the same water line as the dishwasher. If your sink has one, it is recommended that the hose be disconnected and hole plugged.

How to Disconnect the Unicouple

- 1 Turn off the water.
- 2 Release the water pressure by depressing the pressure release button. This relieves water pressure and protects you, and the room, from severe splashing.
- 3 Release Unicouple from faucet by depressing the collar at the top of the Unicouple connector.

How to Disconnect the Dishwasher

- 1 Remove the power cord plug from the wall socket.
- 2 Disconnect Unicouple from faucet adapter.

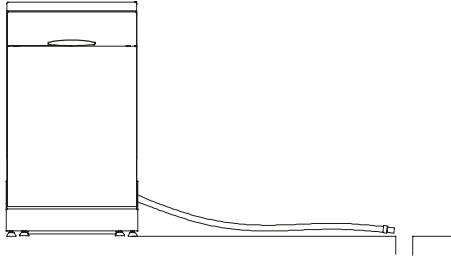
NOTE: When the cycle is over, the Unicouple can be disconnected and returned to storage.

Hot Water Connection

The water supply to the appliance can also be connected to the house hot water line (centralized system, heating system), as long as it does not exceed a temperature of 60 C.

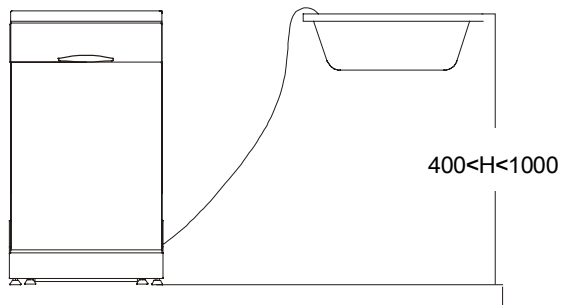
In this case, the wash cycle time will be shortened by about 15 minutes and the wash efficiency slightly reduced. The connection must be made to the hot water line following the same procedures as those for the connection to the cold water line.

How to Drain Excess Water

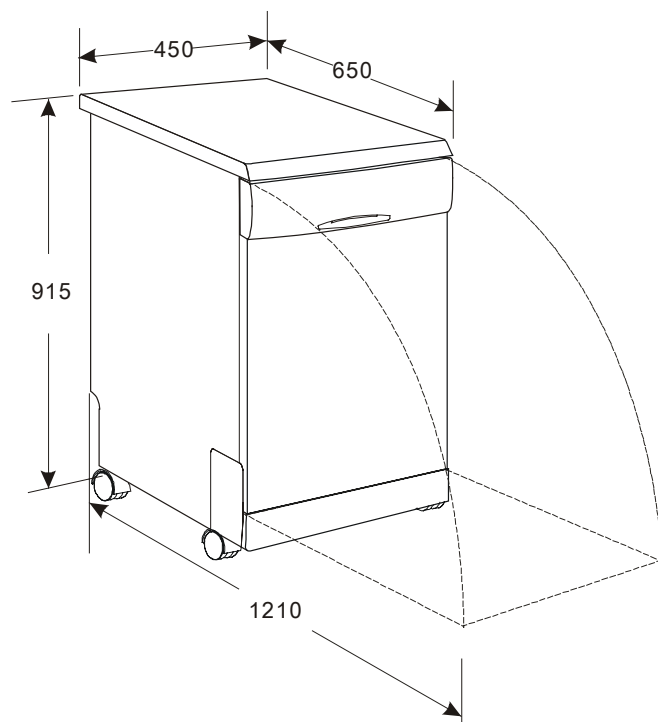


If the sink is 34 inches or higher from the floor, the excess water in Unicouple hoses cannot be drained directly into the sink. It will be necessary to drain excess water from hoses into a bowl or suitable container that is held outside and lower than the sink.

HANGING HEIGHT OF DRAIN PIPE



DIMENSIONS(mm)



BEFORE CALLING FOR SERVICE . . .


Troubleshooting Tips

Review the charts on the following pages may make you be free of calling for service.



<i>Problem</i>	<i>Possible Causes</i>	<i>What To Do</i>
<i>Dishwasher doesn't run</i>	Fuse blown, or the circuit breaker acted	Replace fuse or reset circuit breaker. Remove any other appliances sharing the same circuit with the dishwasher
	Power supply is turned off	Make sure the dishwasher is turned on and the door is closed securely. Make sure the power cord is properly plugged into the wall socket.
	Start button isn't pressed	Pressed the Start button.
<i>Drain pump doesn't stop</i>	Overflow	The system is designed to detect an overflow. When it does, it shuts off the circulation pump and turns on the drain pump.
<i>Noise</i>	Some audible sounds are normal	Sound from soft food shredding action and detergent cup opening.
	Utensils are not secure in the baskets or something small has dropped into the basket	To ensure everything is secured in the dishwasher.
	Motor hums	Dishwasher has not been used regularly. If you do not use it often, remember to set it to fill and pump out every week, which will help keep the seal moist.
<i>Suds in the tub</i>	Improper detergent	Use only the special dishwasher detergent to avoid suds. If this occur, open the dishwasher and let suds evaporate. Add 1 gallon of cold water to the tub. Close and latch the dishwasher, then drain out the water by slowly turning the dial until a drain period is reached. Repeat if necessary.
	Spilled rinse agent	Always wipe up rinse agent spills immediately.
<i>Stained tub interior</i>	Detergent with colorant was used	Make sure that the detergent is the one without colorant.
<i>Dishes are not dried</i>	Rinse agent dispenser is empty	Make sure that the rinse agent dispense is filled.
<i>Dishes and flatware not clean</i>	Clogged air gap	Clean the air gap.
	Improper rack loading	Make sure that the action of the detergent dispenser and spray arms are not blocked by large dishware.
<i>Spots and filming on glasses and flatware</i>	Extremely hard water Low inlet temperature Overloading the dishwasher Improper loading Old or damp powder detergent Empty rinse agent dispenser Incorrect dosage of detergent	To remove spots from glassware: 1 Take out all metal utensils out of the dishwasher. 2 Do not add detergent. 3 Choose the longest cycle. 4 Start the dishwasher and allow it to run for about 18 to 22 minutes, then it will be in the main wash. 5 Open the door to pour 2 cups of white vinegar into the bottom of the dishwasher. 6 Close the door and let the dishwasher complete the cycle. If the vinegar does not work: Repeat as above, except use 1/4 cup (60 ml) of citric acid crystals instead of vinegar.

BEFORE CALLING FOR SERVICE . . .

<i>Problem</i>	<i>Possible Causes</i>	<i>What To Do</i>
 <i>Cloudiness on glassware</i>	Combination of soft water and too much detergent	Use less detergent if you have soft water and select a shortest cycle to wash the glassware and to get them clean.
<i>Yellow or brown film on inside surfaces</i>	Tea or coffee stains	using a solution of 1/2 cup of bleach and 3 cups warm water to remove the stains by hand. ▲ WARNING You have to wait for 20 minutes after a cycle to let the heating elements cool down before cleaning interior; otherwise, burns will happen.
	Iron deposits in water can cause an overall film	You have to call a water softener company for a special filter.
<i>White film on inside surface</i>	Hard water minerals	To clean the interior, use a damp sponge with dishwasher detergent and wear rubber gloves. Never use any other cleaner than dishwasher detergent for the risk of foaming or suds.
<i>Detergent left in dispenser cups</i>	Dishes block detergent cups	Re-loading the dishes properly.
<i>Steam</i>	Normal phenomenon	There is some steam coming through the vent by the door latch during drying and water draining.
<i>Black or gray marks on dishes</i>	Aluminum utensils have rubbed against dishes	Use a mild abrasive cleaner to eliminate those marks.
<i>Water standing in the bottom of the tub</i>	This is normal	A small amount of clean water around the outlet on the tub bottom at the back of the tub keeps the water seal lubricated.
<i>Water doesn't pump out of the tub</i>	Drain is clogged	Make sure the kitchen sink is draining well. If the dishwasher drains into a disposer, run it clear.
<i>Dishwasher leaks</i>	Overfill dispenser or rinse aid spills	Be careful not to overfill the rinse aid dispenser. Spilled rinse aid could cause oversudsing and lead to overflowing. Wipe away any spills with a damp cloth.
	Dishwasher isn't level	Make sure the dishwasher is level.

FAULT CODES

<i>Codes</i>	<i>Meanings</i>	<i>Possible Causes</i>
<i>E1</i>	Longer inlet time.	Faucets is not opened.
<i>E2</i>	Longer draining time.	The installation position of the drain pipe is too high.
<i>E3</i>	Longer heating time, but not reaching required temperature	Malfunction of temperature sensor or of heating element.
<i>E4</i>	Overfilled.	Too much inlet water.
<i>E5</i>	Abnormal temperature	Short circuit or break of temperature sensor

▲ WARNING!

If overflow occurs, turn off the main water supply before calling a service. If there is water in the base pan because of an overfill or small leak, the water should be removed before restarting the dishwasher.

OVERFLOW CONDITIONS

The dishwasher is designed to detect/monitor water overflow conditions. The overflow tube is located in the lower (well) section of the inner door liner. This tube must be kept free and clear of obstructions and debris. In the event of an overflow condition, the water level rises above the height of the overflow tube and is directed into the overflow container.

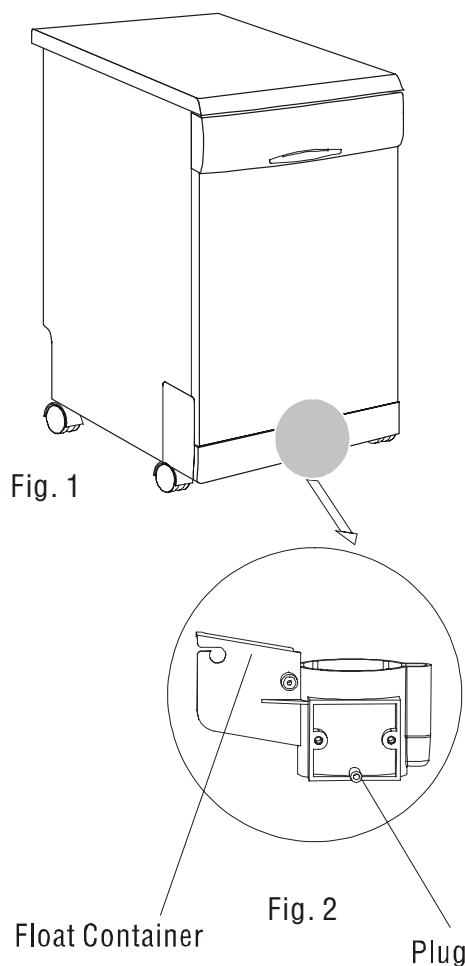
(Located at the lower right side of the dishwasher)

When the water level reaches a predetermined height, the float switch is activated closing power to the water inlet valve and automatically turns on the pump to evacuate the water inside the tub only. The accumulated water inside the float container must be discharged manually before the dishwasher can be re-started. To empty the float container, follow the instructions below.

PORTABLE DISHWASHER:

- * Remove the kick-plate by pulling forward.
- * Disconnect the dishwasher from the electrical power supply.
- * Disconnect the flexible (braided) hose from the water inlet valve.
- * **IMPORTANT: Keep the dishwasher upright at all times.**
- * The overflow container is located at the lower front side of the dishwasher.(See Fig. 1)
- * Carefully slide out the dishwasher just enough to access the overflow container.
- * Remove the rubber plug from the bottom of the float container.(See Fig. 2)
- * Allow the water to drain into a cup/container.
- * Replace the rubber plug, making sure it is firmly secured.
- * Re-install the kick-plate.

The dishwasher is now ready to be restarted.



EQUATOR CONTACT NUMBER

PARTS & SERVICE: (800) 776-3538



Equator Corporation
Equator Plaza
2801 W. Sam Houston Parkway N.
Houston, Texas 77043-1611
Tel: 713-464-3422 Fax: 713-464-2151
Toll Free: 800-935-1955
All Rights Reserved
Manual subject to change without notice