

Download the App

Download the M1 App from the App Store or Google Play and install it on your smartphone. Follow the Tutorial on the App.



Connect the M1 to your Smartphone

Once you have installed the M1 App, follow the steps below to connect the M1 to your smartphone:

1. Connect to M1 Dash Cam using the Wi-Fi menu on your smartphone.
2. Find Wi-Fi SSID "Escort M1" and enter the password "12345678."
3. After your smartphone Wi-Fi is connected to the M1, the Escort M1 status LED turns green.

Troubleshooting

If your unit is not operating properly, please follow these troubleshooting steps:

- Make sure the power cord to the M1, as well as the pigtail cord from the M1 to the detector, are both properly connected.
- Make sure the socket of your vehicle's cigarette lighter is clean and free of corrosion.
- Make sure the power cord's adapter is firmly seated in your cigarette lighter, and the power LED is on.
- Make sure the micro SD memory card is properly inserted into the memory card slot.

For a detailed and up-to-date FAQ's, please visit www.escortradar.com/support/faqs

Warning: Changes or modifications to this unit not expressly approved by the party responsible for compliance could void the user's authority to operate the equipment.

Note: This equipment has been tested and found to comply with the limits for a Class B digital device, pursuant to Part 15 of the FCC Rules.

These limits are designed to provide reasonable protection against harmful interference in a residential installation. This equipment generates, uses and can radiate radio frequency energy and, if not installed and used in accordance with the instructions, may cause harmful interference to radio communications. However, there is no guarantee that interference will not occur in a particular installation. If this equipment does cause harmful interference to radio or television reception, which can be determined by turning the equipment off and on, the user is encouraged to try to correct the interference by one or more of the following measures:

- Reorient or relocate the receiving antenna.
- Increase the separation between the equipment and receiver.
- Connect the equipment into an outlet on a circuit different from that to which the receiver is connected.
- Consult the dealer or an experienced radio/TV technician for help.

"This equipment complies with FCC RF radiation exposure limits set forth for an uncontrolled environment.

This equipment should be installed and operated with a minimum distance of 20 centimeters between the radiator and your body."

FCC ID:QKLSSM1

This device complies with Part 15 of the FCC Rules.

Operation is subject to the following two conditions:

- (1) This device may not cause harmful interference, and
- (2) This device must accept any interference received, including interference that may cause undesired operation.

ESCORT M1

DASH CAM



Radar/Laser Detector not included

QUICK START GUIDE

©2018 ESCORT Inc.

Part No. 480-1166-P

Printed in China

THANK YOU!

For purchasing the new ESCORT M1 Dash Cam

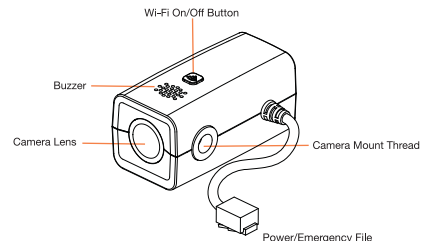
Working side-by-side with your compatible ESCORT or Beltronics detector, the M1 provides cutting edge features, phenomenal video quality, and ease of use.



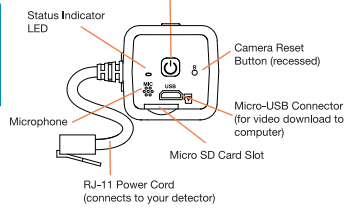
Register your product at:
www.escortradar.com/productregistration
 Full manual available at:
www.escortradar.com

ESCORT M1

- **Wi-Fi Connection** to the Escort M1 App
- **1080P Full HD** with Enhanced Night Vision & Wide Dynamic Range
- **Super-Capacitor Technology** to Withstand Extreme Temperature Operation



Recording Status	
Flashing Green LED:	Recording
Flashing Green & Red LED:	Emergency Recording
Flashing Red LED:	Error

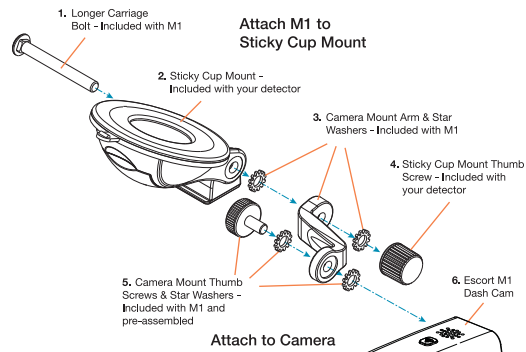


THIS DEVICE COMPLIES WITH PART 15 OF THE FCC RULES. OPERATION IS SUBJECT TO THE FOLLOWING TWO CONDITIONS:
 (1) THIS DEVICE MAY NOT CAUSE HARMFUL INTERFERENCE AND (2) THIS DEVICE MUST ACCEPT ANY INTERFERENCE RECEIVED INCLUDING INTERFERENCE THAT MAY CAUSE UNDESIRABLE OPERATION.

©2018 ESCORT Inc. ESCORT® is a trademark of ESCORT, Inc. APPLE AND THE APPLE LOGO ARE TRADEMARKS OF APPLE INC., REGISTERED IN THE U.S. AND OTHER COUNTRIES. APP STORE IS A SERVICE MARK OF APPLE INC. ANDROID, GOOGLE PLAY AND THE GOOGLE PLAY LOGO ARE TRADEMARKS OF GOOGLE INC. THE BLUETOOTH® WORD MARK AND LOGOS ARE REGISTERED TRADEMARKS OWNED BY BLUETOOTH SIG, INC. AND ANY USE OF SUCH MARKS BY ESCORT IS UNDER LICENSE.

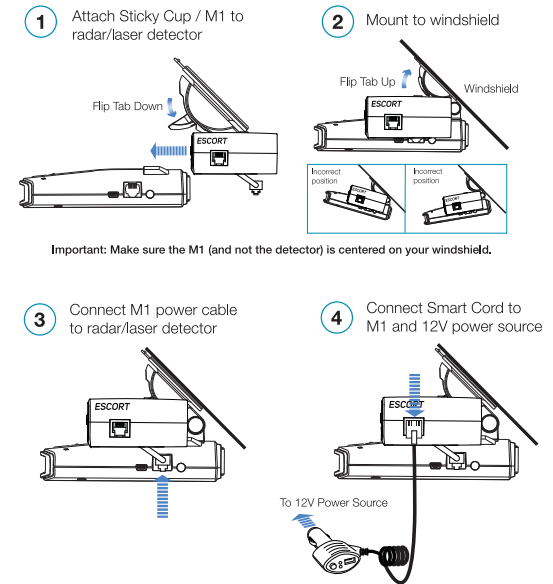
Attach ESCORT M1 to Sticky Cup Mount

Remove your detector from the sticky mount and attach the M1 as shown below.



Note: Some components from your compatible detector's mount will be used. Your M1 is pre-mounted on the Camera Mount Arm, using the Star Washer and Camera Mount Thumb Screw.

Mounting to the Windshield



Important: Make sure the M1 (and not the detector) is centered on your windshield.