

WIRELESS MOBILE REMOTE KIT for iPod Item: 88030

Thank you for purchasing the Wireless Mobile Remote Kit, compatible for use with all full size iPods. Please review the instructions below to ensure proper installation and use of this product.

**INSTALLATION
STEERING WHEEL MOUNT**

Your Wireless Mobile Remote Kit includes a unique mount designed to attach to the inside of your car's steering wheel, enabling you to control your iPod without removing your hands from the steering wheel. The Steering Wheel Mount is adjustable to attach securely to most common automobile steering wheels. Additional cushion pads are included for custom mounting to smaller diameter steering wheels.

To attach the Steering Wheel Mount:

1. Begin by unscrewing the centrally located hex screw. Please use the included Wheel Mount Adjustment Tool (**Diagram 1**).
2. Once the screw is loosened you can place the mount at a preferred position on your steering wheel with the circular Remote Control Unit cavity facing the driver. We recommend a location that does not conflict with your normal grasp of the steering wheel.

IMPORTANT: The Steering Wheel Mount should be attached so that the Wireless Remote Unit is positioned on the steering wheel's INSIDE ONLY (**Diagram 2**).

3. Once you have selected the desired position on the steering wheel, tighten the mount screw using the included Wheel Mount Adjustment Tool.

NOTE: If the screw has been fully tightened but the diameter of your steering wheel is too small to hold the mount properly, you will need to use one or more of the included cushion pads. Return to Step #1 and add one or two cushion pads to the inside of the Steering Wheel Mount as required to securely attach the mount to the steering wheel (**Diagram 3**).

4. Press the Remote Control Unit into the circular cavity on the Steering Wheel Mount until it clicks into place. The Remote Control Unit will rotate so that the buttons are aligned to the mount's position on the steering wheel (**Diagram 4**).

5. To remove the Remote Control Unit, simultaneously press the two buttons on opposite sides of the mount.

NOTE: Store the Wheel Mount Adjustment Tool in a safe location for future use.

Attaching the Wireless Remote Receiver to your iPod:

In order to control the iPod using the Remote Control Unit you will need to attach the included Wireless Remote Receiver to the top of your iPod. With the Nyko logo facing in the same direction as the front of the iPod, gently press the Receiver unit down into the iPod's headphone and remote jacks (**Diagram 5**).

IMPORTANT: When attaching the Wireless Remote Receiver, do NOT use force. The receiver is designed to attach easily to the iPod. No force is necessary.

WIRELESS REMOTE FUNCTION AND FEATURES:

PLAY / PAUSE BUTTON: Press this button to Play or Pause the current track. Holding this button down for 4 seconds turns the iPod power OFF (or ON if the iPod is OFF).

PLUS (+) BUTTON: Press this button to raise the volume of the iPod headphone jack output.

NOTE: Volume buttons do not control the volume of the Dock Connector audio output, which is preset and cannot be adjusted.

MINUS (-) BUTTON: Press this button to lower the volume of your iPod's headphone jack output. Please note that volume buttons cannot adjust the volume of the Dock Connector audio output. The Audio output of your iPod's Dock Connector is set at a preset level and cannot be adjusted.

TRACK FORWARD (>1) BUTTON: Press this button once to advance to the next track. Holding this button down will fast forward through the current track.

LAST TRACK (1<) BUTTON: Press this button once to go to the beginning of the current track. Press the button twice quickly to go to the previous track in your play list. Holding this button down rewinds through the current track.

REMOTE WRISTBAND ADAPTOR

The Wireless Mobile Remote Kit can be used outside of the car as well. The included Wristband Remote Adaptor enables you to control your iPod while jogging, bicycling, or anywhere on the go.

Attaching the Wireless Remote Unit to the Wristband Adaptor:

The Wireless Remote Unit attaches to the Wristband Remote Adaptor by two lock tabs located on the surface of the wristband (**Diagram 6**).

1. Align the two openings on the underside of the remote with the tabs on the wristband.
2. Gently twist the remote counter clockwise to lock the remote onto the Wristband Adaptor.
3. To remove the remote from the Wristband Adaptor, gently twist the remote clockwise a short distance until the tabs align with openings so that the remote can be pulled free.

NOTE: When attaching or removing the Wireless Remote Unit, no force is necessary. The unit is designed to attach and detach easily from the adaptor.

USING THE CASSETTE ADAPTOR

If your car stereo features a compatible cassette tape player, you can use the included Cassette Adaptor to play your iPod music through your car's stereo system.

IMPORTANT: Use only if the car cassette player supports this type of cassette adaptor. In general, stereos with side-loading cassette tapes that leave the edge of the tape visible

while playing are compatible with this device. If the cassette player in your car draws the cassette in and has a mechanical gate that must close fully during play, we do not recommend using this adaptor. If you have any question regarding the compatibility of the Cassette Adaptor with your car stereo, consult the manufacturer of the car stereo system.

1. Insert the plug at the end of the Cassette Adaptor's cable into the headphone jack located on top of the Wireless Remote Receiver.

2. Measure the distance from the cassette player to the iPod mount, and fold and tie up the excess cable using the attached Velcro wrap.

3. Insert the Cassette Adaptor into the player with the cable end pointing towards you, outside of the cassette player.

4. Once the Cassette Adaptor is properly inserted into the player, play the cassette to activate your iPod. The iPod playback should be audible through the cassette mode of your stereo.

5. To stop playback, stop your iPod and/or press the eject button on the cassette player. Careful use of the device insures a long life for your new accessory. Please be cautious while driving, and focus on the road.

INSTALLING THE UNIVERSAL CAR MOUNT (Diagram 7)

WARNING: For your safety, we recommend that you only access the iPod controls when your automobile is not in motion. Please keep your eyes on the road!

USING THE AIR VENT MOUNT

The vent clips allow for attachment to either vertical or horizontal blades of your dashboard air vents.

1. Attach the vent mounting plate (**A**) to the back of the Universal Car Mount.
2. Insert the vent clips (**B**) into the bottom center of the mounting plate, making sure they are oriented to match the direction of the air vent blades. Then slide them into the rails to the extreme left and right of the mounting plate.
3. Gently insert the vent clips onto the blades of the vent. Never use excessive force in attaching or removing the vent clips.
4. Make sure that the vent clips are spread evenly to each side for optimal weight distribution.

IMPORTANT NOTE: You should restrict hot or cool air flow to the vent holding the Universal Car Mount and iPod by disabling that air vent. Excessive temperatures can cause serious damage to your Universal Car Mount and iPod. Refer to your automobile owner's manual for instructions on controlling air flow to individual air vents.

USING THE STICKER MOUNT

The Sticker Mount is a permanent solution that requires the adhesive mounting plate (**C**) to be attached directly to a surface in your car with an adhesive material.

It is essential to remove any dirt, polish or conditioners which can impair adhesion from the area to receive the adhesive mounting plate. Consult with your car manufacturer as to which products to use for this purpose.

Once you have determined the location on your dashboard or console, double-check the orientation of the adhesive mounting plate before removing the protective paper, making sure the Universal Car Mount will slide DOWNWARDS into the plate. Once the adhesive mounting plate has been attached, leave it in place for approximately 12 hours prior to first use.

IMPORTANT: Removing this adhesive mounting plate may cause damage to your dashboard material. For this reason be very sure of the position before installing the adhesive mounting plate. Nyko does not assume any responsibility for damage that may be caused by removing the adhesive mounting plate after it has been attached.

MOUNTING A FULL SIZE IPOD

1. Make sure that the Universal Car Mount arms (**D**) are in the open position by pressing the release button (**E**) located on top.

2. Place the iPod into the Universal Car Mount and gently push it back against the spring-loaded depth adjuster. Pull the arms together to lock onto the iPod.

3. To release the iPod, simply press the release button on the top of the Universal Car Mount.

MOUNTING THE IPOD MINI

1. Make sure that the Universal Car Mount arms are in the OPEN position.

2. Align the iPod mini to the guides at the inside bottom center of the base. Gently push it back against the spring-loaded depth adjuster. Pull the arms together to lock onto the iPod.

3. To release the iPod mini, simply press the release button on the top of the Universal Car Mount.

Universal Car Mount and iPod by disabling that air vent. Excessive temperatures can cause serious damage to your Universal Car Mount and iPod. Refer to your automobile owner's manual for instructions on controlling air flow to individual air vents.

USING THE STICKER MOUNT

The Sticker Mount is a permanent solution that requires the adhesive mounting plate (**C**) to be attached directly to a surface in your car with an adhesive material.

It is essential to remove any dirt, polish or conditioners which can impair adhesion from the area to receive the adhesive mounting plate. Consult with your car manufacturer as to which products to use for this purpose.

Once you have determined the location on your dashboard or console, double-check the orientation of the adhesive mounting plate before removing the protective paper, making sure the Universal Car Mount will slide DOWNWARDS into the plate. Once the adhesive mounting plate has been attached, leave it in place for approximately 12 hours prior to first use.

IMPORTANT: Removing this adhesive mounting plate may cause damage to your dashboard material. For this reason be very sure of the position before installing the adhesive mounting plate. Nyko does not assume any responsibility for damage that may be caused by removing the adhesive mounting plate after it has been attached.

MOUNTING A FULL SIZE IPOD

1. Make sure that the Universal Car Mount arms (**D**) are in the open position by pressing the release button (**E**) located on top.

2. Place the iPod into the Universal Car Mount and gently push it back against the spring-loaded depth adjuster. Pull the arms together to lock onto the iPod.

3. To release the iPod, simply press the release button on the top of the Universal Car Mount.

MOUNTING THE IPOD MINI

1. Make sure that the Universal Car Mount arms are in the OPEN position.

2. Align the iPod mini to the guides at the inside bottom center of the base. Gently push it back against the spring-loaded depth adjuster. Pull the arms together to lock onto the iPod.

3. To release the iPod mini, simply press the release button on the top of the Universal Car Mount.

USING THE STICKER MOUNT

The Sticker Mount is a permanent solution that requires the adhesive mounting plate (**C**) to be attached directly to a surface in your car with an adhesive material.

It is essential to remove any dirt, polish or conditioners which can impair adhesion from the area to receive the adhesive mounting plate. Consult with your car manufacturer as to which products to use for this purpose.

Once you have determined the location on your dashboard or console, double-check the orientation of the adhesive mounting plate before removing the protective paper, making sure the Universal Car Mount will slide DOWNWARDS into the plate. Once the adhesive mounting plate has been attached, leave it in place for approximately 12 hours prior to first use.

IMPORTANT: Removing this adhesive mounting plate may cause damage to your dashboard material. For this reason be very sure of the position before installing the adhesive mounting plate. Nyko does not assume any responsibility for damage that may be caused by removing the adhesive mounting plate after it has been attached.

MOUNTING A FULL SIZE IPOD

1. Make sure that the Universal Car Mount arms (**D**) are in the open position by pressing the release button (**E**) located on top.

2. Place the iPod into the Universal Car Mount and gently push it back against the spring-loaded depth adjuster. Pull the arms together to lock onto the iPod.

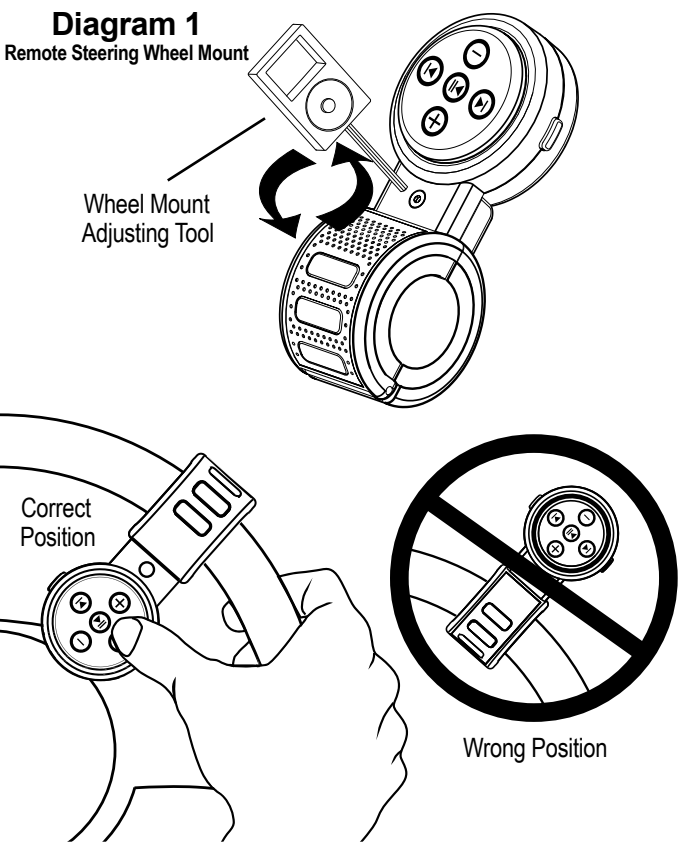


Diagram 2
Remote Steering Wheel Mount Positioned on Steering Wheel

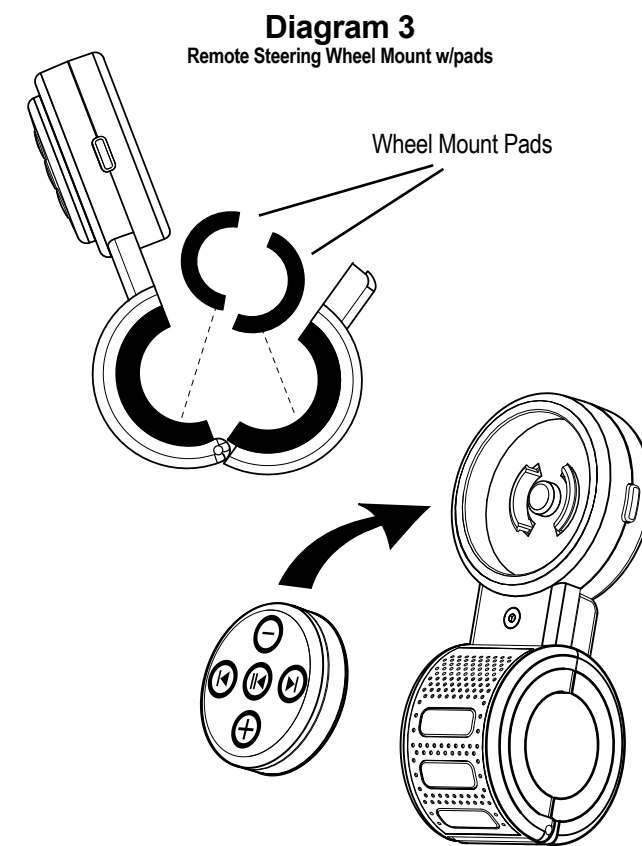


Diagram 4
Installing Remote into Steering Wheel Mount

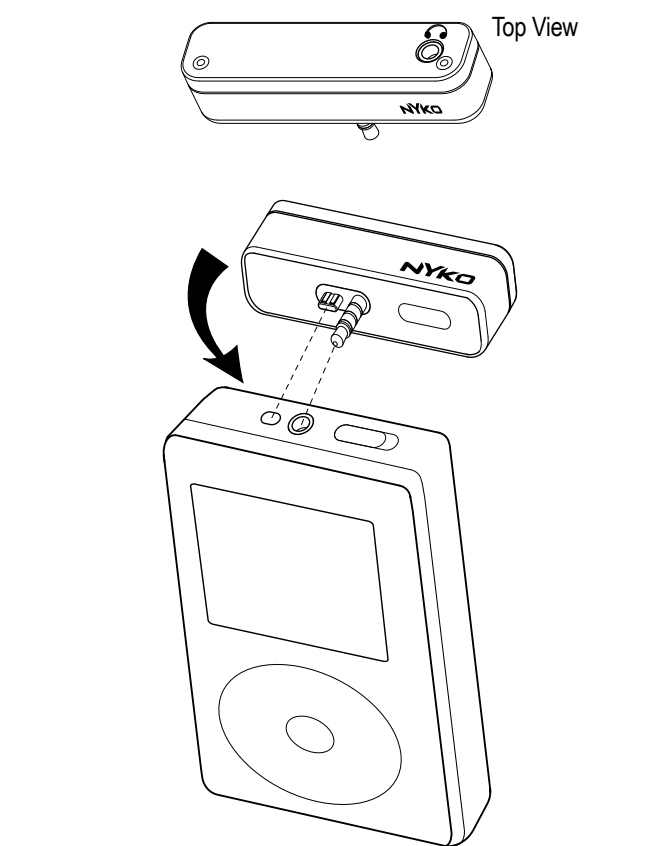


Diagram 5
Attaching Wireless Remote Receiver to iPod

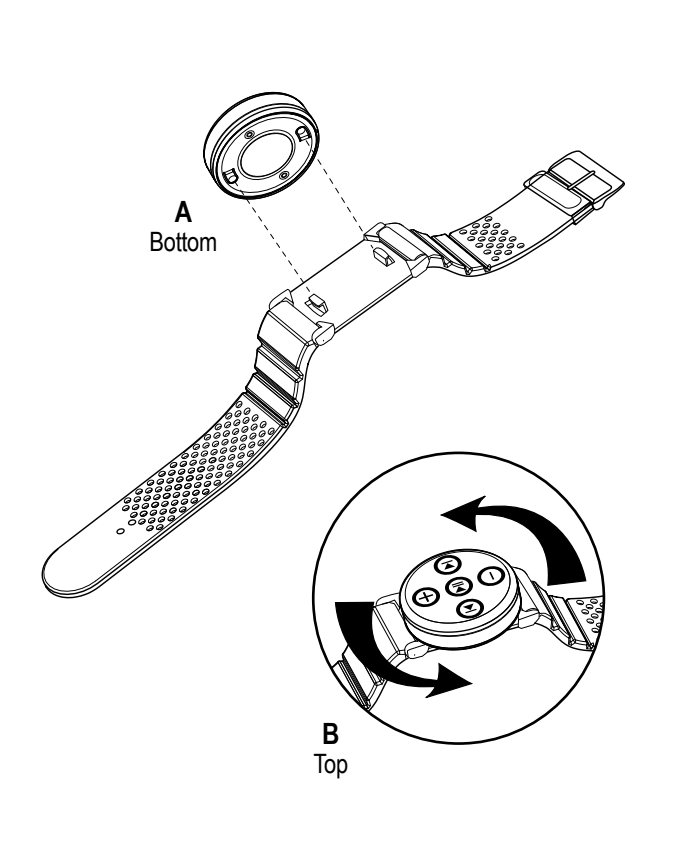


Diagram 6
Attaching Wireless Remote Receiver to Wristband

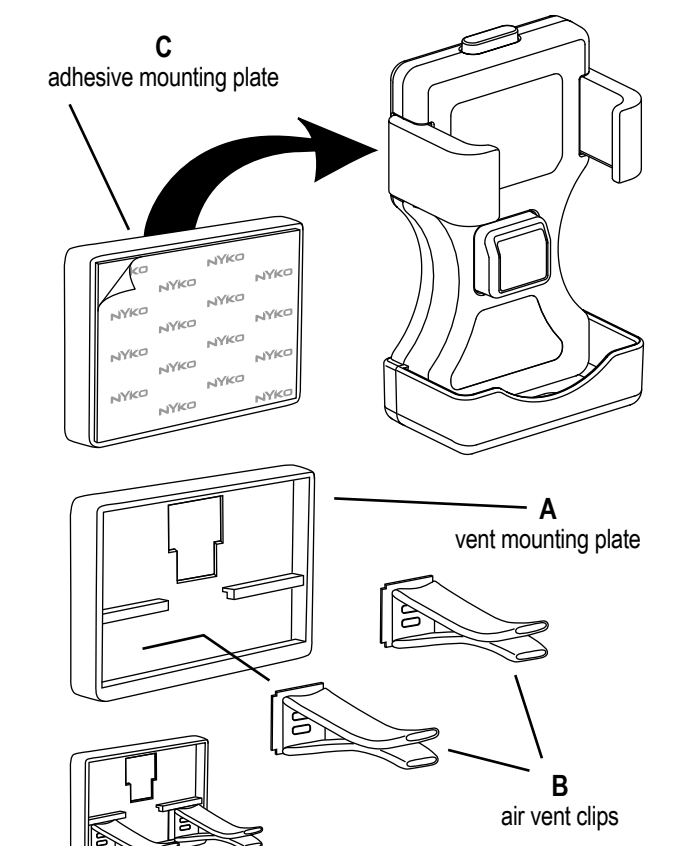


Diagram 7
Installing Universal Car Mount

NYKO

Wireless Mobile Remote Kit

for/pour/para iPod

INSTRUCTIONS

Item# 88030

www.nyko.com

iPod is a trademark of Apple Computer, Inc., registered in the U.S. and other countries. Nyko and Wireless Mobile Remote Kit are trademarks of Nyko Technologies, Inc. ©2005 Nyko Technologies, Inc. All Rights Reserved.