

cannice

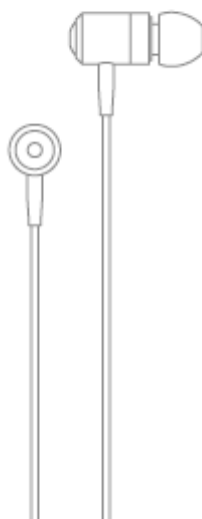
HANDING WIRELESS MUSIC PHONE

Padblue 1 INSTRUCTION

ACCESSORIES



Ear caps

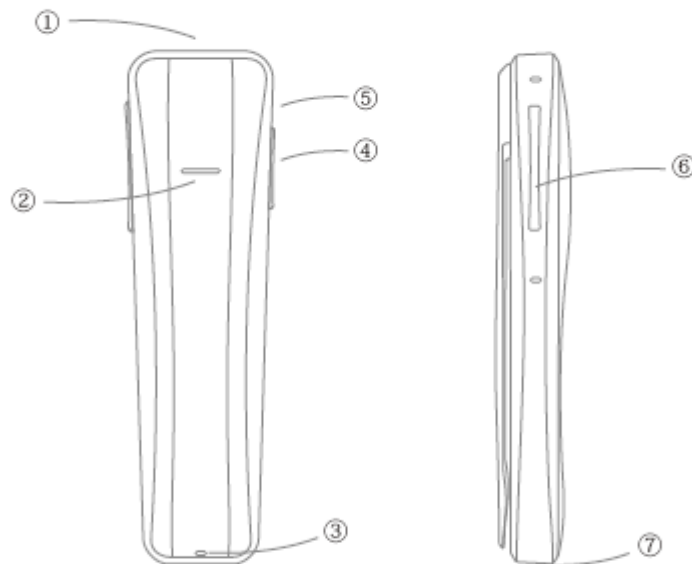


Earphone



USB cable

OVERVIEW



- | | | |
|----------------------|------------------------|---------------|
| ① 3.5mm connect jack | ④ Multifunction button | ⑦ Charge jack |
| ② Dustproof receiver | ⑤ Status indicator | |
| ③ Talking mic | ⑥ Volume +/- | |

※ Make sure you have read the operating instruction manual and security announcements to ensure the proper use of the bluetooth headset. It's strongly recommend that this user manual should be kept properly for future reference. The pictures in the manual only used for description, the real product might be different from it in the pictures.

CHARGING

The Bluetooth headset comes with the chargeable battery that can't be disassembled inside. Make sure the headset is fully charged before first time using.

Connect headset to a USB charger or USB port of computer, it takes about 1.5 hours to fully charged, the indicator flashes blue once fully charged.

※ Please don't plug in and pull out the AC charger frequently while charging, to avoid the shortening life time of the bluetooth headset

TURN ON OR TURN OFF THE HEADSET

※ Ensure there is enough power before using the bluetooth headset.

1. How to turn on the bluetooth headset?

While the headset is in turned-off status, long press the multifunction button for about 4 seconds, the blue indicator flashes 4 times, after this the bluetooth headset is turned on and will be in standby status.

2. How to turn off the bluetooth headset?

While the headset is in turned-on status, long press the multifunction button for about 4 seconds, the red indicator flashes 1 time, after this the bluetooth headset is turned off and will be in turned-off status.

PAIR AND CONNECT TO THE BLUETOOTH HEADSET

Pairing program allows the encrypted wireless connection between the 2 bluetooth devices and begin to communicate with each other. please make sure the operating range of the 2 bluetooth devices within effective range before pairing.

How to pair?

- Long press the multifunction button for about 7 seconds till the red and blue indicators start flashing alternately, the bluetooth headset now in pairing mode the headset will be searchable within 2 minutes.
- Enable the mobile phone bluetooth function and search for the bluetooth headset (please refer to the mobile phone user manual)
- Select the bluetooth headset displayed as Padblue1 among the bluetooth device list.
- Please input 0000 to finish pairing if bluetooth PIN code is required.

※ No need to input the PIN code if the device support fast pairing function.

BASIC OPERATION

Function	Operation	LED status	Alerts
Answer a call	Press any key to answer the call	Blue	With continuous alerts
End a call	Press the multifunction button once	---	---
Reject a call	Press and hold the volume + or volume- button for about 2 seconds	---	With beep alerts
Last number redial	Double - press the multifunction button	---	---
Voice dial (Need phone support)	Press volume + and - buttons simultaneously once	---	---
Switch between phone and headset	Press and hold the volume- button for 2 seconds	---	---
Mute On/Off	Press and hold the volume + button for about 2 seconds	---	---
Volume up	Press the volume+ button	---	---
Volume down	Press the volume- button	---	---
Previous song	Press and hold the volume- button for about 2 seconds	---	---
Next song	Press and hold the volume+ button for about 2 seconds	---	---
Music pause/play	Press the multifunction button once	---	---

Function	Operation	LED status	Alerts
Headset hardware reset	Turn on the headset, press and hold multifunction button, then connect headset to a USB charger, release multifunction button after 2 seconds once LED flashes red.	---	---
Battery low alerts	---	The red indicator flashes once every 8 seconds	Beep 3 times continuously every 30 seconds
Clear paired devices list	Turn off the headset, press Volume + and - simultaneously, then connect headset to a USB charger, release + and - after 4 seconds.	The blue indicator flashes for 3 times	---
Connect to last paired device automatically	Turn on headset, it connects to the last paired device automatically	The blue indicator flashes continuously for 4 times	With beep alerts
Turn off automatically	The headset will turn off automatically when no activity for 3 minutes to save power	---	---

FAQ

Q: Can the bluetooth headset be connected with the laptop,PC or PDA?

A: The device that support the bluetooth version and function can be connected with the headset.

Notes: Please refer to the user manual of the laptop,PC and PDA devices.

Q: What devices will affect the quality of calls?

A: The quality of calls may be affected by the wireless devices, electrostatic noise will occurs commonly,please keep the bluetooth headset away from the radio waves electrical appliances,in order to prevent interference

Notes: Please be aware of the position of the devices making radio waves during phone calls with bluetooth headset.

Q: Will my phone conversation be listened by other bluetooth mobile phones?

A: The radio-frequency power of bluetooth is far lower than regular mobile phone signal power,so the bluetooth signal is hard to be monitored by the third party device.Because after bluetooth headset connected with the mobile phone,a secure connecting will be built between the headset and the device.

Q: How should I clean my bluetooth headset?

A: Please use dry and soft cloth to clean it.

Notes: Please keep the cloth dry and soft.

Q: The bluetooth headset can't be power on..

A: 1) Headset is out of power. please recharge.

2) If step 1 fail. Press the multifunction button for 4 seconds to power on the headset.

3) If step 2 fail. Reset headset refer to headset hardware reset. then press the multifunction button for 4 seconds to power on the headset.

Q: The bluetooth headset can't be power off.

A: 1) Wrong operation. Press and hold the multifunction button for 4 seconds.

2) If step1 fail. Reset headset refer to headset hardware reset.

Q: The bluetooth headset can not be searched.

A: 1) Restart headset to pairing mode, pair and connect headset refer to PAIR AND CONNECT TO THE BLUETOOTH HEADSET.

2) If step1 fail. Reset headset refer to headset hardware reset. Repeat step 1 .

Q: Some of the function described in user manual are not available.

A: Different connected devices have different functions. For instance, when the bluetooth headset connected with PDA, and MP4 and other devices. If the headset is multipointed, Some features need devices (connected to headset) support

Q: When I clip the headset on the clothes, the voice would be weak to the other end point.

A: the headset position is too far from the voice source.

BATTERY INFORMATION

The electricity of the Bluetooth headset is provided by the inner battery. Do not connect the headset with the charger if unnecessary or fully charged. overcharge will shorten the battery life. the headset power will release automatically after fully charged with or without using. Do not put the headset in the place where the temperature is too high or too low. For instance, leave the headset in a locked car in summer. That will shorten its capacity and life.

※Keep the battery temperature between 15°C and 25°C otherwise too hot or too cold may affect its performance. Do not throw it to fire to avoid explosion. Please recycle the invalid batteries correctly.

NOTES & TIPS

- ❶ Do not throw, impact, scrape, screw, hit or vibrate the headset, don't place heavy things on it.
- ❷ Keep the headset away from magnets, electronics and loudspeaker.
- ❸ Keep the headset away from the extreme temperature (working temperature range -10°C ~ 45°C).
- ❹ Keep the headset away from the moist environment.
- ❺ Do not disassemble the bluetooth headset.
- ❻ Touch the button smoothly.
- ❼ Do not clean your headset with the corrosive cleanser.

FCC Statement

Changes or modifications not expressly approved by the party responsible for compliance could void the user's authority to operate the equipment.

This equipment has been tested and found to comply with the limits for a Class B digital device, pursuant to Part 15 of the FCC Rules. These limits are designed to provide reasonable protection against harmful interference in a residential installation. This equipment generates uses and can radiate radio frequency energy and, if not installed and used in accordance with the instructions, may cause harmful interference to radio communications. However, there is no guarantee that interference will not occur in a particular installation. If this equipment does cause harmful interference to radio or television reception, which can be determined by turning the equipment off and on, the user is encouraged to try to correct the interference by one or more of the following measures:

- Reorient or relocate the receiving antenna.
- Increase the separation between the equipment and receiver.
- Connect the equipment into an outlet on a circuit different from that to which the receiver is connected.
- Consult the dealer or an experienced radio/TV technician for help

This device complies with part 15 of the FCC rules. Operation is subject to the following two conditions (1) this device may not cause harmful interference, and (2) this device must accept any interference received, including interference that may cause undesired operation