

Bluetooth Speaker

5B349BT



INSTRUCTION MANUAL

PLEASE READ ALL INSTRUCTIONS CAREFULLY
& RETAIN FOR FUTURE USE

1

Getting Started

Remove the unit from the box.
Remove any packaging from the product.
Please retain all packaging until you have checked and counted all the parts and the contents against the parts list.

Package Contents

Bluetooth Indoor and Outdoor Party Speaker
Shoulder Strap
USB Charging cable
3.5mm auxiliary cord
Instruction manual

Features

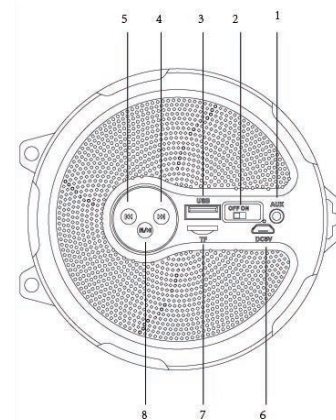
1. Bluetooth Speaker with built-in Sub-Woofer for extra bass output
2. Great Sound
3. Compatible with Bluetooth® devices & connects via 3.5mm audio jack
4. Perfect for use with a variety of electronic devices, indoors or outdoors
5. Built-in USB/Micro SD (TF) card slots to conveniently stream music from digitally stored files
6. USB rechargeable built-in battery
7. Durable, rugged and splash proof
8. Detachable shoulder strap makes it conveniently portable
9. Built-in FM radio
10. Built-in Multi-colored LED Flashing Lights

IMPORTANT SAFETY INFORMATION

1. Read all instructions before using this product.
2. Do not leave this product unattended while connected to the power supply.
3. Do not immerse in water or any other liquids.
4. Do not use if unit has been dropped or damaged in any way.
5. Repairs to electrical equipment should only be performed by qualified personnel. Improper repairs may place user at serious risk.
6. Place unit on sound, even surface, free of vibrations and away from sources of heat.
7. Do not use with wet hands.
8. Do not put objects into openings.
9. Keep free of dust, lint, hair etc.
10. Do not use this unit for anything other than its intended use.
11. Keep this product out of reach of children.
12. This product is not a toy.
13. Do not play music at excessive levels especially near children, as damage to hearing may occur.

2

Description of Parts:



1. Auxiliary Port
2. ON/OFF Switch
3. USB Port (stream music)
4. Increase the volume level/next track
5. Decrease the volume level/previous track
6. DC 5V Charging Port
7. Micro SD (TF) Card Slot (stream music)
8. Play/pause, mode button

INSTRUCTIONS FOR USE

Charging the speaker

For best results, fully charge the unit before use.

1. Connect the USB cord (included) to the charging port of the speaker and insert the other end into a port on your computer or similar power source.
2. The Red LED turns on indicating that the battery is being charged. Once it is fully charged, the Red LED will turn off. It takes nearly 4 to 5 hours to fully charge the Battery.

Note: In order to have better battery life, please do not charge for over 6 hours. Overcharging the speaker can adversely impact the battery life.

Turn On/Off the Speaker

1. To Turn "ON" slide the "POWER ON/OFF" switch to the ON Position.
2. To Turn "OFF" slide the "POWER ON/OFF" switch to the OFF Position.

Pairing your device with Bluetooth Speaker

Your **Bluetooth Speaker** can wirelessly stream audio from any Bluetooth enabled device within 26-33 feet. Simply follow the below steps.

3

Turn the speaker to Bluetooth pairing mode

1. Turn ON the speaker.
2. You would hear the beep tone and a Blue LED blinks rapidly. The speaker is now in pairing mode. And Multi-colored LED Flashing Lights turn on at the same time.
(Note: Speaker will automatically pair with previously paired devices)
3. Turn on the Bluetooth on your Mobile Phone, Tablet or Computer.
4. It will search for various devices.
5. The pairing name of our Bluetooth Speaker is "SL PARTY SPKR", pair it with this device.
6. If required, enter the password '0000' to confirm to finalize pairing.
7. Once paired successfully, the Blue LED will flash slowly.
8. If you fail to pair it within the time frame or you want to pair it with a new device please follows the steps outlined above.

Select your favorite song at the Bluetooth device and music would now stream through Bluetooth speaker.

Listening to Music Wirelessly

Please ensure that your device (iPhone, Tablet or Other Smart Phone) is paired with the Bluetooth Speaker to stream music wirelessly. Once it is paired, play music from your device.

Function	Operation	Button
Increase / Decrease Volume	Playing music	Long press the ►► button to increase the volume or ◀◀ button to decrease the volume to your desired level
Pause	Playing music	Press ► once to pause the music
Play	Pause	Press ► once resume the music
Previous track	Playing music	Short press the ◀◀ button to the previous track
Next track	Playing music	Short press the ►► button to the next track

Aux function of the Speaker (to play music from non-Bluetooth devices)

1. Turn on the speaker.
2. Plug the 3.5 mm auxiliary cord (included) to the auxiliary port of the speaker. And, the other end of the cable connects to the audio device (such as MP3 Players / computer / tablet etc.).
3. Press "MODE" button to select the "AUX-In" function.
4. Select your favorite song at the source device.

Note: Once AUX cable is connected to the Bluetooth Phone & Speaker, music through the Bluetooth will be stopped. Media and volume can be controlled only through source devices, while playing music in Auxiliary mode.

Listening to Music using USB / Micro SD (TF) Card Slot

1. Turn on the speaker.
2. Insert USB flash drive or Micro SD (TF) card into the USB or Micro SD (TF) Card Slot. Music would be automatically streamed.
3. Press Skip Forward or Skip Backward to move forward or backward on your playlist.

4

4. Press Play/Pause to Play or Pause a track.

Note: While using Bluetooth, if you insert USB Flash drive or Micro SD (TF) Card, speaker would disconnect the Bluetooth connection and switch to USB/Micro SD (TF) card function. You can press MODE button again, to select the Bluetooth mode.

Listening to FM radio

FM Radio Addendum, While playing FM Radio, please plug Micro USB cable (included) into the Micro USB Port, for better reception. This cable serves as an antenna and enhances FM reception from FM Stations near you.

1. Turn on the speaker, and press mode button for 2~3 second, it will go to FM radio function.
2. Short press the mode button for searching and recording preset radio station within frequency range 87.5~108MHz.
3. Short press the ►►| or ◀◀| button for listening next or previous preset radio station.
4. Long press the ►►| or ◀◀| button to increase the volume or decrease the volume.

Tips!!

1. Press the "MODE" button to switch different functions of the speaker. The functions are -- Bluetooth / USB-Micro SD (TF) / FM / AUX-In.
2. When the unit is not in use, turn OFF the device to save the battery power.
3. Do not overcharge the unit; every charge should not exceed 6 hours.

Do's and Don'ts

Do not play music at excessive levels as damage to hearing and/or equipment may result.
Do not use in wet or in damp surroundings.

Specification

Bluetooth version : 2.1 + EDR
Subwoofer Size : 3"
Speaker Output : 2 x 3Watts + 1 x 5Watts Sub-Woofer
Play time : Up to 1 hours (max. volume), and 3 hours (moderate volume)
Charge Voltage : DCSV (USB)
Bluetooth Range : 26-33 feet
Built-In Rechargeable Battery : 3.7V / 1200mAh
(Note: Battery life & charging time may vary based on usage & types of devices used.)

Troubleshooting

Problem	Possible Cause	Solution
Low sound level	Source (Tablet, Mobile Phone, Laptop, etc.) volume too low. Battery dead	Adjust source volume. Charge Battery.
Sound distorted	Battery nearly dead	Charge Battery.

5

No sound at all.	Source (Tablet, Mobile Phone, Laptop,) turned off. Speaker turned off. Volume turned down source. Media paused on source.	Turn the source on. Turn the speaker on. Adjust volume source. Play media from source.
-------------------------	--	---

Care and Maintenance

Clean the unit with a soft, damp cloth. Never use chemicals or hard abrasives.
Keep this unit away from wet or damp surroundings.

FCC Instructions

Changes or modifications not expressly approved by the party responsible for compliance could void the user's authority to operate the product.

NOTE: This product has been tested and found to comply with the limits for a Class B digital device, pursuant to Part 15 of the FCC Rules. These limits are designed to provide reasonable protection against harmful interference in a residential installation. This product generates, uses and can radiate radio frequency energy and, if not installed and used in accordance with the instructions, may cause harmful interference to radio communications. However, there is no guarantee that interference will not occur in a particular installation. If the product does cause harmful interference to radio or television reception, which can be determined by turning the equipment off and on, the user is encouraged to try to correct the interference by one or more of the following measures :
- Reorient or relocate the receiving antenna.
- Increase the separation between the product and receiver.
- Connect the product into an outlet on a circuit different from that to which the receiver is connected.
- Consult the dealer or an experienced radio/TV technician for help.

The device complies with Part 15 of the FCC Rules. Operation is subject to the following two conditions: (1) this device may not cause harmful interference, and (2) this device must accept any interference received, including interference that may cause undesired operation.

LIMITED WARRANTY

This manufacturer's product warranty extends to the original consumer purchaser of the product. Neither the retailer nor any other company involved in the sale or promotion of this product is a co-warrantor of this manufacturer warranty.

WARRANTY DURATION: All materials and workmanship are warranted to the original consumer purchaser for a period of ninety (90) days from the original purchase date.

WARRANTY COVERAGE: This product is warranted against defective materials or workmanship. This warranty is void if the product has been damaged by accident, in shipment, unreasonable use, misuse, neglect, improper service, commercial use, repairs by unauthorized personnel or other causes not arising out of defects in materials or workmanship. This warranty doesn't cover the following which may be supplied with this product, including but not limited to; LCD Screens, glass parts, lenses, bulbs etc. This warranty is effective only if the product is purchased and operated in USA and Canada, and

6

does not extend to any units which have been used in violation of written instructions furnished by manufacturer or to units which have been altered or modified or, to damaged products or parts thereof which have had the serial number removed, altered, defaced or rendered illegible

WARRANTY DISCLAIMERS: This warranty is in lieu of all warranties expressed or implied and no representative or person is authorized to assume for manufacturer any other liability in connection with the sale of our products. There shall be no claims for defects or failure under any theory of tort, contractor commercial law including but not limited to, negligence, gross negligence, strict liability, breach of warranty and breach of contract. Under no circumstances will Manufacturer's / Distributor's maximum liability exceed the retail value of the product.

WARRANTY PERFORMANCE: During the above 90 day warranty period, a product with a defect will be either repaired or replaced with a reconditioned comparable model (at manufacturer's option). The repaired or replacement product will be in warranty for the balance of the 90 day warranty period and an additional one-month period. No charge will be applicable for such repair or replacement.

SERVICE AND REPAIR: If service is required for this product, you should first contact Midwest Trading Group Customer Service at info@mtradinggroup.com or by calling 1 (866) 815-4714, Monday to Friday 10am to 6pm EST.

NOTE: Manufacturer cannot assume responsibility for loss or damage during incoming shipment. As a precautionary measure, carefully package the product for shipment, and insure it with the carrier. Be sure to enclose the following details with the product: your full name, return address and daytime phone number, a note describing the problem you experienced, a copy of your sales receipt or other proof of purchase to determine warranty status. C.O.D. shipments cannot be accepted.

7

8