



Bluetooth Speaker

FDJAMBAR

INSTRUCTION MANUAL

PLEASE READ ALL INSTRUCTIONS CAREFULLY
& RETAIN FOR FUTURE USE

Getting Started

Remove the unit from the box.
Remove any packaging from the product.
Please retain all packaging until you have checked and counted all the parts and the contents against the parts list.

Package Contents

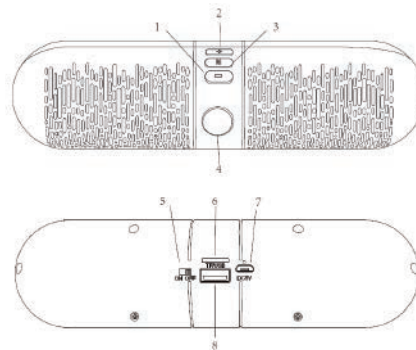
JAMBAR Speaker
USB Charging & 3.5mm auxiliary 2 in 1 cable
Instruction manual

IMPORTANT SAFETY INFORMATION

1. Read all instructions before using this product.
2. Do not leave this product unattended while connected to the power supply.
3. Do not immerse in water or any other liquids.
4. Do not use if unit has been dropped or damaged in any way.
5. Repairs to electrical equipment should only be performed by qualified personnel. Improper repairs may place user at serious risk.
6. Place unit on sound, even surface, free of vibrations and away from sources of heat.
7. Do not use with wet hands.
8. Do not put objects into openings.
9. Keep free of dust, lint, hair etc.
10. Do not use this unit for anything other than its intended use.
11. Keep this product out of reach of children.
12. This product is not a toy.
13. Do not play music at excessive levels especially near children, as damage to hearing may occur.

2

DESCRIPTION OF PARTS



1	Skip Backward / Decrease Volume	6	TF Card Slot
2	Skip Forward / Increase Volume	7	USB Charging Port
3	Mode Button	8	USB Slot
4	Play & Pause		
5	ON/OFF Switch		

3

INSTRUCTIONS FOR USE

Charging the speaker

For best results, fully charge the speaker before use.

1. Connect the USB cord (included) to the charging port of the speaker and insert the other end into a port on your computer or similar suitable power source.
2. The Red LED turns on, indicating that the battery is being charged. Once it is fully charged, the Red LED will turn off. It takes about 2-3 hours to charge the speaker fully.

Turn On/Off the Speaker

1. To Turn "ON", slide the "ON/OFF" switch to the ON Position.
2. To Turn "OFF", slide the "ON/OFF" switch to the OFF Position.

Pairing your device with Bluetooth Speaker –

Your Bluetooth Speaker can wirelessly stream audio from any Bluetooth enabled device within 27-33 Feet. Simply follow the below steps.

1. Turn ON the speaker.
2. You would hear the indication tone and LED Flashing Lights are on. The speaker is now in pairing mode.
3. Turn on the Bluetooth on your Mobile Phone or Tablet or Computer.
4. It will search for various devices.
5. The pairing name of our Bluetooth Speaker is "JAMBAR", pair it with this device.
6. If required, enter the password '0000' to confirm to finalize pairing.
7. Once paired successfully, you would hear an indication tone.
8. If you fail to pair it within the time frame or you want to pair it with a new device please follows the steps outlined above.

Select your favorite song at the Bluetooth device and music would now stream through Bluetooth speaker.
(Note: Speaker will automatically pair with previously paired devices)

4

Talking using the Bluetooth Speaker

Please ensure that your cell phone is paired with the Bluetooth Speaker to use the below functions.

Function	Operation	Button
Answer Incoming Call	Incoming Call	Press the iHip button(4) once to answer an incoming call.
End Call	Incoming Call	After your phone conversation, short press the iHip button(4)
Volume Increase	During a call	Long press on the + button will increase the volume
Volume Decrease	During a call	Long press on the - button will decrease the volume
Redial last number	Standby mode and connected to a device	Short press the iHip button(4) twice

Listening to Music Wirelessly

Please ensure that your device (iPhone, Tablet or Other Smart Phone) is paired with the Bluetooth Speaker to stream music wirelessly. Once it is paired, play music from your device.

Function	Operation	Button
Increase Volume	Playing music	A long press on the + button(2) once will increase the volume
Decrease Volume	Playing music	A long press on the - button(1) once will decrease the volume
Pause	Playing music	Short press iHip button(4) once to pause the music
Play	Pause	Short press iHip button(4) once resume the music

5

Previous track	Playing music	Short press the - button(1) to the previous track
Next track	Playing music	Short press the + button(2) to the next track

Listening to Music using USB / TF Card Slot

1. Turn on the speaker.
2. Insert TF card or USB flash drive into the TF Card Slot or USB Slot. Music would be automatically streamed.
3. Short press + or - button to move forward or backward on your playlist.
4. Short press **iHip** button to Play or Pause a track.

Note: While using Bluetooth, if you insert TF Card or USB Flash drive, speaker would disconnect the Bluetooth connection and switch to TF card or USB card function. You can short press Mode button each time until it goes back Bluetooth mode.
TF Card/USB Flash Drive not included.

FM Radio

1. Turn ON the Speaker.
2. Insert the auxiliary cord (included) into the auxiliary port. Leave the other end of the cord open. Auxiliary cord serves as FM Antenna while in FM Radio mode.
3. Short press Mode button each time until FM mode is selected.
4. Short press **iHip** button (4) and the device would automatically search and store all the FM Radio stations.
5. Short press + or - button to change the FM Radio stations.

1. When the unit is not in use, turn OFF the device to save the battery power.

6

Do's and Don'ts

Do not play music at excessive levels as damage to hearing and/or equipment may result.
Do not use in wet or in damp surroundings.

Specification

Bluetooth version	: 2.1
Speaker Output	: 2 x 3W
Frequency response	: 150-18KHz
Play time	: up to 2 hours
Charge Voltage	: DC5V (USB)
Bluetooth Range	: 27 - 33 Feet
Built-In Rechargeable Battery	: 3.7V / 400mA

(Note: Battery life & charging time may vary based on usage & types of devices used.)

Troubleshooting

Problem	Possible Cause	Solution
Low sound level	Source (Tablet, Mobile Phone, Laptop, etc.) volume too low. Battery dead	Adjust source volume. Charge Battery.
Sound distorted	Battery nearly dead	Charge Battery.

No sound at all.	Source (Tablet, Mobile Phone, Laptop,) turned off. Speaker turned off. Volume turned down source. Media paused on source.	Turn the source on. Turn the speaker on. Adjust volume source. Play media from source.
-------------------------	--	---

7

Care and Maintenance

Clean the unit with a soft, damp cloth. Never use chemicals or hard abrasives.
Keep this unit away from wet or damp surroundings.

The crossed out wheelie bin symbol on this item indicates that this product needs to be disposed of in an environmentally friendly way when it becomes of no further use or has worn out. Contact your local authorities for details of where to take the item for re-cycling.

FCC Instructions

Any Changes or modifications not expressly approved by the party responsible for compliance could void the user's authority to operate the equipment.

This device complies with part 15 of the FCC Rules. Operation is subject to the following two conditions: (1) This device may not cause harmful interference, and (2) this device must accept any interference received, including interference that may cause undesired operation.

This equipment complies with FCC radiation exposure limits set forth for an uncontrolled environment.

This transmitter must not be co-located or operating in conjunction with any other antenna or transmitter.

NOTE: This product has been tested and found to comply with the limits for a Class B digital device, pursuant to Part 15 of the FCC Rules. These limits are designed to provide reasonable protection against harmful interference in a residential installation. This product generates, uses and can radiate radio frequency energy and, if not installed and used in accordance with the instructions, may cause harmful interference to radio communications. However, there is no guarantee that interference will not occur in a particular installation. If the product does cause harmful interference to radio or television reception, which can be determined by turning the equipment off and on, the user is encouraged to try to correct the interference by one or more of the following measures:

- Reorient or relocate the receiving antenna.
- Increase the separation between the product and receiver.
- Connect the product into an outlet on a circuit different from that to which the receiver is connected.
- Consult the dealer or an experienced radio/TV technician for help.

8

9

10