

# SOUNDLOGIC™

## Bluetooth tower speaker



**INSTRUCTION MANUAL**  
Please read all instructions carefully and retain for future reference

1

### Getting Started

- Remove the unit from the box.
- Remove any packaging from the product.
- Please retain all packaging after you have checked and counted all the parts and the contents against the list.

### In the Box

- Tower speaker
- Remote control
- 3.5mm Aux cable
- User manual

### Features

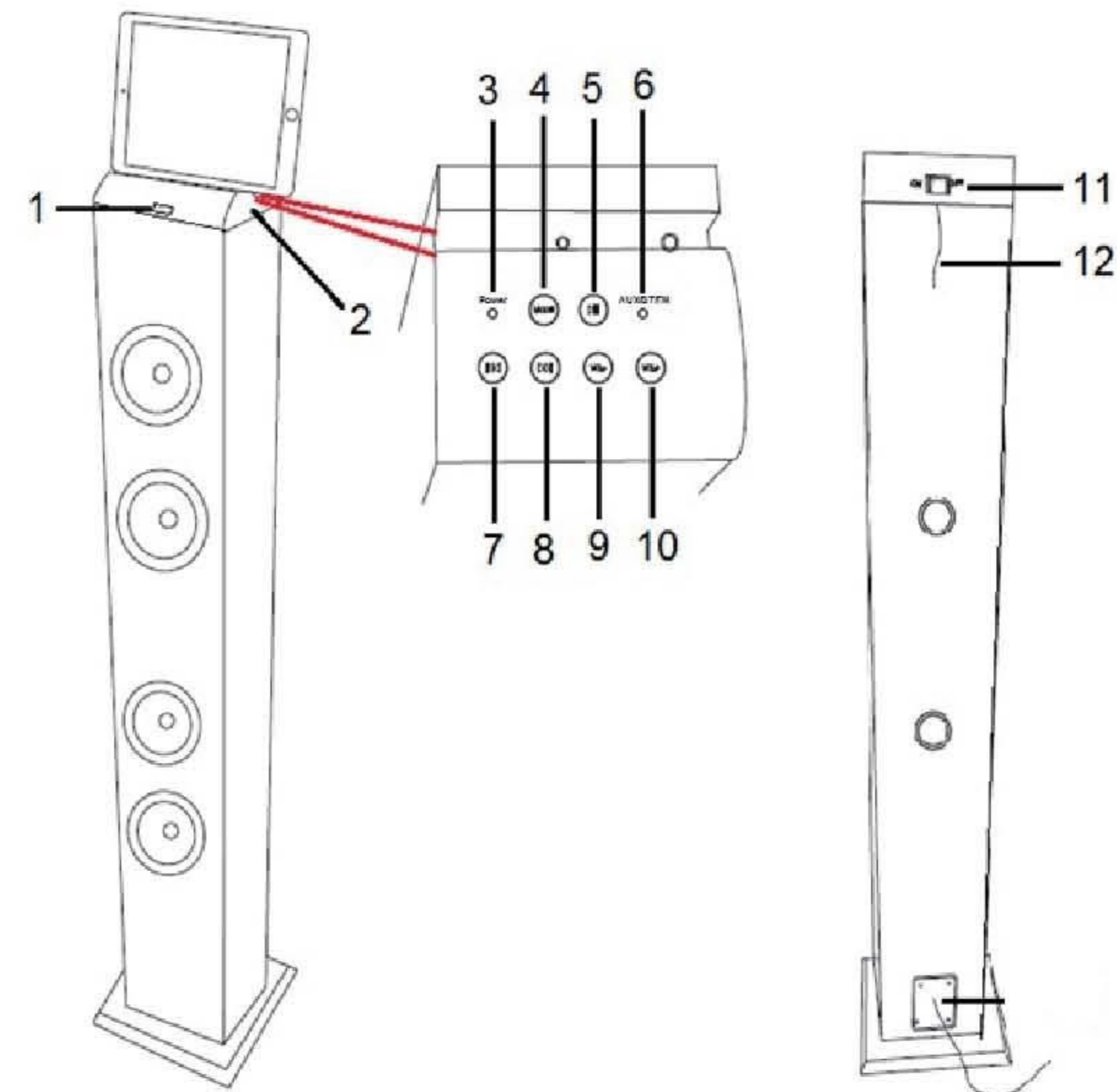
- 2 built-in stereo speakers and 2 dummy speakers
- Stream music from Bluetooth enabled devices
- Compatible with iPad, iPhone, iPod, Android, Windows and other phones and tablets
- Built-in cradle holds iPod Touch, iPhone, iPad, Android, Windows and other brand phones and tablets
- Built-in FM radio
- Aux cable included

### IMPORTANT SAFETY INSTRUCTIONS

- Read these instructions.
- Keep these instructions.
- Heed all warnings.
- Follow all instructions.
- Do not use this apparatus near water.
- Clean only with dry cloth.
- Do not block any ventilation openings. Install in accordance with the manufacturer's instructions.
- Do not install near any heat sources such as radiators, heat registers, stoves, or other apparatus (including amplifiers) that produce heat.
- Protect the power cord from being walked on or pinched particularly at plugs, convenience receptacles, and the point where they exit from the apparatus.
- Only use attachments/accessories specified by the manufacturer.
- Use only with the cart, stand, tripod, bracket, or table specified by the manufacturer, or sold with the apparatus. When a cart is used, use caution when moving the cart/apparatus combination to avoid injury from tip-over.
- Unplug this apparatus during lightning storms or when unused for long periods of time.
- Refer all servicing to qualified service personnel. Servicing is required when the apparatus has been damaged in any way, such as power-supply cord or plug is damaged, liquid has been spilled or objects have fallen into the apparatus, the apparatus has been exposed to rain or moisture, does not operate normally, or has been dropped.
- This equipment is not intended for use by persons (including children) with reduced physical, sensory or mental capabilities or lack of experience or knowledge. They should be given appropriate supervision and instructions to use the equipment by a person responsible for their safety.
- Do not leave the equipment unattended while connected to the power supply.
- Never leave the equipment within reach of children.
- Repairs to electrical appliances should only be performed by qualified personnel. Improper repairs may place the user and/or equipment at serious risk.
- This equipment is intended for household use only and should not be used for industrial or commercial purposes.
- Do not operate this appliance with a damaged plug or cord, after a malfunction or after being dropped or damaged in any way.
- Do not use this equipment for anything other than its intended use.
- This equipment must be placed on a stable, heat resistant surface.
- Do not push objects into any openings as damage to the equipment and/or electric shock may occur.

2

### Description of Parts (Main unit)



1. Remote Sensor	8. Next FM Station/Track
2. Aux in Port	9. VOL - Button
3. Power On Indicator	10. VOL + Button
4. Mode Button	11. Power On/Off Switch
5. Play/Pause/FM Scan Button	12. Antenna
6. AUX/BT/FM Function Indicator	
7. Previous FM Station/Track	

3

### General Operation

- Press **Power On/Off Switch** at the rear of the unit to ON position to turn on the unit with red LED light on.
- Press the **Mode** button repeatedly to select the playback source.
- Press the **VOL +/-** buttons to adjust volume level.
- Press the **Mute** button on the remote control to turn off the sound. Press it again to turn it off.
- If the unit is not used for a long period of time, turn off the unit and pull out the plug.

### Using Bluetooth

- Keep your Tower Speaker and Bluetooth enabled device within 3 feet of each other during the pairing process.
- Press **Power On/Off Switch** to turn on the unit.
- Press **Mode** button on the panel or remote control repeatedly until you hear an indication tone and the blue LED flashes.
- Turn on the Bluetooth on your Mobile Phone or Tablet or Computer.
- It will search for available Bluetooth devices.
- Bluetooth Tower Speaker would appear as "SL TOWER SPIKR" in the list of searched devices. Select it from the ED available list of devices.
- If required, enter the password '0000' to confirm pairing.
- Once paired successfully, you would hear indication tone and the blue LED will stay on.
- If you fail to pair it within a few seconds or you want to pair it with a new device, please repeat the steps outline above.
- Select your favorite song at the Bluetooth source device and music would now stream through the speaker.

### Play Music from Bluetooth devices.

- Make sure the Bluetooth connection between the unit and the device is active.
- Press **Play/Pause** button to suspend momentarily the playing track. Press Play/Pause button again to resume playing.
  - Press **Next/Track** button to skip forward to the next track or **Previous Track** button to skip backward to the prev track.

Note: The Bluetooth Tower Speaker will connect automatically with the last paired device when its Bluetooth function is on.

### Listen to the radio by auto search channel function

- Press the **Power ON/OFF Switch** to turn on the unit.
- Press **Mode** button on the panel or remote control repeatedly until you hear FM radio signal/station and the blue LED flashes.
- Press the **FM Scan** button on the panel or remote control, then the unit will start to search all available stations and store into the memory automatically.

### To enhance radio reception ability:

FM: Fully unwind the antenna wire and extend it.

### Using Aux-in source

- Press the **Power ON/OFF Switch** to turn on the unit.
- Plug one end of the included 3.5mm Aux cable to the Aux in port on the right side of the speaker, the blue LED will stay on.
- Plug the other end of the cable to your device (e.g. iPod / iPad / MP3 player).
- Use your device's controls for music playback.

Note: Once Aux cable is connected to the speaker in Bluetooth mode, music through the Bluetooth will be stopped. Media can be controlled only through source devices, while playing music in Auxiliary mode (except VOL +/- and/or Mute).

### Specification

Bluetooth version : 2.1+EDR  
Speaker driver unit : 3"x2 and 2 dummy

5

### Speaker output power

: 5Wx2  
FM frequency range : 87.5 - 108MHz  
Size : 38-1/4"(H) x 7-1/2"(W) x 7-1/2"(D)  
Weight : 6 lb 15 oz  
Power supply : DC5V adapter  
1.5A centre positive  
Bluetooth Range : 27 - 33 Feet

### Troubleshooting

Problem	Possible Cause	Solution
Low sound level	Source (Tablet, Mobile Phone, Laptop, etc.) volume too low.	Adjust source volume.
No sound at all.	Source (Tablet, Mobile Phone, and Laptop) turned off. Speaker turned off. Volume turned down source. Media paused on source.	Turn the source on. Turn the speaker on. Adjust volume source. Play media from source.
Cannot Pair	Bluetooth Disconnected	Turn OFF the Speaker, and then Turn ON the speaker after about 30 seconds. Keep your Bluetooth Speaker and Bluetooth enabled device within 3 feet of each other during the pairing process. After a successful pairing, the LED indicator light will become solid green in colour.

### Care and Maintenance

Clean the unit with a soft, damp cloth. Never use chemicals or hard abrasives. Keep this unit away from wet or damp surroundings.

### FCC Instructions

Changes or modifications not expressly approved by the party responsible for compliance could void the user's authority to operate the product.

NOTE: This product has been tested and found to comply with the limits for a Class B digital device, pursuant to Part 15 of the FCC Rules. These limits are designed to provide reasonable protection against harmful interference in a residential installation. This product generates, uses and can radiate radio frequency energy and, if not installed and used in accordance with the Instructions, may cause harmful interference to radio communications. However, there is no guarantee that interference will not occur in a particular installation. If the product does cause harmful interference to radio or television reception, which can be determined by turning the equipment off and on, the user is encouraged to try to correct the interference by one or more of the following measures:

- Reorient or relocate the receiving antenna.
- Increase the separation between the product and receiver.
- Connect the product into an outlet on a circuit different from that to which the receiver is connected.
- Consult the dealer or an experienced radio/TV technician for help.

Any Changes or modifications not expressly approved by the party responsible for compliance could void the user's authority to operate the equipment.

This device complies with part 15 of the FCC Rules. Operation is subject to the following two conditions: (1) This device may not cause harmful interference, and (2) this device must accept any interference received, including interference that may cause undesired operation.

This equipment complies with FCC radiation exposure limits set forth for an uncontrolled environment.

This transmitter must not be co-located or operating in conjunction with any other antenna or transmitter.

6

### Limited Warranty

This manufacturer's product warranty extends to the original consumer purchaser of the product. Neither the retailer nor any other company involved in the sale or promotion of this product is a co-warrantor of this manufacturer warranty.

**WARRANTY DURATION:** All materials and workmanship are warranted to the original consumer purchaser for a period of ninety (90) days from the original purchase date.

**WARRANTY COVERAGE:** This product is warranted against defective materials or workmanship. This warranty is void if the product has been damaged by accident, in shipment, unreasonable use, misuse, neglect, improper service, commercial use, repairs by unauthorized personnel or other causes not arising out of defects in materials

or workmanship. This warranty doesn't cover the following which may be supplied with this product, including but not limited to: LCD Screens, glass parts, lenses, bulbs etc. This warranty is effective only if the product is purchased and operated in USA and Canada, and does not extend to any units which have been used in violation of written instructions furnished by manufacturer or to units which have been altered or modified or, to damaged products or parts thereof which have had the serial number removed, altered, defaced or rendered illegible.

**WARRANTY DISCLAIMERS:** This warranty is in lieu of all warranties expressed or implied and no representative or person is authorized to assume for manufacturer any other liability in connection with the sale of our products. There shall be no claims for defects or failure under any theory of tort, contractor commercial law including but not limited to, negligence, gross negligence, strict liability, breach of warranty and breach of contract. Under no circumstances will Manufacturer's / Distributor's maximum liability exceed the retail value of the product.

**WARRANTY PERFORMANCE:** During the above 90 day warranty period, a product with a defect will be either repaired or replaced with a reconditioned comparable model (at manufacturer's option). The repaired or replacement product will be in warranty for the balance of the 90 day warranty period and an additional one-month period. No charge will be applicable for such repair or replacement.

**SERVICE AND REPAIR:** If service is required for this product, you should first contact Midwest Trading Group Customer Service at info@midtradinggroup.com or by calling 1 (866) 815-4714, Monday to Friday 10am to 6pm EST.

**NOTE:** Manufacturer cannot assume responsibility for loss or damage during incoming shipment. As a precautionary measure, carefully package the product for shipment, and insure it with the carrier. Be sure to enclose the following details with the product: your full name, return address and daytime phone number, a note describing the problem you experienced, a copy of your sales receipt or other proof of purchase to determine warranty status. C.O.D. shipments cannot be accepted.

7