

HOME

C125U/C127U 2.4G WIRELESS CAMERA KIT

Installation and Operating Manual

INTRODUCTION

The 2.4G Wireless Camera is designed to provide safety, security, convenience to your home and business. At home, it sees and hears baby's room, garage, or any other room from somewhere else in the house. In business, it monitors entry/exit ways, reception area, storage-rooms, warehouses from one central location. It is so user-friendly that you can complete the installation in a few minutes.

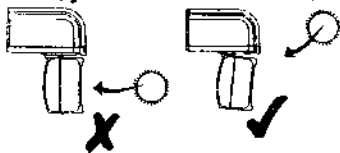
The components included in the 2.4G Wireless Camera Kit:

- 1 x Camera Unit build in 2.4G transmitter with pre-wired 2M power cord
- 1 x A/V Receiver Unit build in 2.4G receiver
- 1 x 7.5V 200mA AC adapter (for camera unit)
- 1 x 12V 500mA AC adapter (for Receiver unit)
- 3-feet SCART to RCA (European) or RCA to RCA (USA) cable
- Fixing and Owner's manual

CAUTION

- Do not attempt to open the sealed camera case; as this will destroy its weather resistance properties and void the system's warranty.
- Disconnect the system. Always disconnect the system from your mains power supply during installation.
- Keep a light source during nighttime. The camera cannot work in total darkness. Please bear in mind the camera's viewing area must be illuminated with a suitable light source.

- Avoid the camera pointing directly at a light source. When installing the camera outdoor, you should ensure that the camera lens will not become dusty easily, and the camera does not point directly at a light source (e.g. direct lighting, or sun light), as the picture quality will be impaired. Additionally, the camera must be positioned so that it will not point directly into the sun (sunrise or sunset) or any bright light, as this may cause damage to the camera. The best viewing angle is achieved at greater heights (e.g. 2.5 to 3m) with the camera pointing down. Also, avoid viewing areas where half the area is in bright sunlight and the other half is dark.



- Test before you mounting your camera permanently. It is recommended that before mounting your camera permanently, you temporarily connect your system to your television or monitor. You can then test your system and determine the best position for your camera.
- Do not over tighten the camera. Your camera is fully adjustable both horizontally and vertically via a ball and

socket joint, which is secured with a tension screw.

The tension screw can be locked into position using the Allen key supplied once your installation is complete. Do not over tighten as this may stop you from loosening the screw to make any slight adjustment in the future. Retain the Allen key for future use.

- Your camera has been designed to prevent condensation when installed outside or in damp conditions. For this to work correctly the camera should be left connected to the main power supply and switched on permanently.

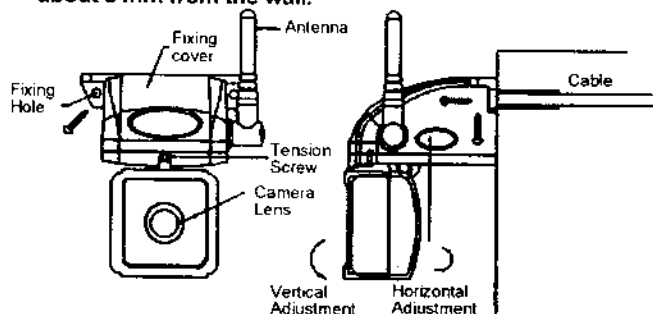
INSTALLATION

Step 1: Install the camera:

Having tested your camera and being familiar with the temporary test set, you can assess the best location for the camera. Ideally you will need one person to hold the camera and another person to look at your television when adjusting the position.

You can mount the camera on the wall or ceiling according to your need.

- Connect the 7.5VDC 200mA power adapter with the camera by plugging the power jack into the jack of pre-wired power cord from camera.
- Use the fixing template provided to mark the position of the two fixing holes (on the wall or on the ceiling.) Drill two 4mm-diameter holes at the marked locations, fully insert the plastic wall plugs supplied, then thread a supplied screw into each plug, letting the heads extend about 5 mm from the wall.



- Adjust the antenna to 90° horizontally. And take off the plastic cover on the right side of the camera bracket.
- Adjust the Channel Switch knob on the right side of the camera bracket to set up a channel (channel 1,2,3,4). And remember which channel you selected.
- Put the plastic cover back to the right side of the camera bracket.
- Plug power adapter into your main power supply. You'll see the red LED indicator is illuminated permanently while power is connected from the front end of Camera.

Step 2: Install the receiver

European Version	American Version
<p>Connect your Receiver unit directly to your TV via SCART to RCA cable package provided.</p> <ol style="list-style-type: none"> 1. Plug the Scart plug into your TV Scart socket. 2. Plug the other end, yellow (video), white (audio) into the corresponding RCA connectors on the receiver. And switch on your TV. 3. Connect the Receiver unit with the power adaptor, and then plug the power adaptor into your main power supply. You'll see the Power LED of the Receiver unit will be ON. 4. Adjust the antenna of the receiver to 90° horizontally. Also adjust Channel Switch at the channel you select on Camera. 5. To view the picture, simply select the AUXILIARY or AV channel on the TV. This may be identified as AV or AUX or EXT, but is sometimes designated by the symbol 	<p>Connect your Receiver unit directly to your TV via RCA to RCA cable package provided.</p> <ol style="list-style-type: none"> 1. Plug the yellow (video) and white (audio) RCA connectors into the corresponding colored RCA connectors (video and audio inputs) on the TV or monitor. 2. Plug the yellow (video) and white (audio) RCA connectors into the corresponding RCA connectors on the receiver. 3. Connect the Receiver with the power adaptor, and then plug the power adaptor into your main power supply. You'll see the Power LED of the Receiver unit will be ON. 4. Adjust the antenna of the receiver to 90° horizontally. Also adjust Channel Switch at the same channel you select for Camera. 5. To view the picture, simply switch the TV channel to the external audio/video channel, e.g. AV1, 2 or 3, depending on which channel you connect.

If in doubt, refer to your television instruction manual. Your television is now ready and you will watch whatever your camera sees and hears on your television screen.

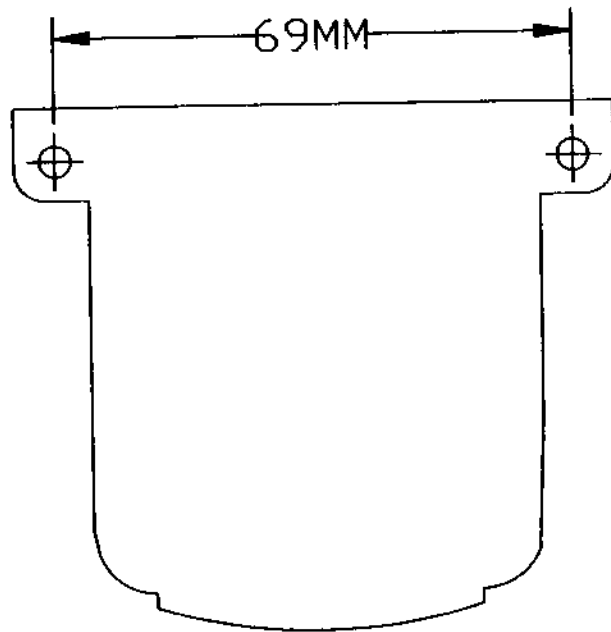
PLEASE NOTE: If you hear a loud howling noise it is because the camera is in the same room as the television, the camera's sensitive microphone will cause audio feedback. To avoid this, turn your television volume down or adjust the camera to a more appropriate angle/position.

SPECIFICATIONS

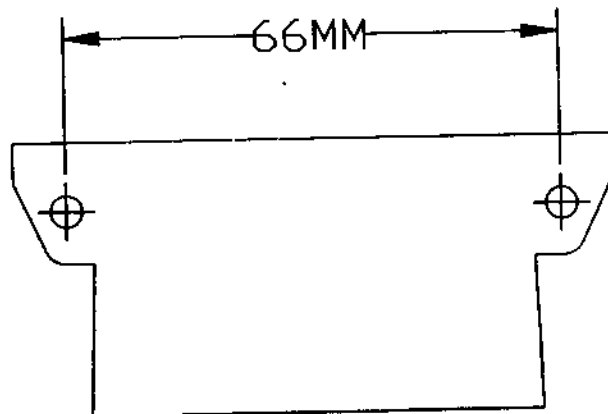
Model	CB127	CC125
Camera Type	Black & White	Colour
TV System	CCIR/EIA	PAL/NTSC
Resolution (TV lines)	240	320
Pixel Array (H x V)	CCIR: 352 x 288 CCIR EIA: 320 x 240 EIA	PAL: 628 x 582 NTSC: 510 x 492
Auto Exposure	Up to 1/6000 Sec.	Up to 1/15000 Sec.
Lens	f=3.6mm F=2.0	f=4.3mm F=2.0
Lens Angle	62°, Diagonal	78°, Diagonal
Sensitivity	0.5 Lux @F1.4	< 3 Lux @F1.2
S/N (Noise)	>46dB	>48dB
Camera Angle	Left & Right 87± 2° Up 2° Down 45°	
Microphone	Built-in	
2.4G Channel	2473MHz/2434MHz/2453MHz/2411MHz±100KHz	
Power Adaptor (American)	AC120V/DC7.5V, 200mA (without Regulator)	
Power Adaptor (European)	AC230V/DC7.5V, 200mA (without Regulator)	
Receiver	CA118	
Power Adapter Input	120V/60Hz(American) 230V/50Hz (European) 240V/50Hz(South African)	
Power Adapter Output	12VDC 500mA	
Video Output	1 Vpp±0.1V, 75Ω	

** Specifications are subject to change and improvement without notice. © 2002 Everspring Industry Co., All Rights Reserved

CE 06780 NL/DK/CH/S/B/L/D



Upward Fixed Drawing



Backward Fixed Drawing

CC125 Drill Hole Draw