



# C128W SOLAR CAMERA KIT

## Installation and Operating Manual

### Introduction

The Solar Camera is designed to economically provide safety, security, convenience to your home and business. Its solar panel collects daylight and maintains a charge to the battery of the camera during daylight hours. A negligible amount of energy is released by the rechargeable battery to operate the camera during nighttime.

The components included in the C128W Solar Camera Kit:

- 1 x Solar Camera with PIR and Solar Panel (Transmitter)
- 1 x Audio & Video Receiver
- 1 x Power Adapter for Receiver
- 1 x 3 Feet RCA/SCRT Cable
- 1 x 6V 1.2A Rechargeable Battery
- 1 x 9V Alkaline Battery
- 1 x Waterproof Rubber Plug
- 1 X Remote Control

### Caution

Pay attention to the following before you install:

1. Sufficient daylight: Solar panel requires constant charge during daylight hours. Please mount the camera at the location that can receive sufficient daylight exposure.

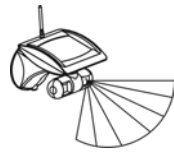


Figure 1

2. Detecting sensitivity: A passive infrared sensor operates by detecting the objective movement and heat. When the temperature of the moving object and its surrounding area are close in value, it may reduce PIR's sensitivity. The motion detector's infrared beams radiate outward like the slat of a wooden fence. Prior to mounting, keep in mind that the motion sensor is more sensitive to the motion that crosses these "slats", and less sensitive to the motion that moves directly towards the sensor (see Figure 1 and 2.)

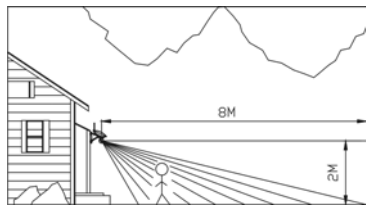


Figure 2

3. Keep a light source during nighttime: The camera cannot work in total darkness. Please bear in mind the camera's viewing area must be illuminated with a suitable light source during nighttime.

### Installation

**Step 1: Install the camera (refer to Figure 3)**

- a. Use the fixing template provided to mark the position of the four fixing holes. Drill four 5mm-diameter holes.
- b. Mount backplate by inserting two screws into fixing holes on the top edge of backplate. (All electronic components are housed within the backplate.)
- c. Adjust the "DWELL\_SW(SW3)" knob on backplate to set up transmission time (lock time) of images and voices. It can be set as 10,20,30 or 40 seconds.
- d. Adjust the "CH\_SW" knob on backplate to set up a channel. And remember which channel you selected.
- e. Plug the camera's 12 Pin plug (Cable) into socket on the backplate, then secure the camera set (front cover) to the backplate by inserting screws into two fixing holes on the bottom edge of front cover and backplate. And then insert the waterproof rubber plug into the hole at the bottom of front cover.
- f. The camera and PIR which under the main solar panel cabinet can be swiveled upward to 5°, downward to 45° (refer to Figure 4) and 90° horizontally (refer to Figure 5)
- g. Adjust the camera and PIR angle according to your need.

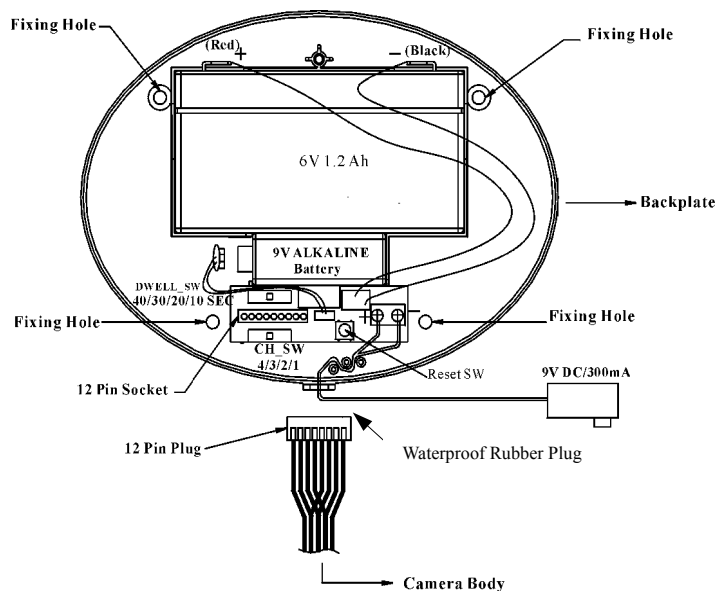


Figure 3

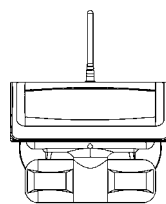


Figure 4

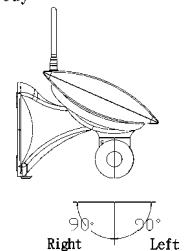
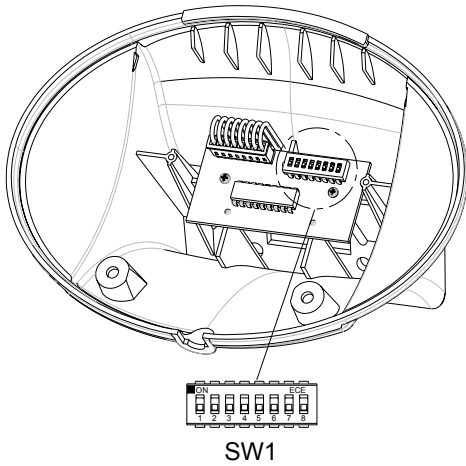


Figure 5

- h. In order for the Remote Control to operate with the Camera both devices must be configured with the same 'House Code'.

The House Code is configured by setting the 8 DIP switches, located on the PCB in the rear of the main camera body, to a random On/Off sequence. Use the tip of a ballpoint pen or a small screwdriver to move each switch in turn and ensure that each switch 'clicks' fully into position.

Note: it is recommended that the system House Code is always reset to a code other than the factory default.



**Step 2: Install Receiver Unit**

(Two versions available: European and American)

**European Version (refer to Figure 6):**

To connect receiver to your TV:

1. Plug the 1M Scart connector cable that package included into your TV.
2. Plug the other end, yellow (video), white (audio) and red (trigger) RCA connectors into the corresponding RCA connectors on the receiver.

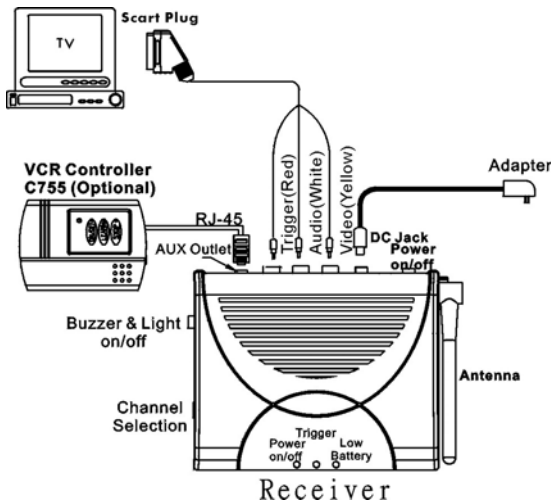


Figure 6 European Version

**American Version (refer to Figure 7):**

To connect receiver to your TV:

1. Plug the yellow (video) and white (audio) RCA connectors into TV socket.
2. Plug the yellow (video) and white (audio) RCA connectors into the corresponding RCA connectors on the receiver.

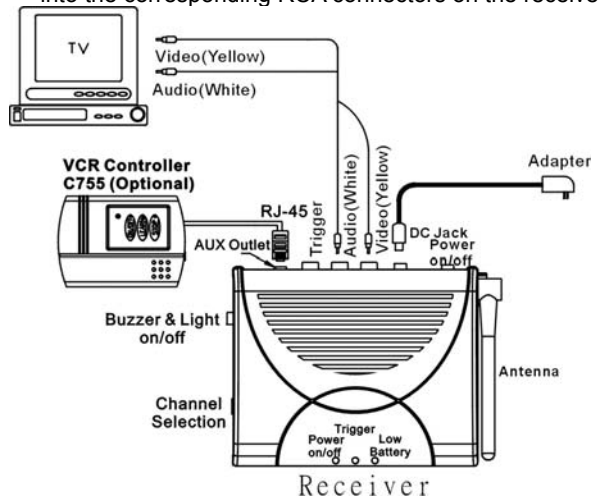
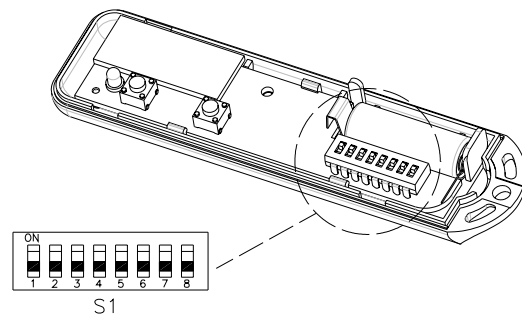


Figure 7 American Version

**Step 3: Install Remote Control**

1. Remove the battery cover fixing screw on the rear of the Remote Control and carefully remove the front cover.
2. Ensure that the House Code setting of the DIP switches in the Remote Control are set to the same On/Off sequence as set on the Camera.
3. Insert the battery taking care to observe the correct polarity.
4. Replace the front cover and refit the fixing screw. Do not over tighten the screw as this could damage the screw thread in the moulding.



**Operating Instruction:**

- (1) Buzzer/Light ON/OFF SW: Select "Buzzer/Light SW" at "ON". When PIR camera is triggered, image and voices will be transmitted. Upon receiving the signals, the receiver sounds "Beep" twice in response and the LED will flash for 1 minute.
- (2) Transmission time (lock time) of image and voices can be set as 10, 20, 30, or 40 seconds by carefully adjusting the "DWELL\_SW (SW3)" knob of Camera.
- (3) When lock time of trigger is over, the camera will continue

transferring image and voices if PIR sensor is still under triggered condition. Otherwise, the camera will send an "OFF" signal to the receiver and shut down images and voices.

- (4) When PIR of the camera is triggered, the camera will send 2.4GHz RF signal to the receiver. Thus, images and voices will be displayed on TV or monitors through the receiver.
- (5) When battery is low:
  - a. In the condition of camera on, Camera sends a signal to the receiver to lighten the "Battery" LED and sound two "beeps" for alert.
  - b. If battery is low during image transmitting, the image will stay on for 5 seconds only. Then there will be two beeps and the "Battery" LED will be on.
- (6) If the camera battery is recharged to normal level, the low Battery LED will be turned off when the camera is triggered again.

You can also additionally have a 9V DC 300mA regulator power AC adapter and wire it on S3 (refer to Figure 3) of backplate to recharge and to transmit images and voices continuously.

**Note:**

- (1) What you should do when the camera does not work properly:
  - a. Unscrew the camera (two screws on the edge of front cover)
  - b. Press "SW1" on Wall Mount to restore the system
  - c. Turn off the receiver, then turn it on.
  - d. Hang the camera on Wall Mount, and tighten 2 screws on the bottom of the camera.
- (2) When battery is low, video automatically reduces to 5 seconds to save battery.
- (3) Position the receiver and set up channel first while installing, then position the camera and set receiver in the same channel with the camera.
- (4) When the image on TV is not clear, it means that somebody may use the same channel as yours in your neighborhood. You can change both channels on the backplate of camera and the receiver. Remember to set the camera in the same channel as that of the receiver.

## SPECIFICATIONS

CC128		CA117	
Camera Type	CC128	Operating Frequency	2400-2483MHz (for 4 channels)
Picture Type	Color CMOS	Transmission Range	75m in open space
TV System	PAL/NTSC	Channel Selection Switch	4 positions for 1~4 selection
Sensitivity	3Lux@F1.2	Buzzer & Light Switch	3 positions for buzzer & light on / buzzer off/off
Lens Angle	78° Diagonal	Power Switch	2 positions for power on/ off
Lens	4.3mm F2.0	Triggered Buzzer & Light function	Build in
Camera Angle	Left & Right 90°± 5°, Down 45°	Antenna Type	Rod
Microphone	Build in	AC Adapter	12VDC, 500mA AC adapter
Transmitting Frequency	2400~2483MHz (for 4 channels)	Connector	1 x RJ-45 for VCR Controller 1 x DC Jack for Power 3 x RCA Jack for triggered(red), audio(white), video(yellow)
Battery	1 x 9V back up battery, 1x 6V rechargeable solar battery		
Dwell Time Switch	4 positions for 10s/20s/30s/40s		
Power Supply Source	Solar Panel (110*160mm)		
Channel Switch	4 positions for 1~4 selection		
PIR Detect ion Distance/Angle	8M/90° (under 28°C)		

© 2002 Everspring Industry Co., All Rights Reserved

CE 0678 D/NL/F/E/B/S/CH

### Federal Communication Commission Interference Statement

This equipment has been tested and found to comply with the limits for a Class B digital device, pursuant to Part 15 of the FCC Rules. These limits are designed to provide reasonable protection against harmful interference in a residential installation. This equipment generates, uses and can radiate radio frequency energy and, if not installed and used in accordance with the instructions, may cause harmful interference to radio communications. However, there is no guarantee that interference will not occur in a particular installation. If this equipment does cause harmful interference to radio or television reception, which can be determined by turning the equipment off and on, the user is encouraged to try to correct the interference by one of the following measures:

- Reorient or relocate the receiving antenna.
- Increase the separation between the equipment and receiver.
- Connect the equipment into an outlet on a circuit different from that to which the receiver is connected.
- Consult the dealer or an experienced radio/TV technician for help.

This device complies with Part 15 of the FCC Rules. Operation is subject to the following two conditions: (1) This device may not cause harmful interference, and (2) this device must accept any interference received, including interference that may cause undesired operation.

FCC Caution: Any changes or modifications not expressly approved by the party responsible for compliance could void the user's authority to operate this equipment.

