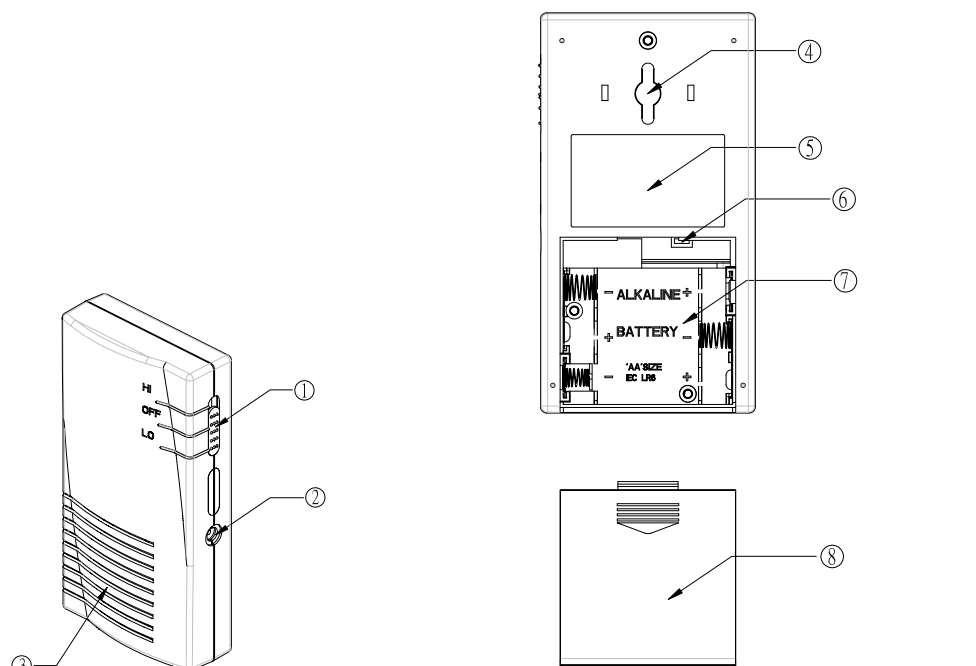


Simple Alarm System

Portable RF 2-tone Sounder



① 3-position slide switch Power/volume/mode selection	④ Hanging Slot	⑦ Battery Compartment
② Jack for AC adapter	⑤ Sticker	⑧ Battery Cover
③ Buzzer	⑥ Code Learning Button	

The Portable RF 2-tone Sounder, a 2-in-1 wireless receiver, is designed to work with the Magnetic Contact Detector (SM101), Wireless PIR Detector (SP101) and Chime Remote Button (SR101), serving as an audible chime or alarm.

Before selecting a position for the Sounder the following points should be noted:

1. Do not fix the Sounder to metalwork or locate the unit within 1m of metalwork (i.e. radiator, water pipes etc) as this could affect the radio range of the unit.
2. Do not locate the Sounder directly above a heat source, (e.g. fire, radiator, boiler, etc)
3. Do not locate the Sounder where it is exposed to ventilators.

Loading the Battery

1. Open the battery cover. (FIGURE 1)
2. Insert 3 AA-size 1.5V batteries to the battery compartment, ensuring that correct polarity is put.
3. Refit the battery cover.

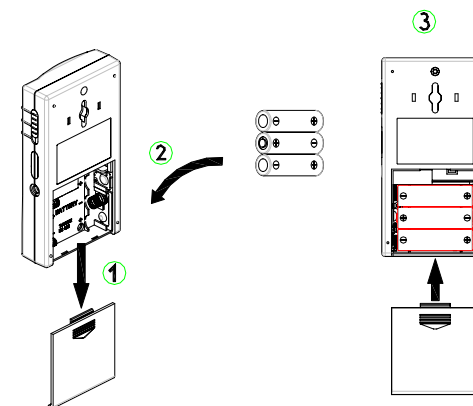


FIGURE 1

Setting

1. The Sounder is able to memorize 10 set of individual codes.
2. Code learning
 - Note:** For the best results, keep approx. 1 meter away from the transmitters when proceeding with the code learning. The minimum distance between the receiver and transmitter for code learning is 15 cm.
 - a. Setting the chime code
 - Step 1: Set the 3-position slide switch to "LO". (FIGURE 2a)
 - Step 2: Open the battery cover.
 - Step 3: Using a ball-point pen, press and hold the code learning button for more than 3 seconds. (FIGURE 2b & 2c)
 - Step 4: Keep holding the button. The Sounder will bleep per second. After a long bleep being heard, it will enter code learning mode.
 - Step 5: Upon entering the code learning mode, release the button. The Sounder is about to receive the code learning command within 30 seconds. During this 30 seconds period, the Sounder will react with a long bleep as a confirmation if the code learning is successful. Wait for at least 3 seconds to start operating.
 - Step 6: Upon entering the code learning mode, release the button. The Sounder is about to receive the code learning command within 30 seconds. During this 30 seconds period, the Sounder will emit four

bleeps consecutively as a warning if the code learning is failure.
Follow the below step for resolution.

Step 7: Starting from Step 1 to retry and refer to the troubleshooting's instruction for invalid code learning.

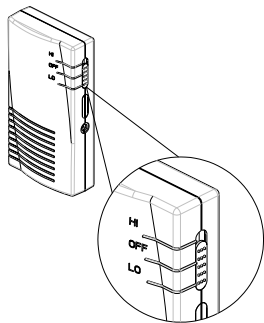


FIGURE 2a

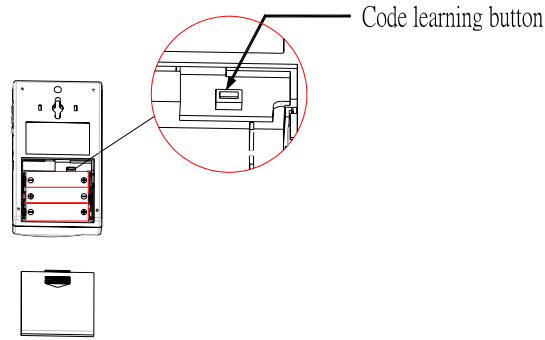


FIGURE 2b

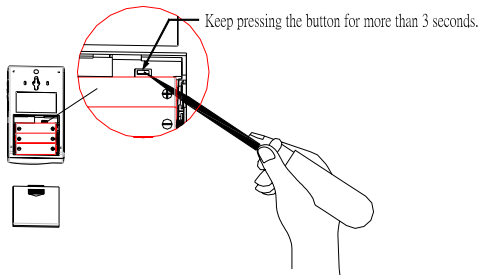


FIGURE 2c

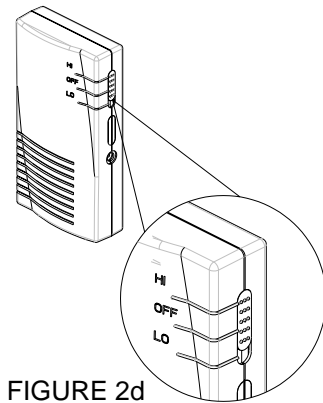


FIGURE 2d

b. Setting the alarm code:

- Step 1: Set the 3-position slide switch to "HI". (FIGURE 2d)
- Step 2: Open the battery cover.
- Step 3: Using a ball-point pen, press and hold the code learning button for more than 3 seconds. (FIGURE 2b & 2c)
- Step 4: Keep holding the button. The Sounder will bleep per second. After a long bleep being heard, it will enter code learning mode.
- Step 5: Upon entering the code learning mode, release the button. The Sounder is about to receive the code learning command within 30 seconds. During this 30 seconds period, the Sounder will react with a long bleep as a confirmation if the code learning is successful.

Wait for at least 3 seconds to start operating.

Step 6: Upon entering the code learning mode, release the button. The Sounder is about to receive the code learning command within 30 seconds. During this 30 seconds period, the Sounder will emit four bleeps consecutively as a warning if the code learning is failure. Follow the below step for resolution.

Step 7: Starting from Step 1 to re-try and refer to the advice shown on the Troubleshooting's invalid code learning.

3. Cleaning the code

All the codes preset will be cleaned by taking the following steps.

- Step 1: Open the battery cover.
- Step 2: Using a ball-point pen, press the code learning button for more than 3 seconds. (FIGURE 2b & 2c)
- Step 3: Keep holding the button. The Sounder will bleep per second. After a long bleep being heard, it will enter the code learning mode.
- Step 4: Upon entering the code learning mode, release the button. Before receiving the code learning command, press and hold the button immediately again for more than 6 seconds. (FIGURE 3) The Sounder will bleep per second. After 6 bleeps being heard, all the preset memory will be eliminated.

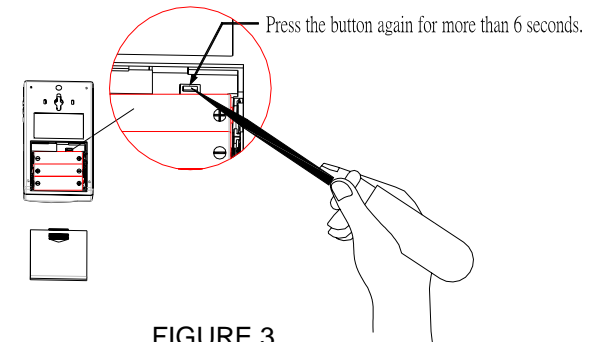


FIGURE 3

Installation

Upon completion of code learning procedure, fix the Sounder to the wall using the screws and plastic wall plugs supplied. Or it can be free standing, serving as a portable annunciator or intrusion alarm. (FIGURE 4)

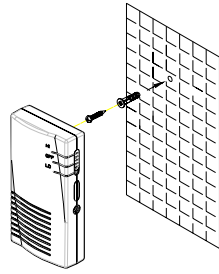
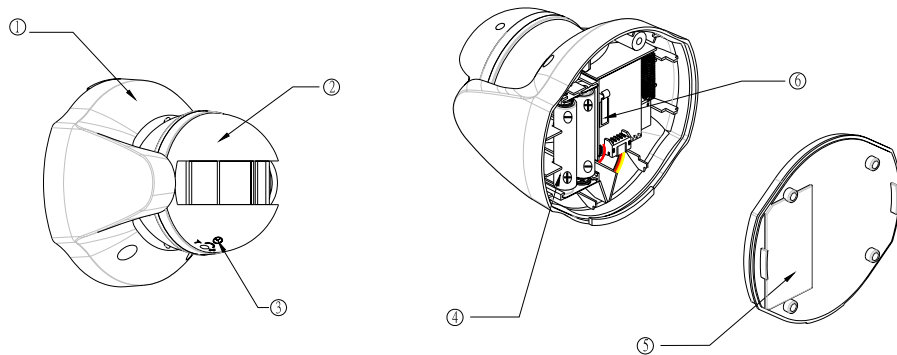


FIGURE 4

Wireless PIR Detector



① Top Cover	④ Battery
② PIR Motion Sensor	⑤ Back Cover
③ Time-off Knob	⑥ Tamper Switch

The PIR Detector is designed to detect movement in a protected area by detecting changes in infra-red radiation levels caused, for example, when a person moves within or across the devices field of vision. If movement is detected a radio signal will be emitted to the Sounder.

The recommended position for a PIR Detector is in the corner of a room mounted 2m from the floor. At this height, the detector will detect movement up to 8-12m depending on adjustment. (FIGURE 5a) Also, in this position, the 110 degrees fan-shaped detection pattern can normally offer greater protection than mounting on a flat wall. Before selecting a position for a PIR Detector the following points should be noted:

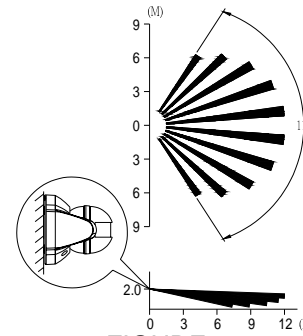


FIGURE 5a

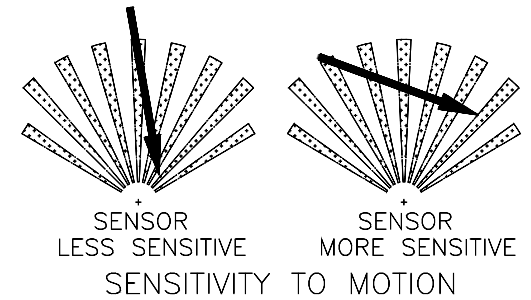


FIGURE 5b

1. Do not position the detector facing a window or direct sunlight. PIR Detectors are not suitable for use in conservatories or draughty areas.
2. Do not position the detector directly above or facing any source of heat, eg: fires, radiators, boiler etc.
3. Where possible, mount the detector so that the logical path of an intruder would cut across the fan pattern rather than directly towards the detector.(FIGURE 5b)
4. The PIR Detector can be used with Sounder, providing they are all coded with the same code.

Loading the battery

1. Using a Phillips screwdrivers to detach the back cover. (FIGURE 6a)
2. Insert 2 AAA-size 1.5V batteries to the battery compartment, ensuring that correct polarity is put. (FIGURE 6b)
3. Refit the back cover. (FIGURE 6c)

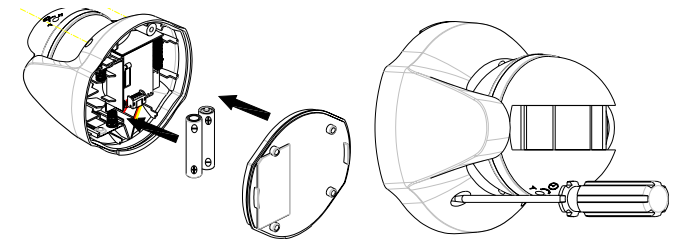


FIGURE 6a

FIGURE 6b

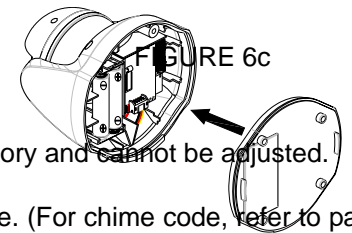


FIGURE 6c

Setting

1. There is an individual code that is fixed ex-factory and cannot be adjusted.
2. Code learning
Step 1: Set the Sounder to code learning mode. (For chime code, refer to page

- 1 Step1-4, for alarm code, see page 2 Step 1-4).
- Step 2: Insert the batteries to the PIR Detector.
- Step 3: Pressing the tamper switch will emit radio signal to the Sounder instantly. When emitting the individual code to the Sounder, the PIR Detector won't detect until the back cover is fitted after 6 seconds.
- Step 4: If the Sounder reacts with a long bleep, the code learning is successful. Wait for 6 seconds for the Detector to enter normal detection mode.
- Step 5: If the Sounder bleeps four times consecutively, the code learning is failure. Follow the below steps for resolution.
- Step 6: Starting from Step 1 to re-try and refer to the advice shown on the Troubleshooting's invalid code learning.

Operation

1. When removing the back cover, the tamper switch will be triggered. Trigger command of radio signal will emit every 3 seconds. With such recurrence for 3 times, It will enable the Sounder to alarm. (FIGURE 7)

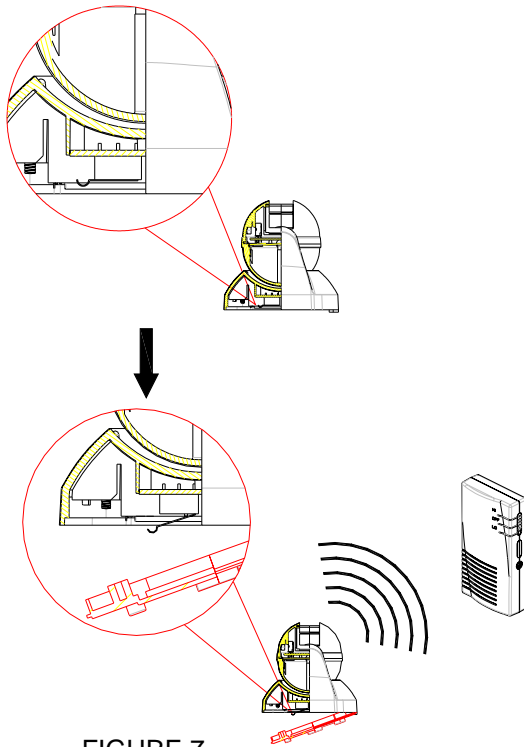


FIGURE 7

2. By refitting the back cover after 6 seconds, the PIR detector will enter normal detection mode.
3. The PIR Detector is designed to detect movement within a protected area. The detector element detects differences in the infra red radiation when a person moves within the protected area. If movement is detected, a radio signal is transmitted to the Sounder to activate the chime or alarm.
4. Time-off knob is designed to control the length of time that the appliances should be turned off. It is set from 5 seconds to 12 minutes. "T" means 5 seconds, while "+" is 12 minutes. (FIGURE 8)

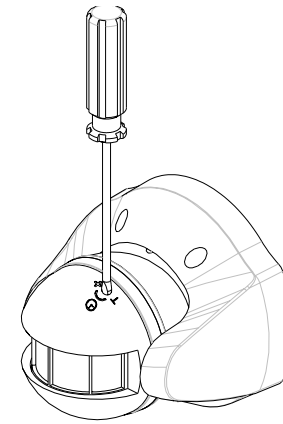


FIGURE 8

5. A LED is mounted inside of the PIR Detector. The indication of LED represents the following status:

	Status	LED indication
1	PIR Detector is emitting radio signal	Illuminating steadily
2	Low battery	Keep flashing slowly

Installation

As soon as the code learning procedure is completed, hold the back cover in position and mark the two mounting holes. Drill the holes, insert the plastic wall plugs and screw the back cover to the wall using the screws supplied. Offer the Detector up to the back cover using screws as originally supplied. (FIGURE 9)

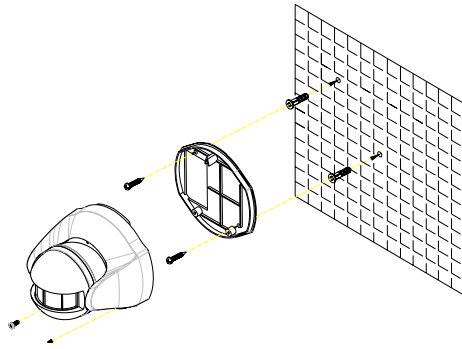
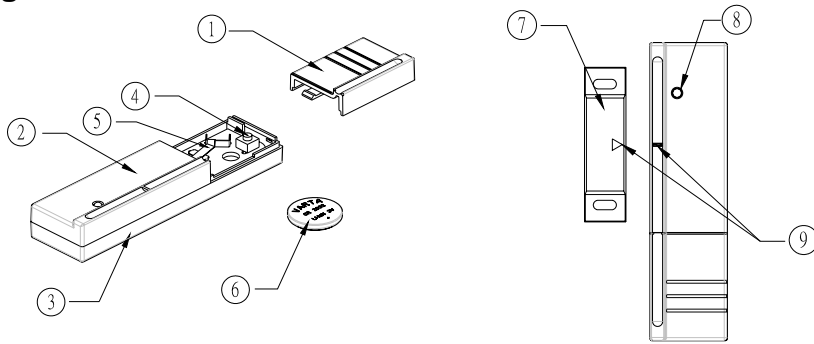


FIGURE 9

Magnetic Contact Detector



① Battery Cover	⑥ Battery
② Top Cover	⑦ Magnet
③ Back Cover	⑧ LED
④ Tamper Switch	⑨ Arrow
⑤ Battery clip	

Magnetic Contact Detectors can be fitted to protect doors or windows. If the protected doors or windows are opened, a radio signal will be transmitted to the Sounder for audible warning.

Before fixing the detector to a metal door/window check the radio range. It may be necessary to space the Magnet/Detector off the metal surface using a plastic or wooden spacer to achieve the necessary radio range.

Fix the Detector and Magnet to the opening using either the double sided tape or screws provided. Mount the Magnet to the door and the Detector to the door frame

(or vice versa, if necessary). Ensure that the arrows on the Magnet and Detector are pointing towards each other and that the gap between the Detector and the Magnet is less than 12mm. (FIGURE 10)

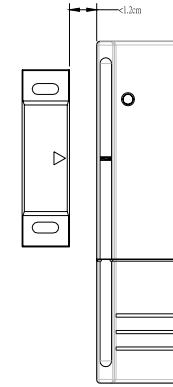


FIGURE 10

Loading the battery

1. Remove the battery cover by sliding off. (FIGURE 11a)
2. Fit the 3V Lithium battery supplied, with the positive (+) facing upwardly. (FIGURE 11b)
3. Refit the battery cover. (FIGURE 11c)

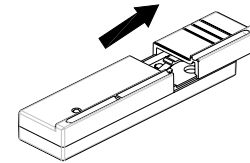


FIGURE 11a

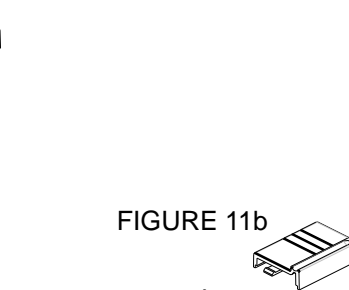


FIGURE 11b

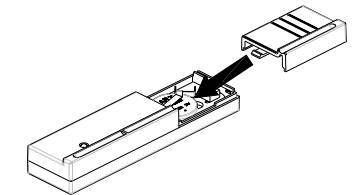


FIGURE 11c

Setting

1. There is an individual code that is fixed ex-factory and cannot be adjusted.
2. Code learning
 - Step 1: Fit the battery.
 - Step 2: Set the Sounder to the code learning mode.
 - Step 3: Press the tamper switch on the Detector.
 - Step 4: If the Sounder has a long bleep, the code learning is successful and can start operating. If not, it implies that the code learning is failure. Please

go ahead with the below step.

Step 5: Starting from Step 2 to re-try and refer to the advice shown on the Troubleshooting's invalid code learning.

Operation

1. When pressing the tamper switch, the Detector will transmit a radio signal to the Sounder as code learning command.
2. Upon opening the battery cover, the tamper switch will be triggered. A radio signal will be also emitted to the Sounder for alarming.
3. Separating the magnet from the Detector, a radio signal will be emitted to the Sounder for chime alerting or alarming.
4. The indication of LED represents the following status:

	Status	LED indication
1	Magnetic Contact Detector is emitting radio signal	Illuminating steadily
2	Low battery	Keep flashing slowly

Installation

1. Choose a position to drill a hole, insert the plastic wall plug and fix a screw on the wall. Hang up the Detector on the screw. (FIGURE 12a)
2. Knock out the groove adjacent to the battery compartment and insert the screw to fix the Detector on the wall. (FIGURE 12b)

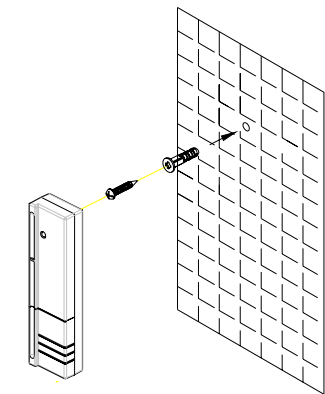


FIGURE 12a

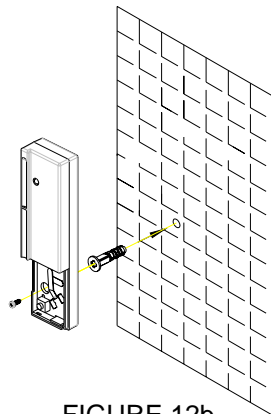
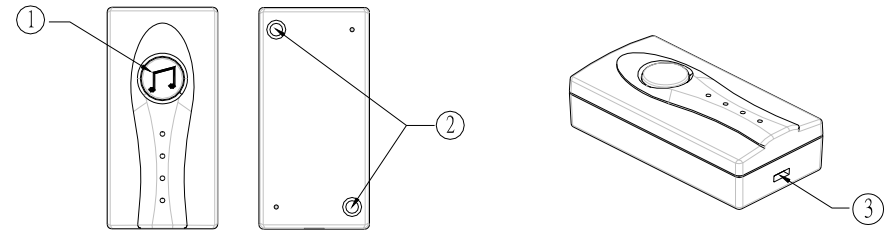


FIGURE 12b

Chime Remote Button



- | |
|--------------------|
| ① Button |
| ② Fixing hole |
| ③ Top Cover Groove |

The Chime Remote Button is a wireless transmitter. Pressing its button will initiate the Sounder for audible warning.

Loading the battery

1. Using a Phillips screwdriver from the top cover groove to detach the top cover. (FIGURE 13a)
2. Fit a 3V Lithium battery to the battery compartment with positive (+) polarity facing upwardly. (FIGURE 13b)
3. Refit the top cover. (FIGURE 13c)

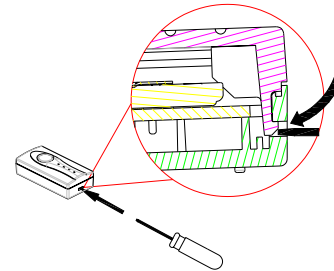


FIGURE 13a

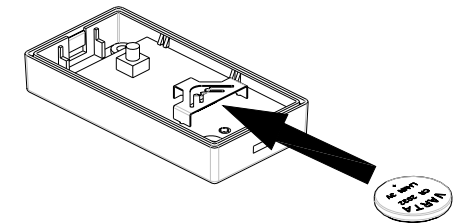
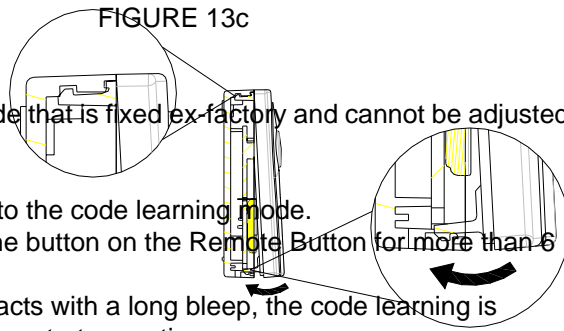
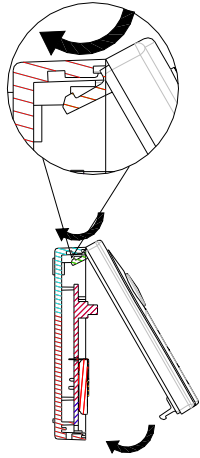


FIGURE 13b



Setting

1. There is an individual code that is fixed ex-factory and cannot be adjusted.
2. Code learning
 - Step 1: Insert the battery.
 - Step 2: Set the Sounder to the code learning mode.
 - Step 3: Press and hold the button on the Remote Button for more than 6 seconds.
 - Step 4: If the Sounder reacts with a long bleep, the code learning is successful and can start operating.
 - Step 5: If the Sounder reacts with four bleeps consecutively, the code learning is failure. Follow the below step for resolution.
 - Step 6: Starting from Step 2 to retry and refer to the troubleshooting's instruction for invalid code learning.

Operation

1. The Remote Button is a pocket-sized, easy-to-carry transmitter.
2. Press and release the button on the Remote Button. The Sounder will acknowledge the signal by emitting either a chime alert or alarm sound.

Troubleshooting

Symptom	Possible Cause	Recommendation
Sounder invalid code learning	Power is off	Set 3-position slide switch to Hi or Lo
	Not loading the battery	Fit the battery
	Reverse battery polarity	Refit battery
	Run out of battery	Replace a new battery
	Incorrect code learning procedure	Follow the steps as described on the manual
	Beyond code learning capacity	Proceed "cleaning the code" and resume "code learning" procedure again
Sounder not responding to transmitters	Run out of battery	Replace a new battery
	Code has not been learned	Follow the code learning procedure
	Any obstacle or metallic object is blocked	Remove obstacle or change transmitters' mounting location
	Out of radio range	Change transmitters' mounting location
Sounder's volume become weak	Run out of battery	Replace a new battery
	Check if 3-position slide switch is set at Hi position	Set it at Hi position
PIR Detector not working	Run out of battery	Replace a new battery
	Check if mounting location of detector is proper	Adjust mounting location
	Radio interference	Remove interference source or change mounting location
Magnet not working	Check if the arrows on the magnet and detector are pointing toward each other and that the gap is less than 12mm	Adjust their position and gap

	Run out of battery	Replace a new battery
	Code has not been learned	Proceed "code learning" with the Sounder

Specifications

	Portable RF 2-tone Sounder	Wireless PIR Detector	Magnetic Contact Detector	Chime Remote Button
Battery	3 X 1.5V AA	2 x 1.5V AAA	1 x 3V CR2032	1 x 3V CR2032
Communication Range	70 meters min. (in an open space)			

Specifications subject to change without notice

INUA101EVSP0E1A



Federal Communication Commission Interference Statement

This equipment has been tested and found to comply with the limits for a Class B digital device, pursuant to Part 15 of the FCC Rules. These limits are designed to provide reasonable protection against harmful interference in a residential installation. This equipment generates, uses and can radiate radio frequency energy and, if not installed and used in accordance with the instructions, may cause harmful interference to radio communications. However, there is no guarantee that interference will not occur in a particular installation. If this equipment does cause harmful interference to radio or television reception, which can be determined by turning the equipment off and on, the user is encouraged to try to correct the interference by one of the following measures:

- Reorient or relocate the receiving antenna.
- Increase the separation between the equipment and receiver.
- Connect the equipment into an outlet on a circuit different from that to which the receiver is connected.
- Consult the dealer or an experienced radio/TV technician for help.

This device complies with Part 15 of the FCC Rules. Operation is subject to the following two conditions: (1) This device may not cause harmful interference, and (2) this device must accept any interference received, including interference that may cause undesired operation.

FCC Caution: Any changes or modifications not expressly approved by the party responsible for compliance could void the user's authority to operate this equipment.

IMPORTANT NOTE:

FCC Radiation Exposure Statement:

This equipment complies with FCC radiation exposure limits set forth for an uncontrolled environment. End users must follow the specific operating instructions for satisfying RF exposure compliance.

This transmitter must not be co-located or operating in conjunction with any other antenna or transmitter.