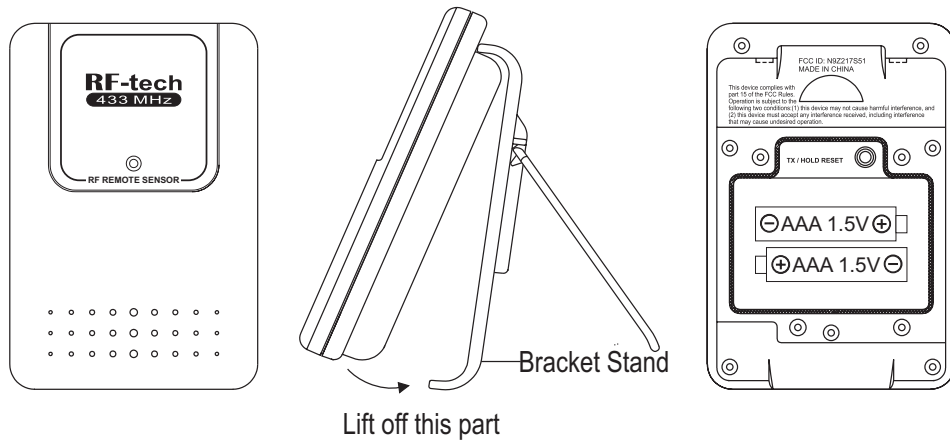


# RF 433Mhz Wireless Remote Sensor 217S51

## Remote Sensor:

Displays Outdoor Temperature



## Wireless Remote Sensor registration procedure

1. Place remote sensor near receiving unit.
2. Lift the click lock of the battery compartment and open the weatherproof battery cover.
3. Install 2 pcs of size AAA batteries according to polarity markings at the bottom of the battery compartment.
4. Once batteries are installed, push and hold the "RESET" button for 3 seconds to send registration signal to the receiving unit. The LCD of the receiving unit will show the current temperature.
5. Once registration is complete, check that the rubber seal is in the cover groove, then close the battery cover tightly.

## Precautions

- a. Do not clean the units with abrasive or corrosive compound. It may scratch the plastic parts and corrode the electronic circuits.
- b. Do not subject the units to excessive force shock, dust, temperature or humidity, which may result in malfunctioning, shorter electronic life span, damage battery and distorted parts.
- c. Do not tamper with these units' internal components. Doing so will invalidate the warranty on the unit and may cause unnecessary damage battery and distorted parts.
- d. Do not subject the units to excessive exposure to direct sunlight. Although remote has splash proof design. Never immerse it in water or expose it to heavy rain.
- e. Always read the users manual thoroughly before operating the unit.

## Specification

Recommended remote sensor operating range:

Sensor with LCD display	: -20°C to +50°C (-4°F to +122°F)
Transmission range	: Maximum 30 meters, open area
Batteries	: AAA size x 2 pcs. (remote sensor)
Battery life	: 6 months
Transmission frequency	: 433.92 MHz

"Modifications not authorized by the manufacturer may void users authority to operate this device"

**NOTE:** This equipment has been tested and found to comply with the limits for a Class B digital device, pursuant to part 15 of the FCC Rules. These limits are designed to provide reasonable protection against harmful interference in a residential installation. This equipment generates, uses and can radiate radio frequency energy and, if not installed and used in accordance with the instructions, may cause harmful interference to radio communications. However, there is no guarantee that interference will not occur in a particular installation. If this equipment does not cause harmful interference to radio television reception, which can be determined by turning the equipment off and on, the user is encouraged to try to correct the interference by one or more of the following measures;

- Reorient or relocate the receiving antenna.
- Increase the separation between the equipment and receiver.
- Connect the equipment into an outlet on a circuit different from that to which the receiver is connected.
- Consult the dealer or an experienced radio/TV technician for help.

## CAUTION

- The above content is subject to change without prior notice.
- The displays printed in this manual may be different from the actual display because of printing limitations.
- The manufacturer and its suppliers hold no responsibility to you or any other person for any damage expenses, lost profits, or any other claims arisen by using this product.