

BioLite FirePit

FPB1001.R1.JM

Instruction Manual

Manual de instrucciones

Mode d'emploi

Bedienungsanleitung

Handleiding

Manuale d'Istruzioni

사용 설명서

取扱説明書

Bruksanvisning

Bruksanvisning

Käyttöohje

使用手册

1. BEFORE FIRST USE: READ, UNDERSTAND, AND FOLLOW ALL instructions and warnings before operating FirePit. Failure to comply with the precautions and instructions provided with FirePit can result in property loss or damage, serious bodily injury, or death. For Outdoor Use Only.

This device complies with part 15 of the FCC Rules. Operation is subject to the following two conditions: (1) this device may not cause harmful interference, and (2) this device must accept any interference received, including interference that may cause undesired operation.

⚠ DANGER

DANGER: FirePit is for **OUTDOOR USE ONLY**. Never use in a home fireplace or hearth.
DANGER: CARBON MONOXIDE HAZARD. Never for use in tents, vehicles, indoors, or other enclosed spaces. Carbon Monoxide (CO) is produced when fuel burns. Carbon Monoxide inhalation can cause death or brain damage. **EXPLOSION – FIRE HAZARD.** This FirePit is intended to burn only wood and charcoal. NEVER add liquids, gels, plastics, or other accelerants into FirePit. This FirePit is hot during use and can ignite flammable materials too close to the flame. **BATTERY HAZARD.** The rechargeable battery inside the Power Pack may present a risk of fire, explosion, leakage or chemical burn if mishandled. To prevent hazards, keep power pack dry to preclude corrosion of the battery. Keep Power Pack and battery well away from other heat sources. **DO NOT** expose the battery to excessive physical shock, pressure, or vibration. **DO NOT** attempt to change the battery yourself. If the battery does not recharge, please contact BioLite for repair information. **DO NOT** place FirePit on wood or composite decks, grass or lawns or combustible surface. Metal surfaces on FirePit will be hot when operating and present a burn hazard. When refueling use heat resistant gloves and proceed with extreme caution. Keep flammable materials and vapors at least 10 meters from the FirePit. **DO NOT** use this outdoor fire pit near automobiles, trucks, vans or recreational vehicles. **DO NOT** attempt to move the FirePit while in operation.

⚠ WARNING

WARNING: Check with your fire district, local municipality or park ranger before using FirePit. When using FirePit, exercise the same care that you would with an open campfire. Keep out of reach of children and pets while in use. Never leave FirePit unattended when hot. **DO NOT** use the FirePit underneath branches or synthetic canopies. **DO NOT** use wood pellets in the FirePit. **DO NOT** burn manufactured logs with paraffin, driftwood, trash, leaves, paper, cardboard, plywood, painted or stained or pressure treated wood. **DO NOT** use in high or gusty winds. This outdoor fire pit is **NOT** to be used in or on boats or recreational vehicles.

Warning: Cancer & Reproductive Harm
www.P65Warnings.ca.gov

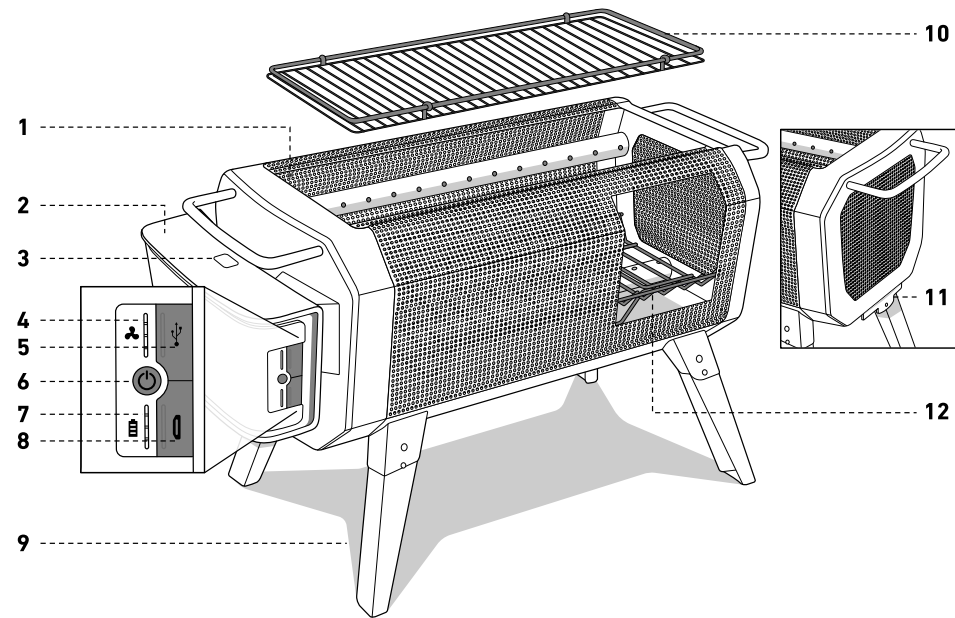
This device complies with Industry Canada Licence-exempt RSSs. Operation is subject to the following two conditions: (1) this device may not cause harmful interference and (2) this device must accept any interference, including interference that may cause undesired operation of the device.

Le présent appareil est conforme aux CNR d'Industrie Canada applicables aux appareils radio exempts de licence.

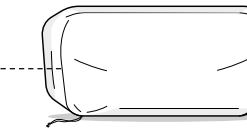
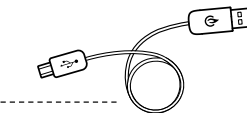
L'exploitation est autorisée aux deux conditions suivantes : (1) l'appareil ne doit pas produire de brouillage, et (2) l'utilisateur de l'appareil doit accepter tout brouillage radioélectrique subi, même si le brouillage est susceptible d'en compromettre le fonctionnement.

⚠ CAUTION

CAUTIONS: Do not expose FirePit to moisture – if accidentally left uncovered in wet conditions, dry immediately. NEVER pour water into FirePit. Always use on level ground. Use only sturdy fireplace tools when adding logs to the FirePit. Do not douse fire or coals with water. Avoid sappy or wet woods as these may cause excessive sparking. Always use included Fuel Rack when burning wood or charcoal. Clean FirePit frequently to avoid grease accumulation and possible grease fires. In the event of a grease fire, do not douse with water.



- 2. FIREPIT COMPONENTS:** 1. FirePit Burn Chamber. 2. Power Pack. 3. Power Pack Detach Button. 4. Fan Speed LED Indicator. 5. USB Charge-Out. 6. Power Button. 7. Battery Life LED Indicator. 8. Micro-USB Charge-In. 9. FirePit Folding Legs. 10. 304 SS Grill Rack. 11. Ash Door. 12. Fuel Rack. 13. Micro-USB Charging Cord. 14. Rain Cover.



3

3.1

3.2

4

4.1

4.2

4.3

	1X	2X	3X
	4X	5X	6X
			4 sec
			OFF

5

5.2

5.3

5.5

6

6.1

7

7.2

7.3

8

8.1

8.2

9

9.4 4 Sec

9.5

INSTRUCTIONS - ENGLISH (EN)

3. SETUP: 1. Assemble the handles onto the main body using the screws provided. The longer handle is assembled on the end with the Power Pack. The shorter handle goes on the opposite side. (See diagram). 2. The FirePit features an on-board 10400 mAh internal battery that comes partially charged so you may begin use immediately. 3. Check battery life available by pressing the power button once and the Battery Life LED indicator will illuminate. 4. To charge battery, plug included micro-USB cord into the USB-in port and connect to a power source. Battery Life LEDs will begin to flash upward in sequence until the entire bar is solid orange, indicating the battery is fully charged. Note: if you press power button more than once by accident and fan system turns on, press and hold for 4 seconds and airflow will shut off.

4. FIRESTARTING: 1. Note: "Fuel" refers to solid biomass, e.g. cord wood, sticks, charcoal etc. NEVER use liquid fuels in the FirePit. Dried twig shavings, birch bark, dry twigs, etc are ideal tinder and kindling. Dry dense wood such as oak, maple, birch will burn hottest and longest. The FirePit is designed to fit standard firewood measuring 16" in length. If cutting your own wood, do not exceed 16" or you may run the risk of packing beyond fuel chamber and creating smoke. Do not use wet or damp wood or leaves – these cause incomplete combustion and smoke. 2. Fully extend all legs to lock into place. 3. Insert included Fuel Rack into burn chamber. Place in lower position for wood fuel and upper position for charcoal fuel. 4. Attach Power Pack by aligning metal hooks to attachment points on side of FirePit Body. Press forward and Power Pack will click into place. 5. Place on level non-combustible ground (i.e. stone, gravel concrete, etc) away from any overhanging branches. Clear away dry brush on the ground around the FirePit. Reminder: Do not place FirePit on wood or composite decks, grass or lawns or any combustible surface. 6. FOR WOOD FUEL (See COOKING section for Charcoal). Place small, dry piece of fuel in on top of the Fuel Rack. 7. Light the fuel using a long match or lighter. Use of small pieces of solid firestarter is recommended but do NOT use lighter fluid. 8. After kindling is burning well, press the Power Button 2x to activate fan on Low setting (this will help begin oxygen flow). 9. Push the Power Button to activate the battery level indicator, USB charge output and Bluetooth signal (first time connections only). Push twice to access fan and control airflow. Each subsequent push will take you through four fan speeds: 1x: Power Supply Indicator ON, Bluetooth ON Charge Out Activated. 2x: Fan ON, Low. 3x: Fan ON, Medium. 4x: Fan ON, High. 5x: Fan ON, Max. 6x: Fan ON, back to Low Mode. Press and Hold 4 Seconds: System Shuts Off. 10. Note: During the first burn there may be a brief appearance of smoke due to post-production coatings on the FirePit. This is normal and will cease once the FirePit has burned for a short time.

5. FIRE OPERATION & REFUELING: 1. As fire catches and coals form, you may start to add larger and larger pieces of dry fuel. 2. You may push the Power Button to increase airflow and increase the intensity of your fire. The LEDs located above the power button will indicate current fan speed. Note: the highest setting will create strongest intensity of heat, but NOT the biggest flames. For a campfire feel with large, mellow flames, we recommend the Low or Medium fan setting. 3. At peak operation the FirePit can be loaded with wood up to the rim of the unit. DO NOT pack beyond the rim of the Burn Chamber. Overstuffing and packing beyond Fuel Chamber will result in incomplete combustion and may produce more smoke. 4. Refuel as needed by placing additional pieces of wood. Have heatproof utensil nearby for stoking to ensure fuel fits inside fuel chamber and airflow is present. 5. For supplemental spark protection, slide grill grate across top of with the hinged side entering first. 6. When refueling with Grill Grate present, use heatproof utensil to slide across FirePit away from Power Pack and insert additional fuel. Slide back with utensil. NEVER touch grill grate directly.

6. COOKING: 1. Place firestarters, kindling and/or balls of newspaper into the bottom of the chamber. Place the fuel rack in the upper position using the hooks within the chamber. 2. Fill the rack with desired amount of charcoal and using a long match or stick lighter, light the fire starter. 3. Once the charcoal has begun to ignite burn on the fan to low setting. 4. Once coals are ready place grill rack using tongs or heat resistant glove. FirePit is now ready for cooking. 5. The intensity of heat can be controlled by changing the fan speed from low to high. If additional charcoal needs to be added later, using tongs, slide the grill away from the powerpack, add charcoal, then slide back. 6. CAUTION: Metal Grill Grate, including food guard rails, will be extremely hot during use and may present burn hazard. Never touch directly. 7. CAUTION: Grill Grate is intended for direct food cooking only. Do not place heavy pots or pans on top of grill grate.

7. POWER PACK - CHARGE IN/OUT: 1. The Battery Life LED Indicator shows how much power is available in the internal battery. This battery provides power to both the airflow system and charge-out to other devices. Note: Any devices charging out from the power pack will decrease run time on the fan. 2. To charge devices such as mobile phones and LED lights, attach your device's cable to the USB Charge Out Port. **WARNING:** Keep devices away from flames and use caution when plugging in to avoid hot metal parts of FirePit. 3. **Detached Charging:** To utilize the Power Pack as a Powerbank when the FirePit is not in use, use detached button located top and remove from FirePit body. Press 1x to activate charge out. 4. **LOW POWER MODE:** When Battery Level LED indicator has one blinking LED, Power Pack will enter reserve mode: Fan speed will drop and Power Pack will stop charging out. To re-engage higher fan speeds or charge-out,

connect Power Pack to a power source via micro-USB to refill internal battery. 5. **OVERHEAT MODE:** Normal operation of the Power Pack's airflow keeps the unit cool and safe. However, if the PowerPack senses that it is too hot, the fan will be reduced to low speed and the fan LEDs will flash. 6. **COLD MODE:** In order to protect the life of the battery, if its temperature is below 0°C (32°F), charge in through the micro USB port will be stopped. Bring the Power Pack indoors and allow to warm up before charging. 7. **FREEZING MODE:** If the power pack senses that it is too cold, below -20°C (-4°F) it will not operate. On pressing the power button, the fan LEDs will flash for 5 seconds. Bring the Power Pack indoors and allow to warm up before operating.

8. BLUETOOTH OPERATION: 1. The FirePit comes with a free downloadable app available on iOS and Android that enables you to control the size of your flames and see real-time battery life feedback right from your phone. **Please visit your app store and follow the in-app directions for easy setup and use.** 2. Note: The FirePit does not require the app for use; the airflow system is manually operated via the Power Button located on the side of the Airflow Power Pack. 3. **First Time App Use:** To ensure your phone can find your FirePit, press the Power Button once to activate Bluetooth connectivity.

9. SHUTDOWN & CLEANUP: NEVER POUR WATER DIRECTLY INTO THE FUEL CHAMBER. NEVER TRY TO DUMP OUT LIVE FIRE – The FirePit can burn your fuel supply quickly, especially on the MAX setting; do not try to remove a burning fire. 1. Allow fire to burn down to cold ash – running the fan will help expedite this process. 2. If a few small live embers remain, carefully open ash door located at bottom of Burn Chamber using gloves or a heatproof utensil. Pour into a dugout hole, extinguish with water, and cover with dirt. Alternatively pour embers into a metal bucket and extinguish with enough water to completely cover all coals. **FULLY EXTINGUISH AND BURY ALL EMBERS – LIVE EMBERS CAN START FIRES!** 3. With embers completely burnt out, the metal body of the FirePit will cool down in approximately 5-10 minutes and be ready for storage. Note: never begin storage process if FirePit is still hot. 4. To manually turn the Power Pack off, press and hold the Power Button for four seconds. 5. After fully cooled, fold legs down and remove Power Pack using the Detach Button. Bring Power Pack inside for recharging for next use. Note: If you have BioLite Solar Carry Cover, you may leave Power Pack attached and cover FirePit with Solar Carry Cover, connecting Solar Panel to Power Pack via micro-usb.

10. MAINTENANCE & CARE: Note: Anytime you combine moisture, extreme heat variation, and metal in any situation, rust may present. The following are best practices in care to extend the longevity and appearance of your unit. 1. When not in use take FirePit into dry location for storage or cover with BioLite Solar Carry Cover or the provided waterproof cover. It is not recommended to leave FirePit exposed to rain or excessive moisture. 2. Remove Power Pack from FirePit body and wipe down with a damp cloth with soap and water. DO NOT submerge FirePit or Power Pack in water or allow to get excessively wet. 3. Clean out all ash from FirePit body. Wipe down with a damp paper towel, rag, or painters brush. Dry thoroughly. Store FirePit in a dry place. 4. Avoid storage in excessive heat. 5. Keep out of reach of children. 5. **BATTERY CARE:** To maintain the performance of your Airflow Power Pack, recharge to full via micro-USB at a minimum of once every six months. This will keep the battery conditioned for long-term use.

CAUTION: changes or Modifications not expressly approved by the party responsible could void the user's authority to operate this device.

NOTE: This equipment has been tested and found to comply with the limits for a Class B digital device, pursuant to Part 15 of the FCC Rules. These limits are designed to provide reasonable protection against harmful interference in a residential installation. This equipment generates, uses and can radiate radio frequency energy and, if not installed and used in accordance with the instructions, may cause harmful interference to radio communications. However, there is no guarantee that interference will not occur in a particular installation.

If this equipment does cause harmful interference to radio or television reception, which can be determined by turning the equipment off and on, the user is encouraged to try to correct the interference by one or more of the following measures:
 -- Reorient or relocate the receiving antenna.
 -- Increase the separation between the equipment and receiver.
 -- Connect the equipment into an outlet on a circuit different from that to which the receiver is connected.
 -- Consult the dealer or an experienced radio/TV technician for help.