

# **LAZER Z<sup>®</sup> MODELS ADVANTAGE SERIES MODELS**

**For Serial Nos.  
850,000 & Higher  
Lazer Z (LZA Units)**  
Part No. 4500-567 Rev. D

# **Parts Manual**

**EXMARK PARTS PLUS**

***PARTS***

**OVERNIGHT**  
**OR *FREE*\***

If your Exmark dealer does not have the Exmark part in stock, Exmark will get the parts to the dealer the next business day or the part will be FREE Guaranteed!! (Some restrictions apply. See your participating Exmark Dealer for details.)

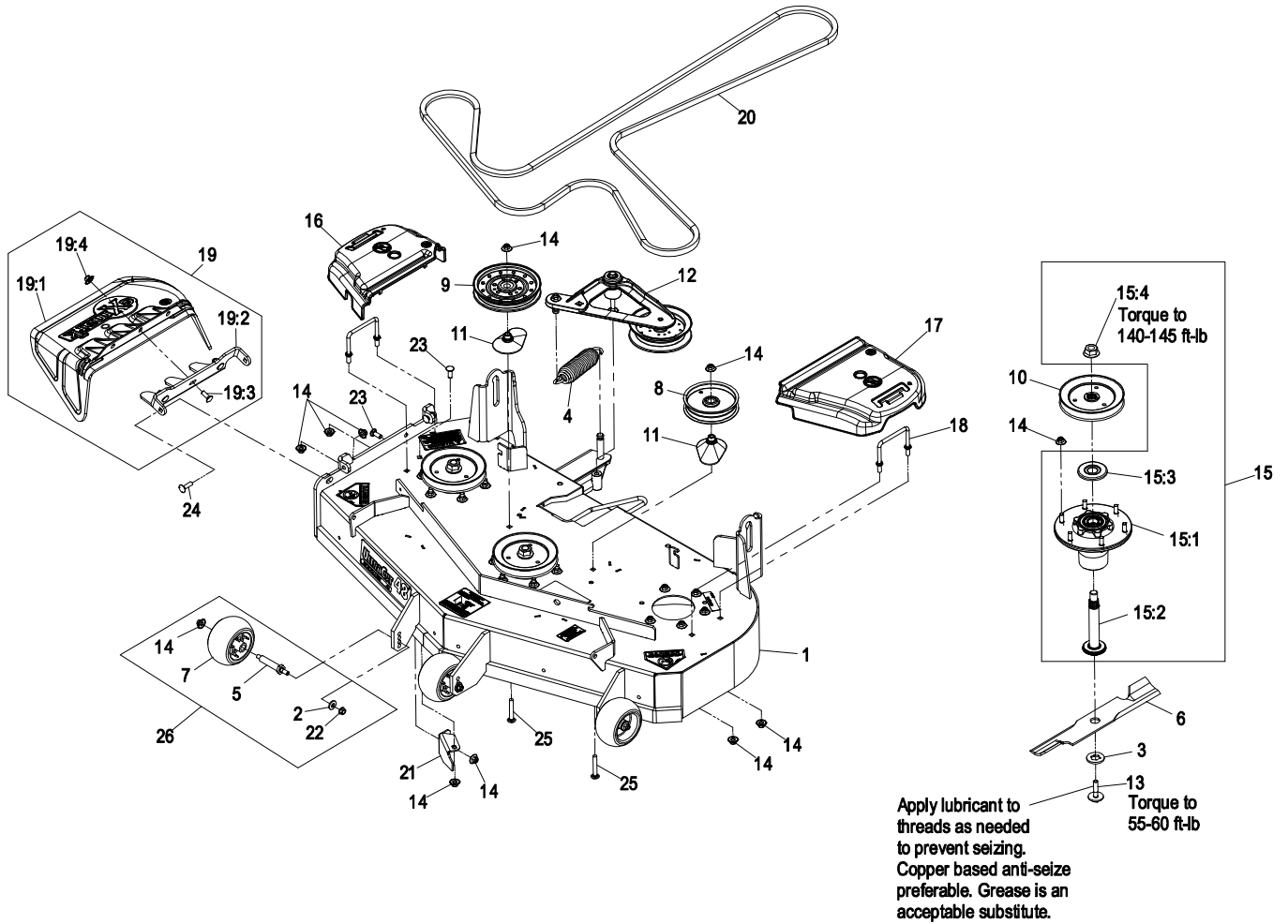


**READ OPERATOR'S MANUAL BEFORE  
OPERATING OR SERVICING EXMARK EQUIPMENT.**

## **TABLE OF CONTENTS**

<b><u>Description</u></b>	<b><u>Page</u></b>
Brake Handle Assembly .....	18
Caster Wheel Assembly .....	12
Controls Group .....	15
Decal Group.....	29
Deck Group.....	3-9
Deck Support Group .....	13
Deck Idler Assembly .....	9
Electrical Diagram.....	30
Electrical Group .....	28
Electrical Logic Schematic.....	31
Engine Group.....	23-24
Fuel Tank Group .....	21
Fuel Tank Assembly .....	22
Height of Cut Assembly .....	14
Hydraulic Group .....	25-26
Mainframe Group.....	10
Motion Control Group .....	16
Park Brake Group .....	18
Pump Idler Assembly .....	27
ROPS Assembly .....	11
Seat Group .....	19
Seat W/Tracks Assembly.....	20

# 48" DECK GROUP



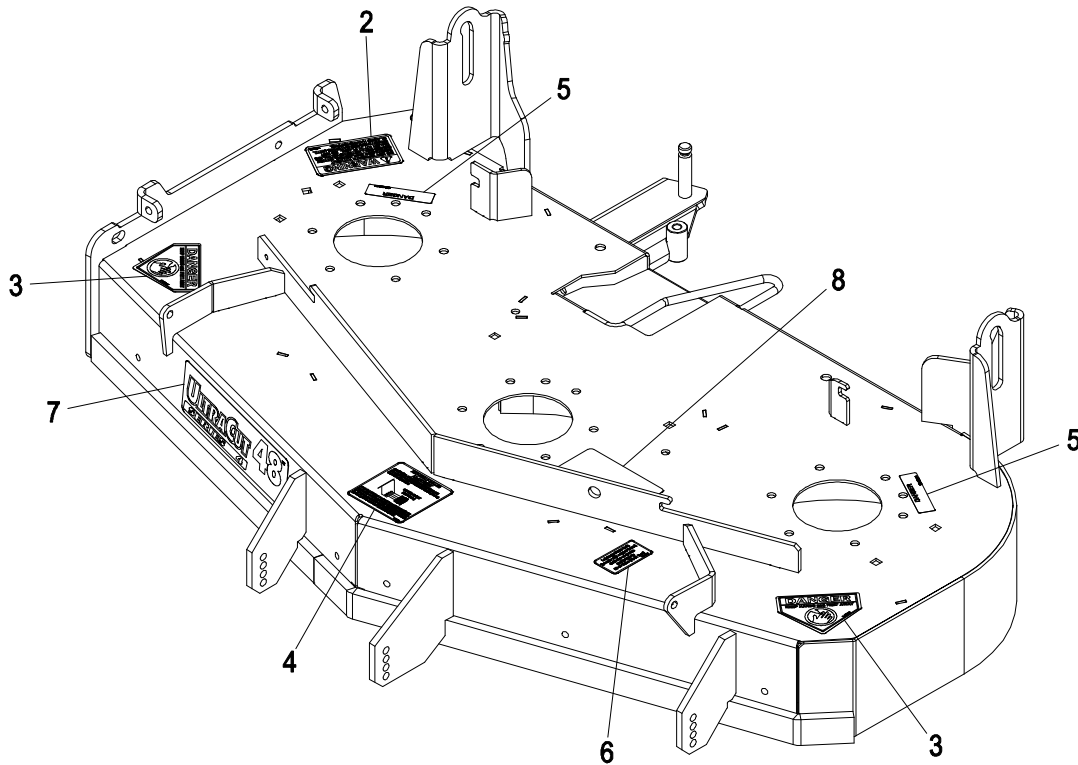
Item	Part No.	Description	Qty.
1	116-1978	Asm, 484 Deck With Decals .....	1
2	98-5975	Washer, Spring Disc 3/8 .....	3
3	109-7429	Washer, Blade Drive .....	3
4	116-0133	Extension-Spring.....	1
5	99-2842	Spacer.....	3
6	103-6401	Blade, Notched .....	3
●	103-6391	Blade, Mulching .....	3
	103-6386	Blade, Low Lift .....	3
	103-6381	Blade, Solid.....	3
	103-6396	Blade, Extreme .....	3
7	1-603299	Roller-Scalp, Anti .....	3
8	1-613098	Pulley-Idler.....	1
9	1-633109	Idler-Flat.....	1
10	116-0674	Sheave, Blade Drive .....	3
11	109-2872	Spacer-Pulley.....	2
12	109-2883	Asm, Deck Idler.....	1
13	116-0005	Bolt, Blade SEM.....	3
14	109-6658	Nut, Nyloc 3/8-16 Flg .....	31
15	116-1384	Asm, Cutter Housing Complete .....	3
15:1	116-0924	Asm, Cutter Housing.....	1

Item	Part No.	Description	Qty.
15:2	116-0381	Spindle.....	1
15:3	116-1286	Guard, Top .....	1
15:4	104-0753	Nut, Flange .....	1
16	109-6935	Cover-Belt, RH .....	1
17	109-6936	Cover-Belt, LH .....	1
18	109-6982	Wireform-Cover .....	2
19	109-7188	Asm, Discharge Chute.....	1
19:1	109-2738	Chute, Discharge.....	1
19:2	109-8675-01	Bracket, Discharge Chute.....	1
19:3	3231-22	Bolt, Carriage 3/8-16 x 1.....	3
19:4	109-6658	Nut, Nyloc 3/8-16 Flg.....	3
20	116-1965	Belt, V-B X 175.75.....	1
21	109-9010-01	Baffle, Discharge .....	1
22	3290-357	Nut, Whizlock 3/8-16 .....	3
23	3231-22	Bolt, Carriage 3/8-16 x 1.....	2
24	3231-28	Bolt, Carriage 3/8-16 x 1 1/4.....	2
25	3231-44	Bolt, Carriage 3/8-16 x 2 1/2.....	2
26	103-4051	Kit, Anti-Scalp Roller.....	3
27	116-1967	Asm, Complete Deck.....	1

Exmark red touch up paint (spray paint – P/N 1-850337 - .6 oz liquid bottle – P/N 103-9140).

● Requires installation of Micro-Mulch accessory for proper mulching. Mulch kit P/N MK484.

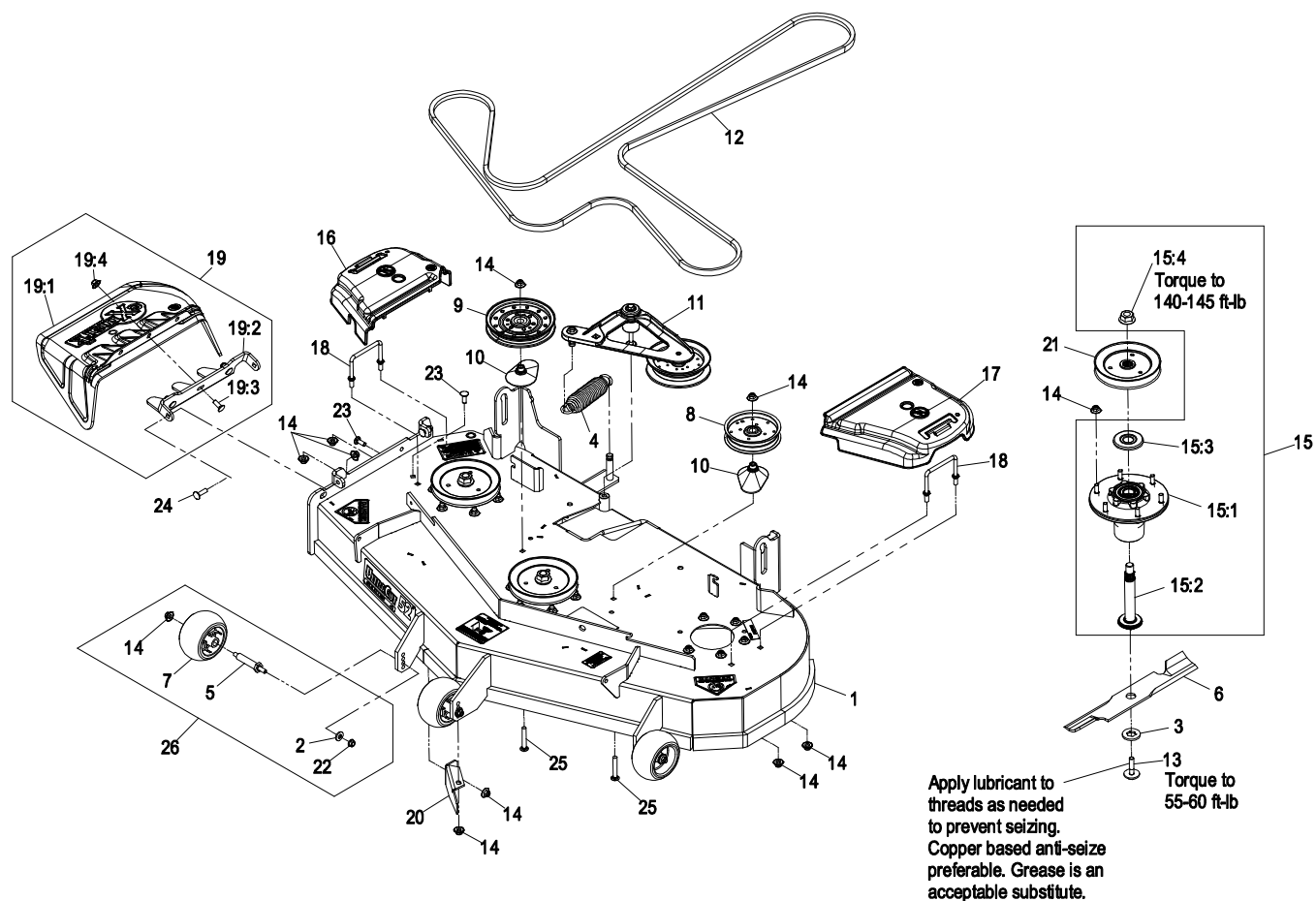
# 48" DECK W/DECALS ASSEMBLY – 116-1978



Item	Part No.	Description	Qty.
2	1-303508	Decal, Warning, Discharge.....	1
3	1-403005	Decal, Danger.....	2
4	1-633922	Decal, Antiscalp.....	1
5	98-5954	Decal, Cover, Missing .....	2

Item	Part No.	Description	Qty.
6	109-3148	Decal, Bolt Torque .....	1
7	116-0033	Decal, Ultracut 48 Series 4 .....	1
8	116-2630	Decal, Belt Routing .....	1

# 52" DECK GROUP



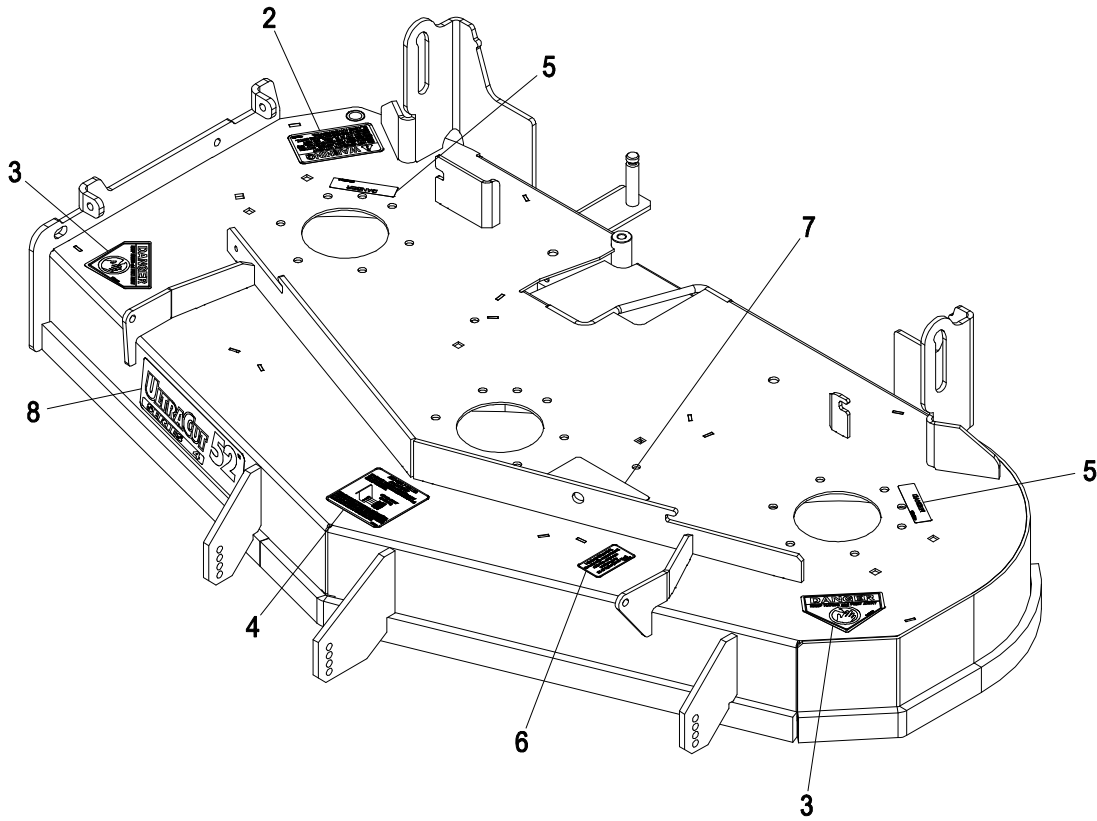
Item	Part No.	Description	Qty.
1	116-1984	Asm, 524 Deck With Decals .....	1
2	98-5975	Washer, Spring Disc 3/8 .....	3
3	109-7429	Washer, Blade Drive .....	3
4	116-0133	Extension-Spring .....	1
5	99-2842	Spacer .....	3
6	103-6402	Blade-Notched .....	3
●	103-6392	Blade, Mulching .....	3
	103-6387	Blade, Low Lift .....	3
	103-6382	Blade, Solid .....	3
	103-6397	Blade, Extreme .....	3
7	1-603299	Roller-Scalp, Anti .....	3
8	1-613098	Pulley-Idler .....	1
10	109-2872	Spacer-Pulley .....	2
11	109-2883	Asm, Deck Idler .....	1
12	116-1966	Belt, V-B X 186.00" .....	1
13	116-0005	Bolt, Blade SEM .....	3
14	109-6658	Nut, Nyloc 3/8-16 Flg .....	31
15	116-1384	Asm, Cutter Housing Complete .....	3
15:1	116-0924	Asm, Cutter Housing .....	1

Item	Part No.	Description	Qty.
15:2	116-0381	Spindle .....	1
15:3	116-1286	Guard, Top .....	1
15:4	104-0753	Nut, Flange .....	1
16	109-6935	Cover-Belt, RH .....	1
17	109-6936	Cover-Belt, LH .....	1
18	109-6982	Wireform-Cover .....	2
19	109-7188	Asm, Discharge Chute .....	1
19:1	109-2738	Chute, Discharge .....	1
19:2	109-8675-01	Bracket, Discharge Chute .....	1
19:3	3231-22	Bolt, Carriage 3/8-16 x 1 .....	3
19:4	109-6658	Nut, Nyloc 3/8-16 Flg .....	3
20	109-9915-01	Baffle, Discharge 52/60 .....	1
21	116-0675	Sheave, Blade Drive 6.50 .....	3
22	3290-357	Nut, Whizlock 3/8-16 .....	3
23	3231-22	Bolt, Carriage 3/8-16 x 1 .....	2
24	3231-28	Bolt, Carriage 3/8-16 x 1 1/4 .....	2
25	3231-44	Bolt, Carriage 3/8-16 x 2 1/2 .....	2
26	103-4051	Kit, Anti-Scalp Roller .....	3
27	116-1968	Asm, Complete Deck .....	1

Exmark red touch up paint (spray paint – P/N 1-850337 - .6 oz liquid bottle – P/N 103-9140).

● Requires installation of Micro-Mulch accessory for proper mulching. Mulch kit P/N MK524.

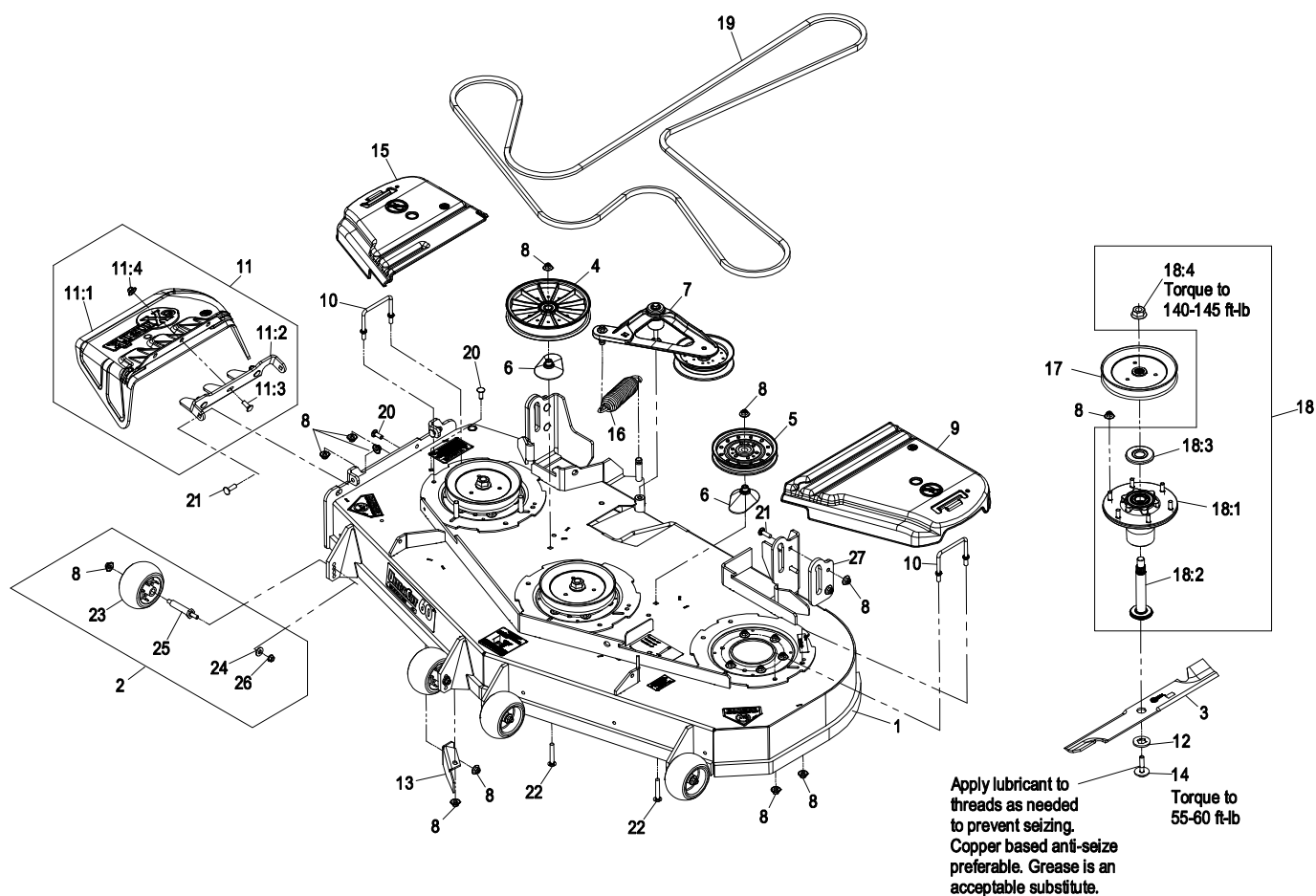
## 52" DECK W/DECALS ASSEMBLY – 116-1984



Item	Part No.	Description	Qty.
2	1-303508	Decal, Warning Discharge.....	1
3	1-403005	Decal, Danger.....	2
4	1-633922	Decal, Antiscalp.....	1
5	98-5954	Decal, Cover Missing .....	2

Item	Part No.	Description	Qty.
6	109-3148	Decal, Bolt Torque .....	1
7	116-2630	Decal, Belt Routing .....	1
8	116-0034	Decal, UltradCut 52 Series 4 .....	1

# 60" DECK GROUP



Item	Part No.	Description	Qty.
1	116-1987	Asm, Deck 604 Push With Decals .....	1
2	103-4051	Kit, Anti-Scalp Roller .....	4
3	103-6403	Blade, Notched .....	3
●	103-6393	Blade, Mulching .....	3
	103-6388	Blade, Low Lift .....	3
	103-6383	Blade, Solid .....	3
	103-6398	Blade, Extreme .....	3
4	109-0996	Pulley, Idler 8" Flat .....	1
5	1-633109	Idler, Flat .....	1
6	109-2872	Spacer, Pulley .....	2
7	109-2883	Asm, Deck Idler .....	1
8	109-6658	Nut, Nyloc 3/8-16 Flg .....	36
9	109-6938	Cover-Belt, LH .....	1
10	109-6982	Wireform, Cover .....	2
11	109-7188	Asm, Discharge Chute .....	1
11	109-7188	Asm, Discharge Chute .....	1
11:1	109-2738	Chute, Discharge .....	1
11:2	109-8675-01	Bracket, Discharge Chute .....	1
11:3	3231-22	Bolt, Carriage 3/8-16 x 1 .....	3
11:4	109-6658	Nut, Nyloc 3/8-16 Flg .....	3
12	109-7429	Washer, Blade Drive .....	3

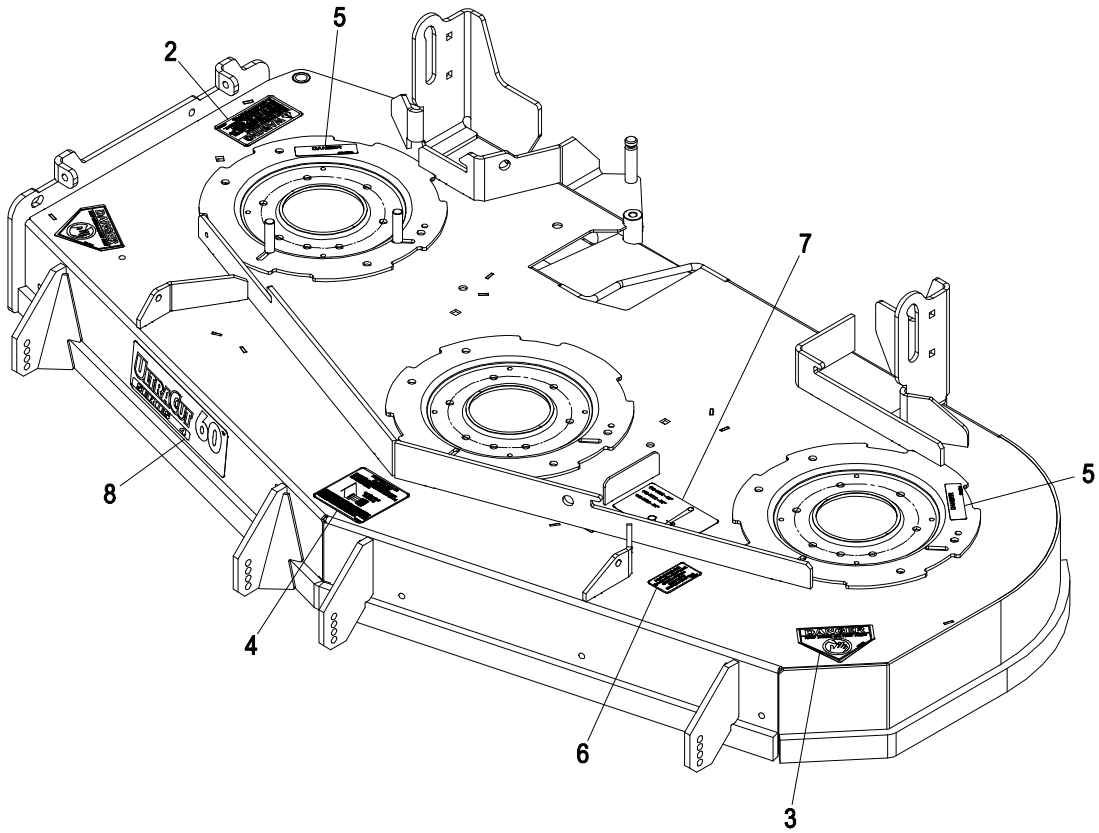
Item	Part No.	Description	Qty.
13	109-9915-01	Baffle, Discharge .....	1
14	116-0005	Bolt, Blade Sem .....	3
15	116-0094	Cover-Belt, RH .....	1
16	116-0133	Extension-Spring .....	1
17	116-0676	Sheave, Blade Drive 7.25 .....	3
18	116-1384	Asm, Cutter Housing Complete .....	3
18:1	116-0924	Asm, Cutter Housing .....	1
18:2	116-0381	Spindle .....	1
18:3	116-1286	Guard, Top .....	1
18:4	104-0753	Nut, Flange .....	1
19	109-8073	Belt, V-5V-198.75 .....	1
20	3231-22	Bolt, Carriage 3/8-16 x 1 .....	2
21	3231-28	Bolt, Carriage 3/8-16 x 1 1/4 .....	6
22	3231-44	Bolt, Carriage 3/8-16 x 2 1/2 .....	2
23	1-603299	Roller-Scalp, Anti .....	4
24	98-5975	Washer, Spring Disc 3/8 .....	4
25	99-2842	Spacer, Wheel .....	4
26	3290-357	Nut, Whizlock 3/8-16 .....	4
27	116-3445	Plate, Reinf Push Tower .....	2
28	116-3217	Asm, Complete Deck .....	3

Exmark red touch up paint (spray paint – P/N 1-850337 - .6 oz liquid bottle – P/N 103-9140).

● Requires installation of Micro-Mulch accessory for proper mulching. Mulch kit P/N MK604.



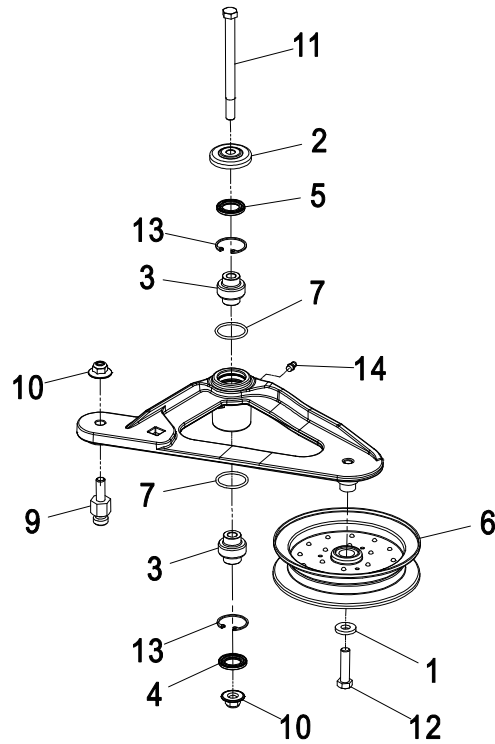
# 60" DECK W/DECALS ASSEMBLY – 116-1987



Item	Part No.	Description	Qty.
2	1-303508	Decal-Warning, Discharge .....	1
3	1-403005	Decal-Danger .....	2
4	1-633922	Decal, Antiscalp.....	1
5	98-5954	Decal-Cover, Missing .....	2

Item	Part No.	Description	Qty.
6	109-3148	Decal, Bolt Torque .....	1
7	116-2630	Decal-Belt Routing .....	1
8	116-0025	Decal, Ultroncut 60 Series 4 .....	1

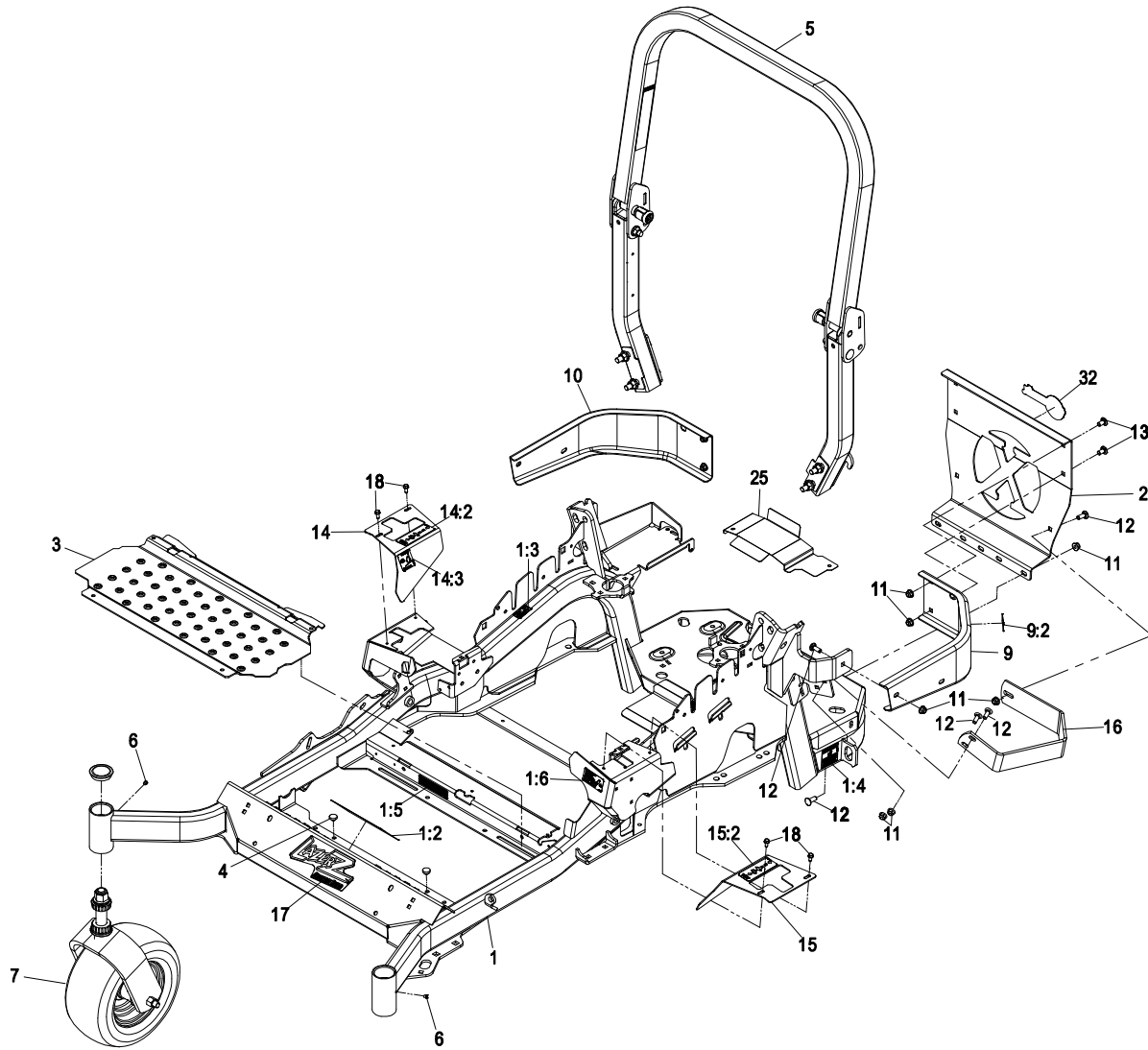
# DECK IDLER ASSEMBLY – 109-2883



Item	Part No.	Description	Qty.
1	43-0940	Spacer-Hub, Blower .....	1
2	103-2916	Guard, Top .....	1
3	103-3504	Bearing, Spherical .....	2
4	103-3505	Seal, Double Lip .....	1
5	103-3506	Seal, Single Lip .....	1
6	103-8743	Pulley, Idler 5\"Flanged .....	1
7	106-7159	O-Ring .....	2

Item	Part No.	Description	Qty.
9	109-7399	Pin, Spring Anchor .....	1
10	109-6658	Nut, Nyloc 3/8-16 Flg .....	2
11	109-7409	Screw, Shoulder 3/8-16 x 5 .....	1
12	323-8	Screw, HH 3/8-16 x 1 1/2 .....	1
13	32120-10	Ring, Retaining .....	2
14	302-19	Zerk, 1/4-28 Str .....	1

# MAINFRAME GROUP



Item	Part No.	Description	Qty.
1	116-2124	Frame, Main 48/52 W/Decals.....	1
	116-2126	Frame, Main 60 W/Decals.....	1
1:2	107-2112	Decal, Warning.....	1
1:3	103-2076	Decal, Caution Hot Surface.....	2
1:4	116-0205	Decal, Belt Drive.....	2
1:5	117-2718	Decal, Spark Arrester.....	1
1:6	116-1654	Decal, Fuel Fill.....	1
2	109-8863-03	Plate, Rear Guard.....	1
3	116-0024-01	Floorpan.....	1
4	1-513658	Bumper.....	2
5	116-2882	Asm, ROPS Service.....	1
6	1-811010	Plug.....	2
7▲		Asm, Caster Wheel.....	2
9	116-0180	Bumper, Rear LH W/Decal.....	1
9:2	103-2076	Decal, Caution Hot Surface.....	1

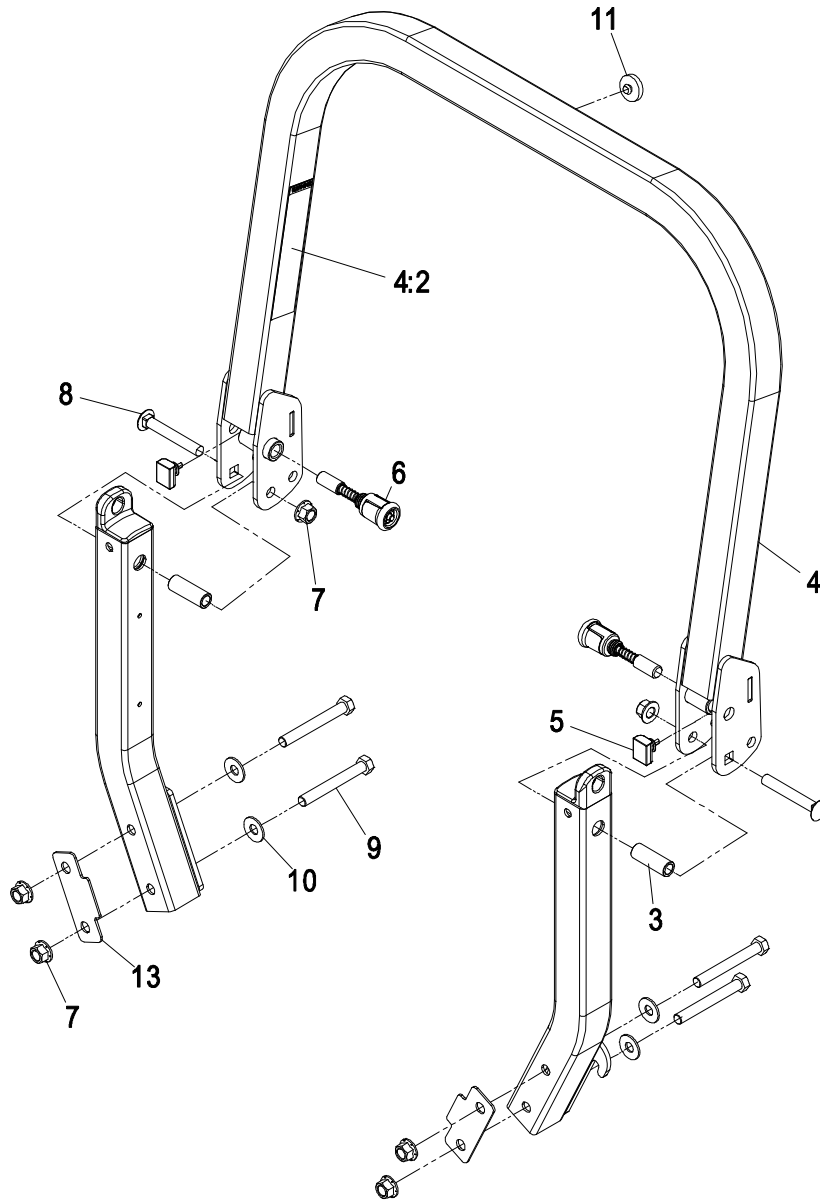
Item	Part No.	Description	Qty.
10	116-0057-03	Bumper, Rear RH.....	1
11	104-8301	Nut, Nyloc 3/8-16 Flg.....	11
12	3231-22	Bolt, Carriage 3/8-16 x 1.....	7
13	3231-21	Bolt, Carriage 3/8-16 x 3/4.....	4
14	116-0579	Asm, Motion Control Cover W/Decal RH.....	1
14:2	109-7232	Decal, Motion Control.....	1
14:3	109-7929	Decal, Park Brake.....	1
15	116-0580	Asm, Motion Control Cover W/Decal LH.....	1
15:2	109-7232	Decal, Motion Control.....	1
16	116-0043-03	Guard, Muffer.....	1
17	116-0026	Decal, Lazer AS Model.....	1
18	32144-10	Screw, HWH 1/4-20 x .62.....	4
25	116-2999-01	Guard, Belt.....	1
32	103-2883	Decal, Exmark Logo.....	1

Exmark red touch up paint (spray paint – P/N 1-850337 - .6 oz liquid bottle – P/N 103-9140).

Exmark black touch up spray paint – gloss black.

▲ See page 10

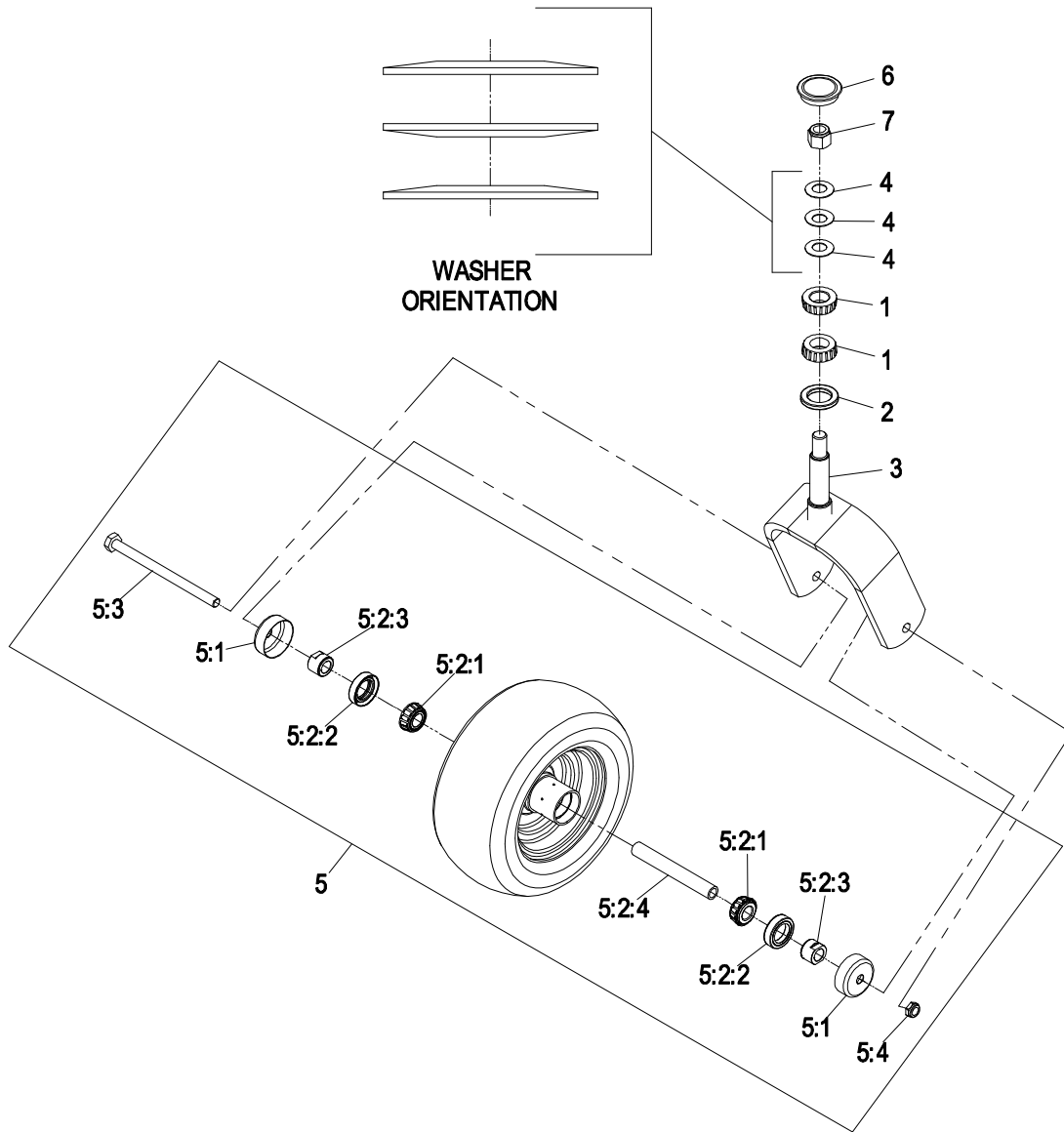
# ROPS ASSEMBLY – 116-2882



Item	Part No.	Description	Qty.
3	109-6653	Spacer .....	2
4	116-0019	Asm, Rops Upper W/Decal .....	1
4:2	107-2102	Decal, Warning, Folding Rops.....	1
5	109-5337	Bumper, Rops.....	2
6	116-0104	Asm, Spring Pin.....	2
7	99-5107	Nut, Lock 1/2-13.....	6

Item	Part No.	Description	Qty.
8	3233-10	Bolt, Carriage 1/2-13 x 3 1/2 .....	2
9	325-17	Screw, HH 1/2-13 x 4 .....	4
10	109-9505	Washer, Spring Disc 1/2 .....	4
11	109-9233	Bumper, Rubber Push-In .....	1
13	116-0960	Spacer.....	2

# CASTER WHEEL ASSEMBLY



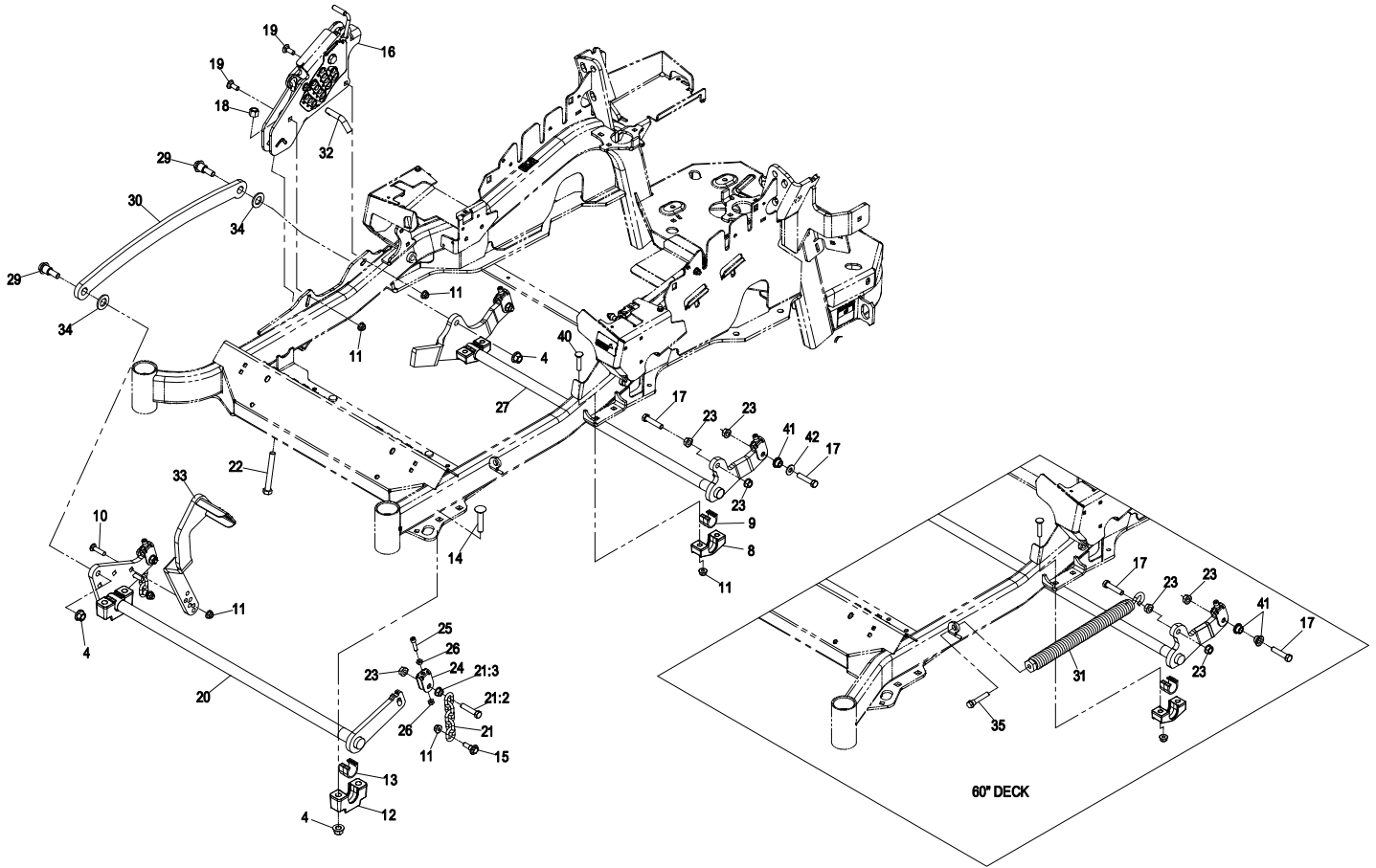
Item	Part No.	Description	Qty.
1	1-543509	Cone, Bearing Tapered Roller .....	2
2	1-543511	Seal, Grease .....	1
3	116-1963-01	Wld, Caster Fork .....	1
4	1-633508	Washer, Spring Disc .....	3
5	116-1949	Asm, Wheel And Tire W/Axle.....	1
5:1	103-2768	Guard, Seal.....	2
5:2:1	1-633585	Bearing, Cone Tapered Roller .....	2

Item	Part No.	Description	Qty.
5:2:2	103-0063	Seal, Double Lip .....	2
5:2:3▲	103-3051	Spacer, Nut.....	2
5:2:4	103-3155	Axle, Caster .....	1
5:3	325-42	Screw, HH 1/2-13 x 8 .....	1
5:4	3296-23	Nut, Nyloc 1/2-13.....	1
6	103-4882	Cap-Grease .....	1
7	3296-51	Nut, Nyloc 3/4-10.....	1

Exmark red touch up paint (spray paint – P/N 1-850337 - .6 oz liquid bottle – P/N 103-9140).

▲ Use Pro-Lock, Nut Type (P/N 1-840022, .5ml tube) on spacer nut, item 5:2:3.

# DECK SUPPORT GROUP

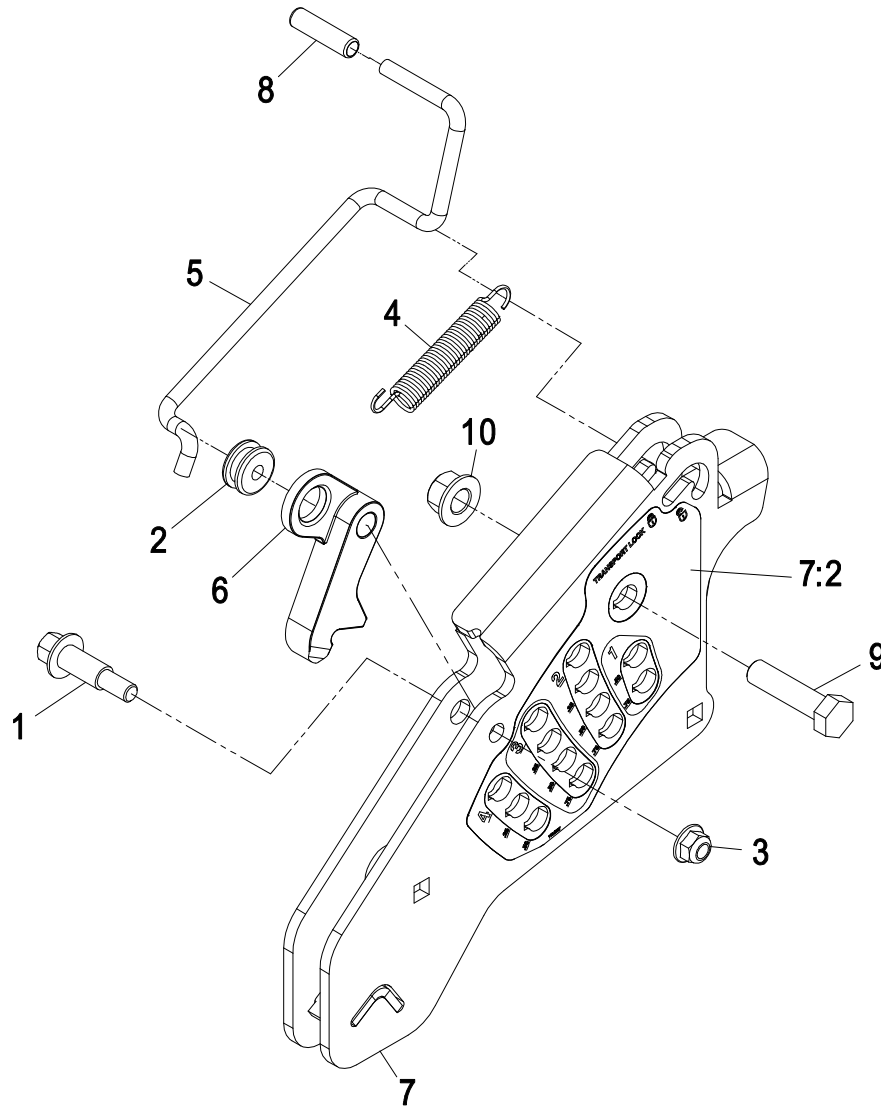


Item	Part No.	Description	Qty.
4	99-5107	Nut, Lock 1/2-13 .....	6
8	116-0818-03	Support-Bearing, Cross Shaft Rear .....	2
9	109-7173	Bearing-Cross, Rear Shaft .....	2
10	3231-4	Bolt, Carriage 3/8-16 x 1 1/2 .....	2
11	104-8301	Nut, Nyloc 3/8-16 Flg .....	10
12	109-9409	Support-Cross Shaft, Bearing Front .....	2
13	109-9410	Bearing-Shaft Front, Cross .....	2
14	116-1700	Bolt, Carriage 1/2-13 x 2 1/2 spl neck ....	4
15	109-9840	Screw, Hex Flange 3/8-16 x .80 .....	2
16	116-1970	Asm, HOC .....	1
17	109-9065	Screw, HH 7/16-14 x 2 (48" & 52") .....	1
	324-10	Screw, HH 7/16-14 x 2 1/2 (60") .....	1
18	3296-23	Nut, Nyloc 1/2-13 .....	1
19	3231-2	Bolt, Carriage 3/8-16 x 1 .....	2
20	116-2217-03	Wld, Cross Shaft Front .....	1
21		Deck Lift Chain Asm .....	2
21:2	109-9065	Screw, HH 7/16-14 x 2 .....	1
21:3	32128-37	Nut, Whizlock 7/16-14 .....	1
22	116-0559	Bolt, HH 1/2-13 x 4 tap .....	1

Item	Part No.	Description	Qty.
23	32128-37	Nut, Whizlock 7/16-14 (48" & 52") .....	4
	32128-37	Nut, Whizlock 7/16-14 (60") .....	6
24	109-9066	Yoke-Adjust, Deck .....	4
25	3274-18	Screw, SH 5/16-18 x 1 1/4 .....	4
26	3218-2	Nut, Jam 5/16-18 .....	8
27	116-0459-03	Lift-Deck, Rear .....	1
29	116-0780	Screw, Shoulder HHF 1/2-13 x 1.12 .....	2
30	116-0797-03	Link-Lift, Deck .....	1
31	116-0886	Asm, Spring Extension (60") .....	1
32	109-8757	Pin-Hoc .....	1
33	116-3452-01	Wld, Foot Lever .....	1
34	3256-28	Washer, 3/4 SAE .....	2
35	92-7674	Screw, SHCS 3/8-16 x 2.212 .....	1
40	3231-5	Bolt, Carriage 3/8-16 x 1 3/4 .....	4
41	116-2428	Bushing, Flanged .....	2
	116-2428	Bushing, Flanged .....	4
42	3256-4	Washer, 3/8 Std .....	2
43	109-9065	Screw, HH 7/16-14 x 2 (48" & 52") .....	2
	324-10	Screw, HH 7/16-14 x 2 1/2 (60") .....	2

Exmark red touch up paint (spray paint – P/N 1-850337 - .6 oz liquid bottle – P/N 103-9140)  
 Exmark black touch up spray paint – gloss black.

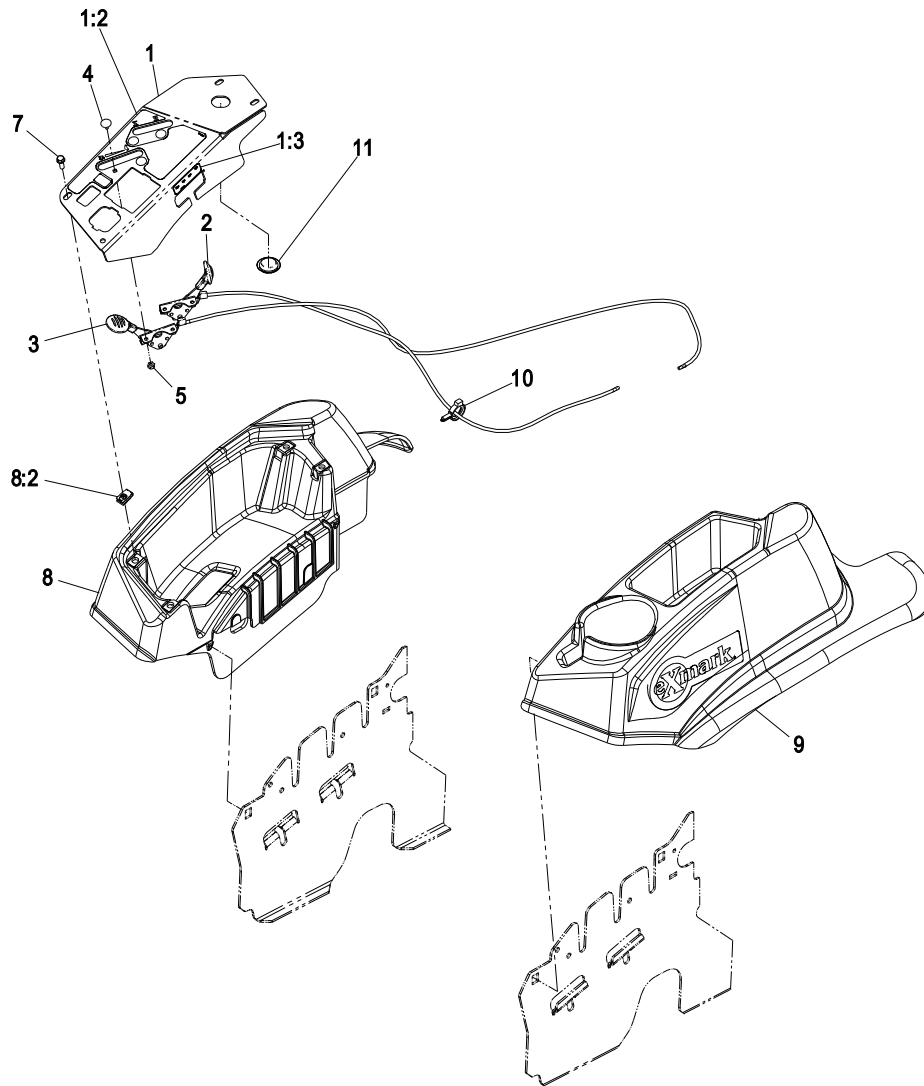
# HEIGHT OF CUT ASSEMBLY – 116-1970



Item	Part No.	Description	Qty.
1	62-1330	Bolt-Shoulder.....	1
2	109-7130	Grommet.....	1
3	104-8301	Nut, Nyloc 3/8-16 Flg.....	1
4	109-7124	Spring, Extension .....	1
5	109-7128	Rod, Transport Lock .....	1
6	116-0118	Pawl, Transfer Lock.....	1

Item	Part No.	Description	Qty.
7	116-1961	Asm, HOC Plate W/Decal .....	1
7:2	116-2927	Decal, Cut Of Height .....	1
8	109-8250	Grip, Lever .....	1
9	325-8	Screw, HH 1/2-13 x 1 1/4.....	1
10	99-5107	Nut, Lock 1/2-13.....	1

# CONTROLS GROUP

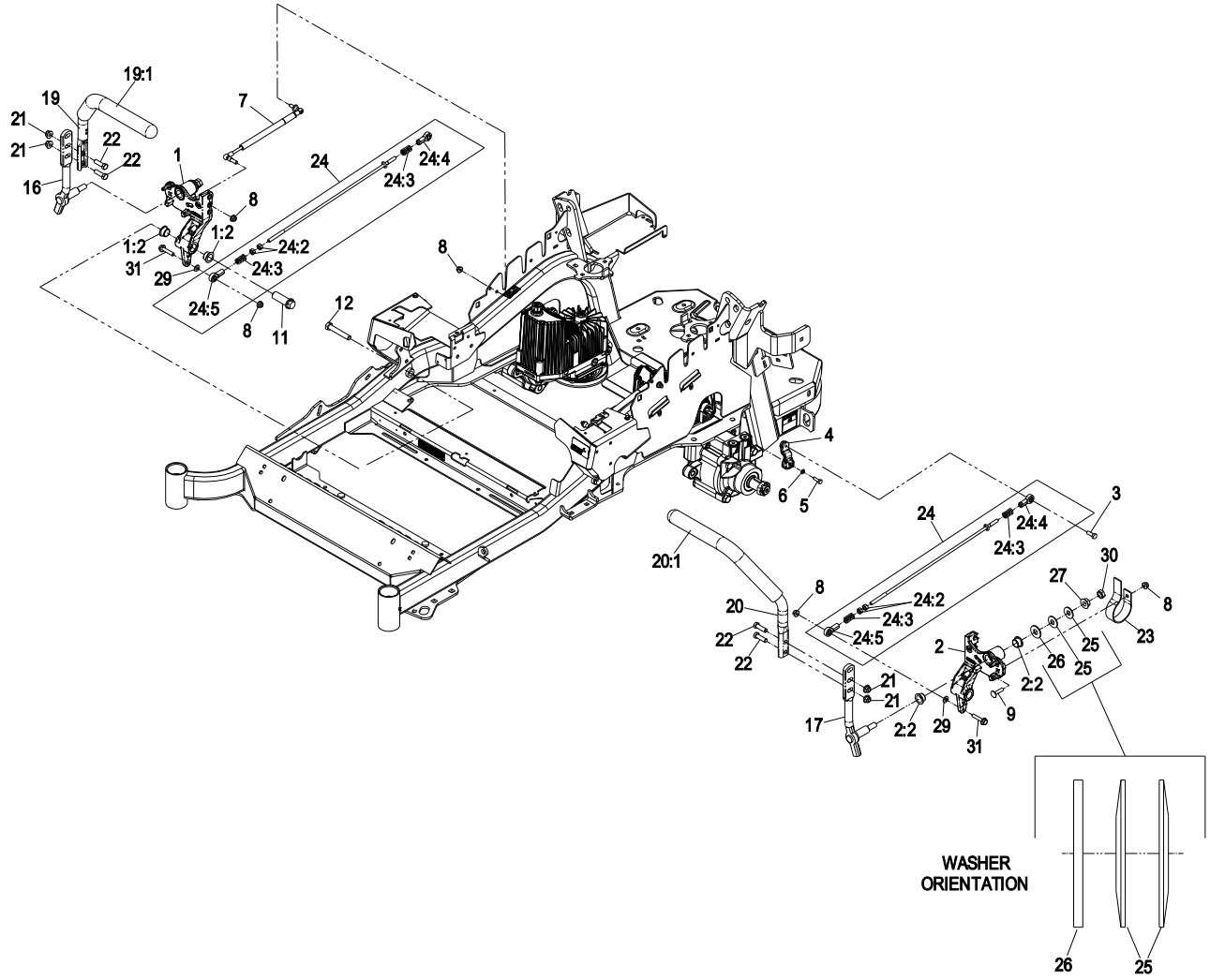


Item	Part No.	Description	Qty.
1	109-8484	Console, Panel W/Decal (48" & 52") .....	1
	116-1845	Console, Panel W/Decal (60") .....	1
1:2	109-8483	Decal, Control Panel .....	1
1:3	109-7330	Decal, Fuse .....	1
2	116-1972	Asm, Throttle Cable (48" & 52") .....	1
	116-0969	Asm, Throttle Cable (60") .....	1
3	116-1973	Asm, Choke Cable (48" & 52") .....	1
	109-8165	Asm, Choke Cable (60") .....	1

Item	Part No.	Description	Qty.
4	1-807513	Bolt, Carriage #10-24 x 1/2 .....	4
5	3296-2	Nut, Nyloc #10-24 .....	4
7	32105-15	Screw, Machine 1/4-20 x 3/4 .....	4
8	116-1278	Console, RH Narrow Asm .....	1
8:2	107069	Clip .....	4
9	109-9457	Console.LH Narrow Asm .....	1
10	105-1853	Clamp, Hose (60") .....	1
11	116-1875	Plug, Plastic .....	1



# MOTION CONTROL GROUP

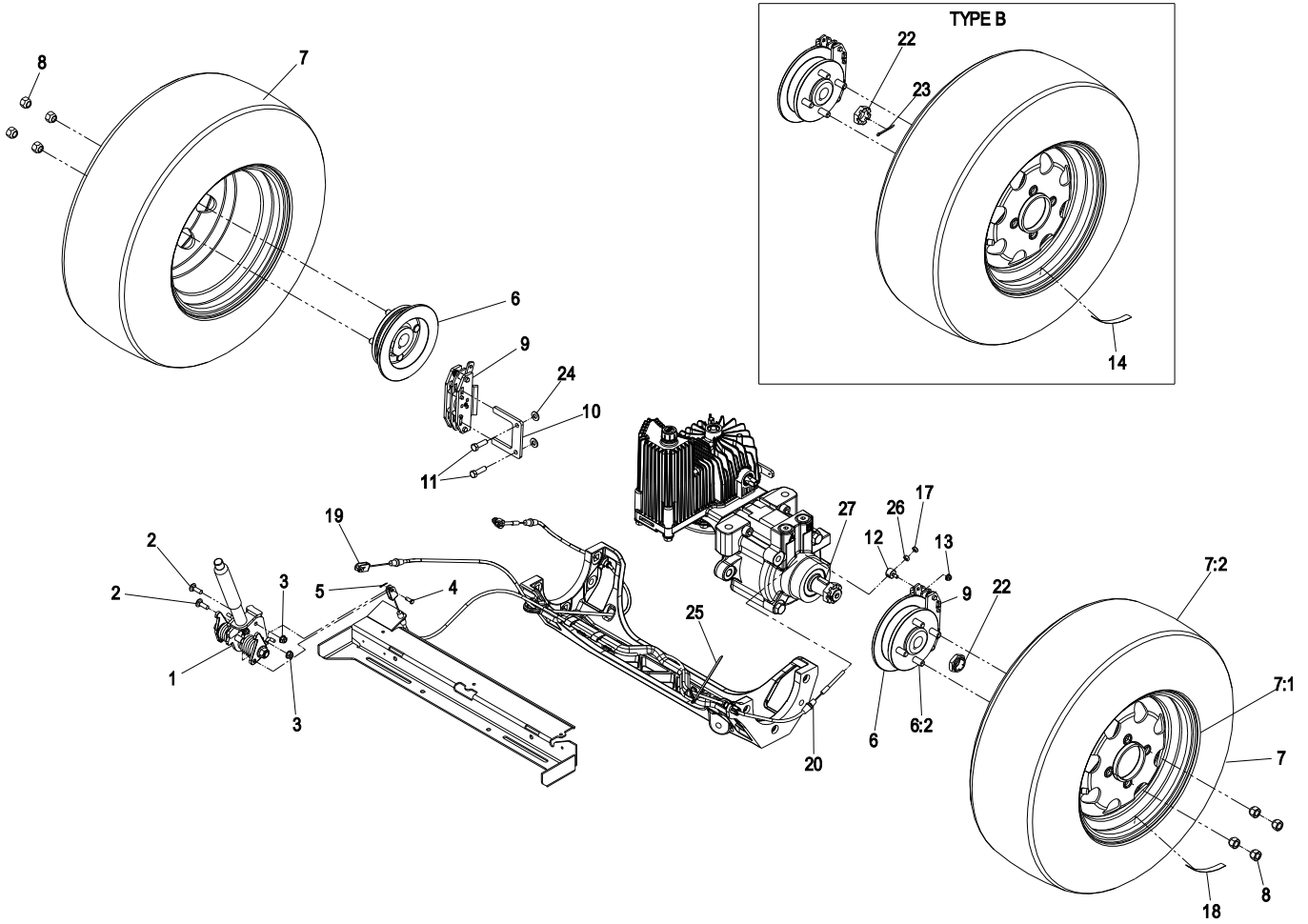


Item	Part No.	Description	Qty.
1	116-0880	Asm, Mot Ctrl/Bushing RH .....	1
1:2	109-8054	Bushing, Flanged .....	4
2	116-0881	Asm, Mot Ctrl/Bushing LH .....	1
2:2	109-8054	Bushing, Flanged .....	4
3▲	116-0648	Screw, HH 5/16-18 x 1 W/Patch.....	2
4	109-4581	Arm, Pump Control.....	2
5▲	9080046	Screw, HH 1/4-20 x 7/8 .....	2
6	1-303435	Washer, Spring Disc 1/4.....	2
7	116-0027	Damper, Motion Control .....	2
8	104-8300	Nut, Nyloc 5/16-18 Flg.....	8
9	3230-2	Bolt, Carriage 5/16-18 x 1.....	2
11	109-5891	Hub, Threaded.....	2
12	325-12	Screw, HH 1/2-13 x 3 .....	2
16	116-0039	Lever, Motion Control RH.....	1
17	116-0040	Lever, Motion Control LH.....	1
19	109-6589	Asm, Steering Handle RH .....	1
19:1	109-5668	Grip, Control Lever .....	1

Item	Part No.	Description	Qty.
20	109-6590	Asm, Steering Handle LH.....	1
20:1	109-5668	Grip, Control Lever.....	1
21	104-8301	Nut, Nyloc 3/8-16 Flg .....	4
22	323-7	Screw, HH 3/8-16 x 1 1/4.....	4
23	109-5575	Spring, Leaf Rtn .....	2
24	109-8107	Asm, Pump Linkage Rear .....	2
24:2	3219-2	Nut, Hex 5/16-24.....	2
24:3	1-323245	Spring, Compression.....	2
24:4	1-633152	Balljoint .....	1
24:5	1-543017	Balljoint .....	1
25	109-9505	Washer, Spring Disc 1/2 .....	4
26	3256-6	Washer.....	2
27	32128-56	Nut, Hex 1/2-13 Flange .....	2
29	3256-23	Washer.....	2
30	3218-5	Nut, Jam 1/2-13.....	2
31	115-1794	Screw, Hex Flange 5/16-18 x 1 1/2.....	2

▲ Use Pro-Lock, Nut Type (P/N 1-840022, .5ml tube).

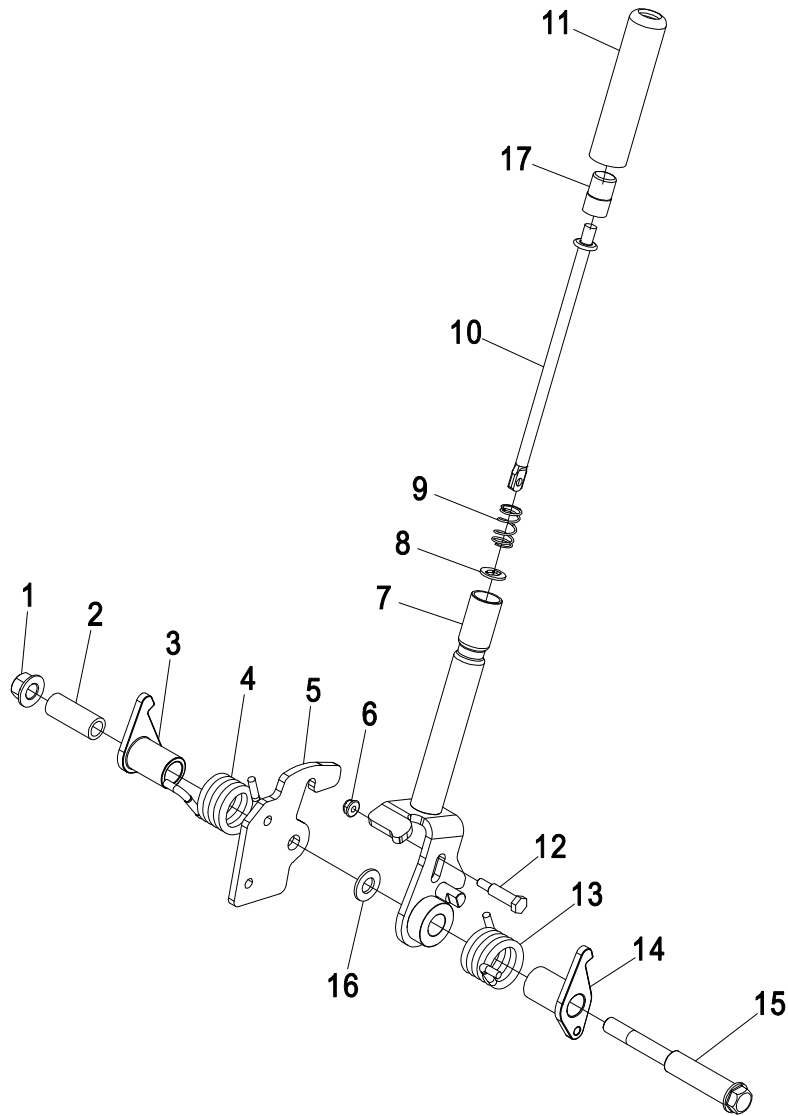
# PARK BRAKE GROUP



Item	Part No.	Description	Qty.
1	116-1878	Asm, Brake Handle .....	1
2	3230-2	Bolt, Carriage 5/16-18 x 1.....	2
3	104-8300	Nut, Nyloc 5/16-18 Flg.....	2
4	60-1730	Pin-Clevis .....	2
5	3272-1	Pin, Cotter 1/16 x 1/2.....	2
6	117-6163	Asm, Wheel Hub And Stud.....	2
6:2	1-633926	Stud-Wheel.....	4
7	116-1940	Asm, Wheel & Tire (48").....	2
	116-1941	Asm, Wheel & Tire (52").....	2
	116-3138	Asm, Wheel & Tire (60").....	2
7:1	109-3645	Wheel (48").....	1
	109-2875	Wheel (52").....	1
	109-2871	Wheel (60").....	1
7:2	116-1948	Tire (48" & 52").....	1
	116-3139	Tire (60").....	1
8	242-50	Nut, Lug 1/2-20.....	8

Item	Part No.	Description	Qty.
9	109-2889	Caliper-Brake .....	2
10	109-0958	Plate, Brake Mount.....	2
11	92-5727	Screw, HH 3/8-16 x 1 1/4 patch lock.....	4
12	112-8379	Swivel.....	2
13	104-7201	Nut, Nyloc 1/4-20 Flg .....	2
14	116-0165	Decal, Hub, Wheel .....	2
17	3296-13	Nut, Nyloc 1/4-28 .....	2
18	116-2643	Decal, Hub, Wheel .....	2
19	115-3584	Cable.....	1
20	115-3585	Cable.....	1
22	1-809036	Nut, Slotted 1-20 .....	2
23	1-806800	Pin, Cotter 9/64 x 1 1/2 .....	2
24	3256-24	Washer, 3/8 SAE.....	4
25	116-0940	Tie-Cable.....	1
26	3219-1	Nut, Hex 1/4-28 .....	2
27	3257-42	Key, Woodruff .....	2

# BRAKE HANDLE ASSEMBLY – 116-1878

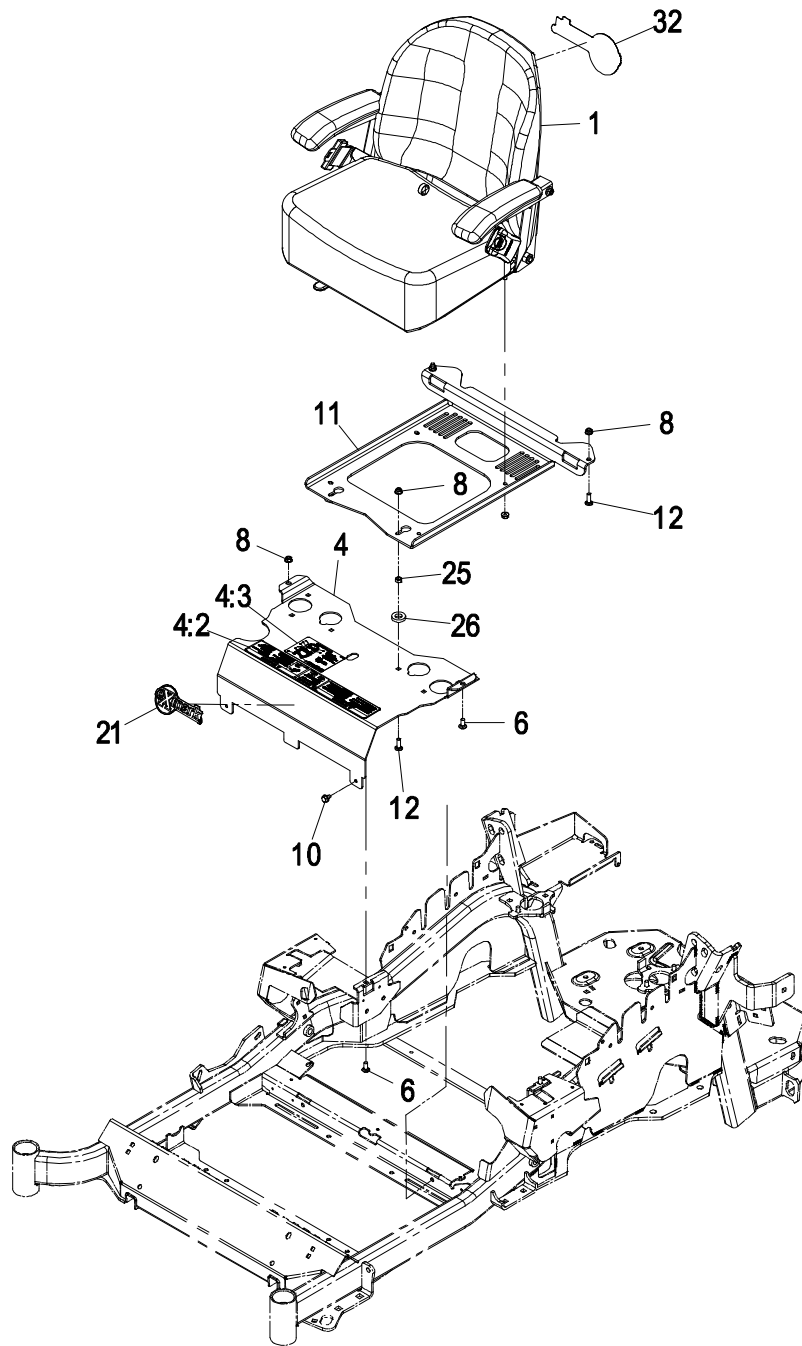


Item	Part No.	Description	Qty.
1	99-5107	Nut, Lock 1/2-13 .....	1
2	117-0380	Spacer .....	1
3	115-3580	Arm-Brake, LH.....	1
4	117-0376	Spring-Torsion, RH.....	1
5	115-3574	Plate-Latch .....	1
6	104-7201	Nut, Nyloc 1/4-20 Flg.....	1
7	116-1876-03	Brake Handle Asm .....	1
8	114-1207	Washer-Special .....	1
9	114-8187	Spring-Compression.....	1

Item	Part No.	Description	Qty.
10	115-3581	Rod-Release, Brake.....	1
11	115-3592	Grip .....	1
12	112-8387	Bolt, HH Shoulder 1/4-20 x 1.64 .....	1
13	117-0375	Spring-Torsion, LH.....	1
14	115-3579	Arm-Brake, RH.....	1
15	117-0379	Bolt, Shoulder 1/2-13 x 5.57.....	1
16	3256-26	Washer, 1/2 SAE.....	1
17	115-2750	Knob.....	1

Exmark black touch up spray paint – gloss black.

# SEAT GROUP

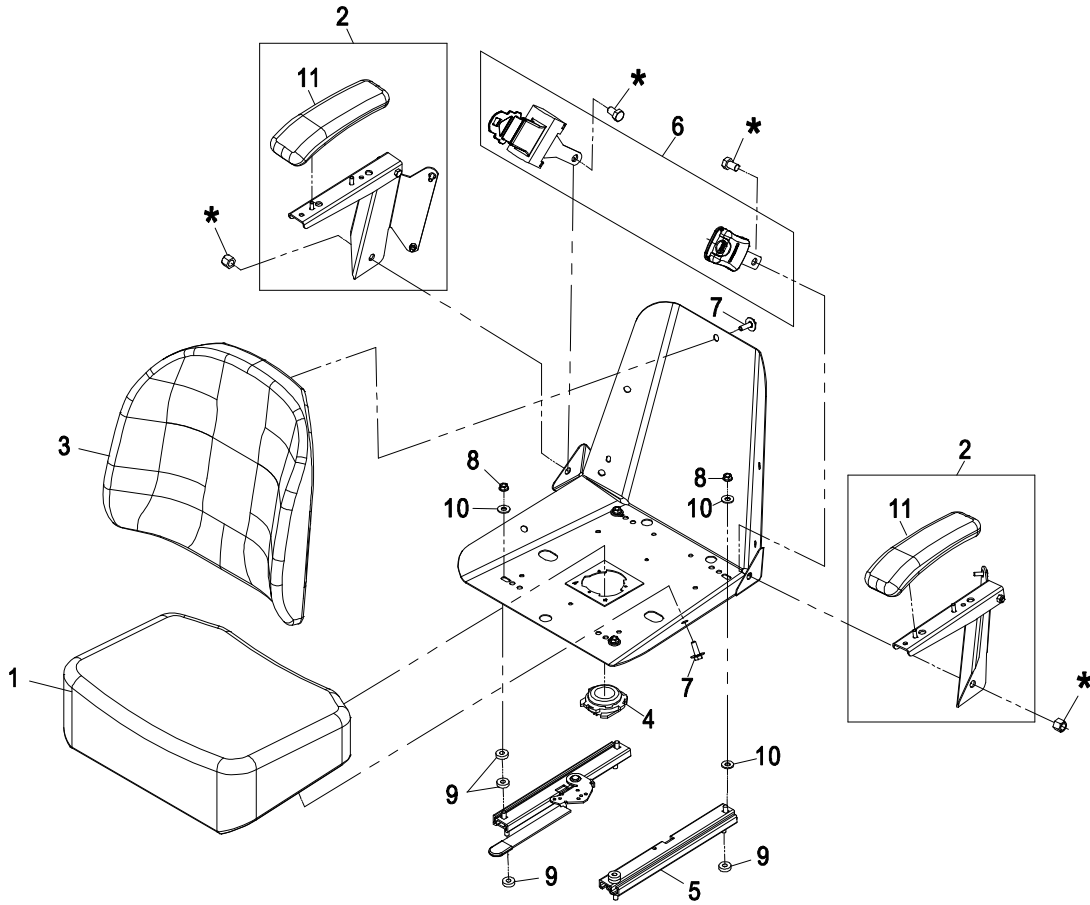


Item	Part No.	Description	Qty.
1	116-3380	Seat, Exmark .....	1
4	116-2323	Mount, Seat W/Decals .....	1
4:2	109-7069	Decal, Console .....	1
4:3	116-0211	Decal, Service Aid .....	1
6	3230-23	Bolt, Carriage 5/16-18 x 3/4, short neck	2
8	104-8300	Nut, Nyloc 5/16-18 Flg.....	10
10	9266934	Screw, HWH 5/16 x 1/2 TF .....	2

Item	Part No.	Description	Qty.
11	116-0192-03	Plate, Seat Support .....	1
12	3230-22	Bolt, Carriage 5/16-18 x 1 Sp.....	4
21	103-2883	Decal, Exmark Logo.....	1
25	3217-6	Nut, Hex 5/16-18 .....	2
26	1-323539	Spacer, Blade Drive .....	2
32	103-2882	Decal, Exmark Logo.....	1

Exmark black touch up spray paint – gloss black

# SEAT W/TRACKS ASSEMBLY – 116-3380

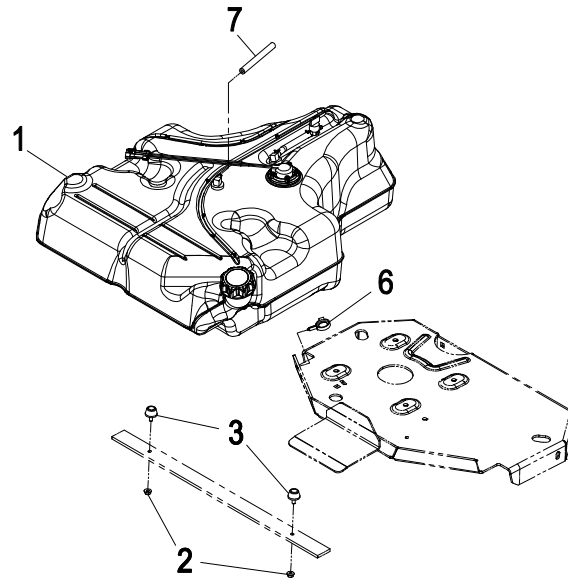


Item	Part No.	Description	Qty.
1	116-2871	Cushion-Seat.....	1
2	110-5719	Armrest Kit W/Brackets .....	1
3	103-3520	Cushion, Seat Back.....	1
4	116-2878	Switch-Seat .....	1
5	1-643255	Track-Seat .....	1
6	116-2981	Seat Belt Kit .....	1

Item	Part No.	Description	Qty.
7	103-8383	Screw, HWH 1/4-20 x 3/4 Taptite.....	7
8	32128-20	Nut, Whizlock 5/16-18.....	4
9	26-4840	Spacer-Pin, Mounting.....	8
10	3256-3	Washer, 5/16 Std .....	6
11	110-4163	Pad, Arm.....	

\* Included in items 2 and 6

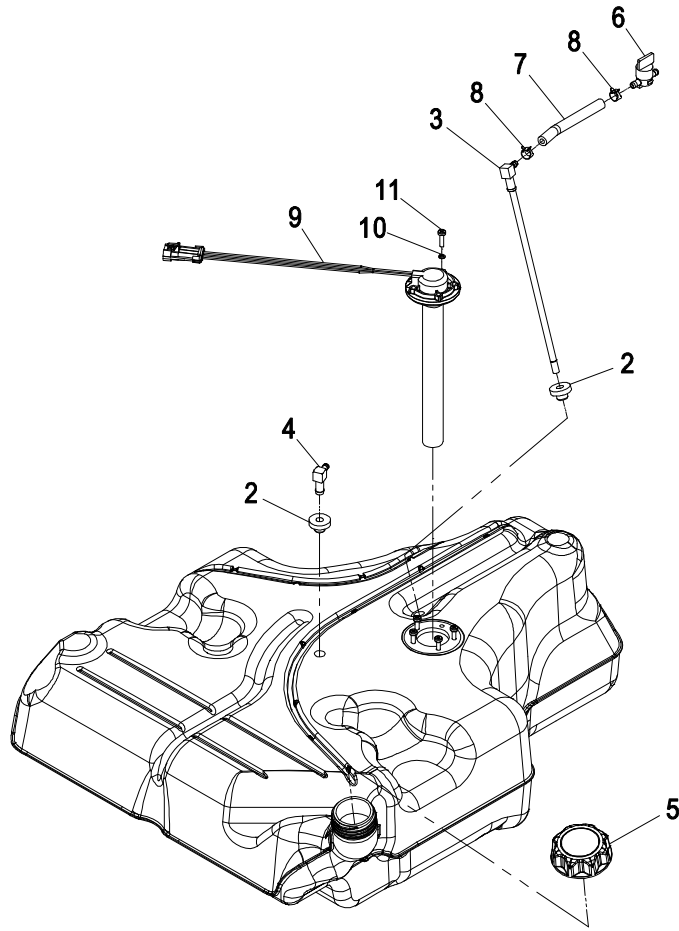
# FUEL TANK GROUP



Item	Part No.	Description	Qty.
1	116-2035	Fuel Tank Asm .....	1
2	32128-33	Nut, Whizlock 1/4-20 .....	2
3	109-2365	Bumper-Rubber (W/Stud).....	2

Item	Part No.	Description	Qty.
6	105-1853	Clamp-Hose .....	1
7	109-0678	Hose.....	1

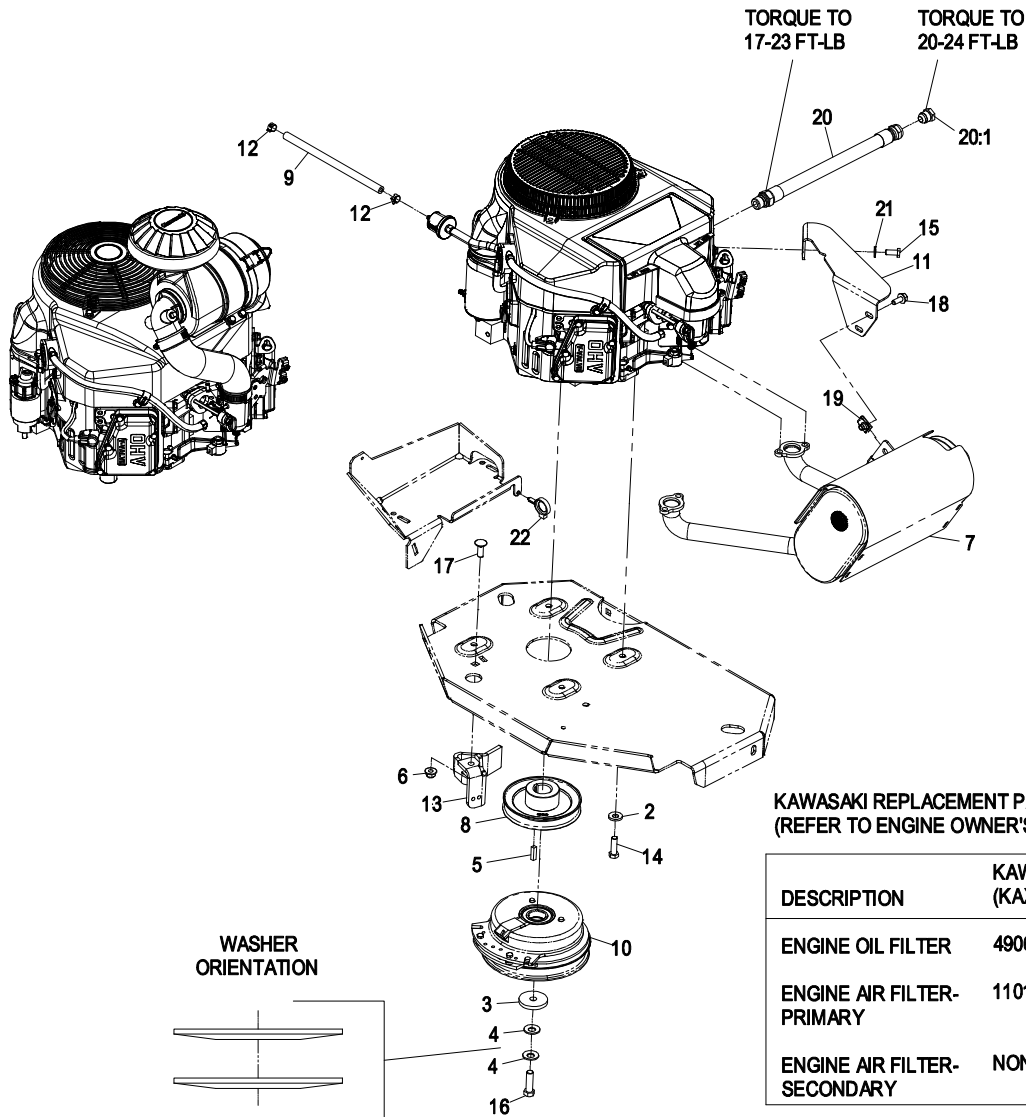
# FUEL TANK ASSEMBLY – 116-2035



Item	Part No.	Description	Qty.
2	46-6560	Bushing .....	2
3	116-2459	Kit, Fuel Line With Grommet .....	1
4	116-2288	Fitting, 90 Elbow .....	1
5	116-2251	Cap, Fuel .....	1
6	1-603770	Valve, Fuel .....	1

Item	Part No.	Description	Qty.
7	109-0650	Hose, Fuel .....	1
8	2412-98	Clamp, Hose .....	2
9	116-1981	Sender, Fuel 8 Gal .....	1
10	3253-17	Washer, Lock .....	5
11	9107944	Screw, Pan 10-24 X 3/4 .....	5

# ENGINE GROUP – 20HP KAWASAKI



KAWASAKI REPLACEMENT PARTS LIST  
(REFER TO ENGINE OWNER'S MANUAL)

DESCRIPTION	KAWASAKI PART (KAX)	KAWASAKI PART (KAS)
ENGINE OIL FILTER	49065-7007	49065-7007
ENGINE AIR FILTER-PRIMARY	11013-7048	11013-7049
ENGINE AIR FILTER-SECONDARY	NONE	11013-7046

Item	Part No.	Description	Qty.
2	98-5975	Washer, Spring Disc 3/8.....	4
3	109-6919	Washer, Clutch .....	1
4	1-603610	Washer, Spring Disc 7/16.....	2
5	1-807259	Key, Machine 1/4 x 1/4 x 1 .....	1
6	104-8301	Nut, Nyloc 3/8-16 Flg.....	1
7	116-2117	Muffler.....	1
8	116-1946	Sheave, Pump Drive .....	1
9	110-3447	Hose, Fuel .....	1
10	116-1947	Clutch .....	1
11	116-2157	Bracket, Muffler .....	1
12	2412-98	Clamp, Hose.....	2

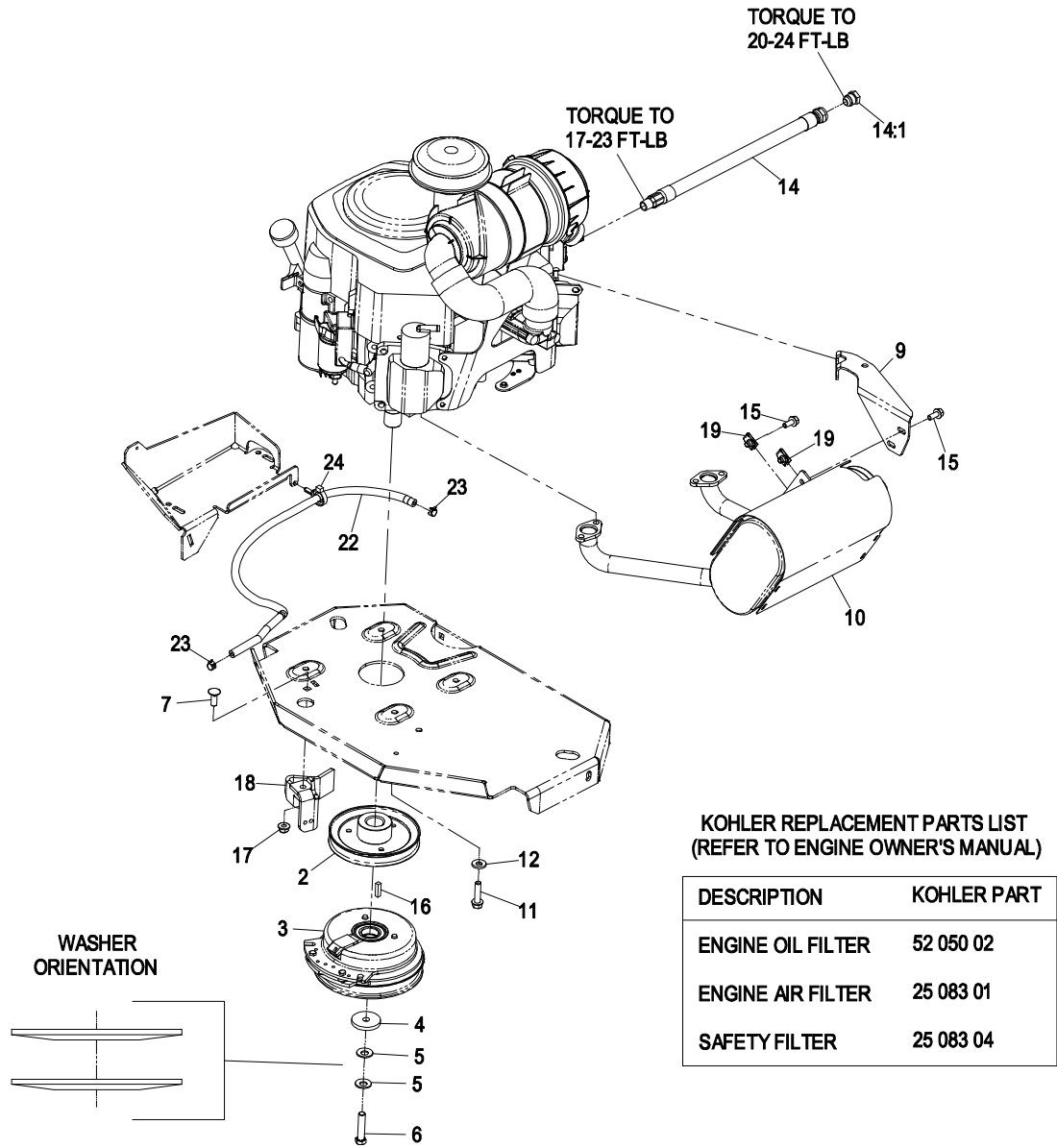
Item	Part No.	Description	Qty.
13	116-2612-01	Clutch, Anchor .....	1
14	323-7	Screw, HH 3/8-16 x 1 1/4.....	4
15	33114-020	Screw, HH M8-1.25 x 20mm.....	1
16▲	109-9761	Screw, HH 7/16-20 x 1 1/2 W/Loctite.....	1
17	3231-22	Bolt, Carriage 3/8-16 x 1 .....	1
18	3234-5	Screw, HH FLG 5/16-18 x 3/4.....	2
19	94-2413	U-Nut.....	2
20	109-4490	Asm, Oil Drain Hose W/Plug.....	1
20:1	109-1012	Plug.....	1
21	1-303334	Washer, Spring .....	1
22	105-1853	Clamp, Hose .....	1

Exmark red touch up paint (spray paint – P/N 1-850337 - .6 oz liquid bottle – P/N 103-9140)

▲ Use Pro-Lock, Nut Type (P/N 1-840022, .5ml tube) on clutch bolt.



# ENGINE GROUP – 27HP KOHLER



**KOHLER REPLACEMENT PARTS LIST  
(REFER TO ENGINE OWNER'S MANUAL)**

DESCRIPTION	KOHLER PART
ENGINE OIL FILTER	52 050 02
ENGINE AIR FILTER	25 083 01
SAFETY FILTER	25 083 04

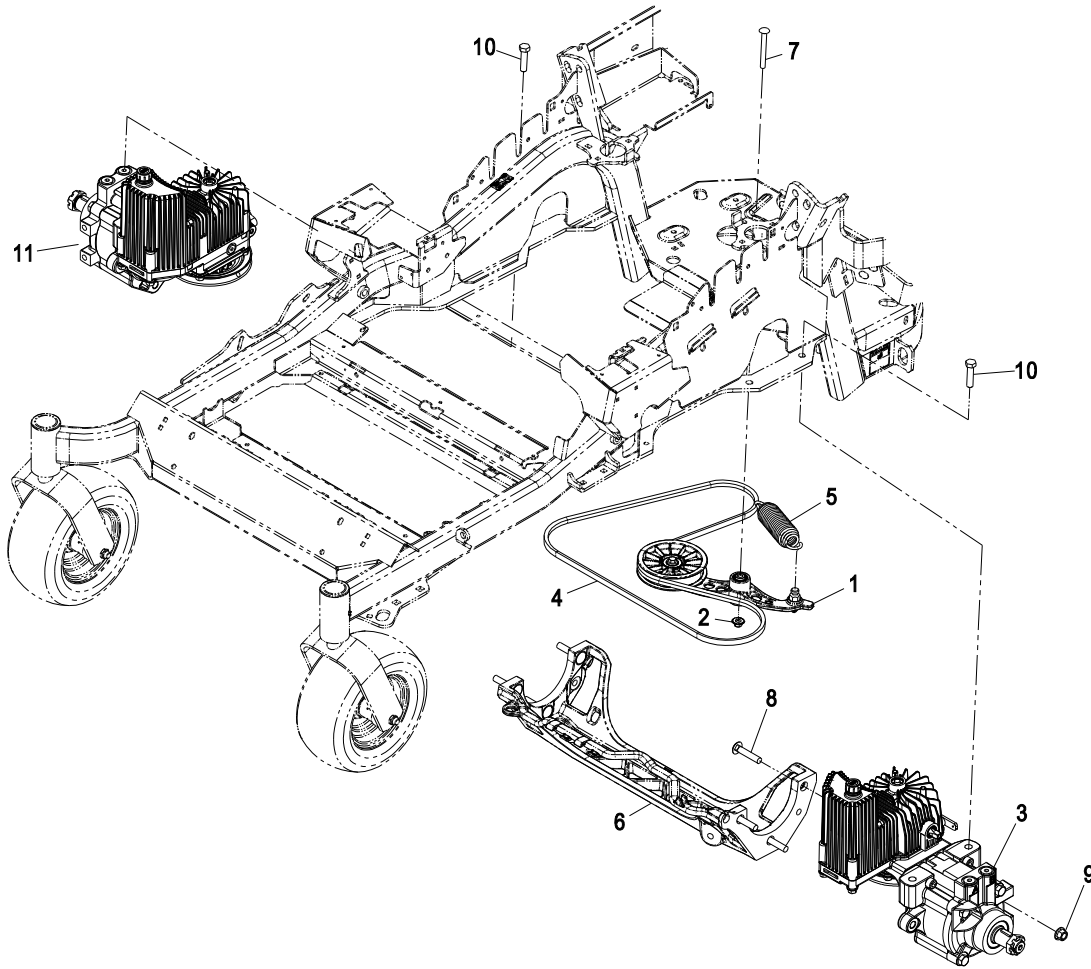
Item	Part No.	Description	Qty.
2	109-9905	Sheave .....	1
3	116-1620	Kit, Clutch CMS 200 .....	1
4	109-6919	Washer, Clutch .....	1
5	1-603610	Washer, Spring Disc 7/16.....	2
6▲	109-9762	Screw, HH 7/16-20 x 2 W/Loctite .....	1
7	3231-22	Bolt, Carriage 3/8-16 x 1.....	1
9	116-2360	Bracket, Muffler .....	1
10	116-1713	Muffler.....	1
11	32144-102	Screw, HWH 3/8-16 X 1 1/2 Taptite .....	4
12	98-5975	Washer, Spring Disc 3/8.....	4
14+	116-0013	Asm, Oil Drain Hose.....	1

Item	Part No.	Description	Qty.
14:1	109-1012	Plug.....	1
15	3234-5	Screw, HH FLG 5/16-18 x 3/4 .....	3
16	1-807259	Key, Machine 1/4 x 1/4 x 1.....	1
17	104-8301	Nut, Nyloc 3/8-16 Flg .....	2
18	116-2612-01	Anchor, Clutch.....	1
19	94-2413	U-Nut.....	3
22	109-0286	Hose, Fuel Line 35".....	1
23	2412-98	Clamp, Hose .....	2
24	105-1853	Clamp, Hose .....	1
27	1-303435	Washer, Spring Disc 1/4 .....	1
28	33113-020	Screw, HH M6-1 x 12mm.....	1

Exmark red touch up paint (spray paint – P/N 1-850337 - .6 oz liquid bottle – P/N 103-9140)

- +
  - ▲
- Use Teflon Pipe Sealant or equivalent on threads.  
Use Pro-Lock, Nut Type (P/N 1-840022, .5ml tube) on clutch bolt.

# HYDRAULIC GROUP



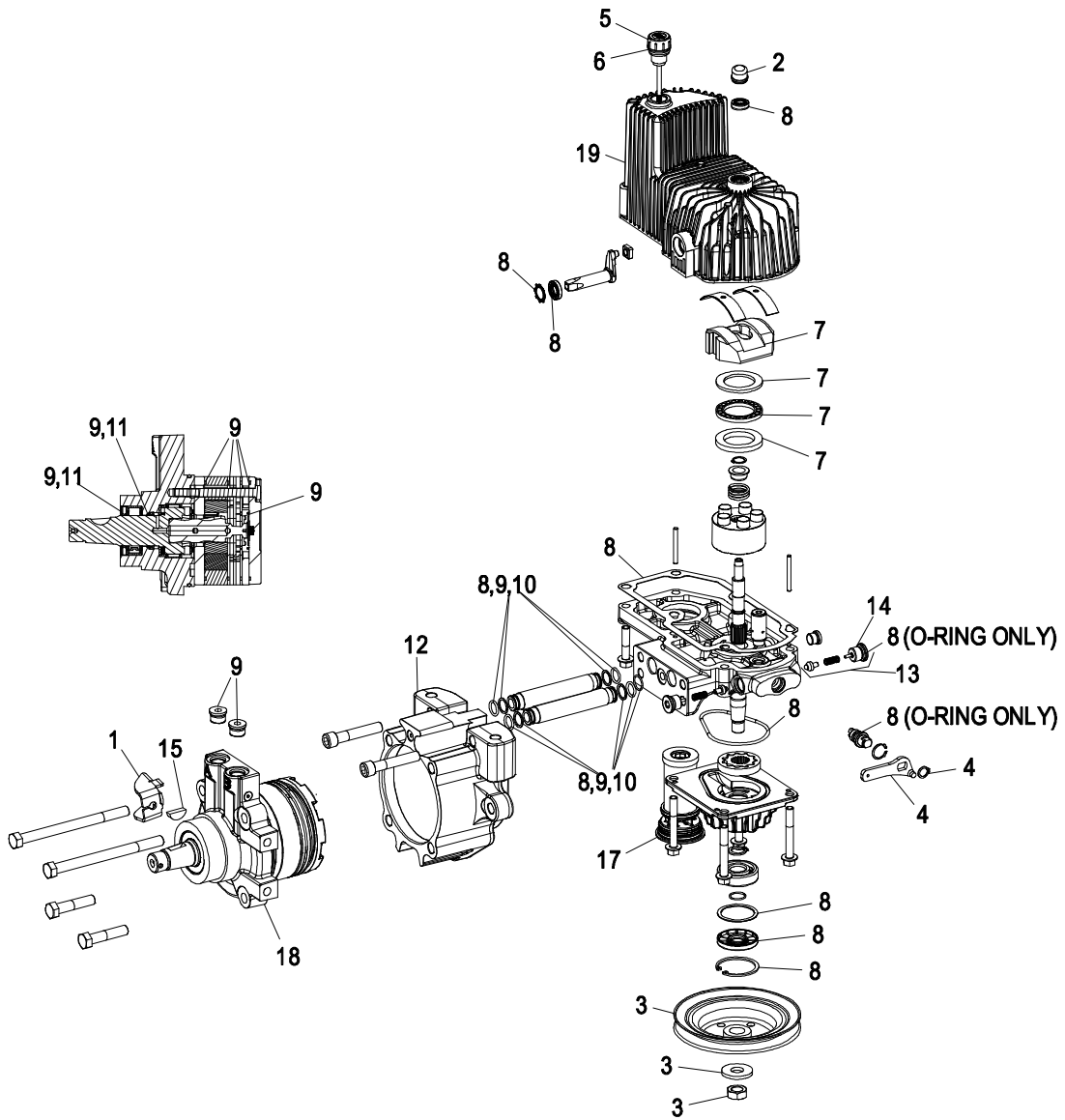
Item	Part No.	Description	Qty.
1	116-1255	Asm, Pump Idler.....	1
2	109-6658	Nut, Nyloc 3/8-16 Flg.....	1
3	116-2976	Hydro, LH 12CC No Fan .....	1
4	116-1953	Belt, V .....	1
5	116-0133	Spring, Extension .....	1
6	109-9375	Cradle, Machined Hydro.....	1
7	116-1502	Bolt-Carriage .....	1

Item	Part No.	Description	Qty.
8	3233-34	Bolt, Carriage 1/2-13 x 2 1/2 .....	6
9	99-5107	Nut, Lock 1/2-13.....	6
10	325-8	Screw, HH 1/2-13 x 1 1/4.....	4
11	116-2977	Hydro, RH 12CC No Fan .....	1
12+	109-9828	Oil, Exmark Premium Hydro (32 oz) .....	4
13+	116-1218	Oil, Exmark Premium Hydro (1 gal) .....	1
■+	116-3282	Kit, Hydro Service .....	1

⊕ Not shown

■ Kit contains: (1) V-Belt, (4) Exmark Premium Hydro Oil 32 oz Bottles, and (2) Hydro filters

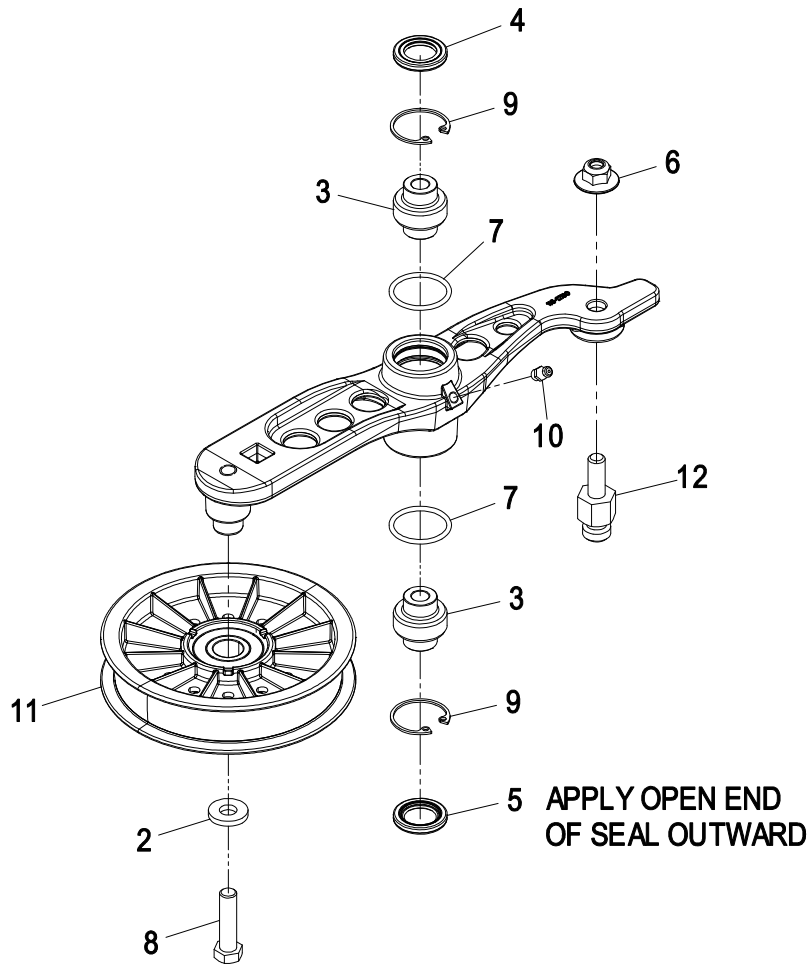
# HYDRAULIC GROUP



Item	Part No.	Description	Qty.
1	116-1758	Bracket, Anchor Cable .....	1
2	116-3052	Cover, Shaft.....	1
3	116-0234	Kit, Pulley Hydro .....	1
4	116-0235	Handle, Bypass Valve Hydro.....	1
5	116-0236	Dipstick, Hydro W/Gasket.....	1
6	116-0237	Gasket, Dipstick Hydro .....	1
7	116-1367	Kit, Swash Block Hydro .....	1
8	116-1368	Kit, Pump Seal Hydro .....	1
9	116-1369	Kit, Motor Seal Hydro .....	1
10	116-1370	Kit, Tube Seal Hydro .....	1

Item	Part No.	Description	Qty.
11	116-1371	Kit, Output Shaft Seal Hydro .....	1
12	116-2992	Cup, Nose Hydro.....	1
13	116-1630	Asm, Check Valve.....	1
14	116-1631	Check Plug W/O-Ring .....	1
15	3257-42	Key, Woodruff 5/16 x 1.....	1
17	116-0164	Filter, Hydro.....	1
18	116-3050	Motor, Wheel LH – Dry 240cc.....	1
	116-3051	Motor, Wheel RH – Dry 240cc .....	1
19	116-3287	Housing, LH .....	1
	116-3288	Housing, RH.....	1

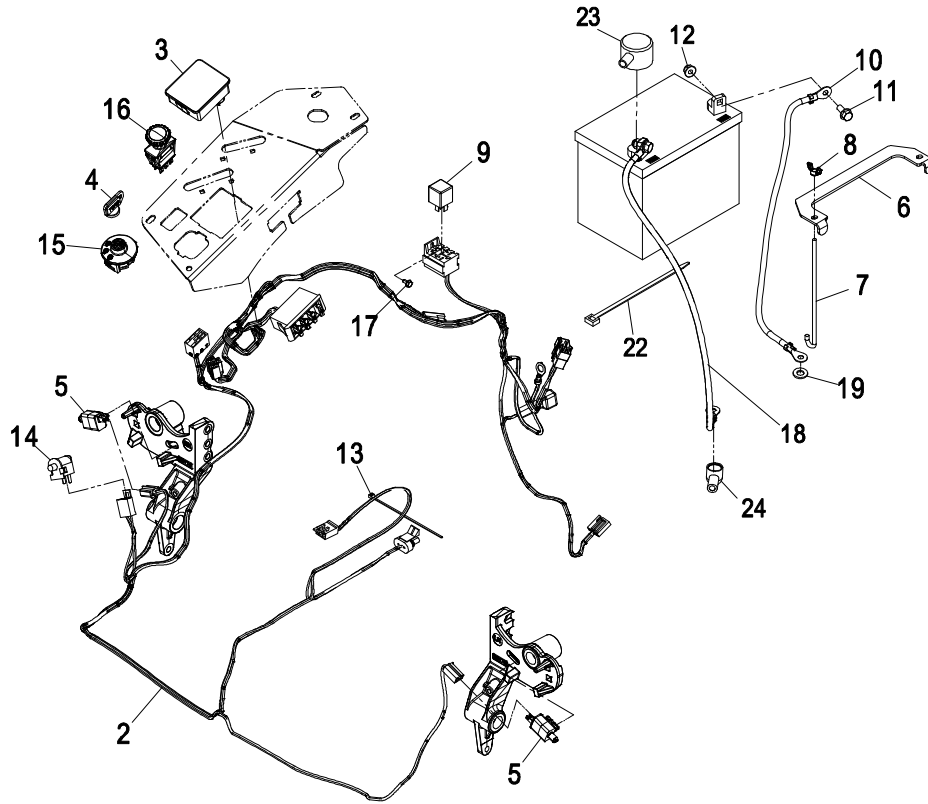
# PUMP IDLER ASSEMBLY – 116-1255



Item	Part No.	Description	Qty.
2	43-0940	Spacer-Hub, Blower .....	1
3	103-3504	Bearing, Spherical .....	2
4	103-3505	Seal, Double Lip .....	1
5	103-3506	Seal, Single Lip .....	1
6	109-6658	Nut, Nyloc 3/8-16 Flg.....	1
7	106-7159	O-Ring.....	2

Item	Part No.	Description	Qty.
8	323-8	Screw, HH 3/8-16 x 1 1/2.....	1
9	32120-10	Ring, Retaining.....	2
10	302-19	Zerk, 1/4-28 Str .....	1
11	109-8076	Pulley, Idler 5" X 1" Nylon .....	1
12	109-7399	Pin, Spring Anchor .....	1

# ELECTRICAL GROUP



Item	Part No.	Description	Qty.
2▲	115-2796	Harness-Wire, Main (Air-Cooled) .....	1
2:1	103-3895	Diode-TVS .....	1
2:2	218-578	Fuse-10 Amp .....	1
2:3	109355	Fuse-15 Amp .....	1
2:4	109102	Fuse-25 Amp .....	2
2:5	116-0053	Cap-Plug.....	1
3	116-0916	Fuel/Hour Meter Asm .....	1
4	1-603511	Key, Ignition.....	1
	103-2106	Key, Exmark Logo .....	1
5	110-6765	Switch-Single Pole N.O. ....	2
6	116-0042-03	Strap-Tie Down, Battery .....	1
7	1-633651	Bolt-Holddown .....	2
8	1-543792	Wingnut, Nyloc 1/4-20 .....	2
9	1-643275	Relay, 12VDC 40 Amp .....	1

Item	Part No.	Description	Qty.
10	114-1218	Cable-Battery, Negative .....	1
11	3234-5	Screw, HH FLG 5/16-18 x 3/4 .....	2
12	104-8300	Nut, Nyloc 5/16-18 Flg .....	2
13	1-303287	Tie, Cable 5 1/2 (Small) .....	3
14	82-2190	Switch.....	1
15	116-0229	Switch, Ignition .....	1
16	116-0124	Switch, PTO 10A.....	1
17	104-2065	Screw, HWH #10-24 x 3/8.....	1
18	115-3864	Cable-Battery, Positive.....	1
19	3256-24	Washer, 3/8 SAE.....	1
22	1-303335	Tie, Cable 7 15/16 (Large) .....	1
23	109-2407	Insulator, Solenoid .....	1
24	1-543393	Insulator, Battery .....	1

Exmark black touch up spray paint - gloss black.

▲ Use dielectric grease on all wiring harness connectors.

# DECAL GROUP

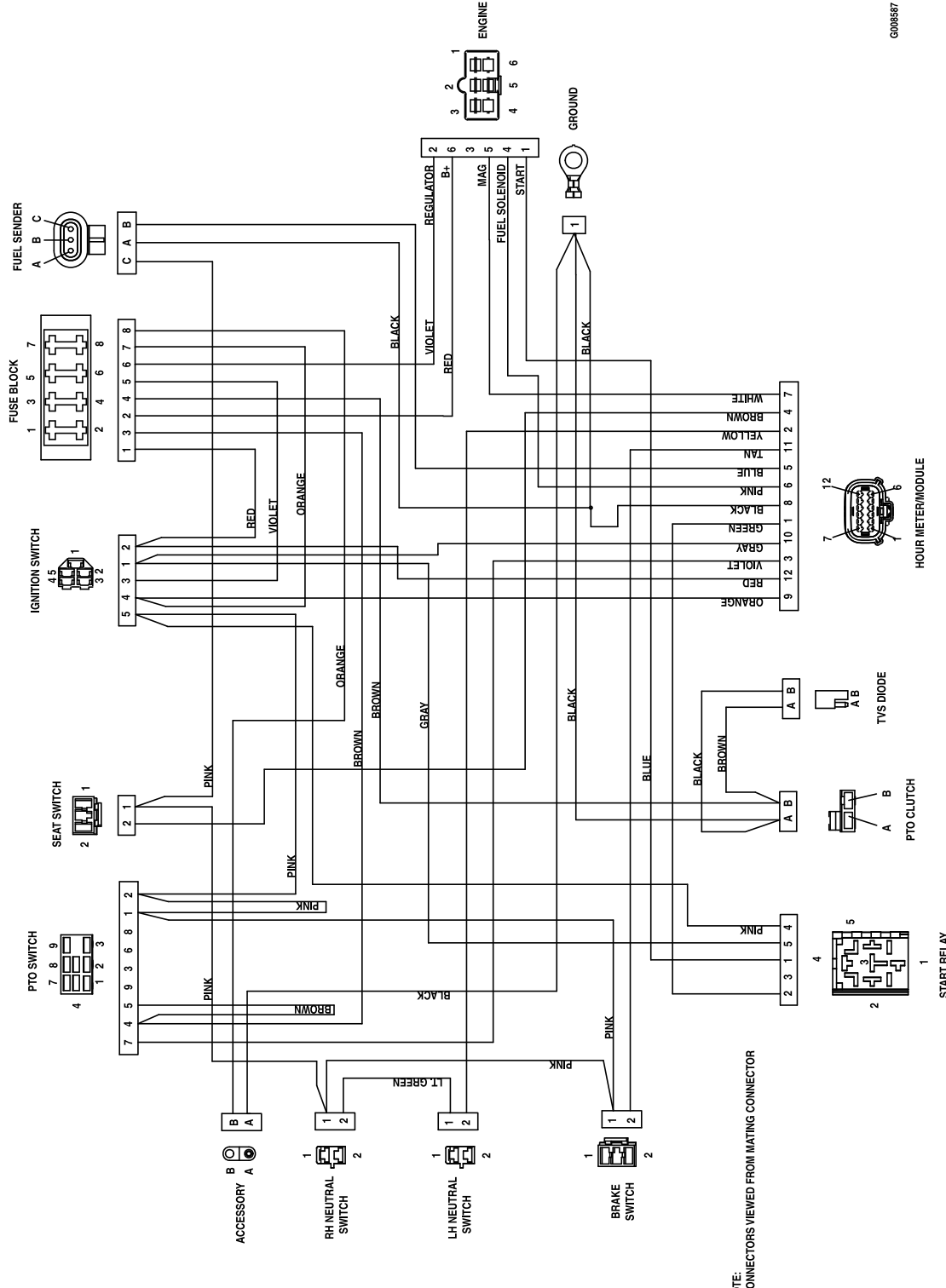


Item	Part No.	Description	Qty.
1	109-7069	Decal, Console .....	1
2	107-2102	Decal, ROPS Folding .....	1
3	1-403005	Decal, Danger.....	2
4	109-3148	Decal, Bolt Torque.....	1
5	107-2112	Decal, Warning Slope.....	1
6	1-303508	Decal, Discharge Warning.....	1
7	116-0205	Decal, Belt Drive.....	2
8	98-5954	Decal, Danger.....	2
9	109-7232	Decal, Motion Control.....	2
10	103-2076	Decal, Hot Surface .....	3
11	116-2927	Decal, Cut of Height .....	1
12	1-633922	Decal, Anti-Scalp .....	1
13	116-0211	Decal, Service Aid .....	1
14	109-7929	Decal, Park Brake .....	1

Item	Part No.	Description	Qty.
15	109-8483	Decal, Control Panel .....	1
16	117-2718	Decal, Spark Arrester.....	1
17	116-1654	Decal, Fuel Fill .....	1
18	116-0165	Decal, Wheel Hub .....	2
19	116-2643	Decal, Wheel Hub .....	2
20	109-7330	Decal, Fuse .....	1
21	103-2883	Decal, Exmark Logo.....	2
22	116-2630	Decal, Belt Routing .....	1
23	116-0033	Decal, UltraCut 48 Series 4.....	1
24	116-0034	Decal, UltraCut 52 Series 4.....	1
25	109-9439	Decal, UltraCut 60 Series 4.....	1
26	116-0026	Decal, Lazer AS .....	1
27	103-2882	Decal, Exmark Logo.....	1

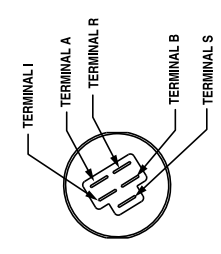
# ELECTRICAL DIAGRAM

G106587



IGNITION SWITCH

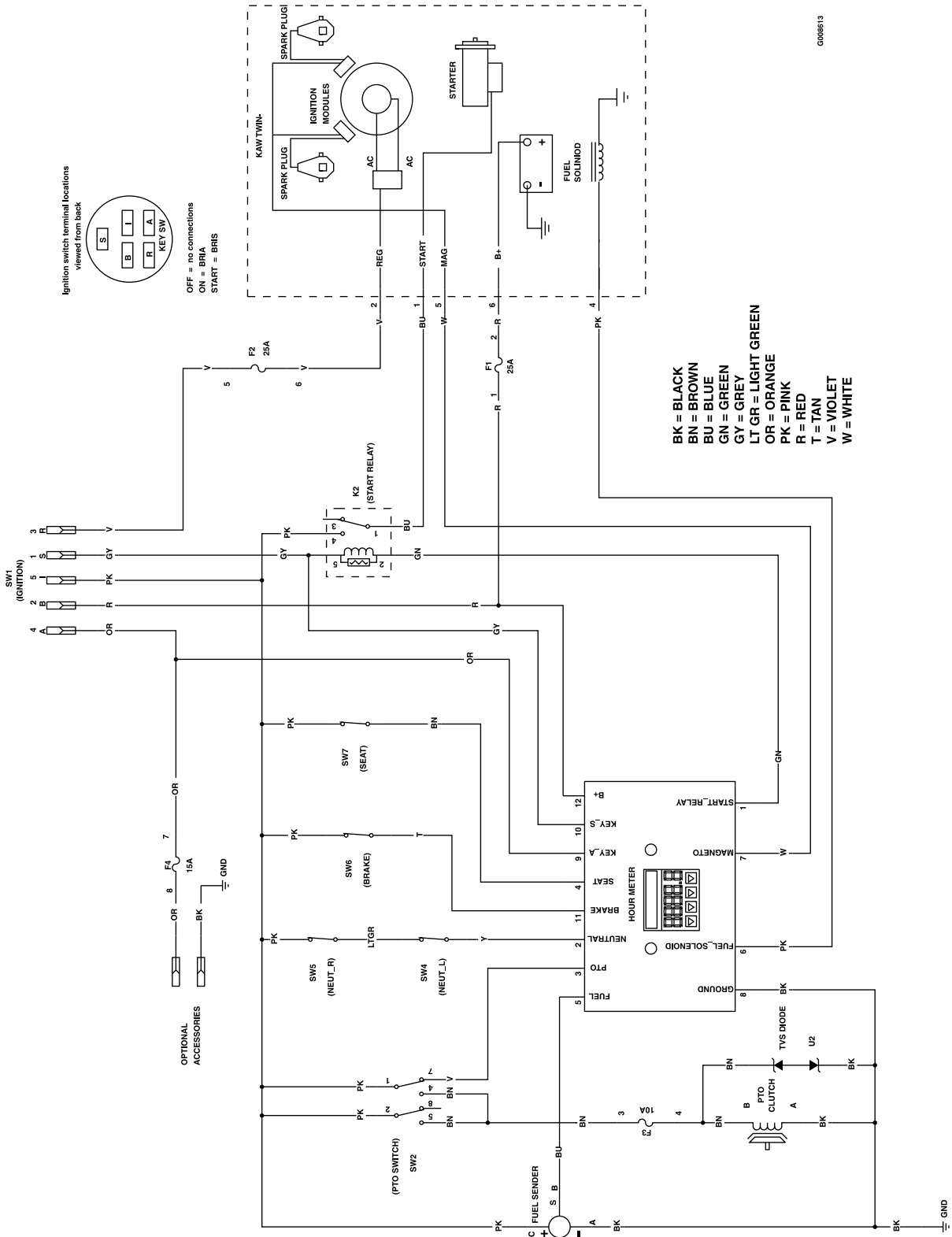
TERMINAL	CONNECTIONS
TERMINAL A	ACCESSORY
TERMINAL B	BATTERY
TERMINAL I	IGNITION
TERMINAL R	RECTIFIER
TERMINAL S	START



POSITION	CIRCUIT "MAKE"
1. OFF	NONE
2. RUN	B + R + I + A
3. START	B + R + I + S

NOTE: CONNECTORS VIEWED FROM MATING CONNECTOR

# ELECTRICAL LOGIC SCHEMATIC



CG08613

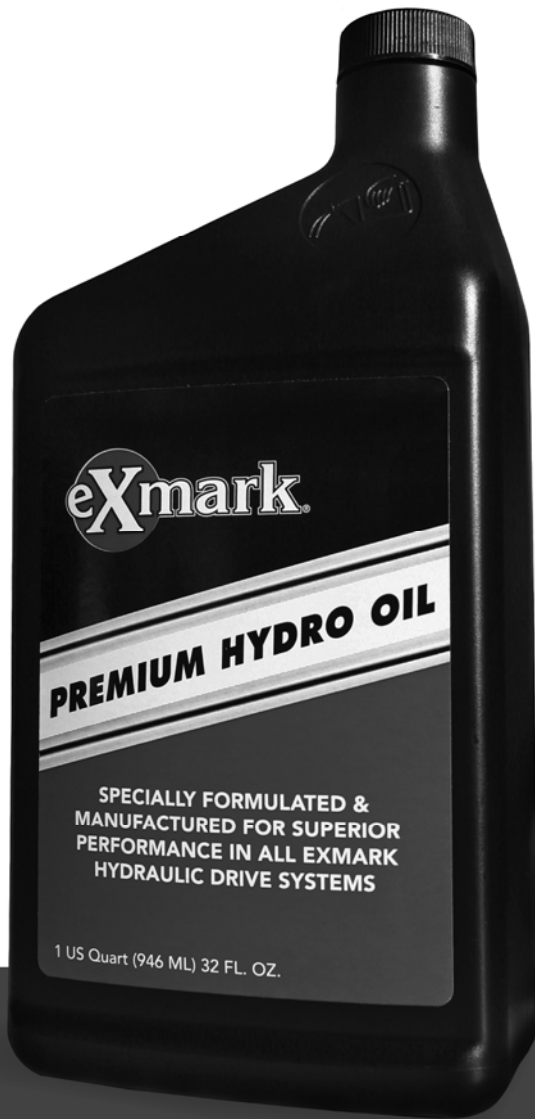


## NOTES

## SERVICE RECORD

Date	Description of Work Done	Service Done By

# NEW EXMARK PREMIUM HYDRO OIL



## BENEFITS

- Designed & manufactured with superior anti-wear protection
- Superior thermal stability
- Consistent hydro performance
- Superior shear resistance under heavy loads
- Field tested & proven performance
- Twice the shear stability of competing oils
- Enhanced control performance
- Specially formulated for any Exmark hydraulic system

**NOW AVAILABLE  
FOR PURCHASE**

Part No. 109-9828



# SEE EXMARK'S COMPLETE LINE OF ACCESSORIES

## MID-MOUNT RIDING ACCESSORIES

CUSTOM RIDE SEAT SUSPENSION SYSTEM	OPERATOR CONTROLLED DISCHARGE
FULL SUSPENSION SEAT	ROLL OVER PROTECTION SYSTEM (ROPS)
DECK LIFT ASSIST KIT	SUN SHADE
HITCH KIT	TRASH CONTAINER
LIGHT KIT	TURF STRIPER
12V POWER PORT	ULTRA VAC COLLECTION SYSTEM
MICRO-MULCH SYSTEM	ULTRA VAC QUICK DISPOSAL SYSTEM

## OUT-FRONT RIDING ACCESSORIES

CUSTOM RIDE SEAT SUSPENSION SYSTEM	SNOW BLADE
DUAL-TAIL WHEEL	SNOWBLOWER
FLOOR PAN EXTENDER	SUN SHADE
HITCH KIT	TRASH CONTAINER
LIGHT KIT	ULTRA VAC COLLECTION SYSTEM
MICRO-MULCH SYSTEM	ULTRA VAC QUICK DISPOSAL SYSTEM
ROLL OVER PROTECTION SYSTEM (ROPS)	WEATHER CAB

## WALK-BEHIND ACCESSORIES

GRASS CATCHER	TURF STRIPER
MICRO-MULCH SYSTEM	STANDON

Place Model No. and Serial No.  
Label Here (Included in the Literature  
Pack or Fill in Below)

Model No. \_\_\_\_\_

Serial No. \_\_\_\_\_

Date Purchased \_\_\_\_\_

Engine Model No. and Spec. No. \_\_\_\_\_

Engine Serial No. (E/No) \_\_\_\_\_

© 2011 Exmark Mfg. Co., Inc.  
Industrial Park Box 808  
Beatrice, NE 68310  
All Rights Reserved

Part No. 4500-567 Rev. D  
(402) 223-6300  
Fax (402) 223-5489  
Printed In USA



[www.exmark.com](http://www.exmark.com)