

Installing the Enterasys Wireless Outdoor AP3660



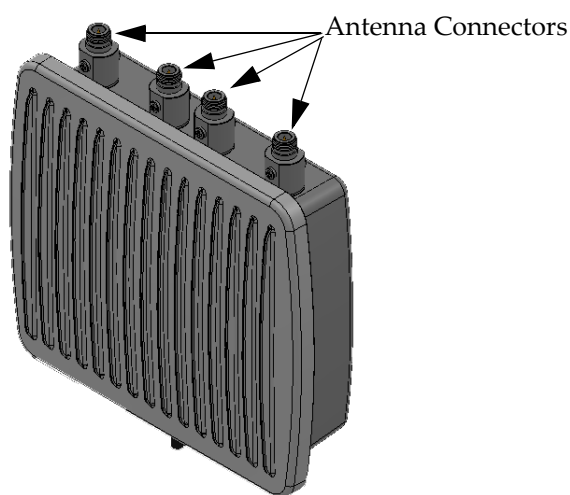
Electrical Hazard: Only qualified personnel should perform installation procedures.

For complete installation instructions and information about the Enterasys Wireless Outdoor AP3660, see the *Enterasys Wireless Outdoor AP3660 Installation Guide* at <http://www.enterasys.com/support/manuals>.

Overview of the Enterasys Wireless Outdoor AP3660

The Enterasys Wireless Outdoor AP enables you to extend your Wireless LAN beyond the boundaries of indoor locations. They are resistant to harsh outdoor conditions and extreme temperatures. Using the advanced wireless distribution mesh feature of Enterasys Wireless LAN, the Enterasys Wireless Outdoor AP3660 can extend your Wireless LAN to outdoor locations without Ethernet cabling. A mounting bracket is available to enable quick and easy mounting of the Enterasys Wireless Outdoor APs to walls and poles.

Figure 1 Enterasys Wireless Outdoor AP3660



The Enterasys Wireless Outdoor AP3660 supports the 902.11n, 802.11a, 802.11g, and full backward compatibility with legacy 802.11b devices. The Enterasys Wireless Outdoor AP3660 with external antenna connectors supports a variety of antennas, providing range and coverage versatility.

The Enterasys Wireless Outdoor AP3660 interoperates fully with Enterasys Wireless LAN, including support for VoWLAN, branch office mode, guest services, RTLS, availability and mobility features.

Unpacking the Enterasys Wireless Outdoor AP3660

Unpack the AP from its carton. The following components are supplied with the Enterasys Wireless Outdoor AP3660 package

- 1 mounting bracket
- 2 stainless steel tie back straps that support pole diameters up to 4 inches
- 4 M6 screws
- 4 washers

- 4 spring washers
- 1 ground screw
- RJ45 waterproof connector assembly
- A printed copy of the *Enterasys Wireless Outdoor Access Point Quick Reference - AP3660*



Note: Before you start mounting the Enterasys Wireless Outdoor AP3660, read the Safety Guidelines below.

Mounting and Connecting the Enterasys Wireless Outdoor AP3660

Mounting and connecting the Enterasys Wireless Outdoor AP3660 can be accomplished easily and safely by following the instructions in the full *Enterasys Wireless Outdoor Access Point AP3660 Installation Guide*. The installation of the Outdoor AP should be performed by a professional installer to ensure proper operation and compliance with safety guidelines.

Mounting the Outdoor AP3660:

1. Attach the mounting bracket to the AP3660 using four M6 screws and washers. You can attach the bracket to the AP in either the vertical or horizontal position as shown in Figures 2 and 3.

Figure 2 Mounting Bracket - Vertical Position

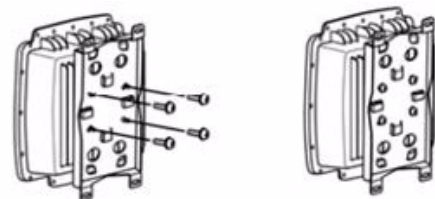
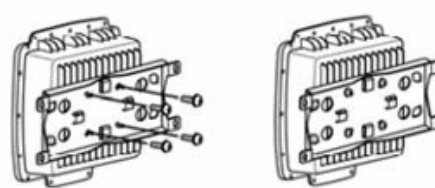


Figure 3 Mounting Bracket - Horizontal Position



2. You can mount the AP3660 to either a pole or a wall:
 - a. To mount the AP3660 with the attached mounting bracket to a pole, use the supplied stainless steel tie back straps. You can mount the AP3660 to a pole in one of three possible configurations, as shown in Figures 4, 5, and 6.

Figure 4 AP3660 - Pole Mount Option 1



Figure 5 AP3660 - Pole Mount Option 2

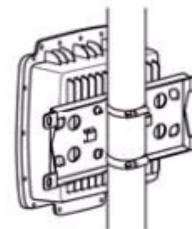
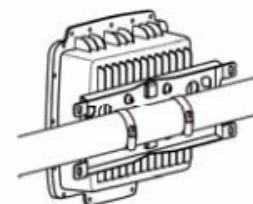
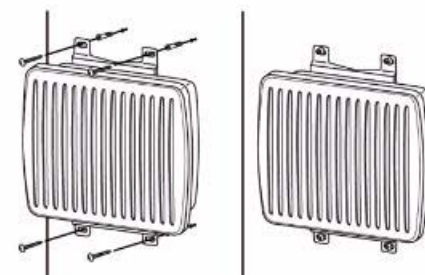


Figure 6 AP3660 - Pole Mount Option 3



- b. Mount the AP3660 and the attached mounting bracket to a wall using four wood/gyprock screws as shown in Figure 7.

Figure 7 AP3660 - Wall Mount



3. Install the external antenna intended for area coverage. For information about antenna selection and installation, refer to the *External Antenna Site Preparation and Installation Guide*.
4. Attach the external antenna cables to the RP-N connectors on the AP.

Connecting and powering the AP

You can power up the AP in one of the following ways:

• Power over Ethernet: Adding PoE injector

You can provide power to the Ethernet cable with a PoE injector. The PoE injector must be 802.3at compliant. The PoE injector is not provided with the AP. A waterproof RJ45 connector is provided to connect the PoE injector to the AP3660. You must connect the RJ45 connector to the RJ45 cable. For instructions, refer to the full *Enterasys Wireless Outdoor Access Point AP3660 Installation Guide*.

• Power by external power supply:

You can purchase an external power supply unit (WS-PS3660-MR) to power the AP. See your Enterasys sales representative for details.

For power supply installation instructions, refer to the *Enterasys Wireless Outdoor Access Point AP3660 Installation Guide*.

Regulatory and Compliance information

Federal Communications Commission (FCC) Notice:

This device complies with Part 15 of the FCC rules. Operation is subject to the following two conditions: (1) this device may not cause harmful interference, and (2) this device must accept any interference received, including interference that may cause undesired operation.



Warning: Changes or modifications made to this device which are not expressly approved by the party responsible for compliance could void the user's authority to operate the equipment

Industry Canada Notice:

This digital apparatus does not exceed the Class B limits for radio noise emissions from digital apparatus set out in the Radio Interference Regulations for the Canadian Department of Communications.

Le présent appareil numérique n'émet pas de bruits radioélectriques dépassant les limites applicables aux appareils numériques de la class B prescrites dans le Règlement sur le brouillage radioélectrique édicté par le ministère des Communications du Canada.

Refer to the HiPath Wireless Controller, Access Points, and Convergence Software User Guide Installation Guide, Appendix B, "Regulatory information," for complete regulatory information.

Safety Guidelines

This section contains notices that you have to adhere to ensure your personal safety and to prevent any damage to the equipment.

Qualified Personnel:



Electrical Hazard: Only qualified personnel should perform installation procedures. Within the context of the safety notes in this documentation qualified persons are defined as persons who are authorized to commission, ground and label devices, systems and circuits in accordance with established safety practices and standards. A qualified person understands the requirements risks involved with installing outdoor electrical equipment in accordance with national codes.

Grounding Warning:



Warning: To operate the Enterasys Wireless Outdoor AP3660 safely, the chassis ground connector must have a suitable cable connected. Do not use the Enterasys Wireless Outdoor AP3660 without a ground cable connected.

Lightning Protection Warning:



Warning: Antennas installed outdoors must be within the area covered by a lightning protection system. Make sure that all conducting systems entering from outdoors can be protected by a lightning protection potential equalization system. When implementing your lightning protection concept, make sure you adhere to the VDE 0182 or IEC 62305 standard.

The AP3660 has a built-in lightning protector; no external lightning protector is required. You must however note that the lightning protector is not an adequate protection against a lightning strike. The lightning protector only works within the framework of a comprehensive lightning protection concept. If you have questions, ask a qualified specialist company.

Hazardous Substances

This product complies with the requirements of European Directive, 2002/95/EC, Restriction of Hazardous Substances (RoHS) in Electrical and Electronic Equipment.

European Waste Electrical and Electronic Equipment (WEEE) Notice



In accordance with Directive 2002/96/EC of the European Parliament on waste electrical and electronic equipment (WEEE):

1. The symbol above indicates that separate collection of electrical and electronic equipment is required and that this product was placed on the European market after August 13, 2005, the date of enforcement for Directive 2002/96/EC.
2. When this product has reached the end of its serviceable life, it cannot be disposed of as unsorted municipal waste. It must be collected and treated separately.
3. It has been determined by the European Parliament that there are potential negative effects on the environment and human health as a result of the presence of hazardous substances in electrical and electronic equipment.
4. It is the users' responsibility to utilize the available collection system to ensure WEEE is properly treated. For information about the available collection system, please go to www.enterasys.com/services/support/ or contact Enterasys Customer Support at 353 61 705586 (Ireland).

Declaration of Conformity

A "Declaration of Conformity" in accordance with the preceding directives and standards has been made and is on file at Dell Inc. Products Europe BV, Limerick, Ireland.

Notice

Enterasys Networks reserves the right to make changes in specifications and other information contained in this document and its Web site without prior notice. The reader should in all cases consult Enterasys Networks to determine whether any such changes have been made.

The hardware, firmware, or software described in this document is subject to change without notice.

IN NO EVENT SHALL Enterasys Networks BE LIABLE FOR ANY INCIDENTAL, INDIRECT, SPECIAL, OR CONSEQUENTIAL DAMAGES WHATSOEVER (INCLUDING BUT NOT LIMITED TO LOST PROFITS) ARISING OUT OF OR RELATED TO THIS DOCUMENT, WEB SITE, OR THE INFORMATION CONTAINED IN THEM, EVEN IF Enterasys Networks HAS BEEN ADVISED OF, KNEW OF, OR SHOULD HAVE KNOWN OF, THE POSSIBILITY OF SUCH DAMAGES.

Enterasys Networks, Inc.
50 Minuteman Road
Andover, MA 01810

© 2010 Enterasys Networks, Inc. All rights reserved.
Part Number: 9034581 September 2010

ENTERASYS and ENTERASYS NETWORKS and any logos associated therewith, are trademarks or registered trademarks of Enterasys Networks, Inc., in the United States and/or other countries. For a complete list of Enterasys trademarks, see <http://www.enterasys.com/company/trademarks.aspx>.

All other product names mentioned in this document may be trademarks or registered trademarks of their respective companies.

Enterasys Wireless

Outdoor Access Point

Quick Reference

AP3660

产品说明书附件

Supplement to Product Instructions

部件名称 (Parts)	有毒有害物质或元素 (Hazardous Substance)					
	铅 (Pb)	汞 (Hg)	镉 (Cd)	六价铬 (Cr ⁶⁺)	多溴联苯 (PBB)	多溴二苯醚 (PBDE)
金属部件 (Metal Parts)	×	○	○	×	○	○
电路模块 (Circuit Modules)	×	○	○	×	○	○
电缆及电缆组件 (Cables & Cable Assemblies)	×	○	○	×	○	○
塑料和聚合物部件 (Plastic and Polymeric parts)	○	○	○	○	○	×
电路开关 (Circuit Breakers)	○	○	×	×	○	○

○: 表示该有毒有害物质在该部件所有均质材料中的含量均在 SJ/T 11363-2006 标准规定的限量要求以下。
Indicates that the concentration of the hazardous substance in all homogeneous materials in the parts is below the relevant threshold of the SJ/T 11363-2006 standard.

×: 表示该有毒有害物质至少在该部件的某一均质材料中的含量超出 SJ/T 11363-2006 标准规定的限量要求。
Indicates that the concentration of the hazardous substance of at least one of all homogeneous materials in the parts is above the relevant threshold of the SJ/T 11363-2006 standard.

对销售之日的所售产品, 本表显示, 供供应链的电子产品信息产品可能包含这些物质。注意: 在所售产品中可能会也可能不会含有所有列出的部件。
This table shows where these substances may be found in the supply chain of Enterasys' electronic information products, as of the date of sale of the enclosed product. Note that some of the component types listed above may or may not be a part of the enclosed product.

除非另外特别的标注, 此标志为针对所涉产品的环保使用期标志。某些零部件会有一个不同的环保使用期(例如, 电池单元模块)贴在其产品上。
此环保使用期限只适用于产品是在产品手册中所规定的条件下工作。
The Environmentally Friendly Use Period (EFUP) for all enclosed products and their parts are per the symbol shown here, unless otherwise marked. Certain parts may have a different EFUP (for example, battery modules) and so are marked to reflect such. The Environmentally Friendly Use Period is valid only when the product is operated under the conditions defined in the product manual.



Installing the Enterasys Wireless Outdoor AP3660 Power Supply



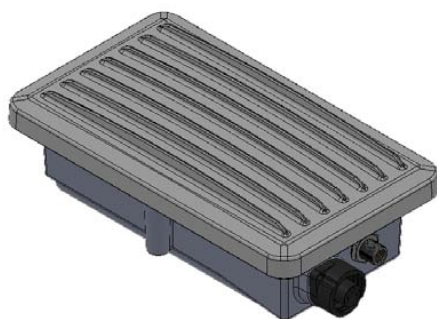
Electrical Hazard: Only qualified personnel should perform installation procedures.

For complete installation instructions and information about the Enterasys Wireless Outdoor AP3660 power supply, see the *Enterasys Wireless Outdoor AP3660 Installation Guide* at <http://www.enterasys.com/support/manuals>.

Overview of the Outdoor AP3660 Power Supply

The Enterasys Wireless Outdoor AP3660 power supply provides power to the Enterasys Wireless Outdoor AP3660 which enables you to extend your Wireless LAN beyond the boundaries of indoor locations. The power supply is resistant to harsh outdoor conditions and extreme temperatures. A mounting bracket is provided to enable quick and easy mounting of the HiPath Wireless Outdoor AP3660 power supply to walls and poles.

Figure 1 Enterasys Wireless Outdoor AP3660 Power Supply



Specifications:

- AC Input Frequency Range: 50-60Hz, 1A Max
- AC Input Voltage Range: 100-240 VAC
- Output Voltage: +12Vdc
- Output Current: 3.33 A max

Unpacking the Enterasys Wireless Outdoor AP3660 Power Supply

The following components are supplied with the Enterasys Wireless Outdoor AP3660 power supply package:

- 1 mounting bracket
- 2 stainless steel tie back straps that support pole diameters up to 4 inches
- 4 M5 screws
- 4 washers
- 4 spring washers
- 1 ground screw
- 1 DC to DC cable
- 1 AC adapter
- A printed copy of the *Enterasys Outdoor Access Point Quick Reference - Power Supply*



Note: Before you start mounting the Enterasys Wireless Outdoor AP3660 power supply, read the Safety Guidelines below.

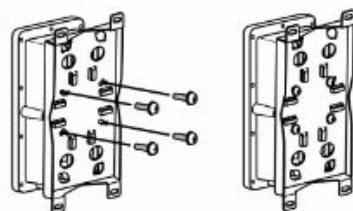
Mounting and Connecting the Outdoor AP3660 Power Supply

Mounting and connecting the Enterasys Wireless Outdoor AP3660 power supply can be accomplished easily and safely by following the instructions in the full *Enterasys Wireless Outdoor Access Point AP3660 Installation Guide*. The installation of the Outdoor AP power supply should be performed by a professional installer to ensure proper operation and compliance with safety guidelines.

Mounting the Outdoor AP3660 Power Supply:

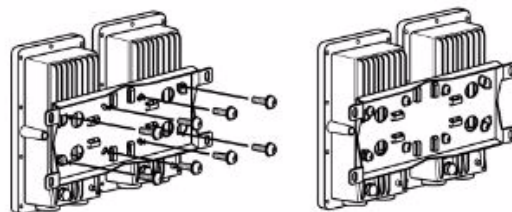
1. Attach the mounting bracket to the AP3660 power supply using four screws per power supply. You can attach the bracket to the power supply in either the vertical or horizontal position, as shown in Figures 2 and 3.

Figure 2 Mounting Bracket - Vertical Position



In the horizontal position, you can attach two power supplies to one bracket, as shown in Figure 3.

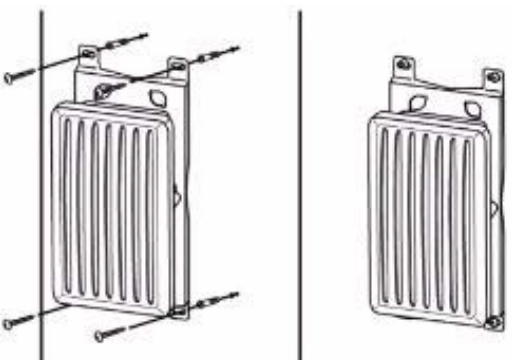
Figure 3 Mounting Bracket - Horizontal Position



2. You can mount the AP3660 power supply to either a pole or a wall:

- a. To mount the AP3660 power supply and the attached mounting bracket to a wall, use four wood/gyprock screws, as shown in Figure 4.

Figure 4 Power Supply - Wall Mount



- b. To mount the AP3660 power supply with the attached mounting bracket to a pole, use the supplied stainless steel mounting straps, as shown in Figures 5, 6, and 7.

Figure 5 AP3660 Power Supply - Pole Mount Option 1

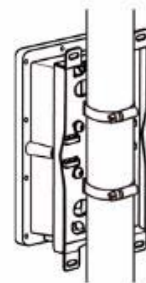


Figure 6 AP3660 Power Supply - Pole Mount Option 2

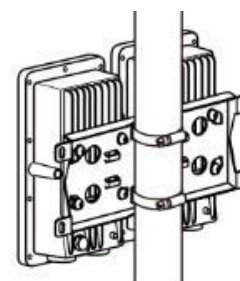
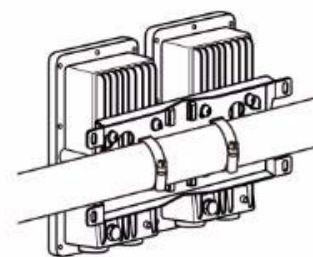


Figure 7 AP3660 Power Supply - Pole Mount Option 3

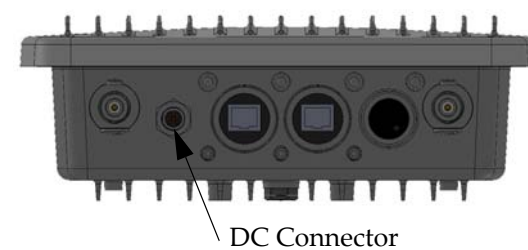


Cabling the Power Supply

To connect the power supply to the AP3660:

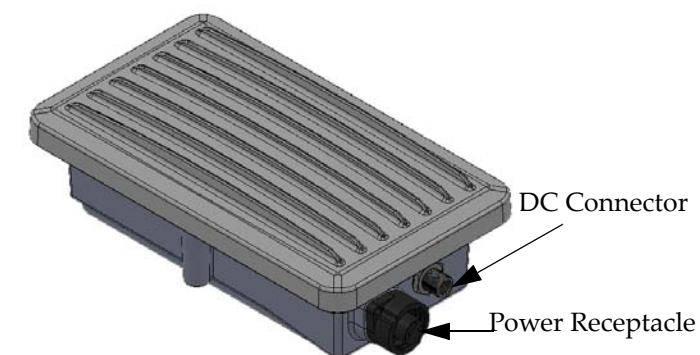
1. Locate the DC to DC cable.
2. Insert one end of the DC to DC cable into the DC connector on the bottom of the AP3660. Screw on and hand tighten the knurled knob securely.

Figure 8 DC Connector on AP3660 Back Panel



3. Insert one end of the DC to DC cable into the DC connector on the bottom of the AP3660 power supply. Screw on and hand tighten the knurled knob securely.

Figure 9 DC Connector on the Power Supply



4. Insert the AC adapter into the power receptacle on the power supply. Screw on and hand tighten the knurled knob securely.



Note: Using the supplied AC adapter, you must create your own power cord. For instructions, refer to the full *Enterasys Wireless Outdoor Access Point AP3660 Installation Guide*.

5. Insert the plug into the power source.

Regulatory and Compliance information

Federal Communications Commission (FCC) Notice:

This device complies with Part 15 of the FCC rules. Operation is subject to the following two conditions: (1) this device may not cause harmful interference, and (2) this device must accept any interference received, including interference that may cause undesired operation.



Warning: Changes or modifications made to this device which are not expressly approved by the party responsible for compliance could void the user's authority to operate the equipment

Industry Canada Notice:

This digital apparatus does not exceed the Class B limits for radio noise emissions from digital apparatus set out in the Radio Interference Regulations for the Canadian Department of Communications.

Le présent appareil numérique n'émet pas de bruits radioélectriques dépassant les limites applicables aux appareils numériques de la class B prescrites dans le Règlement sur le brouillage radioélectrique édicté par le ministère des Communications du Canada.

Refer to the HiPath Wireless Controller, Access Points, and Convergence Software User Guide Installation Guide, Appendix B, "Regulatory information," for complete regulatory information.

Safety Guidelines

This section contains notices that you have to adhere to ensure your personal safety and to prevent any damage to the equipment.

Qualified Personnel:

Electrical Hazard: Only qualified personnel should perform installation procedures. Within the context of the safety notes in this documentation qualified persons are defined as persons who are authorized to commission, ground and label devices, systems and circuits in accordance with established safety practices and standards. A qualified person understands the requirements risks involved with installing outdoor electrical equipment in accordance with national codes.

Grounding Warning:

Warning: To operate the Enterasys Wireless Outdoor AP3660 safely, the chassis ground connector must have a suitable cable connected. Do not use the Enterasys Wireless Outdoor AP3660 without a ground cable connected.

Line Voltage Warning:

Warning: If the housing is not perfectly sealed, there is a danger to life due to the line voltage if the Enterasys Wireless AP3660 Power Supply is subjected to spray water or dampness. Make sure that you keep to the following safety rules:

- Before connecting, turn off the power supply
- The sealing of the cable feedthroughs of the Enterasys Wireless Outdoor Power Supply is only assured when the cable has a suitable diameter and adequate tensile strength. Only use cables that meet the specifications as mentioned in the *Enterasys Wireless Outdoor Power Supply Installation Guide*.
- Never wrap insulating tape or other materials around thinner cables to achieve the required diameter. In the case, neither the housing seal nor the strain relief clamps can fulfil their function.

Close all unused openings in the housing seal with the sealing plugs supplied with the Enterasys Wireless Outdoor AP Power Supply package. Do not use fillers or any other material under any circumstances.

产品说明书附件**Supplement to Product Instructions**

部件名称 (Parts)	有毒有害物质或元素 (Hazardous Substance)					
	铅 (Pb)	汞 (Hg)	镉 (Cd)	六价铬 (Cr ⁶⁺)	多溴联苯 (PBB)	多溴二苯醚 (PBDE)
金属部件 (Metal Parts)	×	○	○	×	○	○
电路模块 (Circuit Modules)	×	○	○	×	○	○
电缆及电缆组件 (Cables & Cable Assemblies)	×	○	○	×	○	○
塑料和聚合物部件 (Plastic and Polymeric parts)	○	○	○	○	○	×
电路开关 (Circuit Breakers)	○	○	×	×	○	○

○: 表示该有害物质在该部件所有均质材料中的含量均在 SJ/T 11363-2006 标准规定的限量要求以下。
Indicates that the concentration of the hazardous substance in all homogeneous materials in the parts is below the relevant threshold of the SJ/T 11363-2006 standard.

×: 表示该有害物质至少在该部件的某一均质材料中的含量超出 SJ/T 11363-2006 标准规定的限量要求。
Indicates that the concentration of the hazardous substance of at least one of all homogeneous materials in the parts is above the relevant threshold of the SJ/T 11363-2006 standard.

对销售之日的所售产品, 本表显示, 凯创供应链的电子产品信息可能包含这些物质。注意: 在所售产品中可能会也可能不会含有所有列出的部件。
This table shows where these substances may be found in the supply chain of Enterasys' electronic information products, as of the date of sale of the enclosed product. Note that some of the component types listed above may or may not be a part of the enclosed product.

除非另外特别的标注, 此标志为针对所涉产品的环保使用期标志。某些零部件会有一个不同的环保使用期(例如, 电池单元模块)贴在其产品上。
此环保使用期限只适用于产品是在产品手册中所规定的条件下工作。
The Environmentally Friendly Use Period (EFUP) for all enclosed products and their parts are per the symbol shown here, unless otherwise marked. Certain parts may have a different EFUP (for example, battery modules) and so are marked to reflect such. The Environmentally Friendly Use Period is valid only when the product is operated under the conditions defined in the product manual.

**Hazardous Substances**

This product complies with the requirements of European Directive, 2002/95/EC, Restriction of Hazardous Substances (RoHS) in Electrical and Electronic Equipment.

European Waste Electrical and Electronic Equipment (WEEE) Notice

In accordance with Directive 2002/96/EC of the European Parliament on waste electrical and electronic equipment (WEEE):

1. The symbol above indicates that separate collection of electrical and electronic equipment is required and that this product was placed on the European market after August 13, 2005, the date of enforcement for Directive 2002/96/EC.
2. When this product has reached the end of its serviceable life, it cannot be disposed of as unsorted municipal waste. It must be collected and treated separately.
3. It has been determined by the European Parliament that there are potential negative effects on the environment and human health as a result of the presence of hazardous substances in electrical and electronic equipment.
4. It is the users' responsibility to utilize the available collection system to ensure WEEE is properly treated. For information about the available collection system, please go to www.enterasys.com/services/support/ or contact Enterasys Customer Support at 353 61 705586 (Ireland).

Declaration of Conformity

A "Declaration of Conformity" in accordance with the preceding directives and standards has been made and is on file at Dell Inc. Products Europe BV, Limerick, Ireland.

Notice

Enterasys Networks reserves the right to make changes in specifications and other information contained in this document and its Web site without prior notice. The reader should in all cases consult Enterasys Networks to determine whether any such changes have been made.

The hardware, firmware, or software described in this document is subject to change without notice.

IN NO EVENT SHALL ENTERASYS NETWORKS BE LIABLE FOR ANY INCIDENTAL, INDIRECT, SPECIAL, OR CONSEQUENTIAL DAMAGES WHATSOEVER (INCLUDING BUT NOT LIMITED TO LOST PROFITS) ARISING OUT OF OR RELATED TO THIS DOCUMENT, WEB SITE, OR THE INFORMATION CONTAINED IN THEM, EVEN IF ENTERASYS NETWORKS HAS BEEN ADVISED OF, KNEW OF, OR SHOULD HAVE KNOWN OF, THE POSSIBILITY OF SUCH DAMAGES.

Enterasys Networks, Inc.
50 Minuteman Road
Andover, MA 01810

© 2010 Enterasys Networks, Inc. All rights reserved.
Part Number: 9034582 September 2010

ENTERASYS and ENTERASYS NETWORKS and any logos associated therewith, are trademarks or registered trademarks of Enterasys Networks, Inc., in the United States and/or other countries. For a complete list of Enterasys trademarks, see <http://www.enterasys.com/company/trademarks.aspx>.

All other product names mentioned in this document may be trademarks or registered trademarks of their respective companies.

Enterasys Wireless

Outdoor Access Point

Quick Reference

Power Supply



FCC Statement

Federal Communication Commission Interference Statement

This equipment has been tested and found to comply with the limits for a Class B digital device, pursuant to Part 15 of the FCC Rules. These limits are designed to provide reasonable protection against harmful interference in a residential installation. This equipment generates, uses and can radiate radio frequency energy and, if not installed and used in accordance with the instructions, may cause harmful interference to radio communications. However, there is no guarantee that interference will not occur in a particular installation. If this equipment does cause harmful interference to radio or television reception, which can be determined by turning the equipment off and on, the user is encouraged to try to correct the interference by one of the following measures:

- Reorient or relocate the receiving antenna.
- Increase the separation between the equipment and receiver.
- Connect the equipment into an outlet on a circuit different from that to which the receiver is connected.
- Consult the dealer or an experienced radio/TV technician for help.

FCC Caution: Any changes or modifications not expressly approved by the party responsible for compliance could void the user's authority to operate this equipment.

This device complies with Part 15 of the FCC Rules. Operation is subject to the following two conditions: (1) This device may not cause harmful interference, and (2) this device must accept any interference received, including interference that may cause undesired operation.

For product available in the USA/Canada market, only channel 1~11 can be operated. Selection of other channels is not possible.

This device and its antenna(s) must not be co-located or operation in conjunction with any other antenna or transmitter.

IMPORTANT NOTE:

FCC Radiation Exposure Statement:

This equipment complies with FCC radiation exposure limits set forth for an uncontrolled environment. This equipment should be installed and operated with minimum distance 100cm between the radiator & your body.