

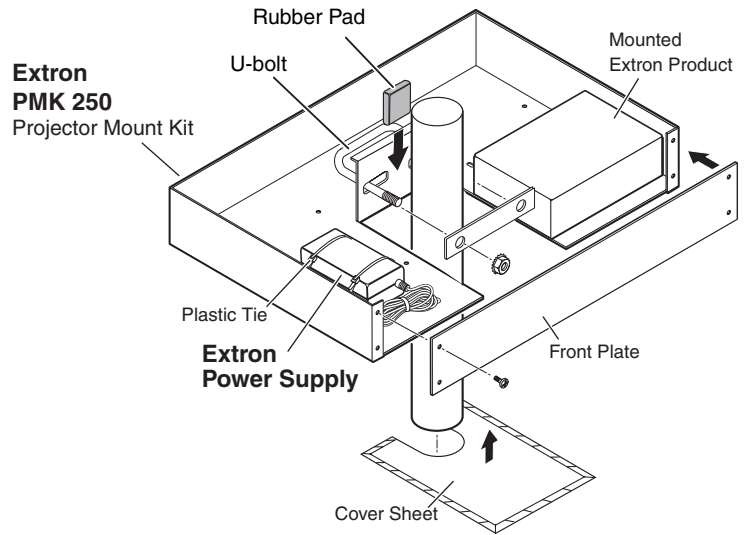
PMK 250 Projector Mount Kit Instruction Card

Part #70-526-02 and 70-526-03

The PMK 250 Low Profile Projector Mount Kit is an above-projector mounting kit that can hold up to two quarter-rack width products, or one product and one power supply.

Each kit consists of a steel mounting bracket that is available in black (part #70-526-02) or white (part #70-526-03), a square U-bolt with a mounting brace plate, and an assortment of adhesive-backed cover sheets (in black or white) in four different sizes to cover the bottom opening of the bracket.

The bracket attaches to a 1" to 2" diameter projector mounting pole. Its low, 2-inch height allows it to be mounted in tight spaces between the projector and the ceiling, while its depth of 8.75" enables it to accommodate a variety of device sizes.



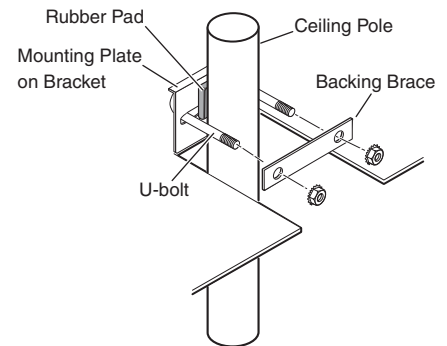
PMK 250 with an Extron product and power supply mounted

Mounting to the Projector Pole

Mount products on the PMK 250 bracket as follows:

1. Remove the front panel from the PMK 250, using an Extron Tweezer (provided) or other small Philips screwdriver. (Retain the four screws to reattach the plate when finished.)
2. Remove the protective backing from the self-adhesive rubber pad, and place the pad on the PMK 250 mount plate, centering it between the two holes (see drawing at right).
3. Remove any rubber feet from the bottom of the device(s) to be mounted.

4. Secure a device to one side of the mounting bracket, using two of the supplied 4-40 x 3/16 screws in opposite (diagonal) corners.
5. If a power supply is connected to the device, use the two included tie wraps to strap the power supply to the bracket; or attach a second device, as described in step 4.
6. Place the bracket around the projector ceiling mounting pole as shown at right.
7. Insert the two legs of the square U-bolt through the slotted holes on the back side of the bracket mount plate, place them around the ceiling pole, then insert the two legs through the round holes on the backing brace.
 - **For a typical (1.5" to 2.0" diameter) pole** — You can use the supplied square U-bolt, which fits a typical ceiling pole.
 - **For a smaller pole** — Locally obtain a square U-bolt that fits your ceiling pole. The slotted holes on the bracket can accommodate a square U-bolt for pole sizes from 1.0" to 2.0" in diameter.
8. Move the PMK 250 up to the desired location on the ceiling pole, as close to the ceiling as desired.
9. Secure the back brace to the square U-bolt using the included hex nuts, washers, and lock washers. Tighten the hex nuts securely.



Attaching the square U-bolt

CAUTION

Be sure to tighten the hex nuts securely enough that the PMK 250 does not slide down the ceiling pole. A socket wrench is recommended to tighten the hex nuts.

10. Secure the front panel to the mounting tray with four of the included #6 screws.
11. If desired, choose one of the four sizes of self-adhesive cover sheets, and apply it to the underside of the mounting tray.



Extron Electronics, USA
1230 South Lewis Street
Anaheim, CA 92805
USA
714.491.1500
Fax 714.491.1517

Extron Electronics, Europe
Beeldschermweg 6C
3821 AH Amersfoort
The Netherlands
+31.33.453.4040
Fax +31.33.453.4050

Extron Electronics, Asia
135 Joo Seng Road, #04-01
PM Industrial Building
Singapore 368363
+65.6383.4400
Fax +65.6383.4664

Extron Electronics, Japan
Kyodo Building
16 Ichibancho
Chiyoda-ku, Tokyo 102-0082 Japan
+81.3.3511.7655
Fax +81.3.3511.7656

68-1124-01, Rev. A
08 05