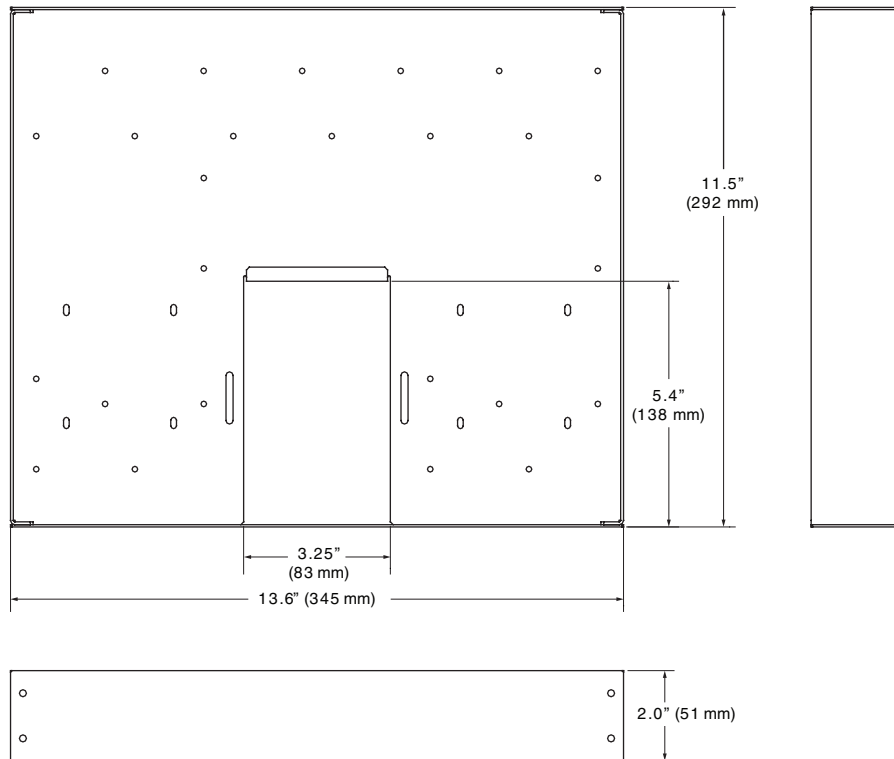
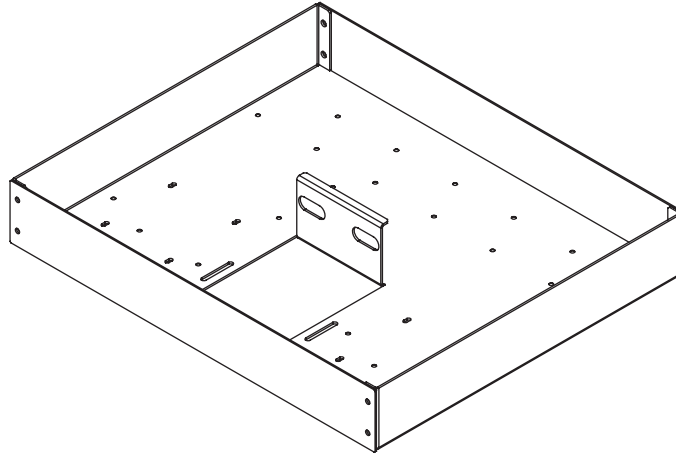


Specifications — PMK 350

General

Mounting	Mountable to a 1.5"-2.0" diameter (o.d.) pipe
Maximum load capacity	10 lbs (4.5 kg)
Material	Steel
Enclosure dimensions	2.0" H x 13.6" W x 11.4" D 5.1 cm H x 34.5 cm W x 29.0 cm D



Product weight	3.6 lbs (1.6 kg)
Shipping weight	6 lbs (3 kg)
Vibration	ISTA 1A in carton (International Safe Transit Association)
Compliances	CE
Warranty	3 years parts and labor

NOTE Specifications are subject to change without notice.

(7.53-102507-D1)