

Operation:

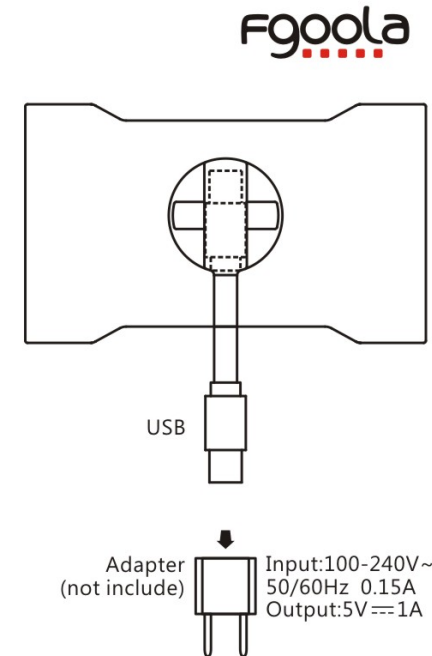
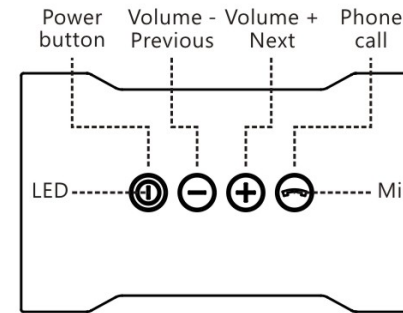
1. Press the "power" button for three seconds, and the machine will be turned on, the LED flashing blue lights and automatically beginning pairing. You can find the model name "Fesh" in your device.
2. Press the "power" button for three seconds again, and the machine will be turned off.
3. Press the "power" button, the music will play or pause.
4. Press the "Volume -" button for three seconds, with indicative sounds, the volume will be smaller.
5. Press the "Volume +" button for three seconds, with indicative sounds, the volume will be bigger.
6. Press the "Volume -" button, your device will play the previous music.
7. Press the "Volume +" button, your device will play the next music.
8. Press the "Phone call" button for three seconds, it will connect the iPhone Siri.
9. Press the "Phone call" button, it will receive a call or hang up a call.

Charge:

1. When LED is flashing red lights (at the same time with a warning sound), you should charge it in time.
2. Pull out the USB from the bottom and connect the USB with other adapter or computer, and the charge will begin. Now the LED turns red.
3. When the charging is finished, the red LED turns off.
4. If you charge the battery and at the same time you play the music, the charging time will be longer.

Note:

1. Charging time and duration are theoretical.
2. Charging time is different with different adapter.
3. Duration refers to light music playing time, actual duration depends on what kind of music you're playing.
4. The attached USB cable is only used for this product, if used for other product, it might cause danger.
5. There may be some difference between picture and real, please refer to the real product.
6. When charging, also playing music, if it automatically shuts down, it means the battery power is low, you should charge first.
7. Don't fix by yourself, otherwise cause danger.
8. Product is subject to change without notice.



Federal Communications Commission (FCC) Statement

This device complies with part 15 of the FCC Rules. Operation is subject to the following two conditions: (1) This device may not cause harmful interference, and (2) this device must accept any interference received, including interference that may cause undesired operation.

Note: This equipment has been tested and found to comply with the limits for a Class B digital device, pursuant to part 15 of the FCC Rules. These limits are designed to provide reasonable protection against harmful interference in a residential installation. This equipment generates, uses and can radiate radio frequency energy and, if not installed and used in accordance with the instructions, may cause harmful interference to radio communications. However, there is no guarantee that interference will not occur in a particular installation. If this equipment does cause harmful interference to radio or television reception, which can be determined by turning the equipment off and on, the user is encouraged to try to correct the interference by one or more of the following measures:

- Reorient or relocate the receiving antenna.
- Increase the separation between the equipment and receiver.
- Connect the equipment into an outlet on a circuit different from that to which the receiver is connected.
- Consult the dealer or an experienced radio/TV technician for help.

Warning: Changes or modifications made to this device not expressly approved by **SHENZHEN FGOOLA TECHNOLOGY CO., LTD.** may void the FCC authorization to operate this device.

Note: The manufacturer is not responsible for any radio or tv interference caused by unauthorized modifications to this equipment. Such modifications could void the user's authority to operate the equipment.