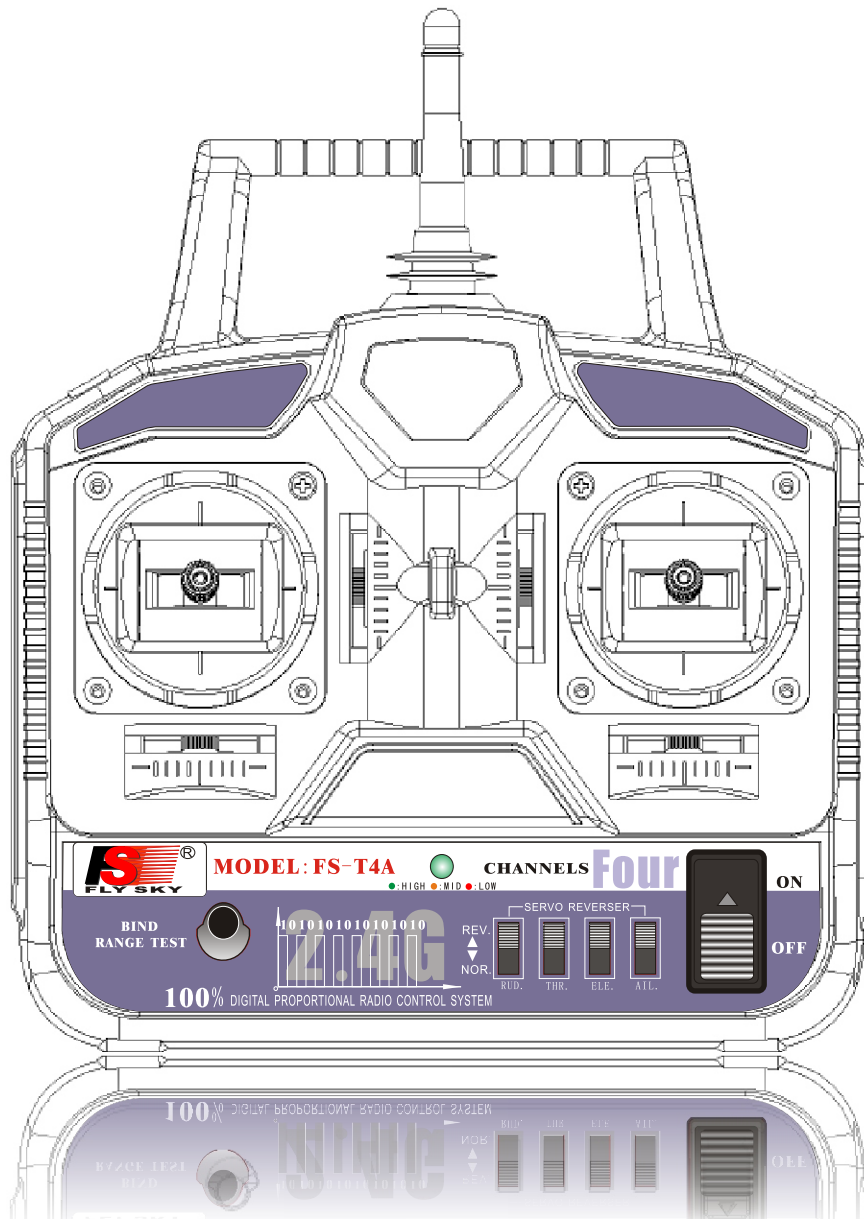




4 CHANNEL RADIO CONTROL SYSTEM

INSTRUCTION MANUAL



MODEL:FS-T4B

Digital propotional radio control system

Http:www. flyskychina. com
Copy right 2007@flysky co. , ltd

Menu

1. Introduction.	2
2. Services.	2
3. The special symbols.	3
4. safty guides.	3
5. Power charging.	4
6. Transmitter parameters.	5
7. Receiver parameters.	5
8. Each part of the transmitter.	6
9. Receiver and server connectivity.	7
10. 2. 4G Operation Notes.	8
10. 01 Matching.	8
10. 02 Boot.	8
10. 03 Shutdown.	9
11. Functional Description.	10
11. 01. 1Channel function description.	10
11. 02. 3Channel function description.	10
11. 03. 2Channel function description.	11
11. 04. 4Channel function description.	11
12 Professional terminology.	12
13 Packaging with content list.	13

1.Introduction

Thank you for choosing 2.4 G ratio remote control digital products, if you are the first time to use this type of products, please read this statement carefully and strictly in accordance with the requirements of operation. You could refer to the Manual if you meet any problems during the operation. Please well keep the manual after use because you might have to use it again next time. Once again, thanks for buying our products, and hope that it brings happiness to you.


2.Services


If you found any problems during the operation process, please refer to the manual. If the problem still exist, you could contact our dealers to found out the way to solve. And you could also log on to our website service center:


[HTTP: WWW. FLYSKYCHINA. COM](http://www.flyskychina.com)

3. The special symbols

Please pay attention to the following symbols when it appear on the manual, and read carefully.

 **Danger:** If the operator does not operate by following the instructions, the operator may lead to serious injuries, even Mortal danger.

 **Warning:** If the operator does not operate by following the instructions, the operator may lead to serious injuries, even Mortal danger.

 **Attention:** If the operator does not operate by following the instructions, the operator may lead to minor injuries, but generally it will not cause serious injuries to the operator.



Prohibition



Mandatory

4. Safty guides



Do not fly in bad weather such as rainy or thundering to assure the safety of you and others.



Before you fly, please make sure the movement of server are correspond with the direction of joystick. If inconsistent, please adjust before fly.



You need to turn the throttle channel(ch3) and inching switch to the lowest before you use. Then switch on the transmitter power (red light or flashing means low battery),finally connect the receiver.



The Sequence to shut down is first turn the receiver power and the transmitter power.

If the above operations are reverse, it might lead to uncontrolled and cause accident.

5. Battery charging notes



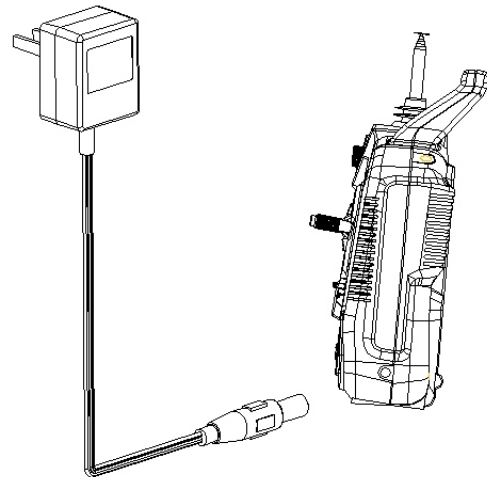
If your transmitter, receiver using a nickel-cadmium, nickel-metal hydride rechargeable battery, you have to well-check before you fly. If lack of electricity, it could happen those phenomenon like inadequate control or out of control, resulting accident. So please charge immediately when low in battery.



If you are using a nickel-cadmium, nickel-metal hydride batteries for recharging, please use our company dedicated charger. If the electrical current is too large and it may lead to temperature over-heated and cause fire burning accident. Please cut off the power supply immediately after recharging. Please take out the battery from the transmitter when you are not using it within a period, it is because the battery may damage the aircraft batteries, thus being exposed.

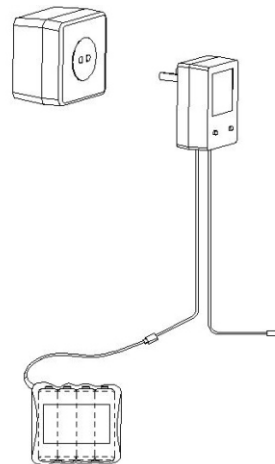
Transmitter charger:

1. Install the battery to transmitter with correct direction, and cover it.
2. Connect the charger to the main connector.
3. Connect the charger to the transmitter Connector.
4. Cut off the power supply immediately after Recharge completed.



Receiver charger:

1. Connect the charger to the main connector.
2. Connect the Rechargeable receiver with battery charger
3. Recharge completed, cut off the power supply immediately.



6. Transmitter parameters

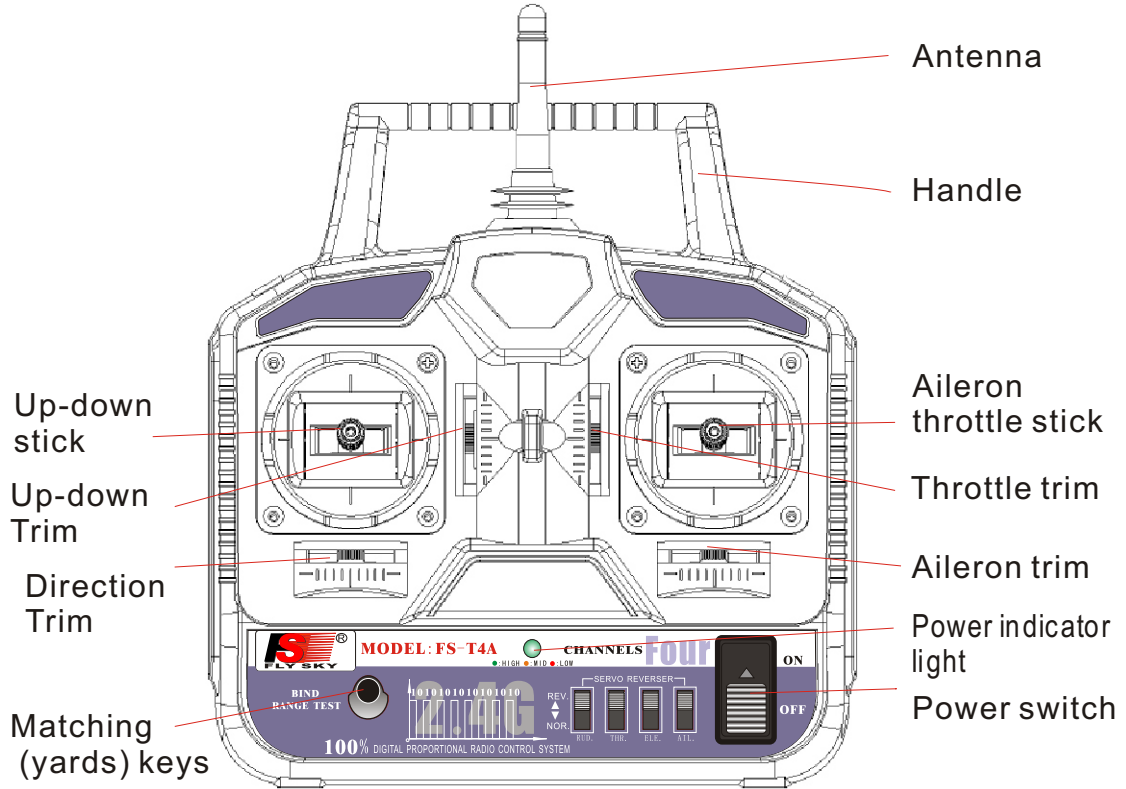
- *Channels: 16
- *Charger port: yes
- *Frequency band: 2.4GHz
- *Simulator port: PS-2
- *Power resource: 1.5V*8 "AA"Battery
- *Program type: GFSK
- *Modulation type:FM
- *RF power: 19db
- *Static current: $\leq 250\text{mA}$
- *Voltage display type: LED
- *Size: 189*97*218mm
- *Weigth: 575g
- *Color: black
- *Antenna length: 26mm

7. Receiver parameters

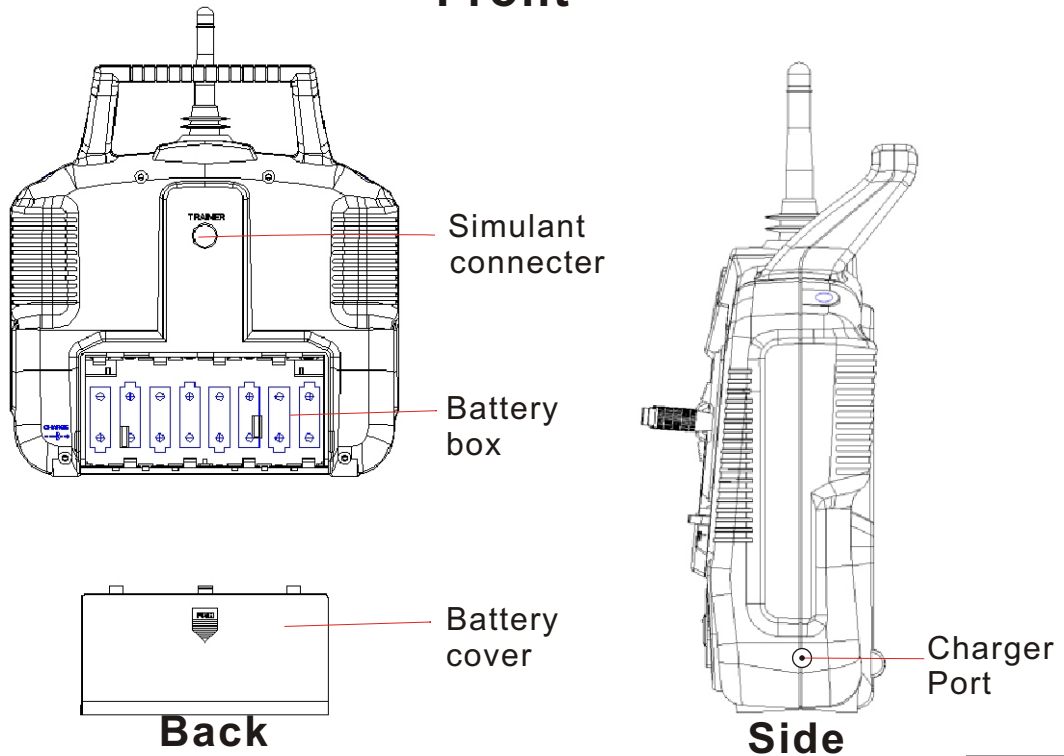
- *Channel: 16
- *Frequency band: 2.4GHz
- *Power resource: 1.5V*4 "AA"Battery
- *Program type: GFSK
- *Modulation type: FM
- *RF Receiver sensitivity: -76db
- *Static current: $\leq 85\text{mA}$
- *Size: 45*23*13.5mm
- *Module Size: 25*16.8*6.5mm
- *Weigth: 12g
- *Color: Gary semi-transparent
- *Antenna length: 26mm

2. 4G 4 Channel remote system

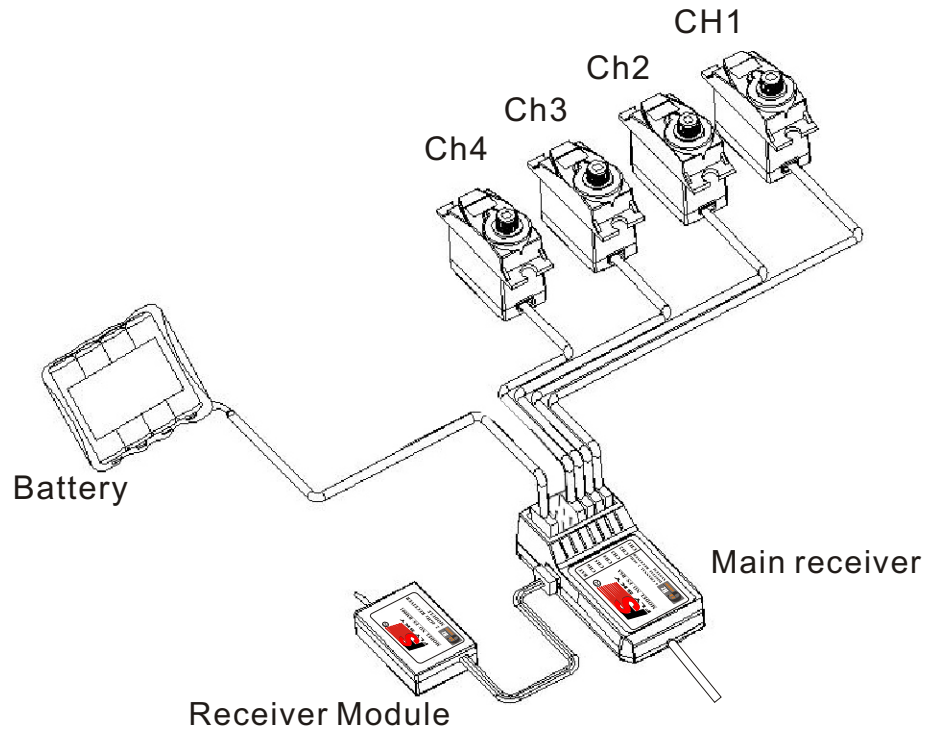
8. Each part of the transmitter



Front



9.Receiver and server connectivity



When installing the receiver please make sure that two items showed 90 degree angle.

