



Netbook User's Manual

Trademark:

All trademarks are the property of their respective owners.

Version:

User's Manual V1.1 for SZ 900 Netbook.

P/N: 3A221RD00-000-G

Symbol description:



Caution : refers to important information that can help you to use Netbook better, and tells you how to avoid problems.



Warning : indicating a potential risk of hardware damage or physical injury may exist.



WEEE:

The use of this symbol indicates that this product may not be treated as household waste. By ensuring this product is disposed of correctly, you will help prevent potential negative consequences for the environment and human health, which could otherwise be caused by inappropriate waste handling of this product. For more detailed information about recycling of this product, please contact your local city office, your household waste disposal service or the shop where you purchased this product.

© All rights reserved.

All trade names are registered trademarks of respective manufacturers listed.

All images are for reference only, please refer to the physical Netbook for specific features.



The following safety precautions will increase the life of the netbook. Please follow all precautions and instructions. Except as described in the manual, refer all servicing to qualified personal.

- Do not place on uneven or unstable work surfaces. Seek servicing if the casing has been damaged.
- Do not expose to dirty or dusty environment. And Do not operate during a gas leak.
- Do not leave the netbook on your lap or any part of the body to prevent discomfort or injury from heat exposure.
- Do not press or touch the display screen. Do not place together with small items that may scratch or enter the netbook.
- The netbook should only be used in environment with ambient temperature between 0°C(32°F) and 40°C(104°F).
- Do not place or drop objects on top.
- Do not expose to or use near liquids、 rains、 moisture or strong magnetic or electrical fields.
- Do not carry or cover a netbook that is powered on with any materials that will reduce air circulation such as a carrying bag.
- Do not throw the netbook in municipal waste. Check local regulations for disposal of electronic products.
- Wipe the netbook using a clean cellulose sponge or chamois cloth dampened with a solution of nonabrasive detergent and a few drops of warm water and remove any extra moisture with a dry cloth.



Please carefully read the following information about battery :

- Risk of explosion if battery is replaced by an incorrect type. Dispose of used batteries according to the instructions.
- Use only the power cord and batteries indicated in this manual. Do not dispose of batteries in a fire. They may explode. Check with local codes for possible special disposal instructions.



TABLE OF CONTENTS

Chapter 1 Introduction to Your Netbook

External Appearance	2
Setting Up Your Computer.....	6
Using the Touchpad.....	10

Chapter 2 Using Your Netbook

Overview	12
Using Web Camera	12
Chinese Input Method	13
Special Function Keys.....	13
Using WWAN	14
Using Wireless LAN	16
MMC/SD/MS Dummy Card	17

Chapter 3 Install Windows XP in Netbook

Install a new Windows XP system.....	19
Install drivers in new Windows XP	21

Appendix

Recovery of Linux system	22
--------------------------------	----



The Netbook is a compact and easy to use portable computer. It is equipped with an intuitive graphical interface and full wireless connectivity so you can use the Netbook and access the Internet at any time and in any place.

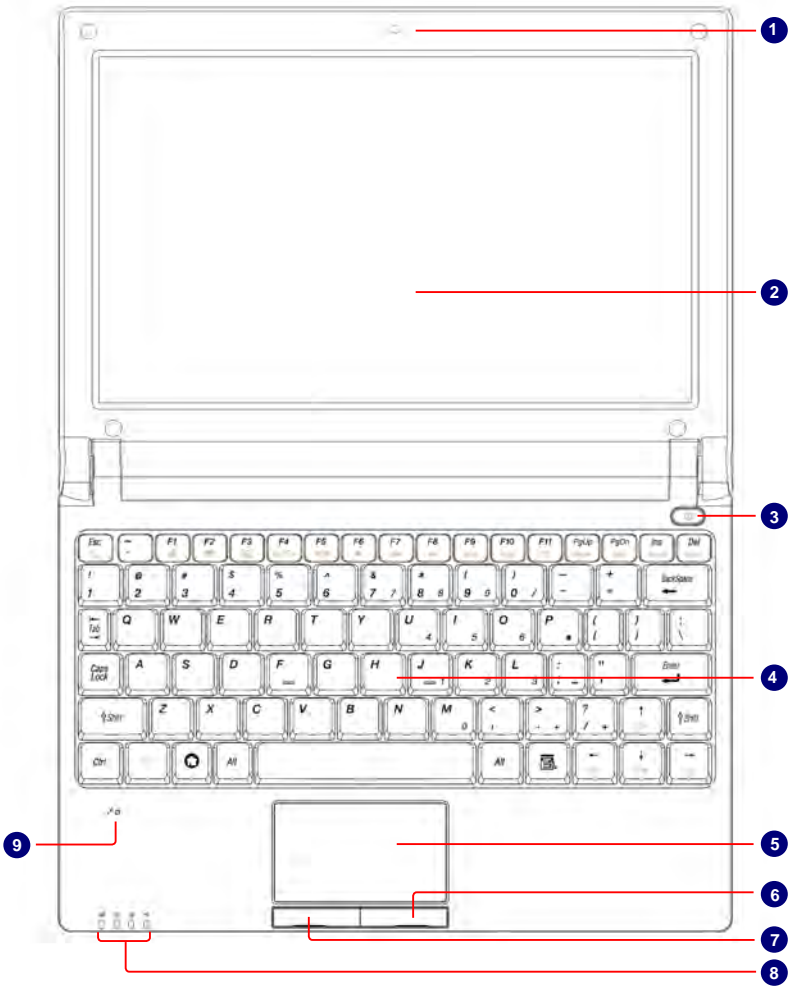
This chapter includes the following information:

- External Appearance
- Setting Up Your Computer
- Using the Touchpad

1-1 External Appearance

The Netbook is a compact and easy to use portable computer. It is equipped with an intuitive graphical interface and full wireless connectivity so you can use the Netbook and access the Internet at any time and in any place. Provided below is an introduction to each product function.

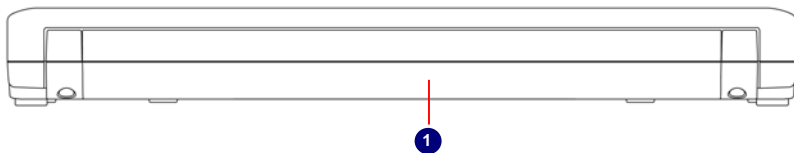
1. Top View



Your Netbook keyboard may vary depending on the country/region of purchase.

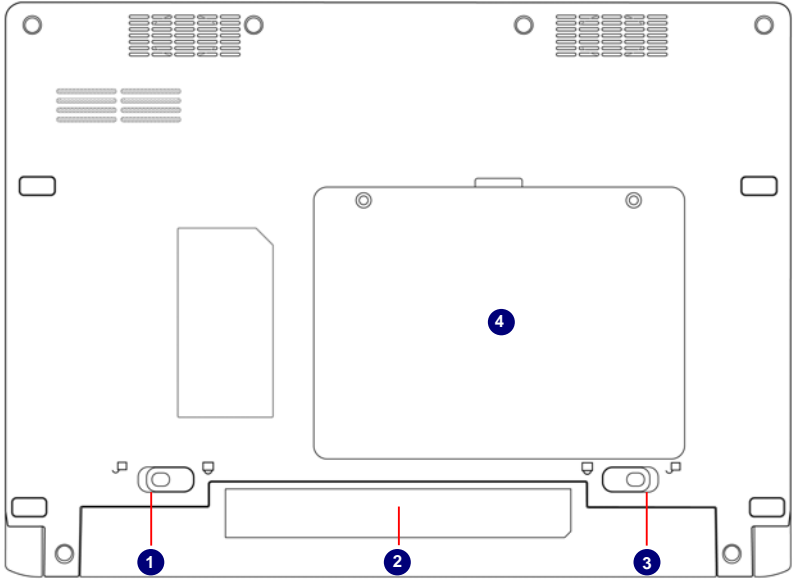
No.	Purpose	Description
1	CCD Camera	Records videos or take photos
2	Color LCD Display	Netbook's screen
3	Power Button	Button for turning the computer's power on/off
4	Keyboard	Input device used for controlling the Netbook's various functions
5	Touchpad	Works the same way as a mouse and is used for controlling the computer cursor
6	Right Touchpad Button	Works the same way as the right mouse button
7	Left Touchpad Button	Works the same way as the left mouse button
8	Computer Status Light	From left to right: Power icon Num Lock icon Caps Lock icon Wireless Network icon
9	Microphone	Netbook's built-in microphone

2. Rear View



No.	Purpose	Description
1	Battery	Replaceable battery that serves as Netbook's power supply

3. Bottom View

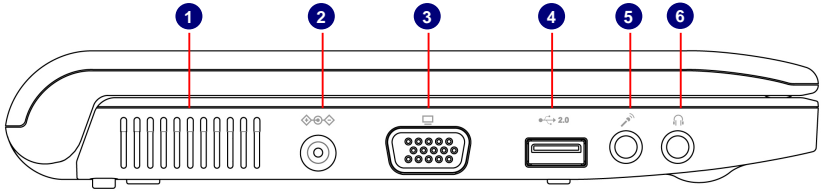


No.	Purpose	Description
1	Battery Lock	Slide inwards to lock the battery in place. Slide outwards to unlock battery.
2	Battery	Replaceable battery. Serves as the Netbook's power supply
3	Battery Latch	Push outwards to release battery for removal
4	Hard Disk Cover	The Hard Disk Cover protects the internal hardware. Open to exchange device



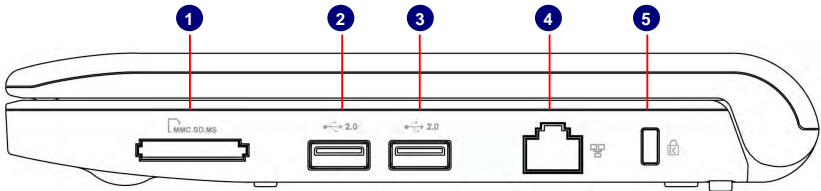
When the computer is running or charging, heat is produced inside the Netbook and transferred to the back of the chassis by the heat dissipation system for cooling. The transformer may also produce a lot of heat during normal use as well. The Netbook and its transformer should therefore not be placed in the lap or on any other body part for prolonged periods during use. Also avoid placing the Netbook on a soft surface (e.g. sofa) as it might block the heat vents and interfere with cooling.

4. Left View



No.	Purpose	Description
1	Vent	Netbook's cooling vent
2	Power Port	Connects to the external power supply transformer
3	External Display Port	Connects to an external display
4	USB Port	Connects to USB 2.0 device
5	Microphone	Connects to external microphone
6	Headphone	Connects to external headphone

5. Right View



No.	Purpose	Description
1	Multi-Function Card Reader	Supports MMC/SD/MS memory cards
2	USB Port	Connects to USB 2.0 device
3	USB Port	Connects to USB 2.0 device
4	Network Port	Standard RJ-45 network port
5	Anti-Theft Lock Slot	Connects to anti-theft lock

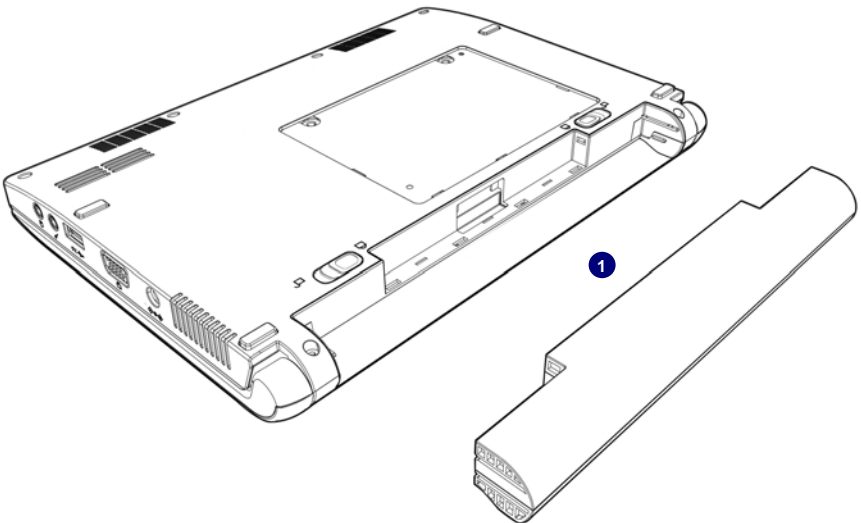
1-2 Setting Up Your Computer

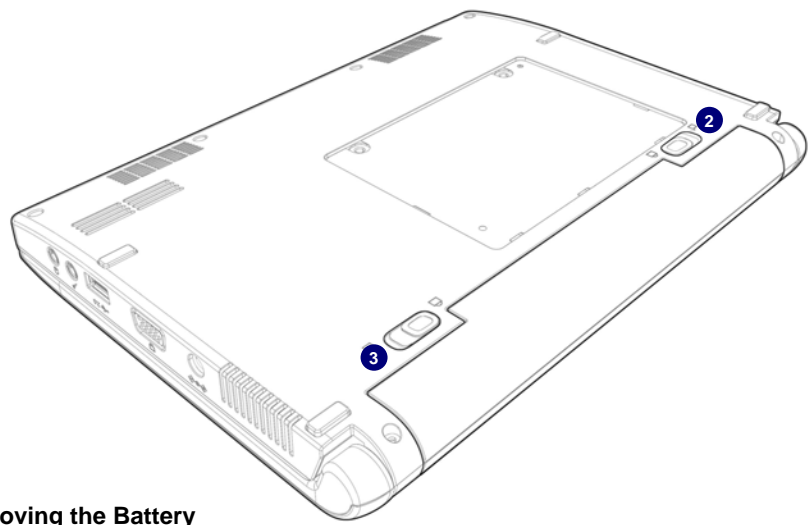
1. Installing/Removing the Battery

Please install the battery before using the Netbook and connect the external power supply transformer. The Netbook can be powered by the battery or the external transformer. If you are in an office environment, we recommend using the external transformer as much as possible. If you are away from the office and no power socket is available, use the battery instead.

Installing the Battery

- Step 1: Turn the Netbook over and have the back of the battery facing upwards as well. Now push the end of the battery with the metal contacts into the Netbook's battery slot evenly and slowly along the battery rails.
- Step 2: Push the end of the Netbook battery with the metal contacts completely into the battery slot. When there is a "click", this means the battery latch has engaged and the battery is now secured to the Netbook.
- Step 3: Push the Battery Lock inwards lightly to lock the battery in place.



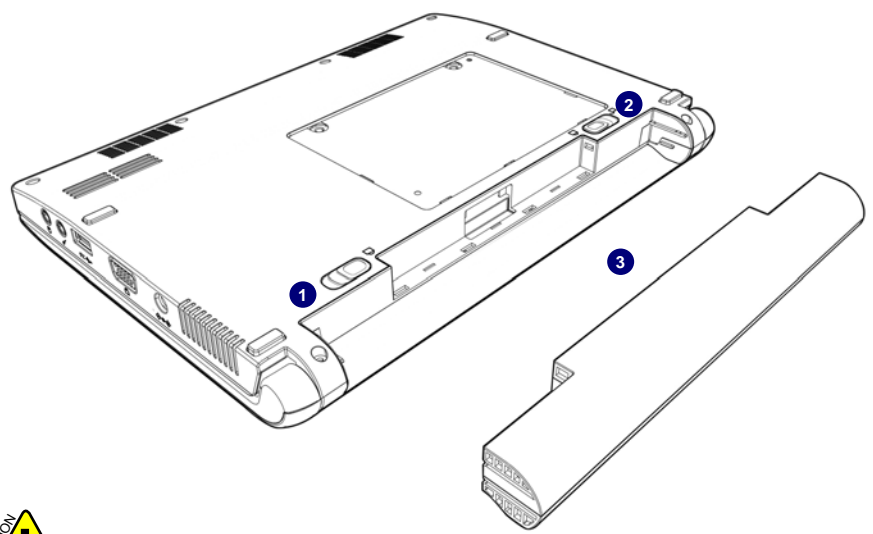


Removing the Battery

Step 1: Shut down the Netbook. Disconnect all cables and devices.

Step 2: Turn the Netbook over and unlock the battery by pushing the Battery Lock outwards.

Step 3: Push the Battery Latch outwards and hold it in place with your finger. Now use the other hand to pull the battery out.

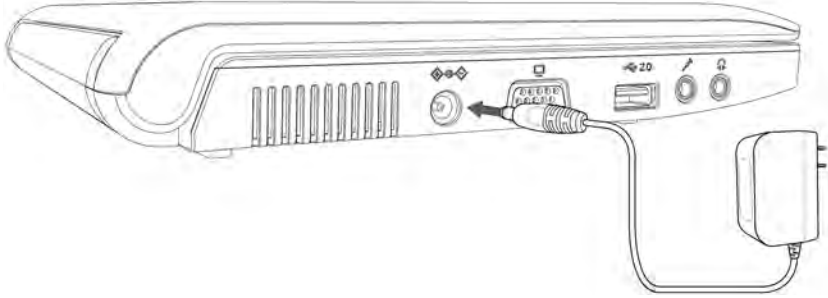


Do not remove the battery while the Netbook is still running. This may damage the data on the hard disk.

2. Connecting the Power Supply

Step 1: Insert the round end of the power supply transformer into the charging port on the left side of the Netbook.

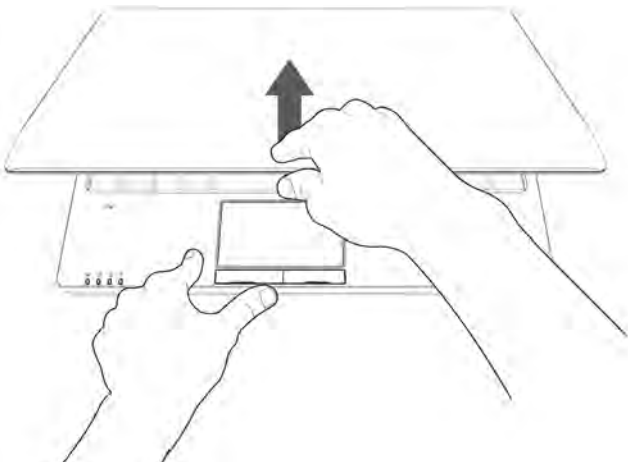
Step 2: Insert the other end of the power supply transformer into a power socket.



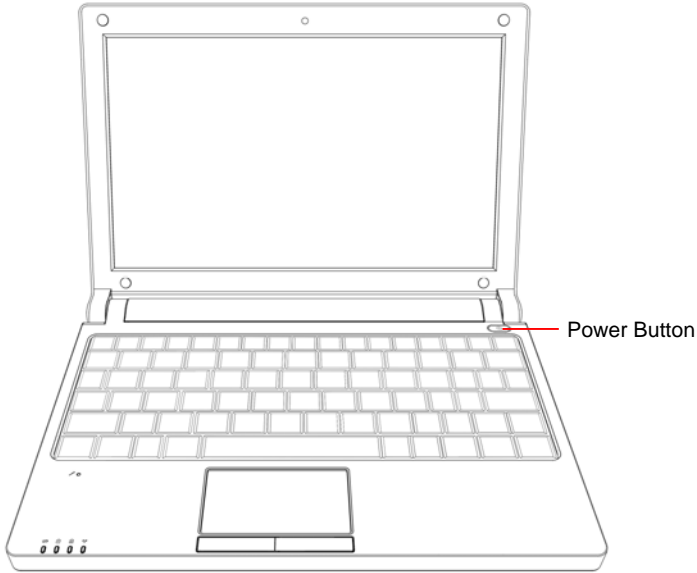
The power connector for the power socket may vary depending on the local national standards. The appropriate connector will be bundled with your Netbook. Please always use the adapter when connecting the power supply. The connector shown here may not match the type included in the box and is provided for reference purposes only.

3. Startup

Step 1: Open the screen of your Netbook.



Step 2: Turn on the machine by pressing the Power Button.



4. Emergency Shutdown

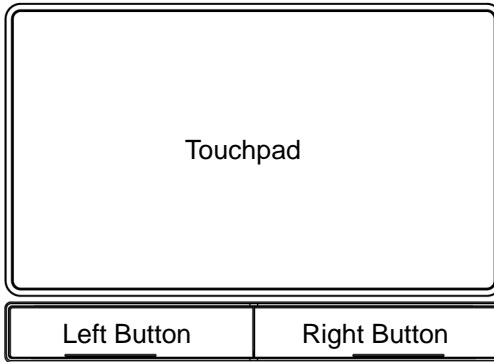
When the Netbook cannot be shut down through normal means, please press and hold the Power Button until the Netbook powers off.

1-3 Using the Touchpad

1. Introduction to the Touchpad

The touchpad is like a computer mouse. It senses the pressure from the user's finger and generates a voltage that is used to control the cursor's movements and issue commands.

The touchpad senses finger movements. Simply move one finger across the touchpad to control the movement of the cursor on screen. Below the touchpad is two buttons. The left button is like the left mouse button and is used for selecting options or launching programs on screen. The right button works the same way as the right mouse button.



2. Single Tap/ Single Click

To select a window function or press a button icon, move your finger across the touchpad to move the cursor to the window or button to select. Now tap the touchpad with your finger to perform the action. This action is equivalent to pressing the left mouse button. You can also press the left touchpad button for the same effect.

3. Double Tap/ Double Click

To open a file or document, move your finger across the touchpad to move the cursor to the file you wish to open. Now quickly tap the touchpad twice with your finger to perform the action. This action is equivalent to pressing the left mouse button twice. You can also press the left touchpad button twice for the same effect.

4. Drag

Move your finger across the touchpad to move the cursor to the object you wish to drag. Now hold down the left touchpad button with one hand and move the cursor to the desired location. Release the button and complete the drag operation. You can also double tap the object you wish to drag and keep the finger on the touchpad after the second tap to perform the drag operation with one hand.