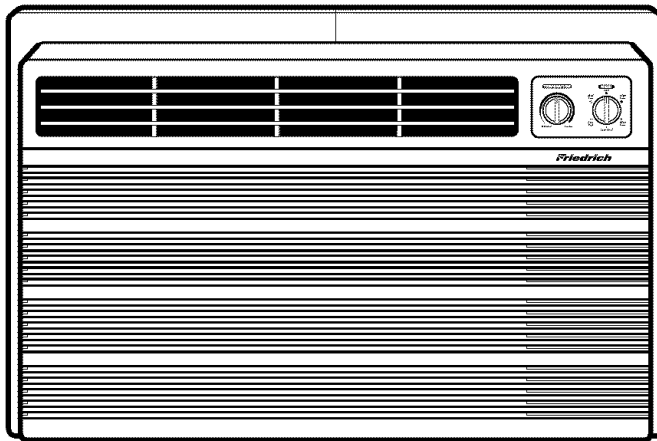


# ***Friedrich***<sup>®</sup>

## **Installation & Operation Guide**



## **Thru-the-Wall Series**

**115 Volts • UE08**

**230 Volts • UE10 • UE12**

Model information can be found on the name plate on the front of the unit.  
To register your application, complete and mail the enclosed registration card, or  
register on-line at [www.friedrich.com](http://www.friedrich.com) (USA only).  
For your future convenience, record the model information here.

MODEL NUMBER

SERIAL NUMBER

PURCHASE DATE

**Safety Precautions**

Safety Precautions ..... 3

**READ THIS MANUAL**

Inside you will find many helpful hints on how to use and maintain your air conditioner properly. Just a little preventive care on your part can save you a great deal of time and money over the life of your air conditioner.

You'll find many answers to common problems in the trouble shooting section. First review the trouble shooting section before calling service. Your question may already be answered.

**Electrical Data**

Electrical Data ..... 5

**Operating Instructions**

Controls ..... 6

Ventilation Control ..... 8

Air Direction ..... 8

**Parts and Installation**

Parts ..... 10

Installation ..... 11

How to Install ..... 11

Procedure ..... 13-17

**Before you call  
for service...**

Trouble Shooting Tips ..... 18

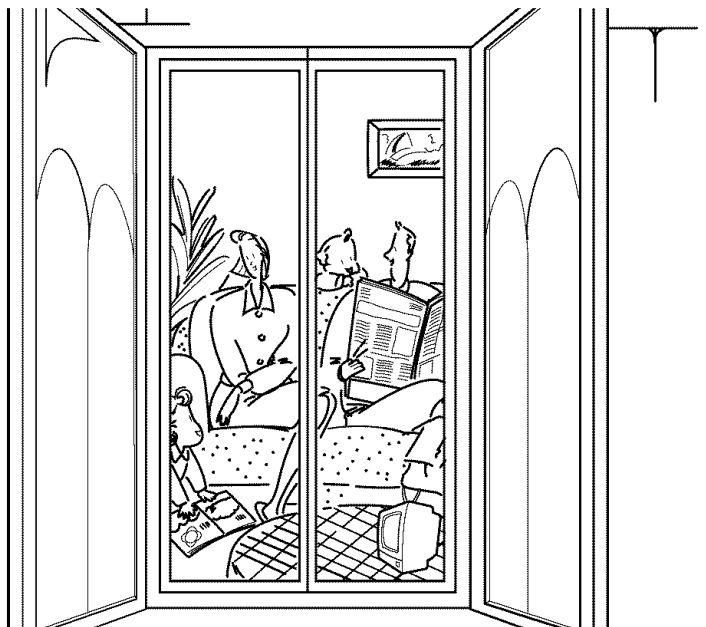
Normal Operation ..... 18

Abnormal Operation ..... 18

Warranty ..... 19

**CAUTION**

- Contact an authorized Service technician for repair or maintenance of this unit.
- The air conditioner is not intended for use by young children without supervision.





# Safety Precautions



To prevent injury and property damage, the following instructions must be followed.

■ Ignoring instructions and incorrectly operating the unit can cause harm or damage.

The seriousness is classified by the following indications.

	<b>WARNING</b> : This symbol indicates the possibility of death or serious injury.
	<b>CAUTION</b> : This symbol indicates the possibility of injury or damage to property only.

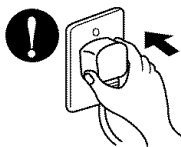
■ Meanings of symbols used in this manual are as shown below.

	<b>Never do this.</b>
	<b>Always do this.</b>

## **WARNING**

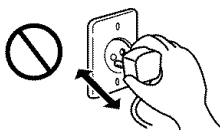
### Plug in the power plug properly.

- Otherwise, it will cause electric shock or fire due to heat generation.



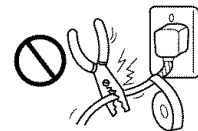
### Do not operate or stop the unit by inserting or pulling out the power plug.

- It will cause electric shock or fire due to heat generation.



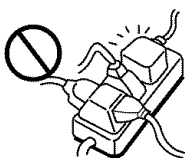
### Do not damage or use an unspecified power cord.

- It will cause electric shock or fire.
- If the power cord is damaged, it must be replaced by the manufacturer or an authorized service center.



### Do not modify power cord length or share the outlet with other appliances.

- It will cause electric shock or fire due to heat generation.



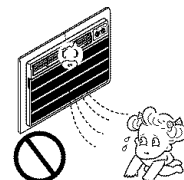
### Do not operate with wet hands or in damp environment.

- It will cause electric shock.



### Do not direct airflow directly at room occupants.

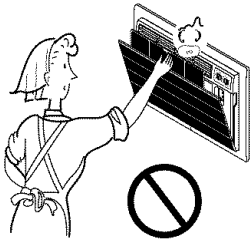
- This could harm your health.



**CAUTION**

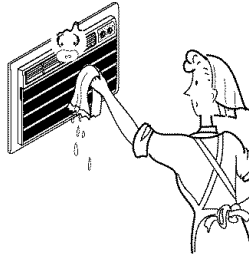
When the air filter is to be removed, do not touch the metal parts of the unit.

- They are sharp and may cause an injury.



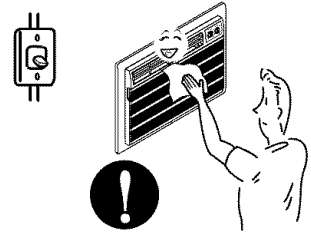
Do not clean the air conditioner with water.

- Water may enter the unit and damage the insulation.



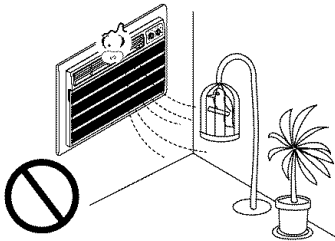
When the unit is to be cleaned, switch off, and turn off the breaker.

- Since the fan rotates at high speed during operation, it may cause an injury.



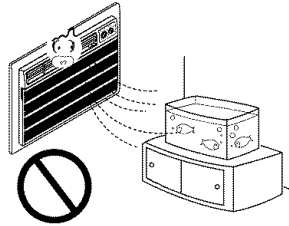
Do not put a pet or house plant where it will be exposed to direct air flow.

- This could harm the pets or plants.



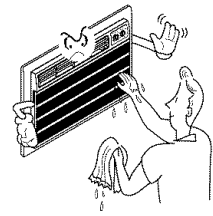
Do not use for special purposes.

- Do not use this air conditioner to preserve precision devices, food, pets, plants, and art objects. It may cause deterioration of quality, etc.



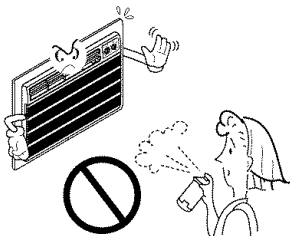
Do not operate switches with wet hands.

- It may cause an electric shock.



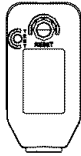
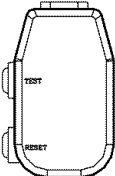
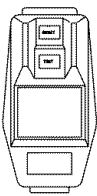
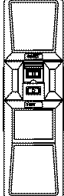
Do not apply an insecticide or flammable spray.

- It may cause a fire or damage the cabinet.





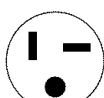
# Electrical Data

## Electrical Data


115V~		230V~		Power cord may include a current interrupter device. A test and reset button is provided on the plug case. The device should be tested on a periodic basis by first pressing the TEST button and then the RESET button. If the TEST button does not trip or if the RESET button will not stay engaged, discontinue use of the air conditioner and contact a qualified service technician.
				

### USE OF EXTENSION CORDS

Because of potential safety hazards, do not use an extension cord.

Use Wall Receptacle	Power Supply
 <p>Standard 125V, 3-wire grounding receptacle rated 15A, 125V AC</p>	Use 15 AMP. time delay fuse or 15 AMP. circuit breaker.
 <p>Standard 250V, 3-wire grounding receptacle rated 15A, 250V AC</p>	
 <p>Standard 250V, 3-wire grounding receptacle rated 20A, 250V AC</p>	Use 20 AMP. time delay fuse or 20 AMP. circuit breaker.

**⚠ WARNING**



Electrical Shock Hazard  
 Plug into a grounded 3 prong outlet.  
 Do not remove ground prong.  
 Do not use an adapter.  
 Do not use an extension cord.  
 Failure to follow these instructions can result in death, fire, or electrical shock.

All wiring should be done in accordance with local electrical codes and regulations.

**NOTE:** Aluminum house wiring may pose special problems. Consult a qualified electrician.

### ⚠ **ELECTRICAL SAFETY**

#### **IMPORTANT GROUNDING INSTRUCTIONS**

The air conditioner has a three-prong grounding plug on its power supply cord, which must be plugged into properly grounded three-prong wall receptacle for your protection against possible shock.

**FUSE** – Use a time-delay fuse or circuit breaker. Refer to the nameplate for proper power supply requirements.

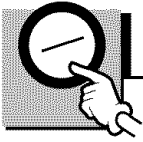
#### **208/230 VOLT UNITS**

These units are equipped with a three-prong grounding plug on the power supply cord, which must be plugged in to a matching, properly grounded three-prong wall receptacle for your protection against possible shock hazard. If such an outlet is not present, one must be installed by a qualified electrician in accordance with the National Electrical Code and local codes and ordinances.

Electrical Data

# Operating Instructions

The controls will look like one of the following:



## Controls – Cooling Only Models

<p><b>MODE</b></p> <p>OFF</p> <p>Med Fan</p> <p>Low Fan</p> <p>High Cool</p> <p>Med Cool</p> <p>Low Cool</p>	<p>Off - Turns air conditioner off.</p> <p>Med Fan Only - Med speed fan operation without cooling.</p> <p>Low Fan Only - Low speed fan operation without cooling.</p> <p>High Cool - Cooling with high speed fan operation.</p> <p>Med Cool - Cooling with med speed fan operation.</p> <p>Low Cool - Cooling with low speed fan operation.</p>
<p><b>TEMPERATURE</b></p> <p>Warmer</p> <p>Cooler</p>	<p>This automatically controls the temperature of the indoor air. Turn the knob clockwise for greater cooling. Turn the knob counter-clockwise for more moderate cooling.</p>

### • FOR NORMAL COOLING

1. Turn the MODE Knob to the **Med Cool** setting.
2. Set the Temperature Knob to the desired temperature (the mid-point is a good starting position).  
If the room temperature is not satisfactory after a reasonable time, adjust the control to a cooler or warmer setting, as appropriate.

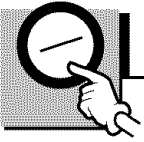
### • FOR MAXIMUM COOLING

1. Turn the MODE Knob to the **High Cool** setting.
2. Set the Temperature Knob to the coolest temperature setting all the way to the right.

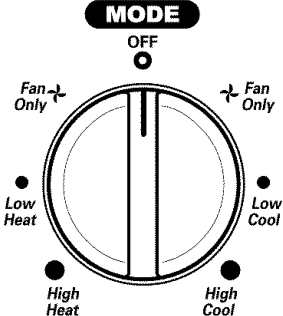
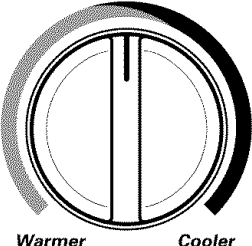
### • FOR QUIETER OPERATION

1. Turn the Operation Knob to the **Low Cool** setting.
2. Set the Temperature Knob as needed.

The controls will look like one of the following:



## Controls – Cooling & Heating

	<p><b>MODE</b></p> <ul style="list-style-type: none"><li>Off - Turns the air conditioner off.</li><li>Fan Only - The low fan speed operation without cooling/heating.</li><li>Low Cool - Cooling with the low speed fan operation.</li><li>High Cool - Cooling with the high speed fan operation.</li><li>Low Heat - Heating with the low speed fan operation.</li><li>High Heat - Heating with the high speed fan operation.</li></ul>
	<p><b>TEMPERATURE</b></p> <p>Turn the Temperature Knob to the desired setting. The central position is a normal setting for average conditions. You can change this setting, if necessary, in accordance with your temperature preference.</p> <p>The thermostat automatically controls cooling or heating, but the fan runs continuously whenever the air conditioner is in operation. If the room is too warm, turn the thermostat control clockwise. If the room is too cool, turn the thermostat control counterclockwise.</p>

The compressor will turn on and off to keep the room at the set temperature.

In the heating operation, the electric heater will turn on and off to keep the room at the set temperature.

### CAUTION

When the air conditioner has been operated in the cooling or heating mode and is turned off or set to the fan position, wait at least 3 minutes before resetting to the cooling operation again.

A slight burning odor may come from the unit when first switching to HEAT after the cooling season is over. This odor, caused by fine dust particles on the heater, will disappear quickly. This is normal operation.

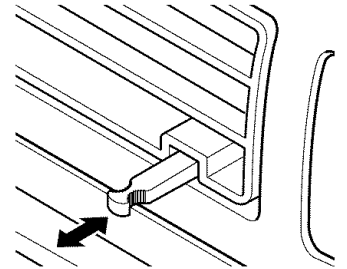
---

*Additional controls and important information.*

## *Ventilation Control*

---

Push the lever to the "CLOSE" position to cool, heat or recirculate room air only.  
Pull the lever to the "OPEN" position to exhaust smoke or stale air from the room.  
This feature is best used in conjunction with the FAN ONLY position.



**PULL OPEN / PUSH CLOSE**

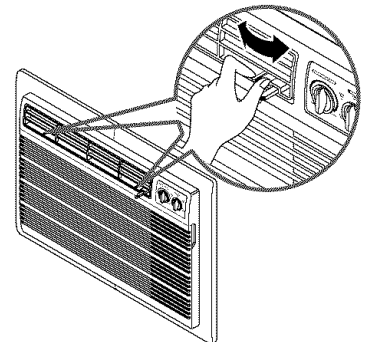
## *Air Direction*

---

The direction of air can be controlled by adjusting the horizontal and vertical louvers.

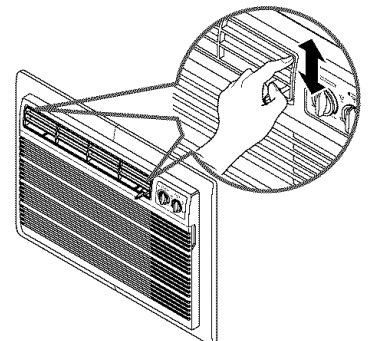
- **HORIZONTAL AIR-DIRECTION CONTROL**

The horizontal air direction is adjusted by moving the vertical louver. The lever for the vertical louver is located in the right and left side of the air discharge.



- **VERTICAL AIR-DIRECTION CONTROL**

The vertical air direction is adjusted by moving the horizontal louver.





# Care and Maintenance

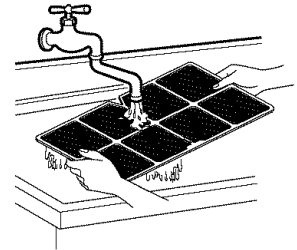
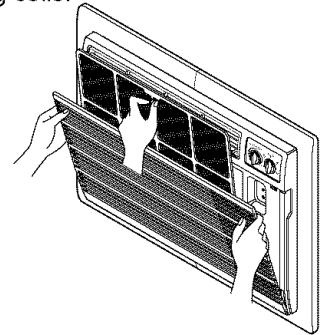
TURN THE AIR CONDITIONER OFF AND REMOVE THE PLUG FROM THE POWER OUTLET.

## Air Filter Cleaning

The air filter should be checked at least twice a month to see if cleaning is necessary. Trapped particles in the filter will build up and block the airflow. This reduces the cooling capacity and can also cause an accumulation of frost on the cooling coils.

If the filter becomes torn or damaged you should replace it immediately. Replacement filters are available from your salesperson, dealer, and authorized customer service centers.

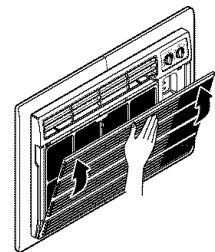
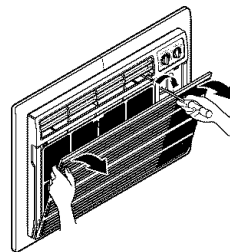
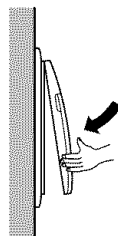
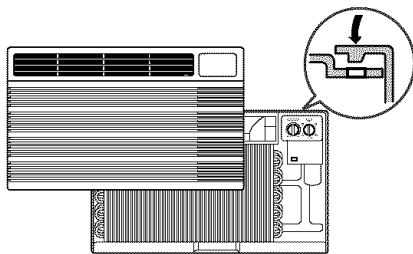
1. Open the inlet grille downward by grasping the top outside edges of the inlet grille and pulling it towards you.
2. Remove the air filter from the front grille assembly by pulling the air filter up slightly.
3. Wash the filter using lukewarm water and a mild detergent.
4. Gently shake all excess water from the filter. Make sure the filter is completely dry and replace the filter back into the unit.



## How to Attach Front Grille to Cabinet

The front grille can be removed for cleaning or to check the model and serial numbers. For your safety, you should attach the front grille using the following procedures.

1. Pull down front grille from the cabinet top.
2. Push front grille's tips toward the cabinet in order to insert front grille's tabs into the cabinet.
3. Open the inlet grille.
4. Tighten the screw through the front grille into the plate of control box.
5. Close inlet grille.

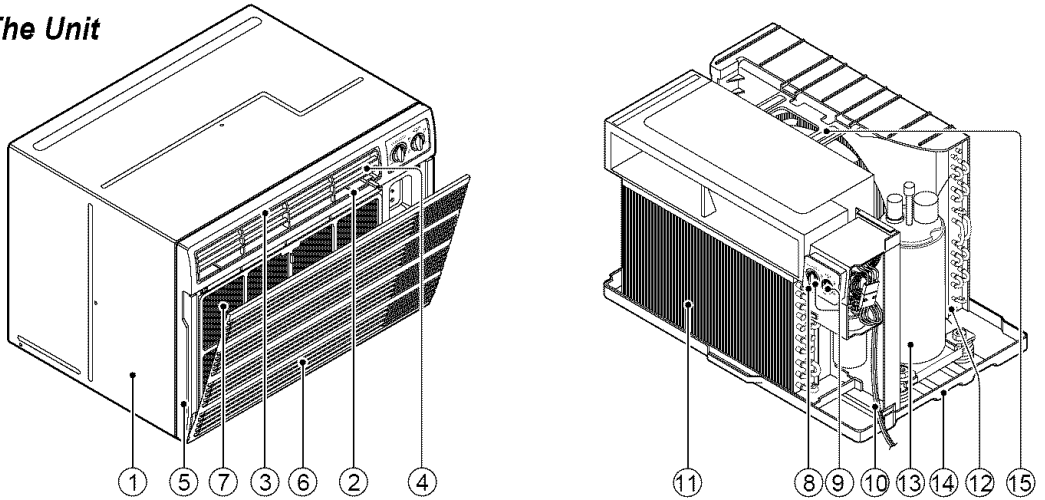


# Parts

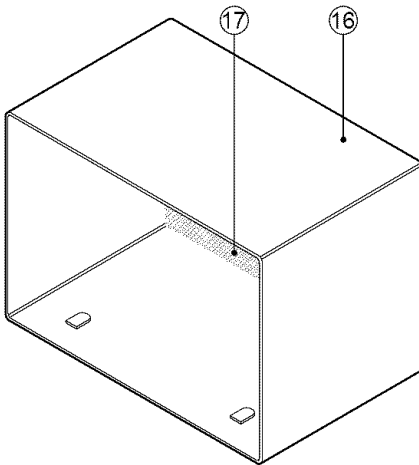
Learning part name prior to installation will help you understand the installation procedure.

## Parts

### The Unit



### The Sleeve with the Rear Grille (sold separately)



- |  |  |
|--|--|
| 1. CABINET                                       | 11. EVAPORATOR   |
| 2. HORIZONTAL AIR DEFLECTOR<br>(Vertical Louver) | 12. CONDENSER  |
| 3. VERTICAL AIR DEFLECTOR<br>(Horizontal Louver) | 13. COMPRESSOR   |
| 4. AIR DISCHARGE                                 | 14. BASE PAN   |
| 5. FRONT GRILLE                                  | 15. BRACE  |
| 6. INLET GRILLE (Air Intake)                     | 16. SLEEVE ASSEMBLY<br>(Including Expanded Aluminum Rear grille) |
| 7. AIR FILTER                                    | 17. REAR GRILLE  |
| 8. CONTROL BOARD                                 |  |
| 9. BUTTONS                                       |  |
| 10. POWER CORD                                   |  |

# Installation

Remove packing sheet from the back of the sleeve, and packing corner and blue tape from the air conditioner.

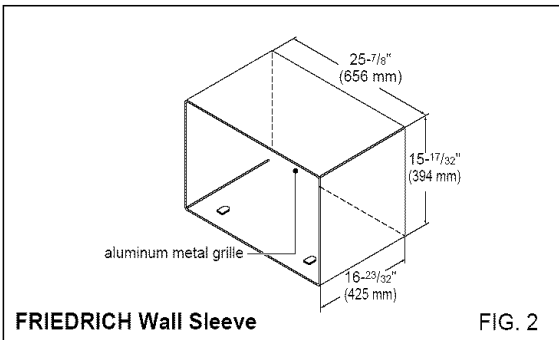
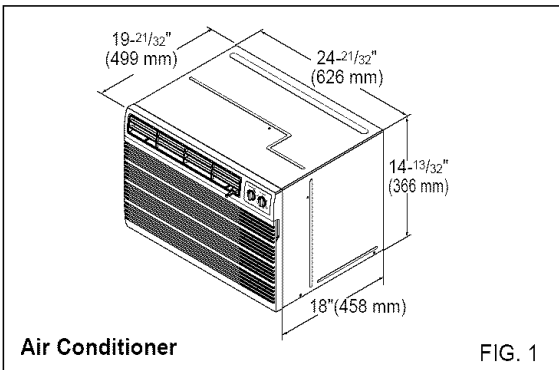
## INSTALLATION REQUIREMENTS

If you use an existing wall sleeve, you should measure its dimensions.

Install the new air conditioner according to these installation instructions to achieve the best performance.

All wall sleeves used to mount the new air conditioner must be in good structural condition and have a rear grille to securely attach the new air conditioner. (FIG. 1)

Installing the FRIEDRICH USC sleeve ensures optimal performance of the new air conditioner. (FIG. 2)

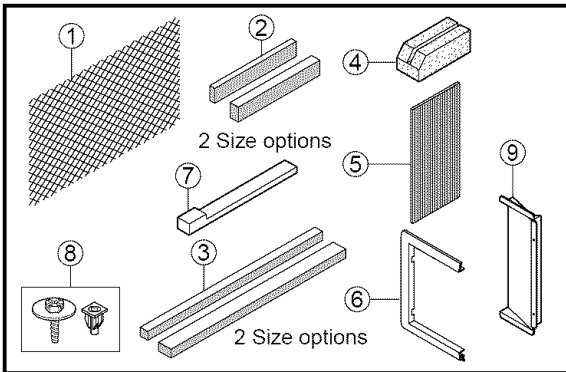


## ELECTRICAL SERVICE

Check your available electrical service. The power supply available must be the same as that shown on the unit nameplate (found on left side of cabinet).

All models are equipped with a 3-prong service plug to provide proper service and safe positive grounding. Do not change plug in any way. Do not use an adapter plug. If your present wall outlet does not match your plug, call a qualified electrician to make the necessary corrections. SAVE CARTON for storage and this OWNER'S MANUAL for future reference. The carton is the best way to store unit during winter or when not in use.

## INSTALLATION HARDWARE



ITEM	NAME OF PARTS	Q'TY
①	PLASTIC GRILLE	1
②	HORIZONTAL INSULATION STRIPS	2
③	AROUND INSULATION STRIPS	2
④	SUPPORT BLOCK	2
⑤	BAFFLE	1
⑥	TRIM FRAME	2
⑦	SHIM	2
⑧	PLASTIC NUTS AND WASHER SCREWS	4
⑨	GRILLE REAR	1

## CAUTION

To avoid risk of personal injury, property damage, or product damage due to the weight of this device and sharp edges that may be exposed:

- Air conditioners covered in this manual pose an excessive weight hazard. Two or more people are needed to move and install the unit. To prevent injury or strain, use proper lifting and carrying techniques when moving unit.
- Carefully inspect location where air conditioner will be installed. Be sure it will support the weight of the unit over an extended period of time.
- Handle air conditioner with care. Wear protective gloves whenever lifting or carrying the unit. AVOID the sharp metal fins of front and rear coils.
- Make sure air conditioner does not fall during installation.

## REQUIRED TOOLS:

- Tight Fitting gloves
- Standard screwdriver
- Phillips screwdriver
- Pliers
- Sharp knife
- 3/8-inch open end wrench or adjustable wrench
- 1/4-inch hex socket and ratchet
- Tape measure
- Electric drill
- 1/4-inch drill bit

Parts and Installation

# INSTALLATION



## CAUTION

Installing the FRIEDRICH USC sleeve ensures optional performances of the unit.

If you decide to keep the existing wall sleeve, you have to redirect the louvers at the back of the wall sleeve. Refer to FIG. 8 on p14. The use of pliers is recommended. If you DO NOT redirect, you run the risk of poor performance or premature product failure. This is not covered under the terms of the FRIEDRICH warranty.

- Pick a location which will allow the conditioned air to blow into the area you want. Good installation with special attention to the proper position of the unit will lessen the chance that service will be needed.

### ITEMS IN INSTALLATION HARDWARE

You may not need all parts in the kit. Discard unused parts

ITEM	DIMENSIONS(inches)	Qty.
Plastic grille	26 <sup>3</sup> / <sub>4</sub> x 16 <sup>1</sup> / <sub>2</sub>	1
Horizontal Insulation Strips	1 <sup>3</sup> / <sub>8</sub> x <sup>5</sup> / <sub>8</sub> x 27 <sup>3</sup> / <sub>16</sub>	1
	1 <sup>3</sup> / <sub>8</sub> x 1 <sup>3</sup> / <sub>8</sub> x 27 <sup>3</sup> / <sub>16</sub>	1
Around Insulation Strips	1 <sup>3</sup> / <sub>8</sub> x <sup>3</sup> / <sub>4</sub> x 61 <sup>1</sup> / <sub>2</sub>	1
	1 <sup>3</sup> / <sub>8</sub> x 1 <sup>3</sup> / <sub>8</sub> x 61 <sup>1</sup> / <sub>2</sub>	1
Support Block	1 <sup>3</sup> / <sub>4</sub> x 1 <sup>3</sup> / <sub>8</sub> x 4 <sup>5</sup> / <sub>16</sub>	2
Baffle	14 x 4 <sup>1</sup> / <sub>2</sub> x <sup>1</sup> / <sub>8</sub>	1
Shim	13 x 1 x <sup>3</sup> / <sub>4</sub>	2
Trim Frame		2
Washer Screw		4
Nuts(Plastic)		4
Grille Rear		1

### HOW TO INSTALL

- 1 Before installing the unit, identify the existing wall sleeve from the list below.

Brand	Wall Sleeve Dimensions (inches)		
	Width	Height	Depth
White-Westinghouse Frigidaire Carrier (52F series)	25-1/2	15-1/4	16, 17-1/2 or 22
General Electric /Hotpoint	26	15-5/8	16-7/8
Whirlpool	25-7/8	16-1/2	17-1/8 or 23
Fedders/Emerson Friedrich WSC	27	16-3/4	16-3/4 or 19-3/4
FRIEDRICH USC	25-7/8	15-17/32	16-23/32
Emerson/Fedders	26-3/4	15-3/4	15
Carrier (51S Series)	25-3/4	16-7/8	18-5/8

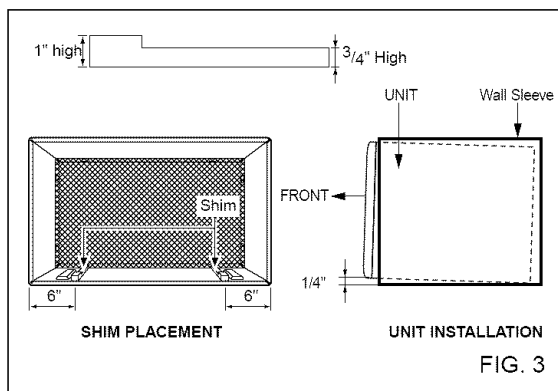
**NOTE:** All wall sleeves used to mount the new Air Conditioner must be in sound structural condition and have a rear grille that securely attaches to sleeve, or rear flange that serves as a stop for the Air Conditioner.

- 2 Remove old air conditioner from existing wall sleeve.
- 3 Clean the interior of an existing sleeve. (Do not disturb seals or gaskets.)
- 4 Wall sleeve must be securely fastened in wall before installing the air conditioner. Use the nails or screws through sleeve into wall, if needed. Repaint sleeve if needed.
- 5 Prepare the wall sleeve for installation of the unit. If you plan to use your existing wall sleeve, and it is not FRIEDRICH, use procedure B or C below.

Procedure	Brand	Depth(inches)
A(page 13)	FRIEDRICH USC	16-23/32
B (pages 14~15)	White-Westinghouse Frigidaire Carrier (52F series)	16, 17-1/2 or 22
	General Electric /Hotpoint	16-7/8
	Whirlpool Carrier (51S series)	17-1/8 or 23 18-5/8
C (pages 16~17)	Fedders/Emerson Friedrich WSC	16-3/4 or 19-3/4
	Emerson/Fedders	15

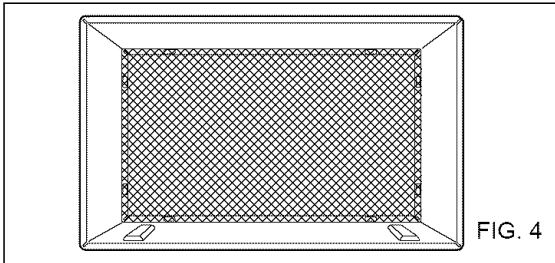
- 6 Install new unit into wall sleeve.

**CAUTION:** When installation is completed, replacement unit MUST have a rearward slope as shown. To achieve 1/4" slope, remove the backing from the 11-13/16" shim strips and attach them as shown below in Fig. 3. Place the higher portion of shim to the front of the rib on base of wall sleeve.

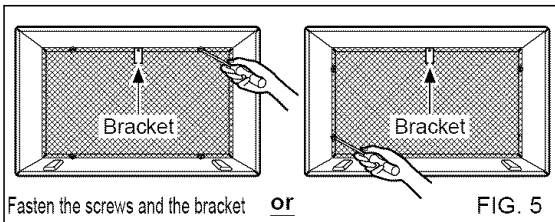


## PROCEDURE A

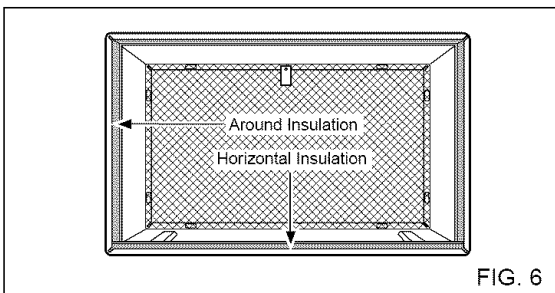
- 1** If you are using the new sleeve (optionally supplied with your unit), skip to step 3. Otherwise, install the plastic grille from the kit. Cut the plastic grille to 25-1/2" wide and 15-1/4" high. Place the plastic grille to the inside of the wall sleeve at the rear flange.



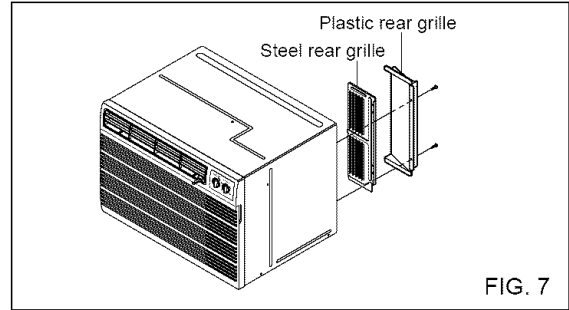
- 2** Fasten the 4 washer screws to secure the grille to the wall sleeve. If you need plastic nuts to mount plastic grille to the inside of the wall sleeve, there are plastic nuts in the installation kit. The nuts are installed from the inside of the sleeve and are pressing into the square holes of the rear flanges. Fasten the bracket to the upside of the wall sleeve using the washer screw. The bracket prevents the unit from leaving the sleeve.



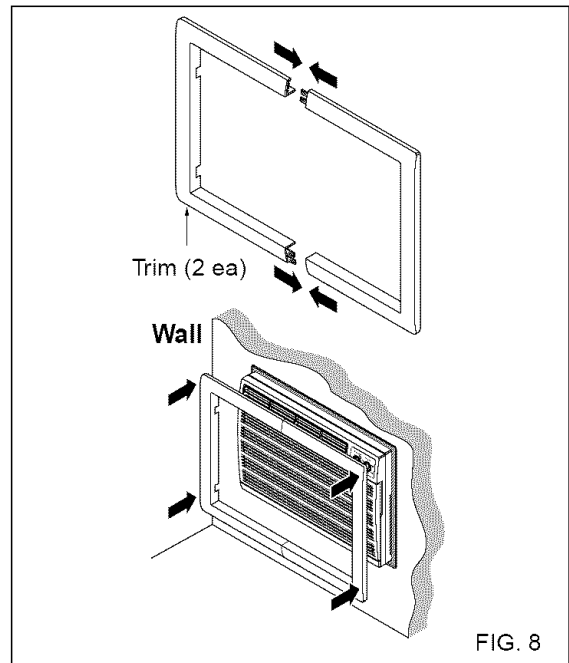
- 3** Remove the backing from the Horizontal Insulation strip 13 3/8" x 5/8" x 27 3/16" and attach that to the inside bottom of the sleeve as shown below. Remove the backing from the Around Insulation strip 13 3/8" x 3/4" x 61 1/2" and attach that to the inside front of the sleeve as shown below.



- 4** Remove the metal rear grille and replace it with the plastic rear grille to improve unit energy efficiency. The plastic grille reduces the amount of hot air discharge that recirculates through the unit.



- 5** Install the new unit into the wall sleeve.
- 6** To assemble trim, snap the tab of each piece into the slot of the other piece as shown below. Slide trim over the front of the air conditioner until trim is flush with sleeve as shown below.

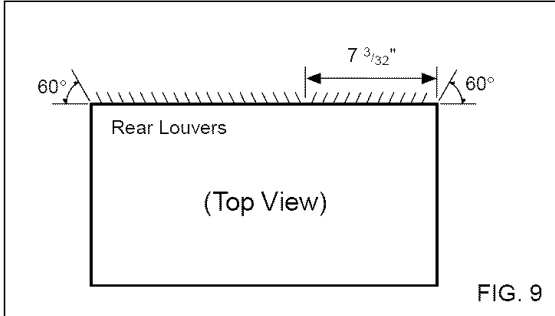


### CAUTION

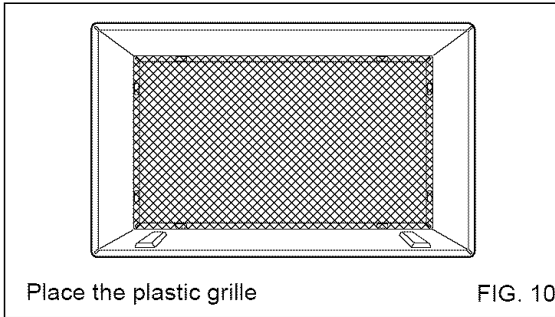
- Air conditioners covered in this manual pose an excessive weight hazard. Two or more people are needed to move and install the unit. To prevent injury or strain, use proper lifting and carrying techniques when moving unit.
- When handling the air conditioner, be careful to avoid cuts from sharp metal fins on front and rear coils.
- Make sure air conditioner does not fall during removal.
- If unit does not operate after installation check, to be sure the circuit interrupter has not been tripped. Refer to the Troubleshooting guide for reset procedure.

## PROCEDURE B

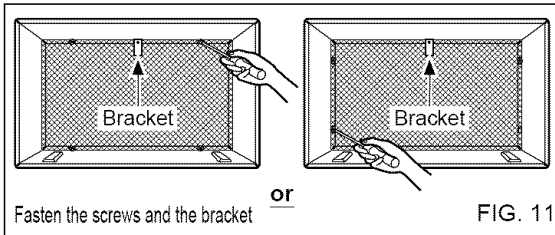
- 1** Redirect the louvers at the back of the wall sleeve to 60° angle as shown in the FIG 9. The use of pliers is recommended.



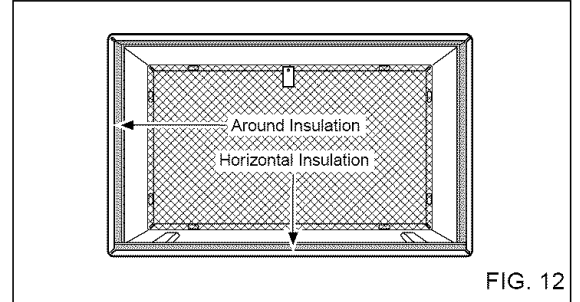
- 2** If the wall sleeve already has a rear grille, skip to step 4. If the wall sleeve does not have a rear grille or louvered panel, install the plastic grille from the kit. Cut the plastic grille to 25-1/2" wide and 15-1/4" high. Place the plastic grille to the inside of the wall sleeve at the rear flange.



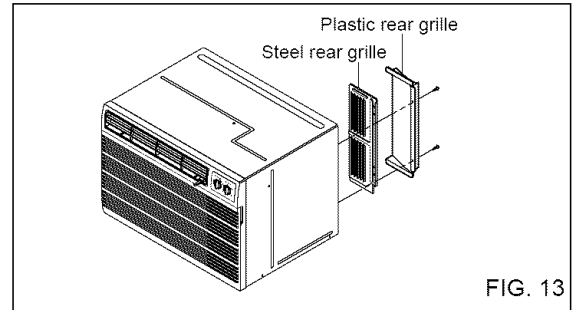
- 3** Fasten the 4 washer screws to secure the grille to the wall sleeve. If you need plastic nuts to mount plastic grille to the inside of the wall sleeve, there are plastic nuts in the installation kit. The nuts are installed from the inside of the sleeve and are pressed into the square holes of the rear flanges. Fasten the bracket to the upside of the wall sleeve using the washer screw. The bracket prevents the unit from leaving the sleeve.



- 4** Remove the backing from the Horizontal Insulation strip 13/8" x 5/8" x 27 3/16" and attach that to the inside bottom of the sleeve as shown below. Remove the backing from the Around Insulation strip 13/8" x 3/4" x 61 1/2" and attach that to the inside front of the sleeve as shown below.



- 5** Remove the metal rear grille and replace it with the plastic rear grille to improve unit energy efficiency. The plastic grille reduces the amount of hot air discharge that recirculates through the unit.

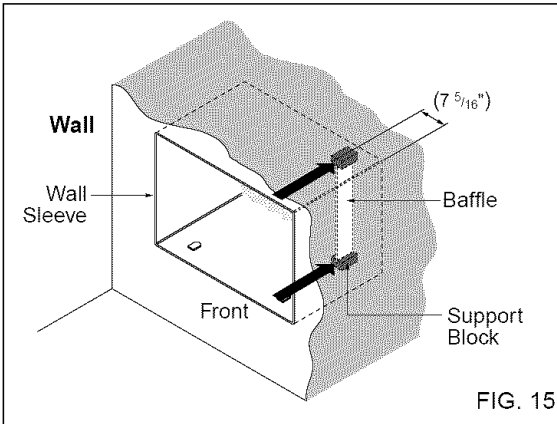


- 6** If the depth of your existing wall sleeve is less than or equal to 18", skip to step 7. Otherwise, cut the baffles and the support blocks according to length "A" in the table below.

Depth "D" of the existing wall sleeve (inches)	Length "A" (inches)	
18 < D ≤ 18-5/8	3/4	
18-5/8 < D ≤ 19-3/4	1-3/4	
19-3/4 < D ≤ 22	4	

## PROCEDURE B CONTINUED

- 7 Remove the backing from the support blocks and attach them to the inside of the wall sleeve as shown FIG 15. Slide the baffle into slots of the support blocks.



- 8 Install the new unit into the wall sleeve.
- 9 Assemble trim as described in Step 6, Procedure A.

### **CAUTION**

- Air conditioners covered in this manual pose an excessive weight hazard. Two or more people are needed to move and install the unit. To prevent injury or strain, use proper lifting and carrying techniques when moving unit.
- When handling the air conditioner, be careful to avoid cuts from sharp metal fins on front and rear coils.
- Make sure air conditioner does not fall during removal.
- If unit does not operate after installation check, to be sure the circuit interrupter has not been tripped. Refer to the Troubleshooting guide for reset procedure.

## PROCEDURE C

- 1** Redirect the louvers at the back of the wall sleeve to 60° angle as shown in the FIG 16. The use of pliers is recommended.

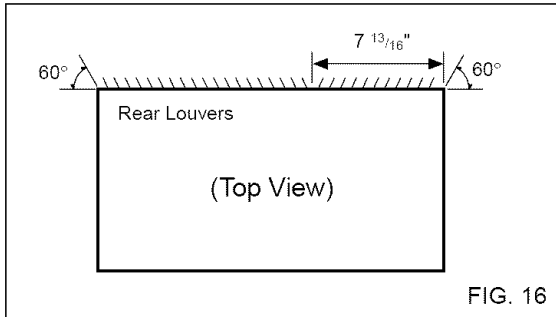
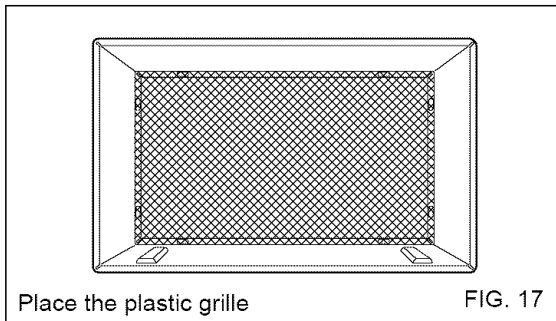


FIG. 16

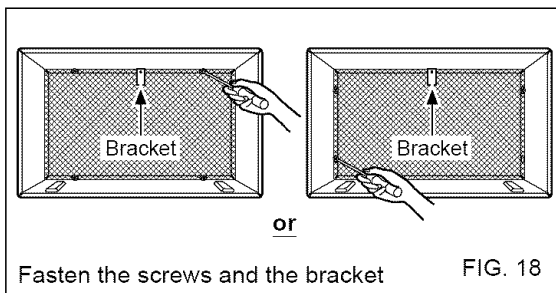
- 2** If the wall sleeve already has a rear grille, skip to step 4. If the wall sleeve does not have a rear grille or louvered panel, install the plastic grille from the kit. Cut the plastic grille to 26-1/2" wide and 15-1/2" high or to the sleeve dimensions. Place the plastic grille to the inside of the wall sleeve at the rear flange.



Place the plastic grille

FIG. 17

- 3** Fasten the 4 washer screws to secure the grille to the wall sleeve. If you need plastic nuts to mount plastic grille to the inside of the wall sleeve, there are plastic nuts in the installation kit. The nuts are installed from the inside of the sleeve and are pressed into the square holes of the rear flanges. Fasten the bracket to the upside of the wall sleeve using the washer screw. The bracket prevents the unit from leaving the sleeve.



Fasten the screws and the bracket

FIG. 18

- 4** Remove the backing from the Horizontal Insulation strip 1 3/8" x 1 3/8" x 27 3/16" and attach that to the inside bottom of the sleeve as shown below. Remove the backing from the Around Insulation strip 1 3/8" x 1 3/8" x 61 1/2" and attach that to the inside front of the sleeve as shown below.

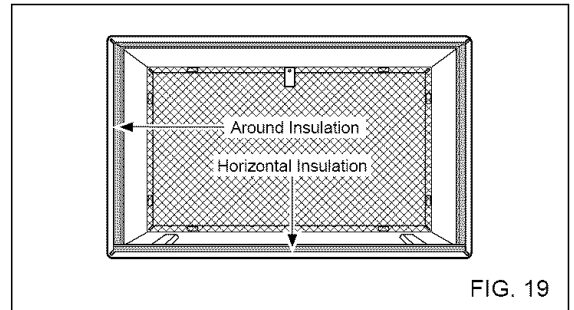


FIG. 19

- 5** If the depth of your existing sleeve is less than or equal to 18", skip to step 7. Otherwise, cut the baffles and the support blocks according to Length "A" in the table below.

Depth "D" of the existing wall sleeve (inches)	Length "A" (inches)
$18 < D \leq 18\text{-}5/8$	$3/4$
$18\text{-}5/8 < D \leq 19\text{-}3/4$	$1\text{-}3/4$
$19\text{-}3/4 < D \leq 22$	4

FIG. 20

- 6** Remove the backing from the support blocks and attach them to the inside of the wall sleeve as shown FIG 21. Slide the baffle into slots of the support blocks

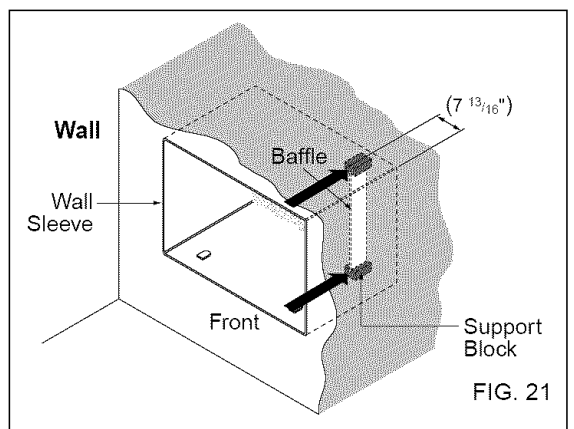
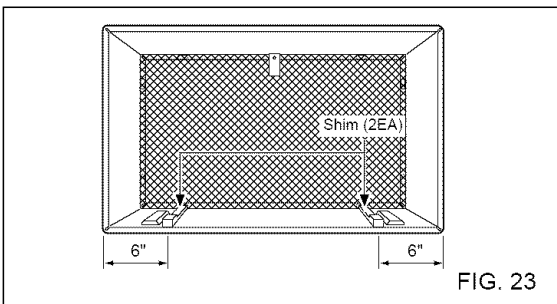
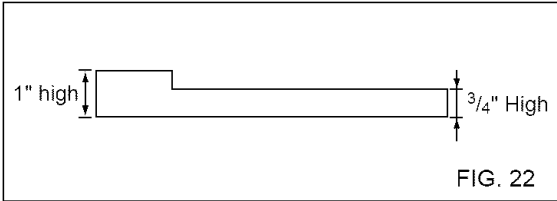


FIG. 21

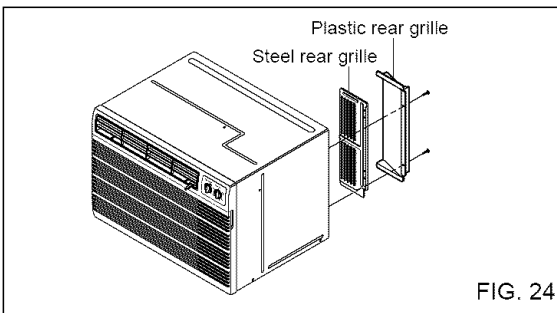


## PROCEDURE C CONTINUED

- 7** Remove the backing from the 13" shim strips and attach them as shown below in Fig. 22. The higher portion of shim is to be placed in front of the rib on the base of wall sleeve.



- 8** Remove the metal rear grille and replace it with the plastic rear grille to improve unit energy efficiency. The plastic grille reduces the amount of hot air discharge that recirculates through the unit.



- 9** Install the new unit into the wall sleeve

- 10** Assemble trim as described in Step 6, Procedure A.

## CAUTION

- Air conditioners covered in this manual pose an excessive weight hazard. Two or more people are needed to move and install the unit. To prevent injury or strain, use proper lifting and carrying techniques when moving unit.
- When handling the air conditioner, be careful to avoid cuts from sharp metal fins on front and rear coils.
- Make sure air conditioner does not fall during removal.
- If unit does not operate after installation check, to be sure the circuit interrupter has not been tripped. Refer to the Troubleshooting guide for reset procedure.

# Before you call for service...

## Trouble Shooting Tips

*Troubleshooting Tips Save Time and Money!  
Review the chart below first and you may not need to call for service.*

## Normal Operation

- You may hear a pinging noise caused by water being picked up and thrown against the condenser on rainy days or when the humidity is high. This design feature helps remove moisture and improve efficiency.
- You may hear the thermostat click when the compressor cycles on and off.
- Water will collect in the base pan during high humidity or on rainy days. The water may overflow and drip from the outdoor side of the unit.
- The fan may run even when the compressor does not.

## Abnormal Operation

Problem	Possible Causes	What To Do
<b>Air conditioner does not start</b>	■ The air conditioner is unplugged.	• Make sure the air conditioner plug is pushed completely into the outlet.
	■ The fuse is blown/circuit breaker is tripped.	• Check the house fuse/circuit breaker box and replace the fuse or reset the breaker.
	■ Power failure.	• If power failure occurs, turn the mode control to <b>OFF</b> . When power is restored, wait 3 minutes to restart the air conditioner to prevent tripping of the compressor overload.
	■ The current interrupter device is tripped.	• Press the RESET button located on the power cord plug. If the RESET button will not stay engaged, discontinue use of the air conditioner and contact a qualified service technician.
<b>Air conditioner does not cool as it should</b>	■ Airflow is restricted.	• Make sure there are no curtains, blinds, or furniture blocking the front of the air conditioner.
	■ The THERMOSTAT may not be set high enough.	• Turn the knob to the coolest temperature setting to the right. The cooler setting provides maximum cooling.
	■ The air filter is dirty.	• Clean the filter at least every 2 weeks. See the operating instructions section.
	■ The room may have been hot.	• When the air conditioner is first turned on, you need to allow time for the room to cool down.
	■ Cold air is escaping.	• Check for open furnace floor registers and cold air returns. • Set the air conditioner's vent to the closed position.
■ Cooling coils have iced up.	• See Air Conditioner Freezing Up below.	
<b>Air conditioner freezing up</b>	■ Ice blocks the air flow and stops the air conditioner from cooling the room.	• Set the mode control at <b>Med Fan</b> or <b>High Cool</b> with the thermostat towards the left.



Friedrich Air Conditioning-Co.  
P.O. Box 1540  
San Antonio, TX 78295-1540  
(210) 357-4400

## THRU-THE-WALL LIMITED WARRANTY

### FIRST YEAR

**ANY PART:** If any Part supplied by FRIEDRICH fails because of a defect in workmanship or material within twelve months from the date of original purchase, FRIEDRICH will repair the product at no charge, provided room air conditioner is reasonably accessible for service. Any additional labor cost for removing inaccessible units will be the responsibility of the owner. This remedy is expressly agreed to be the exclusive remedy within twelve months from the date of the original purchase.

### SECOND THROUGH FIFTH YEAR

**SEALED REFRIGERANT SYSTEM:** If the sealed refrigeration system (defined for this purpose as the compressor, condenser coil, evaporator coil, reversing valve, check valve, capillary, filter drier, and all interconnecting tubing) supplied by FRIEDRICH in your Room Air Conditioner fails because of a defect in workmanship or material within Sixty months from the date of purchase, FRIEDRICH will pay a labor allowance and parts necessary to repair the Sealed Refrigeration System; **PROVIDED** FRIEDRICH will not pay the cost of diagnosis of the problem, removal and transportation of the air conditioner to and from the Service Agency, and the reinstallation charges associated with repair of the Sealed Refrigeration System. All such cost will be the sole responsibility of the owner. This remedy is expressly agreed to be the exclusive remedy within sixty months from the date of the original purchase.

**APPLICABILITY AND LIMITATIONS:** This warranty is applicable only to units retained within the Fifty States of the U.S.A., District of Columbia, and Canada. This warranty is not applicable to:

1. Air filters or fuses.
2. Products on which the model and serial numbers have been removed.
3. Products which have defects or damage which results from improper installation, wiring, electrical current characteristics, or maintenance; or caused by accident, misuse or abuse, fire, flood, alterations and/or misapplication of the product and/or units installed in a corrosive atmosphere, default or delay in performance caused by war, government restrictions or restraints, strikes, material shortages beyond the control of FRIEDRICH, or acts of God.

**OBTAINING WARRANTY PERFORMANCE:** Service will be provided by the **FRIEDRICH Authorized Dealer or Service Organization** in your area. They are listed in the Yellow Pages. If assistance is required in obtaining warranty performance, write to: Room Air Conditioner Service Manager, Friedrich Air Conditioning Co., P.O. Box 1540, San Antonio, TX 78295-1540.

**LIMITATIONS: THIS WARRANTY IS GIVEN IN LIEU OF ALL OTHER WARRANTIES.** Anything in the warranty notwithstanding, **ANY IMPLIED WARRANTIES OF FITNESS FOR PARTICULAR PURPOSE AND/OR MERCHANTABILITY SHALL BE LIMITED TO THE DURATION OF THIS EXPRESS WARRANTY. MANUFACTURER EXPRESSLY DISCLAIMS AND EXCLUDES ANY LIABILITY FOR CONSEQUENTIAL OR INCIDENTAL DAMAGE FOR BREACH OF ANY EXPRESSED OR IMPLIED WARRANTY.**

**NOTE:** Some states do not allow limitations on how long an implied warranty lasts, or do not allow the limitation or exclusion of consequential or incidental damages, so the foregoing exclusions and limitations may not apply to you.

**OTHER:** This warranty gives you specific legal rights, and you may also have other rights which vary from state to state.

**PROOF OF PURCHASE:** Owner must provide proof of purchase in order to receive any warranty related services.

All service calls for explaining the operation of this product will be the sole responsibility of the consumer.

All warranty service must be provided by an **Authorized FRIEDRICH Service Agency**, unless authorized by FRIEDRICH prior to repairs being made.

In case of questions regarding the provisions of this warranty, the English version will govern.

Revised (01/05)



***Friedrich***<sup>®</sup>

**FRIEDRICH AIR CONDITIONING CO. INC.**

PO Box 1540 • San Antonio, Texas 78295-1540

4200 N. Pan Am Expressway • San Antonio, Texas 78218-5212

(210) 357-4400 • FAX (210)357-4490

Visítenos en Internet: [www.friedrich.com](http://www.friedrich.com)

Impreso en Corea