

1.4.3 Installing the EP Cartridge

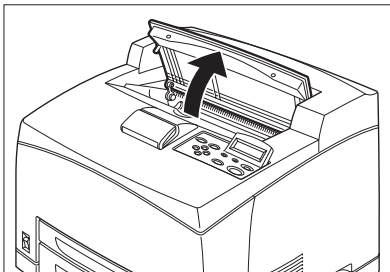
1

When installing the EP cartridge, take note of the following points:

⚠ Warning Never throw an EP cartridge into an open flame. It can cause an explosion and you can get burnt.

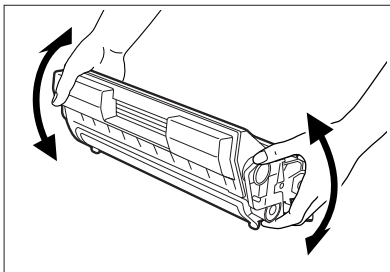
- Do not subject it to direct sunlight or strong light.
- When installing the EP cartridge, select a location not subject to strong light and try to finish the installation within 5 minutes.
- Do not touch the surface of the photosensitive drum. Do not stand or place the EP cartridge upside down. The drum might get damaged.
- A drum shutter protects the photosensitive drum from light. Do not open the drum shutter.
- Although the toner is not harmful to the body, wash it off immediately if your hands or clothes are stained with it.
- It is recommended to use up the EP cartridge within 1 year after opening it.

Refer to "5.2.2 Replacing the EP Cartridge" for details when replacing the EP cartridge.



① Open the top cover.

Important Do not touch any parts inside the printer.

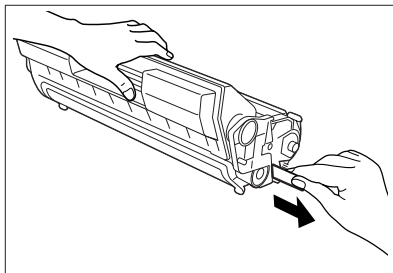


② Take the EP cartridge out of the box and shake it 7 to 8 times as shown in the diagram.

Note: □
The user is cautioned that changes or modifications not expressly approved by the party responsible for compliance could void the user's authority □
to operate the equipment.

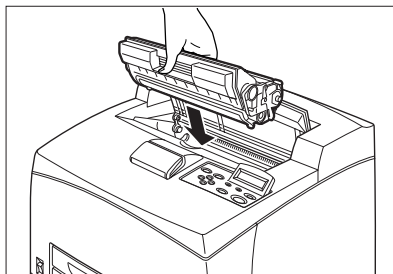
1.4 Installation Procedure

1



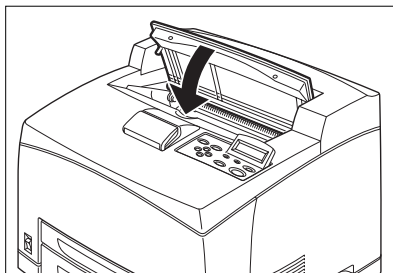
③ Place the EP cartridge on a flat surface and pull the seal out horizontally.

- Important**
- When pulling out the seal, pull it out horizontally. The tape might break if it is pulled out diagonally.
 - After the seal has been pulled out, do not shake or bump the EP cartridge.



④ Hold the EP cartridge by the grip and insert it into the slot inside the printer.

- Important**
- Do not touch any parts inside the printer.
 - Ensure that the EP cartridge is firmly set.



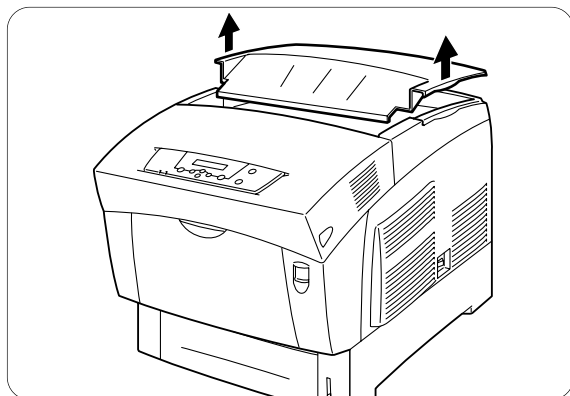
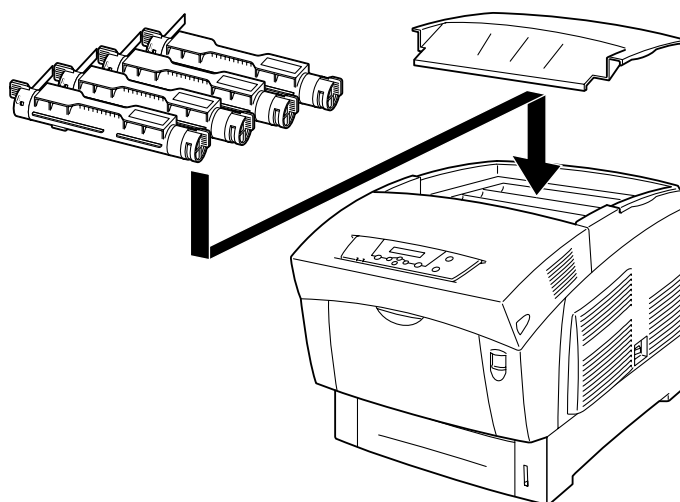
⑤ Close the top cover securely.

1.4.4 Installing the Toner Cartridges

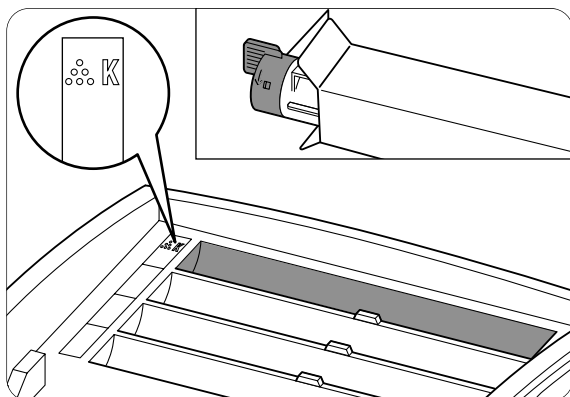
Follow the procedure below to install the toner cartridges



The toner is harmless but should still be washed off immediately if it comes into contact with hands or clothing.

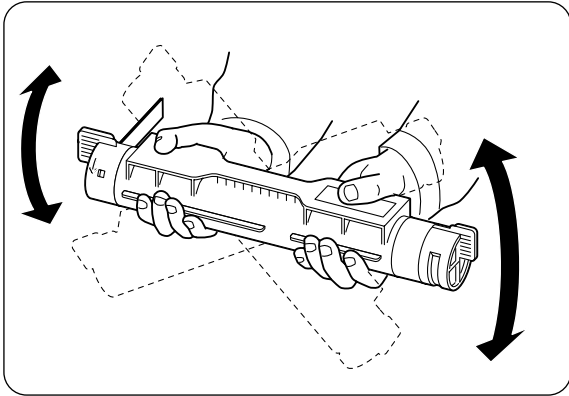


1 Remove the top cover.

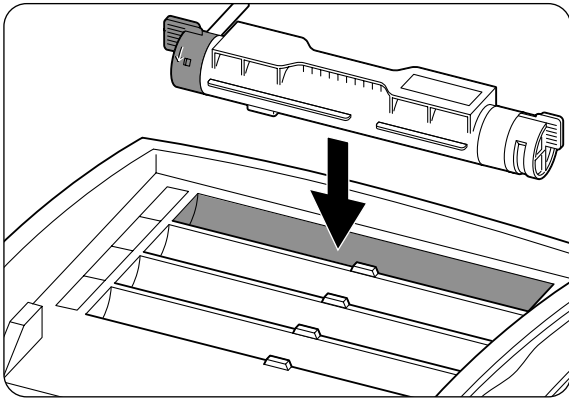


2 Select the new toner cartridge whose color matches the cartridge holder and remove it from its packaging.

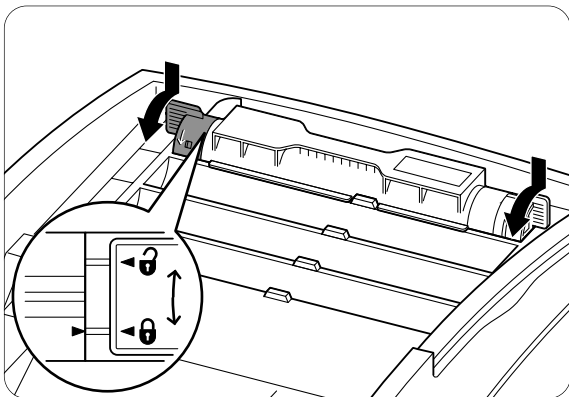
1.4 Installation Procedure



- ③ Shake the toner cartridge 7 or 8 times as shown in the illustration to distribute the toner evenly.



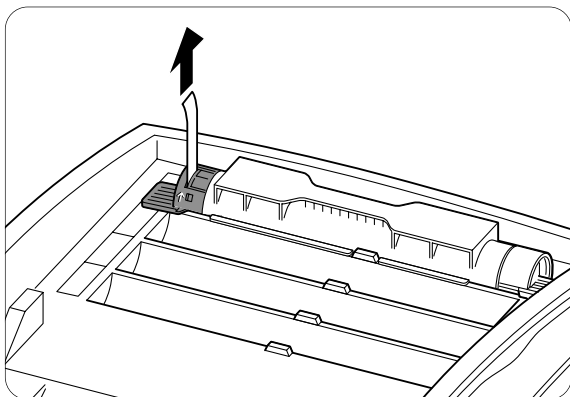
- ④ Align the toner cartridge with the corresponding insertion point in the printer and insert it as shown in the illustration.



- ⑤ Grip the levers at each end of the toner cartridge with your fingers, then push down firmly to rotate the levers forward.

1.4 Installation Procedure

1

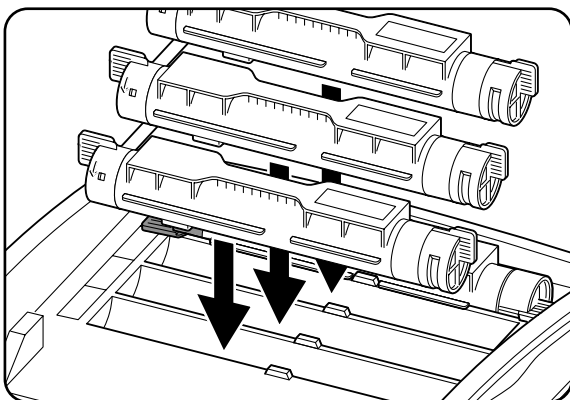


- ⑥ Pull the toner seal straight up to remove it.

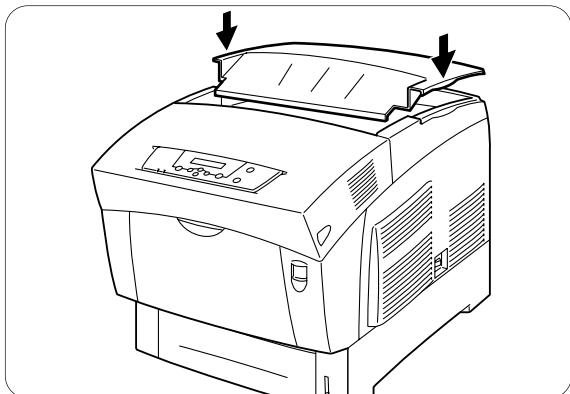
LOOK



Pull the toner seal straight up. Pulling the toner seal diagonally may tear the seal.



- ⑦ Repeat steps ② - ⑥ to install the remaining toner cartridges.



- ⑧ Replace the top cover.