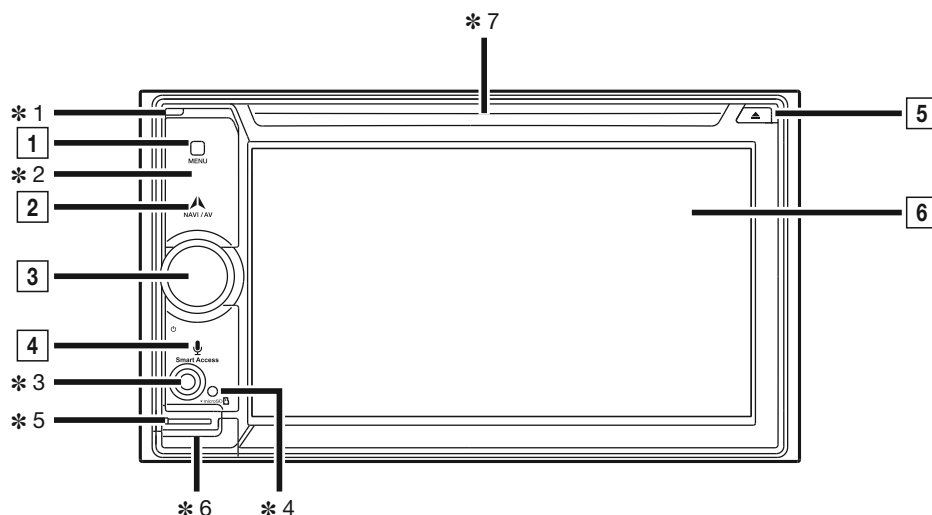


Names and functions of parts

The following describes the button names on the operation panel of the unit and their functions.

NX604

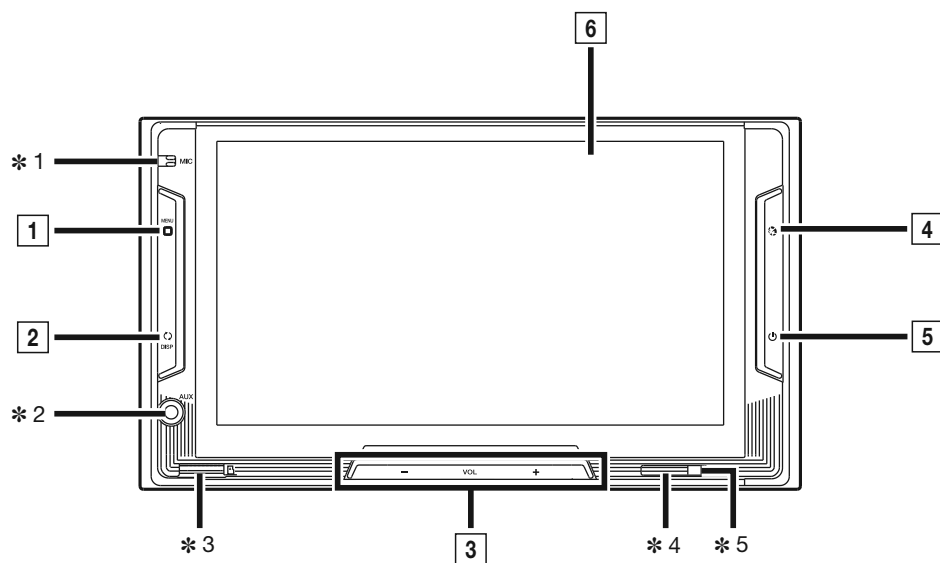


Insert and remove the microSD card after turning off the unit, because the microSD card might get damage.

- * 1 This is the built-in microphone. This is used as the microphone for the hands free function when the unit is connected to a Bluetooth compatible cellphone by a wireless connection.
- * 2 This is the remote control sensor. This receives the signal from the remote control (sold separately).
- * 3 This is the AUX terminal. Audio and video from external devices connected to this terminal can be played when the audio mode is switched to AUX. → P.28
- * 4 This is the Antitheft Indicator. This light blinks when the Antitheft Activation setting is set to "ON" to indicate that the antitheft function is activated. → P.42
- * 5 This is where the microSD card is inserted to enjoy data in microSD cards. → P.10
- * 6 The map microSD is housed in here. To update the map, open this cover, and remove and insert the card.
Do not open the cover for other operations.
- * 7 This is where DVD video, CD, MP3, WMA, and DivX discs are inserted. → P.10

This document uses the following inline graphics and conventions to indicate operations using the buttons on the operation panel.

Number	Inline graphic	Description of operation	
1	MENU	Short press	This displays the main menu screen.
2	NAVI AV	Short press	This switches between the current position map screen and currently selected audio screen.
3	—	Turn	This is the rotary volume knob. Use this to adjust the volume of the audio-visual function or the route audio guidance, etc.
		Short press	This turns off the screen and stops audio output.
4	Smart Access	Short press	This starts up the voice recognition application. → P.37
		Long press	This starts up Smart Access.
5		Short press	This ejects the disc inserted in the unit.
6	—	Touch	This is the monitor and touch panel. This functions as a touch panel by touching the screen when it is displayed.



Insert and remove the microSD card after turning off the unit, because the microSD card might get damage.

- * 1 This is the built-in microphone. This is used as the microphone for the hands free function when the unit is connected to a Bluetooth compatible cellphone by a wireless connection.
- * 2 This is the AUX terminal. Audio and video from external devices connected to this terminal can be played when the audio mode is switched to AUX. → P.28
- * 3 This is where the microSD card is inserted to enjoy data in microSD cards. → P.10
- * 4 This is the remote control sensor. This receives the signal from the remote control (sold separately).
- * 5 This is the Antitheft Indicator. This light blinks when the Antitheft Activation setting is set to "ON" to indicate that the antitheft function is activated. → P.42

This document uses the following inline graphics and conventions to indicate operations using the buttons on the operation panel.

Number	Inline graphic	Description of operation	
1	MENU	Short press	This displays the main menu screen.
2	DISP	Short press	This switches to the audio screen.
3	VOL+ VOL-	Short press	Use this to adjust the volume of the audio-visual function.
4	Smart Access	Short press	This starts up Smart Access.
5	POWER	Short press	This turns off the screen and stops audio output.
6	—	Touch	This is the monitor and touch panel. This functions as a touch panel by touching the screen when it is displayed.

Basic method of use

Turning the power on

1 Turn the engine key to the “ACC” or “ON” position.

The unit turns on. After the opening screen is displayed, touch **OK**. The current position map screen or the audio screen is displayed.

When the engine key is turned to the “OFF” position, the unit is turned off.

MEMO:

- When the Antitheft Activation function is set, the password entry screen is displayed. → P.42

How to use menus

The unit has a main menu for using all functions and a shortcut menu that groups together frequently used functions. Use of the shortcut menu allows you to quickly access frequently used functions.

1 MENU

The main menu screen is displayed.



Touching the main menu screen and quickly sliding your finger up or down then removing it, moves you to the previous or next page. This operation is called flicking.

Screens can be changed by slowly sliding your finger across the screen.



Touch these to move to the previous or next menu screen.

Smart Access :

This displays the Smart Access mode. → P.35

DVD/CD :

This displays the DVD, CD or DivX modes. (NX604 only)
→ P.17, P.20, P.22

Tuner :

This displays the radio mode. → P.11

SiriusXM :

This displays the SiriusXM Satellite Radio mode. → P.14

Navigation :

This displays the navigation mode. (NX604 only) → “Owner’s Manual - Navigation”

USB / iPod :

This displays the USB audio mode or iPod audio/iPod video mode. → P.22, P.24

Phone :

This displays the telephone mode. → P.33

SD :

This displays the SD audio mode. → P.22

BT Audio :

This displays the Bluetooth audio mode. → P.26

Pandora Radio :

This displays the Pandora Radio mode. → P.30

AUX1 :

This displays the AUX1 mode. → P.28

AUX2 :

This displays the AUX2 mode. → P.28



(Settings) :

This displays the various setting screens. → P.41

Using the shortcut menu

You can open a shortcut menu by touching **>** in the top screen of a function selected from the main menu screen.

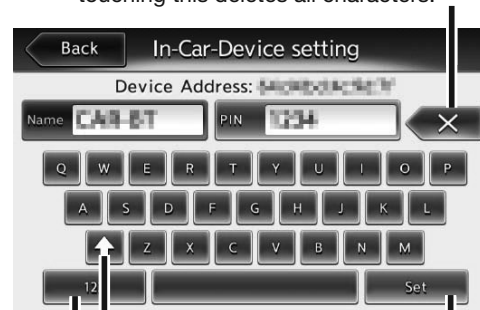
Up to five frequently used functions can be registered to the shortcut menu. → P.42

Touching **<** returns the screen to the previous screen.

How to enter text

In the text entry screen, letters and numbers can be entered by touching the keypad.

This deletes one character. Continuously touching this deletes all characters.



This switches between uppercase and lowercase.

This switches to the alphabet/number entry mode.

This applies the character string you entered.

Operating lists

When a list contains many items, the list is displayed over two or more pages.

☐ Moving between pages in a list

1 **▽** or **▲**



You can also scroll through pages in a list by flicking.

☐ Using the index to select a list



When alphabet keys are displayed on the left side of the screen, items beginning with the letter of the alphabet that was touched can be displayed as a list. The following example explains how to select items beginning with the letter “B” from the list.

1 **B**





Items beginning with “B” are displayed.

2 Select the relevant item from the list.

If all indexes are not displayed, either touch  or  or flick to move to the next page.

□ Adjusting numerical values

When  and  are displayed, numerical values, volume, etc. can be adjusted.

Inserting and removing discs (NX604 only)

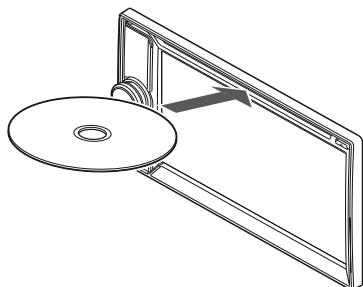
To enjoy data in CD, MP3/WMA or DVD discs, the disc must be loaded into the unit.

— Attention —

- Do not leave discs protruding from the loading slot. Either insert them completely or remove them.
- Do not touch the recording surface (shiny side) of the disc.
- Do not insert two discs at the same time.

□ How to insert discs

- 1 Insert the disc into the loading slot with its label surface face up.

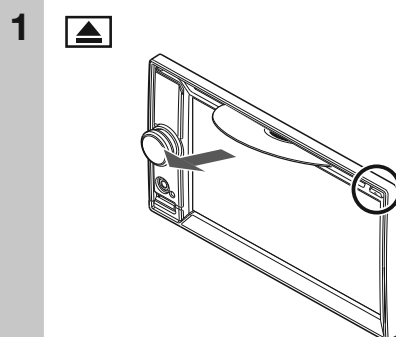


The disc is drawn in. After a while, the disc starts playing.

When the disc is inserted a short way, it is automatically drawn in. If the disc is not drawn in, this means that a disc is already loaded.

Do not exert unnecessary force when inserting discs. First remove the disc that is already loaded, and then load the new disc.

□ How to remove discs



1 The disc is ejected.

- 2 Remove the disc.

MEMO:

- If a disc is not removed immediately, after a while it is automatically drawn in again.

Inserting and removing the microSD card (NX604)

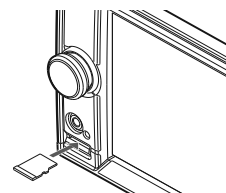
To enjoy MP3/WMA data in microSD cards, the microSD card must be loaded into the unit.

— Attention —

- Insert and remove the microSD card after turning off the unit, because the microSD card might get damage.
- The map microSD card is already inserted into the microSD card loading slot under the slot cover. If the map microSD card is removed, the unit does not function. Do not remove or insert the map microSD card except to update map information.
- Do not touch the terminal surface of microSD cards.

□ How to insert the microSD card

- 1 Insert the microSD card into the loading slot with its label surface face up.



Firmly insert the microSD card as far as it can go.

□ How to remove the microSD card

- 1 Grip the microSD card with your fingers and pull it out. To remove the microSD card, grip it with your fingers and pull it out.

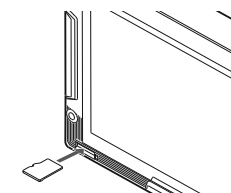
Inserting and removing the microSD card (FX503)

— Attention —

- Do not touch the terminal surface of microSD cards.

□ How to insert the microSD card

- 1 Insert the microSD card into the loading slot with its label surface face down.



Firmly insert the microSD card as far as it can go until you hear it click in place.

□ How to remove the microSD card

- 1 Push in the microSD card. The microSD card springs out slightly.
- 2 Remove the microSD card. To remove the microSD card, grip it with your fingers and pull it out. The microSD card might spring out.