

## FV95A Series All-Position Gas Furnace

95% AFUE – Two-Stage, Variable Speed

### STANDARD FEATURES:

Designed for all-position installation: upflow, downflow and horizontal  
40" high, for ease of installation

AL 29 - 4C stainless steel secondary heat exchanger

Industry-proven, integrated hot surface ignition control with igniter and flame sensor positioned in coolest part of flame for ultimate performance and longevity

Aluminized-steel multi-port in-shot burners provide smooth ignition coupled with superior flame stability, low noise and reliability

California low NOx approved

Insulated cabinet to increase efficiency and reduce sound levels

Single or two-stage thermostat ready

Supports two-stage cooling units

Electronic air cleaner and humidifier terminals

### EASY TO INSTALL AND SERVICE:

Built-in self diagnostics with fault code view without removing the door

All-position capability easily converts from upflow to horizontal left and right position with minimum effort

Easily removable blower with slide-out design

Factory shipped for natural gas, with LP Gas conversion kits available

Left or right side gas and electrical connections

Active and passive dehumidification in conjunction with cooling system

The Fedders 95% High Efficiency All-Position Two-Stage Gas Furnaces are 40" tall and among the smallest in the industry. They are ready to accommodate the 13 SEER "A" Coils for today's more efficient air conditioning systems and the changing needs of home construction. The unique FV95A Series Furnace offers unmatched installation flexibility and provides consistent air circulation and temperature control.

### EFFICIENCY:

95% AFUE

Variable speed blower motor

Two-stage induced draft blower

### WARRANTY:

Lifetime limited warranty on heat exchanger

5-year limited warranty on all other parts



MODEL	INPUT (BTUH)	EFFICIENCY (AFUE %)	COOLING CAPACITY (Tons)	UNIT DIMENSIONS H x W x D (Inches)
FV95A0543A	54,000	95	1.5 - 3	40 x 17.5 x 29
FV95A0723A	72,000	95	1.5 - 3.5	40 x 20.5 x 29
FV95A0905A	90,000	95	2.5 - 5	40 x 20.5 x 29
FV95A1085A	108,000	95	2.5 - 5	40 x 24.5 x 29

# Product Specifications

95% AFUE, ALL-POSITION, TWO-STAGE, VARIABLE SPEED GAS FURNACE					
Model Number		FV95A0543A	FV95A0723A	FV95A0905A	FV95A1085A
Position		All-Position	All-Position	All-Position	All-Position
<b>Electrical Characteristics</b>					
Volts		120	120	120	120
Hertz		60	60	60	60
Phase		1	1	1	1
Operating Voltage Range (Min-Max)		102 - 132	102 - 132	102 - 132	102 - 132
Max Fuse or CKT Breakers (Amps)		15	15	15	15
Minimum Wire Size		14	14	14	14
<b>Performance Data - Input BTUH</b>					
Low		35,100	46,800	58,500	70,200
High		54,000	72,000	90,000	108,000
<b>Performance - Cooling Data</b>					
Furnace Cooling Category (Tons)		1.5 - 3	1.5 - 3.5	2.5 - 5	2.5 - 5
<b>AFUE%</b>					
Direct Vent (2 pipe)	Upflow	95	95	95	95
Direct Vent (2 pipe)	Horizontal / Downflow	94	94	94	94
<b>Min. Output Capacity</b>					
Direct Vent (2 pipe) - Low	Upflow	33,345	44,460	55,575	66,690
Direct Vent (2 pipe) - Low	Horizontal / Downflow	32,994	43,992	54,990	65,988
Direct Vent (2 pipe) - High	Upflow	51,300	68,400	85,500	102,600
Direct Vent (2 pipe) - High	Horizontal / Downflow	50,760	67,680	84,600	101,520
<b>Certified Temperature Rise</b>					
Temperature Rise (°F)	Low	35 - 65	35 - 65	35 - 65	35 - 65
Temperature Rise (°F)	High	35 - 65	35 - 65	35 - 65	35 - 65
<b>Airflow at 0.5" Static</b>					
Airflow CFM Approx	Low Heating $\Delta T$ 50°F	618	823	1,029	1,235
Airflow CFM Approx	High Heating $\Delta T$ 50°F	950	1,267	1,583	1,900
Airflow	Cooling Max	1,200	1,400	1,800	1,900
<b>Component Data</b>					
<b>Blower Information</b>					
Blower Diameter & Width (Inches)		11 x 7	11 x 7	11 x 10	11 x 10
Variable Speed Motor		3/4 hp - ECM	3/4 hp - ECM	1 hp - ECM	3/4 hp - ECM
Motor Speed		Variable	Variable	Variable	Variable
Motor Full Load Amps		7.7	9.6	12.8	9.6
<b>Inducer Draft Blower</b>					
Type		2-Speed	2-Speed	2-Speed	2-Speed

# Product Specifications

<b>95% AFUE, ALL-POSITION, TWO-STAGE, VARIABLE SPEED GAS FURNACE</b>				
<b>Model Number</b>	<b>FV95A0543A</b>	<b>FV95A0723A</b>	<b>FV95A0905A</b>	<b>FV95A1085A</b>
<b>Gas Controls</b>				
Minimum Inlet Pressure (in. wc)	5	5	5	5
Maximum Inlet Pressure (in. wc)	13.6	13.6	13.6	13.6
Gas Inlet (Inches)	1/2	1/2	1/2	1/2
LP Convertible	Yes	Yes	Yes	Yes
Low Nox Capability	Standard	Standard	Standard	Standard
<b>Ignition Device</b>				
Type	Hot Surface	Hot Surface	Hot Surface	Hot Surface
<b>General Component</b>				
Limit Control	SPST	SPST	SPST	SPST
Transformer (V.A.)	40	40	40	40
<b>Primary Heat Exchanger</b>				
Number of Burners	3	4	5	6
Heat Exchanger Type	Tubular	Tubular	Tubular	Tubular
Number of Tubes	3	4	5	6
Approximate BTUs / Tube HF	18,000	18,000	18,000	18,000
Tube Diameter (Inches)	1.75	1.75	1.75	1.75
Number of Passes	3	3	3	3
<b>Secondary Heat Exchanger</b>				
Heat Exchanger Type	29-4C SS	29-4C SS	29-4C SS	29-4C SS
Width / Depth (Inches)	12 / 16.5	15 / 16.5	17 / 16.5	19 / 16.5
Number of Circuits	21	30	38	45
Fin Type	Aluminum	Aluminum	Aluminum	Aluminum
FPI	7	7	7	7
Number of Rows	3	3	3	3
<b>Physical Data</b>				
<b>Cabinet Information</b>				
Cabinet Size (W) (Inches)	17.5	20.5	20.5	24.5
Cabinet Size (H) (Inches)	40	40	40	40
Cabinet Size (D) (Inches)	29	29	29	29
<b>Plenum Dimensions</b>				
Width (Inches)	16.5	19.5	19.5	24
Depth (Inches)	19	19	19	19
<b>Return Air Opening - Side</b>				
Height (Inches)	14	14	14	14
Depth (Inches)	22	22	22	22
<b>Return Air Opening - Bottom</b>				
Width (Inches)	16	19	19	23
Depth (Inches)	19	19	19	19
<b>Packaging</b>				
Package (W) (Inches)	18.5	21.5	21.5	25.5
Package (H) (Inches)	41	41	41	41
Package (D) (Inches)	30	30	30	30
Packaged Weight (lbs)	145	160	175	210

Note: 2" connections provided for combustion air intake and vent on all sizes.

# Product Specifications

## 95% AFUE, ALL-POSITION, TWO-STAGE, VARIABLE SPEED GAS FURNACE - ACCESSORIES

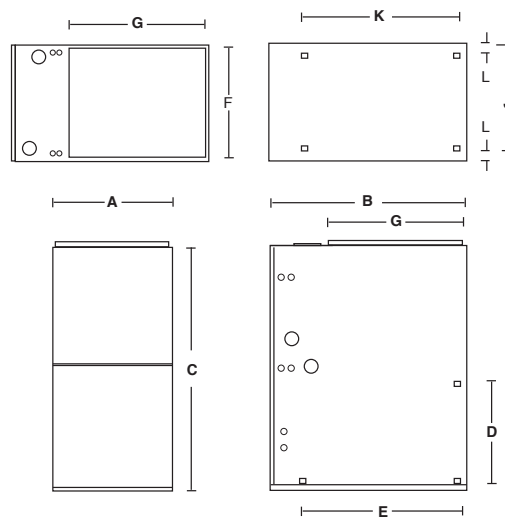
Unit Size - FT95A Series	Part Number	0543A	0723A	0905A	1085A
Concentric Termination Kit - 2 Inch	KGAS101CTKA-2	X	X	X	
Concentric Termination Kit - 3 Inch	KGAS101CTKA-3			X	X
Condensate Freeze Protection Kit	KGAS101CPKA	X	X	X	X
Natural to Propane Gas Conversion Kit	KGAS101ANPA	X	X	X	X
Propane to Natural Gas Conversion Kit	KGAS101APNA	X	X	X	X
EC motor Simulator	KGAS101EMSA	X	X	X	X
Door Gasket Kit	KGAS101DGKA	X	X	X	X
High Altitude Kit	KGAS101HAKA	X	X	X	X
Media Air Cleaner	KGAS101MACA	X	X	X	X
Electronic Air Cleaner	KGAS101EACA	X	X	X	X
Humidifier	KGAS101HDKA	X	X	X	X
External Filter Kit (Downflow)	KGAS101EFKA	X	X	X	X
Fossil Fuel Kit	KGAS101FFKA	X	X	X	X
Condensate Neutralizer Kit	KGAS101CPKA	X	X	X	X
Combustible Floor Base	KGAS101CFBA	X	X	X	X

## 95% AFUE, ALL-POSITION, TWO-STAGE, VARIABLE SPEED GAS FURNACE - PERFORMANCE DATA

MODEL	POSITIONS	AFUE	INPUT BTUH		OUTPUT BTUH		COOLING RANGE CAPACITY
			LOW	HIGH	LOW	HIGH	
FV95A0543A	All - 4	95%	31,500	54,000	33,345	51,300	1.5 - 3
FV95A0723A	All - 4	95%	46,800	72,000	44,460	66,400	1.5 - 3.5
FV95A0905A	All - 4	95%	58,500	90,000	55,575	85,500	2.5 - 5
FV95A1085A	All - 4	95%	70,200	108,000	66,690	102,600	2.5 - 5

### DIMENSIONS (inches)

MODEL INPUT	WIDTH A	DEPTH B	HEIGHT C	SUPPLY F x G
54,000	17.5	29	40	16.5 x 19
72,000	20.5	29	40	19 x 19
90,000	20.5	29	40	19 x 19
108,000	24.5	29	40	24 x 19
MODEL	RETURN			VENT
	SIDE	BOTTOM		
	D x E	J x K	L	H
54,000	14 x 22	16 x 19	3/4	2
72,000	14 x 22	16 x 19	3/4	2
90,000	14 x 22	19 x 19	3/4	2
108,000	14 x 22	23 x 19	3/4	2



### MINIMUM CLEARANCES TO COMBUSTIBLE CONSTRUCTION (INCHES)

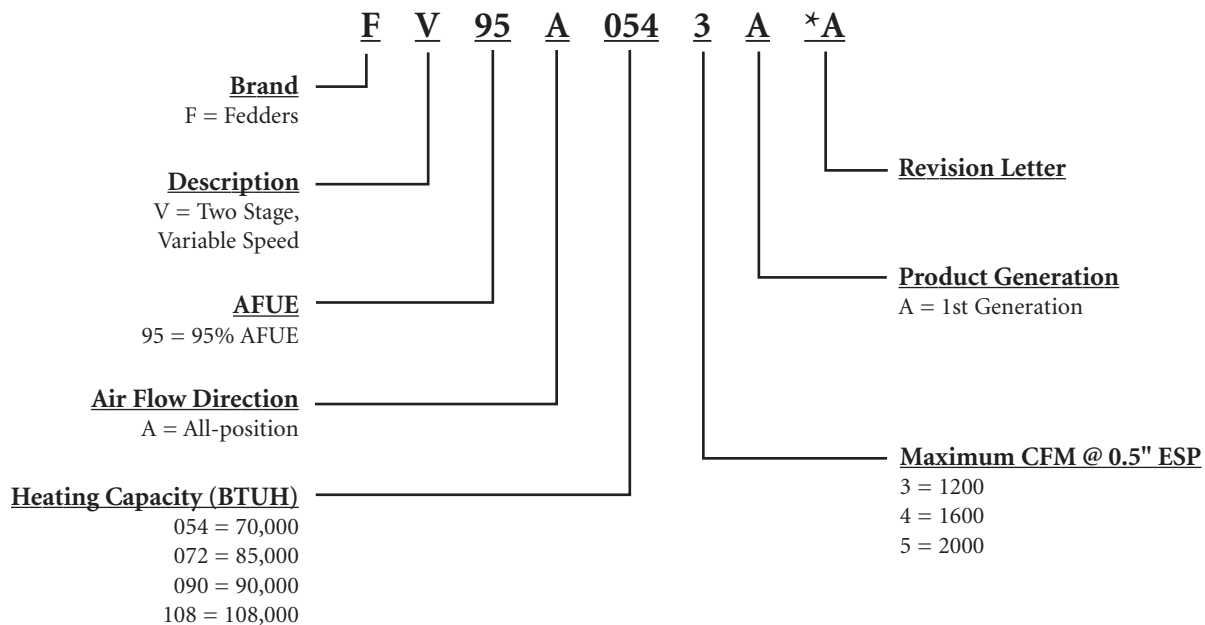
MODELS	TOP	FRONT	FLUE	BACK	LEFT SIDE	RIGHT SIDE	FLOOR	WARM AIR PLENUM
ALL	0 or C*	0	0	0	0	0	0 or C*	0.5 to Combustibles

C - Combustible floors, not recommended for linoleum or carpet

\* - When downflow, the top becomes the bottom.

# Product Specifications

## NOMENCLATURE:



Fedders Corporation  
505 Martinsville Rd.  
Liberty Corner, NJ 07938 USA  
(908) 604-8686  
Form No. F-V95-0108G

All product specifications reflect available information at the printing of this specification sheet. Fedders reserves the right to revise or modify products and/or specifications without notice. Copyright ©2008 Fedders North America, Inc. Fedders is a registered trademark of Fedders North America, Inc.

FD-054-0108-G