



SCANNDY

smartSCANNDY II
Quick Reference Guide

manufactured by:



Copyright Information

This Handbook contains copyrighted information from advanced PANMOBIL systems GmbH & Co. KG. You are only allowed access to the information and utilization as stated by the those that are responsible for the described devices.

This copyrighted information may not be changed for any purposes, duplicated, or shared with others without written authorization from advanced PANMOBIL systems GmbH & Co. KG.

Bettering Our Products

The continuing efforts to better our products is an underlining corporate principle at advanced PANMOBIL systems GmbH & Co. KG. Advanced PANMOBIL systems GmbH & Co. KG reserves the right to change any or all of the technical data and labels without any advanced notice.

Notice :

The changes or modifications not expressly approved by the party responsible for compliance could void the user's authority to operate the equipment.

IMPORTANT NOTE:

To comply with the FCC RF exposure compliance requirements, no change to the antenna or the device is permitted. Any change to the antenna or the device could result in the device exceeding the RF exposure requirements and void user's authority to operate the device.

FCC INFORMATION

The Federal Communication Commission Radio Frequency Interference Statement includes the following paragraph:

The equipment has been tested and found to comply with the limits for a Class B Digital Device, pursuant to part 15 of the FCC Rules. These limits are designed to provide reasonable protection against harmful interference in a residential installation. This equipment generates, uses and can radiate radio frequency energy and, if not installed and used in accordance with the instruction, may cause harmful interference to radio communication. However, there is no grantee that interference will not occur in a particular installation. If this equipment dose cause harmful interference to radio or television reception, which can be determined by turning the equipment off and on , the user is encouraged to try to correct the interference by one or more of the following measures:

- Reorient or relocate the receiving antenna.
- Increase the separation between the equipment and receiver.
- Connect the equipment into an outlet on a circuit different from that to which the receiver is connected.
- Consult the dealer or an experienced radio/TV technician for help.

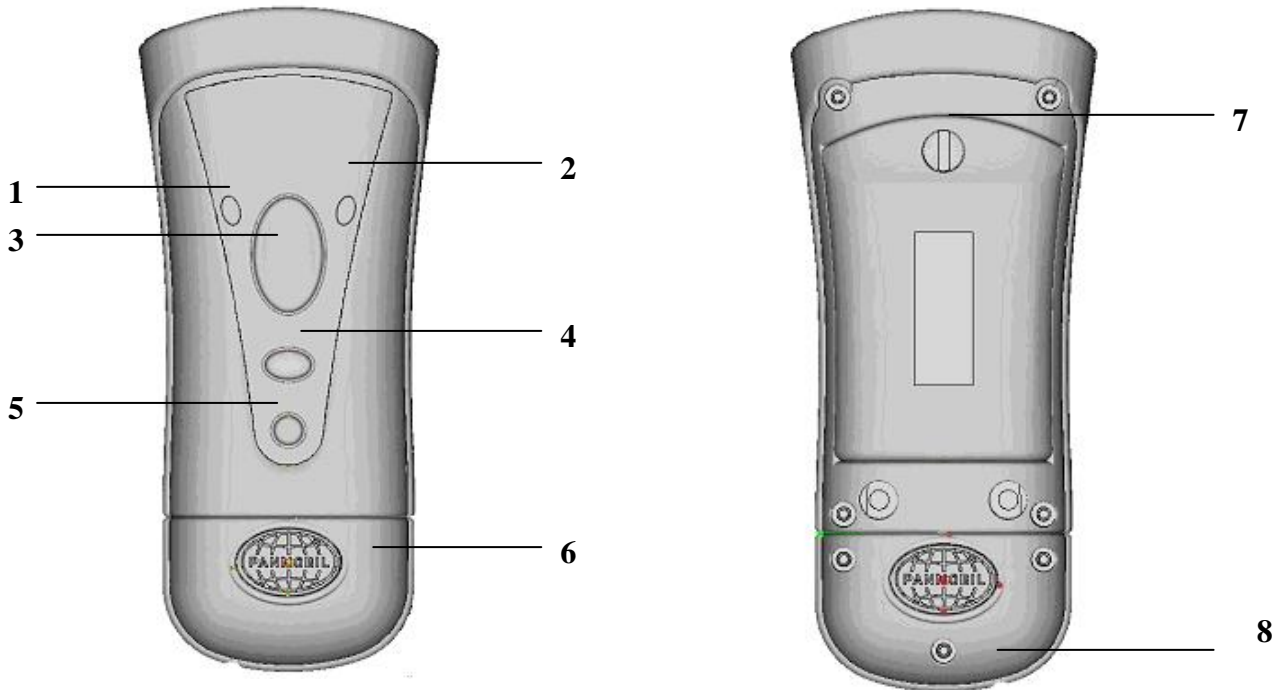
The user should not modify or change this equipment without written approval form advanced PANMOBIL systems GmbH & Co. KG. Modification could void authority to use this equipment.

For more information, please contact us at:
advanced PANMOBIL systems GmbH & Co. KG
Hansestrasse 91
51149 Cologne
Germany

E-mail: info@panmobil.com

PRODUCT REFERENCE

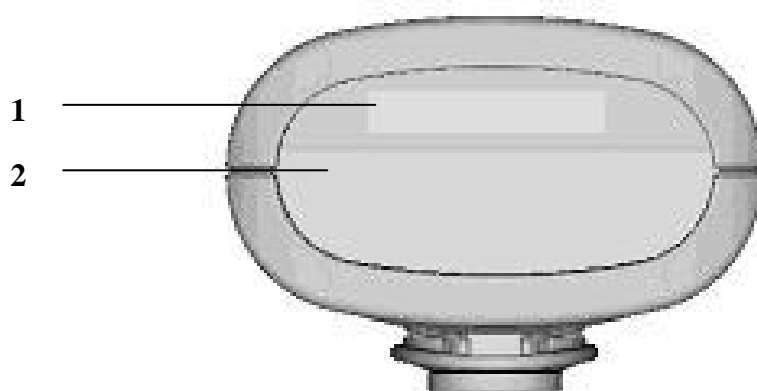
smartSCANNDY II



No.	Description	Function
1	Left LED (green) Left LED (red)	Green LED: Lights up green when smartSCANNDY is powered ON. Is flashing green (2 sec.) If battery is low (Other function can be defined by API) Red LED: Lights up red if connect to ext. power (USB or power adapter)
2	Right LED (yellow) Right LED (blue)	Yellow LED: Lights up yellow if a barcode or RFID Tags was read successfully. Is flashing yellow (500ms) when connected to USB (Other function can be defined by API) Blue LED: Lights up blue if Bluetooth connection is established (Other function can be defined by API)
3	Key 1 (Trigger Barcode or RFID reader)	Triggers the barcode and/or the RFID reader (Other function can be defined by API)
4	Key2 (Delete function)	Triggers the barcode and/or RFID reader. The captured Data will be deleted from the memory. (Other function can be defined by API)
5	Power ON/OFF	Power key to power the unit ON. Pressing this key for 3 sec. Switches the unit to standby mode. Pressing this key for 5 sec. powers the unit OFF
6	USB interface protect cap and stylus cap.	Protects the USB interface for damage. The USB cap contains a stylus for touch panels.
7	Battery cover	Turn the button 90° to open and access the battery
8	Build in stylus	Stylus for touch panel

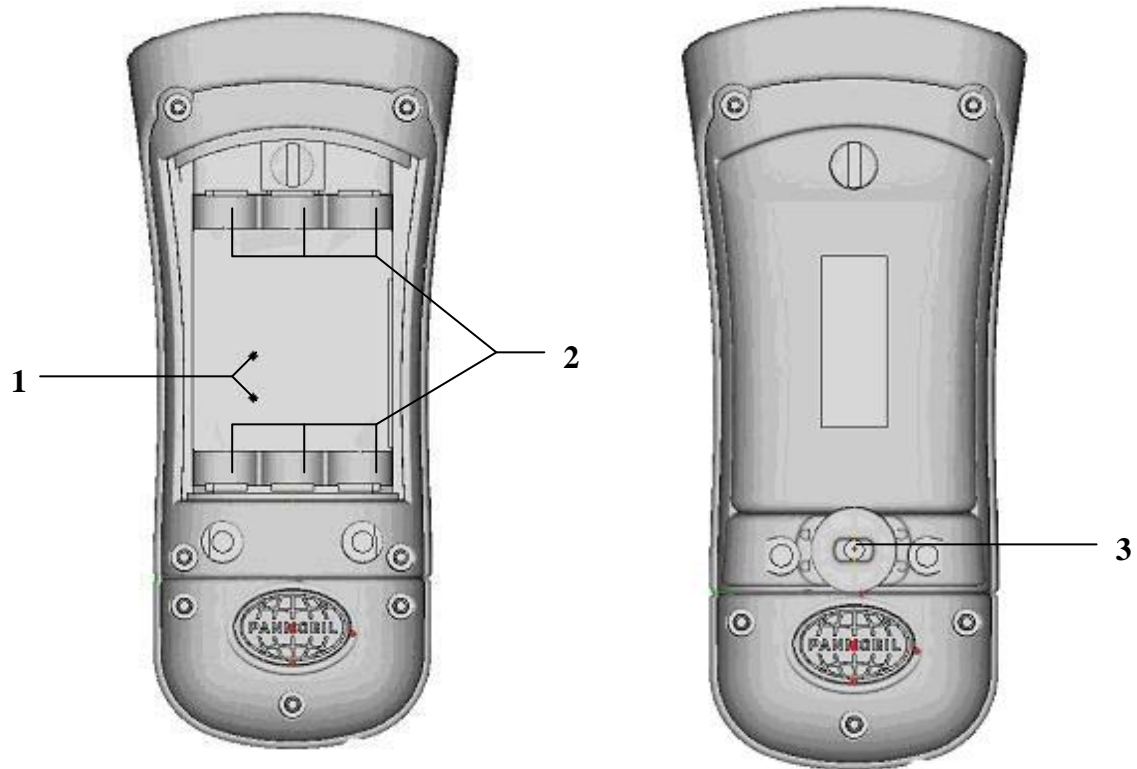


No.	Description	Function
1	USB (device) interface	USB interface for communication and battery charging
2	USB Cap lock	Locks the USB cap when mounted



No.	Description	Function
1	Serial number label	Device serial number
2	Protection glass for barcode reader	Keep this glass free of dirt and scratch to have the best reader performance.


smartSCANNDY can be operated by either 3xAAA batteries (1.5Volts each) or by a rechargeable Li-Ion battery (Panmobil)



No.	Description	Function
1	Contacts for charging the Li-Ion battery	Battery contacts for charging the Li-Ion battery
2	Contacts AAA batteries	Battery contacts for standard AAA batteries
3	Clip holder (accessory)	Holder for fixing the shirt clip, belt clip or nac belt (accessory)

smartSCANNDY ACCESSORIES



No.	Description	Function
1	Shirt clip	Used to easily carry the smartScannny fastened at a shirt pocket 
2	Belt clip	Used to fix the smartScannny at a belt clip 