

**Fender**<sup>®</sup>  
MADE IN U.S.A.

# OWNERS MANUAL

**BASSMAN 10  
AMPLIFIER**

MANUAL NO. 014235

**Fender**<sup>®</sup>  
MADE IN U.S.A.

**BASSMAN**

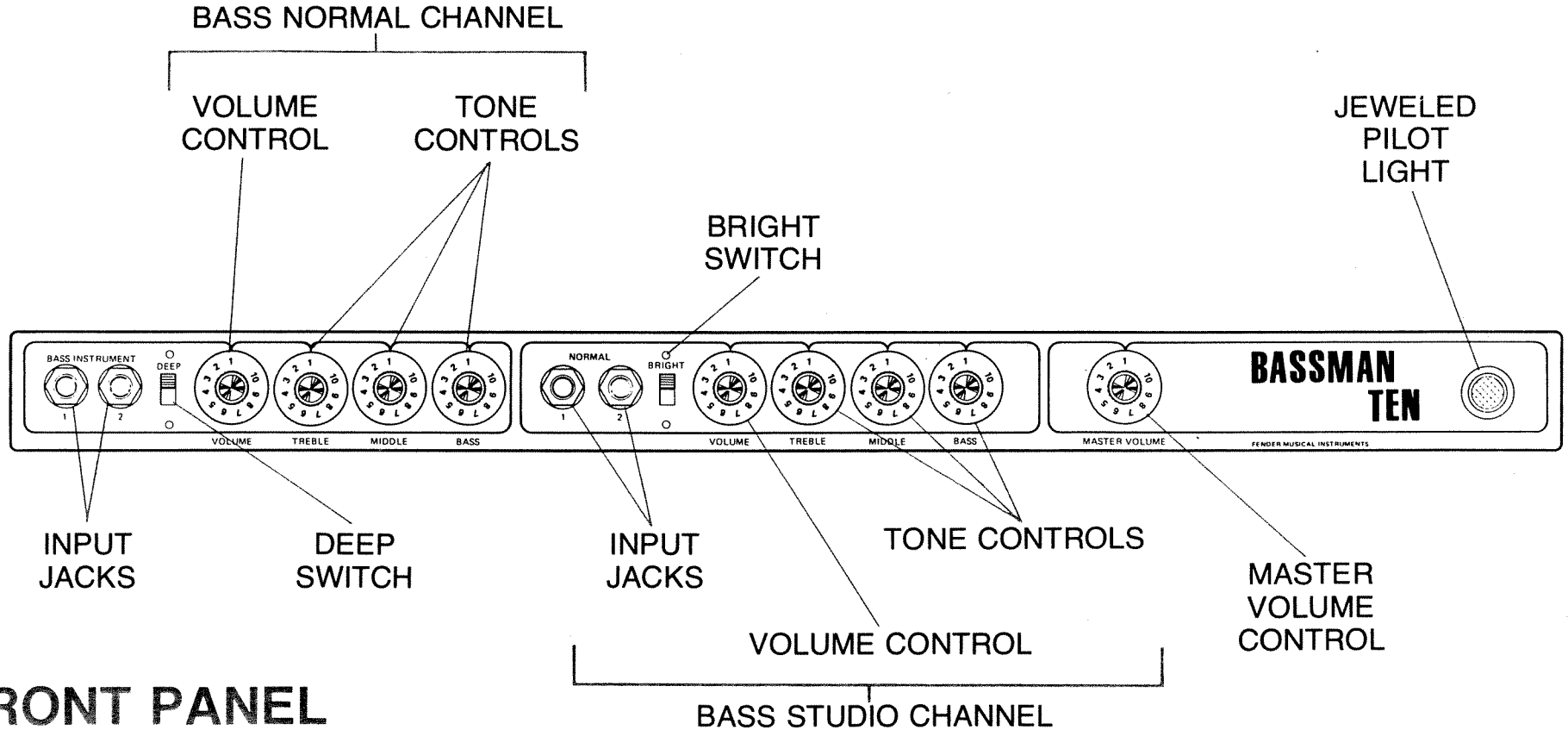
**10**

**AMPLIFIER**

Your selection of a Fender Bass amplifier will be rewarded with years of quality music in a wide range of controlled sounds. This manual is designed to familiarize you with the equipment and acquaint you with its many fine features. Read it carefully so that you will benefit from all of the features as soon as you start using the amplifier.

Copyright © 1978 CBS Musical Instruments  
a Division of CBS Inc.

**70 WATTS RMS AND 154 WATTS PEAK MUSIC POWER**



**FRONT PANEL**

# FRONT PANEL FUNCTIONS

## BASS CHANNEL

### INPUT JACKS

Jack No. 1 for use when one instrument is used. Jack No. 2 for use with second instrument or equipment with high output level.

### DEEP SWITCH

Provides deeper tone (more fundamental, less harmonics).

### VOLUME CONTROL

Volume setting from zero to full power output.

### 1 F V P TONE CONTROLS

**Treble Control** — Provides additional high frequencies as required.

**Middle Control** — Adds rich tone and accents to the middle register.

**Bass Control** — Regulates the amount of bass response.

## NORMAL CHANNEL

### INPUT JACKS

Jack No. 1 for use when one instrument is used. Jack No. 2 for use with second instrument or equipment with high output level.

### BRIGHT SWITCH

Adds brilliance to all notes, especially higher frequency notes.

### VOLUME CONTROL

Volume setting from zero to full power output.

### TONE CONTROLS

**Treble Control** — Provides additional high frequencies as required. Complemented by bright switch.

**Middle Control** — Adds a rich tone and accents middle register.

**Bass Control** — Regulates the amount of bass response.

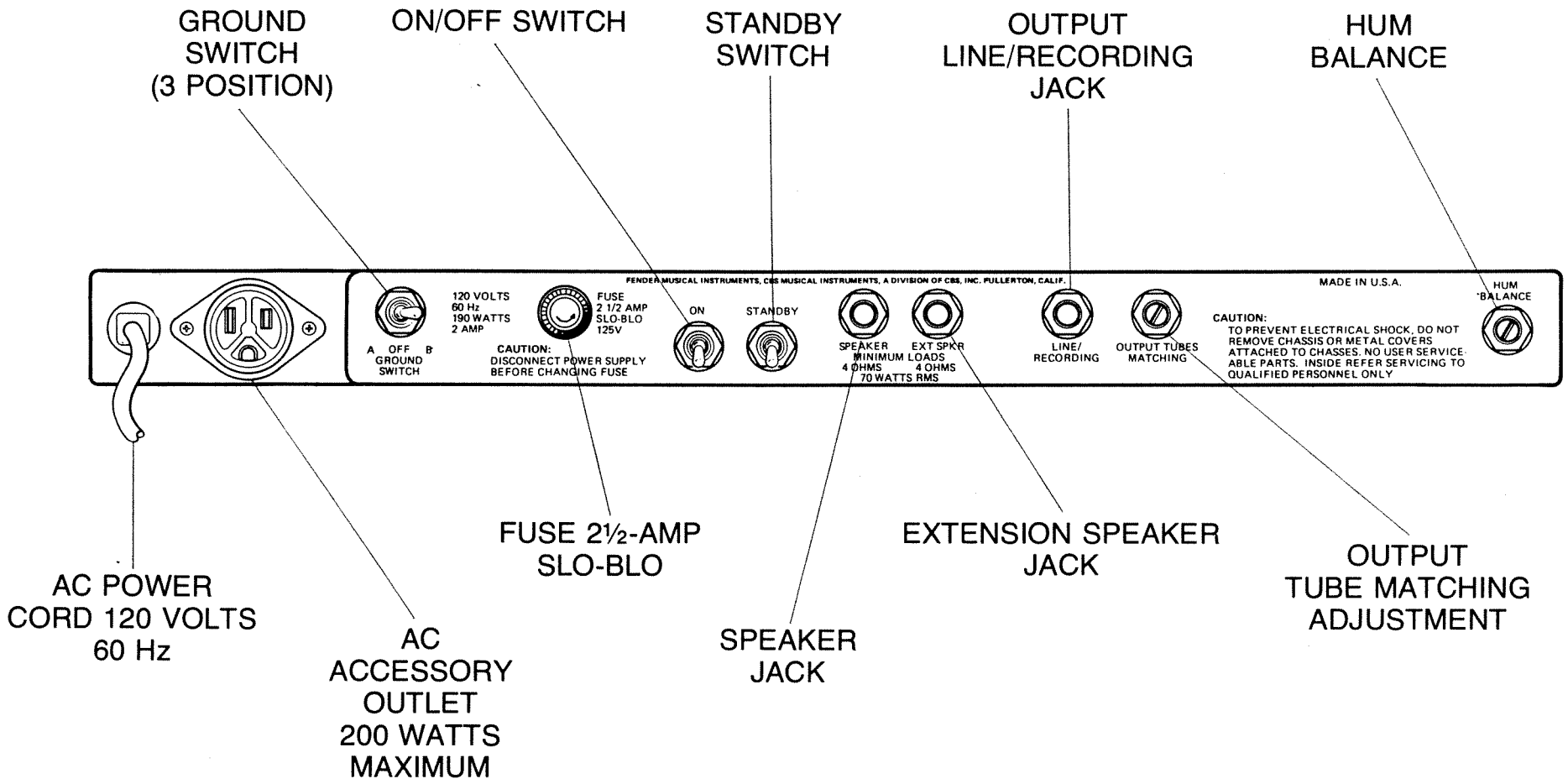
## MASTER VOLUME CONTROL

- The Master Volume Control simultaneously controls the output of all channels of the amplifier.
- The Master Volume Control when set at 10, provides the maximum “pure sound.”
- When the channel volume is set at 10, and the Master Volume Control is adjusted to the desired sound level, maximum distortion is achieved. The degree of distortion can be varied by adjusting the mixture of the Master Volume Control with the Channel Volume Control.
- Experiment for desired sounds by setting the Master Volume Control to lower numbers and the channel volume to higher numbers.

### JEWELLED PILOT LIGHT

Indicates when amplifier is turned on.

# REAR PANEL



NOTE: SEE AMPLIFIER REAR PANEL FOR IMPEDANCE (EXPRESSED IN OHMS).

# REAR PANEL FUNCTIONS

## A.C. ACCESSORY OUTLET

(120 V AC, 60 Hz) (Load limit 200 Watts) This socket is provided as a convenience outlet for any A.C. accessory.

## GROUND SWITCH

Gives player control of polarity. Positions "A" and "B" ground to each side of the line respectively. The "OFF" position disconnects all but the third line chassis ground. Try each position to find minimum hum condition.

## FUSE

2½ Amp 125 Volts Slo-Blo

CAUTION: Disconnect amplifier A.C. plug from outlet before changing fuse.

Remove fuse by pressing in and unscrewing cap counter-clockwise. Replace only with Littlefuse No. 31302.5 or Bussman fuse No. MDL 2½.

## ON/OFF SWITCH

Turns amplifier on and off.

## STANDBY SWITCH

Allows tube filaments to remain heated during standby periods. Amplification is instantly available without warm-up time. No danger of unwanted sound when in quiet periods.

## SPEAKER JACK

Connects speakers to amplifier.

## EXTENSION SPEAKER JACK

Provides a connection to an extension speaker enclosure.

## OUTPUT LINE/RECORDING JACK

Permits direct connection to recorders, P.A. systems or amplifiers, with input impedances of 200 ohms or more.

## OUTPUT TUBES MATCHING

This control makes it unnecessary to use matched power output tubes for optimum performance.

Best balance is obtained by setting the "MASTER VOLUME" to "1" and adjusting for minimum hum level. Ordinarily, no adjustment should be required unless the output tubes are changed.

## HUM BALANCE

After the "GROUND SWITCH" has been positioned to minimum hum, the hum balance may be used to further reduce hum. This control should not need adjustment unless tubes or other components are changed.

# CORRECTIVE CHECK LIST

If your amp is set up but does not function, check the following items:

- Is the amp power supply cable plugged into an electrical outlet?
- Is there power at the outlet where the amp is plugged in?
- Is the speaker plugged into the amplifier speaker jack?
- Are all the control knobs turned up above 4?
- Is the volume control on your instrument turned up?
- Is the fuse good?

If, after checking all of the above, the system is still not performing correctly, consult your Fender Service Dealer.

# CARE OF VINYL COVERING

If the vinyl covering and handles require cleaning, use a mild soap and warm water solution, wipe with a damp cloth, and buff dry with a terry cloth. This will restore the original luster.

# REPLACEMENT PARTS

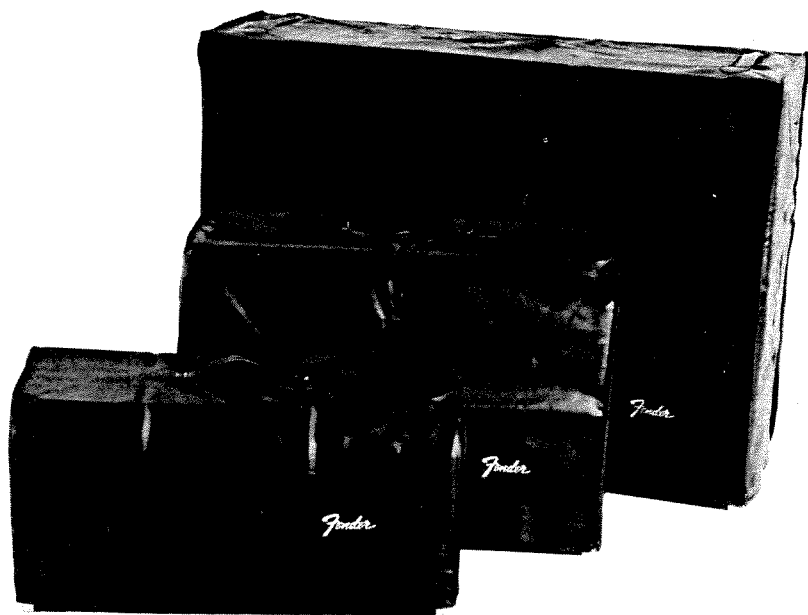
Under the terms of the limited warranty, defective parts will be replaced by your authorized Fender dealer.

Fender Original Equipment tubes are designed and built to provide optimum performance in musical instrument amplifiers.

To maintain best performance and quiet operation, replacement should be made with original equipment tubes.

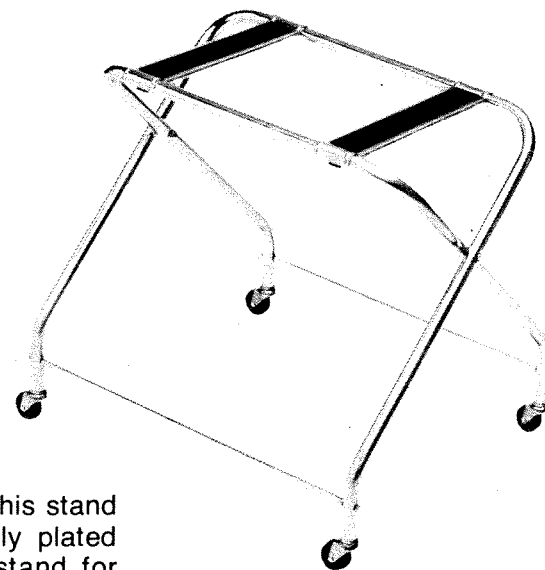
Fender Musical Instruments furnishes warranty service through authorized Fender dealers.

## ACCESSORIES



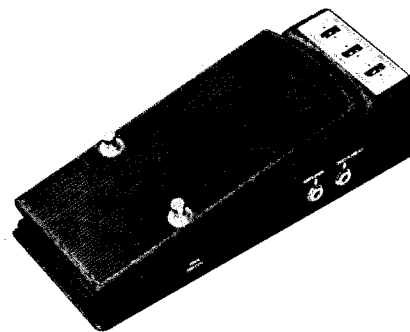
### FENDER AMPLIFIER COVERS

Waterproof, tear and abrasion-resistant amplifier covers are available for every Fender amp. They prevent surface damage to the amplifier and keep out dust. Lined with soft flannel.



### UNIVERSAL STAND

Designed to adapt to most amplifiers, this stand offers convenience casters and heavily plated all metal components. An excellent stand for many of the more compact self-contained amplifiers.

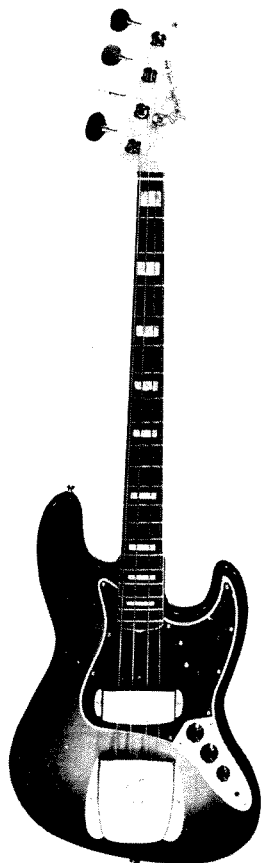


### FUZZ/WAH/VOLUME PEDAL

Up and down foot control for the Fuzz, Wah and Volume. Separate foot switches for the Fuzz and Wah. Fingertip pre-setting of balance and blend of the Fuzz and Wah.

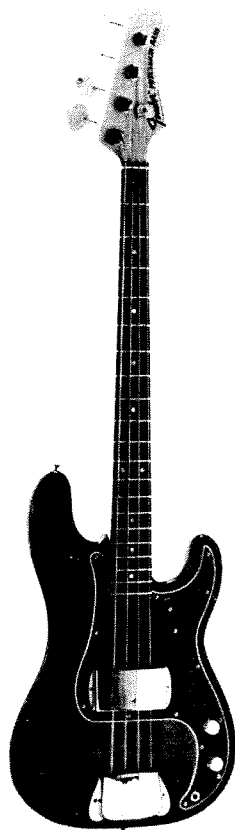
# FENDER BASSES YOU'LL WANT TO TRY

*"Fender basses are engineered to perfectly match the electronic circuitry of your new Fender Amplifier."*



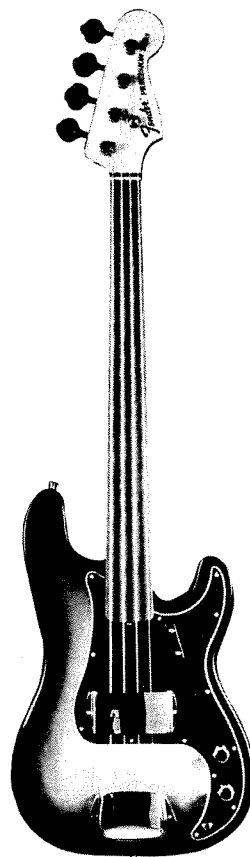
## JAZZ BASS

- The "thin neck" bass with two pickups for full string tone
- "Slim neck" design lets any guitarist play bass with ease
  - Two volume/blend controls for absolute pickup balance



## PRECISION BASS

- Split pickup design for even string response
- Wide contoured neck to facilitate advanced playing style
- Wide range volume and tone controls



## FRETLESS PRECISION BASS

- Gives the "feel" and versatility of an upright string bass
- Wide contoured neck for advanced playing style
- Split pickup for balanced sound throughout entire scale



## MUSTANG BASS

- Wide-range split pickup for maximum string response and balanced tone throughout the entire scale
- Four individually adjustable bridge sections for perfect intonation and custom playing action
- Four cushion-type string mutes for true string bass sound

**NOTE:  
SEE ACCOMPANYING LIMITED WARRANTY  
REGISTRATION SHEET**

**Fender**®  
MADE IN U.S.A.

**P.O BOX 4137 • 1300 EAST VALENCIA DRIVE, FULLERTON, CA 92634**