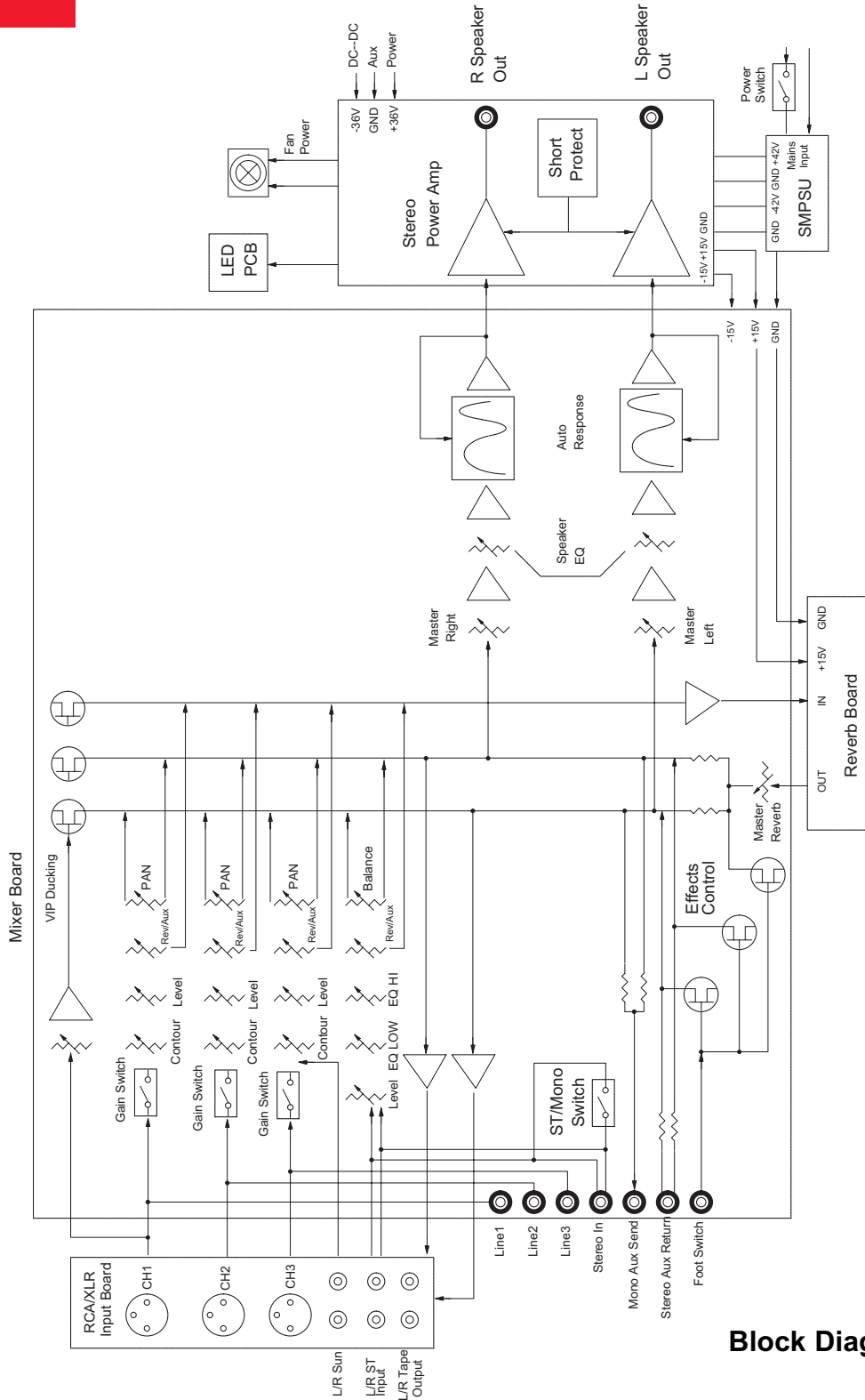




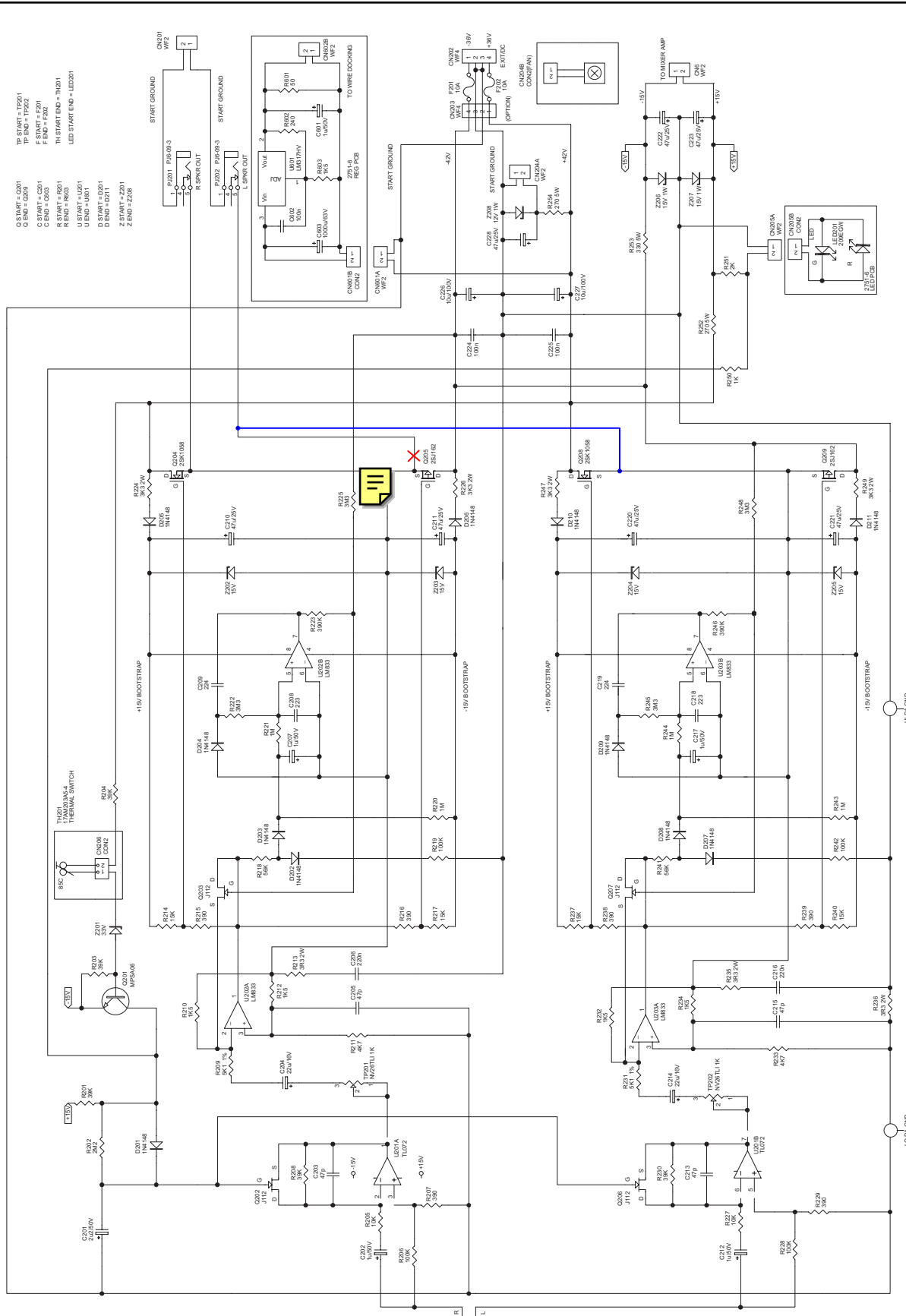
PASSPORT

POWERED PORTABLE
SOUND SYSTEM

BLOCK DIAGRAM

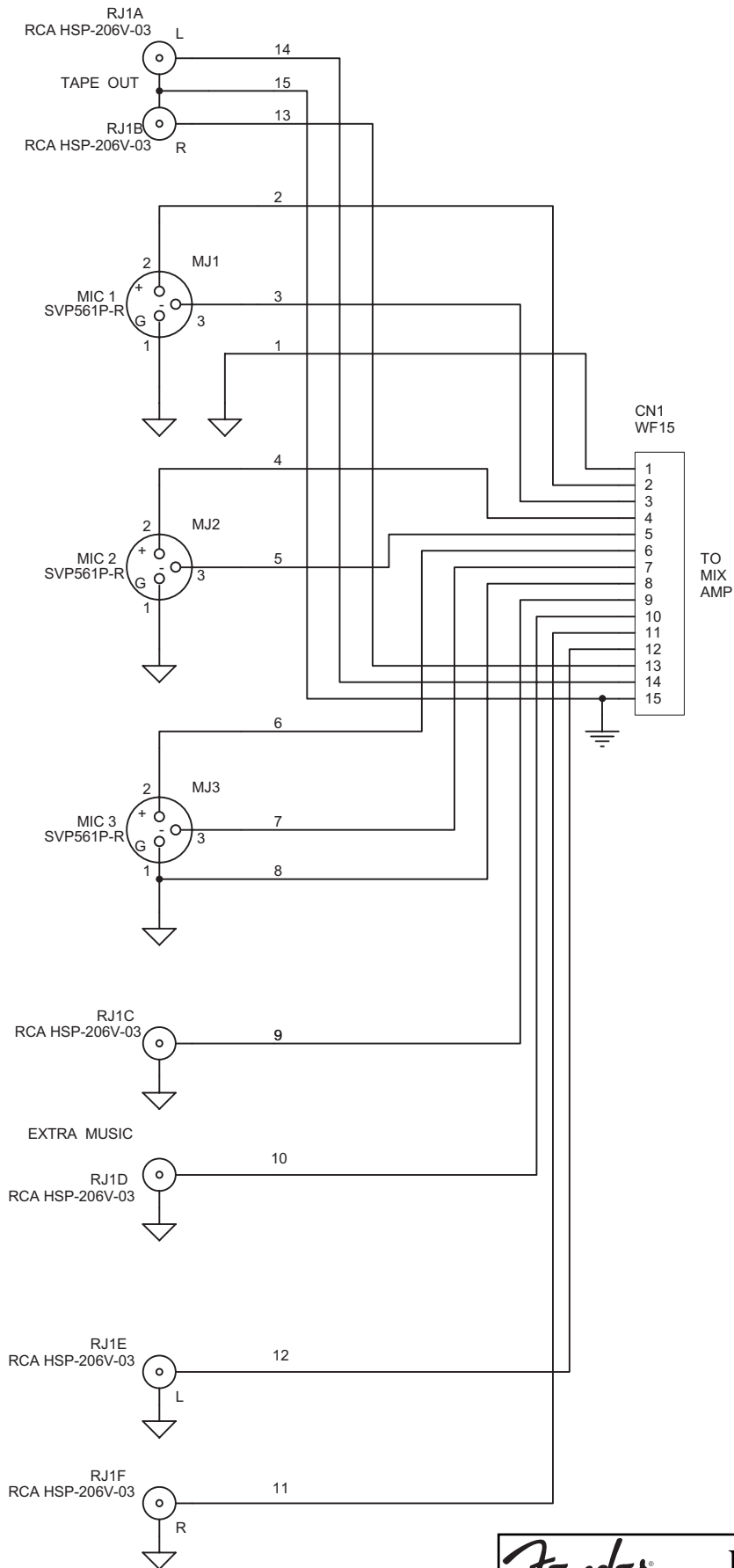


Block Diagram *Fender*

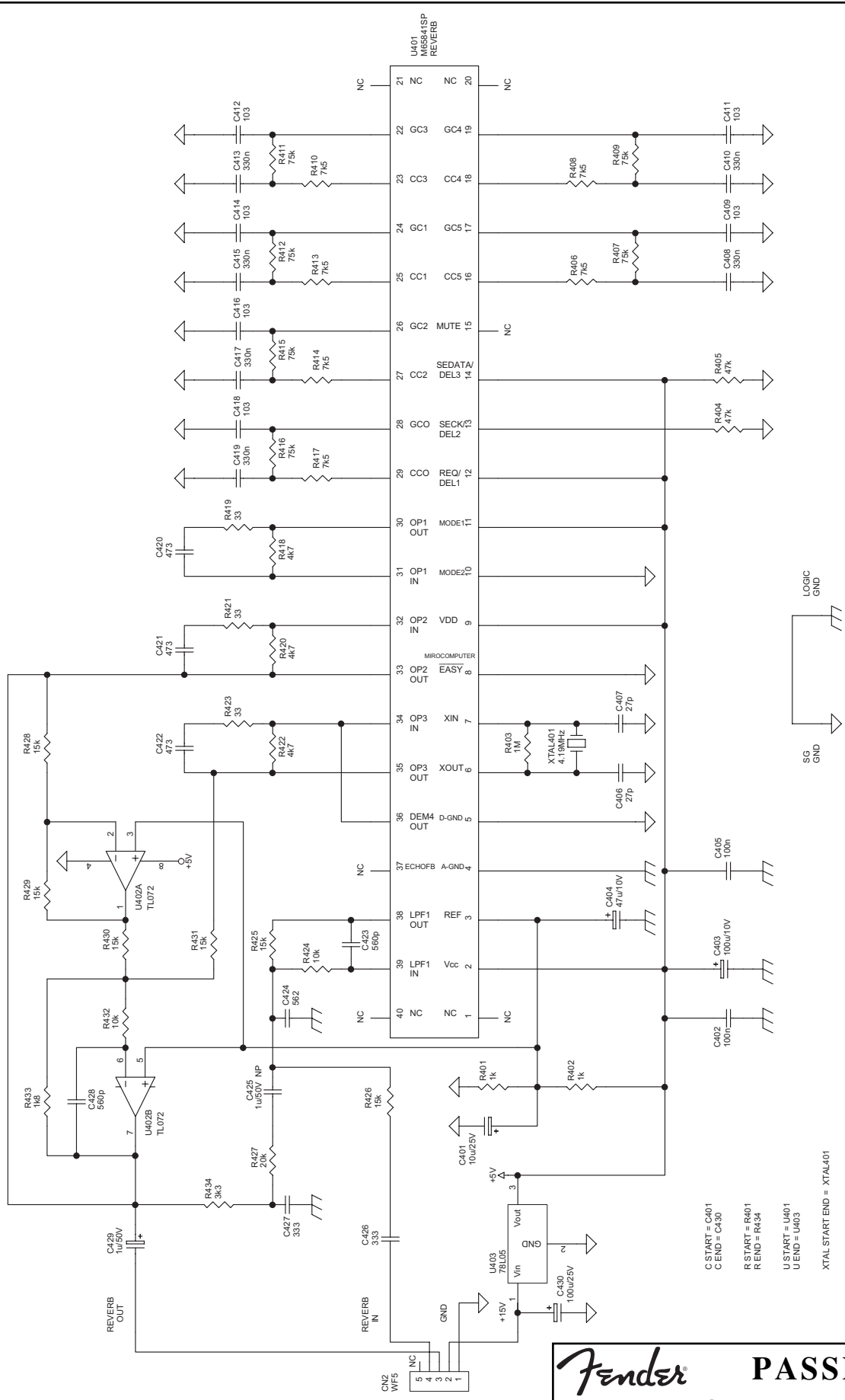


- Q1 START = Q201
- Q2 END = Q209
- C1 START = C201
- C2 END = C209
- R1 START = R101
- R2 END = R109
- U1 START = U101
- U2 END = U109
- D1 START = D201
- D2 END = D211
- Z1 START = Z201
- Z2 END = Z209

Fender **PASSPORT**
Pwr Amp Schematic Diagram

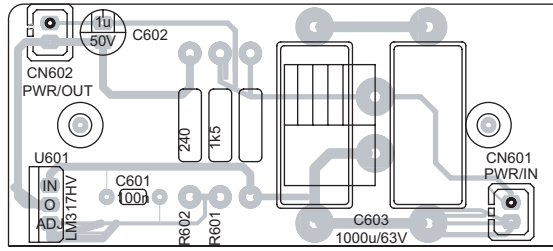


Fender **PASSPORT**
RCA Pre Amp Schematic Diagram

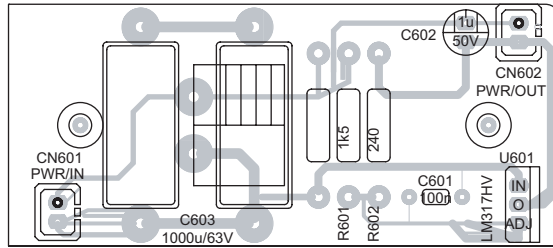


C START = C401
 C END = C430
 R START = R401
 R END = R434
 U START = U401
 U END = U403
 XTAL START END = XTAL401

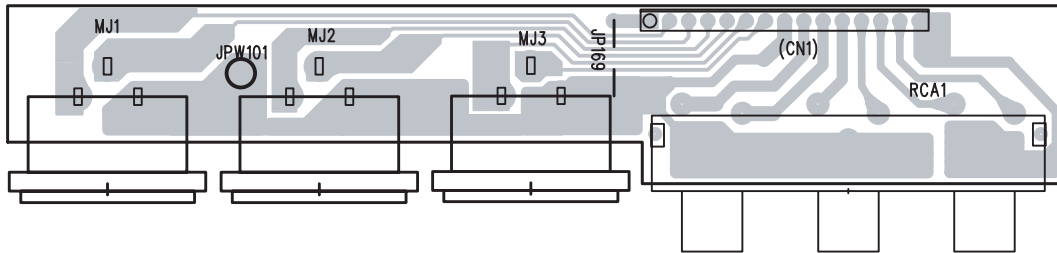
Fender
PASSPORT
 Reverb Schematic Diagram



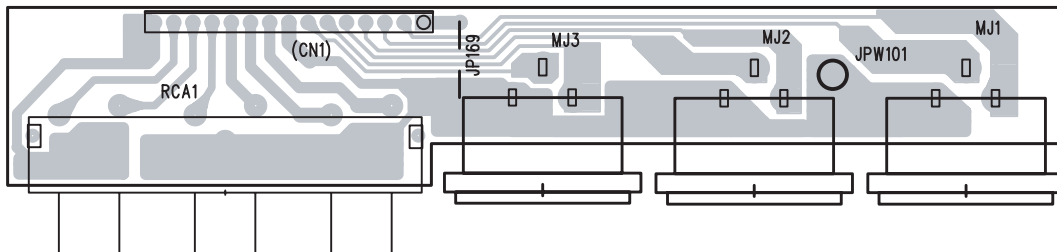
REG PCB Component Side



REG PCB Copper Side

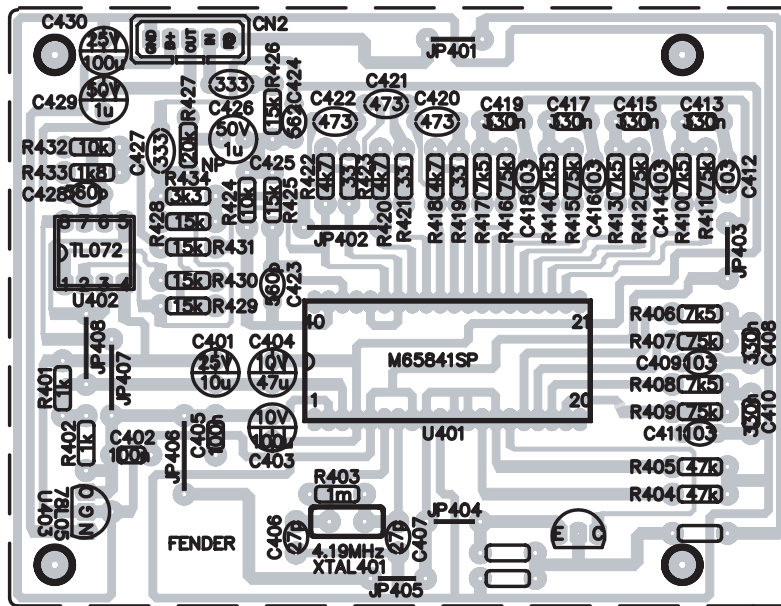


RCA/XLR Input PCB Component Side

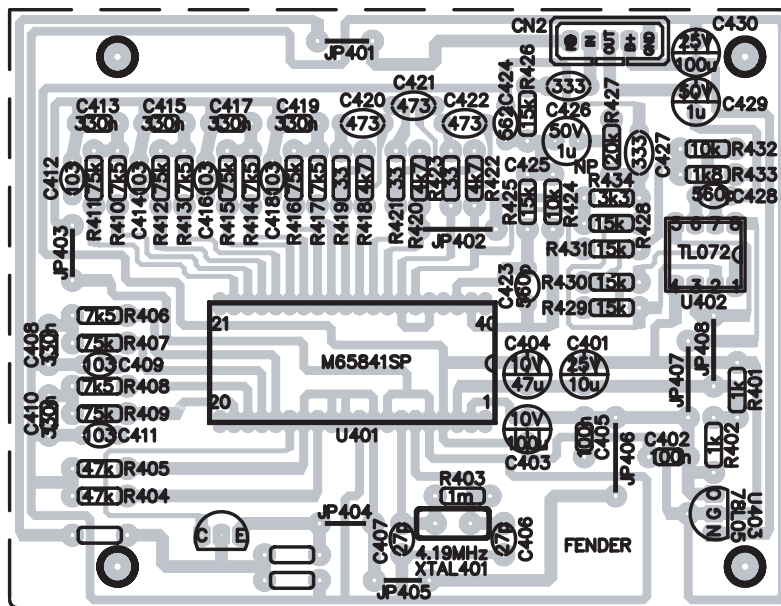


RCA/XLR Input PCB Copper Side

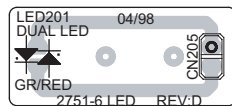
Fender **PASSPORT**
RCA/XLR/REG PCB



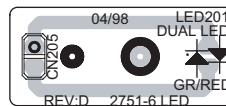
Reverb PCB Component Side



Reverb PCB Copper Side

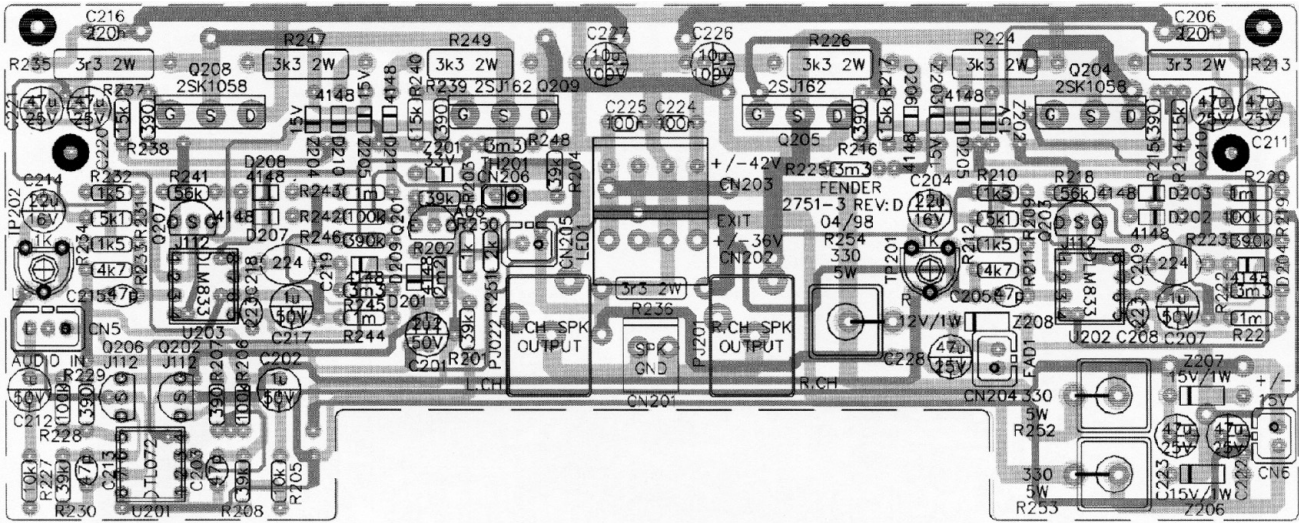


LED PCB
Component
Side

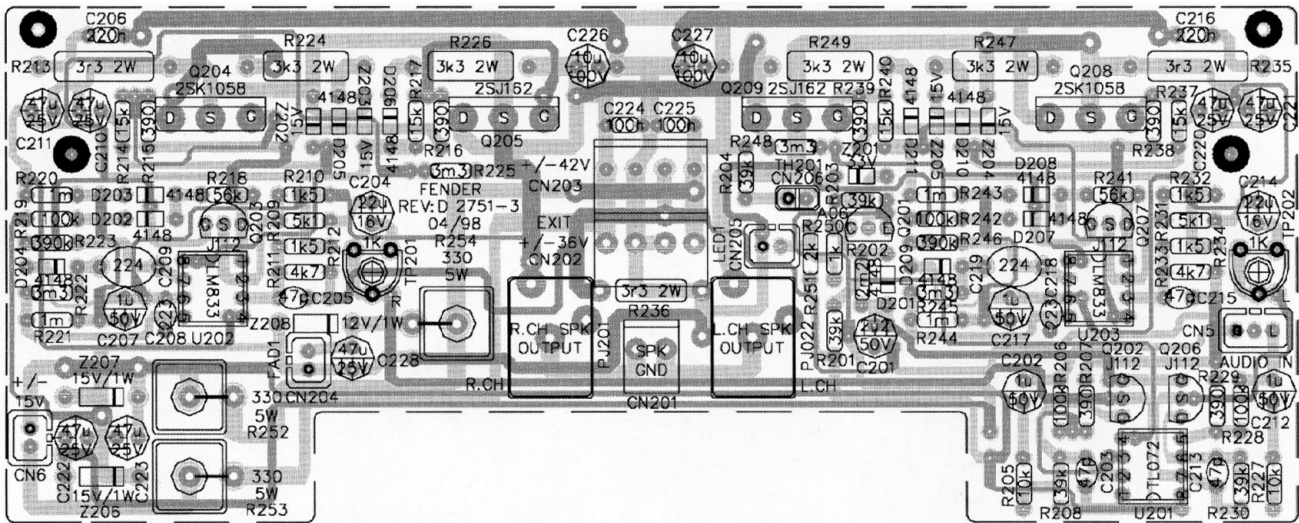


LED PCB
Copper
Side

Fender **PASSPORT**
Reverb Section / LED PCB

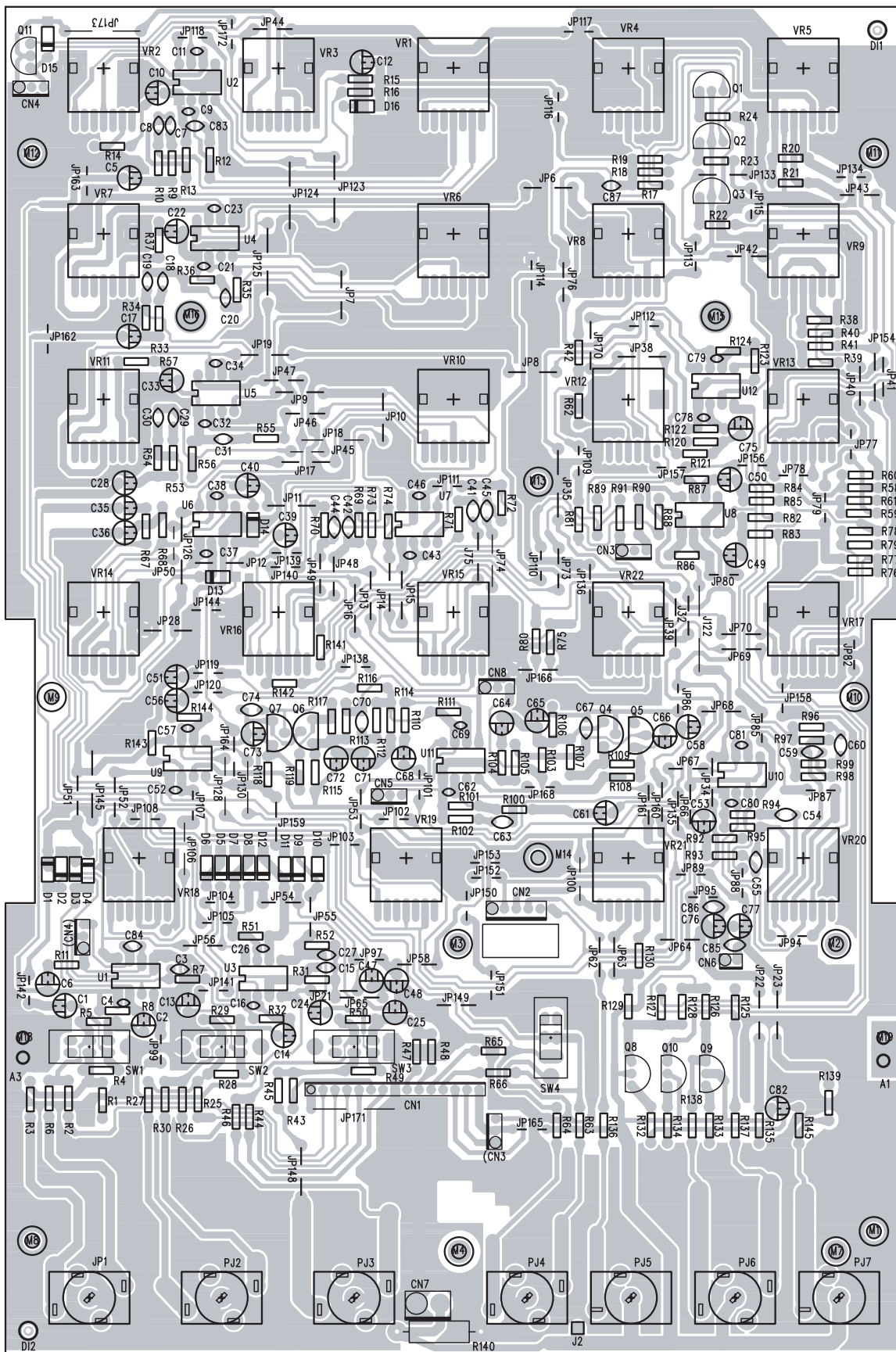


Amplifier PCB Component Side



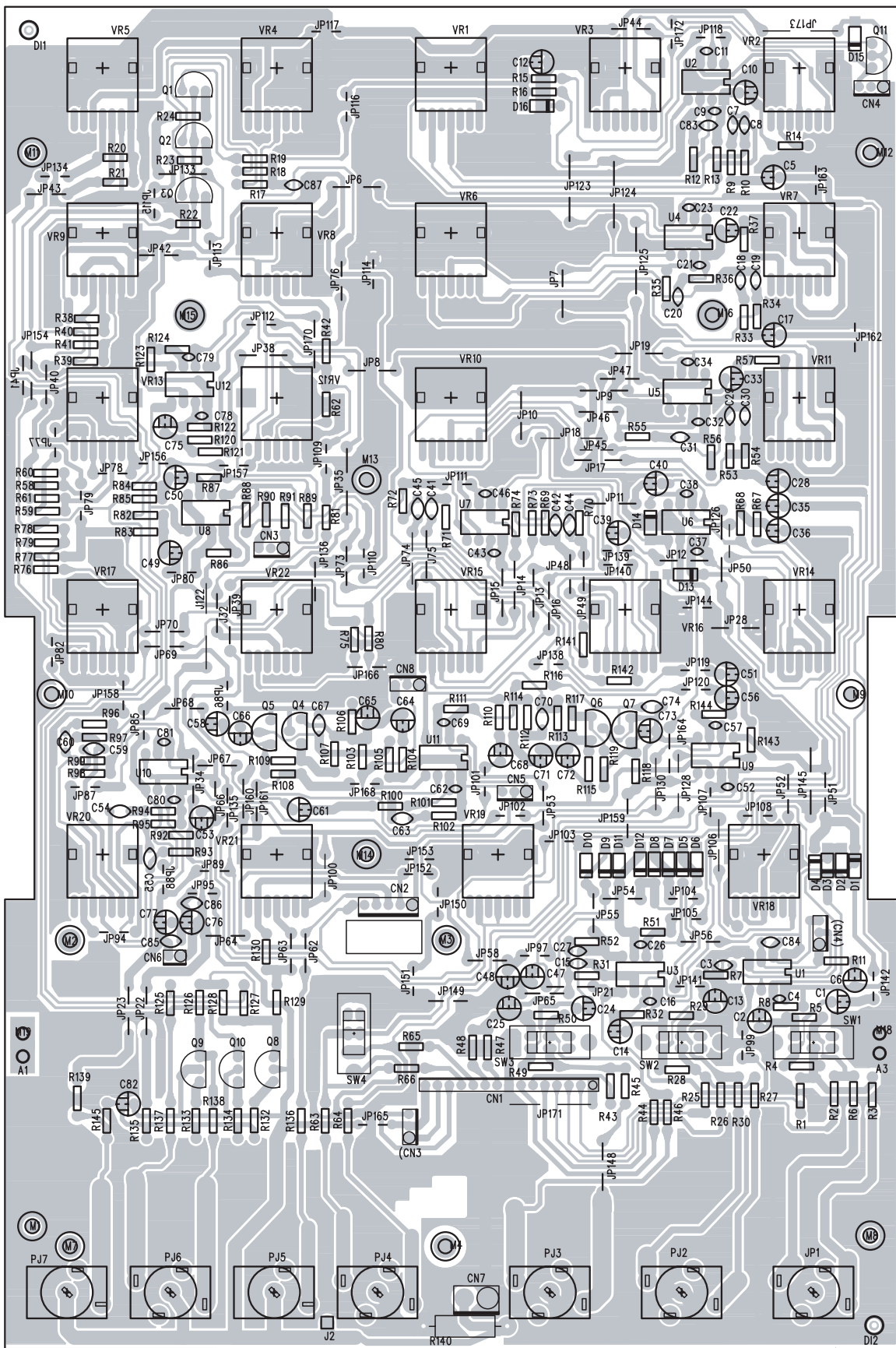
Amplifier PCB Copper Side

Fender **PASSPORT**
Amplifier Section PCB



Mixer Section PCB Component Side

Fender **PASSPORT**
Mixer Section PCB



Mixer Section PCB Copper Side

Fender **PASSPORT**
Mixer Section PCB