



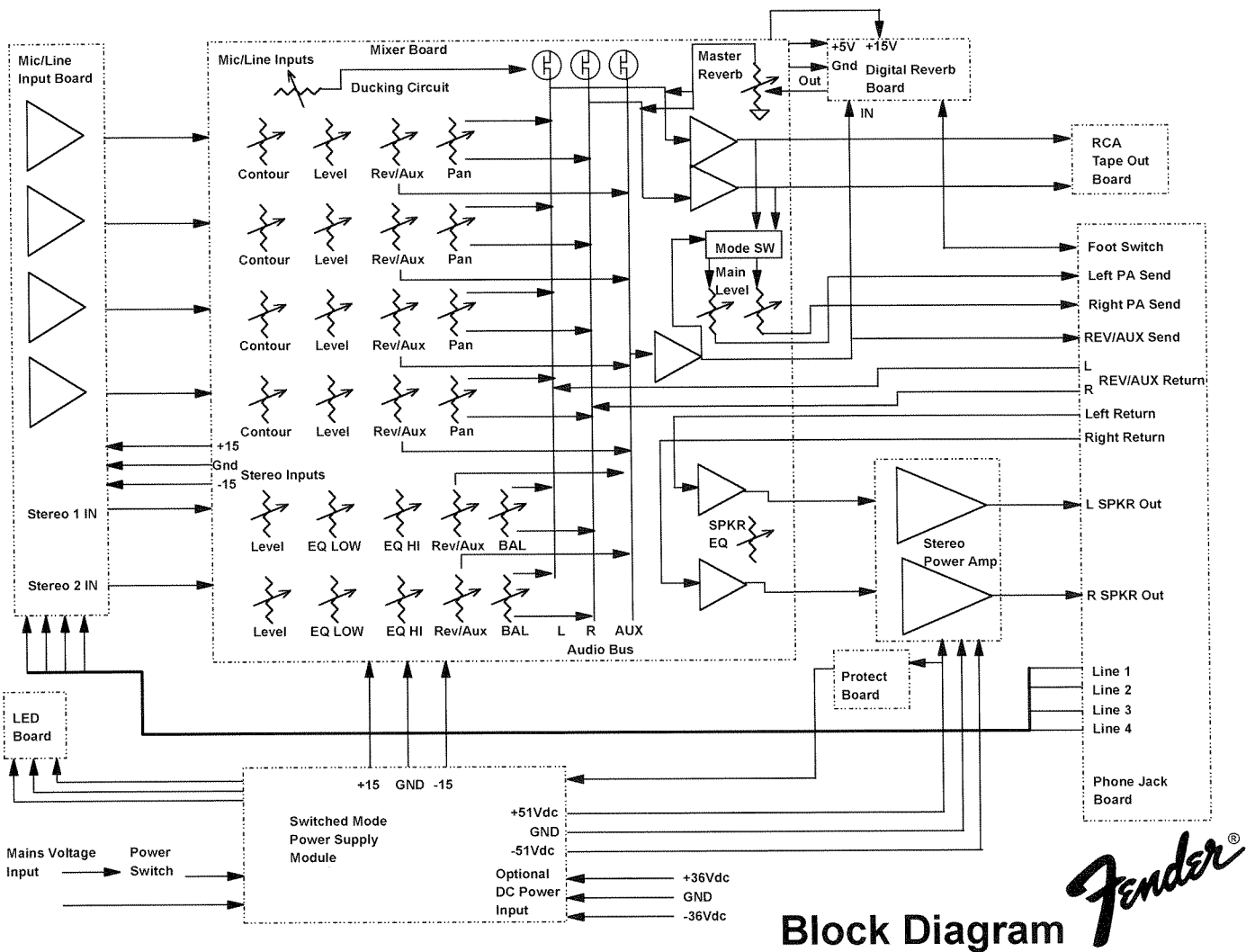
PASSPORT

POWERED PORTABLE
SOUND SYSTEM

BLOCK DIAGRAM

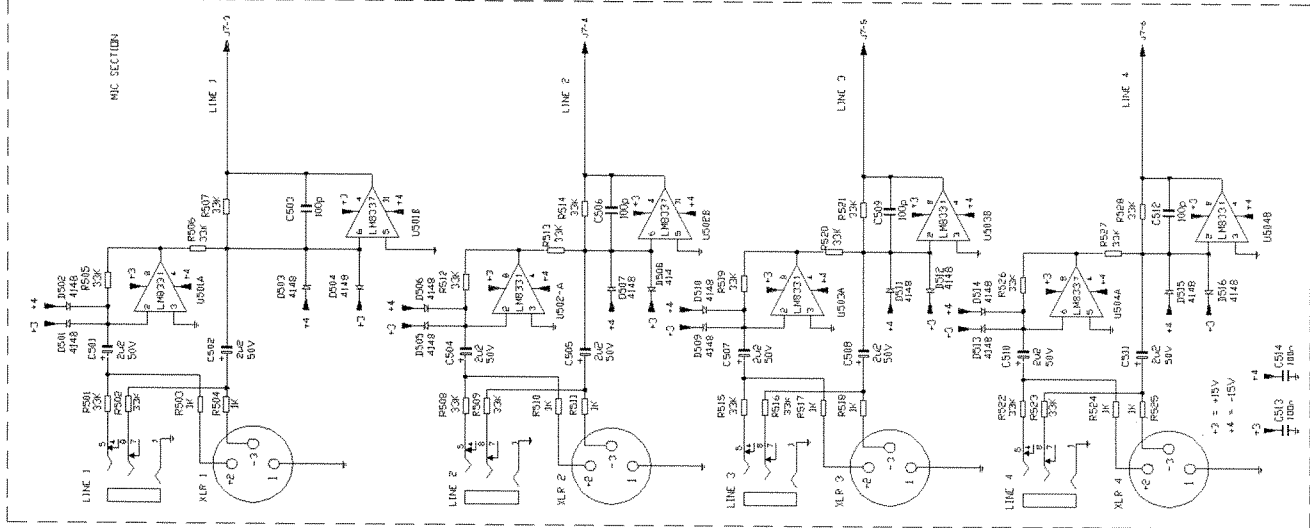
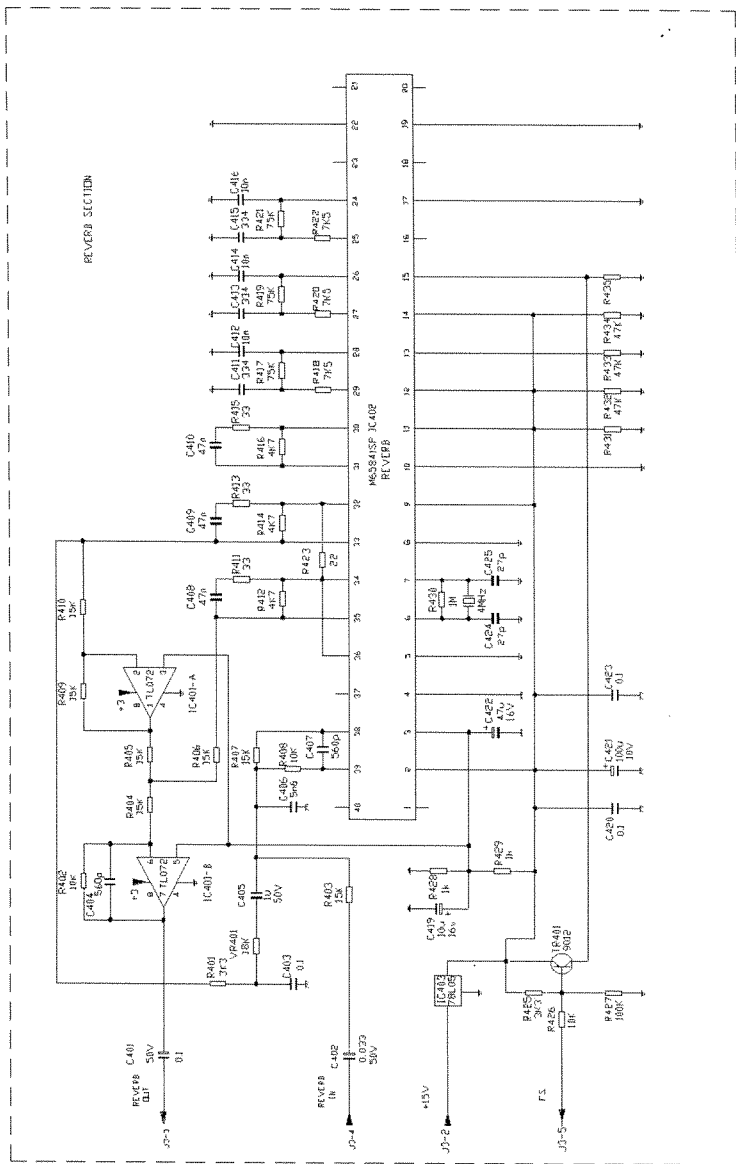
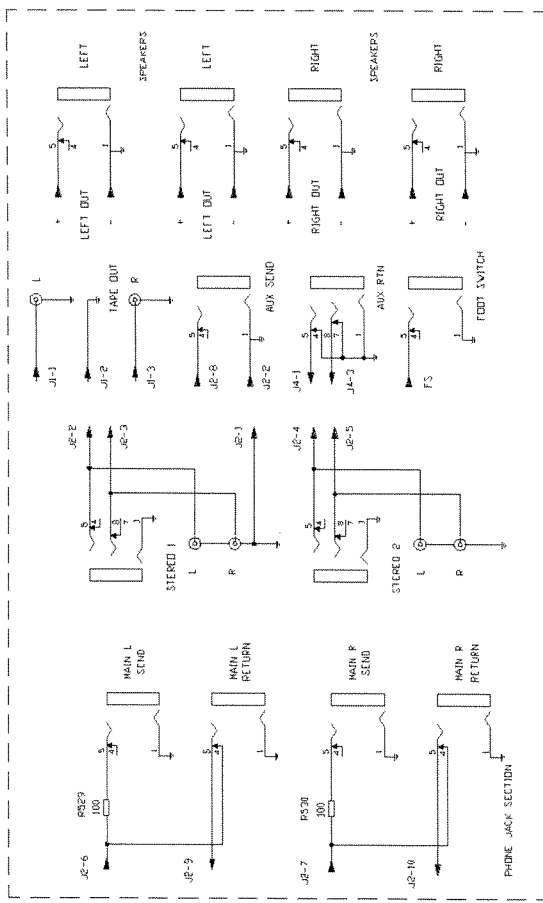
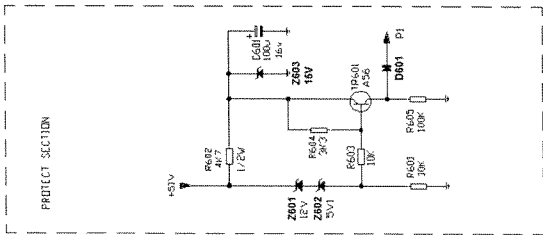
BLOCK DIAGRAM ARRANGEMENT

This block diagram is arranged by board level functional blocks. This is the same arrangement as the parts list and the schematics which will aid in the quick analysis of faults and circuit understanding.

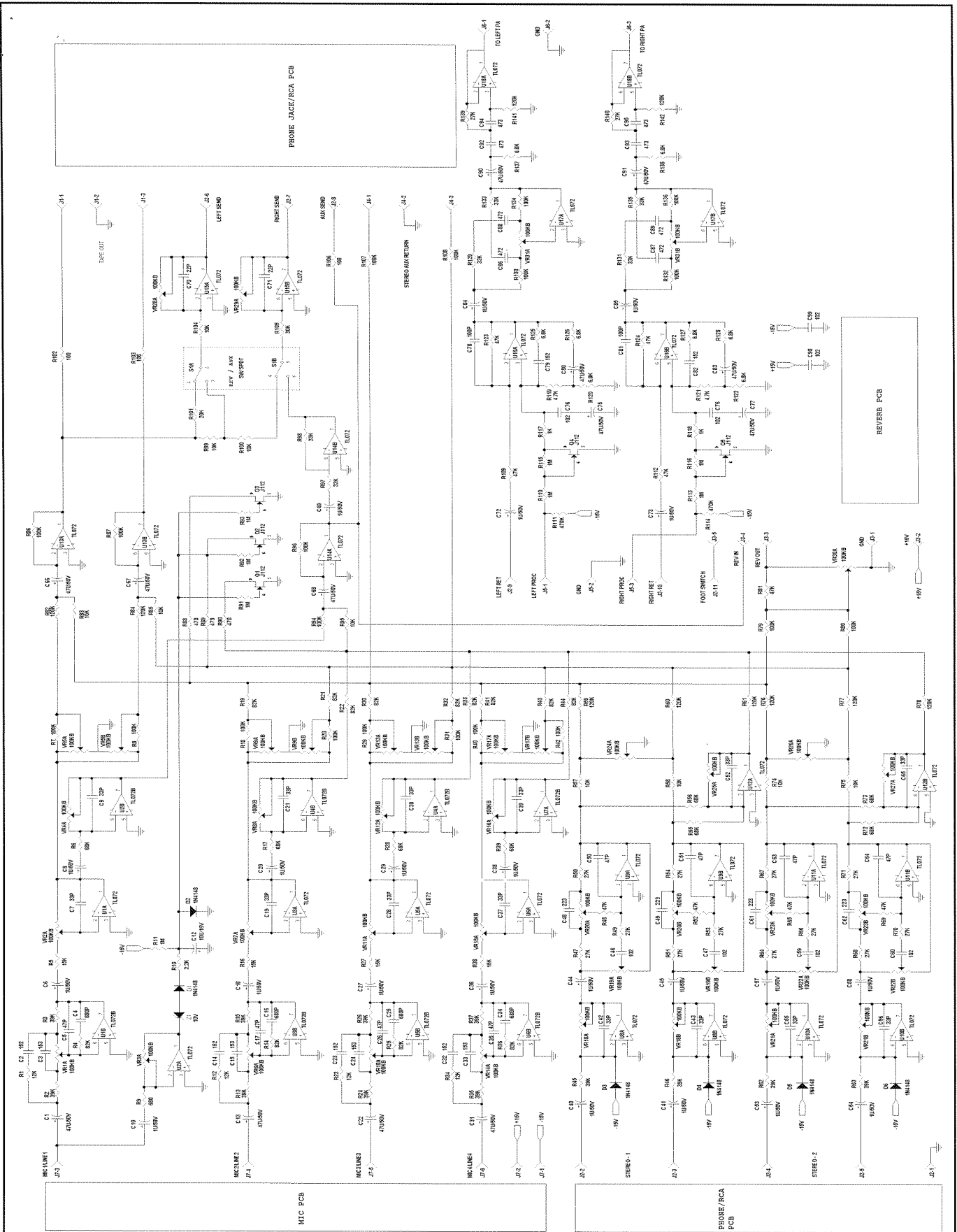


Block Diagram

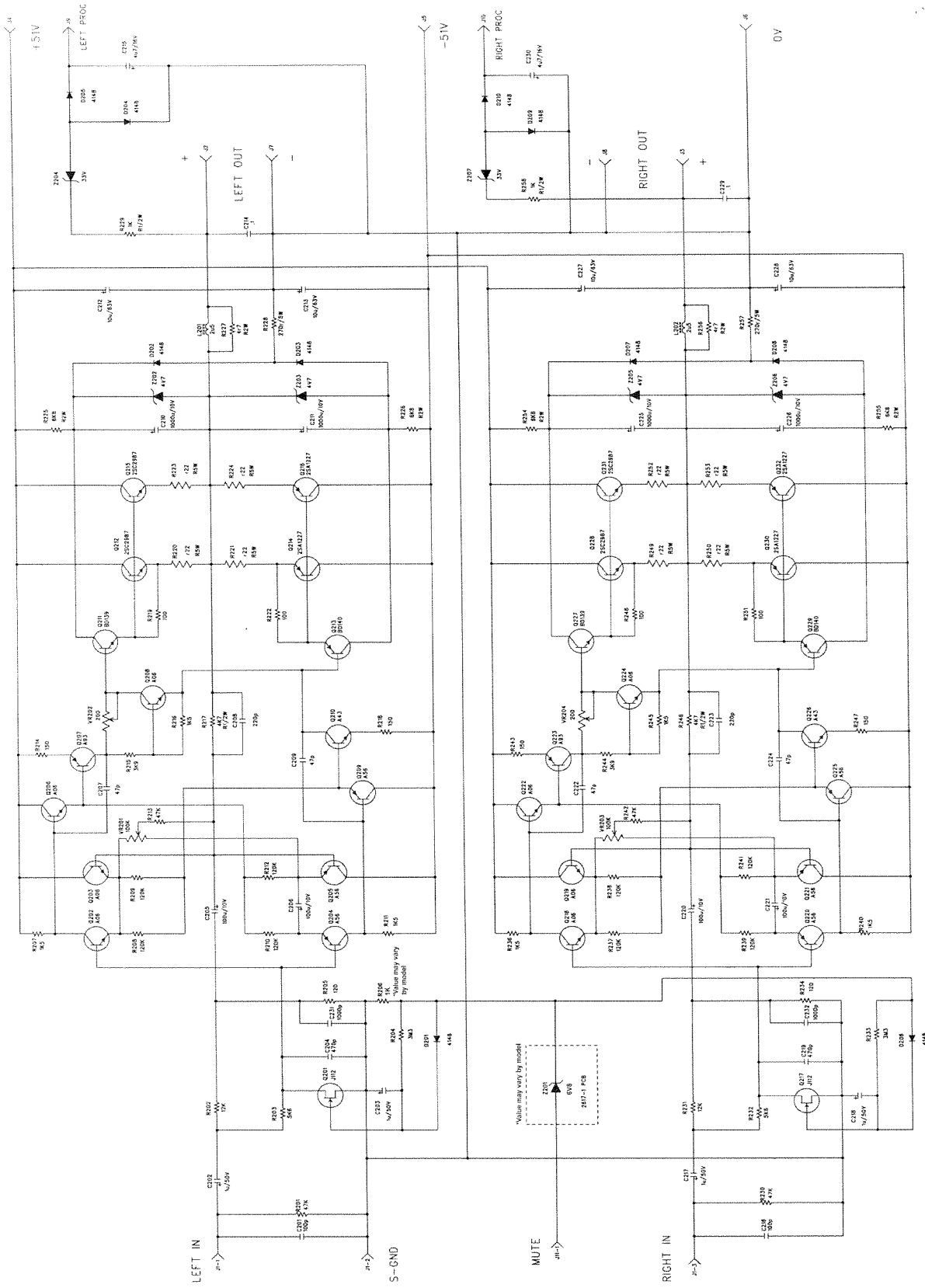




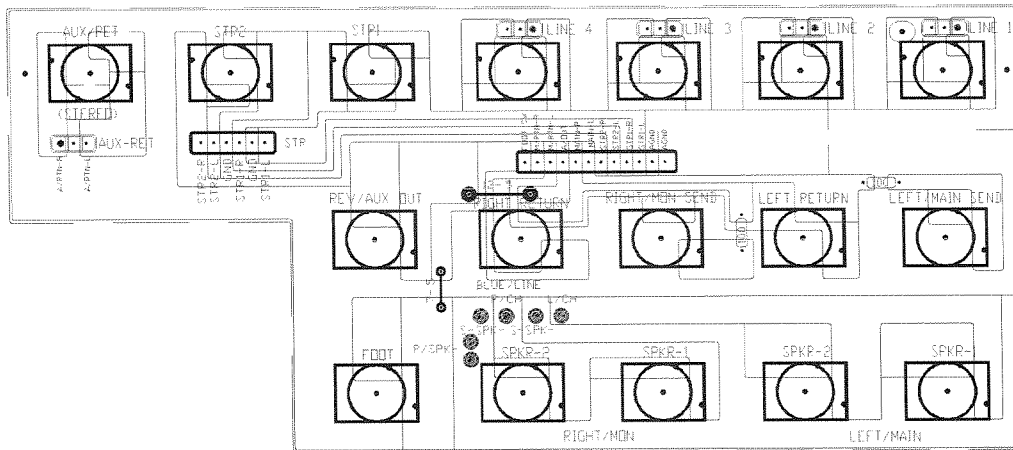
Fender
PASSPORT
 Input/Rev Schematic Diagram



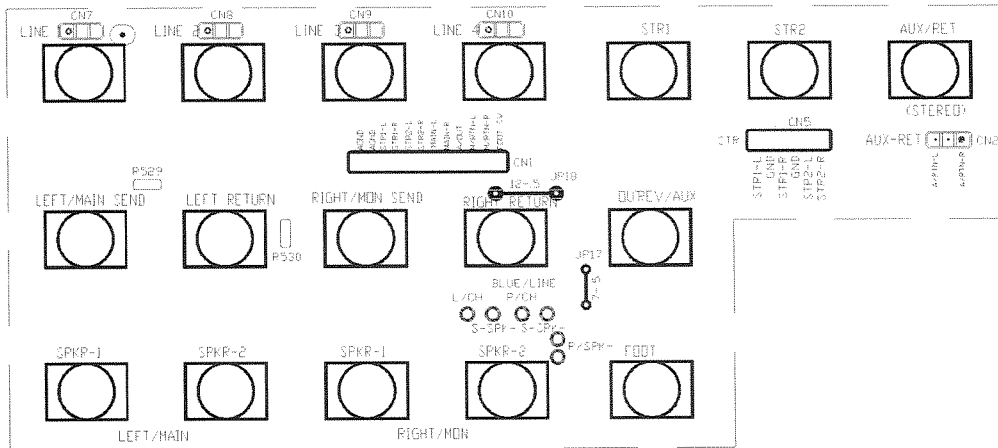
Fender
PASSPORT
 Mixer Schematic Diagram



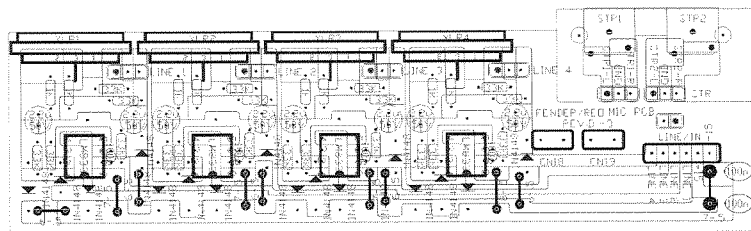
Fender **PASSPORT**
Pwr Amp Schematic Diagram



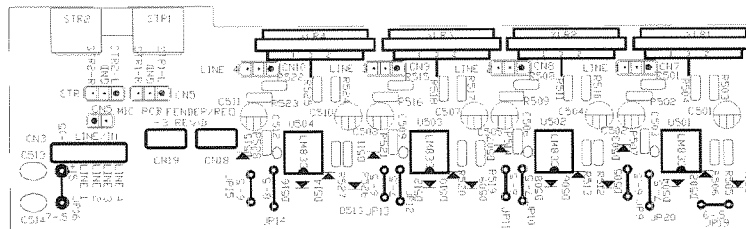
Phone PCB Copper Side



Phone PCB Component Side



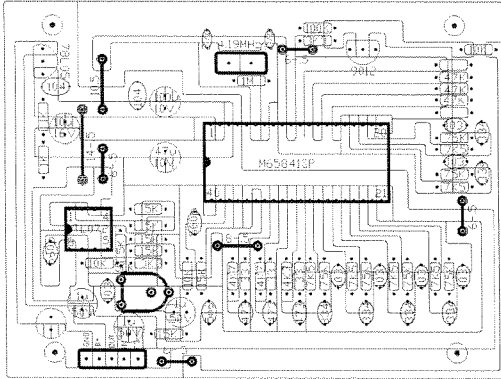
Microphone PCB Copper Side



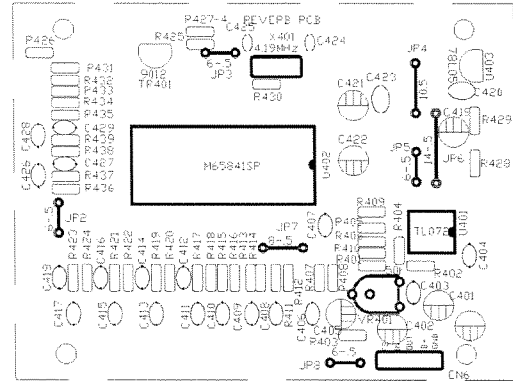
Microphone PCB Component Side



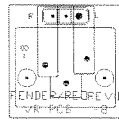
PASSPORT
Input Section PCB



Reverb PCB Copper Side



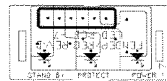
Reverb PCB Copper Side



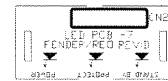
**RCA PCB
Copper Side**



**RCA PCB
Component
Side**



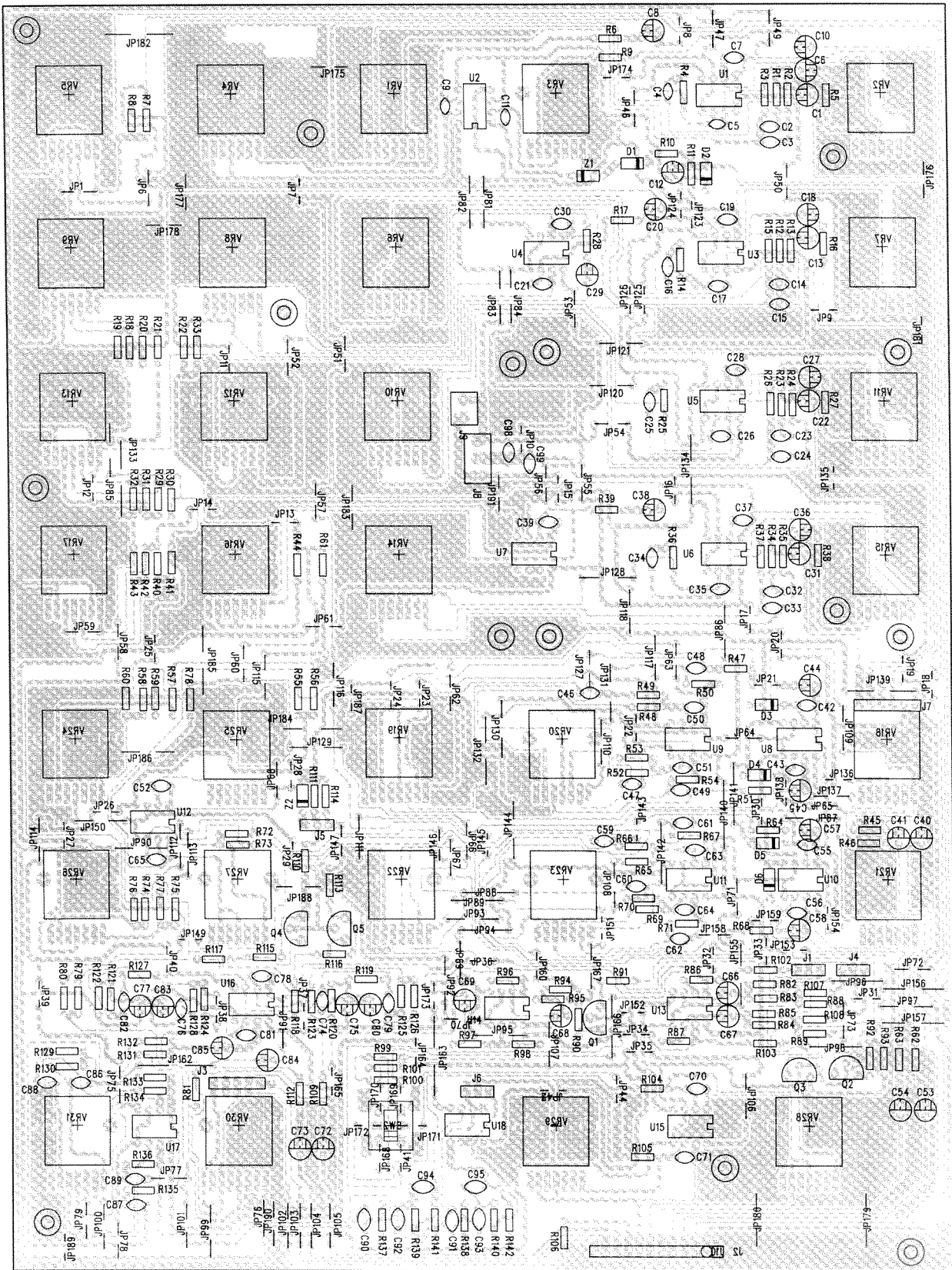
**LED PCB
Copper Side**



**LED PCB
Component
Side**



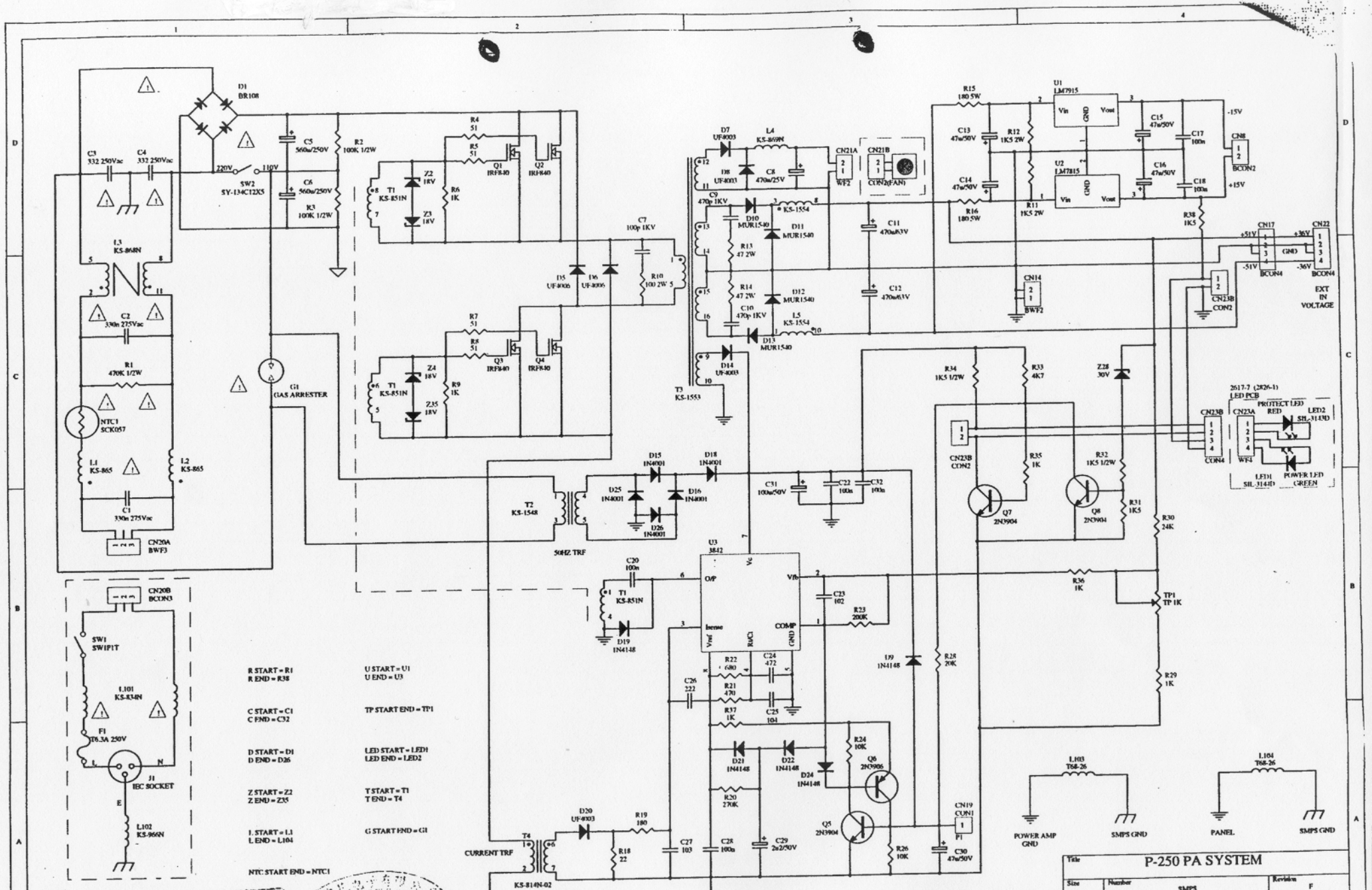
PASSPORT
Rev/RCA/LED PCB



Mixer Section PCB
Component Side



PASSPORT
 Mixer Section PCB



- R START = R1
- R END = R38
- U START = U1
- U END = U3
- C START = C1
- C FND = C32
- D START = D1
- D END = D26
- Z START = Z2
- Z END = Z35
- L START = L1
- L END = L104
- NTC START END = NTC1
- TP START END = TP1
- LED START = LED1
- LED END = LED2
- T START = T1
- T END = T4
- G START FND = G1

NIKE-SZ DOCUMENT CONTROL
 NO. 2617-EDR-002

Title				P-250 PA SYSTEM			
Size	Number	SMPS	Revision	F			
A3							
Date:	21-Sep-1998		Sheet of	1-1			
File:	D:\PENDING\2617\2617.SSP.SCH		Drawn By:	YUEN			

Lawyer 98 7-24