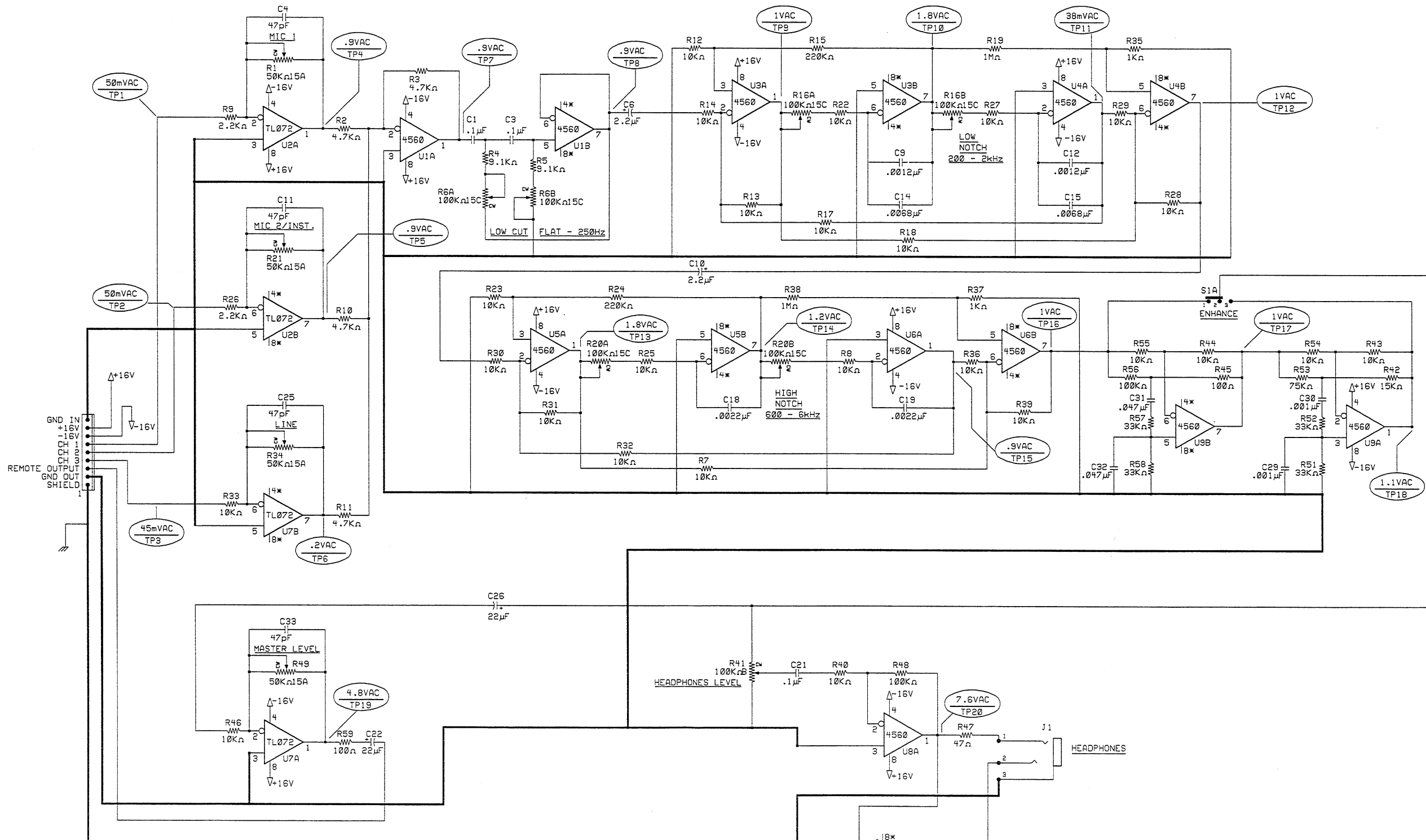


| REVISIONS |      |             |           |          |
|-----------|------|-------------|-----------|----------|
| ZONE      | REV. | DESCRIPTION | DATE      | APPROVED |
|           | A    | PR306       | 07-OCT-96 |          |
|           | B    | EC 1832     | 13-JAN-97 | M.C.     |



GND IN  
+16V  
-16V  
CH 1  
CH 2  
CH 3  
CH 4  
REMOTE OUTPUT  
GND OUT  
SHIELD

- C2 1.1µF
- C3 1.1µF
- C13 1.1µF
- C17 1.1µF
- C23 1.1µF
- C28 1.1µF
- C34 1.1µF
- C5 1.1µF
- C7 1.1µF
- C16 1.1µF
- C20 1.1µF
- C24 1.1µF
- C27 1.1µF
- C35 1.1µF

NOTES: 1. UNLESS OTHERWISE NOTED ALL RESISTORS 1/4W 5%. ALL CERAMIC DISK CAPACITORS 1KV MIN ALL OTHER CAPACITORS 50V MIN.  
2. ALL VOLTAGES MEASURED WITH RESPECT TO GROUND USING A DVM OF AT LEAST 1MΩ AC INPUT IMPEDANCE. VOLTAGES MAY VARY ±20%.

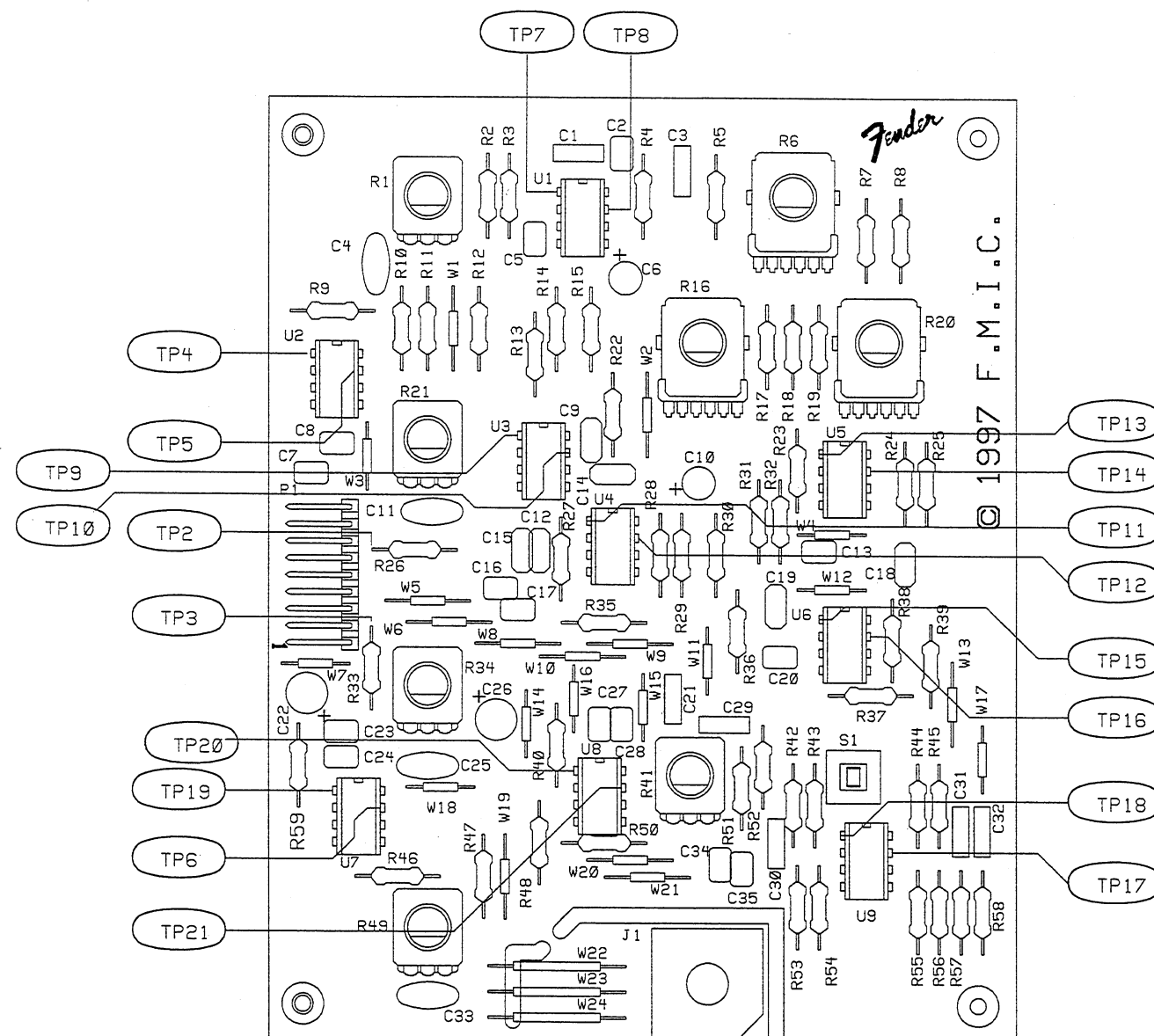
TEST CONDITIONS:  
A. LINE VOLTAGE AT 120VAC 60Hz.  
B. ALL LEVEL CONTROLS SET TO FULL CLOCKWISE POSITION, ENHANCE OFF.  
C. LOW CUT AND NOTCH CONTROLS SET TO FULL COUNTER CLOCKWISE POSITION.  
D. INPUT SIGNAL IS A 1KHz SINE WAVE.  
E. TEST POINTS 7 - 21 MEASURED WITH ONLY MIC 1 CHANNEL INPUT DRIVEN.

|  |  |  |   |
|--|--|--|---|
| DATABASE FILE:<br>Z306S2.DBF   | PROPRIETARY  |  | FENDER MUSICAL INSTRUMENTS  |
| CHECKED BY:<br>DATE: 1-15-97   | APPROVED:<br>DATE: 1-15-97   |  | 2621 Research Drive<br>Corona, CA 91720 USA                         |
| TOLERANCES: UNLESS OTHERWISE NOTED<br>X.X ±0.050"<br>X.XX ±0.010"<br>X.XXX ±0.005"<br>ANGLES ±0.500° | FENDER MUSICAL INSTRUMENTS CO.<br>REGIONAL HEADQUARTERS<br>2621 RESEARCH DRIVE<br>CORONA, CA 91720 USA | TITLE: SCHEMATIC, REMOTE CONTROL<br><b>POWER STAGE 100</b> |   |
| NEXT HIGHER ASSEMBLY:  |  | SIZE: D  | DRAWN: M.COZZA<br>ENGR: M.COZZA<br>DRAWING NUMBER: 049801<br>REV: B |
| CREATED: 02-AUG-95   |  | SCALE:   | PLOTTED: 15-JAN-97<br>SHEET 1 OF 1                                  |

PART NO. 0049802000 1 OF 1

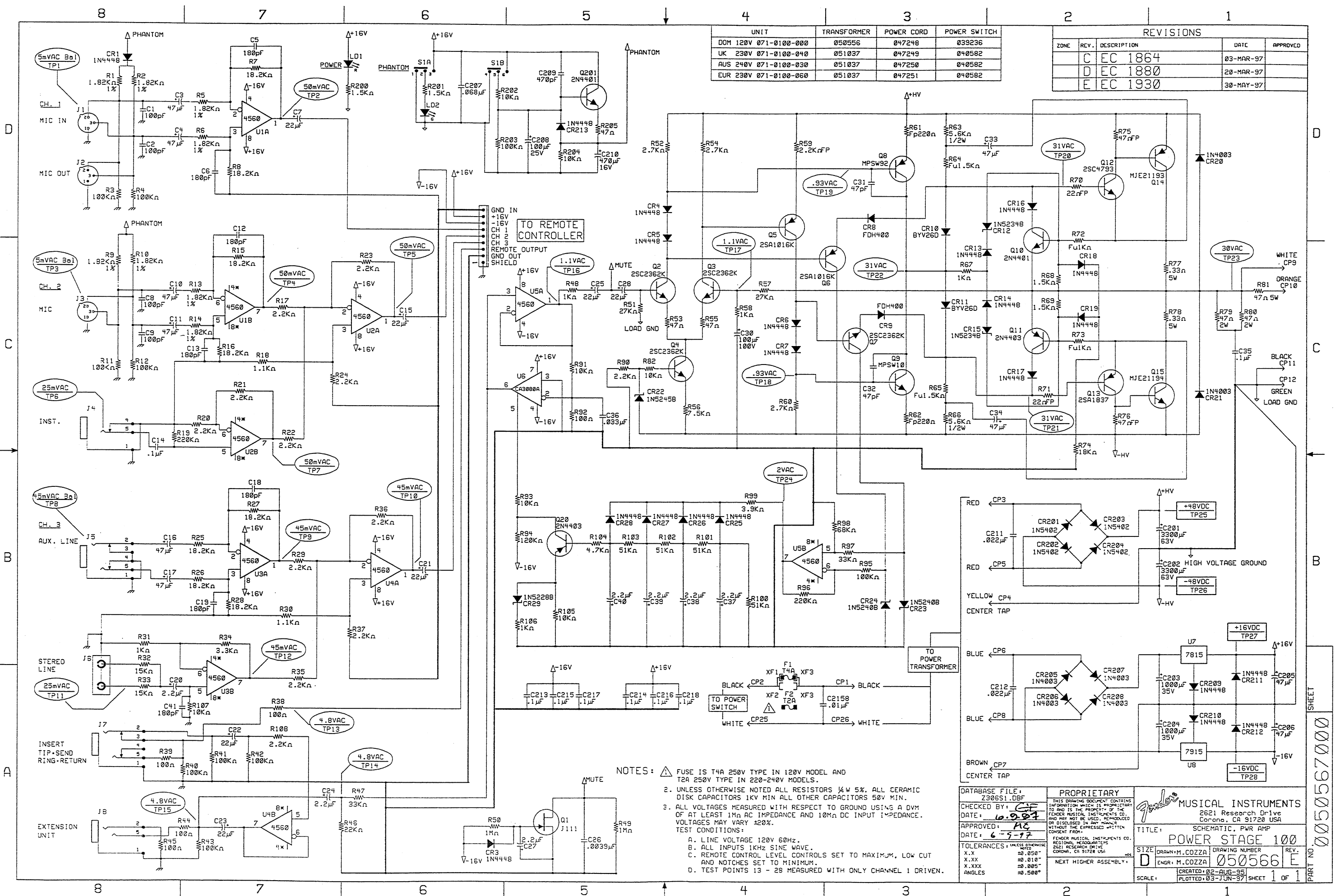
REVISIONS

| ZONE | REV. | DESCRIPTION | DATE      | APPROVED |
|------|------|-------------|-----------|----------|
|      | A    | PR306       | 07-OCT-96 |          |
|      | B    | CR62        | 12-NOV-96 |          |
|      | C    | EC 1832     | 13-JAN-97 | MC       |



FILM/DWG: SERVICE DIAGRAM  
 DATABASE: Z306P2.DBF DATE: 14-JAN-97  
 LAYERS PLOTTED: 1 2 3 4 10  
 18

|  |  |   |  |  |                                   |
|--|--|---|--|--|-----------------------------------|
| DATABASE FILE:<br>Z306P2.DBF   |  | <b>PROPRIETARY</b><br>THIS DRAWING DOCUMENT CONTAINS INFORMATION WHICH IS PROPRIETARY TO AND IS THE PROPERTY OF THE FENDER MUSICAL INSTRUMENTS CO. AND MAY NOT BE USED, REPRODUCED OR DISCLOSED IN ANY MANNER WITHOUT THE EXPRESSED WRITTEN CONSENT FROM:<br>FENDER MUSICAL INSTRUMENTS CO.<br>REGIONAL HEADQUARTERS<br>2621 RESEARCH DRIVE<br>CORONA, CA 91720 USA |  | <b>Fender</b> MUSICAL INSTRUMENTS<br>2621 Research Drive<br>Corona, CA 91720 USA |                                   |
| CHECKED BY: <i>[Signature]</i><br>DATE: 1-14-97  |  | APPROVED: <i>MC</i><br>DATE: 1-14-97  |  | TITLE: SERVICE DIAGRAM<br>POWER STAGE 100 REMOTE                                 |                                   |
| TOLERANCES: UNLESS OTHERWISE NOTED<br>X.X ±0.050"<br>X.XX ±0.010"<br>X.XXX ±0.005"<br>ANGLES ±0.500° |  | NEXT HIGHER ASSEMBLY:   |  | SIZE: <b>B</b><br>DRAWN: M.COZZA<br>ENGR: M.COZZA                                | DRAWING NUMBER: 049803<br>REV.: C |
| SCALE:   |  | CREATED:<br>PLOTTED: 14-JAN-97  |  | SHEET 1 OF 1   |                                   |



| UNIT                  | TRANSFORMER | POWER CORD | POWER SWITCH |
|-----------------------|-------------|------------|--------------|
| DOM 120V 071-0100-000 | 050556      | 047248     | 039236       |
| UK 230V 071-0100-040  | 051037      | 047249     | 040582       |
| AUS 240V 071-0100-030 | 051037      | 047250     | 040582       |
| EUR 230V 071-0100-060 | 051037      | 047251     | 040582       |

| REVISIONS |      |             |           |          |
|-----------|------|-------------|-----------|----------|
| ZONE      | REV. | DESCRIPTION | DATE      | APPROVED |
|           | C    | EC 1864     | 03-MAR-97 |          |
|           | D    | EC 1880     | 28-MAR-97 |          |
|           | E    | EC 1930     | 30-MAY-97 |          |

- NOTES:
- FUSE IS T4A 250V TYPE IN 120V MODEL AND T2A 250V TYPE IN 220-240V MODELS.
  - UNLESS OTHERWISE NOTED ALL RESISTORS 1/4W 5%, ALL CERAMIC DISK CAPACITORS 1KV MIN ALL OTHER CAPACITORS 50V MIN.
  - ALL VOLTAGES MEASURED WITH RESPECT TO GROUND USING A DVM OF AT LEAST 1MΩ AC IMPEDANCE AND 10MΩ DC INPUT IMPEDANCE. VOLTAGES MAY VARY ±20%.
- TEST CONDITIONS:
- LINE VOLTAGE 120V 60Hz.
  - ALL INPUTS 1KHz SINE WAVE.
  - REMOTE CONTROL LEVEL CONTROLS SET TO MAXIMUM, LOW CUT AND NOTCHES SET TO MINIMUM.
  - TEST POINTS 13 - 28 MEASURED WITH ONLY CHANNEL 1 DRIVEN.

|  |  |   |
|--|--|---|
| DATABASE FILE:<br>2306S1.DBF<br>CHECKED BY: <i>GE</i><br>DATE: <i>6-9-97</i><br>APPROVED: <i>AS</i><br>DATE: <i>6-9-97</i><br>TOLERANCES: UNLESS OTHERWISE SPECIFIED<br>X.XX ±0.050"<br>X.XXX ±0.010"<br>X.XXX ±0.005"<br>ANGLES ±0.500° | <b>PROPRIETARY</b><br>THIS DRAWING DOCUMENT CONTAINS INFORMATION WHICH IS PROPRIETARY TO AND IS THE PROPERTY OF THE FENDER MUSICAL INSTRUMENTS CO. AND MAY NOT BE USED, REPRODUCED OR DISCLOSED IN ANY MANNER WITHOUT THE EXPRESSED WRITTEN CONSENT FROM:<br>FENDER MUSICAL INSTRUMENTS CO.<br>2621 RESEARCH DRIVE<br>CORONA, CA 91724 USA | <b>Fender</b> MUSICAL INSTRUMENTS<br>2621 Research Drive<br>Corona, CA 91724 USA<br>TITLE: SCHEMATIC, PWR AMP<br><b>POWER STAGE 100</b><br>SIZE: <i>D</i> DRAWN: M.COZZA DRAWING NUMBER: <b>050566</b> REV. <i>E</i><br>ENGR: M.COZZA<br>SCALE: <i>D</i> CREATED: 02-AUG-95 PLOTTED: 03-JUN-97 SHEET 1 OF 1 |
|--|--|---|

PART NO. 050567000 SHEET