



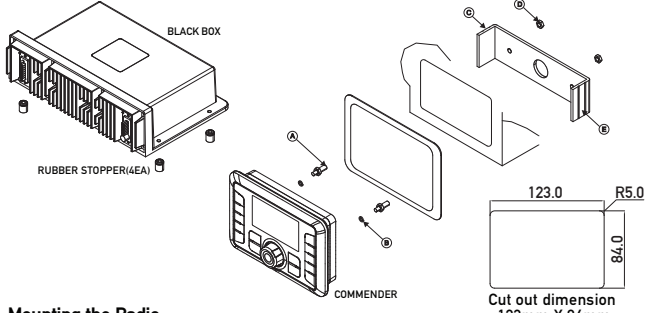
MMC36BT

Quick Start Guide



To download the complete, model-specific manual, please visit www.dualav.com/support/manuals.php or call 1-866-382-5476, 9AM-5PM EST (Monday-Friday).

Installation

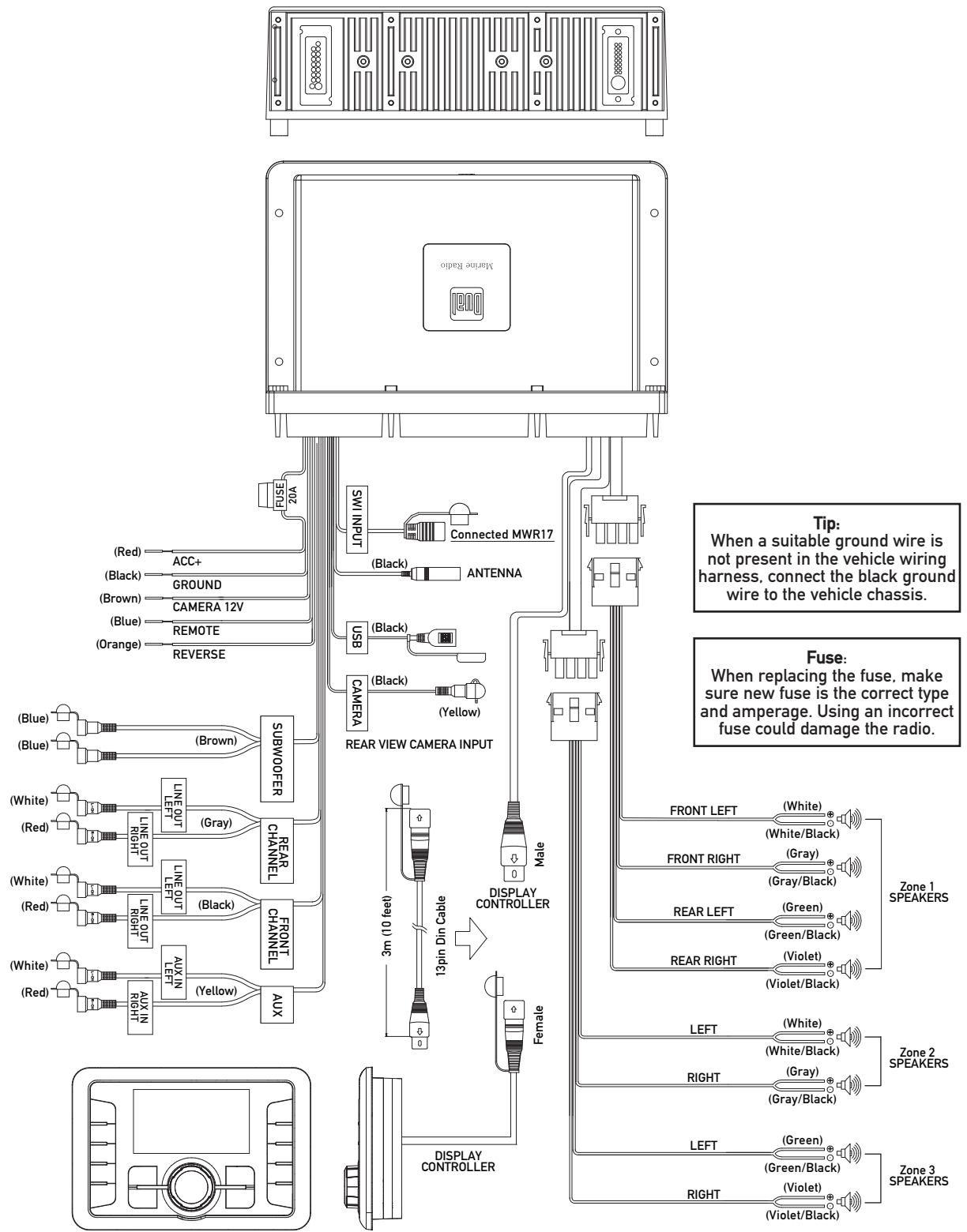


Mounting the Radio

- Choose a mounting location on the dash board or instrument panel that will allow room behind to run radio cables to the power source. Consider how you will use the AUX IN, LINE OUT and USB connectors and route the appropriate extension cables to an accessible area.
 - Make a hole referring to cut out dimension.
 - IMPORTANT! Do not mount this unit where it can be submerged in water.**
 - Slide the included spring washers (B) over the screw posts (A) and attach the screw posts to the back of the radio.
 - Place the radio in front of the dashboard opening so the wiring can be brought through the opening.
 - After completing the wiring connections, turn the radio on to confirm operation (vehicle accessory switch must be on). If the radio does not operate, recheck all wiring until the problem is corrected. Once proper operation is achieved, turn the accessory switch off and proceed with final mounting of the radio. Refer to the "Wiring Diagram" on page 5.
- NOTE:** Before final installation, test the wiring connections to make sure the unit is connected properly and the system works.
- Insert the radio into the mounting hole.
 - Place the "U" bracket (C) over the screw posts and secure the radio to the dash using the included hex nuts (D). If necessary, cut the score marks (E) on either side of the mounting bracket to custom fit the bracket length for your application. See Figure A.

Mounting & Wiring

Once a suitable location has been determined, drill the hole and secure the stereo using the metal mounting bracket. If the bracket needs to be shortened, remove the appropriate number of breakaway segments using a pair of pliers.



Tip: When a suitable ground wire is not present in the vehicle wiring harness, connect the black ground wire to the vehicle chassis.

Fuse: When replacing the fuse, make sure new fuse is the correct type and amperage. Using an incorrect fuse could damage the radio.

General Operation

Power On/Off	Press the ⏻ button to turn the unit on. Press and hold ⏻ to turn unit off.
Changing Modes	Press MODE to select between Radio, AUX, Bluetooth, USB, iPod. Modes of operation are shown in the display.
Volume	Adjust volume using Encoder Volume .
Mute	Press MUTE to silence the audio. Press MUTE again to resume listening at the previously selected volume.
Auxiliary Inputs	Insert RCA cables into the rear AUX-IN connectors.
Display	Press DISP to toggle display between various displayed information.
Audio/Menu	Press Audio/Menu to access the audio and setup menu options.
Reset	If abnormal operation occurs, press and hold Audio/Menu and TUNE <<< for 3 seconds to reset the unit to the default factory settings.

Weather Band Operation

Manual Tuning	Press TUNE <<< or TUNE >>> momentarily to seek the next weather band station.
Band	Press BAND to select weather band(WB).

Speaker Zone Control Operation

Speaker Zone 1	Press the Zone 1 button to turn on/off the sound from this Zone.
Speaker Zone 2	Press the Zone 2 button to turn on/off the sound from this Zone.
Speaker Zone 3	Press the Zone 3 button to turn on/off the sound from this Zone.

To download the complete Owner's Manual for your radio, please visit www.dualav.com/support/manuals.php.

MP3 Operation

Playing MP3 Files	To play MP3 files, insert a USB device containing MP3 files.
Track Select	Press TUNE >>> to skip to the beginning of the next song. Press TUNE <<< to return to the beginning of the current song. Pressing TUNE <<< again skips to the beginning of the previous song.
Fast Forward and Reverse	Press and hold TUNE >>> or TUNE <<< to fast forward or reverse a track.
Pause	Press ⏸ to temporarily stop playback. Press ⏸ again to resume playback.
Folder Access	Press ⏪ to select the next folder. Press ⏩ to select the previous folder. Folder access is only available on devices with more than one folder.
File Search	When music is playing in USB mode, press SELECT button then the file list will appear. Turn volume rotary to select the song. Press SELECT to playback the song.
Function	Press and hold DISP button then the menu for repeat, random, intro will appear. Select the option by turning the rotary and pressing SELECT button.

Dual iPlug APP Control

Pls download Dual iPlug app from Apple app store or Google Play store and install the app on your smartphone. After the app download is complete, please pair the MMC36BT with your phone via Bluetooth. An then open the app. You are ready to control the MMC36BT using the app. For more information, please download the owner's manual from the following link. www.dualav.com/support/manuals.php



To download the complete Owner's Manual for your radio, please visit www.dualav.com/support/manuals.php.

Operation of iPod/iPhone

Connect an iPod/iPhone Device (sold separately)	To play music from an iPod/iPhone device, connect the USB cable (included with your iPod/iPhone device) to the unit's USB port. Playback will begin automatically.
Song Select	Press ⏪ to skip to the next song. Press ⏩ to return to the beginning of the current song. Pressing ⏩ again skips to the beginning of the previous song.
Forward/Reverse	Press and hold ⏪ or ⏩ to fast forward or reverse.
Pause	Press ⏸ to temporarily stop playback. Press ⏸ again to resume playback.
Function	Press and hold DISP button then the menu for repeat, random, intro will appear. Select the option by turning the rotary and pressing SELECT button.

AM/FM Tuner Operation

Seek Tuning	Press TUNE <<< or TUNE >>> for more than one second to seek to the next strong station.
Manual Tuning	Press TUNE <<< or TUNE >>> momentarily to move radio frequency up or down one step at a time. Press and hold to advance quickly.
Band	Press BAND to select between FM1, FM2, FM3, AM1, AM2 and Weather Band. Up to six presets can be programmed for each band, enabling up to 18 FM stations and 12 AM stations to be stored in memory.
Storing Presets	Press SELECT button then preset channel list will appear. Select the desired preset channel by turning the rotary. Press SELECT button to store the radio station.
Recalling Presets	Press the P buttons to cycle through the 1-6 presets in the current band.

To download the complete Owner's Manual for your radio, please visit www.dualav.com/support/manuals.php.

Bluetooth® Operation

Preparation	Before using a Bluetooth device, it must be paired and connected. Ensure that Bluetooth is activated on your device before beginning the pairing process.
Pairing a New Device	The head unit broadcasts the pairing signal constantly when no devices are connected. Complete the pairing sequence from your Bluetooth device. Refer to the owner's manual for your device for more details. The device name is "MMC36BT". Note: The head unit can be in any mode of operation when pairing is performed.
Pairing Additional Devices	If a device is currently connected, press and hold BAND to disconnect the current device before a new device can be paired. Then begin the pairing sequence from the new Bluetooth device.
Disconnecting a Device	Press and hold BAND for 3 seconds to disconnect a connected device. The device will remain paired and appear in the SEARCH menu, but not be connected.
Bluetooth Reset	Resetting the Bluetooth module will remove the list of paired phones. Reset Bluetooth as follows: 1) Press MODE until the head unit is in Bluetooth mode. 2) Press and hold MENU for 3 seconds to reset the Bluetooth settings back to the factory default.
Streaming Audio Troubleshooting	The head unit supports A2DP wireless streaming audio from a Bluetooth mobile device directly to your head unit. The following functions can be used to control the music: • Press ⏪ to skip to the next available audio track. • Press ⏩ to skip to the previous audio track. • Press ⏸ to toggle between play and pause during playback.

To download the complete Owner's Manual for your radio, please visit www.dualav.com/support/manuals.php.

Limited One-Year Warranty

This warranty gives you specific legal rights. You may also have other rights which vary from state to state. Dual Electronics Corp. warrants this product to the original purchaser to be free from defects in material and workmanship for a period of one year from the date of the original purchase. (Note that select marine products carry a 2-year warranty. Please visit www.dualav.com for details.) Dual Electronics Corp. agrees, at our option, during the warranty period, to repair any defect in material or workmanship or to furnish an equal new, renewed or comparable product (whichever is deemed necessary) in exchange without charges, subject to verification of the defect or malfunction and proof of the date of purchase. Subsequent replacement products are warranted for the balance of the original warranty period.

Who is covered? This warranty is extended to the original retail purchaser for products purchased and used in the U.S.A.

What is covered? This warranty covers all defects in material and workmanship in this product. The following are not covered: installation/removal costs, damage resulting from accident, misuse, abuse, neglect, product modification, improper installation, incorrect line voltage, unauthorized repair or failure to follow instructions supplied with the product, or damage occurring during return shipment of the product.

What to do?

- Before you call for service, check the troubleshooting guide in your owner's manual. A slight adjustment of any custom controls may save you a service call.
- If you require service during the warranty period, you must carefully pack the product (preferably in the original package) and ship it by prepaid transportation with a copy of the original receipt from the retailer to an authorized service center.
- Please describe your problem in writing and include your name, a return UPS shipping address (P.O. Box not acceptable), and a daytime phone number with your shipment.
- For more information and for the location of the nearest authorized service center please contact us toll-free at 1-866-382-5476 or by email at cs@dualav.com.

Exclusion of Certain Damages: This warranty is exclusive and in lieu of any and all other warranties, expressed or implied, including without limitation the implied warranties of merchantability and fitness for a particular purpose and any obligation, liability, right, claim or remedy in contract or tort, whether or not arising from the company's negligence, actual or imputed. No person or representative is authorized to assume for the company any other liability in connection with the sale of this product. In no event shall the company be liable for indirect, incidental or consequential damages.

FCC Compliance

This device complies with Part 15 of the FCC Rules. Operation is subject to the following two conditions:
(1) this device may not cause harmful interference, and
(2) this device must accept any interference received, including interference that may cause undesired operation.

Warning: Changes or modifications to this unit not expressly approved by the party responsible for compliance could void the user's authority to operate the equipment.

Note: This equipment has been tested and found to comply with the limits for a Class B digital device, pursuant to Part 15 of the FCC Rules. These limits are designed to provide reasonable protection against harmful interference in a residential installation. This equipment generates, uses and can radiate radio frequency energy and, if not installed and used in accordance with the instructions, may cause harmful interference to radio communications. However, there is no guarantee that interference will not occur in a particular installation. If this equipment does cause harmful interference to radio or television reception, which can be determined by turning the equipment off and on, the user is encouraged to try to correct the interference by one or more of the following measures:

- Reorient or relocate the receiving antenna.
- Increase the separation between the equipment and receiver.
- Connect the equipment into an outlet on a circuit different from that to which the receiver is connected.
- Consult the dealer or an experienced radio/TV technician for help.



Dual Electronics Corp.
Toll Free: 1-866-382-5476
Monday-Friday, 9AM-5PM
www.dualav.com

©2017 Dual Electronics Corp. All rights reserved.

iPhone, iPod, iPod classic, iPod nano, and iPod touch are trademarks of Apple Inc., registered in the U.S. and other countries.
"Made for iPod" and "Made for iPhone" mean that an electronic accessory has been designed to connect specifically to iPod or iPhone, respectively, and has been certified by the developer to meet Apple performance standards. Apple is not responsible for the operation of this device or its compliance with safety and regulatory standards. Please note that the use of this accessory with iPod or iPhone may affect wireless performance.
The Bluetooth® word mark and logos are owned by the Bluetooth SIG, Inc. and any use of such marks by Namsung is under license.
Pandora, the Pandora logo, and the Pandora trade dress are trademarks of Pandora Media, Inc., used with permission.
Other trademarks and trade names are those of their respective owners.
NSC1216-V01