



# Quick Start Guide

For Mechless and CD Receivers

Not all features listed in this QSG are available on all models.



To download the complete, model-specific manual, please visit [www.dualav.com/support/manuals.php](http://www.dualav.com/support/manuals.php) or call 1-866-382-5476, 9AM-5PM EST (Monday-Friday).

## General Operation

<b>Power On/Off</b>	Press the  button to turn the unit on. Press  again to turn unit off.
<b>Faceplate Removal</b>	Press <b>RELEASE</b> and pull away from the left side to remove. To re-install, insert right side of faceplate first then push left side to secure.
<b>Changing Modes</b>	Press <b>MODE</b> to select between AM/FM, CD player, auxiliary input, USB and operation of iPod/iPhone. Modes of operation are shown in the display.
<b>Volume</b>	Adjust volume using volume knob.
<b>Mute</b>	Press  to silence the audio. Press  again to resume listening at the previously selected volume.
<b>Auxiliary Inputs</b>	Insert a 3.5mm cable in the units front AUX port, or RCA cables into the rear AUX-IN connectors.
<b>Reset</b>	Press the <b>RESET</b> button to reset the unit back to the factory settings if abnormal operation occurs. The reset button is located behind the front panel.
<b>Setting the Clock</b>	With the unit on, press and hold <b>DISP</b> until the clock begins to flash, then release. Press <b>TUNE</b> to adjust the hours and <b>TUNE</b> to adjust the minutes. Press <b>DISP</b> momentarily to save the selected time.
<b>Display</b>	Press <b>DISP</b> to toggle display between various displayed information.
<b>Audio / Menu</b>	Press and hold <b>AUDIO/MENU</b> for more than three seconds to access the setup menu. Press <b>AUDIO/MENU</b> momentarily to select between the menu functions and rotate the volume knob left/right to adjust or activate the desired function.

To download the complete Owner's Manual for your radio, please visit [www.dualav.com/support/manuals.php](http://www.dualav.com/support/manuals.php).

## MP3 / WMA Operation \*

<b>Playing MP3/WMA Files</b>	To play MP3/WMA files, insert a data CD, SD card or USB device containing MP3/WMA files.
<b>Track Select</b>	Press <b>TUNE</b> to skip to the beginning of the next song. Press <b>TUNE</b> to return to the beginning of the current song. Pressing <b>TUNE</b> again skips to the beginning of the previous song.
<b>Fast Forward and Reverse</b>	Press and hold <b>TUNE</b> or <b>TUNE</b> to fast forward or reverse a track.
<b>Pause</b>	Press  to temporarily stop playback. Press  again to resume playback.
<b>Folder Access</b>	Press  to select the next folder. Press  to select the previous folder. Folder access is only available on discs or devices with more than one folder.
<b>Repeat</b>	Press <b>RPT</b> to enter the Repeat menu, then turn the volume knob to select one of the following options: • <b>OFF</b> - Cancels RDM function. • <b>ALL</b> - Plays all tracks on disc or device. • <b>TRACK</b> - Continuously repeats selected track. • <b>FOLDER</b> - Continuously repeats all files in folder.
<b>Random</b>	Press <b>RDM</b> to enter the Random menu, then turn the volume knob to select one of the following options: • <b>OFF</b> - Cancels RDM function. • <b>ALL</b> - Plays all tracks in random order. • <b>FOLDER</b> - Plays all tracks in folder in random order.
<b>Intro</b>	Press <b>INT</b> to enter the Intro menu, then turn the volume knob to select one of the following options: • <b>OFF</b> - Cancels the INT function. • <b>ALL</b> - Plays first 10 seconds of each track. • <b>FOLDER</b> - Plays first 10 seconds of each track in the selected folder.

\* Not available on all models. To download the complete Owner's Manual for your radio, please visit [www.dualav.com/support/manuals.php](http://www.dualav.com/support/manuals.php).

## Pandora® Operation\*

<b>Requirements</b>	Control for Pandora requires: • An iPhone device with a reliable data connection, or an iPod touch that is connected to wireless internet. • The Pandora App installed on the iPhone/iPod device. • An active account with Pandora ( <a href="http://www.pandora.com">www.pandora.com</a> ). • The USB sync cable included with iPod/iPhone device.
<b>USB Connection</b>	Connect an iPod touch or iPhone device (required, sold separately) to the USB port, using the USB sync cable included with your iPhone device.
<b>Changing Stations</b>	Press <b>SELECT</b> to display the stations menu. Turn the volume knob to cycle through the list of stations, then press <b>SELECT</b> when the desired station is highlighted. <b>Note:</b> Stations must be created on your account prior to connecting your iPod/iPhone device to the head unit.
<b>Shuffle</b>	Press <b>SELECT</b> to display the stations menu. Choose "Shuffle" from the stations menu to shuffle songs from all of your stations.
<b>Skip Track</b>	Press  to skip the current song.
<b>Play/Pause</b>	Press  to temporarily stop playback. Press  again to resume playback.
<b>Thumbs Up</b>	Press  to customize the station to play more songs like the currently playing song.
<b>Thumbs Down</b>	Press  to customize the station to play songs that are different from the currently playing song.
<b>Device Compatibility</b>	Refer to the Owner's Manual for a complete list of devices compatible with this head unit. Refer to <a href="http://www.pandora.com/everwhere/mobile">www.pandora.com/everwhere/mobile</a> for devices compatible with the Pandora mobile application.
<b>Troubleshooting</b>	<b>Note:</b> Pandora is an internet service, carrier and data charges may apply. * Not available on all models. To download the complete Owner's Manual for your radio, please visit <a href="http://www.dualav.com/support/manuals.php">www.dualav.com/support/manuals.php</a> .

Pandora is only available in certain countries. Please visit <http://www.pandora.com/legal> for more information.

## Installation

**Before You Start**

- Consult a qualified technician for instructions. Dual always recommends professional installation.
- Disconnect negative battery terminal.
- Remove trim ring from unit (if installed).
- Remove 2 transit screws located on top of the unit (if applicable).
- Insert the removal keys, and remove the mounting sleeve from the head unit.

**Note:** Most vehicles require an installation kit, wiring harness and/or antenna adapter (all sold separately) to properly install the head unit in the vehicle.

**Installation Process**

- Carefully remove the existing head unit.
- Connect wiring harness. Consult a qualified technician if you are unsure.
- Mount the head unit using the mounting sleeve or ISO brackets (depending on your vehicle's dashboard).
- Connect wiring harness and antenna. Test the head unit for correct operation.
- Slide into mounting sleeve to secure, or mount the ISO brackets to the vehicle.
- Snap trim ring into place.

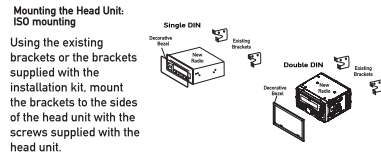
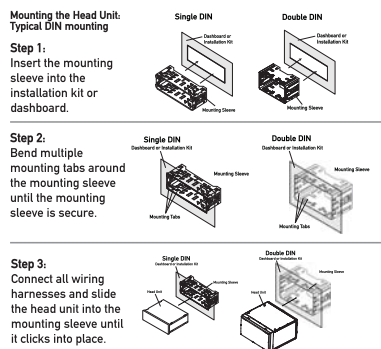
The chart below the connection for each wire in the wiring harness.

Color	Connection
Red	12V Ignition / Accessory
Yellow	12V Battery / Memory
Black	Ground
Blue	Power Antenna / Amp Turn-on
Grey	Right Front (+)
Grey/Black	Right Front (-)
White	Left Front (+)
White/Black	Left Front (-)
Violet	Right Rear (+)
Violet/Black	Right Rear (-)
Green	Left Rear (+)
Green/Black	Left Rear (-)

**Tip:** When a suitable ground wire is not present in the vehicle wiring harness, connect the black ground wire to the vehicle chassis.

**Fuse:** When replacing the fuse, make sure new fuse is the correct type and amperage. Using an incorrect fuse could damage the radio.

## Installation



## CD Operation\*

<b>Insert CD</b>	With the label facing up, insert a standard size CD into the CD slot. Playback will begin automatically.
<b>Eject CD</b>	Press <b>EJECT</b> (located behind the front panel) to eject the CD. The unit will advance to previous mode of operation.
<b>Track Select</b>	Press <b>TUNE</b> to skip to the beginning of the next track. Press <b>TUNE</b> to return to the beginning of the current track. Pressing <b>TUNE</b> again skips to the beginning of the previous track.
<b>Fast Forward/Reverse</b>	Press and hold <b>TUNE</b> or <b>TUNE</b> to fast forward or reverse a track.
<b>Pause</b>	Press  to temporarily stop CD playback. Press  again to resume playback.
<b>Intro</b>	Press <b>INT</b> to access the Intro menu, then turn the volume knob to select one of the following: • <b>OFF</b> - Cancels the INT function. • <b>ALL</b> - Plays the first 10 seconds of each track.
<b>Repeat</b>	Press <b>RPT</b> to access the Repeat menu, then turn the volume knob to select one of the following: • <b>ALL</b> - Plays all tracks on CD. • <b>TRACK</b> - Continuously repeats selected track.
<b>Random</b>	Press <b>RDM</b> to access the Random menu, then turn the volume knob to select one of the following: • <b>OFF</b> - Cancels the RDM function. • <b>ALL</b> - Plays all tracks in random order.
<b>CD-R/CD-RW Compatibility</b>	Some CD-Rs and CD-RWs may be incompatible with this unit, depending on media type and recording method. Refer to the online owner's manual for details.

\* Not available on all models. To download the complete Owner's Manual for your radio, please visit [www.dualav.com/support/manuals.php](http://www.dualav.com/support/manuals.php).

## AM/FM Tuner Operation

<b>Seek Tuning</b>	Press <b>TUNE</b> or <b>TUNE</b> for more than one second to seek to the next strong station.
<b>Manual Tuning</b>	Press <b>TUNE</b> or <b>TUNE</b> momentarily to move radio frequency up or down one step at a time. Press and hold to advance quickly.
<b>Band</b>	Press <b>BAND</b> to select between FM1, FM2, FM3, AM1 and AM2 bands. Up to six presets can be programmed for each band, enabling up to 18 FM stations and 12 AM stations to be stored in memory.
<b>Storing Presets</b>	Up to 18 FM and 12 AM stations can be stored. To store a station, select the desired band and station. Press and hold the desired preset button (1-6) for more than two seconds. When stored, the preset number will appear in the display.
<b>Recalling Presets</b>	Preset stations can be recalled any time by pressing the corresponding preset button.

To download the complete Owner's Manual for your radio, please visit [www.dualav.com/support/manuals.php](http://www.dualav.com/support/manuals.php).

## Operation of iPod/iPhone\*

<b>Song Select</b>	Press  to skip to the next song. Press  to return to the beginning of the current song. Pressing  again skips to the beginning of the previous song.
<b>Forward/Reverse</b>	Press and hold  or  to fast forward or reverse.
<b>Pause</b>	Press  to temporarily stop playback. Press  again to resume playback.
<b>Repeat</b>	Press <b>RPT</b> to enter the Repeat menu, then turn the volume knob to select one of the following options: • <b>ALL</b> - Repeats all tracks. • <b>SONG</b> - Continuously repeats selected track.
<b>Random</b>	Press <b>RDM</b> to enter the Random menu, then turn the volume knob to select one of the following options: • <b>OFF</b> - Cancels the RDM function. • <b>ALL</b> - Plays all tracks in random order. • <b>ALBUM</b> - Plays all tracks in album in random order.
<b>Intro</b>	Press <b>INT</b> to enter the Intro menu, then turn the volume knob to select one of the following options: • <b>OFF</b> - Cancels the INT function. • <b>ON</b> - Plays first 10 seconds of each track.
<b>Music Search</b>	Turn the volume knob to select between artists, albums, songs, playlists, podcasts and audiobooks. Press <b>SELECT</b> to select the desired search category. Most search categories have subcategories to toggle through.
<b>Manual Control for iPod</b>	When "MANUAL" control is selected from the Setup Menu, the iPod or iPhone device can be controlled directly from the device's interface. All functions except for volume can be used from the iPod or iPhone device. <b>Note:</b> The firmware of the iPod/iPhone must be up dated to the latest version to be compatible with manual control model. Not all devices are compatible with manual control mode.

\* Not available on all models. To download the complete Owner's Manual for your radio, please visit [www.dualav.com/support/manuals.php](http://www.dualav.com/support/manuals.php).

## Bluetooth® Operation\*

<b>Preparation</b>	Before using a Bluetooth device, it must be paired and connected. Ensure that Bluetooth is activated on your device before beginning the pairing process.
<b>Pairing a New Device</b>	The head unit broadcasts the pairing signal constantly when no devices are connected. Complete the pairing sequence from your Bluetooth device. Refer to the owner's manual for your device for more details.  The device name is "DUAL BT". The Bluetooth passcode "1234". <b>Note:</b> The head unit can be in any mode of operation when pairing is performed.
<b>Pairing Additional Devices</b>	If a device is currently connected, press and hold  to disconnect the current device before a new device can be paired. Then begin the pairing sequence from the new Bluetooth device.
<b>Disconnecting a Device</b>	Press and hold  for 3 seconds to disconnect a connected device. The device will remain paired and appear in the SEARCH menu, but not be connected.
<b>Streaming Audio Troubleshooting</b>	The head unit supports A2DP wireless streaming audio from a Bluetooth mobile device directly to your head unit. The following functions can be used to control the music: • Press  to skip to the next available audio track. • Press  to skip to the previous audio track. • Press  to toggle between play and pause during playback.

\* Not available on all models. To download the complete Owner's Manual for your radio, please visit [www.dualav.com/support/manuals.php](http://www.dualav.com/support/manuals.php).

## Limited One-Year Warranty

This warranty gives you specific legal rights. You may also have other rights which vary from state to state. Dual Electronics Corp. warrants this product to the original purchaser to be free from defects in material and workmanship for a period of one year from the date of the original purchase. (Note that select marine products carry a 2-year warranty. Please visit [www.dualav.com](http://www.dualav.com) for details.) Dual Electronics Corp. agrees, at our option, during the warranty period, to repair any defect in material or workmanship or to furnish an equal new, renewed or comparable product (whichever is deemed necessary) in exchange without charges, subject to verification of the defect or malfunction and proof of the date of purchase. Subsequent replacement products are warranted for the balance of the original warranty period.

**Who is covered?** This warranty is extended to the original retail purchaser for products purchased and used in the U.S.A.

**What is covered?** This warranty covers all defects in material and workmanship in this product. The following are not covered: installation/removal costs, damage resulting from accident, misuse, abuse, neglect, product modification, improper installation, incorrect line voltage, unauthorized repair or failure to follow instructions supplied with the product, or damage occurring during shipment of the product.

**What to do?**

- Before you call for service, check the troubleshooting guide in your owner's manual. A slight adjustment of any custom controls may save you a service call.
- If you require service during the warranty period, you must carefully pack the product (preferably in the original package) and ship it by prepaid transportation with a copy of the original receipt from the retailer to an authorized service center.
- Please describe your problem in writing and include your name, a return UPS shipping address (P.O. Box not acceptable), and a daytime phone number with your shipment.
- For more information and for the location of the nearest authorized service center please contact us toll-free at 1-866-382-5476 or by email at [cs@dualav.com](mailto:cs@dualav.com).

**Exclusion of Certain Damages:** This warranty is exclusive and in lieu of any and all other warranties, expressed or implied, including but not limited to the implied warranties of merchantability and fitness for a particular purpose and any obligation, liability, right, claim or remedy in contract or tort, whether or not arising from the company's negligence, actual or imputed. No person or representative is authorized to assume for the company any other liability in connection with the sale of this product. In no event shall the company be liable for indirect, incidental or consequential damages.

## FCC Compliance

This device complies with Part 15 of the FCC Rules. Operation is subject to the following two conditions:  
(1) This device may not cause harmful interference, and  
(2) This device must accept any interference received, including interference that may cause undesired operation.

**Warning:** Changes or modifications to this unit not expressly approved by the party responsible for compliance could void the user's authority to operate the equipment.

**Note:** This equipment has been tested and found to comply with the limits for a Class B digital device, pursuant to Part 15 of the FCC Rules. These limits are designed to provide reasonable protection against harmful interference in a residential installation. This equipment generates, uses and can radiate radio frequency energy and, if not installed and used in accordance with the instructions, may cause harmful interference to radio communications. However, there is no guarantee that interference will not occur in a particular installation. If this equipment does cause harmful interference to radio or television reception, which can be determined by turning the equipment off and on, the user is encouraged to try to correct the interference by one or more of the following measures:

- Reorient or relocate the receiving antenna.
- Increase the separation between the equipment and receiver.
- Connect the equipment into an outlet on a circuit different from that to which the receiver is connected.
- Consult the dealer or an experienced radio/TV technician for help.



Dual Electronics Corp.  
Toll Free: 1-866-382-5476  
Monday-Friday, 9AM-5PM  
www.dualav.com

©2015 Dual Electronics Corp. All rights reserved.  
The SD logo is a trademark of the SD Card Association.

iPhone, iPod classic, iPod nano and iPod touch are trademarks of Apple Inc., registered in the U.S. and other countries.  
"Made for iPod" and "Made for iPhone" mean that an electronic accessory has been designed to connect specifically to iPod or iPhone respectively, and has been certified by the developer to meet Apple performance standards. Apple is not responsible for the operation of this device or its compliance with safety and regulatory requirements. Consult the user's accessory with iPod or iPhone may affect wireless performance.

The Bluetooth® word mark and logos are owned by the Bluetooth SIG, Inc. and any use of such marks by Panasonic is under license.  
Panasonic, the Panasonic logo and the Pandora logo are trademarks of Panasonic Media, Inc. used with permission.

Other trademarks and trade names are those of their respective owners.  
MSAD15-101