



**FIAT
PUNTO**

**OWNER
HANDBOOK**

Dear Customer,

Thank you for selecting Fiat and congratulations on your choice of a Fiat Punto.

We have written this handbook to help you get to know all your new Fiat Punto features and use it in the best possible way.

You should read it right through before taking the road for the first time.

You will find information, tips and important warnings regarding the driving of your car to help you derive the maximum from your Fiat Punto technological features.

You are recommended to read carefully the warnings and indications, marked with the respective symbols, at the end of the page:



personal safety;



the car's wellbeing;



environmental protection.

The enclosed Warranty Booklet lists the services that Fiat offers to its Customers:

- the Warranty Certificate with terms and conditions for maintaining its validity
- the range of additional services available to Fiat Customers

Best regards and good motoring!

This Owner Handbook describes all Fiat Punto versions. As a consequence, you should consider only the information which is related to the engine and bodywork version of the car you purchased.

MUST BE READ!

REFUELLING




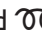
Petrol engines: only refuel with unleaded petrol with octane rating (RON) not less than 95.

Diesel engines: only refuel with diesel fuel conforming to the European specification EN590. Using other products or mixtures may damage the engine beyond repair and cause the forfeiture of the warranty cover for caused damages as a consequence.

ENGINE STARTING



Petrol engines: make sure that the handbrake is engaged; set the gearshift lever to neutral; fully depress the clutch without pressing the accelerator, then turn the ignition key to AVV and release it as soon as the engine has started.

Diesel engines: turn the ignition key to MAR and wait for the  and  warning lights to go off; turn the ignition key to AVV and release it as soon as the engine has started.

PARKING ON FLAMMABLE MATERIAL



While working, the catalyst develops a very high temperature. Do not park the car over grass, dry leaves, pine needles or any other inflammable materials: risk of fire.

RESPECTING THE ENVIRONMENT



A system for continuously monitoring emission system components to ensure greater environmental protection is fitted in your car.

ELECTRICAL ACCESSORIES

If, after buying the car, you decide to add electrical accessories (that will gradually drain the battery), visit a Fiat Dealership. They can calculate the overall electrical requirement and check that the car's electric system can support the required load.



CODE card

Keep the code card in a safe place, not in the car. You should always keep the electronic code written on the CODE card with you in case you need to carry out an emergency start-up procedure.






SCHEDULED SERVICING

Correct maintenance of the car is essential for ensuring it stays in tip-top condition and safeguards its safety features, its environmental friendliness and low running costs for a long time to come.



THE OWNER HANDBOOK CONTAINS...

...information, tips and important warnings regarding the safe, correct driving of your car, and its maintenance. Pay particular attention to the symbols  (personal safety)  (environmental protection)  (the car's wellbeing). Should the reconfigurable multifunction display show the message "See Handbook", refer to section "Warning lights and messages" in this Handbook.

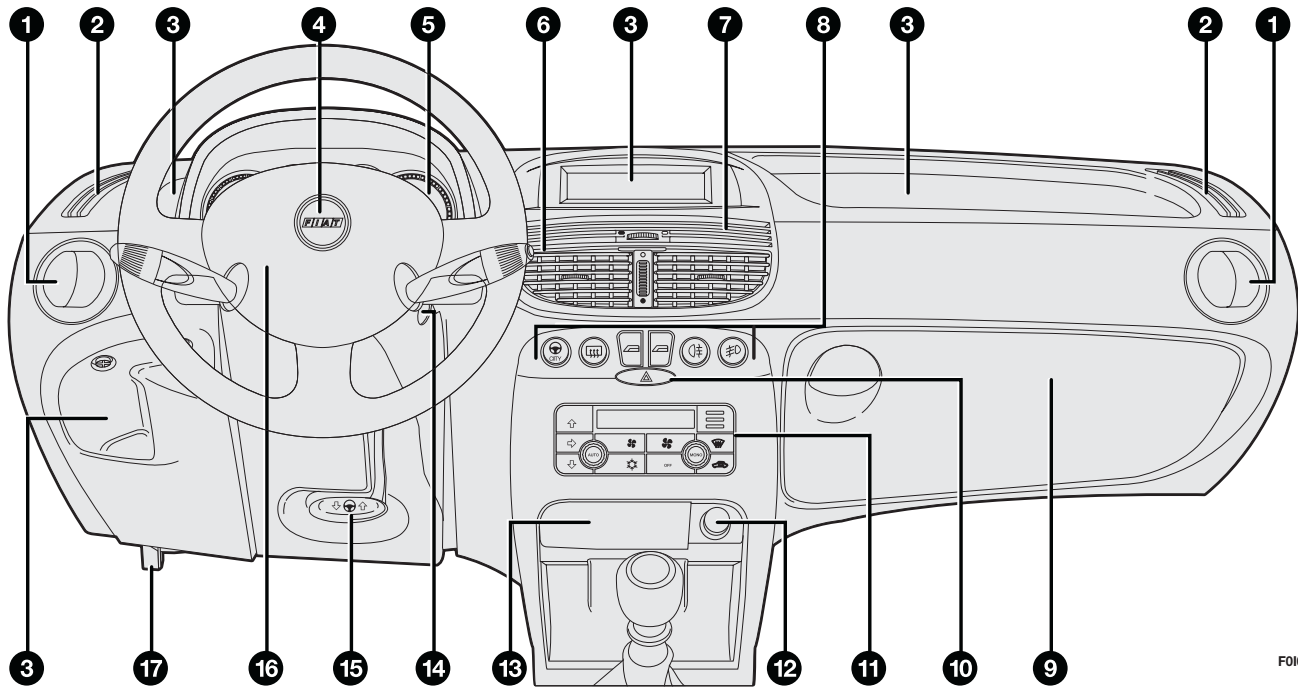


DASHBOARD AND CONTROLS

DASHBOARD	5	CRUISE CONTROL	86
INSTRUMENT PANEL	6	CEILING LIGHTS.....	89
SYMBOLS	11	CONTROLS.....	91
THE FIAT CODE SYSTEM	11	INTERIOR FITTINGS.....	93
THE KEYS	13	SUNROOF.....	96
IGNITION SWITCH.....	16	DOOR	98
INSTRUMENTS	18	POWER WINDOWS	100
DIGITAL DISPLAY.....	22	BOOT	101
MULTIFUNCTION DISPLAY	24	BONNET	107
RECONFIGURABLE MULTIFUNCTION DISPLAY	28	ROOF RACK/SKI RACK	109
SEATS.....	56	HEADLIGHTS.....	111
HEAD RESTRAINTS	59	ABS SYSTEM	113
STEERING WHEEL.....	60	ESP SYSTEM	115
REARVIEW MIRRORS.....	60	EOBD SYSTEM	119
HEATING/CLIMATE CONTROL SYSTEM	62	SOUND SYSTEM.....	120
HEATING AND VENTILATION.....	65	CELLULAR PHONE SET-UP.....	123
MANUAL CLIMATE CONTROL SYSTEM	68	ACCESSORIES PURCHASED BY THE OWNER	125
AUTOMATIC TWO-ZONE CLIMATE CONTROL SYSTEM (DUALZONE)	71	“DUALDRIVE” ELECTRIC POWER STEERING SYSTEM	126
EXTERNAL LIGHTS.....	78	PARKING SENSORS	128
WINDOW WASHING	81	AT THE FILLING STATION	130
		PROTECTING THE ENVIRONMENT	133

DASHBOARD

The presence and the position of the instruments and warning lights may vary according to the versions.



- 1. Side swivel vent - 2. Side fixed vent - 3. Oddment compartment - 4. Horn - 5. Instrument panel - 6. Central swivel vent - 7. Central fixed vent - 8. Central controls - 9. Glovebox - 10. Hazard light switch - 11. Controls for heating, ventilation and climate control - 12. Cigar lighter - 13. Ashtray - 14. Ignition switch - 15. Steering wheel adjustment lever - 16. Front passenger air bag - 17. Bonnet opening lever.

F010098m

DASHBOARD AND CONTROLS

SAFETY DEVICES

CORRECT USE OF THE CAR

WARNING LIGHTS AND MESSAGES

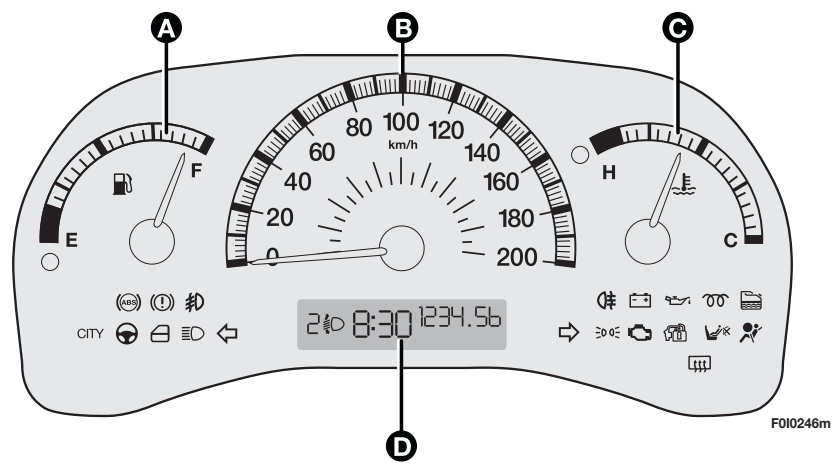
IN AN EMERGENCY

CAR MAINTENANCE

TECHNICAL SPECIFICATIONS

INDEX

INSTRUMENT PANEL



Punto 1.28v - 1.3 Multijet versions

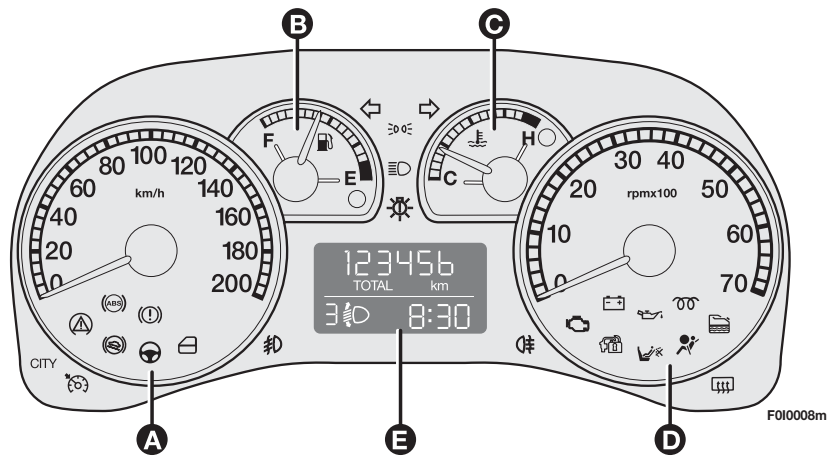
- (A) - Fuel level gauge with reserve warning light
- (B) - Speedometer (speed indicator)
- (C) - Engine coolant temperature gauge and excessive temperature warning light
- (D) - Digital display

  warning lights fitted on 1.3 Multijet version only

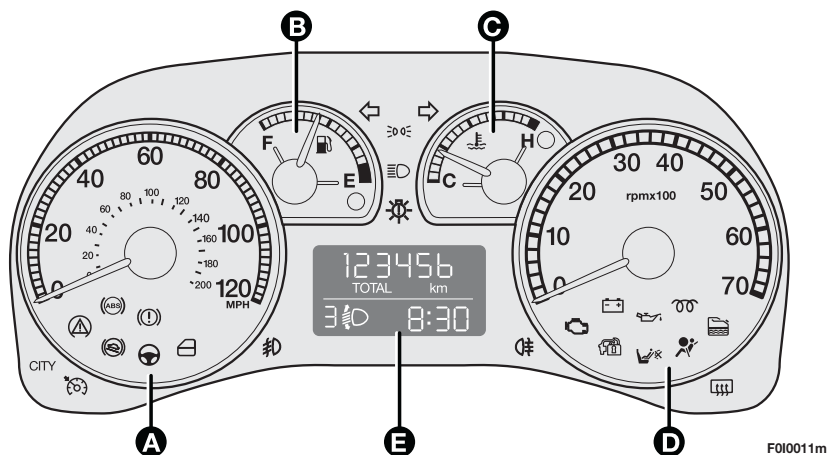
**ACTIVE, SOUND, DYNAMIC,
CLASS versions**

- (A) - Speedometer (speed indicator)
- (B) - Fuel level gauge with reserve warning light
- (C) - Engine coolant temperature gauge and excessive temperature warning light
- (D) - Rev counter
- (E) - Multifunction display

  warning lights fitted on diesel versions

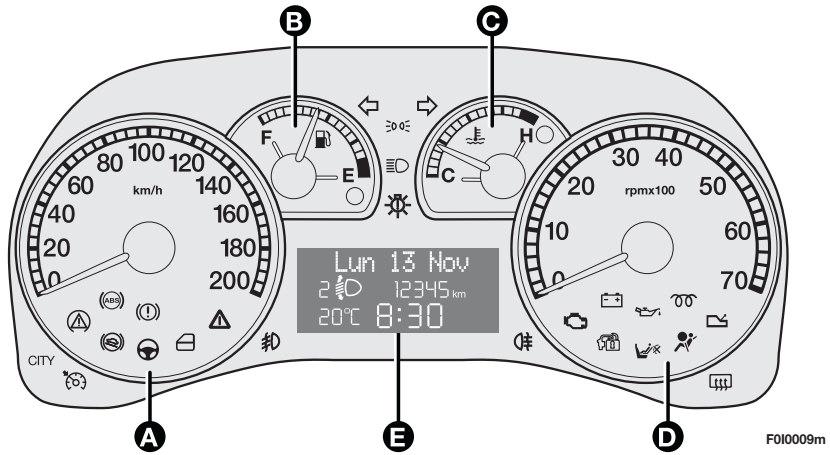


Left-hand drive versions



Versions with indications in miles for certain markets

- DASHBOARD AND CONTROLS
- SAFETY DEVICES
- CORRECT USE OF THE CAR
- WARNING LIGHTS AND MESSAGES
- IN AN EMERGENCY
- CAR MAINTENANCE
- TECHNICAL SPECIFICATIONS
- INDEX



Left-hand drive versions

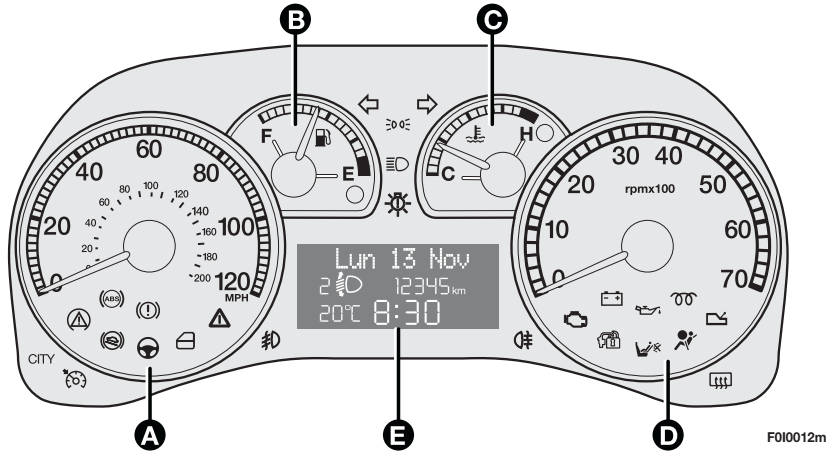
F01009m

EMOTION versions

- (A) - Speedometer (speed indicator)
- (B) - Fuel level gauge with reserve warning light
- (C) - Engine coolant temperature gauge and excessive temperature warning light
- (D) - Rev counter
- (E) - Reconfigurable multifunction display

warning light fitted on Speedgear or Dualogic versions

warning light fitted on diesel versions





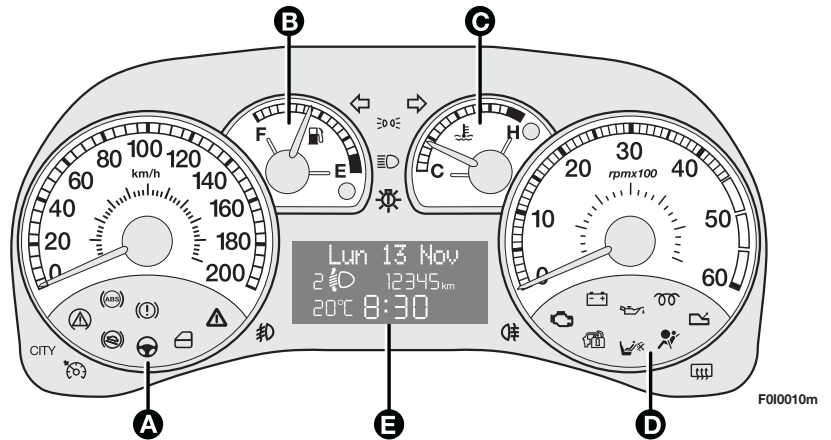
Versions with indications in miles for certain markets

F010012m

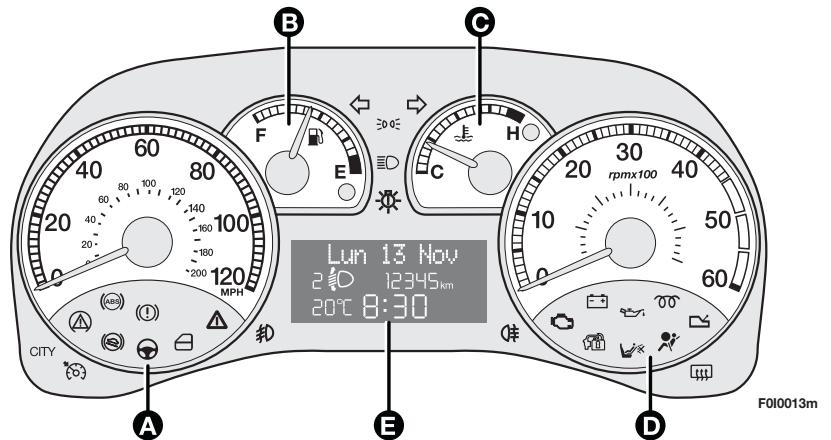
SPORTING version

- (A) - Speedometer (speed indicator)
- (B) - Fuel level gauge with reserve warning light
- (C) - Engine coolant temperature gauge and excessive temperature warning light
- (D) - Rev counter
- (E) - Reconfigurable multifunction display

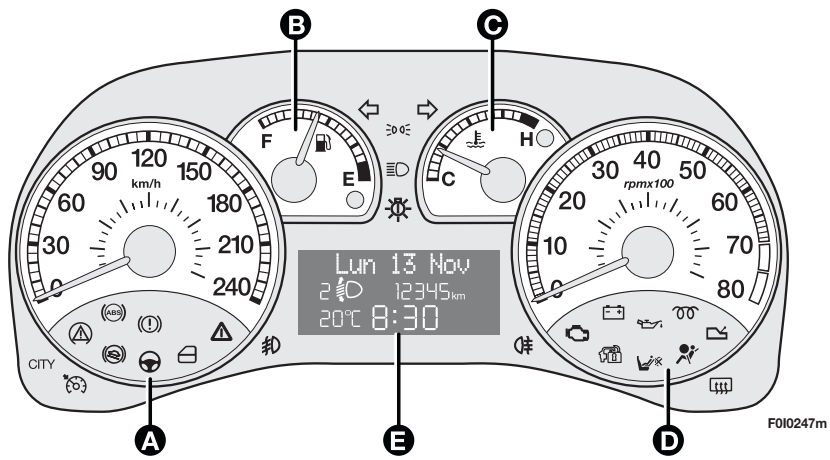
-  warning light fitted on Speedgear or Dualogic versions
-  warning light fitted on diesel version only



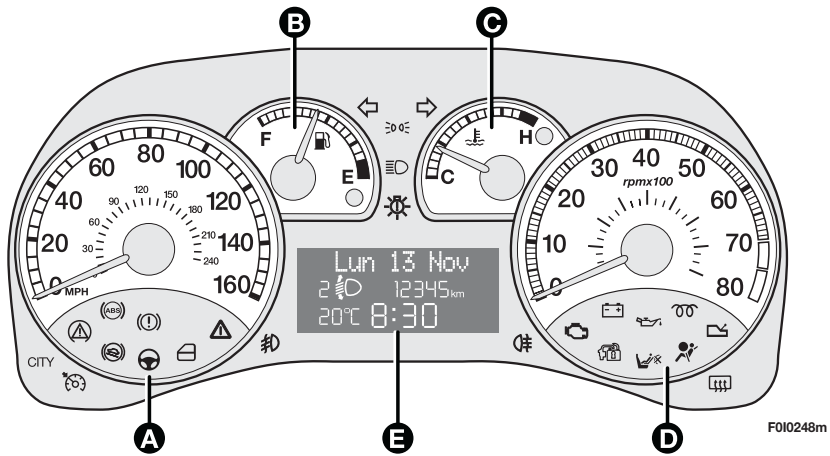
Left-hand drive versions



Versions with indications in miles for certain markets




Left-hand drive versions




Versions with indications in miles for certain markets

HGT version

- (A) - Speedometer (speed indicator)
- (B) - Fuel level gauge with reserve warning light
- (C) - Engine coolant temperature gauge and excessive temperature warning light
- (D) - Rev counter
- (E) - Reconfigurable multifunction display

 warning light fitted on diesel versions

 warning light fitted on Speedgear or Dualogic versions

SYMBOLS

Special coloured labels have been attached near or actually on some of the components of your Fiat Punto. These labels bear symbols that remind you of the precautions to be taken as regards that particular component.

The plate summarising the symbols used can be found under the bonnet.

THE FIAT CODE SYSTEM

To further protect your car from theft, it has been fitted with an engine immobilising system. This system is automatically activated when the ignition key is removed.

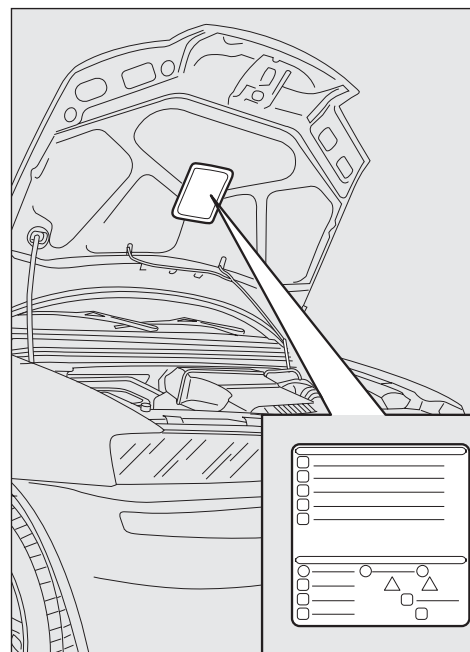
An electronic device, in fact, is fitted in each ignition key grip. The device transmits a radio-frequency signal when the engine is started through a special aerial built into the ignition switch. The modulate signal, which changes each time the engine is started, is the password by means of which the control unit recognises the key and enables to start the engine.

OPERATION

Each time the car is started turning the ignition key to MAR, the Fiat CODE system control unit sends a recognition code to the engine control unit to deactivate the inhibitor.

The code is sent only if the Fiat CODE system control unit has recognised the code transmitted from the key.

Each time the ignition key is turned to the STOP position, the Fiat CODE system deactivates the functions of the engine electronic control unit.



F010073m

DASHBOARD
AND CONTROLS

SAFETY
DEVICES

CORRECT USE
OF THE CAR


WARNING
LIGHTS AND
MESSAGES

IN AN
EMERGENCY

CAR
MAINTENANCE

TECHNICAL
SPECIFICATIONS





INDEX

At starting, if the code has not been recognised correctly, the warning light  will come on.

In this case, the key should be moved to the STOP position and then back to MAR; if the lock continues, possibly try again with the other key provided with the car. If it is still not possible to start the car, follow the instructions given in chapter “In an emergency” and then contact a Fiat Dealership.

IMPORTANT Every key has its own code, which must be memorised by the system control unit. To memorise new keys, up to a maximum of eight, apply to Fiat Dealership.

Warning light coming on when driving

- If the warning light  turns on, this means that the system is running a self-test (for example for a voltage drop). At the first stop, turn the ignition key to STOP and then to MAR again: if no failure is detected warning light  will not come on.
- If the warning light  stays on, repeat the procedure described previously leaving the key at STOP for over 30 seconds. Should the inconvenience persists, contact a Fiat Dealership.
- If the warning light  stays on this means that the code has not been recognised. In this case, the key should be moved to the STOP position and then back to MAR; if the lock continues, possibly try again with the other key provided with the car. If it is still not possible to start the car, follow the instruction given in chapter “In an emergency” and then contact a Fiat Dealership.



The electronic components inside the key may be damaged if the key is submitted to sharp knocks.

THE KEYS

CODE CARD

The car is delivered with two copies of the key and the CODE card which bears the following:

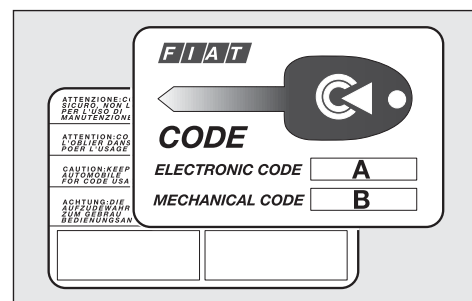
- the electronic code (A) to be used for emergency starting (see “Emergency starting” in section “Correct use of the car”)
- the mechanical key code (B) to be given to the Fiat Dealership when ordering duplicate keys.

Make sure you have the electronic code (A) with you at all times in the event you have to perform an emergency start-up.

IMPORTANT In order to ensure perfect efficiency of the electronic devices contained inside the keys, they should never be exposed to direct sunlight.

U.K. VEHICLES ONLY

At the behest of the motor Insurance Companies the CODE card for emergency starting and replacement of keys is not provided. If you need assistance please contact your nearest Fiat Dealership or telephone Free Phone 0800 717000.



All the keys and the CODE card must be handed over to the new owner when selling the car.

DASHBOARD AND CONTROLS

SAFETY DEVICES

CORRECT USE OF THE CAR

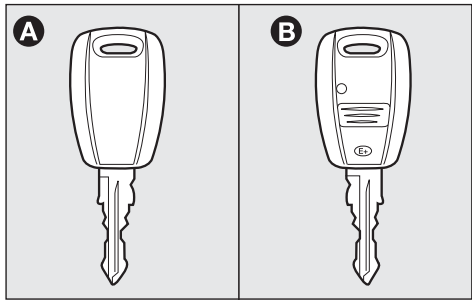
WARNING LIGHTS AND MESSAGES

IN AN EMERGENCY

CAR MAINTENANCE

TECHNICAL SPECIFICATIONS

INDEX

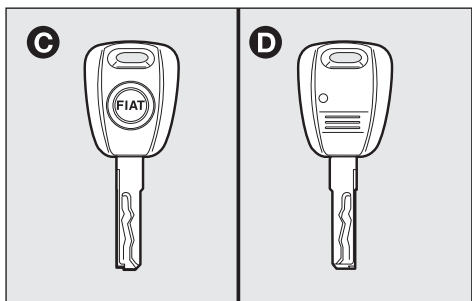


F010038m

KEY WITHOUT REMOTE CONTROL

Key (A) (or (C) in alternative), delivered in two copies when the car is not fitted with remote control, controls the following:

- the ignition switch;
- the door and boot locks;
- the fuel filler cap locking/unlocking (versions with fuel filler cap with keylock);
- the switch to deactivate the passenger's air bag (where provided).



F010267m

KEY WITH REMOTE CONTROL (where provided)

Key (B) (or (D) in alternative), delivered together with key (A) or (C) when the car is fitted with remote control, controls the following:

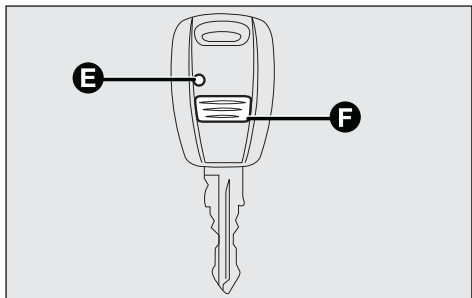
- the ignition switch;
- the door and boot locks;
- the fuel filler cap locking/unlocking (versions with fuel filler cap with keylock);
- the switch to deactivate the passenger's air bag (where provided).

Button (F) operates remote door locking/unlocking.

Led (E-where provided) comes on when sending the control to the system receiver.

When unlocking the doors, the internal lights will come on for a preset length of time.

IMPORTANT Certain radio devices outside the car (e.g. mobile phones, HAM radio systems) could disturb the remote control frequency. In this case the remote control could malfunction.



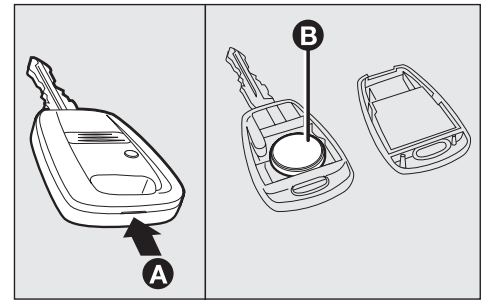
F010039m

Replacing the battery of the key with remote control

If when pressing the remote control button, the led on the key flashes briefly only once, the battery should be replaced with an equivalent one that can be purchased at common stores.

Battery replacement:

- open the plastic case by inserting a screwdriver in recess (A);
- remove the run-down battery (B) and insert the new one respecting the polarity;
- close the plastic case.

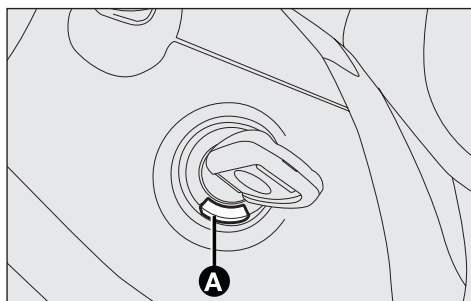


Request for additional remote controls

The system can recognise up to 8 keys with incorporated remote control. Should a new key with remote control be necessary, contact a Fiat Dealership, taking with you the CODE card, a personal identity document and the car's ownership documents.



Used batteries are harmful to the environment. They should be disposed of as specified by law in the special containers provided, or take them to a Fiat Dealership, which will deal with their disposal.



F010035m

IGNITION SWITCH

The key can be turned to 4 different positions:

- STOP: engine off, key can be removed, steering column locked. Certain electrical devices (e.g.: sound system, power windows, etc.) can work.
- MAR: driving position. All electrical devices are powered.
- AVV: engine starting.
- PARK: engine off, parking lights on, steering column locked. To turn the key to PARK, press button (A).

The ignition switch is fitted with a safety mechanism that, in the event the engine is not started, turns back the ignition key to STOP before repeating the starting operation.



WARNING

If the ignition device is tampered with (e.g.: attempted theft), have it checked over by a Fiat Dealership.



WARNING

When getting out of the car, always remove the key to prevent any occupants from accidentally activating the controls. Remember to engage the handbrake. If the car is parked on uphill slope to engage the first gear. If the car is facing downhill, engage the reverse gear. Never leave unsupervised children in the car.

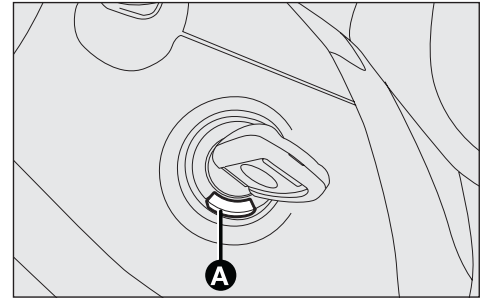
STEERING COLUMN LOCK

Engaging

When the key is to STOP or PARK remove the key and turn the steering wheel until it locks.

Disengaging

Rock the steering wheel slightly as you turn the ignition key to MAR.



F010035m



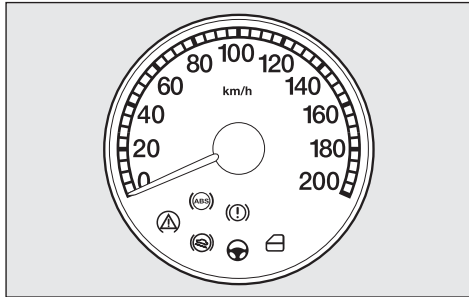
WARNING

Never remove the ignition key while the car is moving. The steering wheel would automatically lock as soon as you try to turn it. This also applies when the car is being towed.



WARNING

It is absolutely forbidden to carry out whatever after-market operation involving steering system or steering column modifications (e.g.: installation of anti-theft device) that could badly affect performance and safety, cause the lapse of warranty and also result in non-compliance of the car with homologation requirements.



F010229m

INSTRUMENTS

Instrument background and type can change according to versions.

SPEEDOMETER (SPEED INDICATOR)

It indicates the car speed.

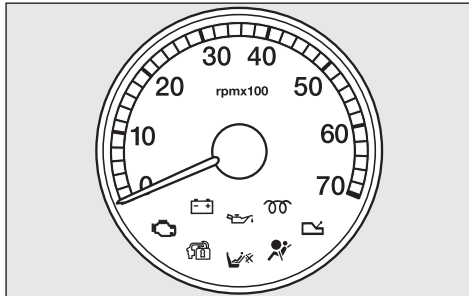
REV. COUNTER

The rev. counter shows engine rpm. The needle pointed to the danger area (red on certain versions) indicates excessive high engine speed. Do not drive for long periods with the needle in this area.

IMPORTANT The electronic injection control system gradually shuts off the flow of fuel when the engine is “over-revving” resulting in a gradual loss of engine power.

When the engine is idling, the rev counter may indicate a gradual or sudden highering of the speed.

This is normal as it takes place during normal operation, for example when activating the climate control system or the fan. In particular a slow change in the speed preserves the battery charge.



F010042m

FUEL LEVEL GAUGE

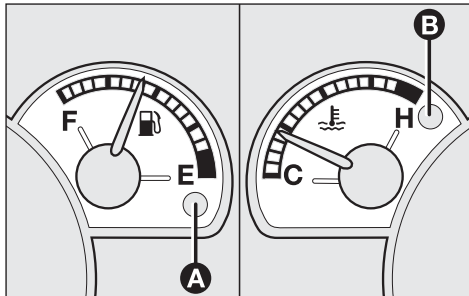
The needle indicates the amount of fuel left in the tank. The reserve warning light (A) turns on (on certain versions together with the message shown on the reconfigurable multifunction display) to indicate that 5 to 7 litres of fuel are left in the tank.

E - tank empty.

F - tank full (see contents of “At the filling station” paragraph in this chapter).

Do not travel with the fuel tank almost empty: the gaps in fuel delivery could damage the catalyst.

IMPORTANT If the needle reaches the (E) with warning light (A) flashing this means that there is a failure. Contact a Fiat Dealership.



F010041m

ENGINE COOLANT TEMPERATURE GAUGE

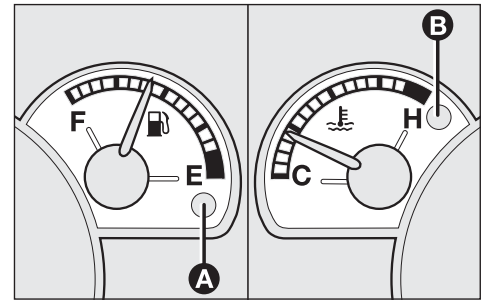
This shows the temperature of the engine coolant fluid and begins working when the fluid temperature exceeds approx. 50°C.

Under normal conditions, the needle should hover around the middle of the scale according to the working conditions.

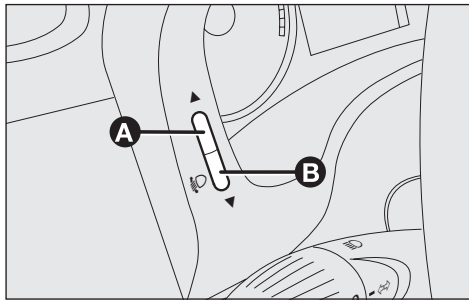
C - low engine coolant temperature.

H - excessive engine coolant temperature.

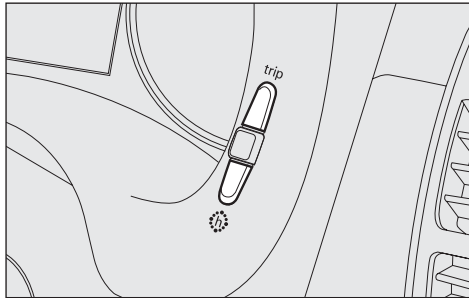
The turning on of the warning light (B) (on certain versions together with the message shown on the reconfigurable multifunction display) indicates that the coolant fluid temperature is too high; in this case, stop the engine and contact a Fiat Dealership.



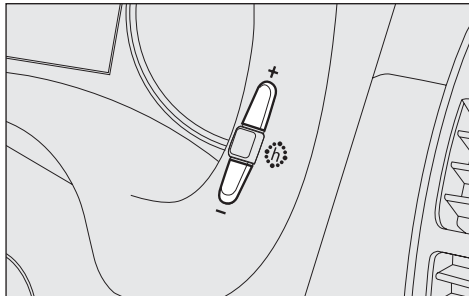
If the needle reaches the red area, stop the engine immediately and contact a Fiat Dealership.



F010063m



F010245m



F010244m

CONTROL BUTTONS

To use the information the “Digital display”, “Multifunction display” and “Reconfigurable multifunction display” are able to give (with the ignition key at MAR), you should firstly familiarise with the control buttons on the right and left side of the instrument panel and on the top of the right stalk (for the “Trip computer” function) (where provided) using them as described below.

Before doing anything you are also advised to read this chapter thoroughly.

Headlight beam adjusting device

The left-hand side of the instrument panel features two buttons (A and B) for adjusting the headlight beam according to the transported load. Buttons can be operated with ignition key at MAR and dipped beam headlights on. See paragraph "Headlights" in this section for further details.

Digital display (where provided)

Trip button

To show on the display: total and trip km/miles.

Press briefly: to switch between total and trip km/miles.

Press for over 2 seconds: to reset trip km/miles.

h button

Set clock.

Multifunction display (where provided)

+/- button

Button +: set clock (to increase minutes)

Button – : set clock (to decrease minutes)

Reconfigurable multifunction display (where provided)

+/- buttons

To scroll the menu and the related options upwards/downwards or to increase/decrease the value displayed, to adjust, with sidelights turned on, the dimmer and the instrument panel and automatic two-zone climate control system (where provided) display/index (if pressed with “Set-up menu” off).

MODE button

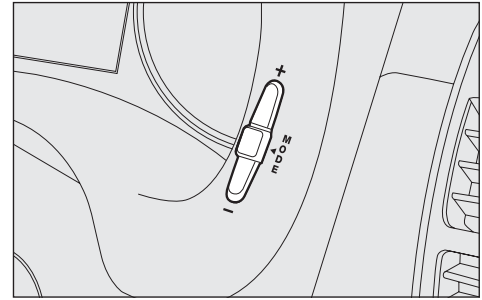
Press for less than 2 seconds (pulse) indicated with **MODE 1** in the following diagrams, to confirm the option required and/or move to the main menu (same option), or access the menu.

Press for over 2 seconds, indicated with **MODE 2** in the following diagrams, to exit the set-up menu without confirming the selections being set.

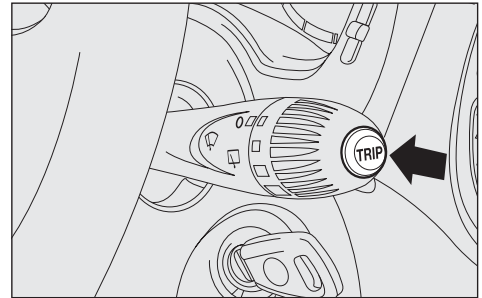
TRIP button (for multifunction display and reconfigurable multifunction display)

Press for less than 1 second (pulse) indicated with **TRIP 1** in the following diagrams, to scroll the Trip computer display.

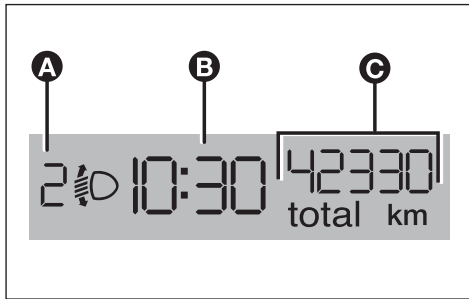
Press for more than 2 seconds indicated with **TRIP 2** in the following diagrams, to reset the Trip computer and start a new mission.



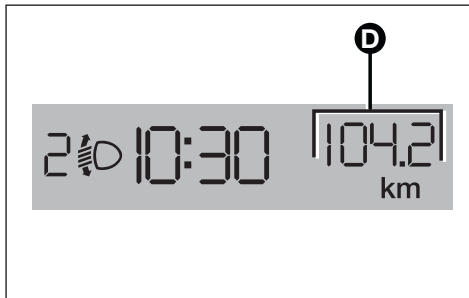
F010242m



F010043m



FOI0209m



FOI0210m



FOI0222m

DIGITAL DISPLAY (where provided)

DISPLAY INFO

- Headlight aiming position display (only with dipped beams on) (A)
- Clock (B) (always displayed, also with key removed and front doors closed).
- Total (C) and partial (D) odometer.

With ignition key removed, when opening one of the front doors the display comes on showing the clock and the odometer indication.

If the "Follow me home" function is on (see paragraph "Follow me home" in this section), the display will show the time the function is on instead of the mileage recorder indication (see figure).

Warning light check function

The instrument panel performs a check on the following warning lights:

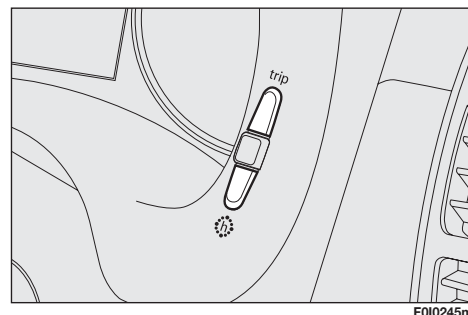
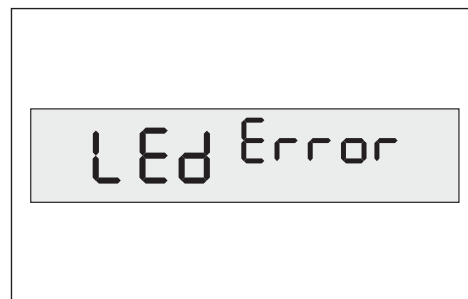
- handbrake on/low brake fluid level;
- ABS and EBD system;
- ESP system on/failure;
- “Dualdrive” (where provided) electric power steering failure.

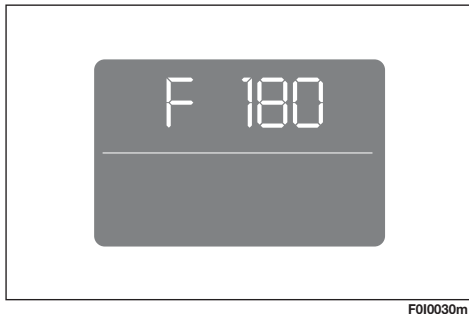
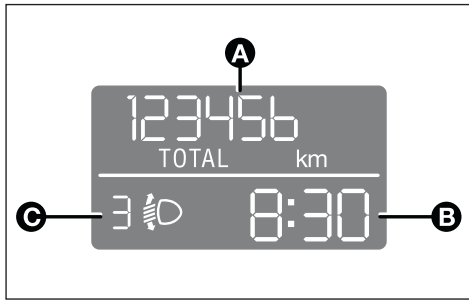
Warning light check is performed automatically when turning the ignition key to MAR and during normal operation if a failure is detected.

When the initial check is over, the message LEd Error will flash on the display for about 10 seconds to warn the driver that a failure has been detected (on one or more warning lights).

SET CLOCK

Press button h. Each pulse on the button will obtain increase by one unit. Automatic fast increase is obtained by keeping the button pressed for few seconds. When you are near the required value, release the button and complete adjustment with single presses.





MULTIFUNCTION DISPLAY (where provided)

The “Multifunction display” shows all the useful information necessary when driving, more particularly:

INFORMATION ON STANDARD SCREEN

- Total odometer (A).
- Clock (B).

With ignition key removed and front doors closed the display is off.


With ignition key removed, when opening one of the front doors the display comes on showing the clock and the odometer indication.

If the “Follow me home” function is on (see paragraph “Follow me home” in this section), the display will show the time the function is on instead of the mileage recorder indication (see figure).

INFORMATION ABOUT CAR CONDITIONS (at event)

- Trip computer information.
- Headlight aiming position display (with dipped beam headlights on) (C).



TRIP COMPUTER

Pressing button , the “Trip computer” function gives is displayed, information relating to the operating status of the car. This function is resettable.

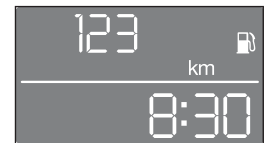
Values displayed are: Range to empty, Distance travelled, Average consumption, Instant consumption, Average speed, Trip time (driving time). Value selected will be displayed until a new information is requested.

(*) When the Instant consumption value is displayed, the word TRIP will not be displayed.

Start of journey procedure (reset)

To start a new journey, with the key to MAR, press button  with mode  (see paragraph “Control buttons”).

IMPORTANT “Range to empty” information cannot be reset.



Range to empty F010164m



Distance travelled F010165m



Average/instant consumption (*) F010166m



Average speed F010167m



Trip time F010168m

DASHBOARD AND CONTROLS

SAFETY DEVICES

CORRECT USE OF THE CAR

WARNING LIGHTS AND MESSAGES

IN AN EMERGENCY

CAR MAINTENANCE

TECHNICAL SPECIFICATIONS

INDEX

Range to empty = shows the distance in km (or miles) that the car can still cover before needing fuel, assuming that driving conditions are kept unvaried. The display will show “- - -” in the following cases:

- range lower than 50 km;
- car parked with engine running for long time; when restarting range indication will be displayed again

Distance travelled = shows the km (or miles) covered from the start of the new mission (*).

Average consumption = shows the average consumption calculated from the start of the new mission (*); this value can be expressed in km/l or l/100 km or in mpg.

Instant consumption = shows fuel consumption variation, this value is updated constantly. If the car is parked with engine running the display will show “- - -”. When restarting the car, the instant consumption indication will be displayed again.

Average speed = shows the average speed of the car in relation with total time elapsed from the start of the new mission (*).

Trip time = time elapsed from the start of the new mission (*).

(* **New mission** = starts from last reset:

- “manual” reset is performed by the driver by pressing the relevant button (see paragraph “Control buttons”)
- “automatic” reset is performed when the Distance travelled reaches 3999.9 km or when Trip Time reaches 99:59 (99 hours and 59 minutes)
- after reconnecting the battery.

IMPORTANT Lacking information, Trip computer values are displayed with “- - -”. When restoring normal operating conditions after a failure, calculation will restart regularly without resetting either previous displayed values or the start of a new mission (*).

IMPORTANT After disconnecting/reconnecting the battery, certain displayed values will be equal to “- - -” until significant data for recalculation are available.

WARNING LIGHT CHECK FUNCTION

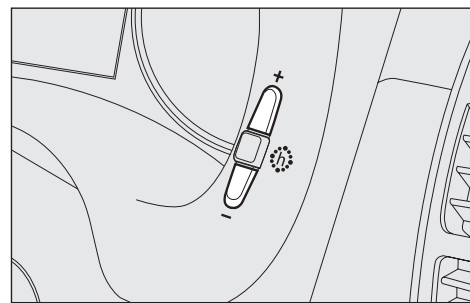
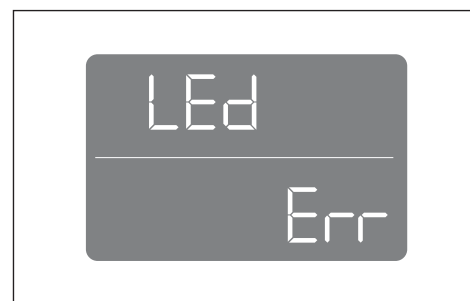
The instrument panel performs a check on the following warning lights:

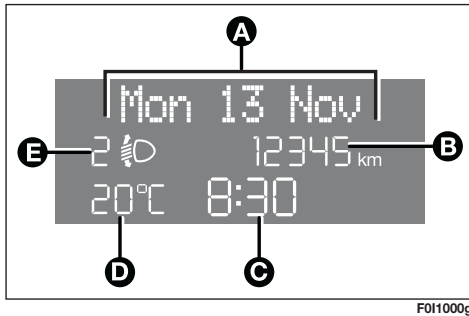
- handbrake on/low brake fluid level;
- ABS and EBD system;
- ESP system on/failure;
- “Dualdrive” (where required) electric power steering failure.

Warning light check is performed automatically when turning the ignition key to MAR and during normal operation if a failure is detected. When the initial check is over, the message LEd Err will flash on the display for about 10 seconds to warn the driver that a failure has been detected (on one or more warning lights).

SET CLOCK

To adjust the time, press button (+) to increase minutes, button (-) to decrease minutes. Every press on the button increases or decreases by one unit. Keeping the corresponding button pressed obtains automatic fast increase or decrease. When you are near the required value, release the button and complete adjustment with single presses.





FOI1000g



FOI1001g

RECONFIGURABLE MULTIFUNCTION DISPLAY (where provided)

The “Multifunction display” shows all the useful information necessary when driving, more particularly:

INFORMATION ON STANDARD SCREEN

- Date (A).
- Total odometer (B).
- Clock (C).
- External temperature (D).
- Speedgear or Dualogic info display (where provided) (F).

With ignition key removed and front doors closed the display is off.

With ignition key removed, when opening one of the front doors the display comes on showing the clock and the odometer indication.

If the “Follow me home” function is on (see paragraph “Follow me home” in this section), the display will show the time the function is on (see section “Warning lights and messages”).

INFORMATION ABOUT CAR CONDITIONS (at event)

- Scheduled maintenance programme intervals.
- Trip computer information.
- Light adjustment of graphics/index/instrument cluster display and two-zone climate control system (where provided).
- Display of failure/warning/function activation messages.

Headlight aiming position display (with dipped beam headlights on) (E).

Repetition of audio info.

There is also a menu enabling to perform the following adjustments and/or settings using the control buttons (see previous pages):

SET-UP MENU

The number of items in the menu depends on the car settings.

When travelling, only the “Speed limit” indication is enabled.

The “Set-up Menu” enables to perform the following adjustments and/or settings using the control buttons (see previous pages):

SPEED LIMIT

TRIP B ON/OFF

SET CLOCK

CLOCK MODE

SET DATE

AUDIO REPETITION (where provided) (●)

SPEEDLOCK (where provided)

DISTANCE UNIT

CONSUMPTION UNIT

TEMPERATURE UNIT

LANGUAGE

BUZZER VOLUME

BUTTON VOLUME

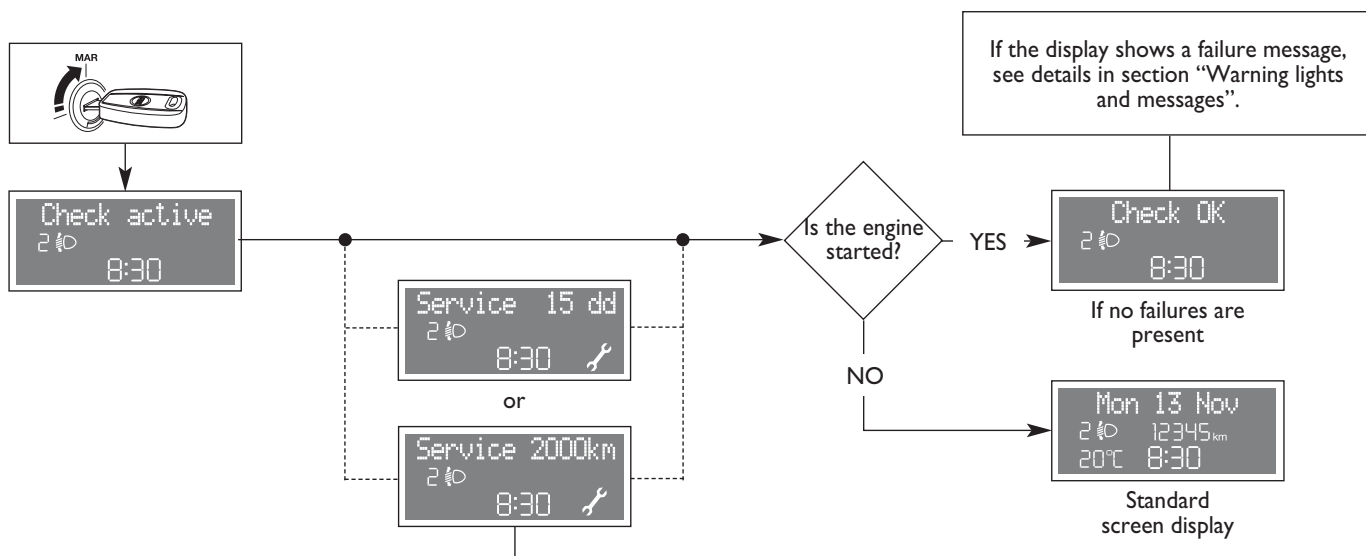
SERVICE

EXIT MENU

(●) “Audio Rpt.” menu item is present only if the car is fitted, as standard, with sound system.

INITIAL CHECK

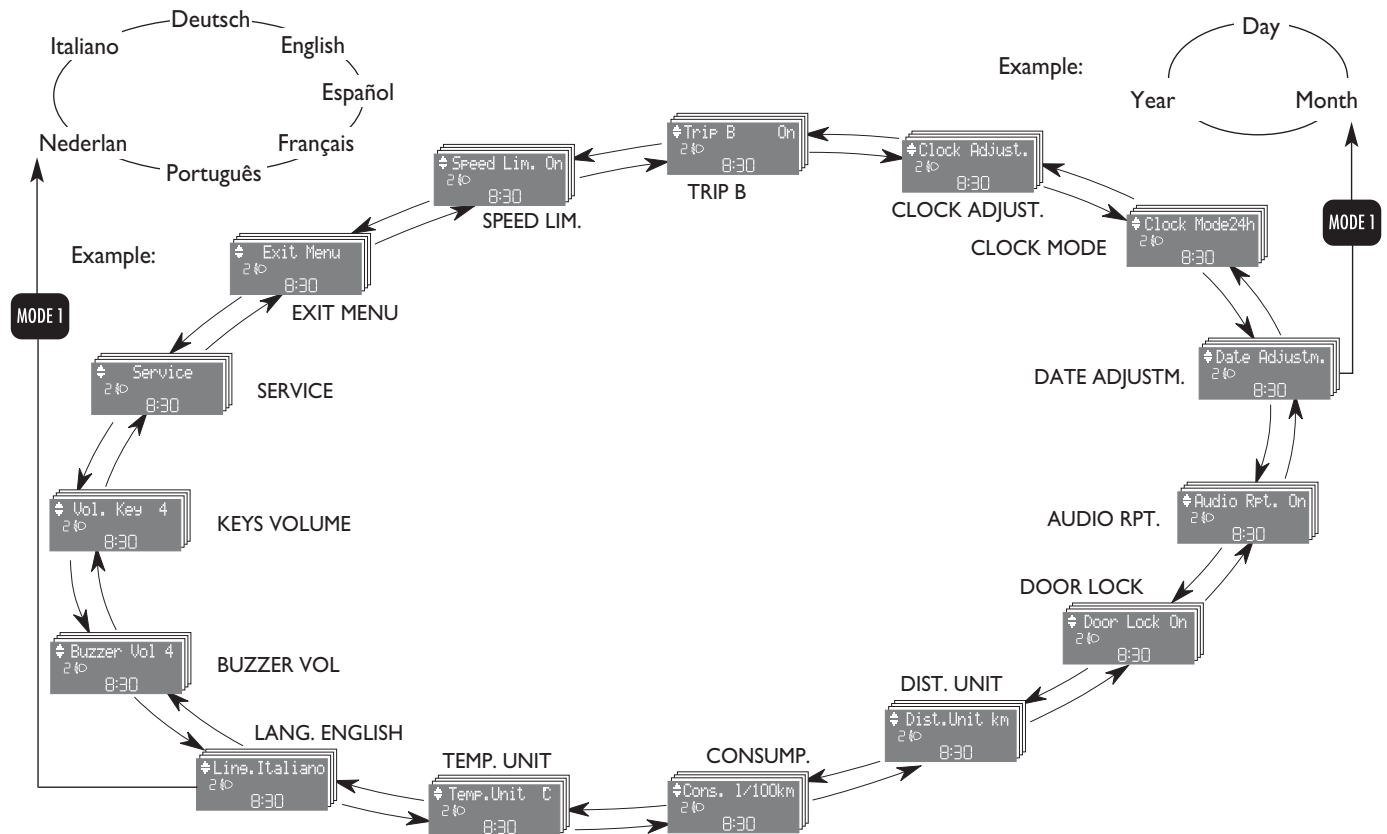
Turning the ignition key to MAR, the multifunction display shows the message “Check active”: the diagnostic phase of all the electronic systems on the car has started. This lasts few seconds: if no faults are detected, when the engine has started, the display shows the “Check OK” message. See section “Warning lights and messages” if faults are found.



The “Service schedule” includes vehicle maintenance every 20,000 km (or 12,000 mi) or every year; this is shown automatically, with the ignition key at MAR, starting from 2,000 km (or 1,240 miles) or 30 days from this deadline and it is shown again every 200 km (or 124 mi) or 3 days. For 1.3 Multijet versions, see “Care and Maintenance” in section “Service schedule to change engine oil and filter and air cleaner. Below 200 km service indications are proposed at shorter intervals. Below 200 km service indications are proposed at shorter intervals. Service intervals will be displayed in km or mi according to the unit set. When a programmed maintenance interval (coupon) is near to come, turning the ignition key to MAR, will display the message “Service” followed by the number of km, or days to go before car servicing. “Scheduled servicing” message is displayed in km, miles or days according to the approaching service interval. Contact a Fiat Dealership to carry out any service operation provided by the “Service schedule” or “Annual inspection plan”, and to reset the display.

MENU DESCRIPTION

The menu comprises a series of functions arranged in a “circular fashion” which can be selected through buttons + and - for access to the different select operations and settings (see examples “Lang.” and “Date adjustm.” below); for further details, also refer to “Access to menu screen” on next page.



ACCESS TO MENU SCREEN

After the “Initial check”, it is possible to access the menu screen pressing the button **MODE 1**.

To surf the menu press buttons + or –.

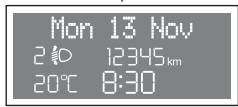
IMPORTANT If after entering the menu no setting/adjustment is performed within 60 seconds, the system exits the menu automatically and returns to previously displayed screen. In this case the last selected but not confirmed setting (through button **MODE 1**) is not stored and therefore the operation shall be repeated (this stands valid also when quitting the Menu by pressing the **MODE 2** button).

When the car is running, it is possible to access only the reduced menu (for setting “Speed limit”).

When the car is stationary access to the whole menu is enabled.

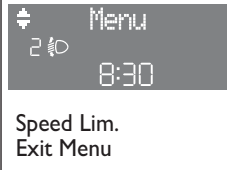
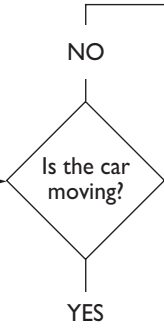
The following diagram shows the cases described.

See
"Initial check"

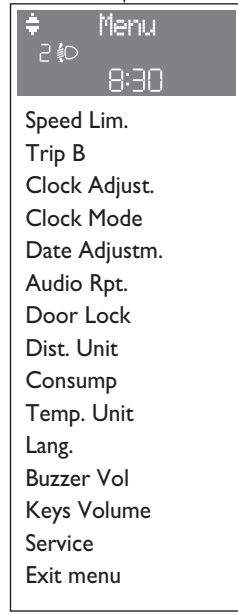


Example of standard screen

MODE 1



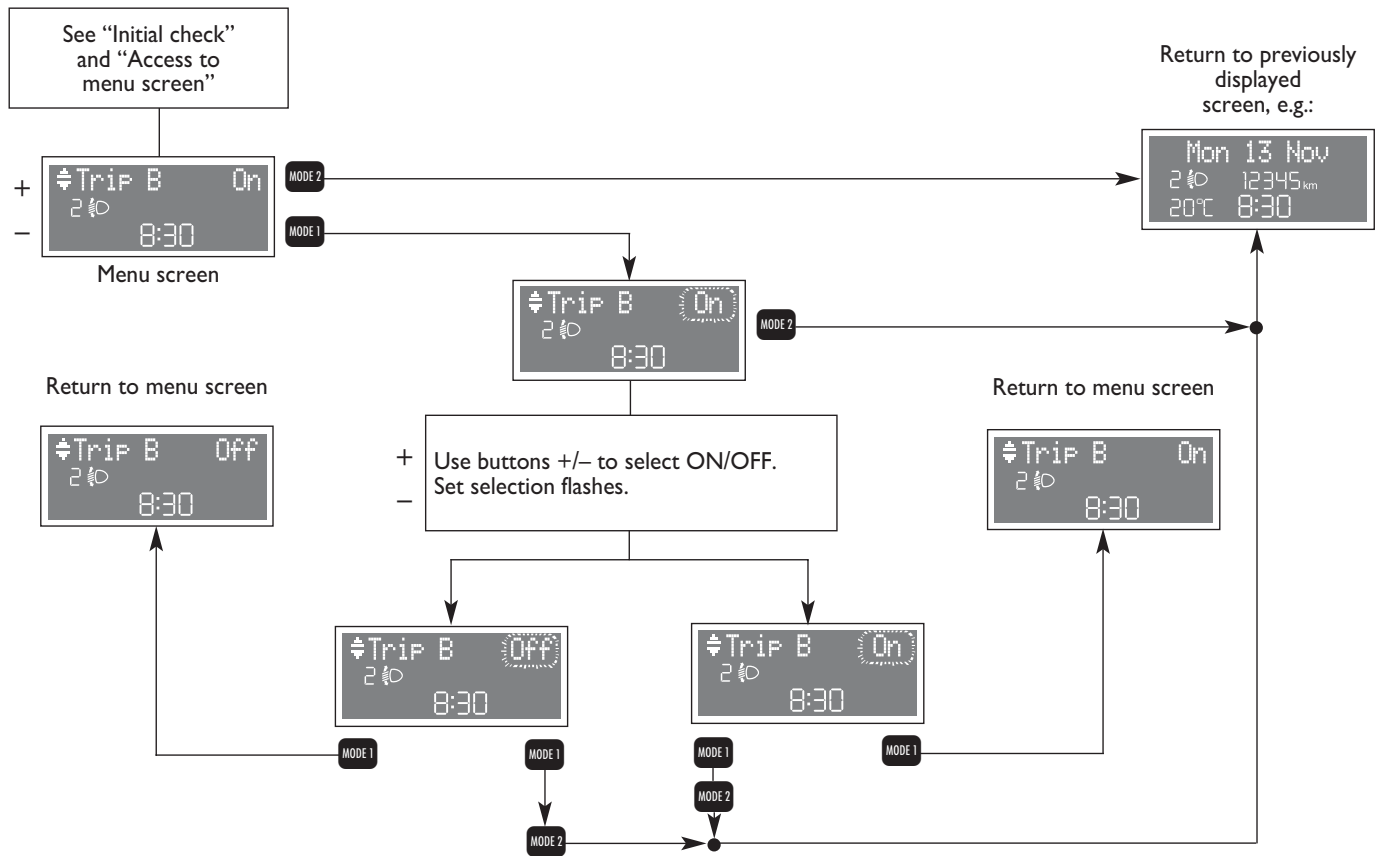
Reduced menu screen



Extended menu screen

TRIP B ON/OFF (Trip B)

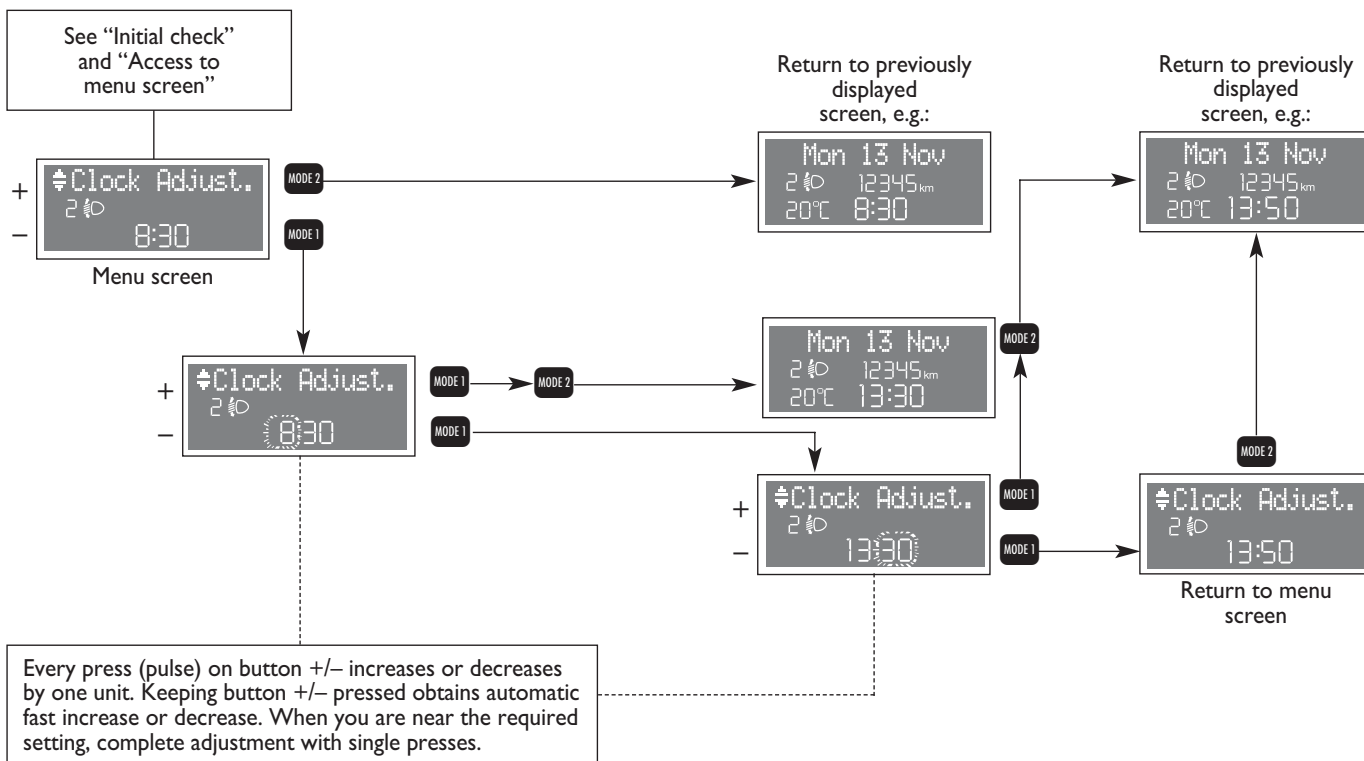
Through this option it is possible to activate (ON) or deactivate (OFF) the Trip B (partial trip) which show “partial mission” information corresponding to: Trip Dist. B, Avg. Consump. B, Avg. Speed B, Time B. For further information see “General trip - Trip B”.



SET CLOCK (Clock Adjust.)

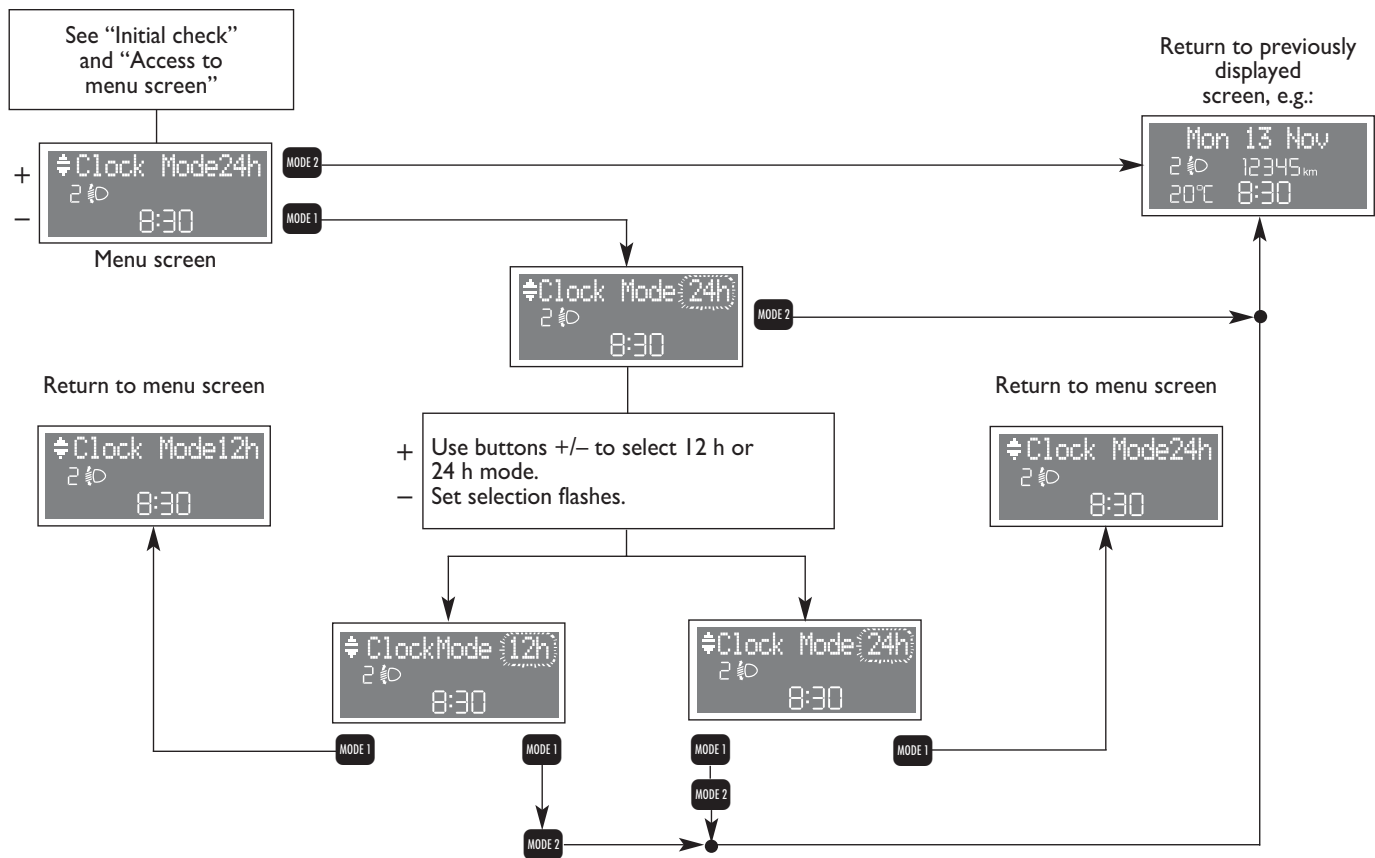
During setting, the clock is displayed in 24h mode regardless of the set clock mode (12h/24h).

To set the clock (hours - minutes) proceed as follows:



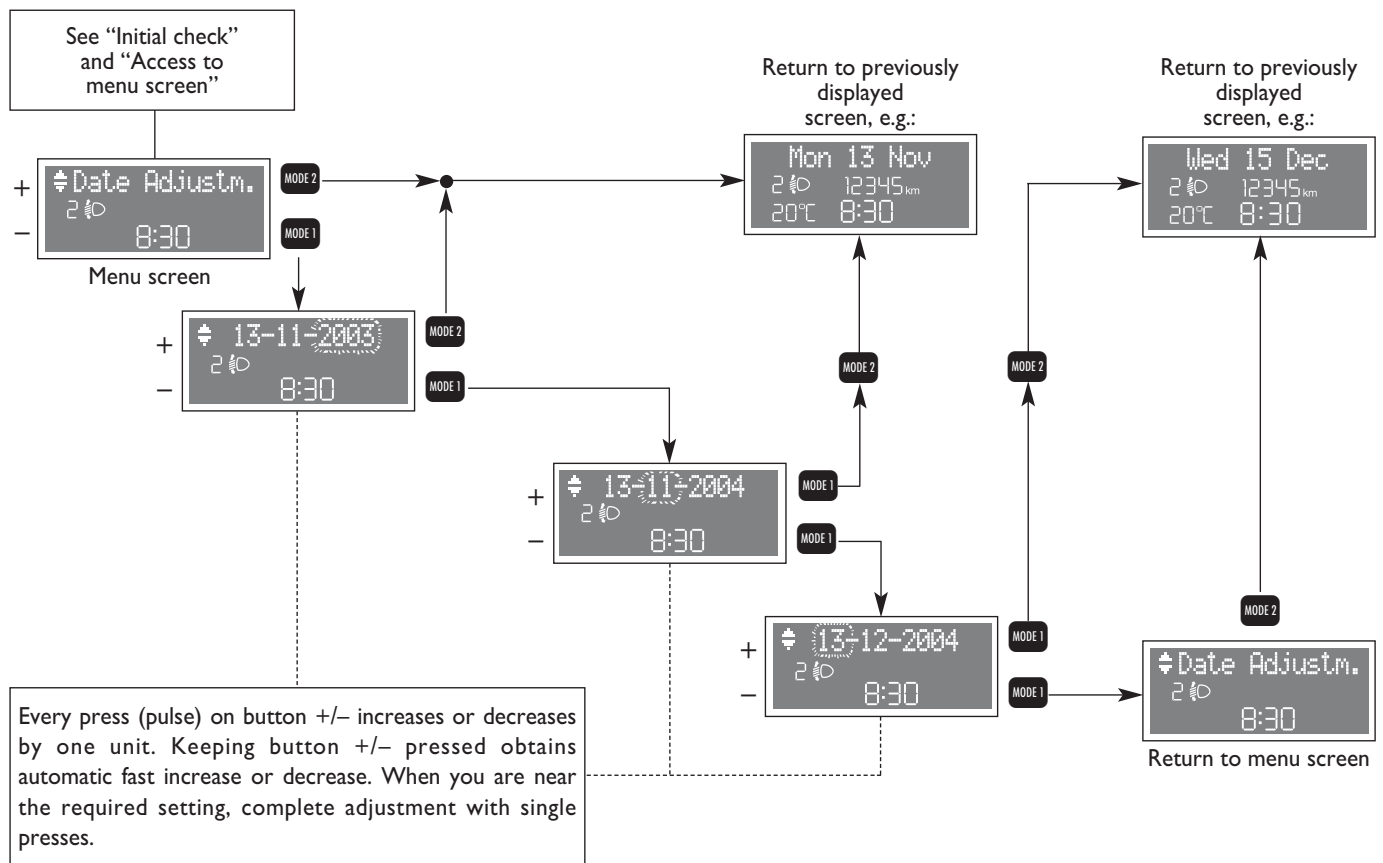
CLOCK MODE (Clock Mode)

This function is used to set the clock in the 12h (12 hour) or 24h (24 hour) mode. To adjust proceed as follows:



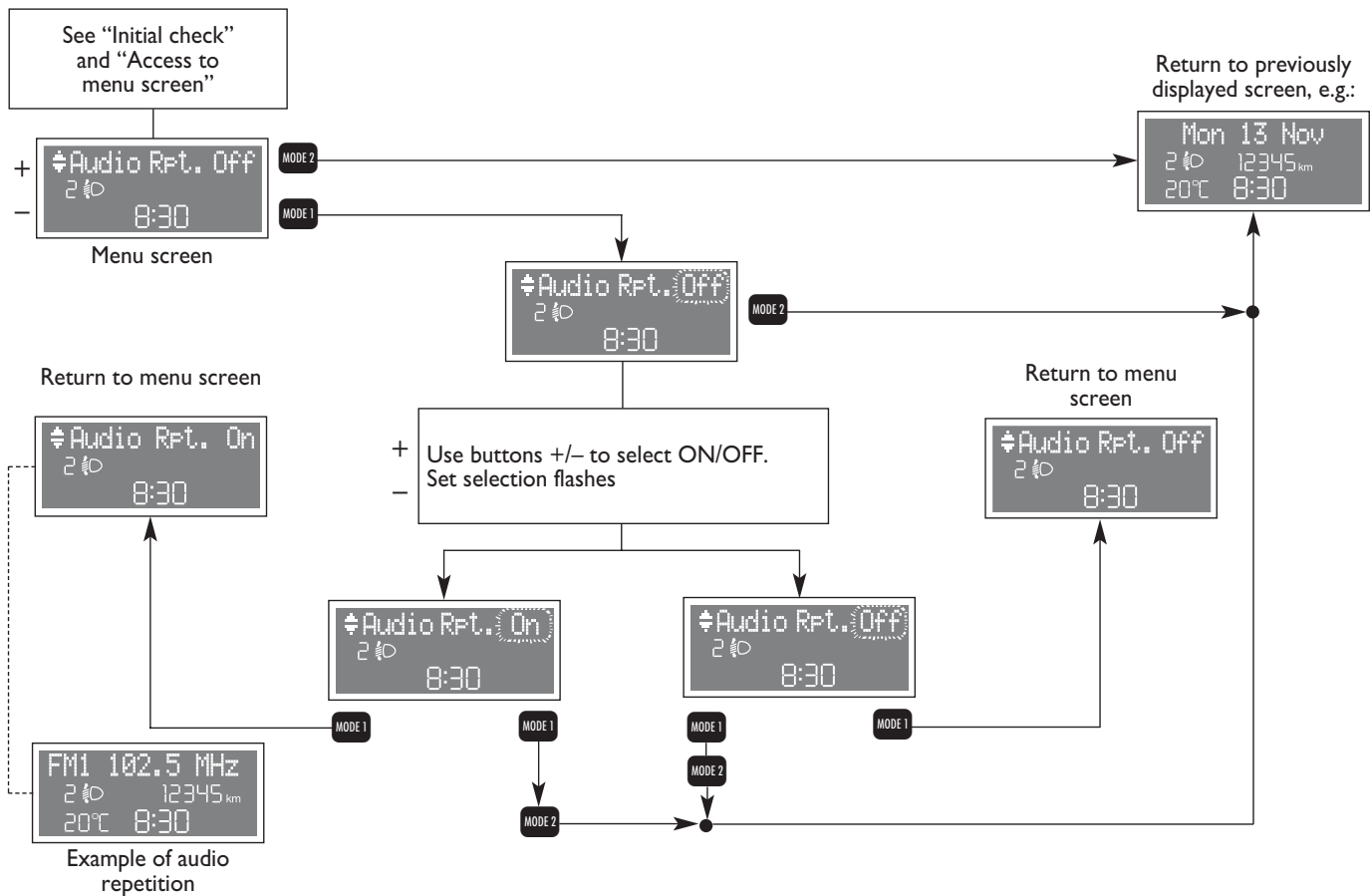
SET DATE (Date Adjustm.)

To correct the date (year - month - day) proceed as follows:



AUDIO REPETITION (Audio Rpt.) (where provided)

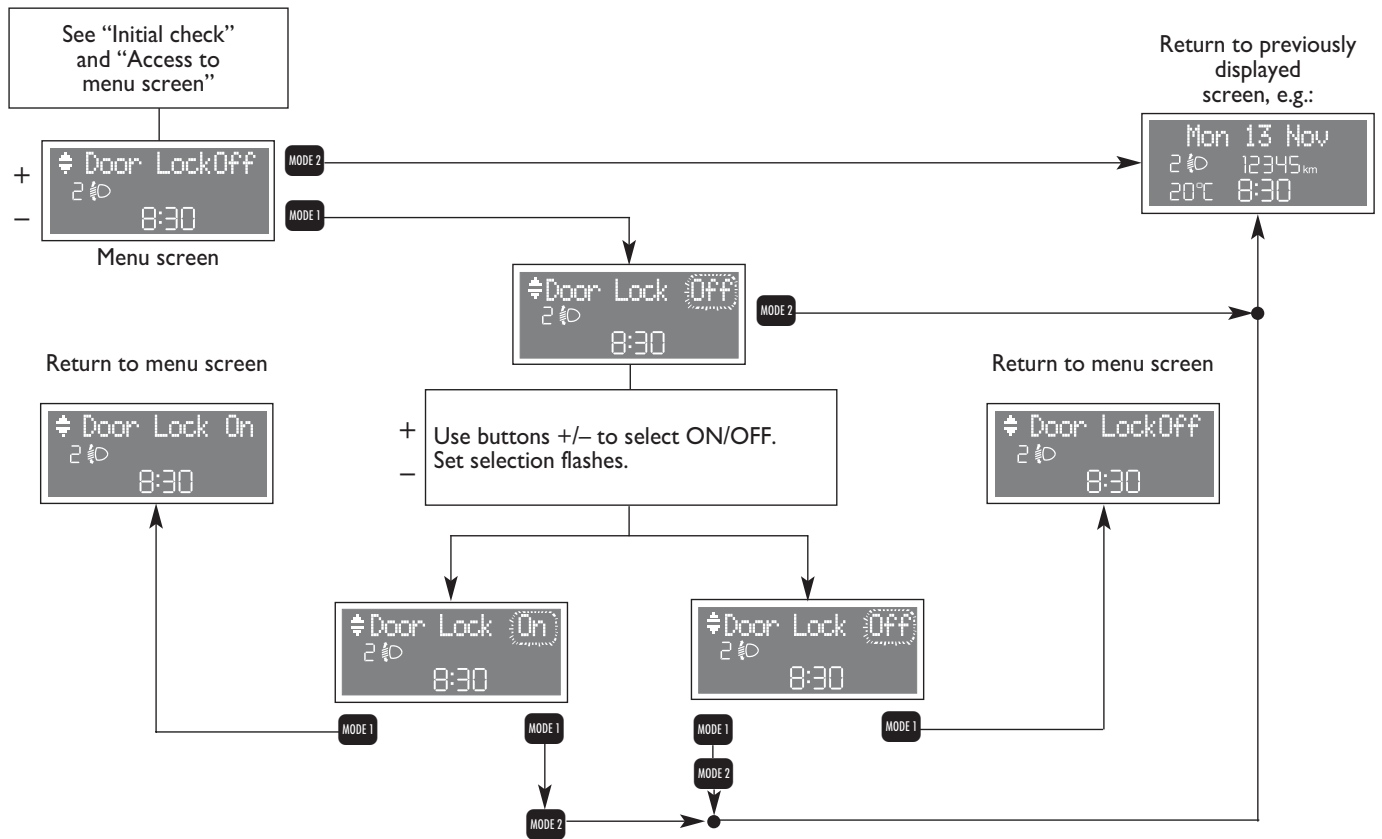
With this function the display repeats information relevant to the Radio (selected radio station frequency or RDS message, automatic tuning or AutoStore), audio CD (track number), MP3 CD (track number), CD Changer (CD number and track), and Tape (operating mode).



SPEEDLOCK (Door Lock) (where provided)

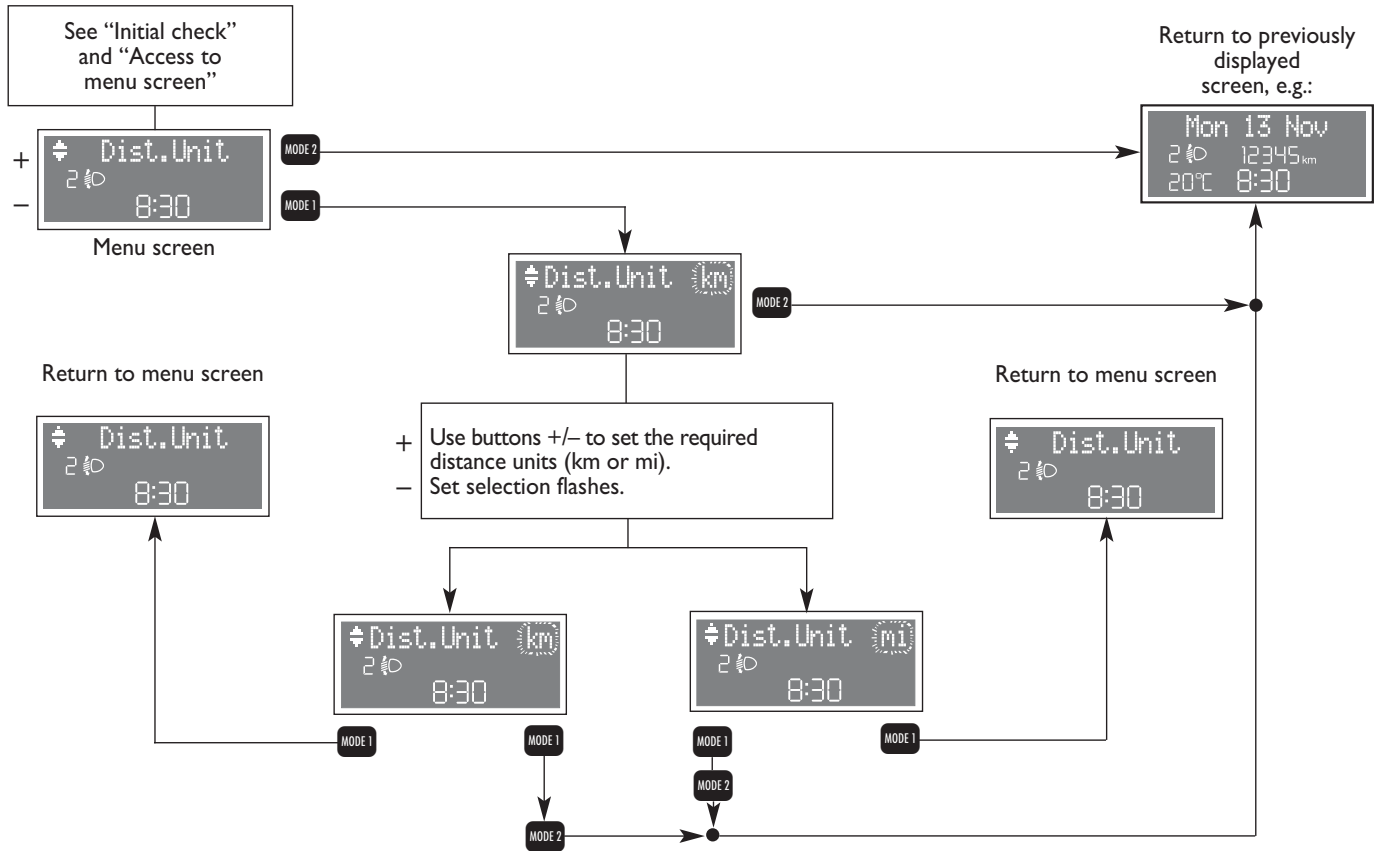
This function:

- when activated (ON) locks automatically the doors when the car speed exceeds 20 km/h;
- when deactivated (OFF) doesn't perform automatic door lock when the car speed exceeds 20 km/h



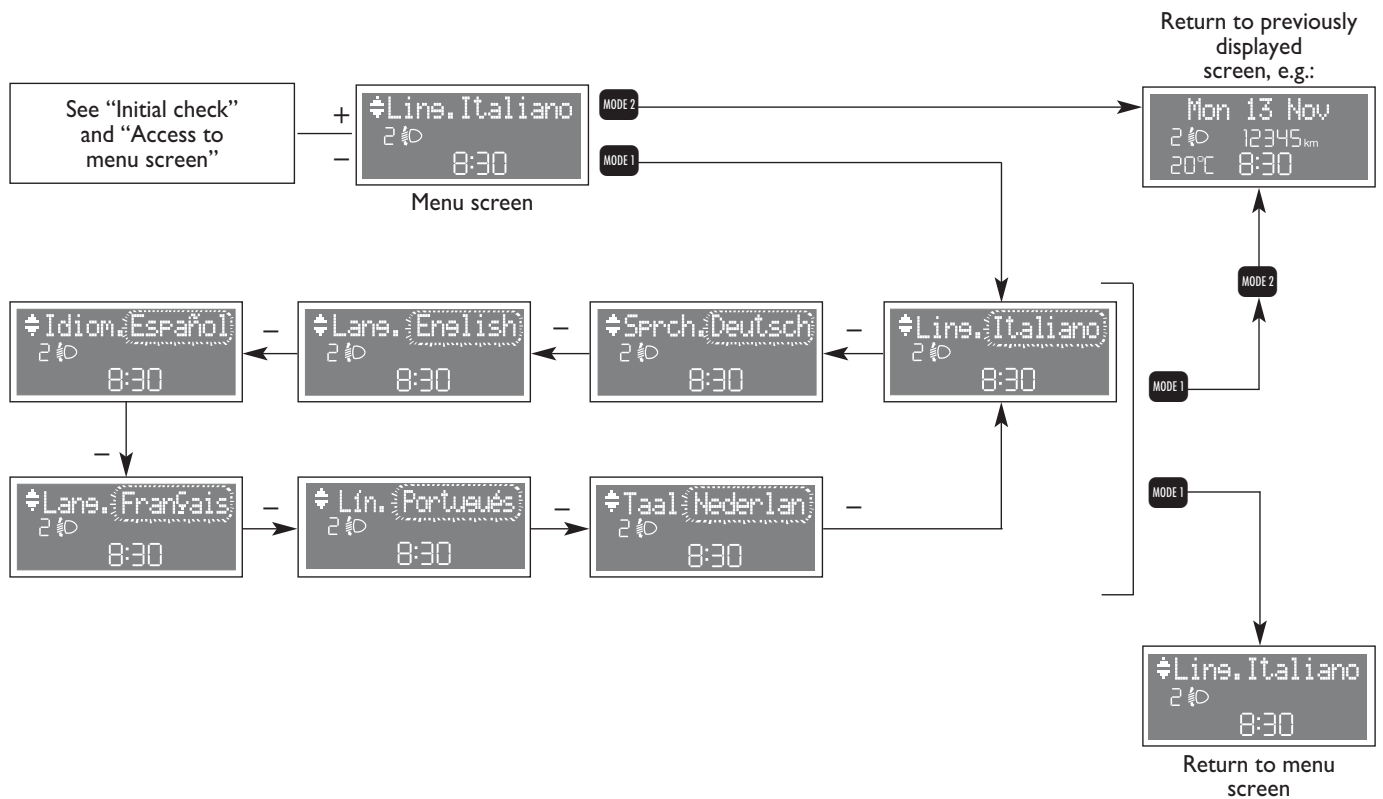
“DISTANCE UNIT” (Dist. Unit)

The display gives information according to the set unit (km or mi). To select the required distance units, proceed as follows:



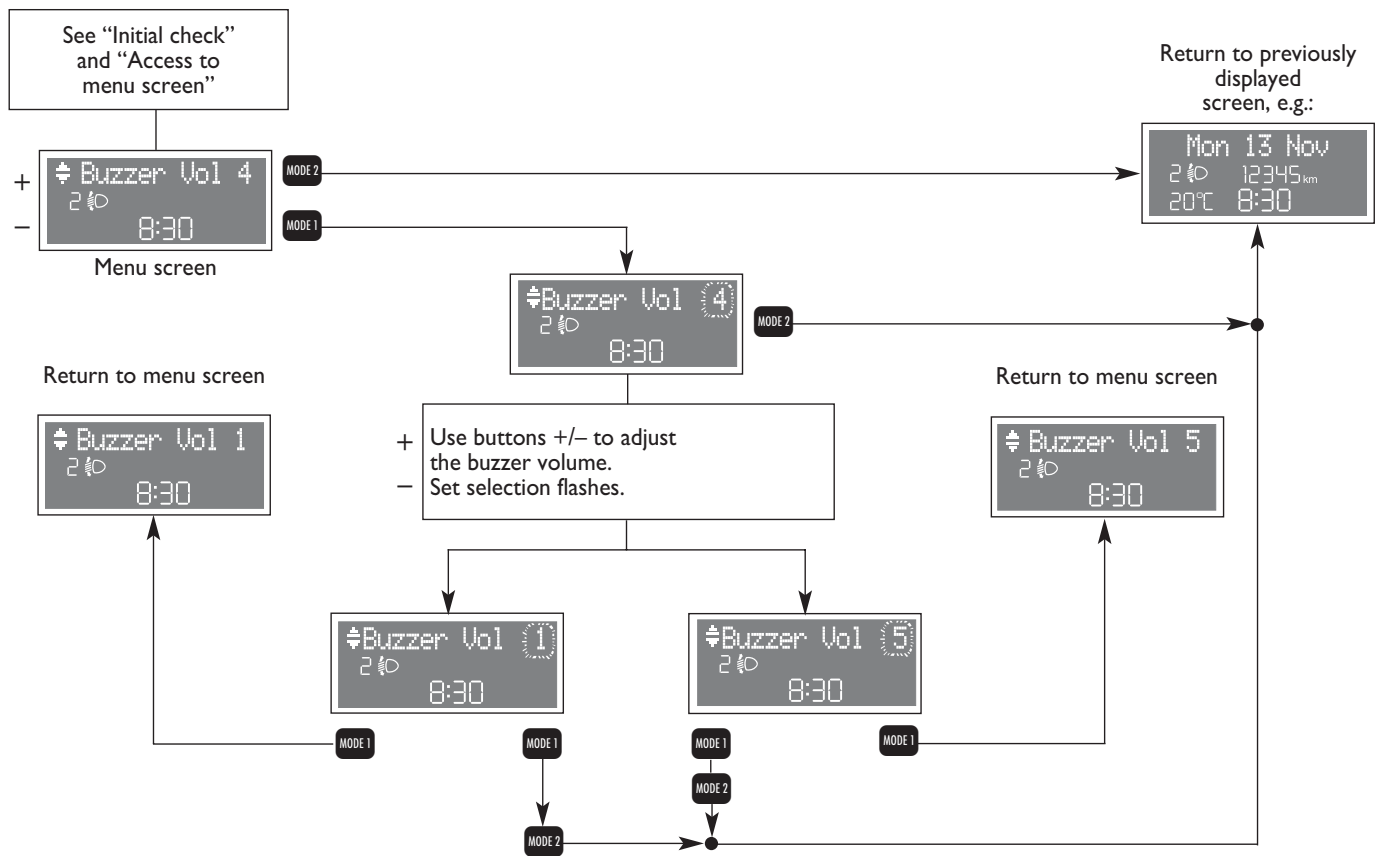
LANGUAGE (Lang.)

Display messages can be shown in different languages (Italian, Dutch, English, Spanish, French, Portuguese, German). To select the required language proceed as follows:



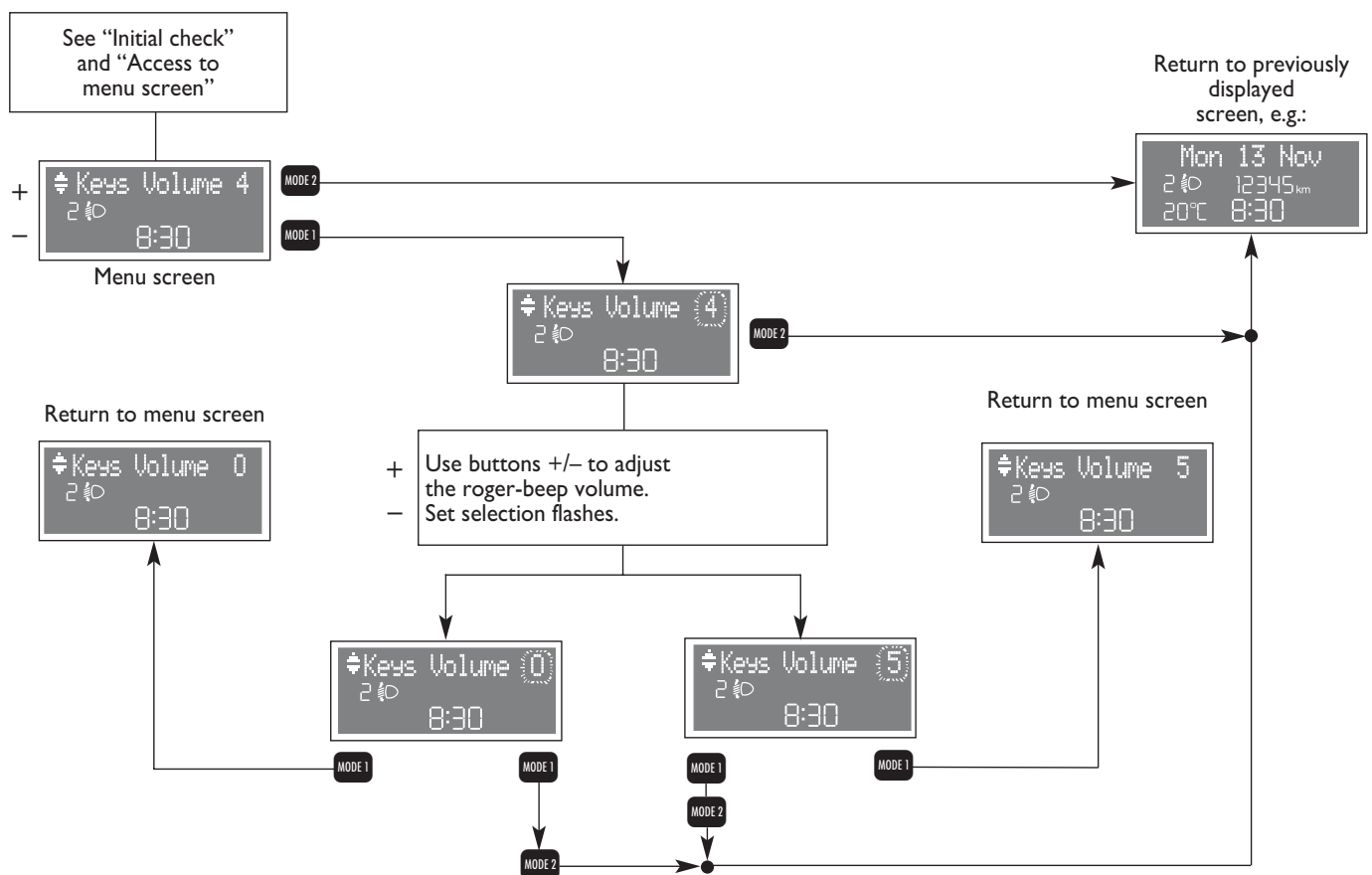
BUZZER VOLUME (Buzzer Vol)

The volume of the buzzer accompanying any failure/warning indication can be adjusted according to 8 levels. The buzzer can be adjusted and, in certain cases, it cannot be excluded. To adjust the volume proceed as follows:



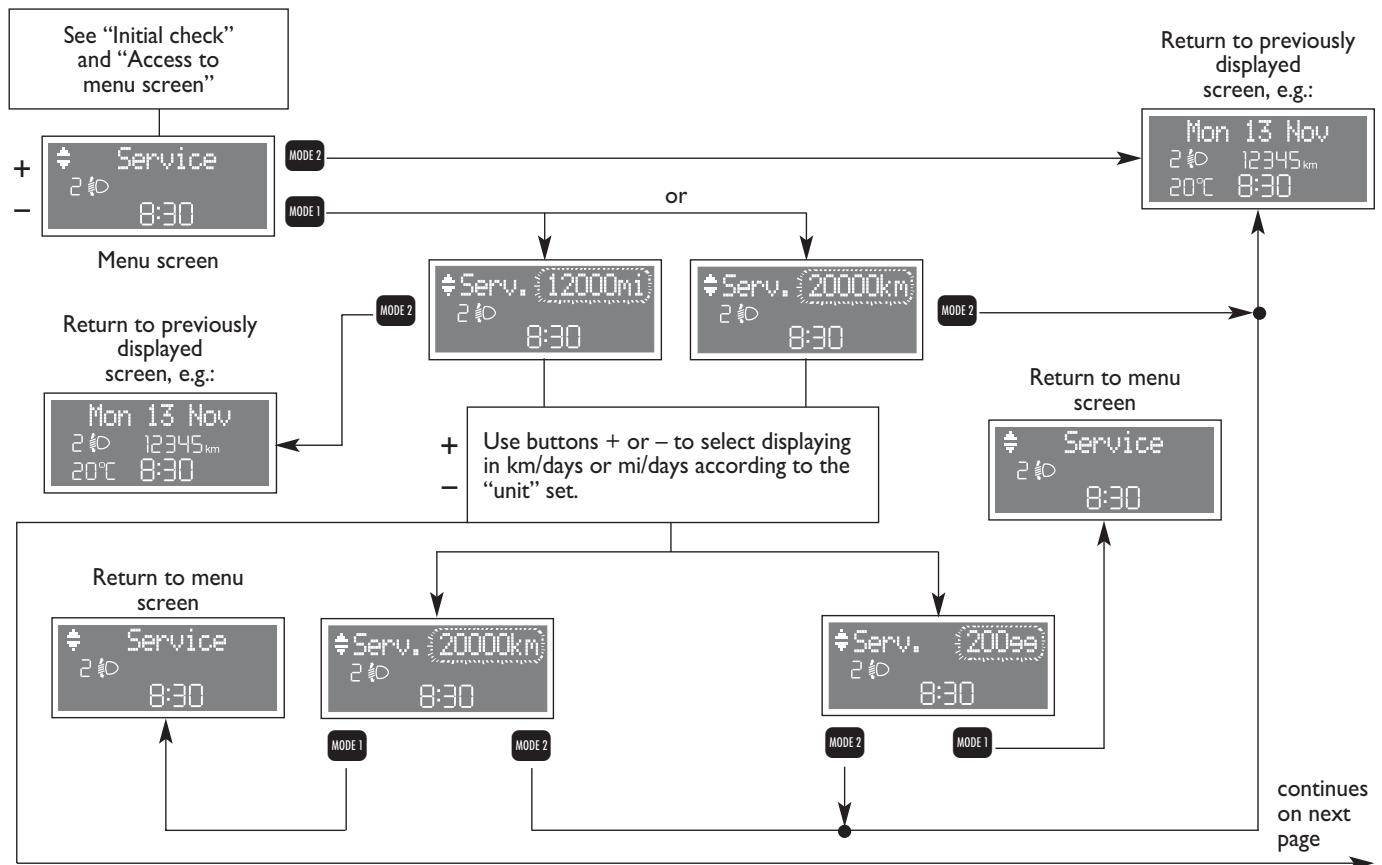
BUTTON VOLUME (Keys Volume)

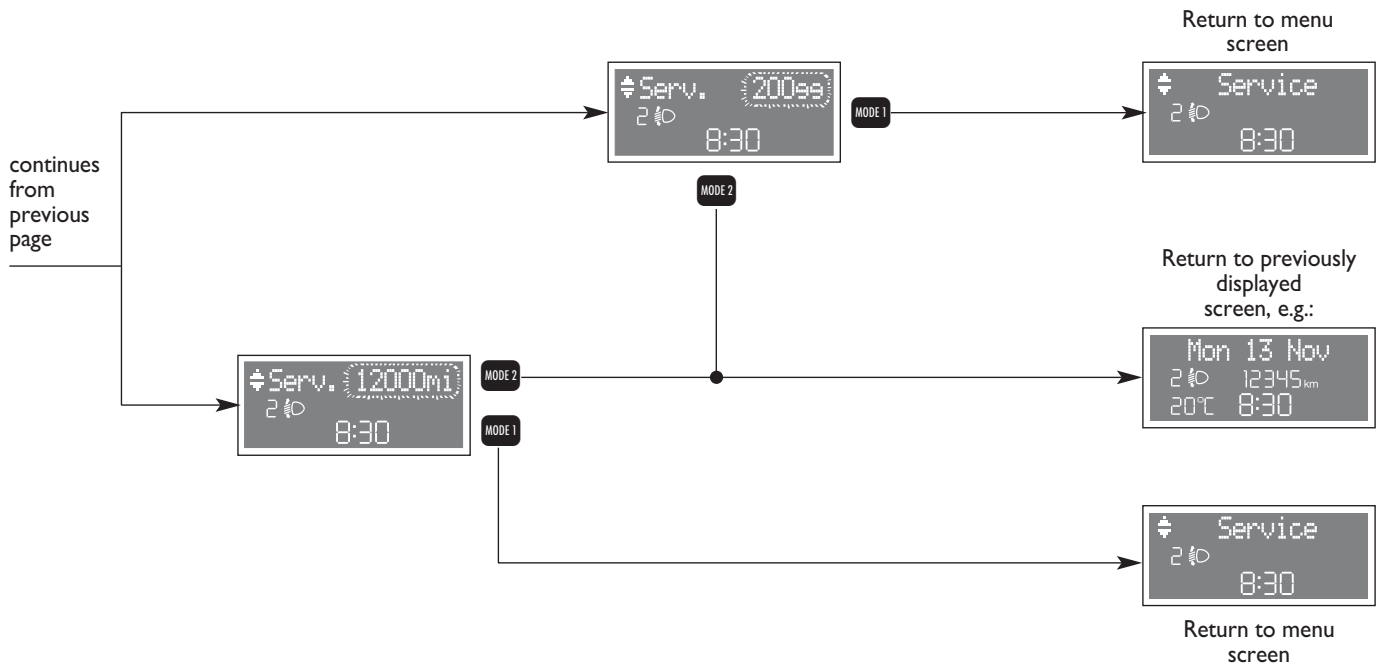
The volume of the roger-beep accompanying the activation of certain buttons can be adjusted according to 8 levels. The roger-beep can be adjusted and excluded. To adjust the volume proceed as follows:



SERVICE (Service)

Through the "Service" function it is possible to receive information connected with correct vehicle maintenance.

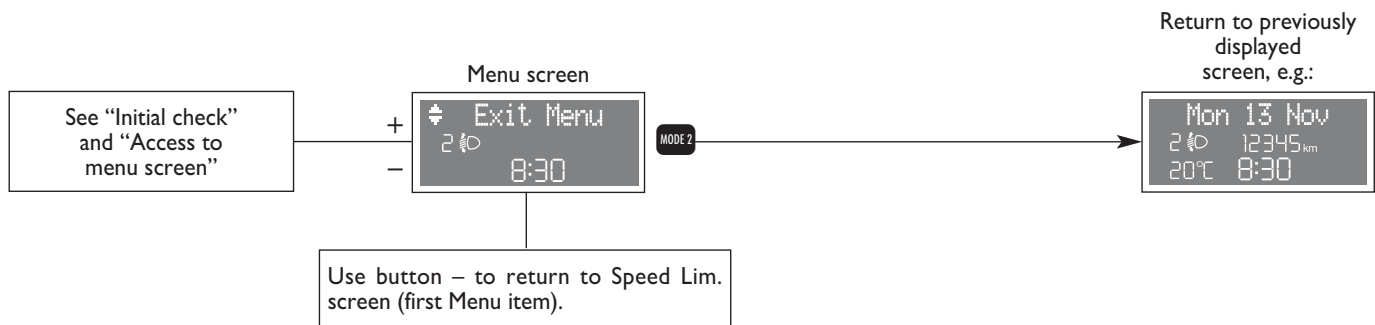




The "Service schedule" includes vehicle maintenance every 20,000 km (or 12,000 mi) or every year; this is shown automatically, with the ignition key at MAR, starting from 2,000 km (or 1,240 miles) or 30 days from this deadline and it is shown again every 200 km (or 124 mi) or 3 days. For 1.3 Multijet versions, see "Car Maintenance" in section "Service schedule to change engine oil and filter and air cleaner. Below 200 km service indications are proposed at shorter intervals. Service intervals will be displayed in km or mi according to the unit set. When a programmed maintenance interval (coupon) is near to come, turning the ignition key to MAR, will display the message "Service" followed by the number of km, or days to go before car servicing. "Scheduled servicing" message is displayed in km, miles or days according to the approaching service interval. Contact a Fiat Dealership to carry out any service operation provided by the "Service schedule" or "Annual inspection plan", and to reset the display.

EXIT MENU (Exit Menu)

This is the last function that closes the circular setting cycle listed in the initial menu screen.





TRIP COMPUTER

The “Trip computer” displays information relating to the operating status of the car. This function comprises the “General trip”, concerning the complete mission of the car and “Trip B”, concerning the partial car mission. This function (as shown in the graph below) is contained within the complete mission. Both functions are resettable.

The “General trip” displays the figures relating to Range, Distance, Aver. Consumpt., Curr. consumpt., Avg. speed, Traveltime. “Trip B” displays information concerning Distance B, Aver. Consump. B, Avg. speed B, Traveltime B (driving time). The “Trip B” function can be excluded. Value selected will be displayed until new information is requested.

Start of journey procedure (reset)

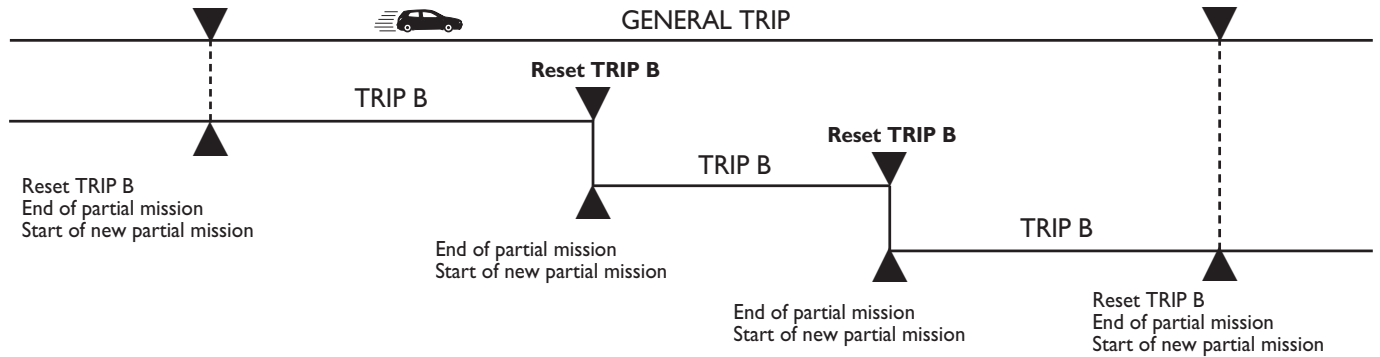
To start a new journey monitored by the “General trip”, with the key to MAR, press button  on right steering column stalk with mode  (see “Control buttons”).

Reset General Trip

End of complete mission - Start of new mission

Reset GENERAL TRIP

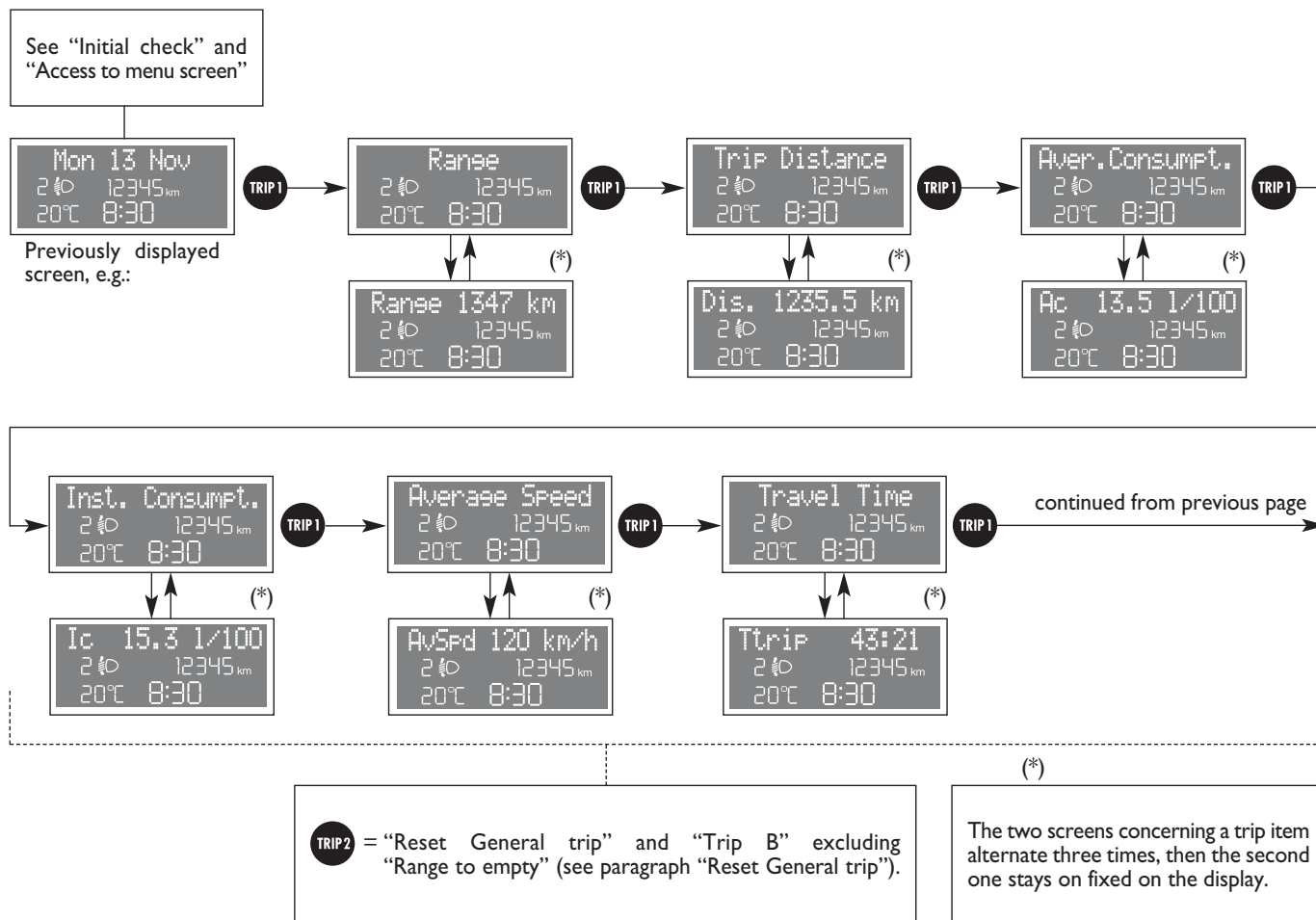
End of complete mission - Start of new mission

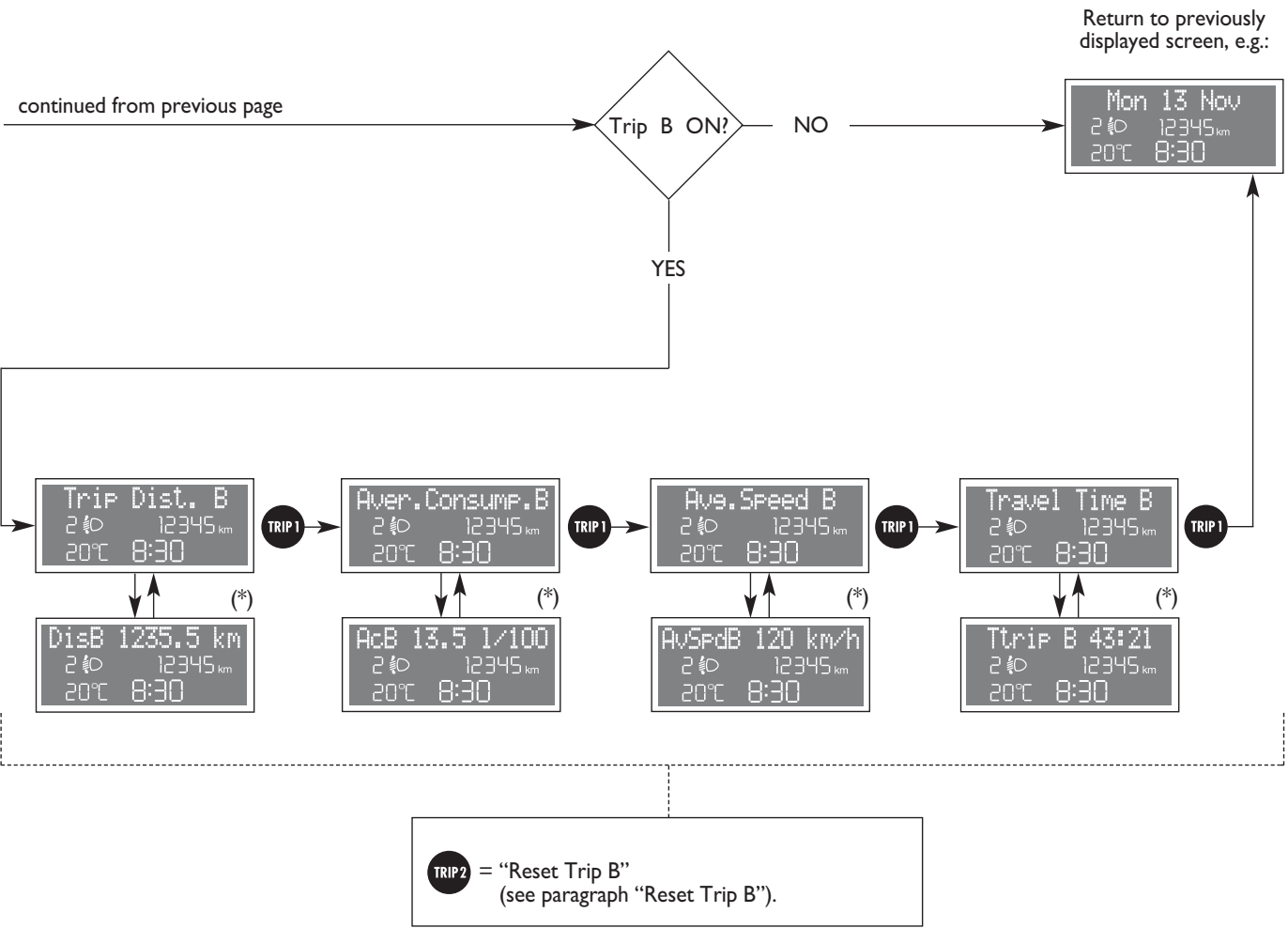


The reset operation in the presence of the screens concerning the “General trip” makes it possible to reset also the “Trip B”. The reset operation in the presence of the screens concerning only the “Trip B” makes it possible to reset only the information associated with this function.

IMPORTANT The “Range” information cannot be reset.

“Trip computer” information are displayed according to the following diagram:















After resetting "Trip" by pressing the button with  mode, the following functions are displayed:


Reset GENERAL TRIP


 = "Reset General trip" and "Trip B" (excluding "Range to empty").





Trip Reset
 12345 km
 20°C 8:30

Dis. 0.0 km  12345 km 20°C 8:30	Ac ---- 1/100  12345 km 20°C 8:30	AvSpd --- km/h  12345 km 20°C 8:30	Ttrip 0:00  12345 km 20°C 8:30	Ic ---- 1/100  12345 km 20°C 8:30
DisB 0.0 km  12345 km 20°C 8:30	Cmb ---- 1/100  12345 km 20°C 8:30	AvSpdB --- km/h  12345 km 20°C 8:30	Ttrip B 0:00  12345 km 20°C 8:30	

Reset TRIP B

 = "Reset Trip B"

Trip B Reset
 12345 km
 20°C 8:30

DisB 0.0 km  12345 km 20°C 8:30	Cmb ---- 1/100  12345 km 20°C 8:30	AvSpdB --- km/h  12345 km 20°C 8:30	Ttrip B 0:00  12345 km 20°C 8:30
--	---	--	---

Range to empty = shows the distance in km (or miles) that the car can still cover before needing fuel, assuming that driving conditions are kept unvaried. The display will show “- - -” in the following cases:

- range lower than 50 km. In this event “- - -” are preceded by message “Warning Limited Range” (this message will be displayed even if not in Trip Computer mode);
- car parked with engine running for long time; when restarting range indication will be displayed again.

Distance travelled = shows the km (or miles) covered from the start of the new mission (*).

Average consumption = shows the average consumption calculated from the start of the new mission (*); this value can be expressed in km/l or l/100 km or in mpg.

Instant consumption = shows fuel consumption variation, this value is updated constantly. If the car is parked with engine running the display will show “- - -”. When restarting the car, the instant consumption indication will be displayed again.

Average speed = shows the average speed of the car in relation with total time elapsed from the start of the new mission (*).

Trip time = time elapsed from the start of the new mission (*).

(* **New mission** = starts from last reset:

- “manual” reset is performed by the driver by pressing the relevant button (see paragraph “Control buttons”)
- “automatic” reset is performed when the Distance travelled reaches 9999.9 km or when Trip Time reaches 99:59 (99 hours and 59 minutes)
- after reconnecting the battery.

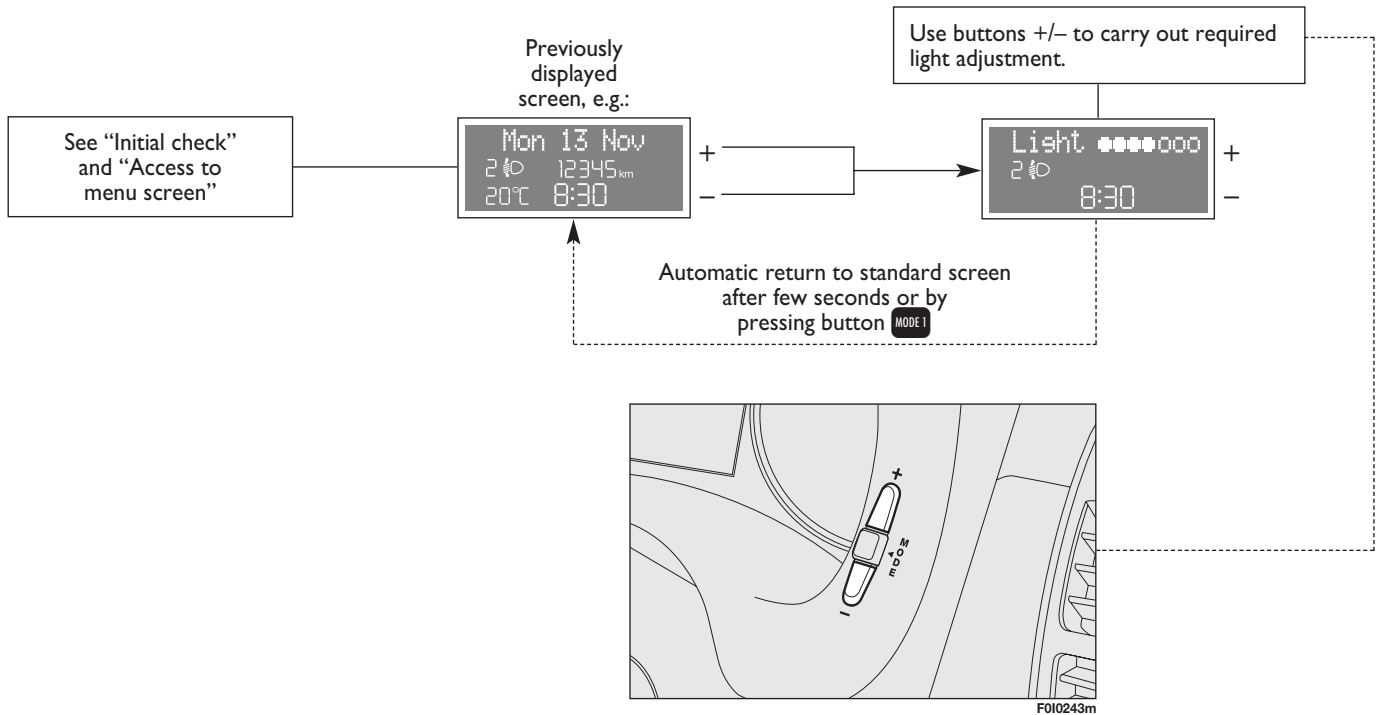
IMPORTANT Lacking information, Trip computer values are displayed with “- - -”. When restoring normal operating conditions after a failure, calculation will restart regularly without resetting either previous displayed values or the start of a new mission (*).

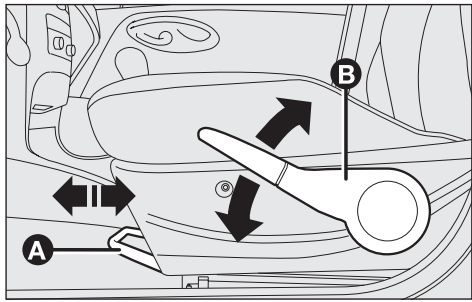
IMPORTANT After disconnecting/reconnecting the battery, certain displayed values will be equal to “- - -” until significant data for recalculation are available.

INSTRUMENT PANEL, DISPLAY AND BUTTON LIGHTING ADJUSTMENT (LIGHT RHEOSTAT)

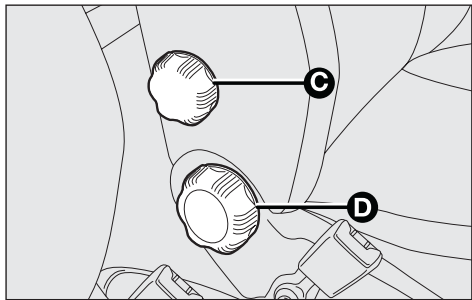
With this function it is possible to adjust the lighting (dimming/brightening) of the instrument cluster, and two-zone climate control display (where required).

To adjust proceed as follows:





F010044m



F010045m

SEATS

FRONT SEATS

Moving the seat backwards or forwards

Lift the lever (A) (on seat internal side) and push the seat forwards or backwards: in the driving position the arms should rest on the rim of the steering wheel.

Seat height adjustment (where provided)

Move the lever (B) upwards or downwards to achieve the required height.

IMPORTANT Adjustment must be carried out only seated in the driver's seat.

Back rest angle adjustment

Turn the knob (C).

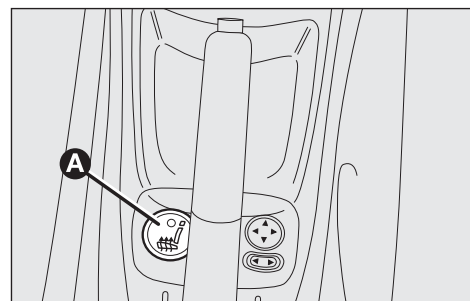
Lumbar adjustment (where provided)

To adjust, turn the knob (D).

Seat warming (where provided)

Press button (A) to switch the seat warming on/off.

The led on the button will light up when the function is on.



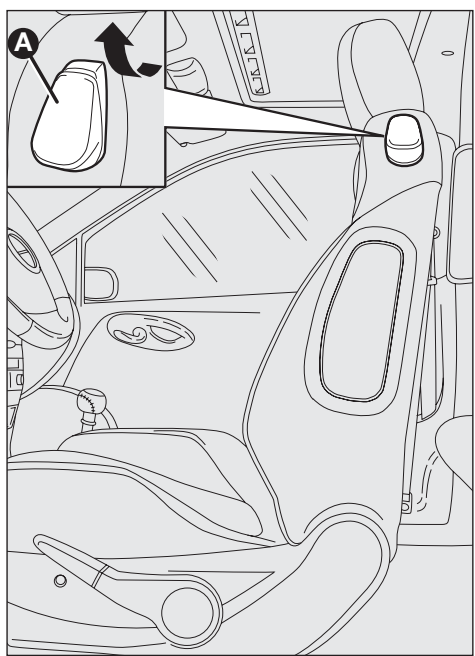
WARNING

Only make adjustments when the car is stationary.



WARNING

Once you have released the lever, check that the seat is firmly locked in the runners by trying to move it back and forth. Failure to lock the seat in place could result in the seat moving suddenly and the driver losing control of the car.



F010075m

Tilting the back rest (3-door versions)

To gain access to the rear seats, pull the handle (A) upwards, the back rest folds and the seat is free to run forwards.

When resetting the back rest, the seat returns to its original position (mechanical memory).

Always check that the seat is firmly locked in the runners by trying to move it back and forth.

HEAD RESTRAINTS

FRONT SEATS

According to versions they can be fixed or adjustable in height.

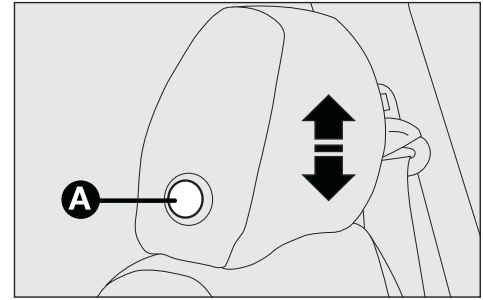
To raise or lower the head restraint, press button (A) then move it to the required position until hearing the locking click. Make sure it is properly locked in place.

REAR SEATS (where provided)

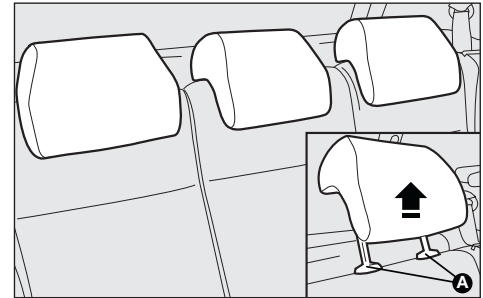
According to versions, two or three head restraints can be provided.

To remove the head restraints, first remove the rear parcel shelf (see paragraph "Extending the boot"), press button (A) set aside the two supports and take them out.

Certain versions are fitted with three head restraints and central seat with seat belt with three anchoring points and reel.



F010074m



F010136m



WARNING

Remember that the head restraints should be adjusted to support the back of your head and not your neck. Only in this position do they exert their protective action.



WARNING

To optimise head restraint protective action, adjust the seat back upright and keep your head as close as possible to the head restraint.

DASHBOARD
AND
CONTROLS

SAFETY
DEVICES

CORRECT USE
OF THE CAR

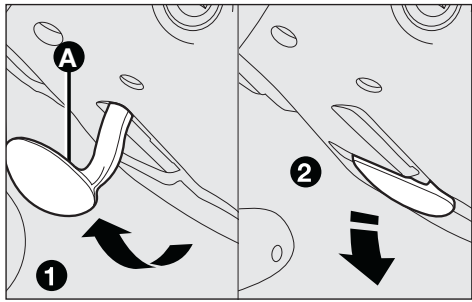
WARNING
LIGHTS AND
MESSAGES

IN AN
EMERGENCY

CAR
MAINTENANCE

TECHNICAL
SPECIFICATIONS

INDEX



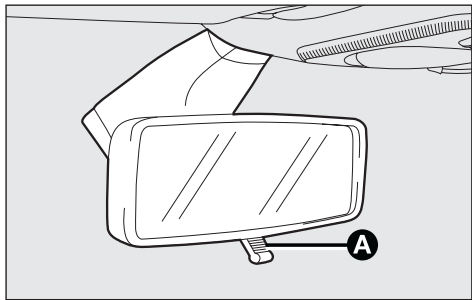
F010046m

STEERING WHEEL

On certain versions the steering wheel can be adjusted in height.

Proceed as follows:

- move lever (A) to position (1);
- adjust the steering wheel;
- refit the lever to position (2) to stop the steering wheel.



F010047m

REARVIEW MIRRORS

DRIVING MIRROR

The mirror is fitted with a safety device that causes it to be released in the event of a violent crash.

Using the lever (A) it can be moved to two different positions: normal or antiglare.



WARNING

Any adjustment of the steering wheel position must be carried out only with the car stationary and the engine turned off.



WARNING

It is absolutely forbidden to carry out whatever after-market operation involving steering system or steering column modifications (e.g.: installation of anti-theft device) that could badly affect performance and safety, cause the lapse of warranty and also result in non-compliance of the car with homologation requirements.

DOOR MIRRORS

Manual adjustment

From the passenger compartment, use knob (A) to make the required adjustments. When required (for example when the mirror causes difficulty in narrow spaces) it is possible to fold the mirror moving it from position (1) to position (2).

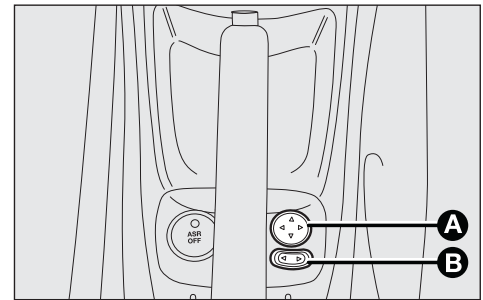
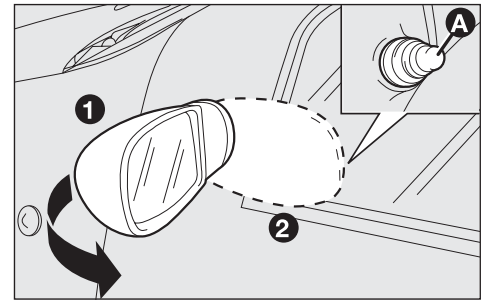
Electrical adjustment (where provided)

This operation can be only performed with ignition key to MAR.

Proceed as follows:

- use switch (B) to select the mirror required (left or right);
- to adjust the mirror move (A) in the four directions;

IMPORTANT Any adjustment of the mirror position must be carried out only with the car stationary and handbrake engaged.



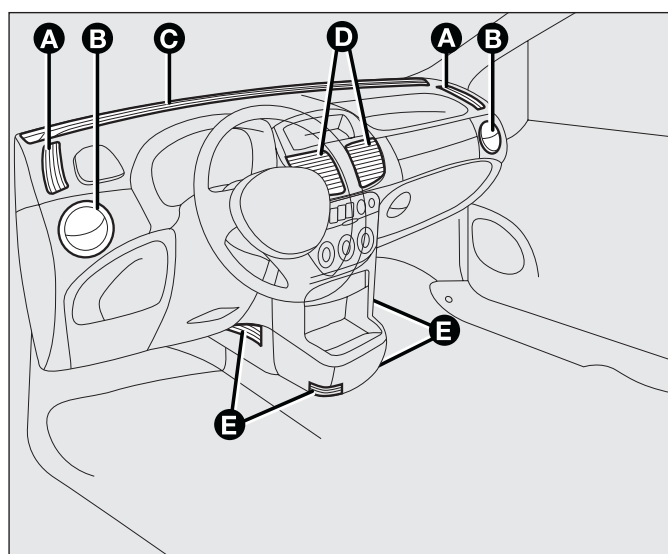
When driving the mirrors shall always be in position (1).



As the driver's door mirror is curved, it may slightly alter the perception of distance.

HEATING/CLIMATE CONTROL SYSTEM

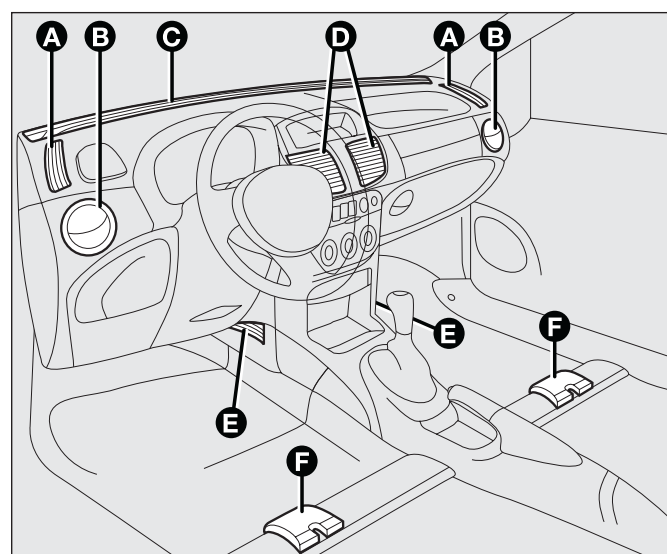
Version with central dashboard unit



F010217m

A - Fixed side vents - B - Adjustable side outlets - C - Fixed upper vent - D - Fixed central vent - E - Lower vents

Version with central tunnel unit



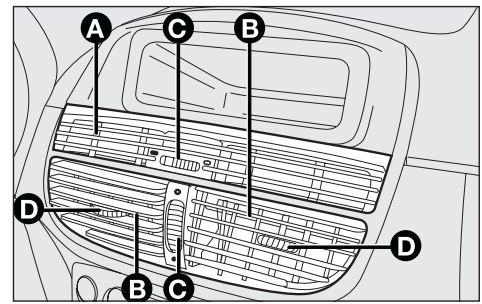
F010189m

A - Fixed side vents - B - Adjustable side outlets - C - Fixed upper vent - D - Fixed central vent - E - Lower vents - F - Lower vents for rear seats

CENTRAL VENTS

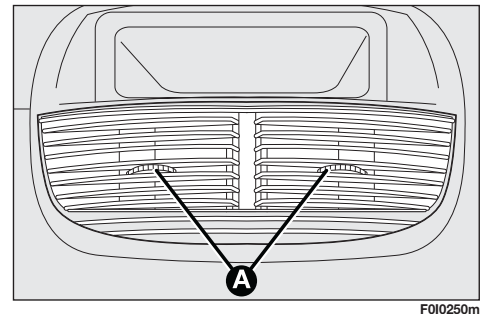
Versions with automatic two-zone climate control system

- (A) - Fixed vent.
- (B) - Swivel vents.
- (C) - Control for adjusting air flow:
 - vent open
 - vent closed
- (D) - Control for directing air flow:



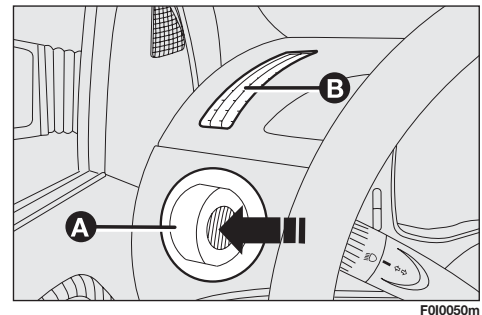
Versions without automatic two-zone climate control system

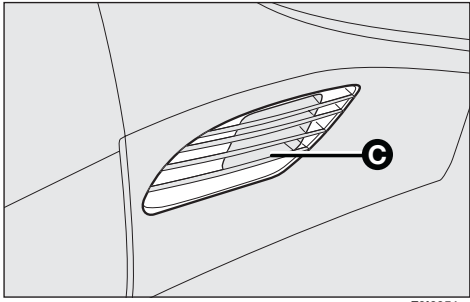
- (A) - Air flow opening/closing control.



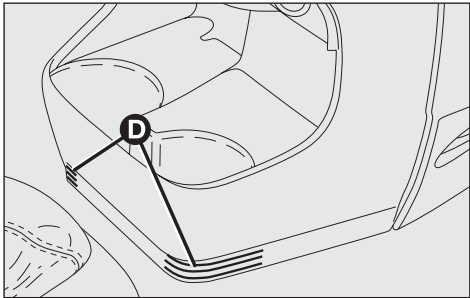
SIDE OUTLETS AND VENTS

- (A) - Adjustable outlet: press in the direction of the arrow as required.
- (B) - Fixed vent for side windows.





F010051m



F010232m

LOWER VENTS

(C) - (D) Fixed vents for conveying air to the footwell.






HEATING AND VENTILATION

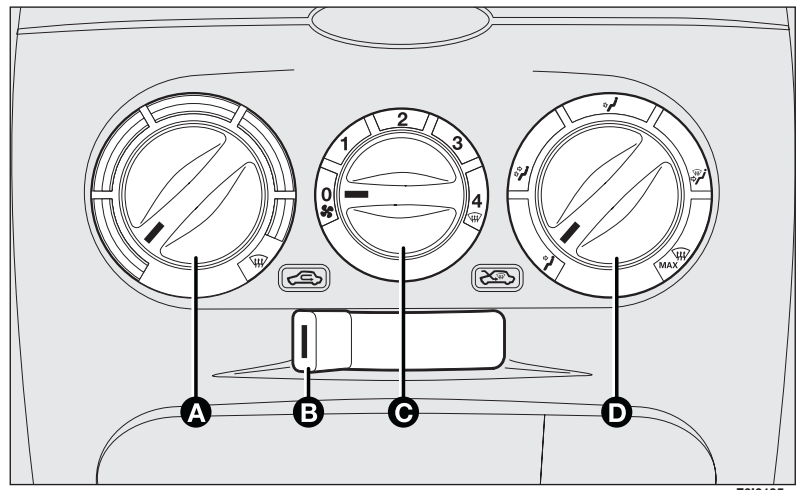
CONTROLS

- (A): Air temperature knob (mixing hot and cold air)
- (B): Air recirculation on/off button
- (C): Fan knob
- (D): Air distribution knob.

CLIMATIC COMFORT

Knob (D) directs the air inside the passenger compartment according to five levels:





-  air flow from central vents and side outlets;
-  to warm the feet and keep the face cool ("bilevel" function)
-  to speed up passenger compartment warming;
-  to warm the passenger compartment and at the same time demist the windscreen;
-  to demist and defrost the windscreen and side front windows.



F010195m




HEATING

Proceed as follows:

- rotate knob (A) (pointer on ) completely to the right;
- turn knob (C) to the required speed;
- move knob (D) to:
 -  to warm the feet and at the same time demist the windscreen;
 -  to warm the feet and convey cooler air from central vents and dashboard outlets;
 -  for quick heating.





QUICK HEATING

Proceed as follows:

- close all dashboard vents;
- turn knob (A) to ;
- turn knob (C) to 4 ;
- turn knob (D) to .

QUICK WINDSCREEN AND FRONT SIDE WINDOW DEMISTING/DEFROSTING (MAX-DEF function)




Proceed as follows:

- turn knob (A) to ;
- turn knob (C) to 4 ;
- turn knob (D) to ;
- slider (B) at .

After demisting/defrosting, operate the controls to restore the required comfort.


Preventive demisting procedure


In the event of considerable outside moisture and/or rain and/or considerable differences in temperature inside and outside the passenger compartment, perform the following preventive demisting procedure:

- slider (B) at ;
- turn knob (A) to ;
- turn knob (C) to 2;
- turn knob (D) to  or to  if the windows do not mist up.

REAR WINDOW AND DOOR MIRROR DEMISTING/DEFROSTING (where required)

Press  to turn this function on.



Activation is indicated by the turning on of the warning light  on the instrument panel.

This function is timed and switches off automatically after 30 minutes. To cut out this function press again button .


IMPORTANT Do not apply stickers on the inside of the rear window over the heating filaments to avoid damage that might cause it to stop working properly.

FAN SPEED ADJUSTMENT

Proceed as follows:

- open completely central vents and side outlets;
- turn knob (A) to the blue sector;
- slider (B) at ;
- turn knob (C) to the required speed;
- turn knob (D) to .

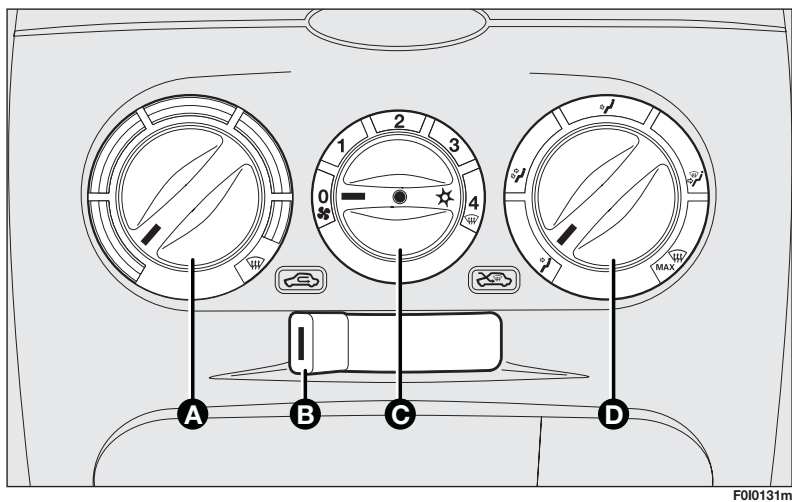
RECIRCULATION

Move slider (B) to .

This function is particularly useful when the outside air is heavily polluted (in a traffic jam, tunnel, etc.). However, it is better not to use it for long periods, especially if there are several people in the car.

IMPORTANT The inside air recirculation system makes it possible to reach the required “heating” or “cooling” conditions faster. Do not use the air recirculation function on rainy/cold days as it would considerably increase the possibility of the windows misting inside.

MANUAL CLIMATE CONTROL SYSTEM (where provided)



CONTROLS

- (A): Air temperature knob (mixing hot and cold air);
- (B): Air recirculation on/off button;
- (C): Fan knob and climate control system on/off;
- (D): Air distribution knob.

CLIMATIC COMFORT

Knob (D) directs the air inside the passenger compartment according to five levels:

- ↗ air flow from central vents and side outlets;
- ↘ to warm the feet and keep the face cool (“bilevel” function)

- ↗ to speed up passenger compartment warming;
- ↘ to warm the passenger compartment and at the same time demist the windscreen;
- ☑ MAX to demist and defrost the windscreen and side front windows.




HEATING

Proceed as follows:

- rotate knob (A) (pointer on ☑) completely to the right;
- turn knob (C) to the required speed;
- move knob (D) to:
 - ↘ to warm the feet and at the same time demist the windscreen;
 - ↗ to warm the feet and convey cooler air from central vents and dashboard outlets;
 - ↘ for quick heating.


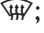


QUICK HEATING

Proceed as follows:

- close all dashboard vents;
- turn knob (A) to ;
- turn knob (C) to 4 ;
- turn knob (D) to .

QUICK WINDSCREEN AND FRONT SIDE WINDOW DEMISTING/DEFROSTING (MAX-DEF function)

Proceed as follows:





- turn knob (A) to ;
- turn knob (C) to 4 ;
- turn knob (D) to ;
- slider (B) at .

After demisting/defrosting, operate the controls to restore the required comfort.


IMPORTANT Climate control system is very useful to speed up demisting since it dehumidifies the air. Set controls to demisting function as described previously and switch on the climate control system by pressing knob (C).


Preventive demisting procedure


In the event of considerable outside moisture and/or rain and/or considerable differences in temperature inside and outside the passenger compartment, perform the following preventive demisting procedure:

- slider (B) at ;
- turn knob (A) to ;
- turn knob (C) to 2;
- turn knob (D) to  or to  if the windows do not mist up.

REAR WINDOW AND DOOR MIRROR DEMISTING/DEFROSTING (where required)

Press  to turn this function on.



Activation is indicated by the turning on of the warning light  on the instrument panel.

This function is timed and switches off automatically after 30 minutes. To cut out this function press again button .


IMPORTANT Do not apply stickers on the inside of the rear window over the heating filaments to avoid damage that might cause it to stop working properly.

FAN SPEED ADJUSTMENT

Proceed as follows:

- open completely central vents and side outlets;
- turn knob (A) to the blue sector;
- slider (B) at ;
- turn knob (C) to the required speed;
- turn knob (D) to .

RECIRCULATION




Move slider (B) to .

This function is particularly useful when the outside air is heavily polluted (in a traffic jam, tunnel, etc.). However, it is better not to use it for long periods, especially if there are several people in the car.

IMPORTANT The inside air recirculation system makes it possible to reach the required “heating” or “cooling” conditions faster. Do not use the air recirculation function on rainy/cold days as it would considerably increase the possibility of the windows misting inside.


CLIMATE CONTROL (cooling)

Proceed as follows:

- turn knob (A) to the blue sector;
- turn knob (C) to 4 .
- slider (B) at .
- turn knob (D) to .
- press knob (C).

Cooling adjustment

Proceed as follows:

- slider (B) at .
- Turn knob (A) to the right to raise temperature;
- Turn knob (C) to the left to reduce the fan speed.

LOOKING AFTER THE SYSTEM

During the winter, the climate control system must be turned on at least once a month for about ten minutes. Before summer, have the system checked at a Fiat Dealership.

AUTOMATIC TWO-ZONE CLIMATE CONTROL SYSTEM (DUALZONE) (where provided)

DESCRIPTION

The car is fitted with a two-zone climate control system which makes it possible to separately adjust the air temperature on the driver's side and on the passenger's side.

CONTROLS

(A): Air distribution selection button

(B): Display showing climate control system data

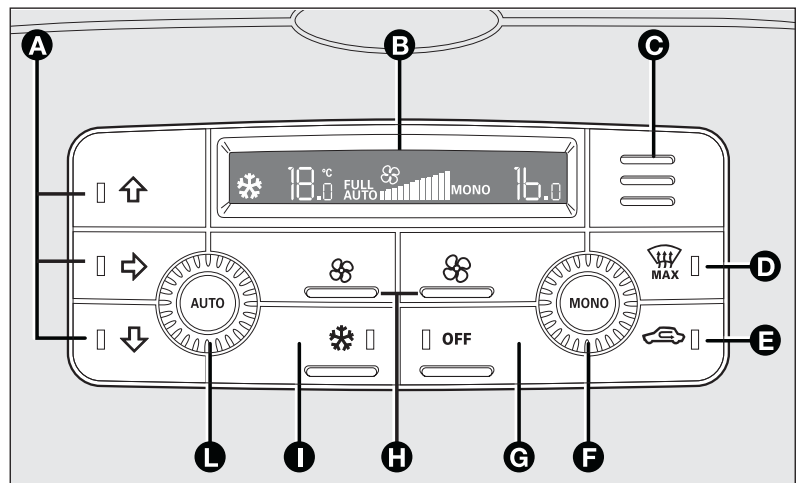
(C): Passenger compartment temperature sensor

(D): MAX-DEF function button (front window fast defrosting/demisting)

(E): Air recirculation on/off button

(F): Button for aligning the temperature set on the passenger's side with that on the driver's side (MONO) and knob to adjust temperature on passenger side

(G): Two-zone climate control on/off button



F010053m

(H): Knobs for adjusting fan speed

(I): Climate control compressor on/off button

(L): Button for selecting the system automatic mode (AUTO) and knob to adjust temperature on driver side

SWITCHING THE CLIMATE CONTROL SYSTEM ON

The system can be started in different ways, but it is advisable to set the temperatures required on the display; then press button AUTO.

It is possible to personalise required temperatures (driver and passenger) with a maximum difference of 7°C.

The climate control system compressor works only with the engine running and outside temperature over 4°C.

HOW TO USE THE AUTOMATIC FUNCTION (AUTO)

Press button AUTO; the system will automatically adjust:

- air inlet in the passenger's compartment;
- air distribution in the passenger's compartment; thus cancelling all the previous manual adjustments.

When the climate control system is working automatically, FULL AUTO is displayed. It is possible to personalise the choices made automatically by the system intervening manually on the following controls:


- fan speed adjustment knob;
- air distribution selection button;
- inside air recirculation on/off ;
- climate control compressor button.



WARNING

It is inadvisable to use the inside air recirculation feature with low outside temperature as the windows might mist over quickly.


FAN SPEED ADJUSTMENT

Press button  to adjust the fan speed.

The 12 selectable speeds are shown by the lighting up of the bars on the climate control system display:

max fan speed = all bars lit

min fan speed = one bar lit.

The fan can be cut off (all bars off) only if the climate control compressor has been switched off pressing button .

To restore automatic fan speed control, after a manual adjustment, press button AUTO.

AIR TEMPERATURE ADJUSTMENT KNOBS

Turning knobs (L) or (F) clockwise or counter-clockwise, respectively higher or lowers the air temperature on driver's side (knob L) or passenger's side (knob F). The temperatures set are shown on the display.

Turning knobs clockwise or counter-clockwise until they reach the extreme selections HI or LO, the maximum heating or cooling functions are respectively engaged.

HI function (maximum heating power)

This is turned on setting on the display a temperature above 32°C and can be activated independently from the driver's or passenger's side or both; this setting brings the system to the "monozone" mode, the display will show HI.

This function can be engaged when requiring to heat the passenger compartment as quickly as possible. All manual settings are however possible with this function on.

HI function takes air distribution to  and fan speed as set by the system.

IMPORTANT This function is inadvisable with the engine cold to prevent admitting air that is not warm enough to the passenger compartment.


To switch the system off, simply turn the ring of knob (L) or (F) of the temperature set value below 32°C; the display shows 32°C.

Pressing the AUTO key the display will show a temperature of 32°C and returns to an operating condition with automatic temperature adjustment.

LO function (highest cooling power)

This is turned on setting on the display a temperature below 16°C, the display will show LO.

This function can be engaged when requiring to cool the passenger compartment as quickly as possible.


The function cuts off air heating, engages inside air recirculation (to prevent admitting hot air to the passenger compartment) and the climate control compressor, takes air distribution to  and fan speed as set by the system.



All manual settings are however possible with this function on.

To switch the function off, simply turn knob (L) or (F) of the temperature set on a value above 16°C; the display will show 16°C.

Pressing the AUTO key the display will show a temperature of 16°C and returns to an operating condition with automatic temperature adjustment.

FAST FRONT WINDOW DEMISTING/DEFROSTING (MAX-DEF function)

Pressing button  the climate control automatically activates timed operation of all the functions required to quicken demisting/defrosting of the windscreen and front side windows, i.e.:




- switches on climate control compressor if outside temperature exceeds 4°C;
- switches off air recirculation, if previously on, (button  led off);
- switches on heated rear window ( button led on) and door mirror coils (where required);
- sets max air temperature;
- activates proper air flow;
- sets min. fan speed.



IMPORTANT Press button  to obtain outside air inlet into passenger compartment.

RECIRCULATION

Press button .

Inside air recirculation is controlled by three operating logics:

- automatic control, indicated by button  led off;
- forced switching off (inside air recirculation always off with air inlet from outside) ( button led off;
- forced switching on (inside air recirculation always on with air inlet from outside) ( button led on).

Pressing button OFF, the climate control system turns on automatically the inside air recirculation function ( button led on). In these conditions it is however possible to take air from the outside (and vice versa) pressing button  (button led off).

IMPORTANT The inside air recirculation system makes it possible to reach the required “heating” or “cooling” conditions faster. It is however inadvisable to use it on rainy/cold days as it would considerably increase the possibility of the windows misting inside, especially if the climate control system is off. It is advisable to turn on the inside air recirculation system in queues or tunnels to avoid admitting polluted air from outside. The prolonged use of this function should however be avoided, especially with several persons on board, to avoid the possibility of the windows misting inside.


MONO BUTTON FOR THE ALIGNMENT OF SET TEMPERATURES

Pressing button MONO automatically aligns the temperature on the passenger's side with that on the driver's side.



Turn the knob AUTO or MONO to raise/reduce the temperature between the two zones by the same value.

Press again MONO or turn the knob to disable the function.



CLIMATE CONTROL COMPRESSOR ON/OFF


Press button  to switch on the climate control compressor.


Compressor on

-  button led on;
- symbol  lit on display.

Compressor off

-  button led off;
- symbol  off the display.

With the climate control compressor off, it is not possible to admit air to the passenger compartment with a temperature below the outside temperature; in this case the warning light  flashes on the display.

To restore automatic control for switching on the climate control compressor, press button  or AUTO: in which case, however, the other manual settings set will be cancelled.

AIR DISTRIBUTION SELECTION

Pressing one or more buttons // it is possible to choose manually 5 of the possible air distributions to the passenger compartment:

- Air flow to the windscreen and front side window vents to demist or defrost them.
- Air flow towards the front and rear lower parts of the passenger compartment. This type of distribution allows heating of the passenger compartment in the shortest time.
- Air flow to the dashboard centre and side outlets (passenger's body).
- Splitting of the air flow between feet vents and windscreen and front side window demisting/defrosting vents. This type of air distribution allows satisfactory heating of the passenger compartment while preventing possible misting of the windows.
- Splitting of the air flow between feet vents (warmest air) and the dashboard centre and side outlets and the rear outlet (coolest air).

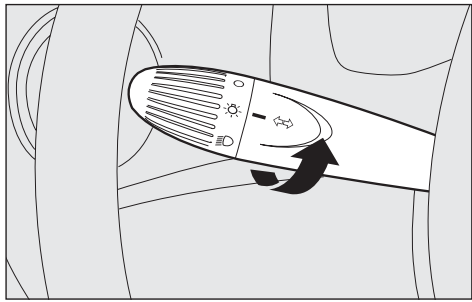
IMPORTANT For operation of the climate control system, at least one of buttons // shall be activated. Deactivation of all // buttons is therefore not enabled by the system.

IMPORTANT To switch the system on again, press button OFF.

To restore automatic air distribution control after a manual selection, press button AUTO.

SWITCHING THE CLIMATE CONTROL SYSTEM OFF

Press button OFF. With climate control system off, OFF button and button LEDs are off.



F010065m

EXTERNAL LIGHTS

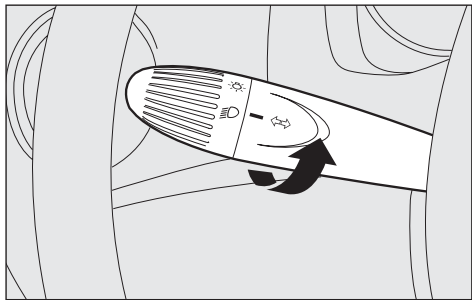
The left-hand stalk controls the external lights and the direction indicators.

The external lights can only be switched on when the ignition key is at MAR.

SIDELIGHTS

Turn the knurled ring to ☀.

The warning light ☀ on the instrument cluster will come on.



F010066m

DIPPED BEAM HEADLIGHTS

Turn the knurled ring to ☾.

The warning light ☾ on the instrument cluster will come on.

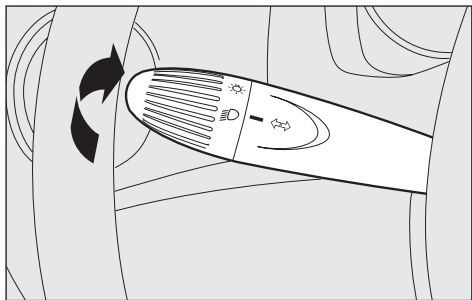
With dipped beam and front fog lights on, turning on the main beam headlights will turn off automatically the dipped beam headlights.

MAIN BEAM HEADLIGHTS

When the knurled ring is at ☾ push the lever towards the dashboard (stable position).

The warning light ☾ on the instrument cluster will come on.


Pulling the lever towards the steering wheel again, the main beams are turned off and the dipped beams on.



F010067m

FLASHING THE HEADLIGHTS


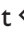
Pull the lever towards the steering wheel (unstable position) regardless of the position of the knurled ring.

Instrument panel warning light  will turn on.

DIRECTION INDICATORS

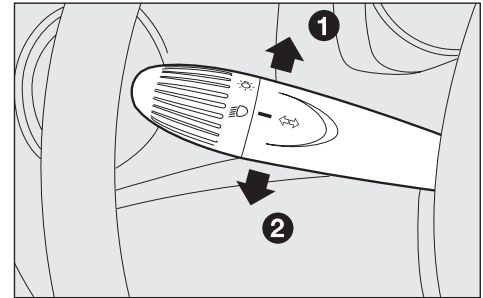
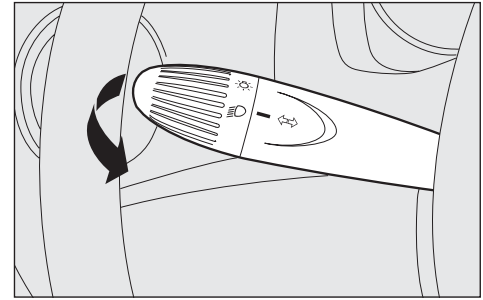
Push the lever to stable position:

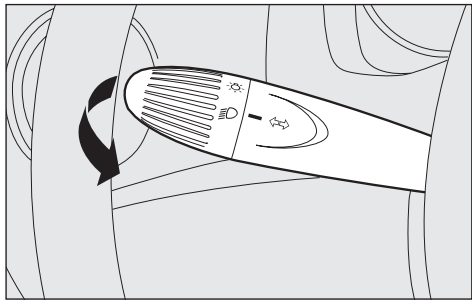
- up (position 1): engage the right-hand direction indicator;
- down (position 2): engage the left-hand direction indicator.

Warning light  or  will come on flashing on the instrument cluster at the same time.

Indicators are switched off automatically when the steering wheel is straightened.

If you want the indicator to flash briefly to show that you are about to change lane, move the stalk up or down without clicking into position (unstable position). When released the stalk will return to its home position.





F010068m

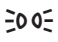
“FOLLOW ME HOME” DEVICE

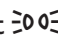
This function allows the illumination of the space in front of the car.

Activation

With the ignition key at STOP or removed, pull the left-hand stalk towards the steering wheel and operate it within 2 minutes from when the engine is turned off.

At each single movement of the stalk, the staying on of the lights is extended by 30 seconds up to a maximum of 3,5minutes, then the lights are switched off automatically.

Each time the lever is operated, the instrument panel warning light  turns on and the display will show the function activation time.

The warning light  will turn on the first time the stalk is operated and it will stay on until the function is automatically deactivated. Each stalk operation will just extend the staying on of the lights.

Deactivation

Keep the stalk pulled towards the steering wheel for more than 2 seconds.

WINDOW WASHING

WINDSCREEN WASHER/WIPER

This device can only work when the ignition key is at MAR.

The stalk can be moved to five different positions:

(A): windscreen wiper off

(B): flick wipe: on certain versions, turning the knurled ring (F), four possible intermittent speeds are obtained (slowest to fastest).

With the stalk in position (B), turning the knurled ring (F), four possible intermittent speeds are obtained:

■ = very slow intermittent

■ = slow intermittent

■ = intermittent medium

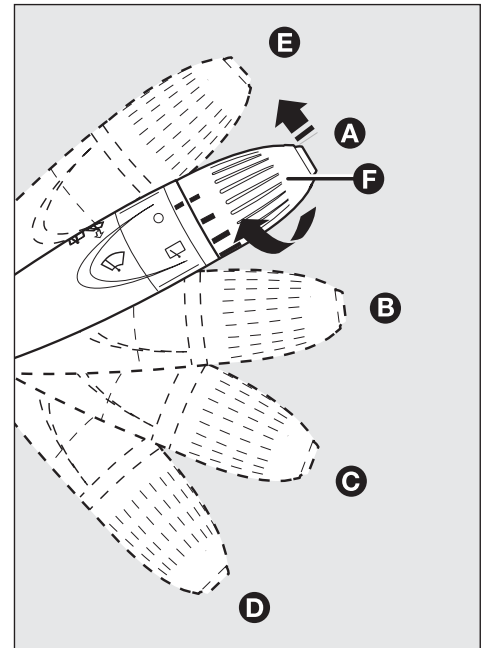
■ = fast intermittent

(C): continuous slow;

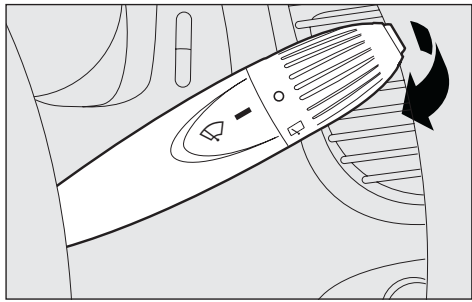
(D): continuous fast;

(E): fast temporary (unstable position).

Operation in position (E) is limited to the time the lever is held in this position. When the lever is released, it returns to position (A) automatically stopping the wiper.



F010096m



F010159m

“Smart washing” function

Pulling the stalk towards the steering wheel (unstable position) operates the windscreen washer; indeed, the latter comes into action automatically if the stalk is pulled for more than half a second.

The wiper stops working three strokes after releasing the stalk. On certain versions a further “cleaning stroke”, after a few seconds, completes the wiping operation.

Operating the stalk quickly and repeatedly (for less than half a second) it is possible to wet the windscreen several times without operating the wiper.



Never use the window wiper to remove ice or snow from the windscreen. In these conditions, the wiper is submitted to excessive effort that results in motor protection cutting in and wiper operation inhibition for few seconds as a consequence. If operation is not restored contact Fiat Dealership.

RAIN SENSOR (where provided)

The rain sensor is behind the driving mirror in contact with the windscreen and has the purpose of automatically adjust, during the intermittent operation, the frequency of the windscreen wiper strokes as to the rain intensity.

The sensor has a range of adjustment that gradually varies between wiper stationary (no wiping) when the windscreen is dry, to wiper at first continuous speed (continuous slow) with heavy rain.

Activation

Move the right-hand stalk downwards by one position.

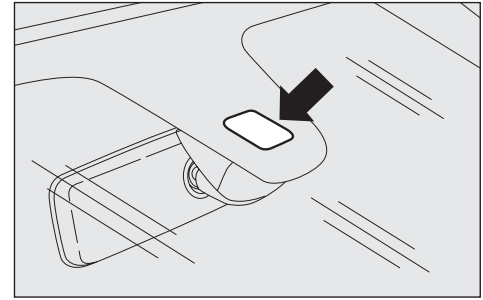
The activation of the rain sensor is signalled by a control acquisition “stroke”.

IMPORTANT Keep clean the glass in the sensor area.

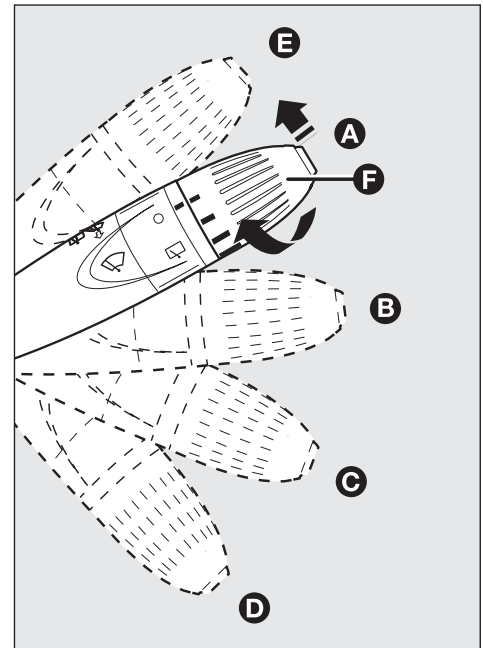
Turning the knurled ring (F) it is possible to increase the sensitivity of the rain sensor, obtaining a quicker change from stationary (no wiping) when the windscreen is dry, to first continuous speed (continuous, slow).

The increase of the sensitivity of the rain sensor is signalled by a control and acquisition “cycle”.

Operating the windscreen washer with the rain sensor activated the normal washing cycle is performed at the end of which the rain sensor resumes its normal automatic function.



F010077m



F010096m

Deactivation

Turn the ignition key to STOP.

At the following starting operation (key at MAR), the sensor will not be reactivated even is the stalk is on (B). In this event, to activate the rain sensor, you have to move the stalk to (A) or (C) and then again to (B).

When the rain sensor is again activated in this way, at least one windscreen wiper stroke occurs, even if the windscreen is dry.

The rain sensor is able to recognize and automatically adjust itself in the presence of the following particular conditions:

- impurities on the controlled surface (salt, dirt, etc.);
- straks of water caused by worn wiper blades;
- difference between day and night.



Do not activate the rain sensor when washing the car in an automatic washing station.



In the event of ice on the windscreen, make sure to have disconnected the device.





WARNING

Make sure the device is off when cleaning the windscreen.

REAR WINDOW WASH/WIPE FUNCTION

This device can only work when the ignition key is at MAR.

To switch the rear window wiper on, turn the knurled ring from  to . To wash the window push the stalk towards the dashboard.

On certain versions the rear window and windscreen wiping strokes are synchronised.

“Smart washing” function

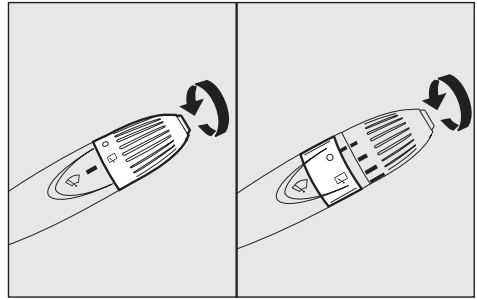
On certain versions, pulling the stalk towards the dashboard, with just one movement it is possible to operate the washer jet and the wiper at the same time; indeed, the latter comes into action automatically if the stalk is pulled for more than half a second.

The wiper stops working three strokes after releasing the stalk. On certain versions a further “cleaning stroke”, after a few seconds, completes the wiping operation.

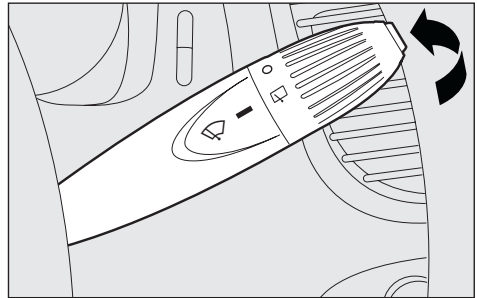
HEADLIGHT WASHERS

They are activated automatically when the windscreen washer is operated with dipped beam headlights or main beam headlights on.

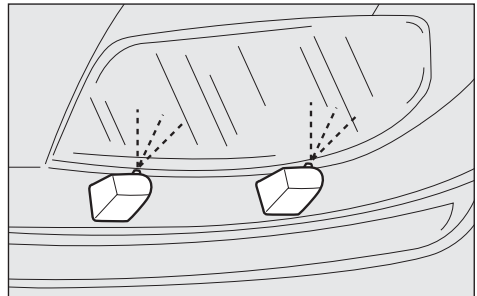
IMPORTANT Regularly check that the spray jets are intact and clean.



F010157m



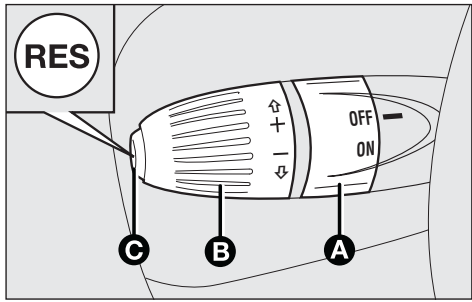
F010158m



F010207m



Never use the rear window wiper to remove ice or snow from the rear window. In these conditions, the wiper is submitted to excessive effort that results in motor protection cutting in and wiper operation inhibition for few seconds as a consequence. If operation is not restored contact Fiat Dealership.




CRUISE CONTROL (where provided)

It is a device able to support the driver, with electronic control, which allows driving at speed over 30 km/h on long and straight dry roads (e.g.: motorways), at a desired speed, without pressing the accelerator pedal. Therefore it is not suggested to use this device on extra-urban roads with traffic. Do not use it in town.

DEVICE ENGAGEMENT

Turn knurled ring (A) to ON.

The device may only be engaged in the 4th or 5th or 6th gear. Travelling downhill with the device engaged, the car speed may increase more than the memorised one.

When the device is activated, the warning light  on the instrument cluster turns on together with the message on the reconfigurable multifunction display (where provided) (see section “Warning lights and messages”).

TO MEMORISE SPEED

Proceed as follows:

- turn the knurled ring (A) to ON and press the accelerator pedal to the required speed;
- turn the knurled ring (B) to (+) for at least three seconds, then release it. The car speed is memorised and it is therefore possible to release the accelerator pedal.

In the case of need (when overtaking for instance) acceleration is possible simply pressing the accelerator pedal; later, releasing the accelerator pedal, the car will return to the speed memorised previously.

TO RESET THE MEMORISED SPEED

If the device has been disengaged for example pressing the brake or clutch pedal, the memorised speed can be reset as follows:

- accelerate gradually until reaching a speed approaching the one memorised;
- engage the gear selected at the time of speed memorising (4th or 5th or 6th gear);
- press the RES button (C).

TO INCREASE THE MEMORISED SPEED

The speed memorised can be increased in two ways:

- pressing the accelerator and then memorising the new speed reached;

or

- momentarily turning the ring (B) to (+).

Each pulse of the ring will correspond to a slight increase in speed (about 1 km/h), while pressing continuously will correspond to a continuous speed increase.

TO REDUCE MEMORISED SPEED

The speed memorised can be increased in two ways:

- disengaging the device and then memorising the new speed;

or

- keeping the ring (B) pressed at (-) until reaching the new speed which will be memorised automatically.

Each pulse of the ring will correspond to a slight reduction in speed (about 1 km/h), while pressing continuously will correspond to a continuous speed reduction.

DEVICE DISENGAGEMENT

Turn the ring (A) to OFF or the ignition key to STOP. The device is automatically deactivated also in one of the following cases:

- pressing the brake or clutch pedal;
- ESP or ASR systems cut-in (where provided);
- gearshifting in versions with Dualogic automatic transmission (where provided);
- involuntarily moving the Dualogic lever (where provided) to (N).



WARNING

When travelling with the device on, do not put the gearbox lever in neutral and do not shift the Dualogic gearbox lever (where provided) to (N).



WARNING

In the event of device malfunction or failure, turn the knurled ring (A) to OFF and contact a Fiat Dealership after checking the protective fuse integrity.

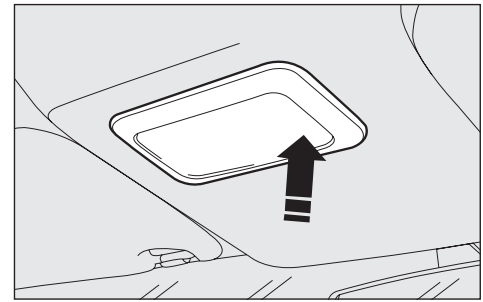
CEILING LIGHTS

FRONT CEILING LIGHT

With toggling lens

The light will come on automatically when a front door is opened and go out when the door is closed.

Press the short side of the lens to switch the light on and off when the doors are closed, as shown in the figure.



F010088m

With map reading lights

Press switch (A) to switch the light on and off.

Switch (B) operates the map reading light.

With switch (A) in central position, lights (C) and (D) will come on/off when doors are opened/closed.

With switch (A) pressed to the left, lights (C) and (D) are off and they will not come on when doors are opened.

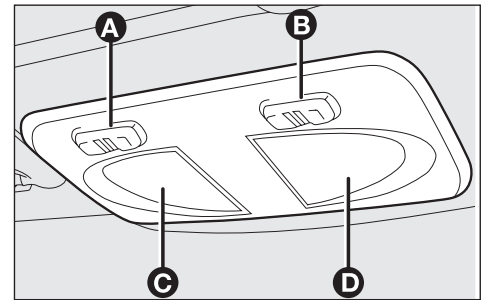
With switch (A) pressed to the right, lights (C) and (D) will come on regardless of the position of the doors.

On certain versions, lights come on/off gradually.

With light off, switch (B) turn on the following lights:

- map reading light (C) if pressed to the left;
- map reading light (D) if pressed to the right.

IMPORTANT Make sure that both switches are in central position before getting out of the car. This ensures that lights go out when the doors are closed preventing the battery from running down.



F010089m

Ceiling light timing

Two timing strategies are available on certain versions, in order to facilitate getting in and out of the car, especially at night in dark areas.

Timing for getting into the car

The ceiling lights will come on as follows:

- for about 10 seconds when the front doors are unlocked;
- for about 3 minutes when one of the side doors is opened;
- for about 10 seconds when a door is closed (within the three minutes).

Timing will be stopped when the ignition key is turned to MAR.

Timing for getting out of the car


The ceiling lights will come on as follows when the key is removed from the ignition switch:



- for about 10 seconds within two minutes after stopping the engine;
- for about 3 minutes when one of the side doors is opened;
- for about 7 minutes when a door is closed (within the three minutes).

The timeout will automatically end when the doors are locked.

CONTROLS



HAZARD LIGHTS

They come on when switch  is pressed regardless of the position of the ignition key.

When the device is on, the switch is flashing and warning lights  and  on the cluster come on.



Press the switch again to turn the lights off.

FRONT FOG LIGHTS (where provided)

Press button ; to activate these lights it is necessary to have the side/taillights switched on and warning light  on the cluster come on.


Press the button again to turn these lights off.

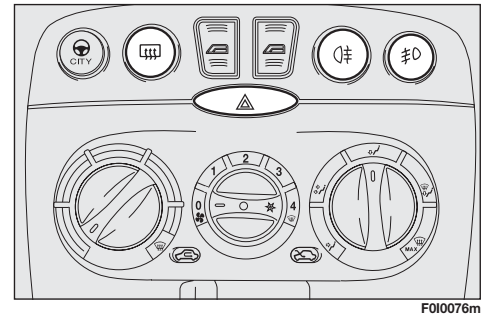
REAR FOG LIGHT

Press button ; to activate this light it is necessary to have the dipped beam headlights switched on and warning light  on the cluster come on.

Press the button again to turn these lights off.

HEATED REAR WINDOW

Press button  to turn it on. The device is automatically switched off after about 20 minutes.



DASHBOARD
AND
CONTROLS

SAFETY
DEVICES

CORRECT USE
OF THE CAR

WARNING
LIGHTS AND
MESSAGES

IN AN
EMERGENCY

CAR
MAINTENANCE

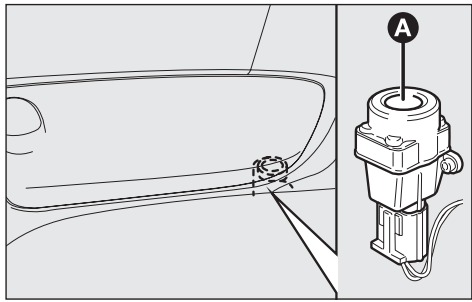
TECHNICAL
SPECIFICATIONS

INDEX



WARNING

The use of hazard lights is governed by the Road Traffic Code of the country you are in. Keep to the rules.



F010081m

FUEL CUT-OFF SWITCH (FIS)

It is located under the dashboard on the front right-hand door pillar and it comes into operation in the case of an accident to block the supply of fuel thereby stopping the engine.

Carefully inspect the car to find fuel leaks, e.g. in the engine compartment, under the car or near the tank.

If no fuel leaks are found and the car can be started again, press button (A) to reset the fuel system and the lights.

After a crash, remember to turn the ignition key to STOP to prevent battery run-down.



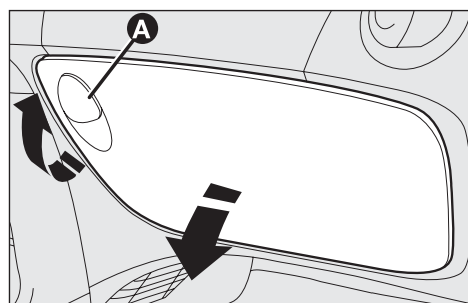
WARNING

If, after a crash, you smell fuel or see leaks from the fuel system, do not reset the switch to avoid fire risk.

INTERIOR FITTINGS

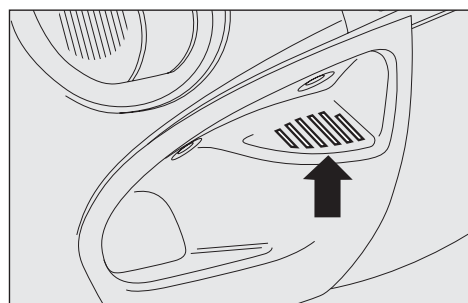
GLOVE COMPARTMENT

Operate handle (A) as shown by the arrow to open the compartment.



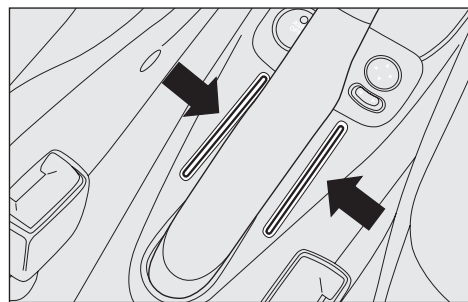
COIN TRAY

A coin tray may be found on the dashboard on the central tunnel according to the versions.



MAGNETIC CARD/TICKET SLOTS

The slots for holding magnetic cards and tickets (phone card, toll slips, etc.) can be found on the central tunnel unit.



WARNING

Do not travel with the glove compartment open: risk of passengers' injury in case of accident.

DASHBOARD
AND
CONTROLS

SAFETY
DEVICES

CORRECT USE
OF THE CAR

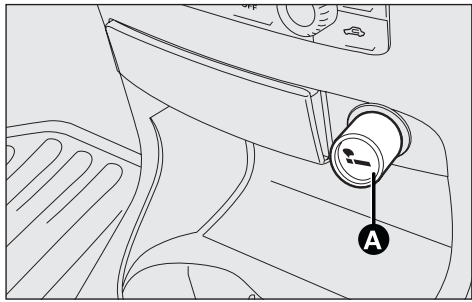
WARNING
LIGHTS AND
MESSAGES

IN AN
EMERGENCY

CAR
MAINTENANCE

TECHNICAL
SPECIFICATIONS

INDEX



F010197m

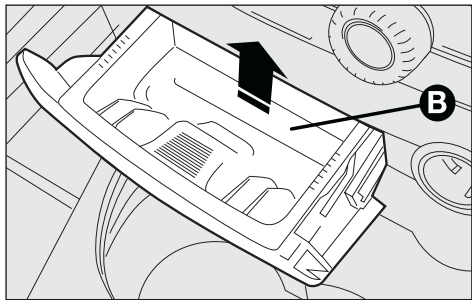
CIGAR LIGHTER

Press button (A) with ignition key at MAR.

After approx. 15 seconds it will return to its initial position and is ready for use.

IMPORTANT Always check that the cigar lighter has turned off.

IMPORTANT The cigar lighter gets very hot. Handle it with care and make sure that it is not used by children: danger of fire and/or burns.



F010080m

ASHTRAY

For front passengers

Pull the flap towards yourself. Remove the ashtray (B) by pulling it upwards as shown by the arrow for emptying it.

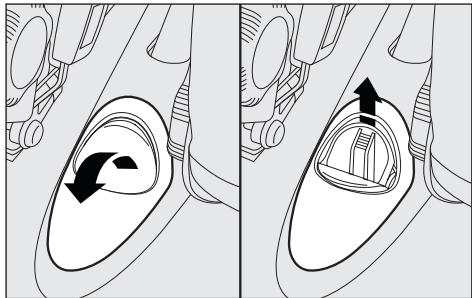
For rear passengers

For rear passengers there is a concealed ashtray set on the central console.

Pull it as shown by the arrows for use and removal.

IMPORTANT Do not use the ashtray as waste paper basket: it might set on fire in contact with cigarettes stub.

Non smokers can remove both the front and rear ashtrays and use the handy oddment compartment which results.



F010052m

SUN VISORS

They are located at the sides of the driving mirror. They can be adjusted forwards and sideways (this last adjustment is not possible on versions fitted with Front window bag).

A courtesy mirror is applied to the back of the passenger's side sun visor.

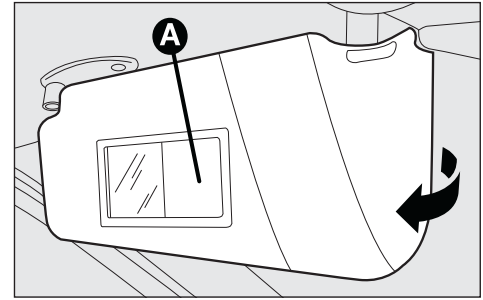
On some versions, the driver's sun visor is fitted on the back with a courtesy mirror: Lift the lid (A) to use the mirror.

REAR SIDE WINDOWS (three door versions)

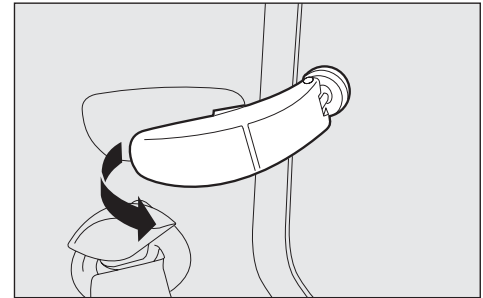
The windows open outwards:

- move the lever as shown in the figure;
- push the lever outwards to open the window completely;
- push the lever back until it clicks.

To close the windows, pull the lever to the opposite direction until it clicks.



F010082m



F010083m

DASHBOARD
AND
CONTROLS

SAFETY
DEVICES

CORRECT USE
OF THE CAR

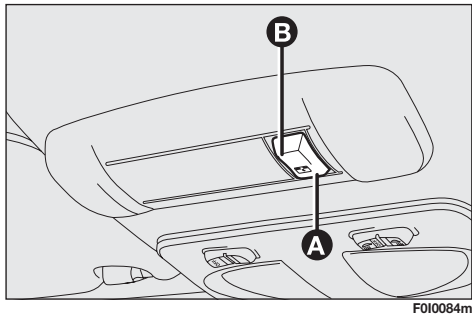
WARNING
LIGHTS AND
MESSAGES

IN AN
EMERGENCY

CAR
MAINTENANCE

TECHNICAL
SPECIFICATIONS

INDEX



F010084m

SUNROOF (where provided)

It is controlled electrically and it will only work when the ignition key is at MAR.

Sunroof is controlled by a switch. When you release it the roof locks in the position it is at that moment.

SUNROOF OPENING

Full opening

Press switch to (A) (symbol).

“Spoiler” position

Press switch to (B), this is only possible when the roof is closed.

SUNROOF CLOSING

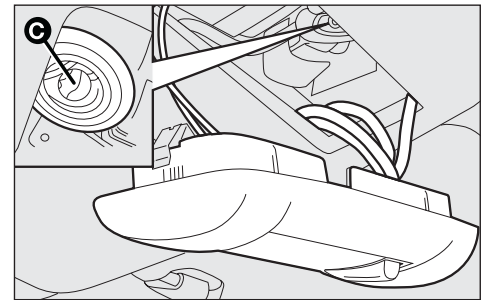
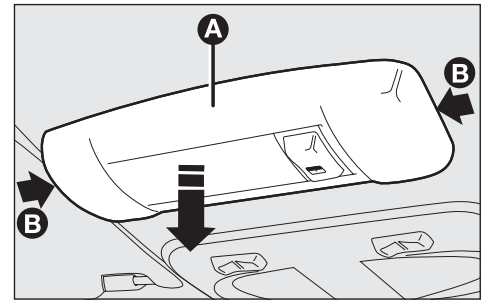
Press switch to (B). Press to (A) (symbol) when the roof is in spoiler position.

A sliding sunshade is fitted to lessen the effect of sun rays in the passenger compartment.

EMERGENCY OPERATION

If the switch does not work, the sunroof can be operated manually as follows:

- remove (A) operating from points (B) shown by the arrows;
- insert the screwdriver provided into (C);
- when fully open, turn the screwdriver half a turn back until it clicks, then remove the screwdriver.



Do not open the sunroof if there is snow or ice on it: it could be damaged.



WARNING

When leaving the car, the ignition key should be removed to prevent the sunroof from being operated inadvertently and harming anyone remaining in the car. Improper use of the sunroof can be dangerous. Before and during its operation ensure that any passengers are not at risk from the moving roof either by personal objects getting caught in the mechanism or by being injured by it directly.

DOORS

CENTRAL DOOR LOCKING SYSTEM

From the outside

With the doors closed, fit and turn the key in one of the front door locks.

From the inside

With the doors closed, press (to lock) or lift (to unlock) one of the front door knobs.

The rear door knobs will lock or unlock only the specific door.

IMPORTANT If one of the doors is not shut properly or there is a failure in the system, the central locking feature will cut out and after some attempts the device stops working for about two minutes. In these 2 minutes, the doors can be locked or unlocked manually. After the two minutes, the control unit is ready to receive commands once more.

If the cause of the failure is removed, the device will start working properly.

CHILD LOCK (5-door versions)

To prevent opening the rear doors from the inside.

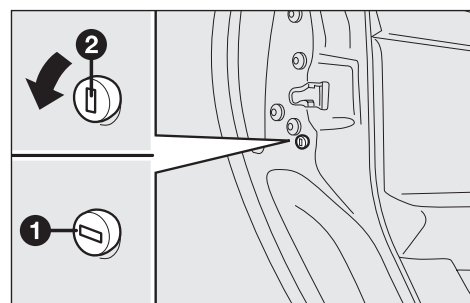
This device can be engaged only with doors open:

- position 1 - engaged (door locked);
- position 2 - disengaged (door openable from inside).

The device is engaged even if the doors are unlocked by the centralised system.

IMPORTANT Always use the lock when transporting children.

IMPORTANT After engaging the lock, check by trying to open a rear door with the internal handle.



F010129m

DASHBOARD
AND
CONTROLS

SAFETY
DEVICES

CORRECT USE
OF THE CAR

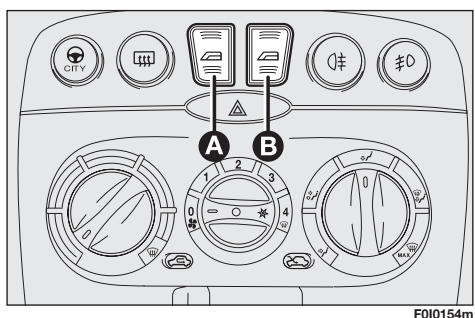
WARNING
LIGHTS AND
MESSAGES

IN AN
EMERGENCY

CAR
MAINTENANCE

TECHNICAL
SPECIFICATIONS

INDEX



F010154m

POWER WINDOWS (where provided)

CONTROLS

Power windows are controlled by two switches located on the dashboard when the key is at MAR:

- (A): to open/close the front left-hand window;
- (B): to open/close the front right-hand window;

On certain versions the following is also possible:

- to open/close front windows within about 2 minutes with key at STOP or removed (with side doors closed);
- to press button (A) for longer than half a second to activate the automatic operation of the driver's window: the window will stop when it reaches the end of its travel or until the button is pressed again.



WARNING

Improper use of the electric windows can be dangerous. Before and during their operation ensure that any passengers are not at risk from the moving glass either by personal objects getting caught in the mechanism or by being injured by it directly. Always remove the ignition key when you get out of the car to prevent the electric windows being operated accidentally and constituting a danger to the people left in the car.

BOOT

TAILGATE OPENING

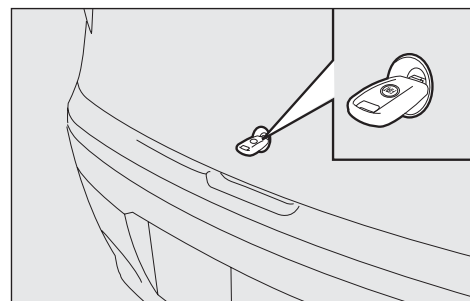
To open the tailgate from outside, turn the ignition key in the lock.

To open the tailgate from the inside, pull lever (A) next to driver's seat.

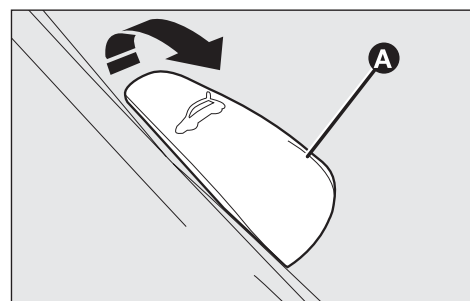
IMPORTANT Do not operate the lever (A) when the car is travelling.

Tailgate opening is facilitated by side gas shock springs.

On certain versions, opening the boot, the interior boot ceiling light will come on.



F010198m



F010090m

DASHBOARD
AND
CONTROLS

SAFETY
DEVICES

CORRECT USE
OF THE CAR

WARNING
LIGHTS AND
MESSAGES

IN AN
EMERGENCY


CAR
MAINTENANCE

TECHNICAL
SPECIFICATIONS

INDEX

TAILGATE CLOSING

To close, lower the tailgate until the lock clicks.

If the boot is not shut properly the warning light  comes on together with the message on reconfigurable multifunction display (where provided) (see “Warning lights and messages” chapter).



The addition of objects (speakers, spoilers, etc.) on the rear shelf or boot lid, except those envisaged by the manufacturer, may prevent the gas filled struts at the sides of the boot from working properly.



WARNING

When using the boot, make sure the loads you are carrying do not exceed the permitted weight (see section “Technical specifications”). Also make sure the items in the boot are arranged properly to prevent them being thrown forwards and injuring passengers should you brake sharply.



WARNING

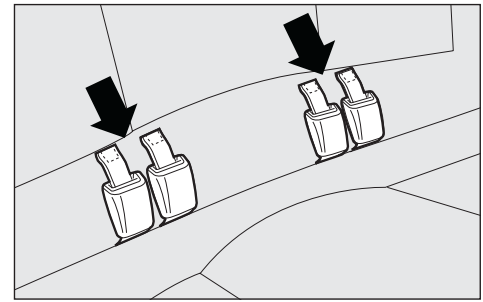
Never travel with objects on the rear shelf to prevent them being thrown forwards and injuring passengers in case of accident or sharp braking.

EXTENDING THE BOOT

Single rear seat

Proceed as follows:

- fasten the seat buckles to the tabs on the seat back (as shown by arrows);
- check that the webbing (A) of each of the two side seat belts is inserted into the respective belt guiding catch (B);
- release the seat back moving the levers (C) as shown by the arrow. Tilt it to make a single loading surface with the boot floor.

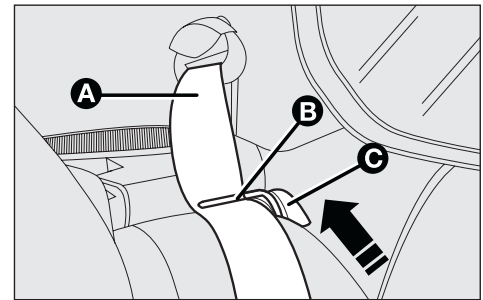


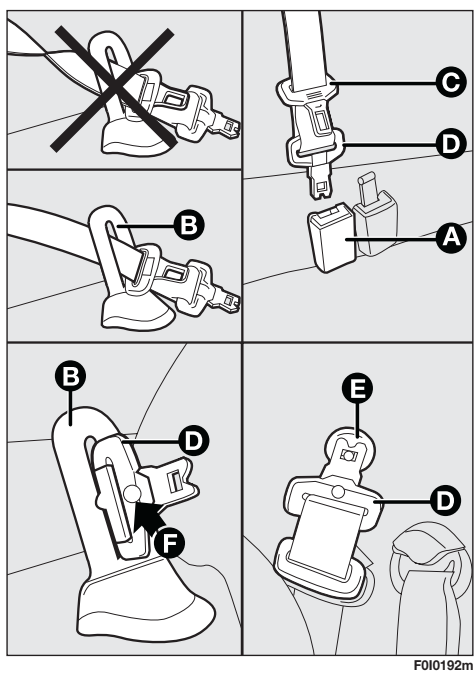
Split rear seat back (where provided)

The boot can be extended completely or partially.

For partial extension fold the required seat side; proceed as follows:

- remove the parcel shelf (see next paragraph);
- press the button by the side of the two supports and remove the head restraints by pulling them upwards;
- check that the webbing (A) of each of the two side seat belts is inserted into the respective belt guiding tongue (B);
- release the seat back moving lever (C), then tilt it.





F010192m

To fold the whole seat, lift the cushion and then tip the seat backs as described for the rear single seat.

The central three-point seat belt and reel mechanism (where fitted) can be removed as follows:

- press the black button on the buckle (A) if the seat belt is fastened;
- take the central belt slowly to the loop retainer (B) on the upper part of the seat back and remove the second tongue (C) from the loop retainer;
- remove the first tongue (D) from the loop retainer and fasten it to the specific pin (E) on the rear pillar panel;

To restore conditions for use:

- release the first tongue (D) from pin (E);
- insert the first tongue (D) in loop retainer (B) without twisting the belt. Make notch (F) on the belt tongue coincide with the respective groove on the loop retainer and insert the second tongue (C) in the loop retainer;
- pull the belt gently through loop retainer (B), and fasten the first tongue (D) in buckle (A) (grey with black button). Make the two yellow dots (one on the tongue and one on the buckle) coincide.

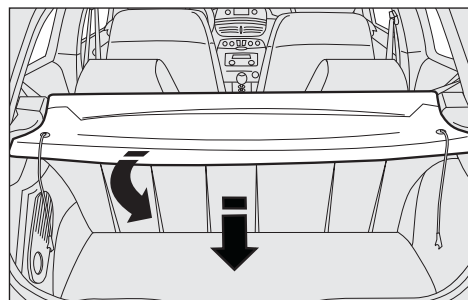
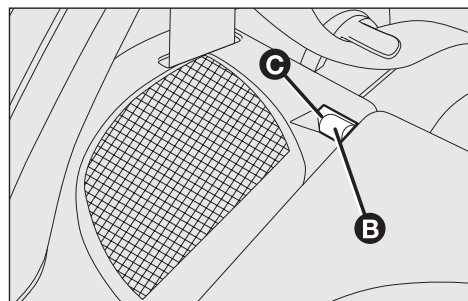
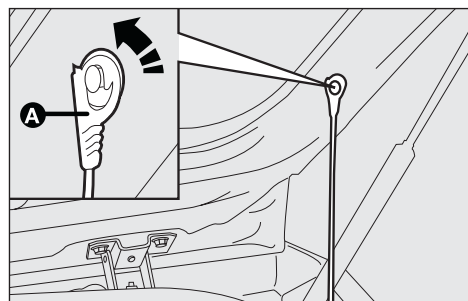
REAR WINDOW SHELF REMOVAL

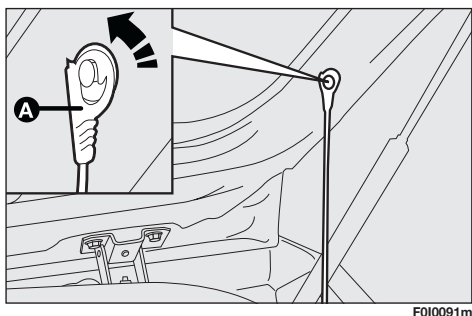
Proceed as follows:

- release the upper ends (A) of the two tie-rods by removing the eyelets;
- release the shelf eyelets (B) from their recesses (C);
- move the shelf towards the inside and turn it as shown in the figure to remove.

Once removed, the shelf can be placed sideways between the backs of the front seats and the cushion of the rear seat that has been tipped down.

IMPORTANT If there is a fairly heavy load in the boot and you are travelling at night, it is a good idea to check and adjust the height of the dipped beam headlights (see “Headlights” in this section).





RESTORING THE USE OF THE REAR SEAT

Versions with single seat

Perform operations in a reverse order with respect to what previously described for the boot extension operation. To prevent buckles from remaining positioned below the cushion, check whether the buckles are always coupled to the respective tongues located on the seat back.

Versions with split seat

Perform operations in a reverse order with respect to what previously described for the boot extension operation. To prevent buckles from remaining positioned below the cushion, couple buckles to the respective side belt branches.

For versions with lap belt, couple the belt to its buckle and keep it raised as the cushion is set back to its normal use position.

For versions with central three-point belt with reel, set the belt back to use conditions (see previous pages), paying attention that the buckles are ready for use.



When refitting the parcel shelf, fasten the two side tie-rods (A) passing them on the inside of the struts.

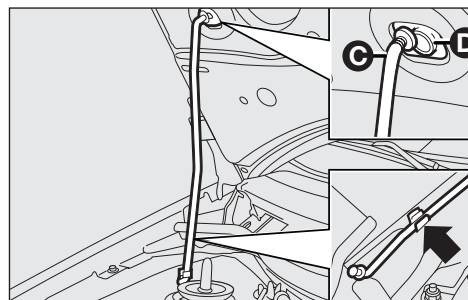
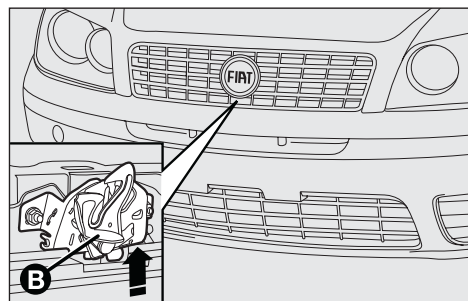
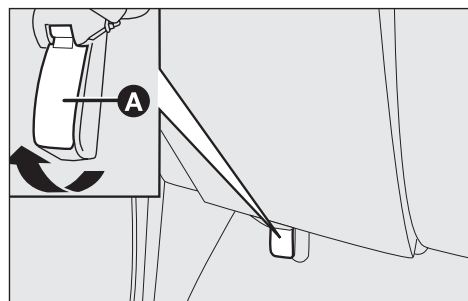
BONNET

TO OPEN THE BONNET

Proceed as follows:

- pull lever (A) in the direction of the arrow;
- press lever (B) as shown by the arrow;
- open the bonnet and release the rod (C) from its clip at the same time. Insert the end of the rod in its recess (D) on the bonnet.

IMPORTANT Before opening the bonnet, check the windscreen wiper arms are not lifted from the windscreen.




TO CLOSE THE BONNET


Proceed as follows:

- hold the bonnet up with one hand and, with the other, remove rod (C) from recess (D) replace it in its clip;
- lower the bonnet at approx. 20 cm from the engine compartment and then let it drop, ensuring that it is fully closed and not just held in position by the safety catch. If the bonnet does not close properly do not push it down but open it again and repeat the above procedure.

IMPORTANT Always check that the bonnet is closed properly to avoid its opening while the car is travelling.

 **WARNING** *For safety reasons the bonnet shall always be perfectly closed when travelling. Always check for proper bonnet locking. If the bonnet is left inadvertently open, stop the car immediately and close the bonnet.*

 **WARNING** *The bonnet might fall violently if the support rod is not positioned properly.*

 **WARNING** *Perform the above operations when the car is stationary.*

ROOF RACK/SKI RACK

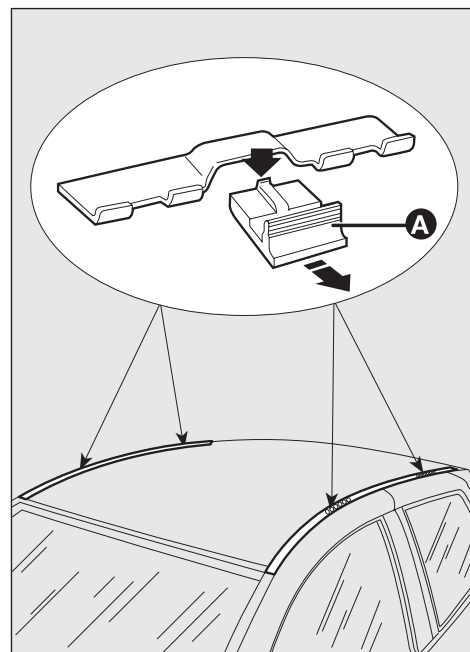
FASTENERS

3-door versions

Move the seal aside in the points shown in the figure to reach the fasteners.

The rear fasteners are in the areas indicated by the printed ▼ reference mark O on the rear side windows.

To make use of the presetting couplings, remove the retainer (A) by operating on the relevant catch as shown in the figure.



F010070m

DASHBOARD
AND
CONTROLS

SAFETY
DEVICES

CORRECT USE
OF THE CAR

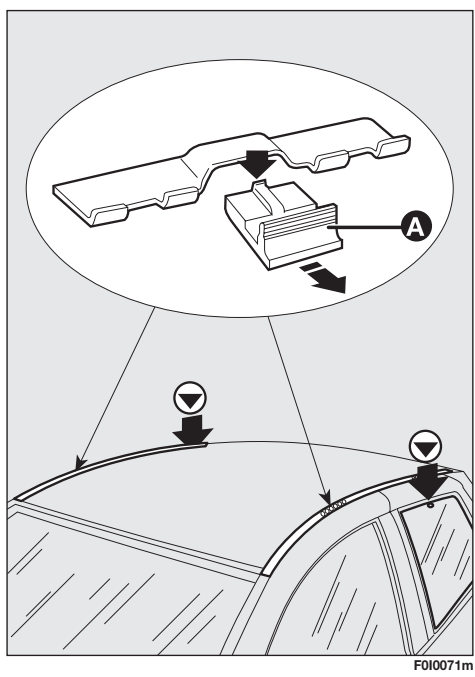
WARNING
LIGHTS AND
MESSAGES

IN AN
EMERGENCY

CAR
MAINTENANCE

TECHNICAL
SPECIFICATIONS

INDEX



F010071m

5-door versions

Move the seal aside in the points shown in the figure to reach the fasteners.

The rear fasteners are in the areas indicated by the printed reference mark ▼ on the rear side windows.

Attach the roof rack brackets to the fasteners.

To make use of the presetting couplings, remove the retainer (A) by operating on the relevant catch as shown in the figure.

After few kilometers, check that fastening screws are firmly tightened.

IMPORTANT Follow the instructions provided in the kit to the letter for both versions (3 and 5 doors).

Fitting should be entrusted to skilled personnel.

IMPORTANT Never exceed the max. permissible loads (see section “Technical specifications”).

HEADLIGHTS

ADJUSTING THE HEADLIGHT BEAM

Proper adjustment of the headlight beams is of vital importance for your safety and comfort and also for the other road users. It is also a specific regulation of the road traffic code. To ensure you and other drivers have the best visibility conditions when travelling with the headlights on, the headlights must be set properly.

Contact Fiat Dealership to have the headlights properly adjusted.

Check beam aiming every time the load carried changes.

HEADLIGHT SLANT ADJUSTING DEVICE

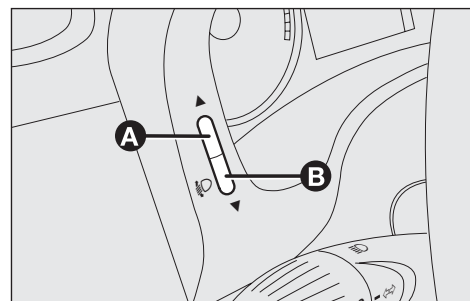
The car is fitted with electric headlight slant adjusting device working with ignition key to MAR and dipped beams on.

When the car is loaded, it slopes backwards. This means that the headlight beam rises. In this case, it is necessary to return it to the correct position.

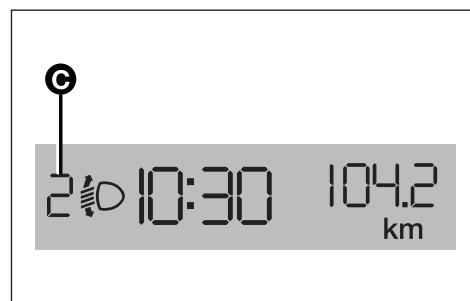
To adjust the headlight slant, proceed as follows:

- hold button (B) pressed to increase by one position (e.g.: 0 ➔ 1,1 ➔ 2,2 ➔ 3);
- hold button (A) pressed to decrease by one position (e.g.: 3 ➔ 2,2 ➔ 1,1 ➔ 0).

Each position increase corresponds to a beam slant lowering (laden car).

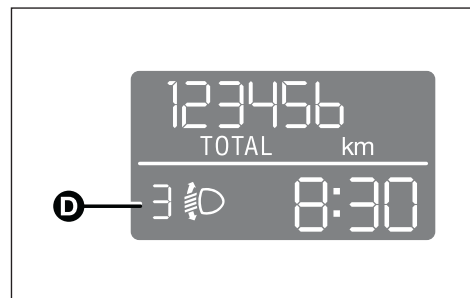


F010063m



F010263m

Digital display



F010264m

Multifunction display

DASHBOARD
AND
CONTROLS

SAFETY
DEVICES

CORRECT USE
OF THE CAR

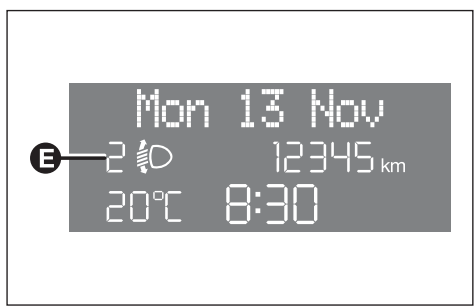
WARNING
LIGHTS AND
MESSAGES

IN AN
EMERGENCY

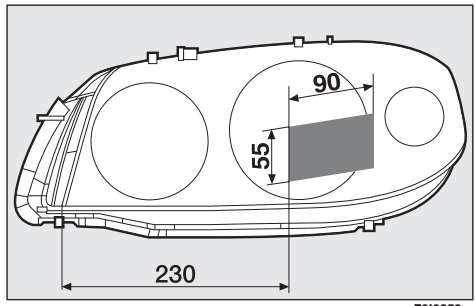
CAR
MAINTENANCE

TECHNICAL
SPECIFICATIONS

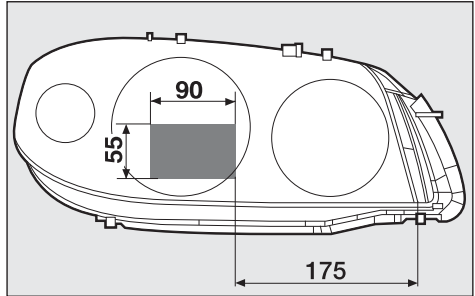
INDEX



Reconfigurable multifunction display F011198g



F010259m



F010260m

Correct positions as a function of the load

- Position 0 - one or two people occupying the front seats.
 - Position 1 - five people.
 - Position 2 - five people + load in the boot.
 - Position 3 - driver + maximum permissible load stowed in the boot.
- IMPORTANT** Check beam aiming every time the load carried changes.

HEADLIGHT ADJUSTMENT ABROAD

The dipped beam headlights are adjusted for circulation in the country in which the vehicle is marketed. In countries with opposite circulation, to avoid glaring oncoming vehicles it is necessary to cover the areas of the headlight as shown below; this is done using non-transparent sticker tape. Figures refer to passing from right-hand drive to left-hand drive.

ABS SYSTEM (where provided)

The car is fitted with an ABS braking system, which prevents the wheels from locking when braking, makes the most of road grip and gives the best control when emergency braking under difficult road conditions.

System is completed by EBD (Electronic Braking Force Distribution), which distributes the braking action between front and rear wheels.

If the ABS system cuts in it is a sign that the grip between the tyre and the road surface has reached the limit: you must slow down to match the speed to the road grip available.

IMPORTANT To have the maximum efficiency of the braking system, it is necessary a setting period of about 500 km: during this period, it is better to avoid sharp, repeated and prolonged brakes.

ABS INTERVENTION

When braking a slight pulsing accompanied by noise may be felt on the brake pedal due to the action of the ABS system.



WARNING

The ABS exploits the tyre-road grip at the best, but it cannot improve it; you should therefore take every care when driving on slippery surfaces without taking unnecessary risks.




WARNING

When the ABS cuts in, and you feel the brake pedal pulsating, do not remove your foot, but keep it pressed; in doing so you will stop in the shortest amount of space possible under the current road conditions.



FAILURE WARNINGS

ABS failure



If warning light  lights up together with the message on the reconfigurable multifunction display (where provided) (see section “Warning lights and messages”) this indicates a fault in the ABS system.

In this case the braking system will still be effective, although without the anti-lock device. Drive carefully to the nearest Fiat Dealership to have the system checked.

EBD failure

If warning lights  and  light up together with the message on the reconfigurable multifunction display (where provided) (see section “Warning lights and messages”) this indicates a fault in the EBD system.

In this case with sharp braking the rear wheels might lock too early, with the possibility of skidding. Drive extremely carefully to the nearest Fiat Dealership to have the system checked.


 **WARNING** *If the warning light  comes on together with the message on the reconfigurable multifunction display, stop the car immediately and contact the nearest Fiat Dealership. Fluid leaks from the hydraulic system, in fact, can compromise the braking system, both traditional systems and systems with ABS.*

ESP SYSTEM (Electronic Stability Program) (where provided)

The ESP system is an electronic system controlling the car stability in the event of tyre grip loss.

The ESP system is therefore particularly useful when grip conditions of the road surfaces changes.


ABS INTERVENTION

It is signalled by the blinking of the warning light  on the instrument panel, to inform the driver that the car is in critical stability and grip conditions.

EPS SYSTEM OPERATION

The ESP system is automatically inserted when the car is started and cannot be de-activated.

FAILURE WARNINGS

In the event of failure, the ESP system is automatically disconnected and the instrument panel warning light  will come on with fixed light together with the message on the reconfigurable multifunction display (where provided) (see section “Warning lights and messages”) and with the ASR OFF button led. In this case contact a Fiat Dealership as soon as possible.

HILL HOLDER SYSTEM (where provided)

It is an integral part of the ESP system and facilitates starting on an uphill slope. It is automatically activated in the following conditions:

- Uphill: vehicle stationary on a road with gradient above 2%, engine running, clutch and brake pedals pressed and gearbox in neutral position or gear engaged (reverse excluded);
- Downhill: stationary on a road with gradient above 2%, engine running, clutch and brake pedals pressed and reverse engaged.




WARNING

The performance of the ESP system, in terms of active safety should not induce the driver to take pointless and unnecessary risks. The style of driving must in any case always be adapted to the conditions of the road surface, visibility and traffic. Road safety is always the driver's responsibility.


At pickup, the ESP system control unit keeps braking power against wheels until reaching the engine torque required for starting (in any case for max. 2 seconds), thus enabling to move the right foot friendly from the brake pedal to the accelerator.


Passing 2 seconds without starting, the system will deactivate automatically and braking power will be gradually released. At release stage, typical mechanical brake release sound (indicating that the car is going to move) can be heard.

Failure warnings

System failure is indicated by warning light  and relevant message on the reconfigurable multifunction display (where required) (see section “Warning lights and messages”).

IMPORTANT The Hill Holder system is not a parking brake therefore, never leave the car without having engaged the handbrake, turned the engine off and engaged the first speed.

 **WARNING** *During the use of the spare wheel, the ESP system carries on working. However, you must remind that the spare wheel presents dimensions smaller than the standard tyre and therefore its grip is reduced as to the other car tyres.*

 **WARNING** *For correct operation of ESP and ASR systems, the tyres must absolutely be of the same brand and type on all wheels, in perfect conditions and, above all, of type, brand and size specified.*

ASR SYSTEM (Antislip Regulation)

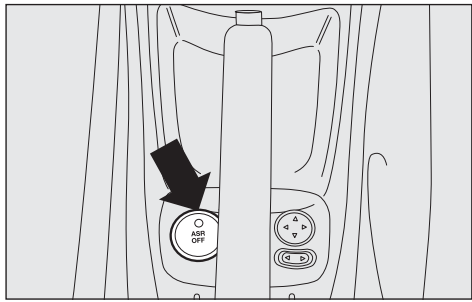
It's a function of ESP system and controls the vehicle drive and cuts in automatically every time one or both driving wheels slip.

In slipping conditions, two different control systems are activated:

- if the slipping involves both the driving wheels, the ASR function intervenes reducing the power transmitted by the engine;
- if the slipping involves only one driving wheel, the ASR system cuts in automatically braking the wheel that is slipping.

The action of the ASR is particularly helpful in the following circumstances:

- slipping of the inner wheel due to the effect of dynamic load changes or excessive acceleration;
- too much power transmitted to the wheels also in relation to the conditions of the road surface;
- acceleration on slippery, snowy or frozen surfaces;
- in the case of loss of grip on a wet surface (aquaplaning).



SWITCHING ON/OFF OF THE ASR SYSTEM

The ASR function switches on automatically each time the engine is started.

When travelling the device can be switched off and on again pressing switch ASR OFF on the centre console.

Switching on is indicated by the relevant message on the reconfigurable multifunction display (where provided) (see section “Warning lights and messages”).

When the device is switched off this is shown by the lighting up of the led on the ASR OFF button and by the message on the reconfigurable multifunction display (see section “Warning lights and messages”). If the ASR function is switched off when travelling, it will turn on again automatically the next time the engine is started

When travelling on snow with snow chains, it may be helpful to turn the ASR device off: in fact, in these conditions, slipping of the driving wheels when moving off makes it possible to obtain better drive.




WARNING

The performance of the system, in terms of active safety should not induce the driver to take pointless and unnecessary risks. The style of driving must in any case always be adapted to the conditions of the road surface, visibility an traffic. Road safety is always the driver’s responsibility.

EOBD SYSTEM

The EOBD system (European On Board Diagnosis) allows continuous diagnosis of the components of the car correlated with emissions.

It also alerts the driver, by the turning on of the warning light  on the instrument panel together with the message on the reconfigurable multifunction display (where required) (see section “Warning lights and messages”), when these conditions are no longer in peak conditions.



The objective is:

- to keep system efficiency under control;
- warn when a fault causes emission levels to increase;
- warn of the need to replace deteriorated components.

The system has a diagnostic connector that can be interfaced with appropriate tools, which makes it possible to read the error codes stored in the control unit, together with a series of specific parameters for engine operation and diagnosis. This check can also be performed by traffic controller agents.

IMPORTANT After eliminating the inconvenience, to check the system completely, Fiat Dealership is obliged to run a bench test and, if necessary, road tests which may also call for a long journey.



If turning the ignition key to MAR, the warning light  does not turn on or if, while travelling it turns on glowing steadily or flashing together with the message on the reconfigurable multifunction display (where required), contact Fiat Dealership as soon as possible. Warning light  operation can be checked by means of special equipment. Always comply with the traffic regulations in force in the country where you are travelling.

- DASHBOARD AND CONTROLS
- SAFETY DEVICES
- CORRECT USE OF THE CAR
- WARNING LIGHTS AND MESSAGES
- IN AN EMERGENCY
- CAR MAINTENANCE
- TECHNICAL SPECIFICATIONS
- INDEX

SOUND SYSTEM (where provided)

Large oddment compartments in the dashboard and doors which make the passenger compartment even more comfortable can be found in cars not equipped with a sound system set-up.

A specific kit can be found in the Lineaccessori Fiat range for a “Sound system set-up” in the car.

As concerns sound systems consisting of radio with tapes player or Compact Disc/MP3 CD player (where provided), see the Supplement annexed to this Owner Handbook.

SOUND SYSTEM SET-UP (where provided)

The system consists of: sound system power wires, front and rear speaker power wires, aerial and respective power wire four front door speakers (2 tweeters and 2 woofers) two rear full-range speakers.

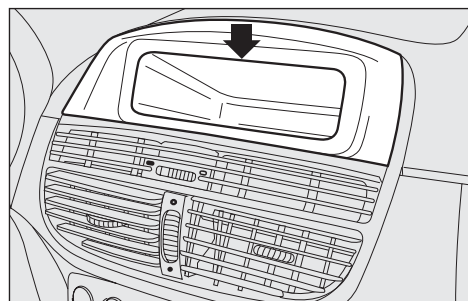
Speakers

- n. two tweeters, 40W max power each;
- n. two front woofers, 165 mm diameter, 40W max power each;
- n. two rear full-range speakers, 100 mm diameter, 30W max power each;

Sound system installation

Replace the compartment shown in the figure with the plate provided with the optional “Sound system set-up” in the boot to install the sound system.

To remove the compartment which is clipped into place, insert your hand in the compartment, press downwards and pull it out towards the inside of the car. Fit the compartment provided by clipping it into place. Then locate the electrical connection power wires.



F010193m

DASHBOARD
AND
CONTROLS

SAFETY
DEVICES

CORRECT USE
OF THE CAR

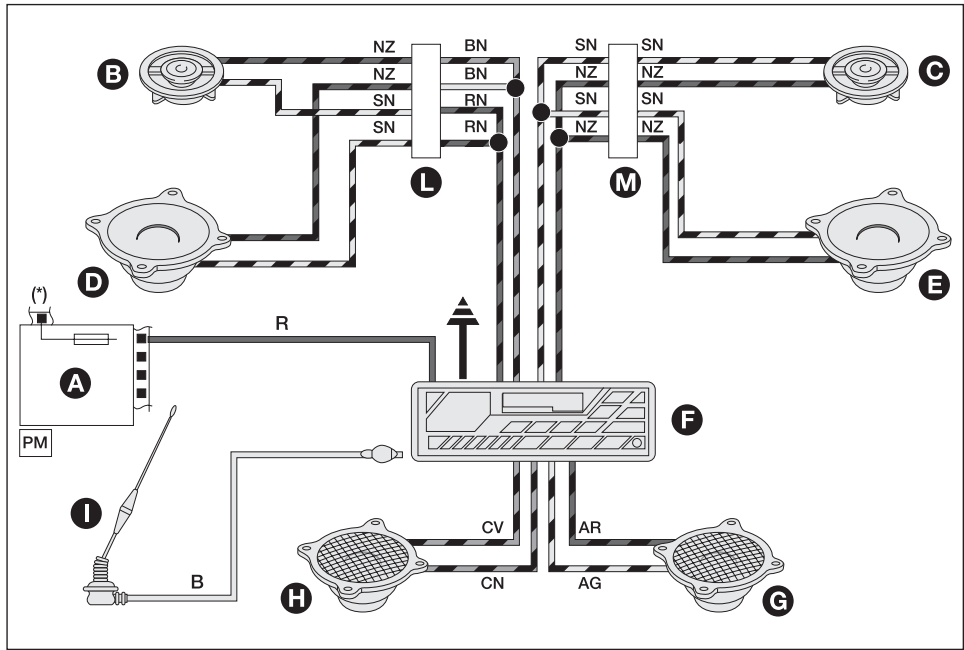
WARNING
LIGHTS AND
MESSAGES

IN AN
EMERGENCY

CAR
MAINTENANCE

TECHNICAL
SPECIFICATIONS

INDEX



Wiring diagram and additional branches

- A. Fuse box
- B. Tweeter on front left-hand door
- C. Tweeter on front right-hand door
- D. Woofer on front left-hand door
- E. Woofer on front right-hand door
- F. Radio
- G. Rear left-hand full-range speaker
- H. Rear left-hand full-left speaker
- I. Aerial
- L. Connection on front left-hand door
- M. Connection on front right-hand door

Wire colour coding:
 B = White
 N = Black
 R = Red
 AG = Light blue/Yellow
 AR = Light blue/Red

BN = White/Black
 CN = Orange/Black
 CV = Orange/Green
 NZ = Black/Purple
 RN = Red/Black
 SN = Pink/Black

F010033m

CELLULAR PHONE SET-UP (where provided)

The system set-up, combined with radio with tape player, CD player, MP3 CD player or Navigator, consists of:

- dual-purpose aerial (sound system + cellular phone 900/1800 MHz), on the car roof;
- dual-purpose connection wires and ten-pin connector wiring.

The connector is located between the steering column and the central console.

Cellular phone set-up combined with sound system set-up, consists of:

- dual-purpose aerial (sound system + cellular phone 900/1800 MHz), on the car roof;
- dual-purpose speaker (sound system + cellular phone), on passenger's door;
- dual-purpose connection wires and ten-pin connector wiring.

The connector is located between the steering column and the central console.



The hands-free telephone you purchase will need to be compatible with your cellular telephone.



WARNING

The maximum power applicable to the aerial is 20W.

DASHBOARD
AND
CONTROLS

SAFETY
DEVICES

CORRECT USE
OF THE CAR

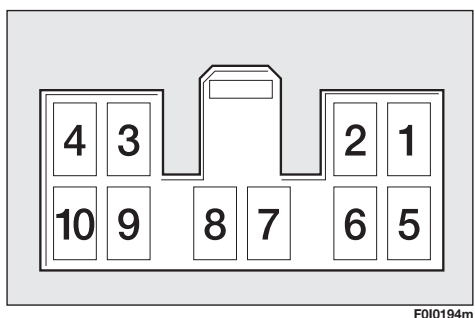
WARNING
LIGHTS AND
MESSAGES

IN AN
EMERGENCY

CAR
MAINTENANCE

TECHNICAL
SPECIFICATIONS

INDEX



F010194m

The wiring diagram is the following:

- 1 Sound system MUTE function
- 2 Spare
- 3 Cellular phone INPUT earth signal (*)
- 4 Cellular phone INPUT signal (*)
- 5 Dual-purpose speaker on passenger's door (+) (**)
- 6 Dual-purpose speaker on passenger's door (-) (**)
- 7 Ignition switch power (+15)
- 8 Spare
- 9 Battery power (+)
- 10 Earth

(*) Sound system with tape player, CD player, MP3 CD player or Navigator.
 (**) Sound-system set-up.

We recommend installing the microphone near the front ceiling light.



Have the cellular telephone and the connections to the system installed by a Fiat Dealership only. This will ensure the best results and prevent problems which could affect the car safety.

ACCESSORIES PURCHASED BY THE OWNER

If after buying the car, you decide to install electrical accessories that require a permanent electric supply (alarm, satellite antitheft system, etc.) or accessories that in any case burden the electric supply, contact Fiat Dealership, whose qualified personnel, besides suggesting the most suitable devices belonging to Lineaccessori Fiat, will also evaluate the overall electric absorption, checking whether the car's electric system is able to withstand the load required, or whether it needs to be integrated with a more powerful battery.

INSTALLATION OF ELECTRIC/ELECTRONIC DEVICES

Electric/electronic devices installed after buying the car or in aftermarket shall bear the and marking:



Fiat Auto S.p.A. authorizes the installation of transceivers provided that installation is carried out at a specialized shop, workmanlike performed and in compliance with manufacturer's specifications.

IMPORTANT Installation of devices resulting in modifications of car characteristics may cause driving

license seizing by traffic agents and also the lapse of the warranty as concerns defects due to the abovementioned modification or traceable back to it directly or indirectly.

Fiat Auto S.p.A. declines all responsibility for damages caused by the installation of non-genuine accessories or not recommended by Fiat Auto S.p.A. and installed not in compliance with the specified requirements.

RADIO TRANSMITTERS AND CELLULAR TELEPHONES

Radio transceiver equipment (e.g.: e-tacs mobile phones, HAM radio systems and the like) shall not be used inside the vehicle unless a separate aerial is mounted on the roof.

IMPORTANT The use of similar devices inside the passenger compartment (without separated aerial) produces radio-frequency electromagnetic fields which, amplified by the resonance effects inside the passenger compartment, may cause electrical systems equipping the vehicle to malfunction. This could compromise safety in addition to constituting a potential hazard for the passengers.

In addition, transmission and reception of these devices may be affected by the shielding effect of the vehicle body. As concerns EC-approved mobile phones (GSM, GPRS, UMTS), strictly comply with the instructions for use provided by the mobile phone's manufacturer.



WARNING

Take care when fitting additional spoilers, alloy rims and non-standard wheel caps: they might reduce ventilation of the brakes, thus their efficiency, during abrupt and repeated braking, or long downhill slopes. Make sure that nothing (mats, etc.) gets in the way of the pedals when they are pushed down.

DASHBOARD AND CONTROLS

SAFETY DEVICES

CORRECT USE OF THE CAR

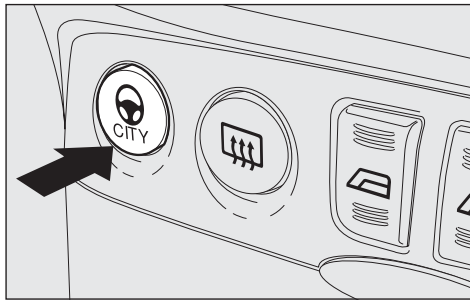
WARNING LIGHTS AND MESSAGES

IN AN EMERGENCY

CAR MAINTENANCE

TECHNICAL SPECIFICATIONS

INDEX



F010104m

“DUALDRIVE” ELECTRIC POWER STEERING SYSTEM (where provided)

The electric power steering only works when the ignition key is at MAR and the engine is running. A new electrically controlled power steering system called “Dualdrive” is fitted on the Fiat Punto that can be customised by the driver according to the driving conditions.

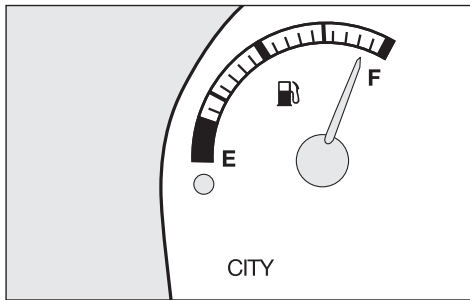
ACTIVATION/DEACTIVATION (CITY function)

To connect/disconnect the CITY function, push the button located on the central tunnel .

Activation of this function is indicated by the word CITY on the instrument panel (see figures beside).

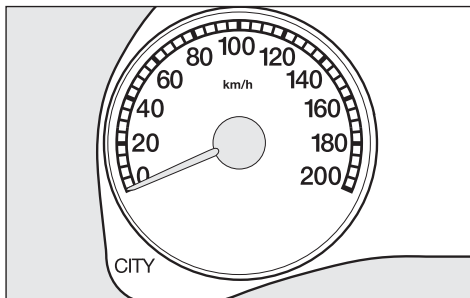
When the CITY function is on the steering wheel effort is lighter and thus parking operations are easier: therefore this function is particularly useful for driving in city centres.

Additionally, in Sporting versions, this function ensures a more comfortable drive by gradually dosing the accelerator pedal, suitably calibrated for acceleration and deceleration.



F010265m


Versions with digital display




F010266m


Versions with multifunction display and reconfigurable multifunction display

FAILURE WARNING LIGHTS

Any failure is indicated by cluster warning light  coming on together with the message on the reconfigurable multifunction display (where required) (see section “Warning lights and messages”).

In the event of electric power steering system failure, the car can be driven with mechanical steering.

IMPORTANT In some circumstances, factors independent from the electric power steering could cause the illumination of the warning light  on the cluster.

We suggest to stop immediately the car, turn off the engine for about 20 seconds and then re-start the car. If the warning light  stays on together with the message on the reconfigurable multifunction display (where required), contact Fiat Dealership.

IMPORTANT The steering may become slightly stiff following parking manoeuvres including a great deal of steering. This is normal and caused by a system to prevent motor overheating. No servicing is required. The electrical power steering system will return to normal operation the next time the car is used.



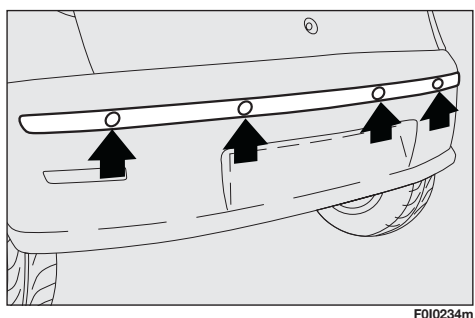
WARNING

It is absolutely forbidden to carry out whatever after-market operation involving steering system or steering column modifications (e.g.: installation of anti-theft device) that could badly affect performance and safety, cause the lapse of warranty and also result in non-compliance of the car with homologation requirements.



WARNING

Always switch the engine off, remove the key from the starting device and actuate the steering lock before carrying out any maintenance operation, especially when the wheels are raised from the ground. In case this is not possible (e.g. when the key must be in MAR position or the engine running), remove the electric power steering main fuse before carrying out any maintenance operation.



PARKING SENSORS (where provided)

The parking system detects and informs the driver (through an intermittent acoustic signal) about the presence of obstacles in the rear part of the car.

ACTIVATION

The sensors are automatically activated when the reverse gear is engaged.

The sound produced by the acoustic alarm becomes louder when the distance between the car and the obstacle decreases.

BUZZER WARNINGS

When the reverse gear is engaged a short acoustic signal is automatically activated.

When an obstacle is detected an intermittent buzzer will sound ad follows:

- the sound frequency increases as the obstacle gets nearer;
- when the obstacle is t distance of less that 30 cm from the car, a continous sound is emitted;
- sound is constant if the distance between car and obstacle is unvaried.

Direction distances

Central action radius 120 cm

Side action radius 60 cm

If several obstacles are detected, the control unit indicates the nearest one.

FAILURE WARNINGS

In case of parking sensor failure, the driver is warned when engaging reverse by high sound warning (for 3 seconds).

OPERATION WITH TRAILER

The system is preset for deactivating automatically when the trailer electric cable plug is fitted into the car tow hook socket.

Sensors are reactivated when removing the trailer cable plug.



For proper operation, the parking sensors set on the bumpers shall be clean from mud, dirt, snow or ice. When cleaning the sensors, take the utmost care to prevent their damaging; do not use therefore dry or rough clothes. Sensors shall be washed with clean water and car detergent, if required. In washing stations, clean sensors quickly keeping the vapour jet/high pressure washing nozzles at 10 cm at least from the sensors.

**WARNING**

Parking manoeuvres however are always under the driver's responsibility. He/she shall always check the absence of people (specially children) or animals in the manoeuvre space. This system is just a help for the driver but he shall never reduce attention during dangerous manoeuvres even if performed at low speed.

GENERAL WARNINGS

- When parking, take the utmost care to obstacles set above or under the sensors.
- Objects set close to the car front or rear part, under certain circumstances are not detected and could therefore cause damages to the car.
- Indications sent by the sensors can be altered by dirt, snow or ice deposited on the sensors or by ultrasound systems (e.g.: truck pneumatic brakes or pneumatic hammers) set nearby the car.

AT THE FILLING STATION

PETROL ENGINES

Use only unleaded petrol.

To prevent errors, the diameter of the fuel tank filler is too small to introduce a lead petrol pump filler. Use petrol with a rated octane number (R.O.N.) not lower than 95.

IMPORTANT An inefficient catalyst leads to harmful exhaust emissions, thus contributing to air pollution.

IMPORTANT Never use leaded petrol, even in small amount or in an emergency, as this would damage the catalyst beyond repair.

DIESEL ENGINES

If the outside temperature is very low, the diesel thickens due to the formation of paraffins and could clog the diesel fuel filter.

In order to avoid these problems, different types of diesel are distributed according to the season: summer type, winter type arctic type (mountains/cold areas).

If refuelling with diesel fuel not suitable for the current temperature, mix diesel fuel with TUTELA DIESEL ART additive in the proportions stated on the can, putting first the antifreeze in the tank and then the diesel fuel.

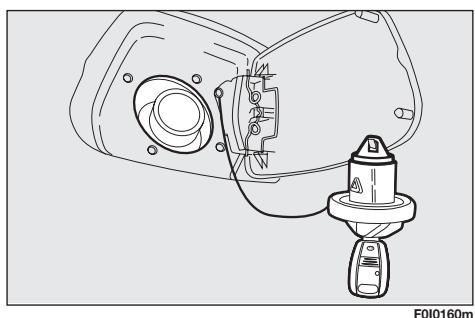
Refuel with local diesel fuel if the car is used/parked in the mountains or in cold areas for a long period. In this event you are recommended to keep an amount of fuel higher than 50% in the tank.

REFUELLING

To ensure full tank refuelling, carry out two top-up operations once the delivery gun has turned off twice. Avoid further top-up operations which could cause faults in the fuel system.



The car must only be filled with diesel fuel for motor vehicles, in compliance with European Specification EN590. The use of other products or mixtures may irreparably damage the engine with invalidation of the warranty due to the damage caused. In the event of accidentally filling with another type of fuel, do not start the engine and empty the tank. If the engine has been run even for only a very short time, in addition to the tank, it is also necessary to drain out the whole fuel circuit.



F010160m

FUEL FILLER CAP

To open the cap, turn it anticlockwise and then remove it.

During refuelling, secure the cap to the anti-loss device on the flap as shown in the figure.

On certain versions the cap has a keylock: to open it proceed as described below.

Opening the cap with keylock (where provided)

Proceed as follows:

- hold the cap still and turn the ignition key anticlockwise;
- turn the cap by approximately half a turn anticlockwise and remove it.

The airtight seal of the cap may lead to a slight increase of pressure in the tank. A hissing sound when the cap is removed is therefore quite normal.

When refuelling, position the cap on the flap as shown in the figure.



WARNING

Do not put naked flames or lighted cigarettes near the fuel filler hole: danger of fire. Do not bend too close to the hole either so as not to breathe in harmful vapours.

Locking the cap with keylock (where provided)

Proceed as follows:

- insert the cap (with the key) and turn it clockwise until it clicks once or more;
- turn the key clockwise and remove it. Close the flap.

PROTECTING THE ENVIRONMENT

The devices for curtailing petrol engine emissions are the following:

- three-way catalytic converter;
- Lambda sensor;
- fuel evaporation system.

In addition, do not let the engine run, even for a test, with one or more spark plugs disconnected.

The devices for curtailing diesel fuel engine emissions are the following:

- oxidising catalytic converter;
- exhaust gas recirculation system (E.G.R.).



WARNING

During operation of the catalytic converter it releases high temperatures. Therefore, do not park the car over inflammable material (grass, dry leaves, pine needles, etc.): fire danger.

SAFETY DEVICES

SEAT BELTS.....	135
PRETENSIONERS	139
CARRYING CHILDREN SAFELY	143
FRONT AND SIDE AIR BAGS.....	149
SIDE AIR BAGS (Side bag - Front Window bag)	153

SEAT BELTS

USING THE SEAT BELTS

The belt should be worn keeping the chest straight and rested against the seat back.

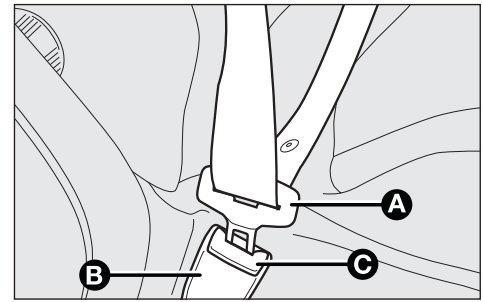
To fasten the belt, take hold the tongue (A) and insert it into the buckle (B), until hearing the locking click.

At removal, if it jams, let it rewind for a short stretch, then pull it out again without jerking.

To unfasten the seat belts, press button (C). Guide the seat belt with your hand while it is rewinding, to prevent it from twisting.

Through the reel, the belt automatically adapts to the body of the passenger wearing it, allowing freedom of movement.

When the car is parked on a steep slope the reel mechanism may block; this is normal. The reel mechanism prevents the webbing coming out when it is jerked or if the car brakes sharply, in a collision or when cornering at high speeds.



WARNING

Never press button (C) when travelling.

DASHBOARD
AND
CONTROLS

SAFETY
DEVICES

CORRECT USE
OF THE CAR

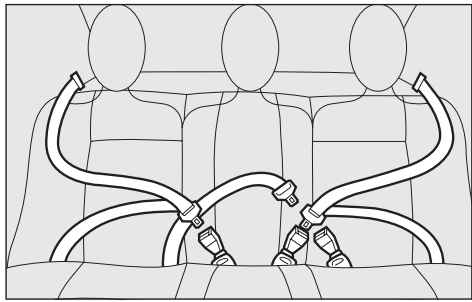
WARNING
LIGHTS AND
MESSAGES

IN AN
EMERGENCY

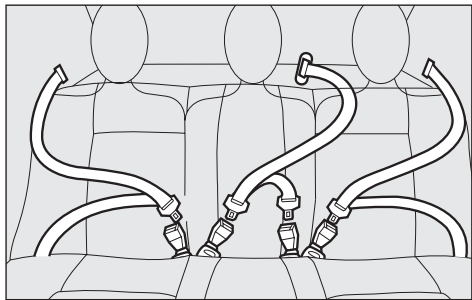
CAR
MAINTENANCE

TECHNICAL
SPECIFICATIONS

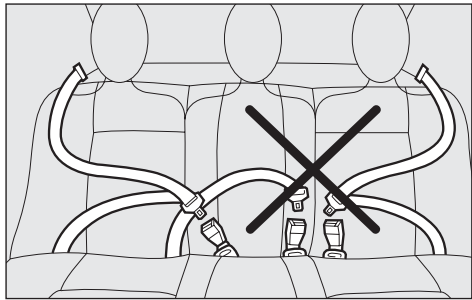
INDEX



F010017m



F010252m



F010018m

The rear seat is fitted with inertial seat belts with three anchor points and reel for the side seats and adjustable lap belt with two anchor points for the centre seat.

On certain versions the rear centre seat is fitted with seat belt with three anchor points and reel.

In order to avoid incorrect fastening, the tabs of the side seats and the buckle of the centre lap belt are incompatible.

Rear seat belts shall be worn as shown in the figure. To fold the seat back, see paragraph “Extending the boot” in section “Dashboard and controls”.

IMPORTANT Remember that in the event of a violent collision, back seat passengers not wearing seat belts also represent a serious danger for the front seat passengers.

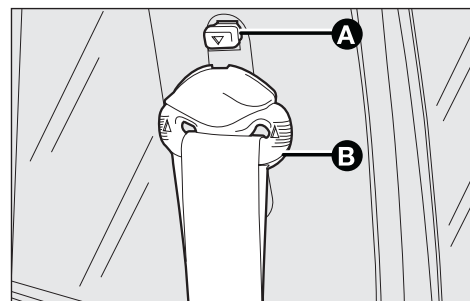
FRONT SEAT BELT HEIGHT ADJUSTMENT

Always adjust the height of the seat belt to fit the person wearing it. This precaution could greatly reduce the risk of injury in case of collision.

Correct adjustment is obtained when the belt passes half way between the end of the shoulder and the neck.

Four different adjustments in height are provided.

To adjust, press button (A) and lower or raise the grip (B).



F010057m



WARNING

Make the height adjustment when the car is stationary.



WARNING

After adjustment, always check that the slider is anchored in one of the positions provided. To do this, with the button (A) released, exert a further pressure to allow the anchor device to catch if release did not take place at one of the preset positions.

DASHBOARD
AND
CONTROLS

SAFETY
DEVICES

CORRECT USE
OF THE CAR

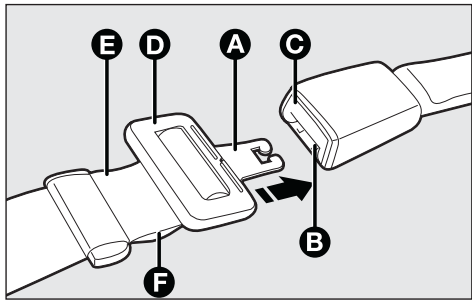
WARNING
LIGHTS AND
MESSAGES

IN AN
EMERGENCY

CAR
MAINTENANCE

TECHNICAL
SPECIFICATIONS

INDEX



F010170m

USING THE REAR CENTRAL SEAT BELT

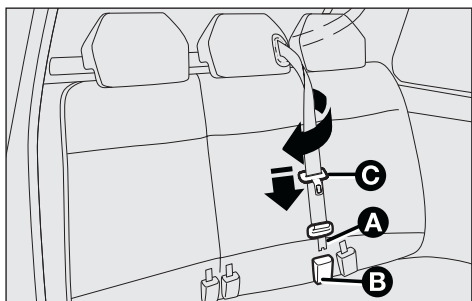
Seat belt without reel mechanism

To fasten the seat belt: insert the tongue (A) into the buckle (B), until you hear it click.

To unfasten the seat belt: press button (C).

To adjust the belt: slide the webbing in adjuster (D). Pull length (E) to tighten the belt and length (F) to loosen it.

IMPORTANT The belt is adjusted properly when it fits closely across the hips.



F010184m

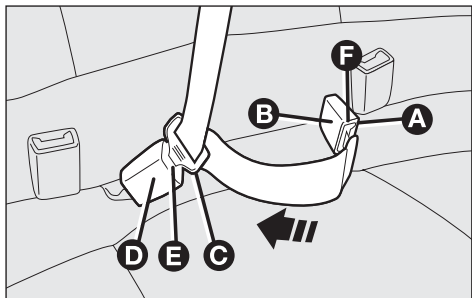
Seat belt with three anchor points and reel mechanism

The seat belt has two webbings and a double buckle.

To fasten the seat belt: pull the webbing from your reel gently. Slide the webbing carefully through the retainer by the side of the head restraint without twisting it. Then fasten tongue (A) in buckle (B) (grey with a black button) making the two yellow spot references coincide (one on the tongue and one on the buckle).

Slide out more webbing and insert tongue (C) in buckle (D) (grey with red button).

To unfasten the seat belt: press button (E) and lead the webbing to buckle (B). Then press button (F) (black).



F010185m

PRETENSIONERS

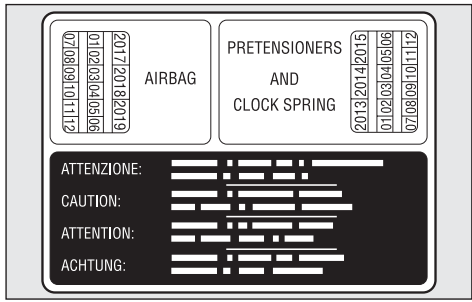
To increase the efficiency of the front seat belts, the Fiat Punto is fitted with pretensioners. These devices “feel”, through a sensor, that a violent crash is in progress and rewind the seat belts a few centimetres. In this way they ensure that the seat belt adheres perfectly to the wearer before the restraining action begins.

The seat belt locks to indicate that the device has intervened; the seat belt cannot be drawn back up even when guiding it manually.

IMPORTANT To obtain the highest degree of protection from the action of the pretensioning device, wear the seat belt keeping it firmly close to the chest and pelvis.


Front seat pretensioners activate only if front seat belts are properly fitted into buckles.


A small amount of smoke may be produced. This smoke is in no way toxic and presents no fire hazard.



F010262m

The pretensioner does not require any maintenance or greasing. Anything that modifies its original conditions invalidates its efficiency. If due to unusual natural events (floods, seas storm, etc.) the device has been affected by water and mud, it must necessarily be replaced.

 **WARNING** *The pretensioner can only be used once. After a collision that has triggered it, have it replaced at a Fiat Dealership. The validity of the device is written on the plate located in the glove compartment. Contact Fiat Dealership to have pretensioners replaced as this date approaches.*

 *Operations which lead to knocks, vibrations or localised heating (over 100°C for a maximum of 6 hours) in the area around the pretensioners may cause damage or trigger them. These devices are not affected by vibrations caused by irregularities of the road surface or low obstacles such as kerbs, etc. Contact a Fiat Dealership for any assistance.*

LOAD LIMITERS

To increase passenger's safety, front and rear (where provided) seat belt reels contain a load limiter which allows controlled sag in such a way as to dose the force acting on the shoulders during the belt restraining action in case of front crash.

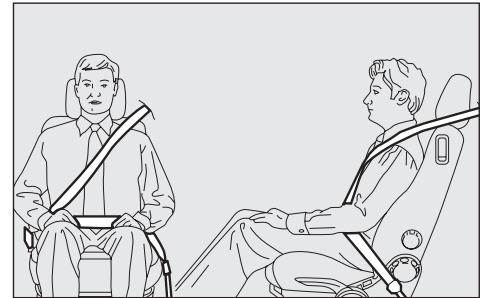
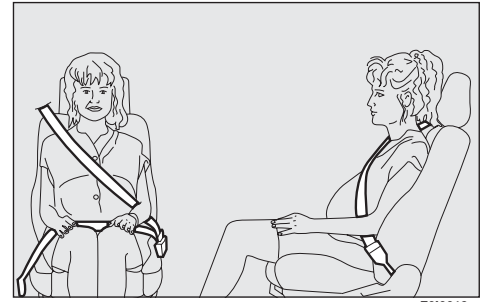
GENERAL INSTRUCTIONS FOR USING THE SEAT BELTS

The driver must comply with (and have the vehicle occupants follow) all the local legal regulations concerning the use of seat belts.

Always fasten the seat belts before starting.

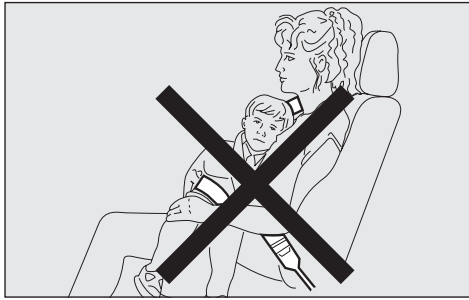
Seat belts are also to be worn by expectant mothers: the risk of injury in the case of accident is greatly reduced for them and the unborn child if they are wearing a seat belt. Of course they must position the lower part of the belt very low down so that it passes under the abdomen (as illustrated in the figure).

IMPORTANT The belt should not be twisted. The upper part should pass over the shoulder and cross the chest diagonally. The lower part should adhere to the pelvis and to the abdomen of the passenger (as illustrated in the figure). Do not use any objects (pegs, stoppers, etc.) to keep the belts away from the body.



WARNING

For maximum safety, keep the back of your seat upright, lean back into it and make sure the seat belt fits closely across your chest and hips. Make sure that the seat belts of the front and rear passengers are fastened at all times! You increase the risk of serious injury or death in a collision if you travel with the belts unfastened.



F010021m

IMPORTANT Never travel with a child sitting on the passenger's lap with a single belt to protect them both. Do not fasten other objects to the body.

**WARNING**

Under no circumstances should the components of the seat belts and pretensioners be tampered with or removed. Any operation should be carried out by qualified and authorised personnel. Always contact a Fiat Dealership.

**WARNING**

If the belt has been subjected to heavy stress, for example after an accident, it should be changed completely together with the anchors, anchor fastening screws and the pretensioners. In fact, even if the belt has no visible defects, it could have lost its resilience.

HOW TO KEEP THE SEAT BELTS ALWAYS IN EFFICIENT CONDITIONS

Observe the following:

- Always use the belt with the tape taut and never twisted; make sure that it is free to run without impediments;
- After a serious accident, replace the belt being worn at that time, even if it does not appear damaged. Always replace the seat belts if pretensioners have been activated;
- To clean the belts, wash by hand with neutral soap, rinse and leave to dry in the shade. Never use strong detergents, bleach or dyes or other chemical substance that might weaken the fibres;
- Prevent the reels from getting wet: their correct operation is only guaranteed if water does not get inside;
- Replace the seat belt when showing significant wear or cut signs.

CARRYING CHILDREN SAFELY

For optimal protection in the event of a crash, all passengers must be seated and wearing adequate restraint systems.

This is even more important for children.

According to 2003/20/EC Directive, this prescription is compulsory for all European Community countries.

Compared with adults, their head is proportionally larger and heavier than the rest of the body, while the muscles and bone structure are not completely developed. Therefore, correct restraint systems are necessary, other than adult seat belts.

The results of research on the best child restraint systems are contained in the European Standard ECE-R44. This Standard enforces the use of restraint systems classified in five groups:

Group 0	0-10 kg in weight
Group 0+	0-13 kg in weight
Group 1	9-18 kg in weight
Group 2	15-25 kg in weight
Group 3	22-36 kg in weight

As it may be noted, the groups overlap partly and in fact, in commerce it is possible to find devices that cover more than one weight group.

All restraint devices must bear the certification data, together with the control brand, on a solidly fixed label which must absolutely never be removed.

Over 1.50 m in height from the point of view of restraint systems, children are considered as adults and wear the seat belts normally.

Lineaccessori Fiat offers seats for each weight group. These seats are the recommended choice, as they have been designed and experimented specifically for Fiat cars.




WARNING

SERIOUS DANGER: Never place cradle child's seats on the front passenger seat of cars fitted with passenger's air bag since the air bag could cause serious injuries, even mortal. You are advised to carry children always on the rear seat, as this is the most protected position in the case of a crash. In any case, children's seats must absolutely not be fitted on the front seat of cars with passenger's air bag, which during inflation could cause serious injury, even mortal, regardless of the seriousness of the crash that triggered it.



WARNING

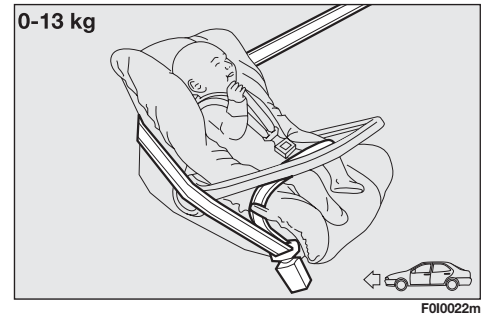


In case of need, on cars provided with front passenger's air bag deactivation, a child can be carried on the front seat. In this case it is absolutely necessary to check the  warning light to make sure that deactivation has actually taken place (see paragraph "Front and side air bags" at item "Front passenger's air bag"). The front passenger's seat shall be adjusted in the most backward position to prevent any contact between child's seat and dashboard.

GROUP 0 and 0+

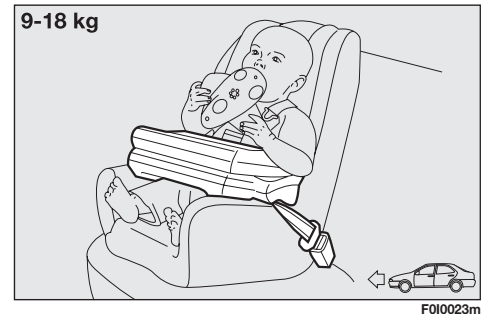
Babies up to 13 kg must be carried facing backwards on a cradle seat, which, supporting the head, does not induce stress on the neck in the event of sharp deceleration.

The cradle is restrained by the car seat belts, as shown in the figure and in turn it must restrain the child with its own belts.



GROUP I

Starting from 9 kg to 18 kg in weight, children may be carried facing forwards, with seats fitted with front cushion, through which the car seat belt restrains both child and seat.



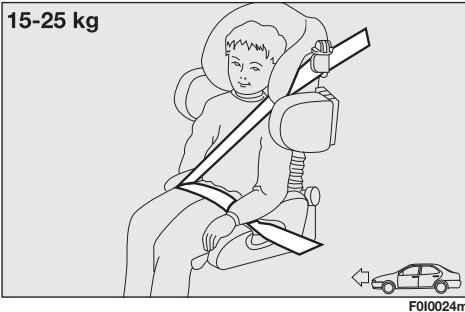
WARNING

Figures are indicative for assembly only. The seat should be installed following the instructions that must accompany it.

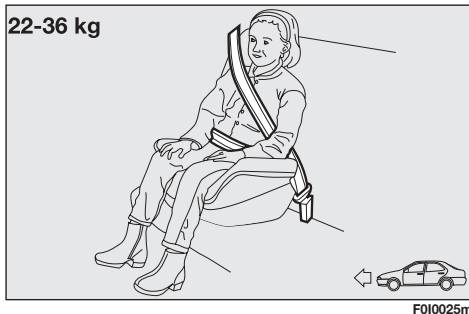


WARNING

Seats exist which are suitable for covering weight groups 0 and I with a rear connection and their own belts to restrain the child. Due to their size, they can be dangerous if installed incorrectly fastened to the car belts with a cushion. Carefully follow the instructions for installation provided with the seat.

**GROUP 2**

Starting from 15 kg to 25 kg in weight, children may be restrained directly by the car belts. The only function of the seat is to position the child correctly in relation to the belts, so that the diagonal part adheres to the chest and not to the neck and that the horizontal part clings to the child's pelvis and not the abdomen.

**GROUP 3**

For children from 22 kg up to 36 kg the size of the child's chest no longer requires a support to space the child's back from the seat back.

The figure shows proper child seat positioning on the rear seat.

Children taller than 1.50 m can wear seat belts like adults.

**WARNING**

The figure is only an example for mounting. Attain to the instructions for fastening which must be enclosed with the specific child restraint system you are using.

PASSENGER SEAT COMPLIANCE WITH REGULATIONS ON CHILD'S SEAT USE

Fiat Punto complies with the new Directive 2000/3/EC regulating child's seat assembling on the different car seats according to the following tables:

Front and rear seat (3 and 5-door versions)


Group	Range of weight	SEAT			
		Front passenger	Rear side passenger	Central rear passenger (with reel)	Central rear passenger (lap)
Group 0, 0+	up to 13 kg	U	U	U	(*)
Group 1	9 - 18 kg	U	U	U	(*)
Group 2	15 - 25 kg	U	U	U	(*)
Group 3	22 - 36 kg	U	U	U	(*)

Key:

U = suitable for child restraint systems of the "Universal" category, according to European Standard ECE-R44 for the specified "Groups".

(*) = in correspondence with the central place of the rear seat with lap belts (without reel), no type of seat can be assembled.

Below is a summary of the rules of safety to be followed for carrying children:

- The recommended position for installing child's seat is on the rear seat, as it is the most protected in the case of a crash.
- If the passenger's air bag is deactivated always check the warning light  on the cluster to make sure that it has actually been deactivated.
- Attain to the instructions for fastening the specific child restraint system which you are using. These instructions must be provided by the manufacturer. Keep the child restraint system installation instructions with the car documents and this Handbook. Never use a child restraint system without installation instructions.
- Always check the seat belt is well fastened by pulling the webbing.
- Only one child is to be strapped to each retaining system.
- Always check the seat belts do not fit around the child's throat.
- While travelling, do not let the child sit incorrectly or release the belts.
- Passengers should never carry children on their laps. No-one, however strong they are, can hold a child in the event of a crash.
- In case of an accident, replace the seat with a new one.

**WARNING**

In cars fitted with passenger air bag never place child's restraint systems on the front seat since children shall never be seated on the front passenger seat.

FRONT AND SIDE AIR BAGS

The car is fitted with driver's air bag. As optional it can be fitted with passenger's air bag, side bags and window bag.

The front air bag (driver and passenger) has been designed to protect the occupants in the event of head-on crashes of medium-high severity, by placing the cushion between the occupant and the steering wheel or dashboard.

Front air bags are designed to protect car's occupants in front crashes and therefore non-activation in other types of collisions (side collisions, rear shunts, roll-overs, etc.) is not a system malfunction.

In case of front crash, an electronic control unit, when required, triggers the inflation of the cushion according to the severity of the collision. The cushion immediately inflates, placing itself as a protection between the body of the front occupants and the structure that could cause injuries. Immediately after, the cushion deflates.

The front air bag (driver and passenger) is not a replacement of but complementary to the use of belts, which should always be worn, as specified by law in Europe and most non-European countries.

In case of crash, a person not wearing the seat belt moves forward and may come into contact with the cushion while it is still inflating. Under this circumstance the protection offered by the air bag is reduced.

DASHBOARD
AND
CONTROLS

SAFETY
DEVICES

CORRECT USE
OF THE CAR

WARNING
LIGHTS AND
MESSAGES

IN AN
EMERGENCY

CAR
MAINTENANCE

TECHNICAL
SPECIFICATIONS

INDEX

Front air bag can be activated in the following situations:

- in collisions against highly deformable objects not affecting the vehicle front surface (e.g. bumper collision against guard rail, etc.);
- car wedging under other vehicles or protective barriers (for example under a truck or guard rail);

as it offers no additional protection compared with the seat belts, consequently, it would be pointless. Therefore, failure to come into action in the above circumstances does not mean that the system is not working properly.

**WARNING**

Please don't apply stickers or other objects to the steering wheel, to the air-bag cover on the passenger's side or on the side roof lining to the upholstery on the roof side. Don't place objects on the dashboard passenger's side (such as mobile phones) because they could tamper with the correct opening of the passenger's air-bag and than cause serious injuries to the vehicle occupants.

DRIVER'S FRONT AIR BAG

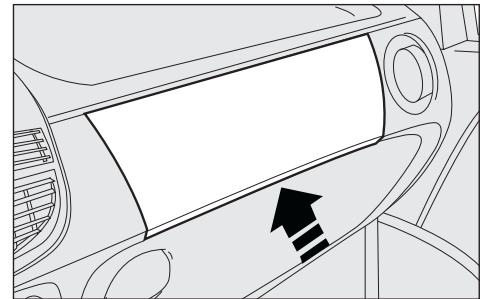
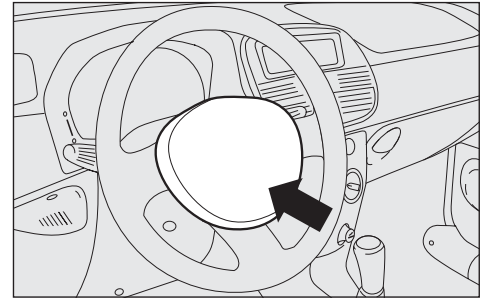
It consists of an instant-inflating cushion contained in a special recess in the centre of the steering wheel.

PASSENGER'S FRONT AIR BAG (where provided)

It consists of an instant-inflating cushion contained in a special recess in the dashboard; its volume is bigger than the driver's one.

The driver's and passenger's front Air bags have been designed and calibrated to improve the protection of a person wearing seat belts.

At their maximum inflation, their volume fills most of the space between the dashboard and the passenger.



WARNING

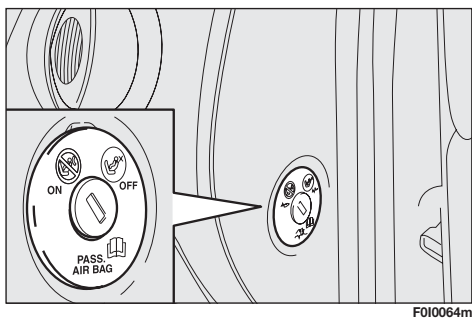
SERIOUS DANGER: The car is fitted with an air bag on the passenger's side. Never place cradle child's seats on the front passenger's seat of cars fitted with passenger's air bag since the air bag activation could cause serious injuries, even mortal.



WARNING



On cars provided with front passenger's air bag, the air bag shall be deactivated when placing a child's seat on the front passenger's seat. The front passenger seat shall be adjusted in the most backward position to prevent any contact between child's seat and dashboard. Even if not compulsory by law, you are recommended to reactivate the air bag immediately as soon as child transport is no longer necessary.



F010064m

MANUALLY DEACTIVATING PASSENGER'S FRONT AIR BAG (where required)



Should it be absolutely necessary to carry a child on the front seat, the passenger's air bag on the car can be deactivated.


Deactivation/reactivation takes place with ignition key at STOP and operating it in the special key switch on the right-hand side of the dashboard. You can reach the switch only if the door is opened.

When the door is open, the key can be inserted and removed in both positions.

IMPORTANT Operate the switch only when the engine is not running and the ignition key is removed.

The key-operated switch has two positions:

- Passenger's front air bag activated (ON position  on instrument cluster off; it is absolutely prohibited to carry a child on the front seat.
- Passenger's front air bag deactivated (OFF position  on instrument cluster on; it is possible to carry a child protected by special restraint system on the front seat.

The warning light  on the cluster stays on permanently until the passenger's air bag is reactivated.

Deactivation of the passenger's front air bag does not inhibit operation of the side air bag.

SIDE AIR BAGS (Side bag - Front Window bag) (where provided)

SIDE BAG

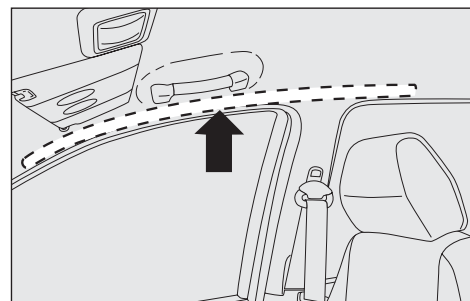
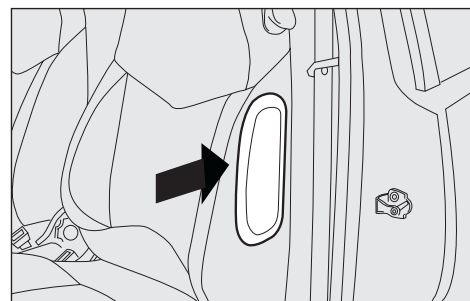
They are composed by two types of instant inflation and are housed in the back rest of the front seats. The task of the side air bags is to increase protection of the occupants' chest in the event of a side crash of medium-high severity.

FRONT WINDOW BAG

They are "curtain" cushions located behind the side coverings of the roof and covered by proper finishings such to allow the cushion unfolding downwards; this solution, studied for the head protection, allows offering the best protection to the front occupants in the event of side crash.

In minor side crashes (for which the restraining action of the seat belts is sufficient), the air bags are not deployed.

Also in this case it is of vital importance to wear the seat belts since in case of side crash they guarantee proper positioning of the occupant and prevent the occupants to be pitched out of the car in case of violent crashes. Therefore the side bags are not a replacement of but complementary to the belts, which you are recommended to always wear, as specified by law in Europe and most non-European countries.



IMPORTANT In the event of side crash, you can obtain the best protection by the system keeping a correct position on the seat, thus allowing correct front window bag unfolding.

IMPORTANT The front air bags and/or side bags may be deployed if the car is subject to heavy knocks or accidents involving the underbody area, such as for example violent shocks, against steps, kerbs or low obstacles, falling of the car in big holes or sags in the road.

IMPORTANT When the airbag inflates it emits a small amount of dusts. These dusts are harmless and is not the beginning of a fire; then the unfold cushion surface and the car interiors can be covered by a dusty remains: this dust can irritate skin and eyes. In case of contact, wash yourself using neutral soap and water.

**WARNING**

Never rest head, arms and elbows on the door, on the windows and in the front window bag area to prevent possible injuries during the inflation phase.

**WARNING**

Never put head, arms and elbows out of window.

The airbag system has a validity of 14 years for the pyrotechnic charge and 10 years for the coil contact (see the plate located in the glove compartment). Contact Fiat Dealership for replacement as these dates approach.

IMPORTANT Should an accident occur in which any of the safety devices is activated, take the car to a Fiat Dealership to have the devices activated replaced and to have the system checked.


All control, repair and replacement operations concerning the air bags must only be carried out c/o Fiat Dealership.

If you are having the car scrapped, have the airbag system deactivated at a Fiat Dealership first. If the car changes ownership, the new owner must be informed of the method of use of air bags and the above warnings and also be given this "Owner handbook".

IMPORTANT The triggering of pretensioners, front air bags and front and rear side bags is decided in a differentiated manner by the electronic control unit, depending on the type of crash. The failure to deploy one or more of them does not mean that the system is not working properly.

DASHBOARD AND CONTROLS
SAFETY DEVICES
CORRECT USE OF THE CAR
WARNING LIGHTS AND MESSAGES
IN AN EMERGENCY
CAR MAINTENANCE
TECHNICAL SPECIFICATIONS
INDEX

GENERAL WARNINGS**WARNING**

If the  warning light does not turn on when turning the ignition key to MAR or if it stays on when travelling, this could indicate a failure in safety retaining systems; under this condition air bags or pretensioners could not trigger in the event of collision or, in a restricted number of cases, they could trigger accidentally. Stop the car and contact Fiat Dealership to have the system checked immediately.

**WARNING**

Do not cover the back rest of front seats with trims or covers there are not set for the use of side bags.

**WARNING**

Never travel with objects on your lap, in front of your chest or with a pipe, pencil, etc. between your lips. Injury may result in the event of the air bag being triggered.

**WARNING**

Always keep your hands on the steering wheel rim when driving, so that if the air bag is triggered, it can inflate without meeting any obstacles which could cause serious harm to you. Do not drive with the body bent forwards, keep the seat back rest in the erect position and lean your back well against it.


**WARNING**

If the car has been stolen or an attempt to steal it has been made, if it has been subjected to vandals or floods, have the air bag system checked by Fiat Dealership.

**WARNING**

Remember that with the key engaged and in the MAR position, even with the engine not running, the air bags may be triggered on a stationary vehicle if it is bumped by another moving car. Therefore, never seat children on the front seat even when the vehicle is stationary. On the other hand, remember that with the ignition key at STOP no safety device (air bags or pretensioners) will be triggered in the event of an impact; in these cases, failure to come into action of the air bags cannot be considered as a sign that the system is not working properly.

**WARNING**

When the ignition key is turned to the MAR position, the warning light  (with passenger's front air bag deactivation (where required) switch in the ON position) turns on and flashes for few seconds to remind that passenger's air bag will be deployed in a crash, after which it should go off.

**WARNING**

Do not wash the seat back rest with pressurised water or steam (by hand or at automatic seat washing stations).

**WARNING**

The front air bag is triggered for shocks greater in magnitude than the pretensioners. For impacts between these two thresholds, it is therefore normal that only the pretensioners are triggered.

**WARNING**

Do not hook rigid objects to the coat hooks and to the support handles.

**WARNING**

The air bag does not substitute the seat belts, but only increases their effectiveness. Moreover, since the front air bags do not come into operation in the event of front impact at low speed, side collisions, bumps from behind or overturning, in these circumstances the occupants would only be protected by the seat belts which must therefore always be fastened.

CORRECT USE OF THE CAR

ENGINE STARTING	160
PARKING	163
USING THE MANUAL GEARBOX.....	164
CONTAINING RUNNING COSTS	165
TOWING TRAILERS	168
SNOW TYRES.....	171
SNOW CHAINS	172
CAR INACTIVITY	173

DASHBOARD
AND
CONTROLS

SAFETY
DEVICES

**CORRECT USE
OF THE CAR**

WARNING
LIGHTS AND
MESSAGES

IN AN
EMERGENCY

CAR
MAINTENANCE

TECHNICAL
SPECIFICATIONS

INDEX

ENGINE STARTING



The car is fitted with an electronic engine lock device. If the engine fails to start, see paragraph “Fiat Code system” in section “Dashboard and controls”.

STARTING PROCEDURE FOR PETROL VERSIONS

Proceed as follows:

- Ensure that the handbrake is up;
- Put the gear lever into neutral;
- Press the clutch pedal down to the floor without touching the accelerator;
- Turn the ignition key to AVV and let it go the moment the engine starts.

If the engine does not start at the first attempt, return the ignition key to STOP before repeating starting.

If, when the ignition key is on MAR, warning light  remains lit together with warning light , turn the key to STOP and then back to MAR; if the warning light remains on, try with the other keys provided with the car.

If you are still unable to start the engine, perform the emergency start-up procedure (see “Emergency start-up” in section “In an emergency”) and contact Fiat Dealership.

IMPORTANT Never leave the ignition key at MAR when the engine is off.



We recommend that during the initial period you do not drive to full vehicle performance (e.g.: excessive acceleration, long journeys at top speed, sharp braking, etc).



When the engine is switched off never leave the ignition key in the MAR position to prevent pointless current absorption from draining the battery.








WARNING


Running the engine in confined areas is extremely dangerous. The engine consumes oxygen and produces carbon monoxide which is a highly toxic and lethal gas.

STARTING PROCEDURE FOR DIESEL VERSIONS

Proceed as follows:

- Ensure that the handbrake is up;
- Put the gear lever into neutral;
- Turn the ignition key to MAR. The warning lights  and  will light up on the instrument panel;
- Wait for the warning lights  and  to go out. The hotter the engine is, the quicker this will happen;
- Press the clutch pedal down to the floor without touching the accelerator;
- Turn the ignition key to AVV as soon as warning light  goes out. If you wait too long you will lose the benefit of the work done by the glow plugs. Release the key as soon as the engine starts.


If the engine does not start at the first attempt, return the ignition key to STOP before repeating starting.

If, when the ignition key is on MAR, warning light  remains lit, turn the key to STOP and then back to MAR; if the warning light remains on, try with the other keys provided with the car.

If you still cannot start the engine, contact Fiat Dealership.

IMPORTANT Never leave the ignition key at MAR when the engine is off.




The warning light  will flash for 60 seconds at start-up or during prolonged cranking to signal a fault in the glow plug heating system. You can use the car as usual if the engine starts but you should contact a Fiat Dealership as soon as possible.

HOW TO WARM UP THE ENGINE AFTER IT HAS JUST STARTED (petrol and diesel versions)

Proceed as follows:

- Drive off slowly, letting the engine turn at medium revs. Do not accelerate abruptly;
- Do not drive at full performance for the initial kilometres. Wait until the coolant temperature gauge starts moving.

EMERGENCY START-UP

If the instrument panel warning light  stays on with fixed light, the emergency start-up can be performed by using the CODE card code (see section “In an emergency”).

STOPPING THE ENGINE

Turn the ignition to STOP while the engine is idling.

IMPORTANT After a taxing drive, you should allow the engine to “catch its breath” before turning it off by letting it idle to allow the temperature in the engine compartment to fall.



Never bump start the engine by pushing, towing or coasting downhill. This could cause fuel to flow into the catalytic exhaust system and damage it beyond repair.



A quick burst on the accelerator before turning off the engine serves absolutely no practical purpose, it wastes fuel and is damaging especially to turbocharged engines.



WARNING

Remember that the servobrake and power steering are not operational until the engine has been started, therefore much effort than usual is required on the brake pedal and steering wheel.

PARKING

Proceed as follows:

- Stop the engine and engage the handbrake;
- Engage a gear (first if the car is faced uphill or reverse if it is faced downhill) and leave the wheels steered.

Block the wheels with a wedge or a stone if the car is parked on a steep slope. Do not leave the ignition key at MAR to prevent draining the battery. Always remove the key when you leave the car.

HANDBRAKE

The handbrake lever is located between the two front seats.

Pull the handbrake lever upwards until the car cannot be moved. Four or five clicks are generally enough when the car is on level ground while nine or ten may be required if the car is on a steep slope or laden.

IMPORTANT If this is not the case, contact Fiat Dealership to have the handbrake adjusted.

When the handbrake lever is pulled up and the ignition key is at MAR the panel warning light (Ⓢ) will come on.

DASHBOARD
AND
CONTROLS

SAFETY
DEVICES

CORRECT USE
OF THE CAR

WARNING
LIGHTS AND
MESSAGES

IN AN
EMERGENCY

CAR
MAINTENANCE

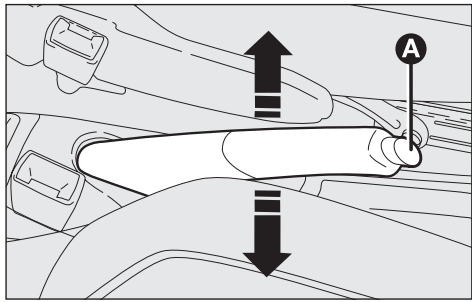
TECHNICAL
SPECIFICATIONS

INDEX



WARNING

Never leave children unattended in the car. Always remove the ignition key when leaving the car and take it out with you.



F010108m

To release the handbrake:

- Slightly lift the handbrake and press release button (A);
- Keep button (A) pressed in and lower the lever. Warning light (⚠) will go out.

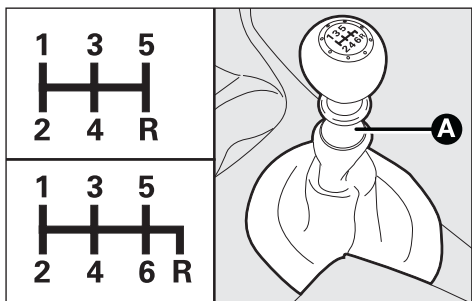
Press the brake pedal when carrying out this operation to prevent the car from moving accidentally.

USING THE MANUAL GEARBOX

To engage the gears, press the clutch pedal fully and shift the gear lever into one of the required positions (the diagram is shown on the knob).

To engage 6th gear press the lever to the right to prevent engaging 4th gear by mistake. A similar action is required to shift down from 6th to 5th.

IMPORTANT The car can only be put into reverse gear when it has stopped moving completely. With the engine running, before engaging the reverse, wait at least 2 seconds with the clutch pedal fully down to prevent damage and grating of the gears.



F010109m

To engage reverse (R) from neutral proceed as follows:

- for 1.28V and 1.216V versions, lift the sliding ring (A) under the knob and shift the lever to the right and back;
- for 1.816V versions, just shift the lever to the right and back.

CONTAINING RUNNING COSTS

Here are some suggestions which may help you to keep the running costs of your car down and lower the amount of toxic emissions released into the atmosphere.

GENERAL CONSIDERATIONS

Car maintenance

Have checks and adjustments carried out in accordance with the "Service schedule".



WARNING

To change gears properly you must push the clutch pedal fully down. It is therefore essential that there is nothing under the pedals: make sure mats are lying flat and do not get in the way of the pedals.



Do not drive with your hand resting on the gear lever as the force exerted, even if slight, could lead over time to premature wear on the gearbox internal components.

Tyres

Check the pressure of the tyres routinely at an interval of no more than 4 weeks: if the pressure is too low, consumption levels increase as resistance to rolling is higher.

Unnecessary loads

Do not travel with too much luggage stowed in the boot. The weight of the car (especially when driving in town) and its trim greatly affects consumption and stability.

Roof rack/ski rack

Remove the roof rack or the ski rack from the roof as soon as they are no longer used. These accessories lower air penetration and adversely affect consumption levels. When needing to carry particularly voluminous objects, preferably use a trailer.

Electric devices

Use electric devices only for the amount of time needed. Rear heated window, additional headlights, windscreen wipers and heater fan need a considerable amount of energy, therefore increasing the requirement of current increases fuel consumption (up to +25% in the urban cycle).

Climate control

The air conditioner is an additional load which greatly affects the engine leading to higher consumption (on average up to +20%). When the temperature outside the vehicle permits it, use the air vents where possible.

Spoilers

The use of non-certified aerodynamic items may adversely affect air drag and consumption levels.

DRIVING STYLE

Starting

Do not warm the engine with the car at a standstill or at idle or high speed: under these conditions the engine warms up much more slowly, increasing electrical consumption and emissions.

It is therefore advisable to move off immediately, slowly, avoiding high speeds. This way the engine will warm faster.

Unnecessary actions

Avoid accelerating when waiting at traffic lights or before switching off the engine. This and also double declutching is absolutely pointless on modern cars and also increase consumption and pollution.

Gear selection

As soon as the conditions of the traffic and road allow, use a higher gear. Using a low gear to obtain brilliant performance increases consumption. In the same way improper use of a high gear increases consumption, emissions and engine wear.

Top speed

Fuel consumption considerably increases with speed. Avoid superfluous braking and accelerating, which cost in terms of both fuel and emissions.

Acceleration

Accelerating violently increasing the revs will greatly affect consumption and emissions: acceleration should be gradual and should not exceed the maximum torque.

CONDITIONS OF USE

Cold starting

Short journeys and frequent cold starts do not allow the engine to reach optimum operating temperature. This results in a significant increase in consumption levels (from +15 to +30% on the urban cycle) and emission of harmful substances.

Traffic situations and road conditions

Rather high consumption levels are tied to situations with heavy traffic, for example in queues with frequent use of the lower gears or in cities with many traffic lights. Also winding mountain roads and rough road surfaces adversely affect consumption.

Traffic hold-ups

During prolonged hold-ups (e.g.: level crossings) the engine should be switched off.

TOWING TRAILERS

IMPORTANT NOTES

For towing caravans or trailers the car must be fitted with a certified tow hook and an adequate electric system. Installation should be carried out by specialised personnel who release a special document for circulation on the road.


Install any specific and/or additional rear-view mirrors as specified by law.


Remember that when towing a trailer, steep hills are harder to climb, the braking spaces increase and overtaking takes longer depending on the overall weight.

Engage a low gear when driving downhill, rather than constantly using the brake.

The weight the trailer exerts on the car tow hook reduces by the same amount the actual vehicle loading capacity. To make sure the maximum towable weight is not exceeded (given in the log book) account should be taken of the fully laden trailer, including accessories and personal belongings.

Do not exceed the speed limits of the country you are driving in. In any case do not exceed 100 km/h.

 **WARNING** *The ABS system with which the car may be fitted does not control the trailer braking system. Great care should therefore be taken when driving on slippery road surfaces.*

 **WARNING** *Under no circumstances should the vehicle brake system be altered to control the trailer brake. The trailer braking system must be fully independent of the vehicle's hydraulic system.*

INSTALLING THE TOW HOOK

The towing device should be fastened to the body by specialised personnel according to any additional and/or integrative information supplied by the Manufacturer of the device.

The towing device must meet current regulations with reference to 94/20/EC Directive and subsequent amendments.

For any version the towing device used must match the towable weight of the vehicle on which it is to be installed.

For the electric connection a unified connector should be used which is generally placed on a special bracket normally fastened to the towing device, and a special ECU for external trailer light control shall be installed on the car.

For the electrical connection, a 7 or 13 pole 12ESP coupling must be used (CUNA/UNI and ISO/DIN standards). Follow the instructions provided by the car manufacturer and/or the tow hitch manufacturer.

An electric brake should be supplied directly by the battery through a cable with a cross section of no less than 2,5 mm².

IMPORTANT Electric brake or other device shall be used with running engine.

In addition to the electrical branches, the car's electric system can only be connected to the supply cable for an electric brake and to the cable for an internal light, though not above 15W.

For connections use a preset control unit with battery cable no less than 2,5 mm².

DASHBOARD
AND
CONTROLS

SAFETY
DEVICES

CORRECT USE
OF THE CAR

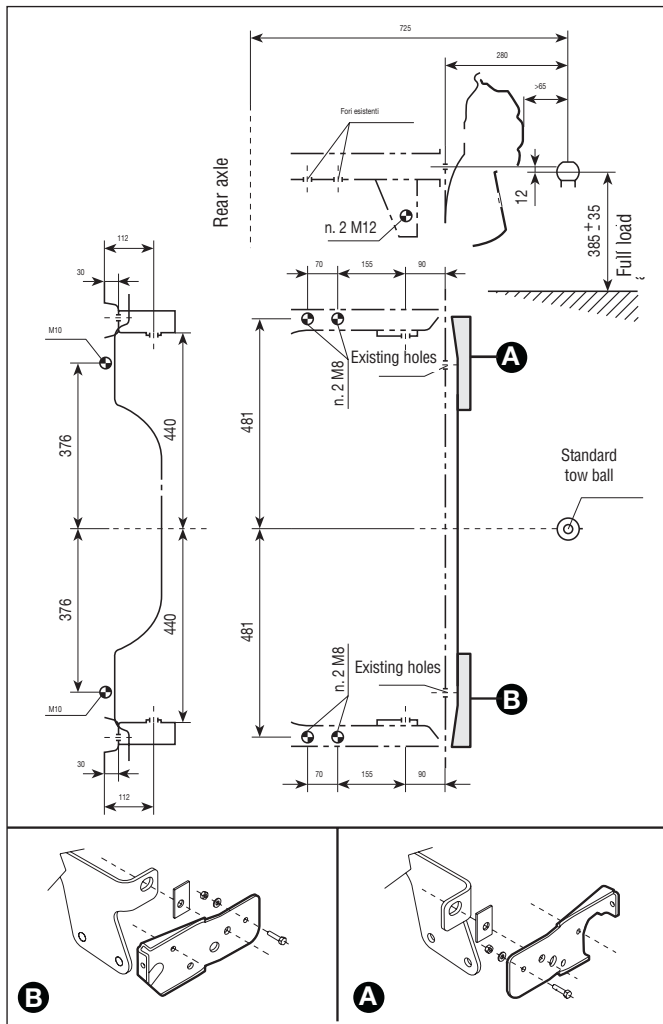
WARNING
LIGHTS AND
MESSAGES

IN AN
EMERGENCY


CAR
MAINTENANCE

TECHNICAL
SPECIFICATIONS

INDEX



Assembly diagram

The tow hook structure must be fastened in the points shown by the symbol  using a total of 4 M8 screws 2 M10 screws and 2 M12 screws.

In the fastening points of the rear external covering, the dampening pad fastening plates must be replaced with right plate A and left plate B (code 50901257 and 50901258) that shall compulsorily be mounted in the external side of the rear covering, as shown in the figure.

The hook should be fastened to the body avoiding any type of drilling and trimming of the rear bumpers that remains visible when the hook is removed.

IMPORTANT It is compulsory to fasten a label (plainly visible) of suitable size and material with the following wording:

MAX LOAD ON BALL 60 kg



WARNING After fitting, screw holes shall be sealed to prevent an exhaust gas inlet.

SNOW TYRES

Use snow tyres of the same size as the normal tyres provided with the car.

Fiat Dealership will be happy to provide advice concerning the most suitable type of tyre for the customer's requirements.

For the type of tyre to be used, inflation pressures and the specifications of snow tyres, follow the instructions given in paragraph "Wheels" in section "Technical specifications".

The winter features of these tyres are reduced considerably when the tread depth is below 4 mm. In this case, they should be replaced.

Due to the snow tyre features, under normal conditions of use or on long motorway journeys, the performance of these tyres is lower than that of normal tyres. It is therefore necessary to limit their use to the purposes for which they are certified.

IMPORTANT When snow tyres are used with a max speed index below the one that can be reached by the car (increased by 5%), place a notice in the passenger compartment, plainly in the driver's view which states the max permissible speed of the snow tyres (as per EC Directive).

All four tyres should be the same (brand and track) to ensure greater safety when driving and braking and better driveability.

Remember that it is inappropriate to change the direction of rotation of tyres.



WARNING

The max speed for snow tyres with "Q" marking is 160 km/h; 190 km/h for tyres with "T" marking and 210 km/h for tyres with "H" marking. The Road Traffic Code speed limits must however be always strictly observed.

DASHBOARD
AND
CONTROLS

SAFETY
DEVICES

CORRECT USE
OF THE CAR

WARNING
LIGHTS AND
MESSAGES

IN AN
EMERGENCY

CAR
MAINTENANCE

TECHNICAL
SPECIFICATIONS

INDEX

SNOW CHAINS

Use of snow chains should be in compliance with local regulations.

Snow chains should only be applied to the driving wheels (front wheels). We recommend using Lineaccessori Fiat snow chains.

Check the tension of the chains after driving some ten metres.

IMPORTANT Snow chains cannot be fitted to the space-saver spare wheel. So, if a front (drive) wheel is punctured and chains are needed, a rear wheel should be fitted to the front of the vehicle and the spare wheel should be fitted to the rear. This way with two normal drive wheels, snow chains can be fitted to them to solve an emergency.

IMPORTANT Use only reduced clearance snow chains with maximum projection off wheel equal to 12 mm.



Keep your speed down when snow chains are fitted. Do not exceed 50 km/h. Avoid potholes, steps and pavements and avoid also to drive for long distances on roads not covered with snow to prevent damaging the car and the roadbed.

CAR INACTIVITY

If the car is to be left inactive for longer than a month, the following precautions should be noted:

- park the car in covered, dry and if possible well-ventilated premises;
- engage a gear;
- check that the handbrake is not engaged;
- disconnect battery terminals (first disconnect the negative terminal) and check the battery charge. This check is to be repeated every three months. Recharge if the optical indicator shows a dark colour without the central green area;
- clean and protect the painted parts using protective wax;
- clean and protect the shiny metal parts using special compounds readily available;
- sprinkle talcum powder on the rubber windscreen and rear window wiper blades and lift them off the glass;
- slightly open the windows;
- cover the car with a cloth or perforated plastic sheet. Do not use sheets of non-perforated plastic as they do not allow moisture on the car body to evaporate;
- inflate tyres to +0.5 bar above the normal specified pressure and check it at intervals;
- if you don't disconnect the battery from the electric system, check its charge every month and recharge it if the optical indicator shows a dark colour without the central green area;
- do not drain the engine cooling system.

WARNING LIGHTS AND MESSAGES


GENERAL WARNINGS.....	175	GLOW PLUGS	190
LOW BRAKE FLUID LEVEL.....	176	WATER IN DIESEL FUEL FILTER.....	191
HANDBRAKE ON	176	INEFFICIENT ABS SYSTEM.....	192
AIR BAG FAILURE.....	177	CAR PROTECTION SYSTEM FAILURE - FIAT CODE.....	193
FRONT PASSENGER AIR BAG DEACTIVATED	178	EXTERNAL LIGHT FAILURE.....	194
LOW BATTERY CHARGE.....	179	REAR FOGLIGHTS.....	196
LOW ENGINE OIL PRESSURE	179	FRONT FOG LIGHTS	196
“DUALDRIVE“ ELECTRIC POWER STEERING ENGAGEMENT	180	LEFT-HAND DIRECTION INDICATOR	196
“DUALDRIVE” ELECTRIC POWER STEERING FAILURE.....	180	RIGHT-HAND DIRECTION INDICATOR	196
HIGH TEMPERATURE ENGINE COOLANT FLUID..	181	SIDELIGHTS AND LOW BEAMS.....	197
INCOMPLETE DOOR LOCKING	183	FOLLOW ME HOME.....	197
SPEED LIMIT EXCEEDED	184	MAIN BEAMS	197
FUEL RESERVE.....	184	CRUISE CONTROL.....	197
LIMITED RANGE.....	185	GENERAL FAILURE INDICATION	198
EOBD - ENGINE CONTROL SYSTEM FAILURE	186	DIESEL FUEL FILTER SENSOR FAILURE.....	198
ESP SYSTEM FAILURE	188	POSSIBLE PRESENCE OF ICE ON THE ROAD.....	198
ASR - WHEEL ANTISKID SYSTEM.....	189		
GLOW PLUG WARMING FAILURE.....	189		

GENERAL WARNINGS

Failure indications shown (only for some versions) on the **reconfigurable multifunction display** together with buzzer sounding (adjustable) and warning light (if any) coming on on the cluster, are accompanied by possible specific **warning messages** (e.g.: “Switch off engine”, etc...). These indications are **concise and cautionary** and are aimed to suggest the **prompt action** the driver must adopt when a car malfunctioning appears. These indications, however, shall not be considered as exhaustive and/or as an alternative to the specifications contained in this “Owner handbook”, which shall always be read through carefully and thoroughly. In case of failure indication **always refer to the specifications contained in this section**.


IMPORTANT Failure indications displayed on the reconfigurable multifunction display are divided into two categories: **very serious** failures and **serious/minor** failures.

The message and the warning indication corresponding to **very serious** failures are displayed alternately for few seconds. This “cycle” is repeated indefinitely and it stops any previous indication on the display. It is displayed every time the ignition key is turned to MAR, until the cause of malfunctioning is removed.

Should failure disappear, message and warning light will however stay on for about 2 seconds. Eliminating the failure, the warning light and the displayed message will go off. It is possible to stop this “cycle” by pressing button , in this case the screen active before the failure will be resumed and the warning light will stay on until eliminating the failure cause.

The message and the warning indication corresponding to **serious/minor** failures are displayed alternately for few seconds. This “cycle” is repeated for about 20 seconds and then goes off, but it comes on again every time the ignition key is turned to MAR.

Should failure disappear during the 20 seconds displaying, message and warning light will stay on for about 2 seconds. Eliminating the failure, the warning light and the displayed message will go off.

At the end of the display cycle (which lasts approx. 20 seconds), or if button  is pressed, the screen active before the failure will be resumed and the warning light will stay on until eliminating the failure cause.

See the attached Supplement for messages relevant to versions with Speedgear or Dualogic gearbox.

DASHBOARD
AND
CONTROLS

SAFETY
DEVICES

CORRECT USE
OF THE CAR


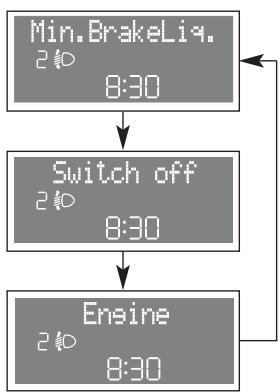

WARNING
LIGHTS AND
MESSAGES


IN AN
EMERGENCY

CAR
MAINTENANCE

TECHNICAL
SPECIFICATIONS

INDEX

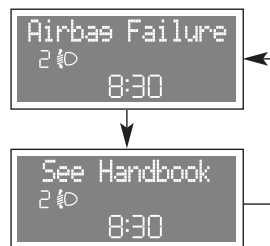
Warning light on dial	Message on reconfigurable multifunction display	
		<p>LOW BRAKE FLUID LEVEL (red)</p> <p>Turning the ignition key to MAR the warning light on the dial turns on, but it should go off after few seconds.</p> <p>The warning light turns on (together with the message on the display) when the level of the brake fluid in the reservoir falls below the minimum level, due to possible leak in the circuit.</p>
		<p>HANDBRAKE ON (red)</p> <p>Turning the ignition key to MAR the warning light on the dial turns on, but it should go off after few seconds. The warning light turns on when the handbrake is on.</p> <p>IMPORTANT If the warning light (ⓘ) turns on when travelling, check that the handbrake is not engaged.</p> <p>With handbrake engaged, if 4 km/h speed is exceeded the buzzer will sound (only for versions with reconfigurable multifunction display).</p>

 **WARNING** *If the warning light ⓘ turns on when travelling (on certain versions together with the message on the display) stop the car immediately and contact Fiat Dealership.*

AIR BAG FAILURE (red)

Turning the ignition key to MAR the warning light on the dial turns on, but it should go off after few seconds. The warning light stays on glowing steadily (on certain versions together with the message on the display) if there is a failure in the air bag system.


Message on reconfigurable multifunction display



Warning light on dial



WARNING

If the  warning light does not turn on when turning the ignition key to MAR or if it stays on when travelling, this could indicate a failure in safety retaining systems; under this condition air bags or pretensioners could not trigger in the event of collision or, in a restricted number of cases, they could trigger accidentally. Stop the car and contact Fiat Dealership to have the system checked immediately.



WARNING

The failure of the  warning light (warning light off) is also indicated by the flashing for more than the normal seconds of the passenger's front air bag deactivated warning light .

DASHBOARD AND CONTROLS

SAFETY DEVICES

CORRECT USE OF THE CAR



WARNING LIGHTS AND MESSAGES

IN AN EMERGENCY


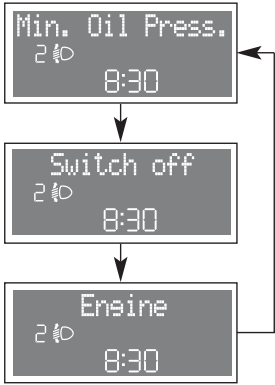

CAR MAINTENANCE

TECHNICAL SPECIFICATIONS

INDEX

Warning light on dial	Message on reconfigurable multifunction display
	<p>FRONT PASSENGER AIR BAG DEACTIVATED (amber)</p> <p>Warning light comes on on the dial when front passenger air bag is deactivated.</p> <p>With front passenger air bag on, turning the ignition key to MAR, warning light  comes on flashing on the cluster for about 4 seconds, then it flashes for other 4 seconds and then it shall go off.</p>



 **WARNING** *Warning light  indicates also warning light  failure. This is indicated by intermittent flashing, over 4 seconds, of warning light . In this event, warning light  could be not up to indicate restraint system failures, if any. Stop the car and contact Fiat Dealership to have the system checked.*

	Message on reconfigurable multifunction display	Warning light on dial
<p>LOW BATTERY CHARGE (red)</p> <p>Turning the key to MAR the warning light on the dial turns on, but it should go out as soon as the engine is started (with the engine running at idle speed a brief delay in going out is allowed).</p> <p>If it stays on together with the message shown on the display, contact immediately Fiat Dealership.</p>		
<p>LOW ENGINE OIL PRESSURE (red)</p> <p>Turning the key to MAR the warning light on the dial turns on, but it should go off as soon as the engine is started.</p>	 <pre> graph TD A["Min. Oil Press. 2 8:30"] --> B["Switch off 2 8:30"] B --> C["Engine 2 8:30"] C --> A </pre>	



If the  warning light turns on when the car is travelling (on certain versions together with the message on the display), stop the engine immediately and contact a Fiat Dealership.

- DASHBOARD AND CONTROLS
- SAFETY DEVICES
- CORRECT USE OF THE CAR
- WARNING LIGHTS AND MESSAGES
- IN AN EMERGENCY
- CAR MAINTENANCE
- TECHNICAL SPECIFICATIONS
- INDEX

Warning light on dial	Message on reconfigurable multifunction display	
CITY		<p>"DUALDRIVE" ELECTRIC POWER STEERING ENGAGEMENT</p> <p>When engaging the "Dualdrive electric power steering the instrument panel will show the message CITY. This message will go off the display when disengaging the electric power steering.</p>
		<p>"DUALDRIVE" ELECTRIC POWER STEERING FAILURE (where provided) (red)</p> <p>Turning the ignition key to MAR the warning light on the dial turns on, but it should go off after few seconds.</p> <p>If the warning light stays on (on certain versions together with the message on the display), you will not have steering assistance and the effort on the steering wheel will be increased, steering is however possible. Contact Fiat Dealership.</p>

HIGH TEMPERATURE ENGINE COOLANT FLUID (red)

Turning the ignition key to MAR the warning light on the dial turns on, but it should go off after few seconds.

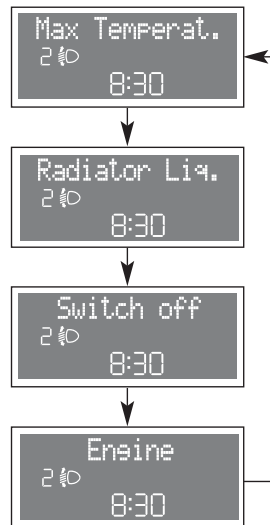
The warning light turns on (on certain versions together with the message on the display) when the engine is overheated. If the warning light comes on when driving, proceed as follows:

- **Normal driving conditions:** stop the car, switch off the engine and check whether the water level in the reservoir is not below the MIN mark. Otherwise wait for few seconds to allow engine cooling, then open slowly and carefully the cap, top up coolant and check whether its level is falling between MIN and MAX marks in the reservoir. Check visually any leak. If when restarting the warning light comes on again, contact a Fiat Dealership;

continues on next page →

Message on reconfigurable multifunction display

Warning light on dial



DASHBOARD AND CONTROLS

SAFETY DEVICES

CORRECT USE OF THE CAR

WARNING LIGHTS AND MESSAGES

IN AN EMERGENCY

CAR MAINTENANCE

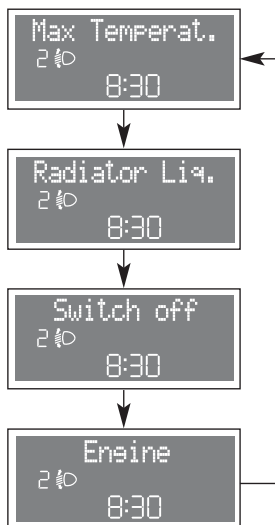
TECHNICAL SPECIFICATIONS

INDEX

Warning light on dial



Message on reconfigurable multifunction display



continued from previous page →

- ❑ **Car heavy duty** (e.g.: towing trailer uphill or fully laden car): decrease speed, if the warning light stays on, stop the car. Wait for 2 or 3 minutes leaving the engine on and slightly accelerated to further activate the circulation of the coolant fluid, then switch the engine off. Check proper coolant level as described previously.

IMPORTANT Under severe use of the car, keep the engine on and slightly accelerated for few minutes before switching it off.

INCOMPLETE DOOR LOCKING (red)

The warning light on the dial turns on (on certain versions together with the message on the display) when one or more doors, the boot (indication fitted on some versions only) or the bonnet are not properly shut.

Symbols ◀▶ shown on the multifunction display indicate incomplete left/right door closing.

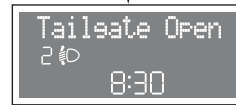
With doors and boot open, if 4 km/h speed is exceeded the buzzer will sound (only for versions with reconfigurable multifunction display).

IMPORTANT On versions not fitted with electric door lock, no warning message will be displayed if door is not perfectly closed or is left open.

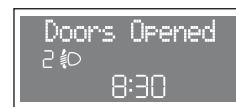
Message on reconfigurable multifunction display

Warning light on dial

3 door versions



5 door versions



DASHBOARD AND CONTROLS

SAFETY DEVICES

CORRECT USE OF THE CAR


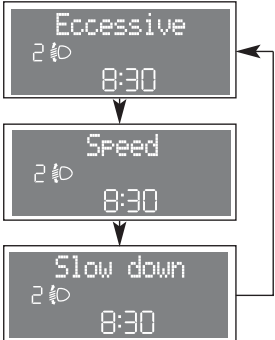

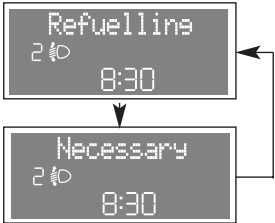
WARNING LIGHTS AND MESSAGES

IN AN EMERGENCY

CAR MAINTENANCE

TECHNICAL SPECIFICATIONS

INDEX

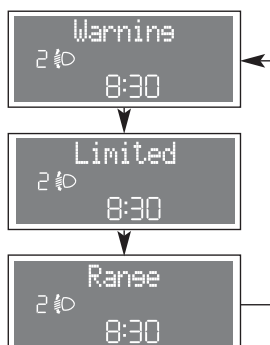
Warning light on dial	Message on reconfigurable multifunction display	
		<p>SPEED LIMIT EXCEEDED (amber)</p> <p>The warning light on the dial turns on (on certain versions together with the message on the display) when the car exceeds the speed limit set previously (see “Reconfigurable multifunction display” in the “Dashboard and controls” section).</p>
		<p>FUEL RESERVE (amber)</p> <p>Turning the ignition key to MAR, the warning light on the instrument panel shall turn on but it should go off after a few seconds.</p> <p>The warning light turns on (on certain versions together with the message on the display) when about 5 - 7 litres fuel are left in the tank.</p> <p>IMPORTANT The warning light flashes to indicate a system failure. In this case contact Fiat Dealership to have the system checked.</p>

LIMITED RANGE

Messages will be shown on the display when range falls below 50 km.

Message on reconfigurable multifunction display

Warning light on dial



DASHBOARD AND CONTROLS

SAFETY DEVICES

CORRECT USE OF THE CAR

WARNING LIGHTS AND MESSAGES

IN AN EMERGENCY

CAR MAINTENANCE

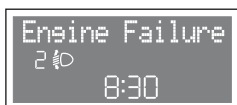
TECHNICAL SPECIFICATIONS

INDEX

Warning light on dial



Message on reconfigurable multifunction display




EOBD - ENGINE CONTROL SYSTEM FAILURE (amber)

In normal conditions, turning the ignition key to MAR, the warning light turns on, but it should go off when the engine has started. The initial turning on indicates that the warning light is working properly.



If the warning light stays on or turns on when travelling (on certain versions together with the message on the display):

- **glowing steadily** - means a fault in the supply/ignition system which could cause high emissions at the exhaust, possible lack of performance, poor handling and high consumption levels.

In these conditions it is possible to continue driving without however requiring heavy effort or high speed from the engine. Prolonged use of the car with the warning light on may cause damages. Contact Fiat Dealership as soon as possible.

	Message on reconfigurable multifunction display	Warning light on dial
<p>The warning light goes off if the fault disappears, but it is still stored by the system.</p> <p>☐ flashing - indicates the possibility of damage to the catalyst (see “EOBD system” in the “Dashboard and controls” section).</p> <p>If the light flashes, it is necessary to release the accelerator pedal to lower the speed of the engine until the warning light stops flashing; continue the journey at moderate speed, trying to avoid driving conditions that may cause further flashing and contact Fiat Dealership as soon as possible.</p>		

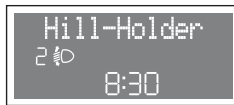
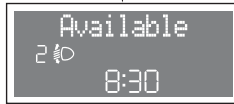
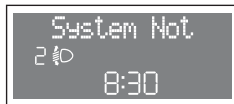


If, turning the ignition key to MAR, the  warning light does not turn on or if it turns on glowing steadily or flashing when travelling (on certain versions together with the message on the display), contact Fiat Dealership. Warning light  operation can be checked by traffic agents by proper equipment. Therefore comply with laws and regulations of the country where you are driving.

- DASHBOARD AND CONTROLS
- SAFETY DEVICES
- CORRECT USE OF THE CAR
- WARNING LIGHTS AND MESSAGES**
- IN AN EMERGENCY
- CAR MAINTENANCE
- TECHNICAL SPECIFICATIONS
- INDEX

Warning light on dial

Message on reconfigurable multifunction display




ESP SYSTEM FAILURE (where provided) - SYSTEM NOT AVAILABLE (amber)

Turning the ignition key to MAR, the warning light on the dial comes on but shall go off after few seconds.

If the warning light does not go off or stays on when travelling (on certain versions together with the message on the display) and with led on ASR OFF button, contact Fiat Dealership.

Warning light flashing when driving indicates that the ESP system is active.

Hill Holder failure - System not available

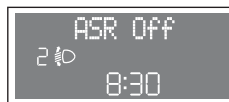
Hill holder failure is indicated by warning light  coming on (on certain versions together with the message on the display). Contact Fiat Dealership as soon as possible.

ASR - WHEEL ANTISKID SYSTEM (amber)

Messages are displayed (on certain versions) when the ASR function is activated/deactivated manually (see "ASR system" in the "Dashboard and controls" section).




ASR system switching off is indicated by the switching on of the ASR OFF button led (see "ASR system" in section "Dashboard and controls").

Message on reconfigurable multifunction display




Warning light on dial

- DASHBOARD AND CONTROLS
- SAFETY DEVICES
- CORRECT USE OF THE CAR
- WARNING LIGHTS AND MESSAGES
- IN AN EMERGENCY
- CAR MAINTENANCE
- TECHNICAL SPECIFICATIONS
- INDEX

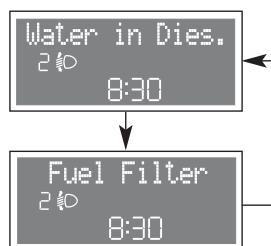
Message on reconfigurable	Message on reconfigurable multifunction display	
		<p>GLOW PLUG WARMING FAILURE (only diesel versions) (amber)</p> <p>The warning light on the dial flashing (on certain versions together with the message on the display) when there is a failure in the glow plug warming system. Contact Fiat Dealership as soon as possible to have the fault eliminated.</p>
		<p>GLOW PLUGS (only diesel versions) (amber)</p> <p>Turning the ignition key to MAR, the warning light on the dial comes on and goes off when glow plugs reach the preset temperature. Start the engine immediately after warning light switching off.</p> <p>IMPORTANT With high ambient temperature, warning light stays on for very short time.</p>

WATER IN DIESEL FUEL FILTER (only diesel versions) (amber)

The warning light on the dial turns on (on certain versions a message is displayed on the reconfigurable multifunction display) when there is water in the diesel fuel filter.

Turning the ignition key to MAR, the warning light  (if present) on the instrument panel shall turn on but it should go off after a few seconds.

Message on reconfigurable multifunction display



Warning light on dial





(Versions with digital display and multifunction display)

or



(Versions with reconfigurable multifunction display)



The presence of water in the fuel circuit may cause serious damage to the entire injection system and cause irregular engine operation. If warning light  or  comes on the dial (on certain versions a message is displayed on the reconfigurable multifunction display), contact Fiat Dealership as soon as possible to have the system relieved. Should the above warning indication come one immediately after topping up, water has probably been poured into the tank: turn the engine off immediately and contact Fiat Dealership.

Warning light on dial



Message on reconfigurable multifunction display

ABS Failure
 240 8:30

System Not
 240 8:30

Available
 240 8:30

EBD Failure
 240 8:30

Switch off
 240 8:30

Engine
 240 8:30

System Not
 240 8:30

Available
 240 8:30

INEFFICIENT ABS SYSTEM - SYSTEM NOT AVAILABLE (amber)

Turning the ignition key to MAR the warning light on the dial turns on, but it should go off after few seconds.



The warning light turns on (on certain versions together with the message on the display) when the system is inefficient or not available. In this case the braking system keeps its effectiveness unchanged, but without the potential offered by the ABS system. Caution is advisable, particularly in all cases of less than perfect grip. It is therefore necessary to contact Fiat Dealership.


EBD failure - System not available

The turning on at the same time of the (!) and (ABS) warning lights on the dial (on certain versions together with the message on the display) with the engine running indicates an EBD system failure; or that the system is not available. In this case heavy braking may cause the rear wheels to lock before time, with the possibility of skidding. Drive with the utmost care to the nearest Fiat Dealership to have the system checked.

CAR PROTECTION SYSTEM FAILURE - FIAT CODE (amber)

Turning the key to MAR the warning light on the dial shall flash only once and then go off. If with the ignition key at MAR the warning light stays on, this indicates a possible failure (see “The Fiat Code system” in the “Dashboard and controls” section).

IMPORTANT The turning on at the same time of the  and  warning lights indicates a failure of the Fiat CODE system.

If with the engine running the  warning light flashes, this means that the car is not protected by the engine inhibitor device (see “The Fiat Code system” in the “Dashboard and controls” section). Contact Fiat Dealership to have all the keys memorised.

Message on reconfigurable multifunction display

Warning light on dial



DASHBOARD AND CONTROLS

SAFETY DEVICES

CORRECT USE OF THE CAR

WARNING LIGHTS AND MESSAGES

IN AN EMERGENCY

CAR MAINTENANCE

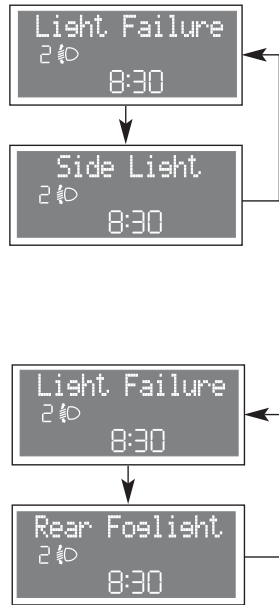
TECHNICAL SPECIFICATIONS

INDEX

Warning light on dial



Message on reconfigurable multifunction display



EXTERNAL LIGHT FAILURE (amber)

The warning light on the dial comes on (on certain versions together with the message on the display) when a failure is detected to one of the following lights: taillights, brake lights (3rd stop light excluded), rear fog lights, direction indicators.

The failure referring to these lights could be: one or more blown bulbs, a blown protection fuse or a cut-off electric connection.

Symbols ◀/▶ (where provided) coming on on the multifunction display indicate a left/right-hand light failure.

continues on next page



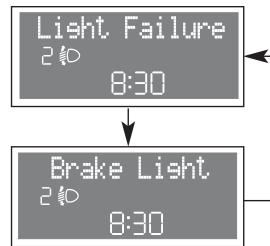
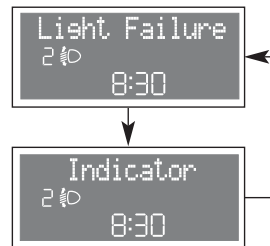
EXTERNAL LIGHT FAILURE (amber)

The warning light on the dial comes on (on certain versions together with the message on the display) when a failure is detected to one of the following lights: taillights, brake lights (3rd stop light excluded), rear fog lights, direction indicators.

The failure referring to these lights could be: one or more blown bulbs, a blown protection fuse or a cut-off electric connection.

Symbols ◀/▶ (where provided) coming on on the multifunction display indicate a left/right-hand light failure.

Message on reconfigurable multifunction display



Warning light on dial



DASHBOARD AND CONTROLS

SAFETY DEVICES

CORRECT USE OF THE CAR






WARNING LIGHTS AND MESSAGES






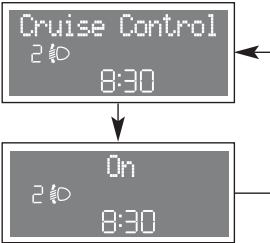

IN AN EMERGENCY

CAR MAINTENANCE



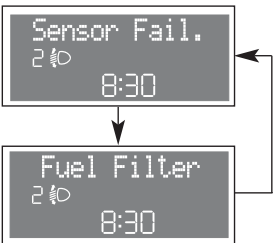

TECHNICAL SPECIFICATIONS

INDEX

Warning light on dial	Message on reconfigurable multifunction display	
		<p>REAR FOG LIGHTS (amber)</p> <p>The warning light on the dial turns on when the rear fog lights are turned on.</p>
		<p>FRONT FOG LIGHTS (green)</p> <p>The warning light on the dial turns on when the front fog lights are turned on.</p>
		<p>LEFT-HAND DIRECTION INDICATOR (green) (intermittent)</p> <p>The warning light on the dial turns on when the direction indicator control lever is moved downwards or, together with the right indicator, when the hazard warning light button is pressed.</p>
		<p>RIGHT-HAND DIRECTION INDICATOR (green) (intermittent)</p> <p>The warning light on the dial turns on when the direction indicator control lever is moved upwards or, together with the left indicator, when the hazard warning light button is pressed.</p>
		<p>HEATED REAR WINDOW (amber)</p> <p>The warning light on the dial turns on when the heated rear window is turned on.</p>

	Message on reconfigurable multifunction display	Warning light on dial
<p>SIDELIGHTS AND LOW BEAMS (green)</p> <p>The warning light on the dial turns on when sidelights, parking lights or low beams are turned on.</p>		
<p>FOLLOW ME HOME</p> <p>The warning light on the dial comes on (on certain versions together with the message on the display) when the "Follow me home" device is activated (see "Follow me home" in the "Dashboard and controls" section).</p>		
<p>MAIN BEAMS (blue)</p> <p>The warning light on the dial turns on when the main beams are turned on.</p>		
<p>CRUISE CONTROL (where provided) (green)</p> <p>Turning the ignition key to MAR, the warning light  (if present) on the instrument panel shall turn on but it should go off after a few seconds.</p> <p>The warning light on the dial comes on (on certain versions together with the message on the display), with the knurled ring of the cruise control in the ON position, when the device starts to intervene on the engine.</p>		

- DASHBOARD AND CONTROLS
- SAFETY DEVICES
- CORRECT USE OF THE CAR
- WARNING LIGHTS AND MESSAGES**
- IN AN EMERGENCY
- CAR MAINTENANCE
- TECHNICAL SPECIFICATIONS
- INDEX

Warning light on dial	Message on reconfigurable multifunction display	
		<p>GENERIC FAILURE INDICATION</p> <p>The warning light on the dial comes on when a failure is detected.</p>
		<p>DIESEL FUEL FILTER SENSOR FAILURE</p> <p>The warning light on the dial comes on (on certain versions together with the message on the display) when diesel fuel filter sensor failure is detected. Contact Fiat Dealership as soon as possible to have the fault removed.</p>
		<p>POSSIBLE PRESENCE OF ICE ON THE ROAD (reconfigurable multifunction display version only)</p> <p>Warning message will appear and temperature indication will flash on the display when the outside temperature reaches or falls below 3°C to warn the driver of the possible presence of ice on the road.</p>



IN AN EMERGENCY

ENGINE STARTING	200
IF A TYRE IS PUNCTURED	202
FIX & GO (QUICK TYRE REPAIR KIT).....	209
WHEN NEEDING TO CHANGE A BULB	214
IF AN EXTERIOR LIGHT BURNS OUT	217
IF AN INTERIOR LIGHT BURNS OUT.....	222
IF A FUSE BLOWS.....	224
IF THE BATTERY IS FLAT	231
JACKING THE CAR.....	232
TOWING THE CAR.....	233

DASHBOARD AND CONTROLS
SAFETY DEVICES
CORRECT USE OF THE CAR
WARNING LIGHTS AND MESSAGES
IN AN EMERGENCY
CAR MAINTENANCE
TECHNICAL SPECIFICATIONS
INDEX

ENGINE STARTING




EMERGENCY START-UP




If the Fiat CODE system fails to deactivate engine immobilising system the warning lights  and  stay on and the engine cannot be started.


To start the engine the emergency start-up can be performed.

Read the whole procedure carefully before trying to carry it out. If you make a mistake, you must turn the ignition key back to STOP and repeat the whole operation from beginning.

Proceed as follows:

- Read the 5-figure electronic code given on the CODE card;
- Turn the ignition key to MAR;
- Press and hold down the accelerator pedal. The warning light  turns on for about 8 seconds, and then goes off;
- Release the accelerator pedal and get ready to count the flashes of the  warning light;
- Count the number of flashes that corresponds to the first figure of the code on the CODE card, then press the accelerator pedal and keep it there until the  warning light comes on (for 4 seconds) and then goes off; release the accelerator pedal;

- The warning light  will start flashing again: after it has flashed the number of times that corresponds to the second figure on the CODE card, press the accelerator pedal to the floor and keep it there;
- Do the same for the remaining figures on the CODE card;
- Once the final figure has been entered, keep the accelerator pedal pressed. The warning light  will light up for 4 seconds and then goes out. Release the accelerator pedal;
- Rapid flashing of the warning light  (for about 4 seconds) confirms the operation has been carried out successfully;
- Start the engine by turning the ignition key from MAR to AVV.


If however the warning light  stays on, turn the ignition key to STOP and repeat the procedure from step one

IMPORTANT After an emergency start-up, you should contact a Fiat Dealership otherwise you will have to repeat the procedure described each time you want to start the engine.

JUMP STARTING

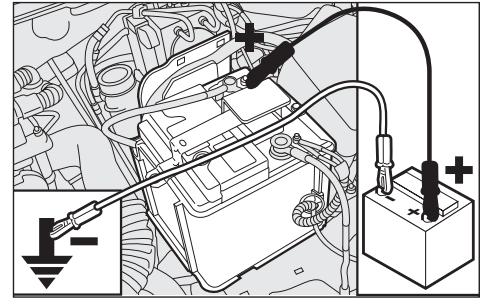
If the battery is flat, it is possible to start the engine using an auxiliary battery with the same capacity or a little higher than the flat one.

Proceed as follows:

- Connect positive terminals (+) of the two batteries with a jump lead;
- With a second lead, connect the negative terminal (-) of the auxiliary battery and to an earthing point  on the engine or the gearbox of the car to be started;
- Start the engine;
- When the engine has been started, remove the leads reversing the order above.

If after a few attempts the engine does not start, do not insist but contact the nearest Fiat Dealership.

IMPORTANT Do not directly connect the negative terminals of the two batteries: any sparks may ignite the detonating gas which could come out of the battery. If the auxiliary battery is installed on another car, avoid metal parts touching accidentally between this car and the one with the flat battery.



F010140m



Never use a battery charger to start the engine as this could damage the electronic systems of your vehicle, particularly the ignition and fuel supply control units.



WARNING

This starting procedure must be carried out by qualified personnel because incorrect operations may cause electrical discharge of considerable intensity. The liquid contained in the battery is poisonous and corrosive. Avoid contact with the skin and eyes. Keep naked flames and lighted cigarettes away from the battery and do not cause sparks.

DASHBOARD
AND
CONTROLS

SAFETY
DEVICES

CORRECT USE
OF THE CAR

WARNING
LIGHTS AND
MESSAGES

IN AN
EMERGENCY

CAR
MAINTENANCE

TECHNICAL
SPECIFICATIONS

INDEX

BUMP STARTING

Never bump start the engine (by pushing, towing or coasting downhill). This could cause fuel to flow into the catalytic converter and damage it beyond repair.

IMPORTANT Remember that the servobrake and electrical power steering system are not operating until the engine is started, a greater effort will therefore be required to press the brake pedal or turn the steering wheel.

IF A TYRE IS PUNCTURED

GENERAL INSTRUCTIONS

Wheel changing and correct use of the jack and space-saver spare wheel call for some precautions as listed below.

IMPORTANT If the vehicle is fitted with “Fix & Go (quick tyre repair kit)”, see the relevant instructions in the following chapter.



WARNING

Alert other drivers that the car is stationary in compliance with local regulations: hazard warning lights, warning triangle, etc. Any passengers on board should leave the car, especially if it is heavily laden. Passengers should stay away from oncoming traffic while the wheel is being changed. If parked on a slope or rough surface, chock the wheels with wedges or other suitable devices to prevent the car from rolling.



WARNING

The space-saver spare wheel is specific to your car, do not use it on other models, or use the spare wheel of other models on your vehicle. The space-saver spare wheel shall only be used in an emergency. It shall only be used for the distance necessary to reach a service point and the car speed shall not exceed 80 km/h. The spare wheel has an orange sticker that summarises the main cautions for use and limitations. The sticker should never be removed or covered. Never fit a wheel cap on a space-saver spare wheel. The sticker gives the following information in four languages: CAUTION! FOR TEMPORARY USE ONLY! 80 KM/H MAX! REPLACE BY NORMAL WHEEL AS SOON AS POSSIBLE. DO NOT COVER THIS LABEL IN USE.



WARNING

When driving with a space-saver spare wheel fitted, the driving performance of the car changes. Avoid accelerating or braking sharply, abrupt turns or fast cornerings. The life of the spare wheel is approx. 3000 Km, after this distance it should be replaced with another of the same type. Never attempt to fit a conventional tyre on a rim designed for use as a space-saver spare wheel. Have the punctured wheel repaired and refitted as soon as possible. Two or more space-saver spare wheels should never be used together. Do not grease the threads of bolts before installing them: they might slip out.



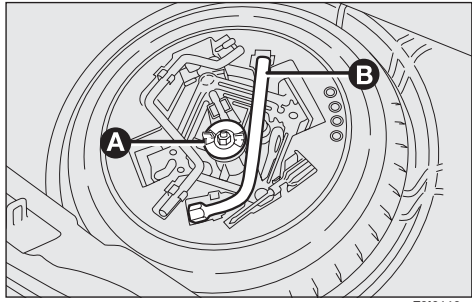
WARNING

The jack shall only be used for changing wheels on the car with which it is provided or on cars of the same model. It must not be used for other purposes such as for instance raising cars of other models. In no case should it be used for repairs under the car. Incorrect positioning of the jack may cause the jacked vehicle to fall. Do not use the jack for higher capacities than stated on its label. Snow chains cannot be fitted to the space-saver spare wheel. So, if a front (drive) wheel is punctured and chains are needed, a rear wheel should be fitted to the front of the vehicle and the spare wheel should be fitted to the rear. This way with two normal drive wheels, snow chains can be fitted to them to solve an emergency.



WARNING

Fasten the wheel cap correctly to prevent the wheel from coming free in motion. Never tamper with the inflation valve. Never place tools between the rim and tyre. Check and restore, if required, the pressure of tyres and spare wheel to the values given in the "Technical specifications" section.



F010110m

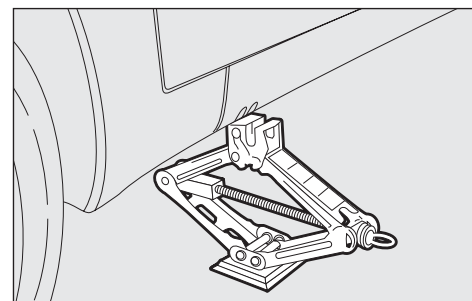
Please note:

- the jack weight is 1.85 kg;
- the jack requires no adjustment;
- the jack cannot be repaired: in the event of a fault it must be replaced by another original one;
- no tool other than its cranking device may be fitted on the jack.

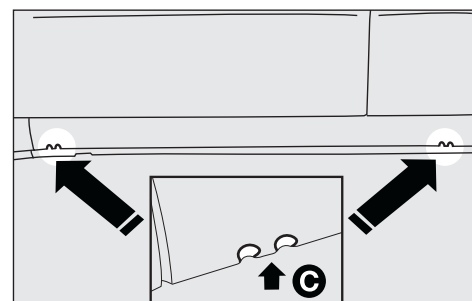
To change a wheel proceed as follows:

- Stop the car in a position that is not dangerous for oncoming traffic where you can change the wheel safely. The ground should be flat and adequately firm;
- Turn the engine off and pull up the handbrake;
- Engage first gear or reverse;
- Lift the luggage compartment panel mat ;
- Loosen the clamping device (A) using wrench (B) if required;
- Take out the tool container and take it near to the wheel to be changed;
- Take the spare wheel;
- for versions fitted with press-fit wheel cap, remove the wheel cap avoiding to damage it;
- Using the wrench provided (B) loosen the fastening bolts by about one turn. If the car is fitted with alloy rims, shake the car to facilitate removing the rim from the wheel hub;

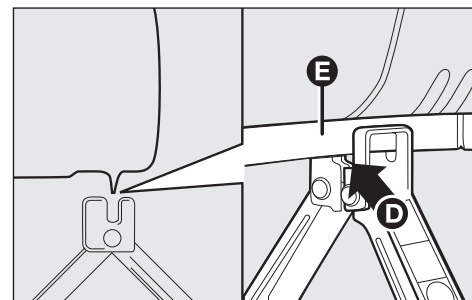
- ❑ Fit the handle and operate it to partially open the jack. Position the jack under the car (see figure) at the reference points (C) near the wheel to be replaced;
- ❑ Extend the jack until the groove (D) on the jack fits correctly into ridge (E) underneath the sidemember;
- ❑ Warn anybody nearby that the car is about to be lifted. They must stay clear and not touch the vehicle until it is back on the ground;
- ❑ Operate the jack and raise the car until the wheel is a few centimetres from the ground;
- ❑ Undo the four wheel bolts and remove the wheel.
- ❑ Make sure the surfaces of the space-saver spare wheel that come into contact with the hub are clean and free from any impurities that could cause wheel bolts loosening;



F010111m



F010112m



F010113m

DASHBOARD AND CONTROLS

SAFETY DEVICES

CORRECT USE OF THE CAR

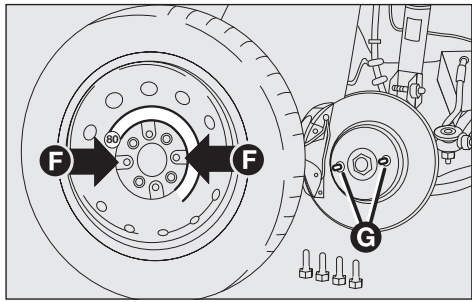
WARNING LIGHTS AND MESSAGES

IN AN EMERGENCY

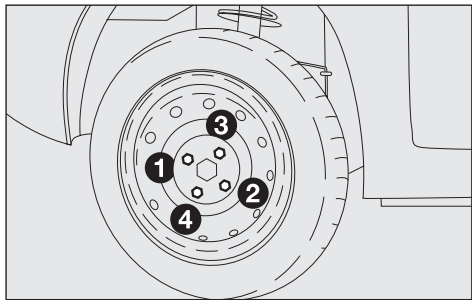
CAR MAINTENANCE

TECHNICAL SPECIFICATIONS

INDEX



F010114m



F010115m


- Install the spare wheel matching the holes (F) with the corresponding pin (G);
- Using the wrench provided, fully tighten the four fastening bolts;
- Work the jack handle to lower the car and remove the jack;
- Using the wrench provided, tighten up the wheel bolts in a criss-cross fashion following the sequence shown.

IMPORTANT Do not fit the wheel cap to the space-saver wheel.

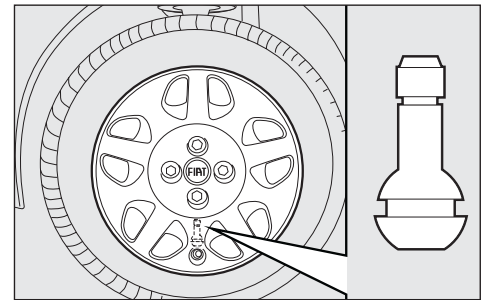
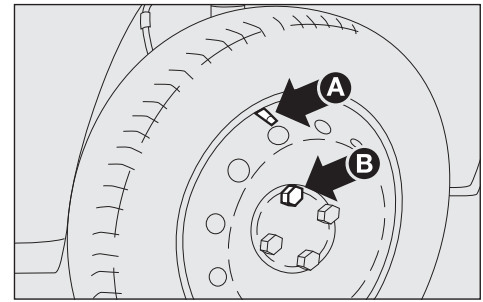
IMPORTANT You will need to change the set of bolts if you want to change the type of wheels fitted (alloy rims instead of steel rims, and vice versa); have this operation performed by skilled personnel. You should keep the bolts and spare wheel in case you decide to use the original type of wheel later on.

REFITTING THE STANDARD WHEEL

Proceed as follows:

- ❑ Following the procedure described previously, raise the car and remove the spare wheel;
- ❑ Make sure the contact surfaces between wheel and hub are clean so that the fastening bolts will not come loose;
- ❑ Fit the standard wheel by inserting the first stud (B) for two threads in the hole closest to the inflation valve (A);
- ❑ for cars fitted with press-fit wheel cap, press the cap edge with your palms (without hitting it) against the wheel;
- ❑ Fit the wheel cap, making the symbol  (on the back of the cap) coincide with the inflation valve and fit the other three bolts;
- ❑ Fasten bolts using the wrench provided;
- ❑ Lower the car and remove the jack;
- ❑ fasten the bolts in the order shown above.

IMPORTANT Incorrect fitting may cause the wheel cap to come off when the car is travelling.



DASHBOARD
AND
CONTROLS

SAFETY
DEVICES

CORRECT USE
OF THE CAR

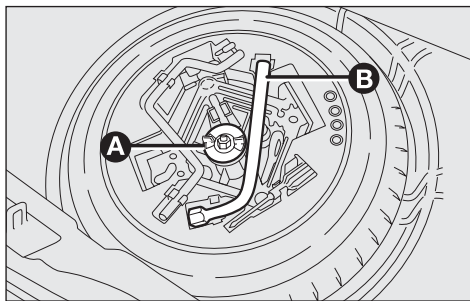
WARNING
LIGHTS AND
MESSAGES

IN AN
EMERGENCY

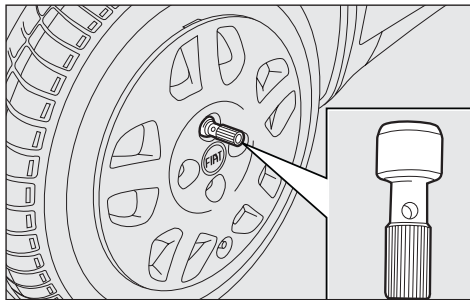
CAR
MAINTENANCE

TECHNICAL
SPECIFICATIONS

INDEX



F010110m



F010118m

When you have finished

- Stow the spare wheel in the space provided in the boot;
- Refit the jack in its support as shown on the tool container;
- Put the tools back into their places in the container;
- Stow the container complete with tools on the spare wheel;
- Fasten the tool container retainer (A).

Use the extension shown in the figure to fasten or loosen the inflation valve.

IMPORTANT Do not use inner tubes with Tubeless tyres.

FIX & GO (QUICK TYRE REPAIR KIT) (where provided)

On request the car can be fitted with a quick tyre repair kit, called “Fix & Go”, replacing the common tool kit and the spare wheel.

The Fix & Go kit is located in the boot under the moquette covering and it includes the following:

- a cylinder (A) containing the sealing fluid with filler hose and a sticker (B) with caution “MAX 80 km/h”, to be affixed in a visible position for the driver (instrument panel) after repairing the tyre;
- a compressor (C) including gauge, connections and tool for removing the valve body; the latter can be found by opening the compressor slide lid (D).

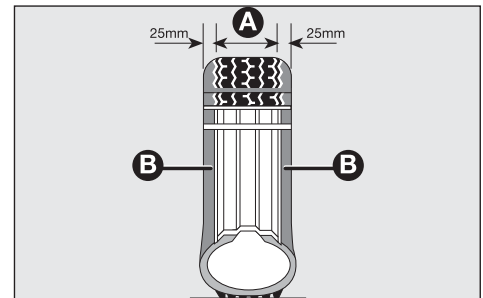
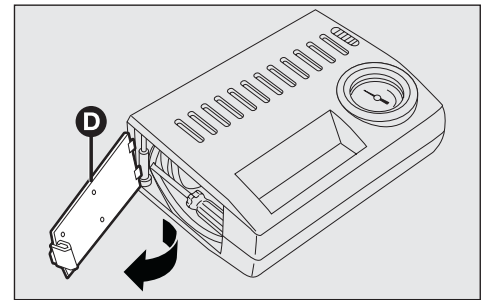
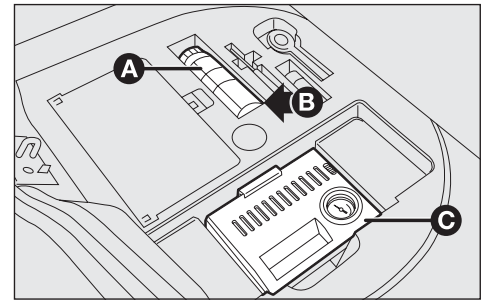
IMPORTANT If puncture has been caused by foreign bodies, it is possible to repair tyres showing damages up to max 4 mm diameter.

The figure shows:

(A): repairable tyre areas
(holes or damages with max. 4 mm diameter);

(B): tyre areas NOT repairable.

IMPORTANT Holes and damages on the tyre side walls cannot be repaired; permanent sealing of damages located on tyre tread within 25 mm from tyre side wall is not guaranteed. Check tyre side walls accurately.



DASHBOARD
AND
CONTROLS

SAFETY
DEVICES

CORRECT USE
OF THE CAR

WARNING
LIGHTS AND
MESSAGES

IN AN
EMERGENCY

CAR
MAINTENANCE

TECHNICAL
SPECIFICATIONS

INDEX

IMPORTANT Do not use the quick tyre repair kit if damaging is due to running with flat tyre.

It should be noticed that:

The sealing fluid of the quick tyre repair kit, effective with external temperatures between -30°C and $+80^{\circ}\text{C}$, is not suitable for final repair.

The fluid inside the tyre can be easily removed with water.

The sealing fluid has unlimited life.

**WARNING**

Repairs are not possible in case of damages on the wheel rim (bad groove distortion causing air loss) or tyre out of the limit areas previously described. Do not remove foreign bodies (screws or nails) from the tyre.

**WARNING**

Caution! The cylinder contains propylene glycol; this substance can be harmful and irritant: do not swallow and avoid contact with eyes, skin and clothes; in case of contact rinse immediately with water. Call the doctor in case of allergic reactions. Keep the cylinder in the case provided for the purpose and far from heat or children.

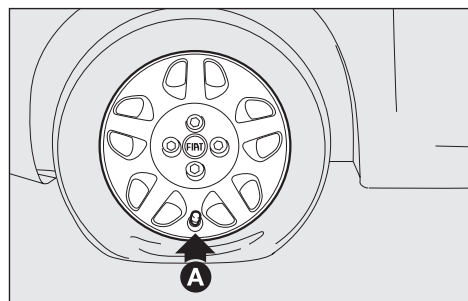
**WARNING**

The compressor shall not be operated for more than 20 minutes. Risk of overheating!

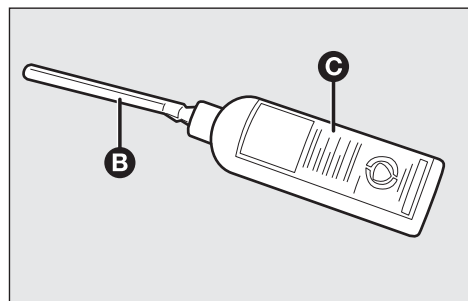
INFLATING PROCEDURE

Proceed as follows:

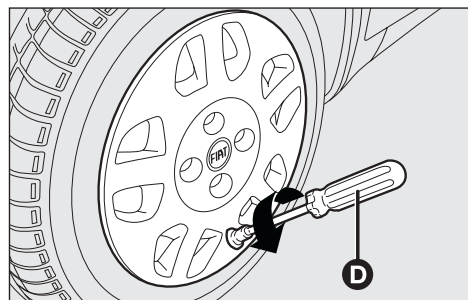
- ❑ Position the involved wheel with the inflation valve (A) set as shown in the figure, then pull up the handbrake;
- ❑ Screw the filler hose (B) to the cylinder (C);
- ❑ Loosen tyre inflation valve cap, remove valve internal element using the proper tool (D), taking care to protect it against sand or dirt;



F010122m



F010123m



F010124m

DASHBOARD
AND
CONTROLS

SAFETY
DEVICES

CORRECT USE
OF THE CAR

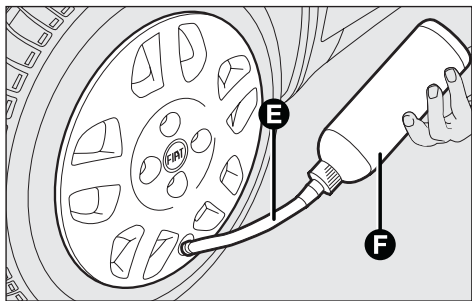
WARNING
LIGHTS AND
MESSAGES

IN AN
EMERGENCY

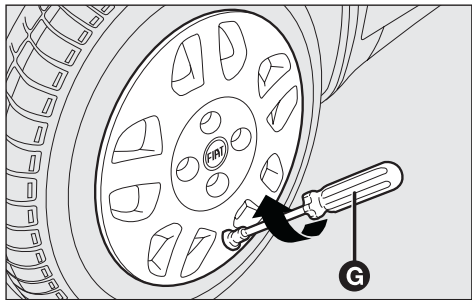
CAR
MAINTENANCE

TECHNICAL
SPECIFICATIONS

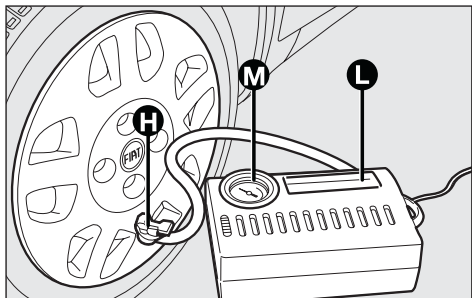
INDEX



F010125m



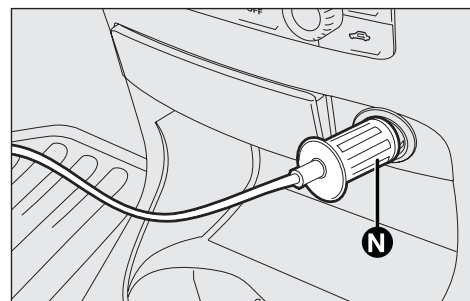
F010126m



F010127m

- ❑ Fit the filler hose (E) to the tyre inflation valve, keep the cylinder (F) with the hose set downwards then press to make the sealing fluid flowing into the tyre;
- ❑ Refit valve internal element using tool (G);
- ❑ Engage and then lock, using the proper lever (H) the air compressor hose (L) to the tyre inflation valve;
- ❑ Start the engine, fit the plug (N) in the cigar lighter (or 12V outlet) and inflate the tyre to the proper pressure value. Check tyre pressure on gauge (M) with compressor to obtain precise reading;
- ❑ Should it be impossible to reach the pressure specified, move the car forward or backward for approx. ten metres in order to distribute the sealing fluid inside the tyre, then repeat the inflation operation;
- ❑ If after this operation it is still impossible to obtain the specified pressure, stop driving and contact immediately Fiat Dealership;

- ❑ After reaching the proper tyre pressure, start driving immediately to distribute the sealing fluid inside the tyre evenly. After about 10 minutes, stop and check the tyre pressure again; engage the handbrake;
 - ❑ Drive with the utmost care to the nearest Fiat Dealership to have the tyre checked and repaired or replaced. It is of vital importance to communicate that the tyre has been repaired using the quick tyre kit
- IMPORTANT** Tyre repaired with this kit can be used only temporarily.



F010119m



WARNING

Apply the sticker in a visible position for the driver to indicate that the tyre has been treated with the quick tyre repair kit. Drive carefully especially when cornering. Do not exceed 80 km/h and avoid heavy braking and accelerating.



WARNING

If read pressure is below 1.3 bar, stop immediately and contact Fiat Dealership. If read pressure is equal to at least 1.3 bar, restore proper pressure (engine running and handbrake on) and then drive with the utmost care.



WARNING

If when restoring pressure it is impossible to reach at least 1.8 bar, stop immediately since the tyre is too damaged and the quick repair kit cannot guarantee proper seal, contact Fiat Dealership.

DASHBOARD AND CONTROLS

SAFETY DEVICES

CORRECT USE OF THE CAR

WARNING LIGHTS AND MESSAGES

IN AN EMERGENCY

CAR MAINTENANCE

TECHNICAL SPECIFICATIONS

INDEX

WHEN NEEDING TO CHANGE A BULB

GENERAL INSTRUCTIONS

- When a light is not working, check that the corresponding fuse is intact before changing a bulb. For the location of fuses, refer to the paragraph “If a fuse blows” in this section;
- Before changing a bulb check the contacts for oxidation;
- Burnt bulbs must be replaced by others of the same type and power;
- Always check the height of the headlight beam after changing a bulb.



Halogen bulbs must be handled touching only the metallic part. If the transparent bulb is touched with the fingers, its lighting intensity is reduced and life of the bulb may be compromised. If touched accidentally, rub the bulb with a cloth moistened with alcohol and leave it to dry.



WARNING

Halogen bulbs contain pressurised gas, in the case of breakage they may burst.



WARNING

Alterations or repairs to the electric system not carried out correctly and without taking into account of the system specifications may cause failures and the risk of fire.



WARNING

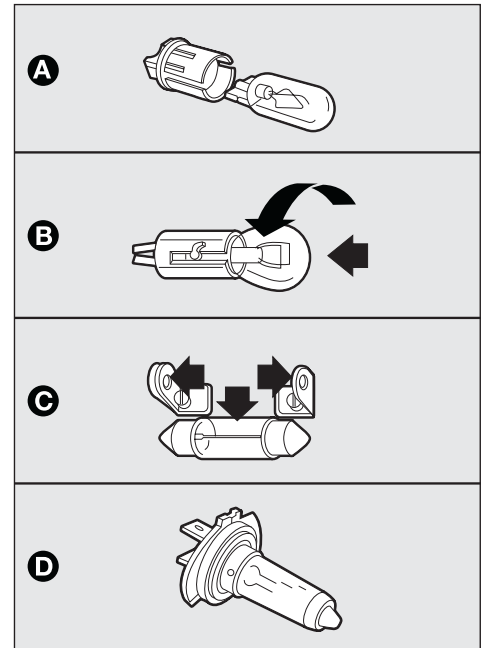
Where possible, it is advisable to have bulbs changed c/o Fiat Dealership. The correct operation and aiming of the outer lights are vital to safety of the car and its passengers and the subject of specific laws.

IMPORTANT The headlight inner surface might be slightly misted: this should not be considered irregular but a natural phenomenon due to low temperature and the air humidity level. Misting will disappear as soon as the headlights are turned on. Drops inside the headlight mean water infiltration: contact Fiat Dealership.

TYPES OF BULBS

Various types of bulbs are fitted to your car:

- (A) All glass bulbs: these are pressed on. Pull to remove.
- (B) Bayonet type bulbs: press the bulb, and turn counterclockwise to remove this type of bulb from its holder.
- (C) Tubular bulbs: free them from their contacts to remove.
- (D) Halogen bulbs: to remove, free it from the clip on its housing.



F010128m

DASHBOARD
AND
CONTROLS

SAFETY
DEVICES

CORRECT USE
OF THE CAR

WARNING
LIGHTS AND
MESSAGES

IN AN
EMERGENCY

CAR
MAINTENANCE

TECHNICAL
SPECIFICATIONS

INDEX

Bulbs	Ref. figure	Type	Power
Main beam headlights	D	H1	55W
Dipped beam headlights	D	H7	55W
Front sidelights	A	W5W	5W
Taillights	B	R10W	10W
Front direction indicators	B	PY21W	21W
Side direction indicators	A	W5W	5W
Rear direction indicators	B	P21W/PY21W(*)	21W
Front fog lights	-	H3	55W
Brake lights	B	P21W	21W
Third stop (additional braking light)	A	W5W	5W
Reversing light	B	P21W	21W
Rear fog light	B	P21W	21W
Number plate light	A	W5W	5W
Ceiling light:			
- with toggle lens	C	C10W	10W
- with map lights	C	C10W	10W
Boot light	A	W5W	5W

IF AN EXTERIOR LIGHT BURNS OUT

For the type of bulb and power rating, see “When needing to change a bulb”.

FRONT LIGHT UNITS

The front light units contain: sidelights, dipped beam, main beam and direction indicator bulbs.

The bulbs are arranged inside the light unit as follows:

- (1): sidelights/main beam headlights;
- (2): dipped beam headlights;
- (3): direction indicators.

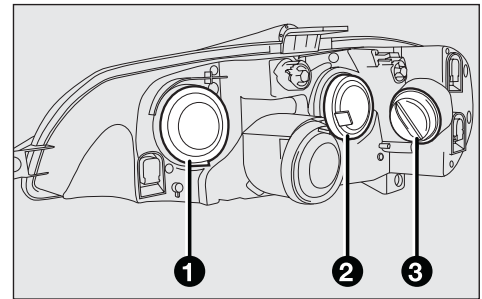
IMPORTANT After replacement, refit the covers correctly checking that they are properly secured.

MAIN BEAM HEADLIGHTS

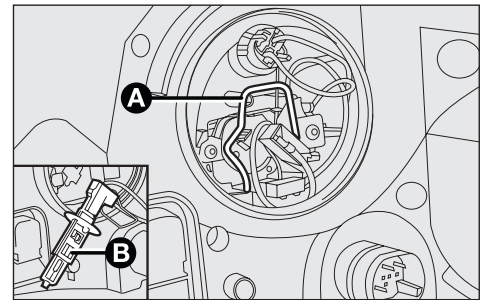
To change the bulb, remove the protective cover (1), release the catch (A) and remove the bulb (B).

DIPPED BEAM HEADLIGHTS

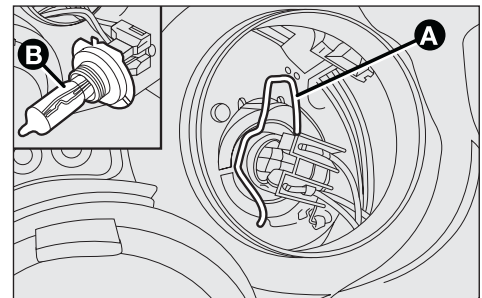
To change the bulb, remove the protective cover (2), release the catch (A) and remove the bulb (B).



F010138m



F010215m



F010186m

DASHBOARD
AND
CONTROLS

SAFETY
DEVICES

CORRECT USE
OF THE CAR

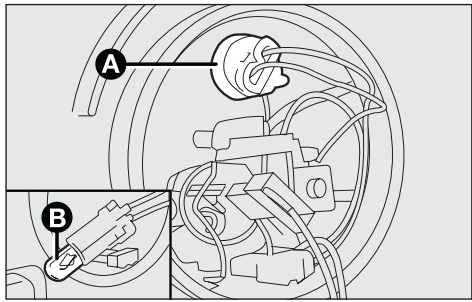
WARNING
LIGHTS AND
MESSAGES

IN AN
EMERGENCY

CAR
MAINTENANCE

TECHNICAL
SPECIFICATIONS

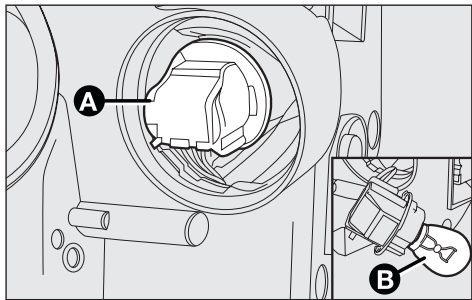
INDEX



F010188m

FRONT SIDELIGHTS

To change the bulb, remove the protective cover (1), remove connector (A) and remove the bulb (B).



F010187m

DIRECTION INDICATORS

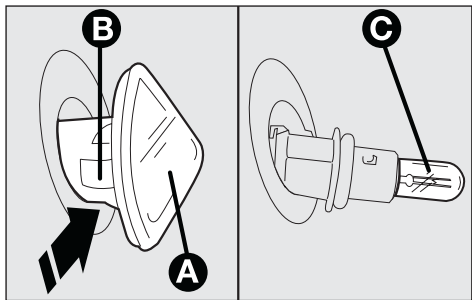
Front

To change the bulb, remove the protective cover (3), turn connector (A) clockwise and remove the bulb (B).

Side

To change the bulb, proceed as follows:

- Press the lens (A) in the direction of the arrow (opposite to running direction) so to compress the clip (B) and remove the cluster;
- Turn the lens (A) counterclockwise and remove it; then remove the snap-fitted bulb (C).



F010139m

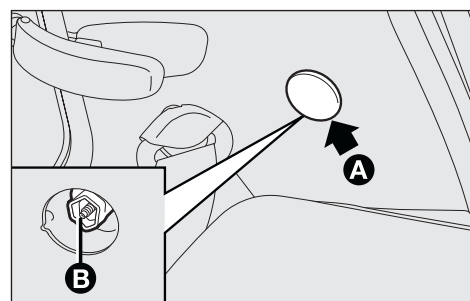
FRONT FOG LIGHTS

Go to a Fiat Dealership to have bulbs replaced.

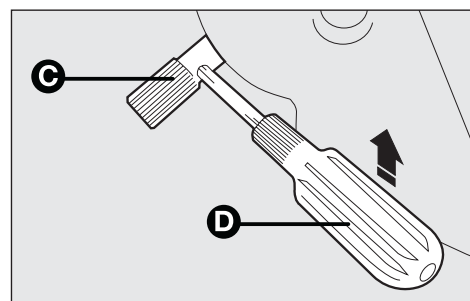
REAR LIGHT UNIT

To change the bulb, proceed as follows:

- ❑ from inside the car, remove the upper plastic cover (A) with the screwdriver provided to reach fastener (B);
- ❑ from inside the boot, fit extension (C) on the light cluster fastening nuts;
- ❑ insert the provided screwdriver (D) in the hole in the extension and loosen the light cluster fastening nuts;
- ❑ withdraw the connector and loosen the fastening screws shown in the figure by the arrows;
- ❑ remove the bulbs by pushing them slightly and turning them anticlockwise (bayonet coupling).



F010163m



F010162m

DASHBOARD
AND
CONTROLS

SAFETY
DEVICES

CORRECT USE
OF THE CAR

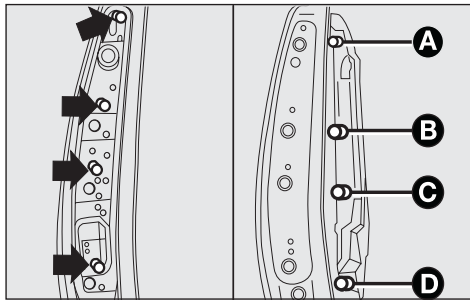
WARNING
LIGHTS AND
MESSAGES

IN AN
EMERGENCY

CAR
MAINTENANCE

TECHNICAL
SPECIFICATIONS

INDEX



F010213m

The bulbs are arranged inside the light unit as follows:

(A) - Side/taillight bulb

(B) - Brake light bulb

(C) - Direction indicator bulb

(D) - Bulb for:

left-hand cluster: rear fog light

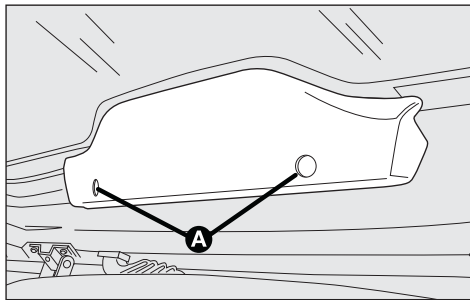
right-hand cluster: reversing light.

ADDITIONAL BRAKING LIGHT (THIRD STOP)

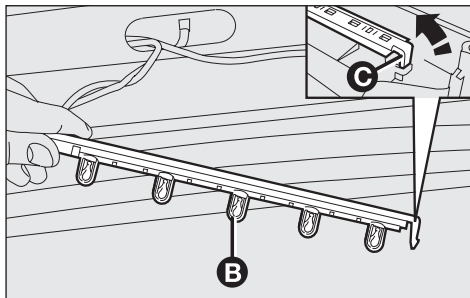
To change the bulb, proceed as follows:

open the tailgate and loosen screws (A);

release the clip (B) and open the bulb holder, then remove the bulb (C) to be replaced (clipped in).



F010099m

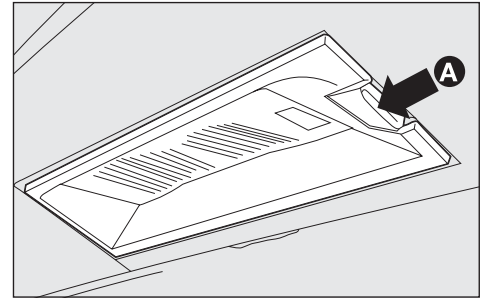


F010100m

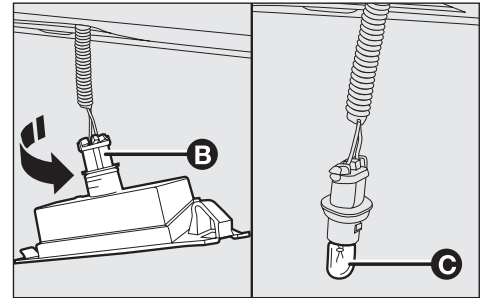
NUMBER PLATE LIGHT

To change the bulb, proceed as follows:

- release the tab (A) and remove the cluster;
- turn the bulb holder (B) anticlockwise and remove the bulb (C).



F010102m



F010103m

DASHBOARD
AND
CONTROLS

SAFETY
DEVICES

CORRECT USE
OF THE CAR

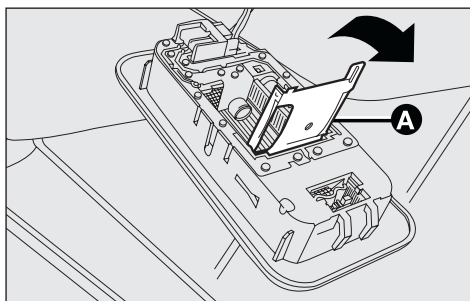
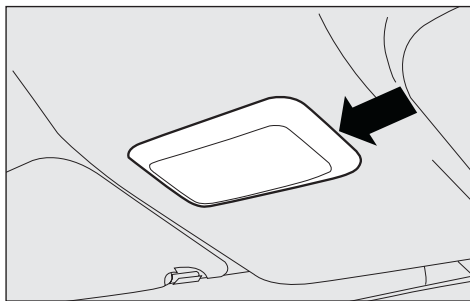
WARNING
LIGHTS AND
MESSAGES

IN AN
EMERGENCY

CAR
MAINTENANCE

TECHNICAL
SPECIFICATIONS

INDEX



IF AN INTERIOR LIGHT BURNS OUT

For the type of bulb and power rating, see “When needing to change a bulb”.

CEILING LIGHT

With toggling lens

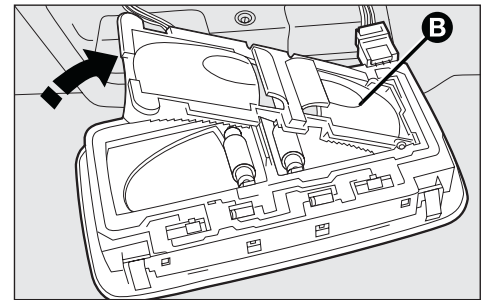
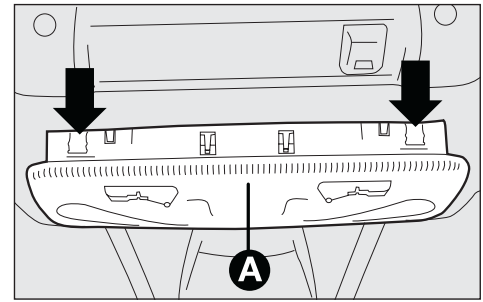
To change the bulb, proceed as follows:

- remove the ceiling light by releasing the clipped on lens frame in the point shown by the arrow;
- open the container (A) and replace the burnt-out bulb.

With map reading lights

To change the bulb, proceed as follows:

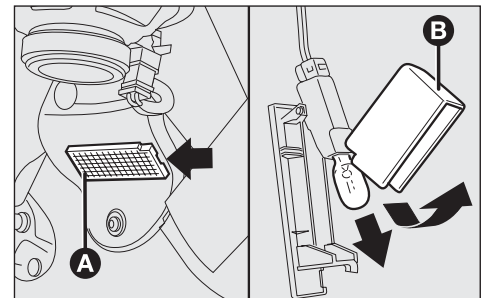
- ❑ remove the ceiling light (A) as shown by the arrows;
- ❑ open the container (B) and replace the burnt-out bulb.

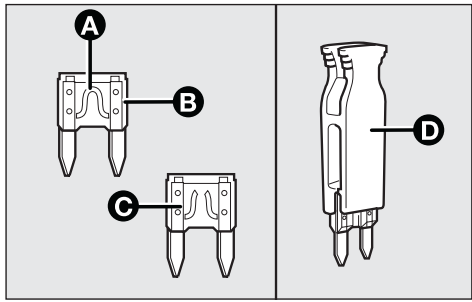


BOOT LIGHT (where provided)

To change the bulb, proceed as follows:

- ❑ remove the lens (A) as shown by the arrow;
- ❑ lift protection (B) and remove the bulb (clipped in).





IF A FUSE BLOWS

GENERAL

The fuse is a protective device for the electric system: it comes into action (i.e. it cuts off) mainly due to a fault or improper action on the system.

When a device does not work, check the efficiency of its fuse. The conductor element (A) must be intact. If not, replace the fuse with one of the same amp rating (same colour).

(B): undamaged fuse

(C): fuse with damaged filament.

To facilitate fuse replacement, use the pliers (D) located in the fuse box.



Never replace a fuse with metal wires or anything else.



WARNING Never replace a fuse with another with a higher amp rating; **DANGER OF FIRE.**



WARNING If a general fuse (MAXI-FUSE) cuts in, do not attempt any repair and contact a Fiat Dealership. Before replacing a fuse, make sure the ignition key has been removed and that all the other services are switched off and/or disengaged.



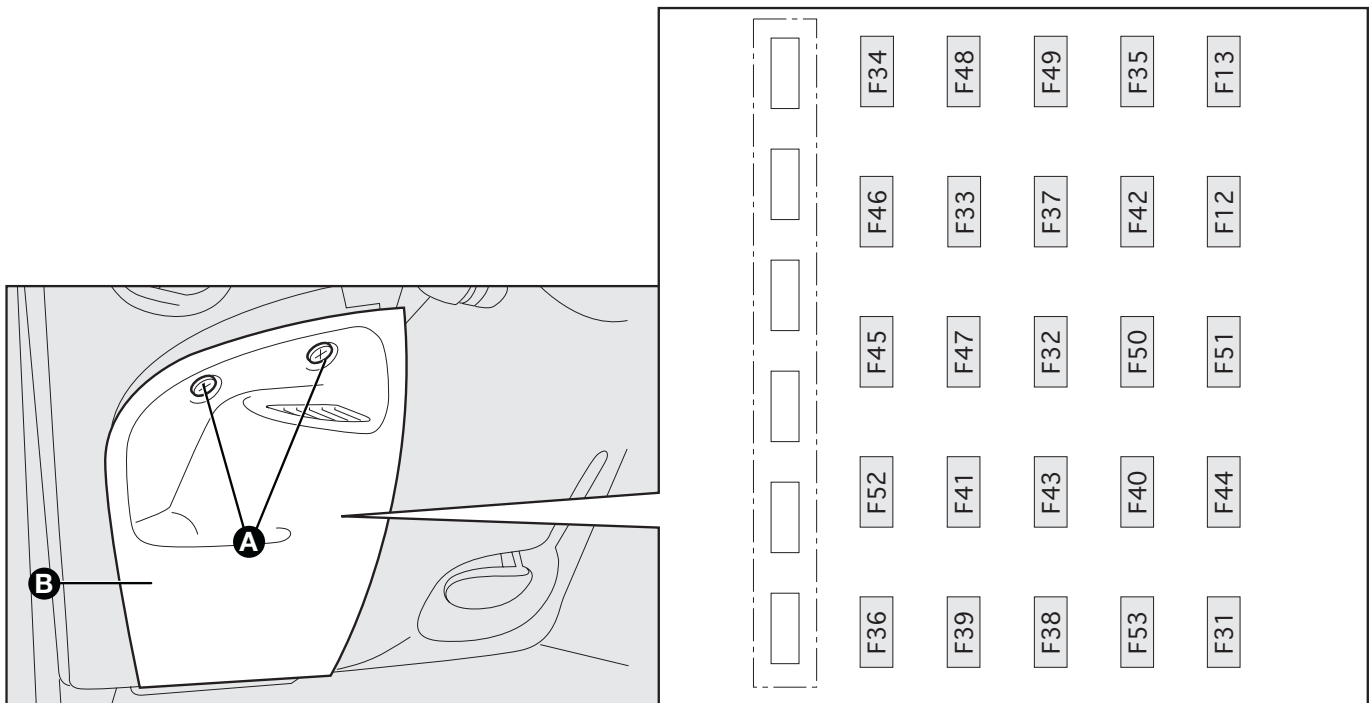
WARNING If fuse blows again, contact a Fiat Dealership.

FUSE LOCATION

The fuses of the car are grouped into two fuse boxes (three for versions with Dualogic gearbox) to be found respectively on the dashboard and in the engine compartment.

Fuse box on the dashboard

Loosen the two screws (A) and open the cover (B) to reach the fuses in the dashboard fuse box. Refer to the table on the following pages to identify the fuses.



F010060m

DASHBOARD AND CONTROLS

SAFETY DEVICES

CORRECT USE OF THE CAR

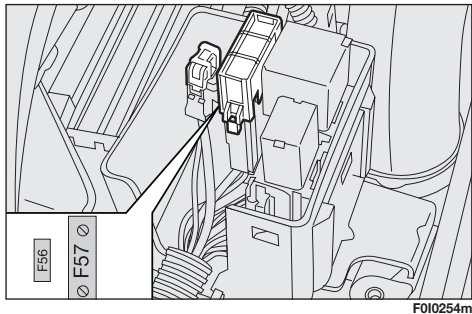
WARNING LIGHTS AND MESSAGES

IN AN EMERGENCY

CAR MAINTENANCE

TECHNICAL SPECIFICATIONS

INDEX



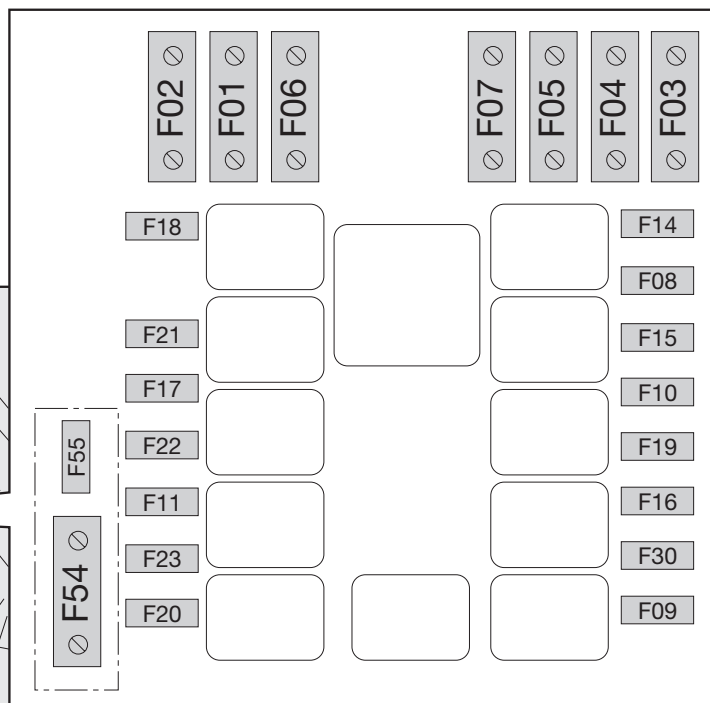
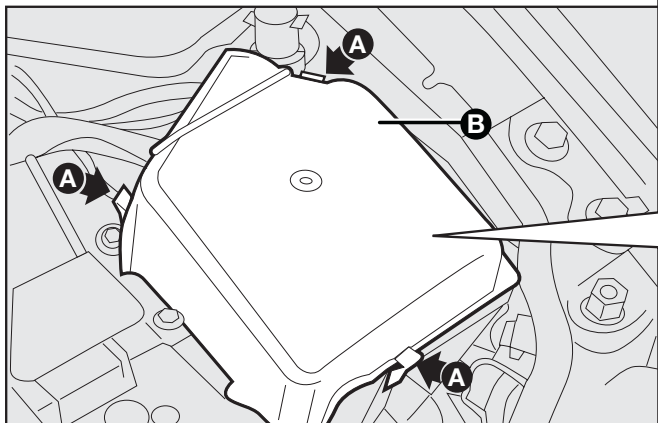
F010254m

Fuse box near the battery (only versions with Dualogic gearbox)

For the location of the protection fuse, see the Speedgear/Dualogic supplement attached to this handbook.

Fuse box in the engine compartment

Loosen the retainers (A) and remove the cover (B). Refer to the table on the following pages to identify the fuses.



F010059m

FUSE SUMMARY TABLE

LIGHTS	FUSE	AMPERE
Right dipped-beam headlight	F12	10
Left dipped-beam headlight, headlight aiming device	F13	10
Right main-beam headlight	F14	10
Left main-beam headlight	F15	10
Boot	F39	10
Hazard lights	F53	10
Fog lights	F30	15
Direction indicators	F53	10
Dashboard instrument lights	F51	7.5
Cigar lighter	F51	7.5
Light system	F32	15
Ceiling light	F39	10
Instrument panel and warning lights (ignition switch powered)	F37	10
Instrument panel and warning lights (battery powered)	F53	10
Reversing light	F31	7.5
Brake lights	F37	10
Number plate light	F51	7.5
Additional brake light (third stop light)	F37	10
SERVICES	FUSE	AMPERE
Cigar lighter	F44	20
Air bag	F50	7.5
Dashboard power: optional functions	F02 - MAXI FUSE	40

DASHBOARD
AND
CONTROLS

SAFETY
DEVICES

CORRECT USE
OF THE CAR

WARNING
LIGHTS AND
MESSAGES

IN AN
EMERGENCY

CAR
MAINTENANCE

TECHNICAL
SPECIFICATIONS

INDEX

SERVICES	FUSE	AMPERE
Dashboard power: standard functions	F01 - MAXI FUSE	70
Manual climate control	F31	7.5
ABS/ESP system	F04 - MAXI FUSE	60
Right front power window	F48	20
Left front power window	F47	20
Door locking system	F38	20
Engine compartment ECU remote switch coils	F31	7.5
Ignition coils	F22	20
Engine control system secondary loads	F11	15
ABS control unit (ignition switch powered)	F42	7.5
Engine control unit (+battery)	F18	7.5
Engine control unit (power)	F17	10
Engine control unit (ignition switch powered)	F16	7.5
Parking assistance control unit	F31	7.5
Glow plug control unit	F11	15
Horn	F10	15
Manual climate control compressor	F19	7.5
Headlight aiming device	F13	10
Ignition switch	F03 - MAXIFUSE	20
Petrol fume recirculation solenoid valve	F11	15
Heated diesel fuel filter	F20	20
Tachometer generator	F11	15
Glow plug heating system	F54 - MAXI FUSE	60

SERVICES	FUSE	AMPERE
Subwoofer system	F36	15
Injectors	F22	20
Headlight washer	F09	20
Heated rear window	F40	25
One-speed radiator fan (1.28V and 1.216V versions with heater)	F06 - MAXIFUSE	30
Fuel pump (1.28V version)	F22	20
Fuel pump	F21	15
Windscreen/rear window washer pump	F43	30
Radiator fan first speed (1.28V and 1.216V versions with manual climate control system)	F06 - MAXIFUSE	30
Radiator fan first speed (1.816V and 1.9JTD versions)	F06 - MAXIFUSE	30
Radiator fan second speed (1.28V and 1.216V versions with manual climate control system)	F07 - MAXIFUSE	50
Radiator fan second speed (1.816V and 1.9JTD versions)	F07 - MAXIFUSE	40
Front heated seats	F45	15
Water in diesel fuel filter sensor (diesel versions)	F35	10
+ 30 utilities (sound system, automatic climate control system, cellular phone presetting, EOBD diagnostic socket)	F39	10
+ 15 utilities (sound system, automatic climate control switch, Cruise Control, ASR system cut-out control, cellular phone presetting, dashboard control lights, heated seat switch, ESP system sensors, rain sensor, fastened seat belt warning light)	F49	7.5
Brake pedal switch	F42	7.5
Electric power steering	F35	10
Electric power steering	F05 - MAXIFUSE	60
Lambda sensor	F11	15

DASHBOARD AND CONTROLS
SAFETY DEVICES
CORRECT USE OF THE CAR
WARNING LIGHTS AND MESSAGES
IN AN EMERGENCY
CAR MAINTENANCE
TECHNICAL SPECIFICATIONS
INDEX

SERVICES	FUSE	AMPERE
Engine cooling system relay	F18	7.5
Engine control system relay	F16	7.5
Heated rearview mirrors	F41	7.5
Windscreen wiper	F43	30
Rear window wiper	F52	15
Sunroof	F46	15
Passenger compartment fan	F08	30
Free	F33	–
Free	F34	–

IF THE BATTERY IS FLAT

IMPORTANT Battery recharging procedure is given as information only since this operation shall be only performed at a Fiat Dealership.

Charging should be slow at a low amp rating for 24 hours. Charging for a longer time may damage the battery.

Charge the battery as follows:

- disconnect battery negative terminal;
- connect the charger cables to the battery terminals, observing the poles;
- turn on the charger;
- when you have finished, turn the charger off before disconnecting the battery;
- reconnect battery negative terminal.



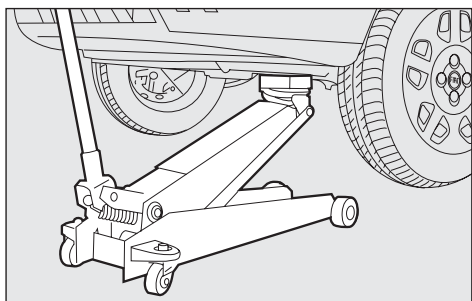
WARNING

The liquid contained in the battery is poisonous and corrosive. Avoid contact with the skin or eyes. The battery should be charged in a well ventilated place, away from naked flames or possible sources of sparks: danger of explosion and fire.



WARNING

Do not attempt to charge a frozen battery: it must firstly be thawed, otherwise it may burst. If freezing has occurred, the battery should be checked by skilled personnel to make sure that the internal elements are not damaged and that the body is not cracked, with the risk of leaking poisonous and corrosive acid.



F010171m

JACKING THE CAR

WITH THE JACK

See “If a tyre is punctured” in this section.

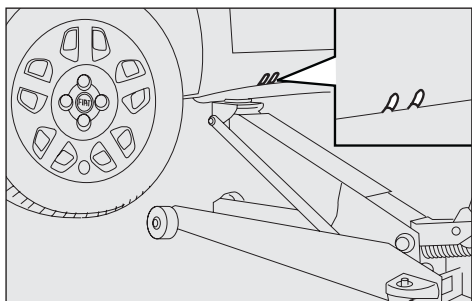
WITH A SHOP JACK

From the front

Jack up the car only by positioning the jack arm at the gearbox/differential and placing a rubber pad in between as shown in the figure.

From the side

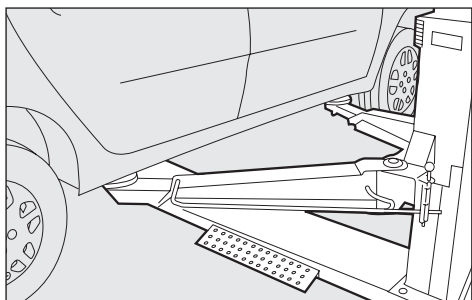
The car can only be jacked up by positioning the arm at the reference points in the area shown in the figure. Place a piece of rubber of suitable thickness in between.



F010172m

WITH AN ARM HOIST

Jack up the car by arranging the ends of the arms in the areas shown in the figure.



F010173m

TOWING THE CAR

The tow ring provided with the car is housed in the tool box under the boot mat.

TOW HOOK PLUG REMOVAL PROCEDURE

To prevent damaging plug (A), proceed as follows:

- ❑ take the screwdriver provided out of the tool container;
- ❑ fit the screwdriver down into the plug slot (B) for about 1 cm;
- ❑ place your thumb on the plug to prevent damaging it (see figure);
- ❑ remove the plug (without turning it) making a movement perpendicular to the supporting surface (see figure).

SPORTING, HGT and SOUND versions

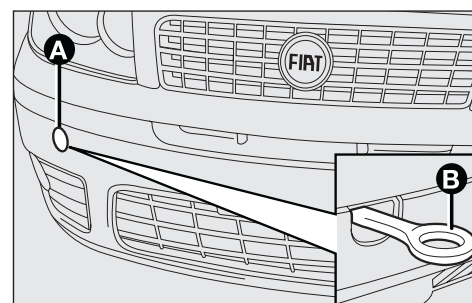
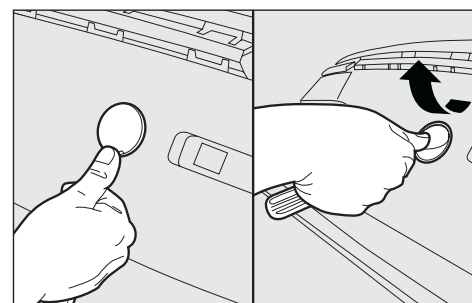
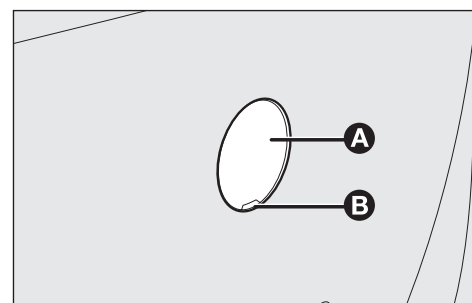
To prevent damaging plug (A), proceed as follows:

- ❑ fit the screwdriver down into slot (B);
- ❑ remove plug (A) by levering outwards.

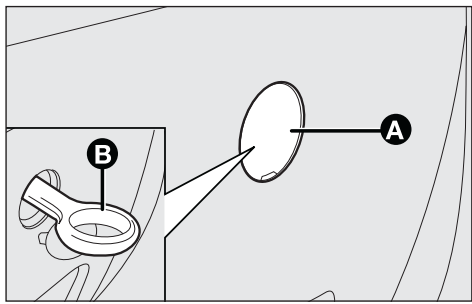
TOW RING HOOKING

Proceed as follows:

- ❑ take the tow hook from its support;
- ❑ tighten the hitch (B) on the front or rear threaded pin.



Front bumper



Rear bumper

F010251m

TOWING PROCEDURE FOR VERSIONS WITH SPEEDGEAR AND DUALOGIC TRANSMISSION

For versions with Speedgear or Dualogic transmission, carry out the above procedure and see the Supplement annexed to this Owner Handbook.



WARNING

Before starting to tow, turn the ignition key to MAR and then to STOP. Do not remove the key. If the key is removed, the steering lock engages automatically resulting in the impossibility to steer the wheels.



WARNING

When towing, remember that without the help of the servobrake and power steering, a greater effort is required on the pedal and steering wheel. Do not use flexible cables for towing and avoid jerks. During towing operations make sure that fastening the joint to the car does not damage the components in contact with it. When towing the car, you must comply with the specific traffic regulations regarding the tow ring and how to tow on the road.



WARNING

Do not start the engine when towing the vehicle.

CAR MAINTENANCE

SCHEDULED SERVICING.....	236
SERVICE SCHEDULE.....	237
ANNUAL INSPECTION SCHEDULE.....	239
ADDITIONAL CHECKS.....	239
CHECKING FLUID LEVELS.....	242
POLLEN FILTER.....	250
AIR CLEANER.....	250
DIESEL FUEL FILTER.....	253
BATTERY.....	254
WHEELS AND TYRES.....	257
RUBBER HOSES.....	259
WINDSCREEN/REAR WINDOW WIPERS.....	259
BODYWORK.....	262
INTERIORS.....	264

DASHBOARD AND CONTROLS
SAFETY DEVICES
CORRECT USE OF THE CAR
WARNING LIGHTS AND MESSAGES
IN AN EMERGENCY
CAR MAINTENANCE
TECHNICAL SPECIFICATIONS
INDEX

SCHEDULED SERVICING

Correct maintenance is essential for ensuring long car life under the best conditions.

This is why Fiat has programmed a series of checks and maintenance operations every 20,000 km.

It is however important to remember that scheduled servicing does not completely cover all the car's requirements: also in the initial period before 20,000 km service coupon and later, between one coupon and another, ordinary care is still required such as for example routine check and topping up the level of fluids, tyre pressure check, etc...

IMPORTANT The Programmed Maintenance coupons are specified by the Manufacturer. The failure to have them carried out may invalidate the warranty.

Scheduled Servicing is performed by all Fiat Dealership, at pre-established times.

If during each operation, in addition to the ones programmed, the need arises for further replacements or repairs, these may be carried out only with the explicit agreement of the Customer.

IMPORTANT You are advised to contact Fiat Dealership in the event of any minor operating faults, without waiting for the next service coupon.

If your car is used frequently for towing, the interval between one service coupon and the other must be reduced.

SERVICE SCHEDULE

Thousands of km	20	40	60	80	100	120	140	160	180
Check tyre conditions/wear and adjust pressure if required	●	●	●	●	●	●	●	●	●
Check light system operation (headlights, direction indicators, hazard lights, boot lights, passenger compartment lights, dashboard warning lights, etc.)	●	●	●	●	●	●	●	●	●
Check windscreen wiper/washer operation, adjust nozzles	●	●	●	●	●	●	●	●	●
Check windscreen/rear window blade position/wear	●	●	●	●	●	●	●	●	●
Check front disk brake pad conditions and wear	●	●	●	●	●	●	●	●	●
Check rear disk brake pad conditions and wear (1.816V and 1.9 Multijet HGT versions)		●		●		●		●	
Check rear drum brake lining conditions and wear			●			●			●
Sight inspect the conditions of: body external parts, underbody protection, pipes and hoses (exhaust, fuel, brakes), rubber parts (boots, sleeves, bushes, etc.)	●	●	●	●	●	●	●	●	●
Check for bonnet and boot lock cleanness, lever cleanness and lubrication	●	●	●	●	●	●	●	●	●
Check tension and adjust accessory drive belts (excluding engines with automatic belt tighteners)	●								
Check tension and adjust accessory drive belts		●		●		●		●	
Check and adjust tappet clearance (1.9 JTD and 1.9 Multijet versions)	●	●		●		●		●	

DASHBOARD AND CONTROLS

SAFETY DEVICES

CORRECT USE OF THE CAR

WARNING LIGHTS AND MESSAGES

IN AN EMERGENCY

CAR MAINTENANCE

TECHNICAL SPECIFICATIONS

INDEX

Thousands of km	20	40	60	80	100	120	140	160	180
Check and adjust tappet clearance (1.28V versions)		●		●		●		●	
Check and adjust handbrake lever stroke		●		●		●		●	
Check exhaust emissions/smoke (diesel versions)		●		●		●		●	
Check antievaporation system (petrol versions)				●				●	
Change diesel fuel filter cartridge (diesel versions)			●			●			●
Change air cleaner cartridge (petrol versions)			●			●			●
Change air cleaner cartridge (1.9 JTD and 1.9 Multijet versions) (↵)	●	●	●	●	●	●	●	●	●
Check and top up, if required, fluid levels (engine coolant, brakes, windscreen washer, battery, etc.)	●	●	●	●	●	●	●	●	●
Check timing belt conditions (■)			●						●
Replace timing belt (*) (■)						●			
Change spark plugs (petrol versions)		●		●		●		●	
Check engine control system operation (through diagnosis socket)		●		●		●		●	
Check mechanical transmission oil level				●				●	
Change engine oil (↵)	●	●	●	●	●	●	●	●	●
Change engine oil filter (↵)	●	●	●	●	●	●	●	●	●
Change brake fluid (or every 2 years)			●			●			●
Change pollen filter (or every year)	●	●	●	●	●	●	●	●	●

(*) Or every 3 years for particularly demanding use:
 - cold/hot climates;
 - driving in the city idling for a long time;
 - dusty roads or roads covered with sand and/or salt
 Or every 5 years, regardless of the km covered and conditions of use.

(↵) Every 30.000 km for 1.3 Multijet versions

(■) Excluding 1.3 Multijet versions

ANNUAL INSPECTION SCHEDULE

For cars with an annual mileage of below 20,000 km (for example about 15,000 km) the following yearly inspection programme is advised:

- check tyre conditions/wear and adjust pressure if required (including the spare wheel);
- check lighting system operation (headlights, direction indicators, hazard lights, boot lights, passenger compartment lights, warning lights, etc.);
- check windscreen wiper/washer operation, adjust nozzles;
- check windscreen/rear window blade position/wear;
- check front disk brake pad conditions and wear;
- check for bonnet and boot lock cleanness, lever cleanness and lubrication
- sight inspect the conditions of: engine, gearbox, transmission, pipes and hoses (exhaust - fuel - brakes), rubber parts (boots, sleeves, bushes, etc.);
- check battery charge (by optical depth gauge);

- visual check on various drive belt conditions;
- top up fluid levels (engine coolant, brakes, windscreen washer, battery, etc.);
- change engine oil;
- change engine oil filter;
- replace pollen filter (where provided).

ADDITIONAL CHECKS

Every 1,000 km or before long journeys, check and top up if required:

- engine coolant fluid level;
- brake fluid level;
- windscreen washer fluid level;
- tyre pressure and conditions.

Every 3,000 km check and top up if required: engine oil level.

You are recommended to use FL Selenia products, designed and produced specifically for Fiat cars (see table “Capacities” in section “Technical specifications”).

IMPORTANT - Engine oil

Should prevailing use of the car be under one of the following specially heavy conditions:

- trailer or caravan towing;
- dusty roads;
- short distances (less than 7-8 km) repeated and with external temperatures below zero;
- frequently idling engines or long distance low speed driving (e.g. taxis or door-to-door deliveries) or in case of a long term inactivity;

replace engine oil more frequently than required on "Service schedule".

IMPORTANT - Air cleaner

If the car is used on dusty roads change the air cleaner more frequently than the indications in the "Service schedule".

If in doubt as to how often the engine oil and air cleaner should be changed according to how you use the car, contact a Fiat Dealership.

IMPORTANT - Pollen filter

If the vehicle is used frequently in dusty or heavily polluted environments it is advisable to replace the filtering element more frequently; in particular it should be replaced if a reduction of the amount of air admitted to the passenger compartment is noted.

IMPORTANT - Diesel filter

The possibility of topping up with diesel fuel not complying with EN590 European Norm might make it necessary to replace the filter more frequently than indicated in the "Service schedule".

IMPORTANT - Battery

The charge in the battery should be checked at the start of winter to limit the risk of electrolyte freezing.

This check should be carried out more frequently if the car is used mainly for short trips, or if it is fitted with accessories that permanently absorb electricity even with the ignition key removed, especially in the case of after market accessories. If the car is used in hot climates or particularly harsh conditions it is wise to check the level of the battery fluid (electrolyte) more frequently than specified in the “Service schedule” in this section.



Car maintenance should be entrusted to Fiat Dealership. For routine and minor maintenance operations you wish to carry out yourself, always make sure you have the proper equipment, genuine Fiat spare parts and the necessary fluids; do not however carry out these operations if you have no experience.

DASHBOARD
AND
CONTROLS

SAFETY
DEVICES

CORRECT USE
OF THE CAR

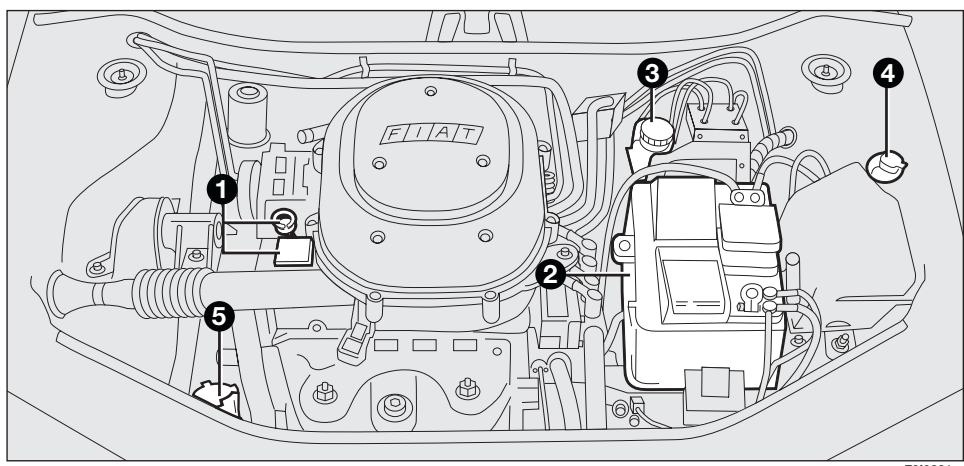
WARNING
LIGHTS AND
MESSAGES

IN AN
EMERGENCY

**CAR
MAINTENANCE**

TECHNICAL
SPECIFICATIONS

INDEX



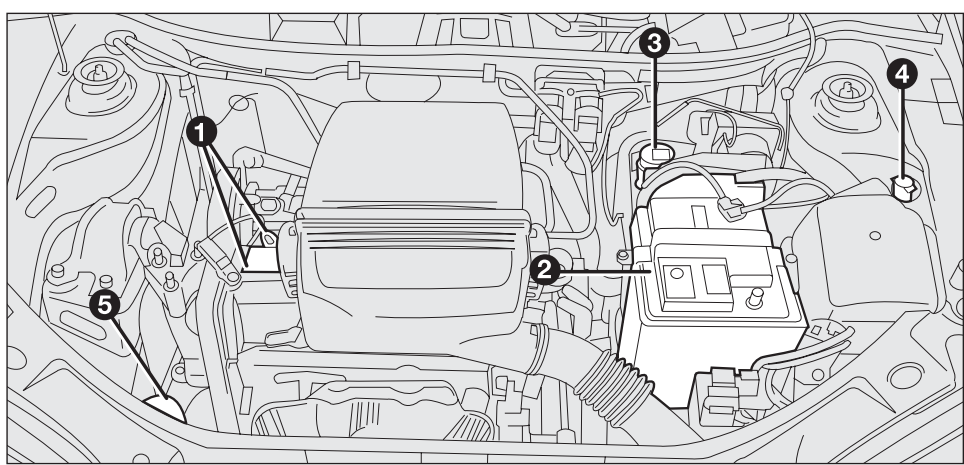
1.28V mechanical gearbox version

F010231m

CHECKING FLUID LEVELS

IMPORTANT When topping up take care not to confuse the various types of fluids: they are all incompatible with one another and could seriously damage the car.

IMPORTANT Never smoke while working in the engine compartment: gas and inflammable vapours may be present, with the risk of fire.

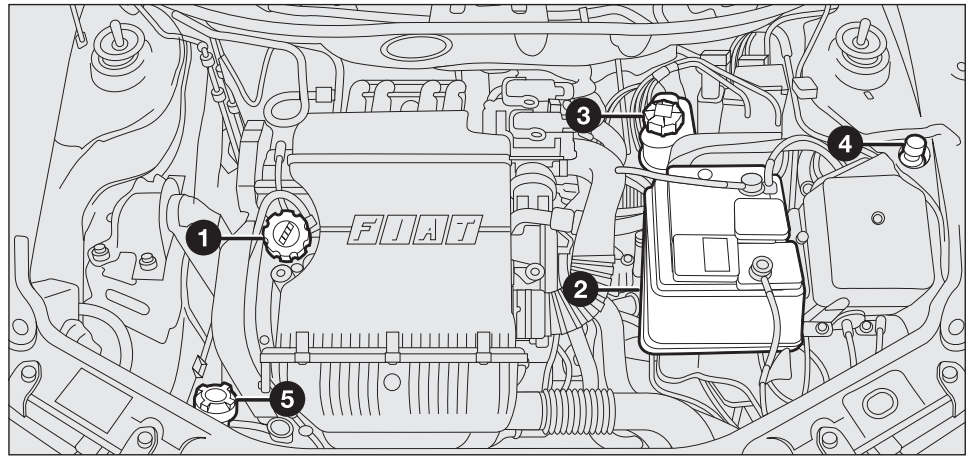


1.28V Dualogic gearbox version

F010226m

- 1 Engine oil - 2 Battery -
- 3 Brake fluid -
- 4 Windscreen/rear window/headlight washer fluid -
- 5 Engine coolant

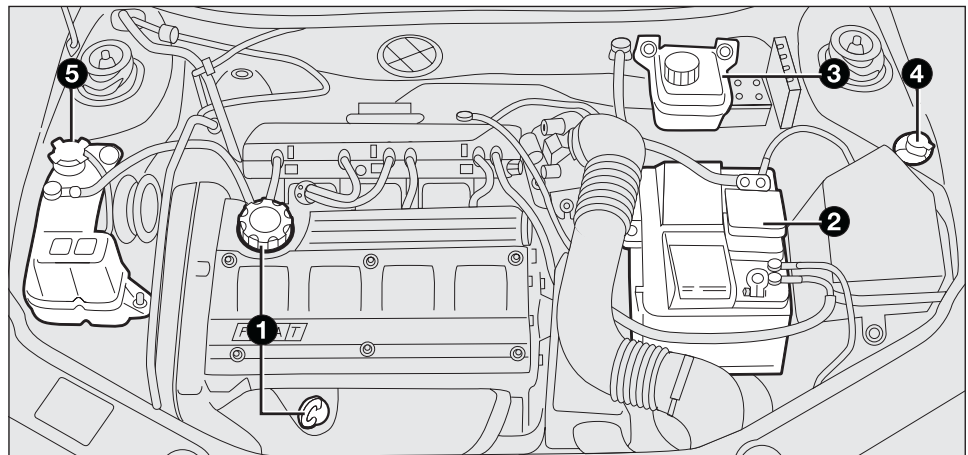
- 1 Engine oil - 2 Battery -
- 3 Brake fluid -
- 4 Windscreen/rear window/headlight washer fluid -
- 5 Engine coolant



F010072m

1.216V and 1.416V versions

- 1 Engine oil - 2 Battery -
- 3 Brake fluid -
- 4 Windscreen/rear window/headlight washer fluid -
- 5 Engine coolant



F010233m

1.816V version

DASHBOARD AND CONTROLS

SAFETY DEVICES

CORRECT USE OF THE CAR

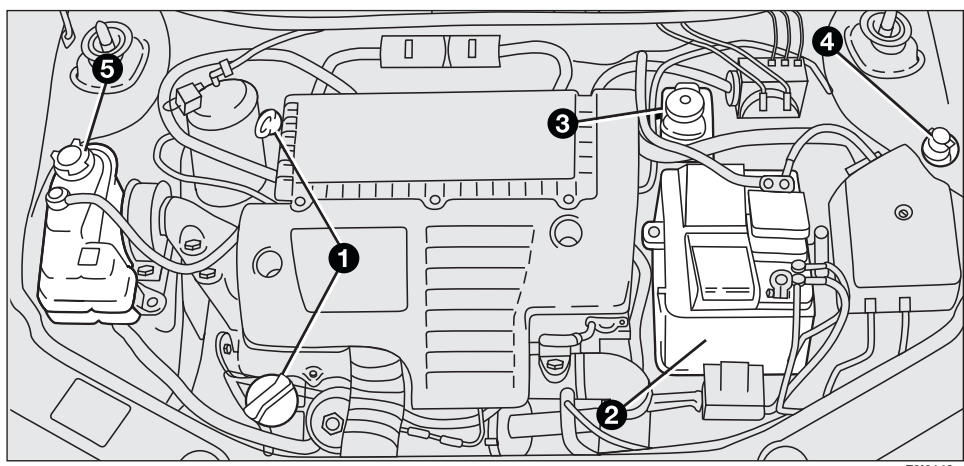
WARNING LIGHTS AND MESSAGES

IN AN EMERGENCY

CAR MAINTENANCE

TECHNICAL SPECIFICATIONS

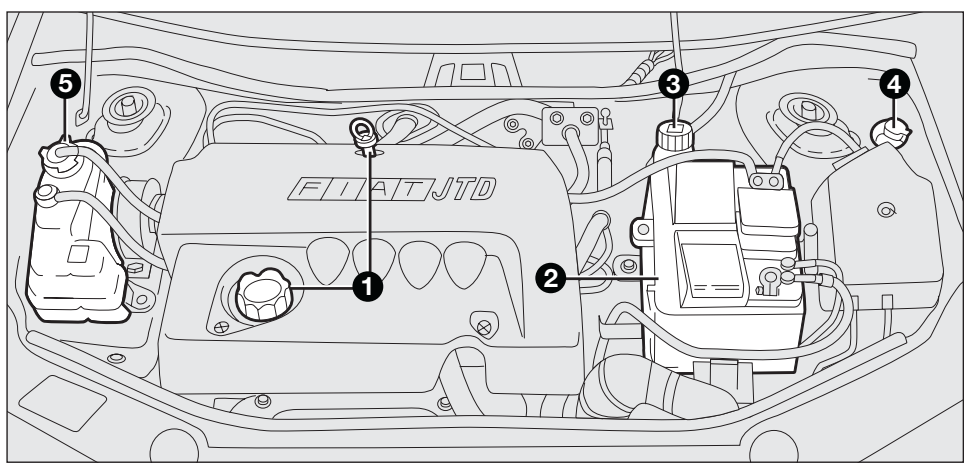
INDEX



F010148m

1.3 Multijet version

- 1 Engine oil - 2 Battery -
- 3 Brake fluid -
- 4 Windscreen/rear window/headlight washer fluid -
- 5 Engine coolant



F010211m

1.9JTD - 1.9 Multijet versions

- 1 Engine oil - 2 Battery -
- 3 Brake fluid -
- 4 Windscreen/rear window/headlight washer fluid -
- 5 Engine coolant

ENGINE OIL

Checking engine oil

Check the oil level a few minutes (about 5) after the engine has stopped, with the car parked on level ground.

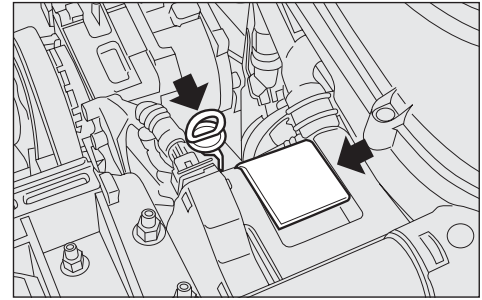
Check that the level is within the MIN and MAX marks on the dipstick. The interval between the MIN and MAX marks corresponds to about one litre of oil.

Topping up engine oil

If the oil level is near or even below the MIN mark, add oil through the filler neck, until reaching the MAX mark. Oil level shall never exceed the MAX mark.

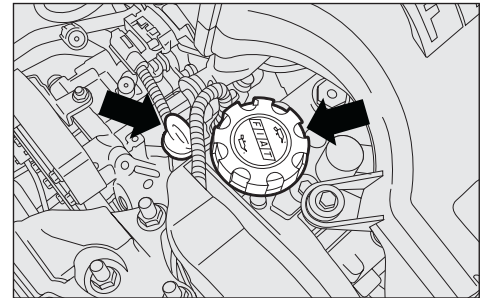
IMPORTANT If a routine check reveals that the oil level is above the MAX mark, contact Fiat Dealership to have the correct level restored.

IMPORTANT After adding or changing the oil, let the engine turn over for a few seconds and wait a few minutes after turning it off before you check the level.



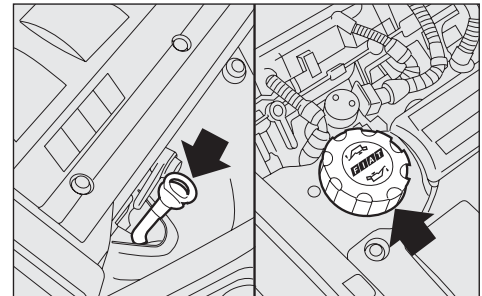
1.28V versions with mechanical and Dualogic gearbox

F010208m



1.216V and 1.416V versions

F010130m



1.816V versions

F010205m

DASHBOARD
AND
CONTROLS

SAFETY
DEVICES

CORRECT USE
OF THE CAR

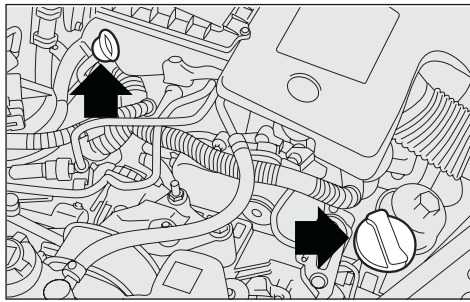
WARNING
LIGHTS AND
MESSAGES

IN AN
EMERGENCY

CAR
MAINTENANCE

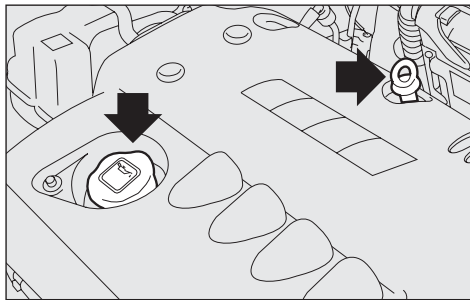
TECHNICAL
SPECIFICATIONS

INDEX



1.3 Multijet versions

F010151m



1.9JTD - 1.9 Multijet versions

F010204m

Engine oil consumption

Max engine oil consumption is usually 400 grams every 1000 km.

When the car is new, the engine needs to run in, therefore the engine oil consumption can only be considered stabilised after the first 5000 - 6000 km.

IMPORTANT The oil consumption depends on driving style and the conditions under which the car is used.

IMPORTANT Do not add oil with specifications other than that already in the engine.



WARNING

When the engine is hot, take care when working inside the engine compartment to avoid burns. Remember that when the engine is hot, the fan may cut in: danger of injury. Scarves, ties and other loose clothing might be pulled by moving parts.



Used engine oil and filter contain harmful substances for the environment. Contact Fiat Dealership to have the oil and filter changed.

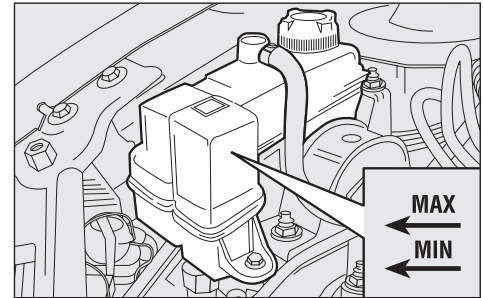
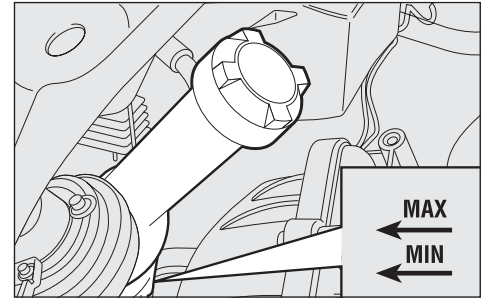
ENGINE COOLANT FLUID

The coolant level shall be checked with cold engine and shall be included between the MIN and MAX mark on the reservoir.

If the level is low, pour slowly a mixture of 50% distilled water and 50% FL Selenia PARAFLU UP through the filler neck.

A 50-50 mixture of PARAFLU UP and distilled water gives freeze protection to -35°C .

Do not remove the reservoir cap when the engine is hot: you risk scalding yourself.



The cooling system uses PARAFLU UP antifreeze. Do not add fluid having different specifications from that already existing. PARAFLU UP cannot be mixed with other types of fluids. Should other fluids be added, do not start the engine and contact Fiat Dealership as soon as possible.



WARNING

Do not remove the reservoir cap when the engine is hot: you risk scalding yourself.



WARNING

The cooling system is pressurised. If necessary, replace the cap only with another genuine one, otherwise system efficiency could be compromised.

DASHBOARD AND CONTROLS

SAFETY DEVICES

CORRECT USE OF THE CAR

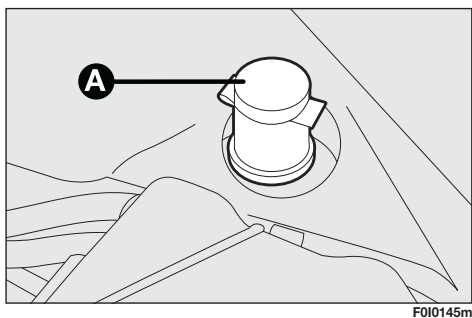
WARNING LIGHTS AND MESSAGES

IN AN EMERGENCY

CAR MAINTENANCE

TECHNICAL SPECIFICATIONS

INDEX



WINDSCREEN/REAR WINDOW/HEADLIGHT WASHER FLUID

To top up, remove the cap (A) and then pour a mixture of water and TUTELA PROFESSIONAL SC 35, in the following concentrations:

- 30% TUTELA PROFESSIONAL SC 35 and 70% water in summer;
- 50% TUTELA PROFESSIONAL SC 35 and 50% water in winter.

In case of temperatures below -20°C , use undiluted TUTELA PROFESSIONAL SC 35.

Check level through the reservoir.



WARNING

Do not travel with the windscreen washer reservoir empty: the windscreen washer is fundamental for improving visibility.



WARNING

Certain commercial additives for windscreen washers are inflammable. The engine compartment contains hot components which may set it on fire.

BRAKE FLUID

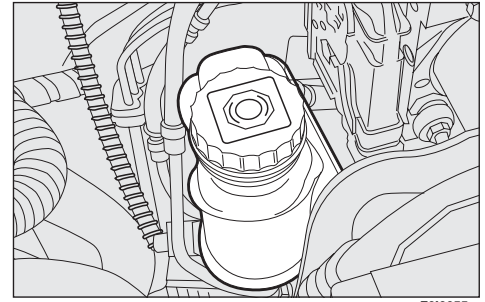
Unscrew cap and check that the fluid level in the reservoir is at maximum.

Fluid level in the reservoir shall not exceed the MAX mark.

If fluid has to be added, it is suggested to use the brake fluid in table “Fluids and lubricants” (see chapter “Technical specifications”). When opening cap take the utmost care to prevent impurities entering the tank.

For topping up, always use a funnel with integrated filter with mesh equal to or lower than 0.12 mm.

IMPORTANT Brake fluid absorbs moisture; for this reason, if the car is mainly used in areas with a high degree of atmospheric humidity, the fluid should be replaced at more frequent intervals than specified in the “Service schedule”.



F010055m



Make sure that the highly corrosive brake fluid does not drip onto the paintwork. If it does, wash it off immediately with water.



WARNING

Brake fluid is poisonous and highly corrosive. In the event of accidental contact, wash the parts involved immediately with neutral soap and water, then rinse thoroughly. Call the doctor immediately if the fluid is swallowed.



WARNING

The symbol © on the container indicates synthetic brake fluid, distinguishing it from the mineral kind. Using mineral fluids irreversibly damages the special braking system rubber seals.

DASHBOARD
AND
CONTROLS

SAFETY
DEVICES

CORRECT USE
OF THE CAR

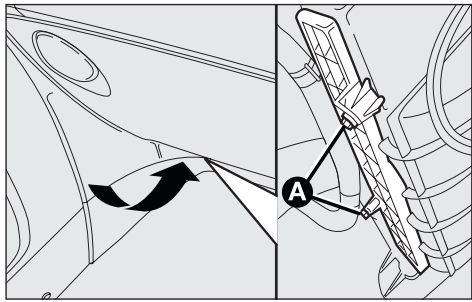
WARNING
LIGHTS AND
MESSAGES

IN AN
EMERGENCY

CAR
MAINTENANCE

TECHNICAL
SPECIFICATIONS

INDEX



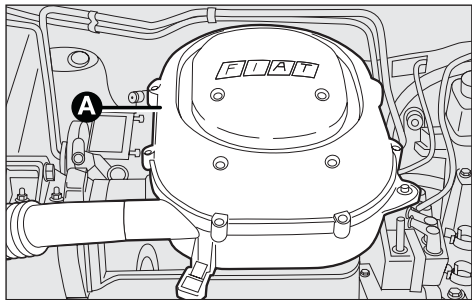
F010152m

POLLEN FILTER

The pollen filter is located under the dashboard near the central dashboard unit on passenger side.

REPLACING THE FILTER

Loosen the screws (A) and remove the filtering element to be replaced.



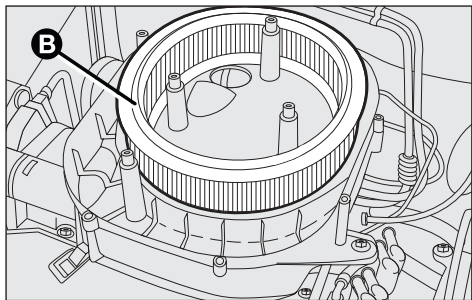
F010218m

AIR CLEANER

REPLACING THE FILTER

1.28V versions (mechanical gearbox)

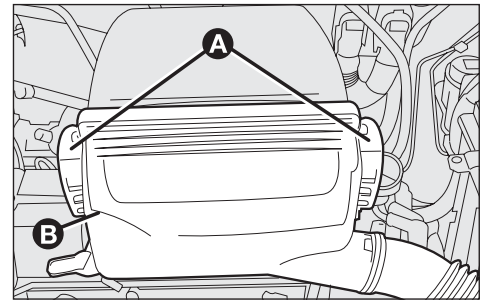
Loosen the screws on the side and on the air cleaner cover, remove the cover (A) and remove the filtering element (B) to be replaced.



F010219m

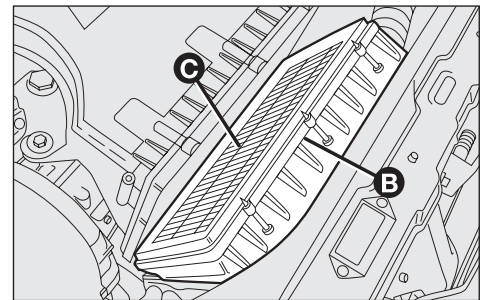
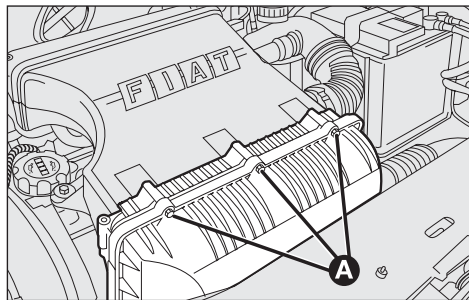
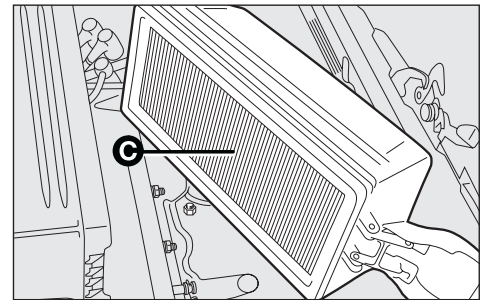
I.28V versions (Dualogic gearbox)

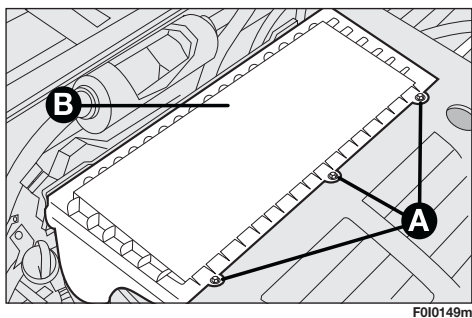
Release clips (A), remove cover front part (B) and remove the filtering element (C) to be replaced.



I.216V and I.416V versions

Loosen the screws (A), remove the cover (B) and remove the filtering element (C) to be replaced.

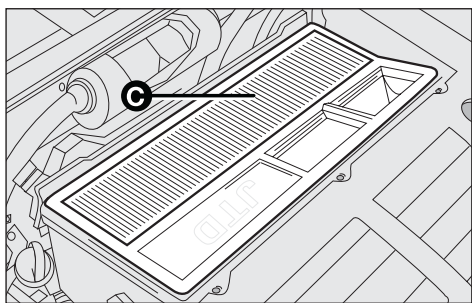




F010149m

1.3 Multijet versions

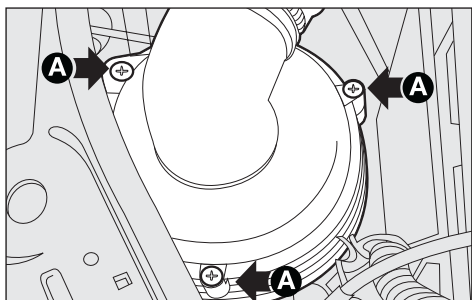
Loosen the screws (A), remove the cover (B) and remove the filtering element (C) to be replaced.



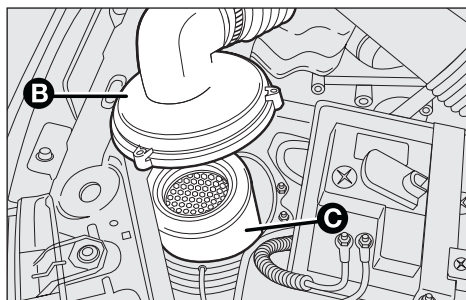
F010150m

1.816V - 1.9JTD - 1.9 Multijet versions

Loosen the screws (A), remove the cover (B) and remove the filtering element (C) to be replaced.



F010220m





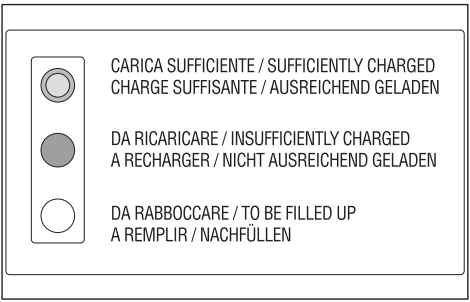
F010221m

DIESEL FUEL FILTER

DRAINING THE CONDENSE (diesel versions)



The presence of water in the fuel circuit may cause serious damage to the entire injection system and cause irregular engine operation. If warning light  or  comes on the dial (on certain versions a message is displayed on the reconfigurable multifunction display), contact Fiat Dealership as soon as possible to have the system relieved. Should the above warning indication come one immediately after topping up, water has probably been poured into the tank: turn the engine off immediately and contact Fiat Dealership.



F010058m


BATTERY

The battery is of the “Limited maintenance” type: under normal conditions of use the electrolyte does not need topping up with distilled water.

CHECKING THE CHARGE

The battery charge may be checked through the indicator (where fitted) set on the battery cover and acting according to the colour the indicator shows. If the battery is not fitted with electrolyte level indicator, the relevant checks must only be carried out by authorised personnel. To check the battery charge, slacken the two fastening screws and open the cover. Check the battery charge and then reclose the cover, take care to prevent pinching and short circuits. Refer to the table below or to the label on the battery (see figure).

Bright white colour	Top up electrolyte	Contact Fiat Dealership
Dark colour without green area in the centre	Low charge level	Charge the battery (advisable to contact Fiat Dealership)
Dark colour with green area in the centre	Electrolyte level and charge sufficient	No action

 **WARNING** *The liquid in the battery is poisonous and corrosive. Avoid contact with eyes and skin. Do not bring naked flames or possible sources of sparks near to the battery: risk of fire and explosion.*

 **WARNING** *Running the battery with low fluid level can damage the battery beyond repair and could also cause its explosion.*

CHANGING THE BATTERY

If required, replace the battery with a genuine spare part having the same specifications.

If a battery with different specifications is fitted, the service intervals given in the “Service schedule” in this section will no longer be valid. Refer to the instructions provided by the battery manufacturer.



Incorrect fitting of electrical and electronic accessories can seriously damage the car. If after buying the car, you want to install electric accessories which require permanent electric supply (alarm, sound system, free-hand phone kit, etc.) contact Fiat Dealership whose qualified personnel, in addition to suggesting the most suitable devices, will evaluate the overall electric absorption, checking whether the car’s electric system is capable of withstanding the load required, or whether it should be integrated with a more powerful battery.



Batteries contain substances that are very harmful for the environment. You are advised to have the battery changed at a Fiat Dealership, which is properly equipped for disposing of used batteries respecting nature and the law.



WARNING

If the car is left inactive for long periods at cold, remove the battery and store it in a warm place to prevent freezing



WARNING

When working on the battery or near it, always wear the proper goggles.

DASHBOARD
AND
CONTROLS

SAFETY
DEVICES

CORRECT USE
OF THE CAR

WARNING
LIGHTS AND
MESSAGES

IN AN
EMERGENCY

CAR
MAINTENANCE

TECHNICAL
SPECIFICATIONS

INDEX

USEFUL ADVICE FOR LENGTHENING THE LIFE OF YOUR BATTERY

To avoid draining your battery and lengthen its life, observe the following indications:

- when you park the car, ensure the doors, tailgate and bonnet are closed properly;
- the ceiling lights must be off. The car is however provided with an automatic system for switching off internal lights;
- do not keep accessories (e.g.: sound system, hazard lights, etc.) switched on for a long time when the engine is not running;
- before performing any operation on the electrical system, disconnect the battery negative cable;
- battery terminals shall always be perfectly tightened.

IMPORTANT A battery which is kept at a charge of less than 50% (optical indicator with dark colour without green area in the middle) for any length of time will be damaged by sulphation leading to a reduction in cranking power. Moreover, this might lead to a higher risk of the battery electrolyte freezing (this may even occur at -10°C).

If the car is left inactive for a long period of time, refer to “Car inactivity”, in section “Correct use of the car”.

If after buying the car, you want to install electric accessories which require permanent electric supply (alarm, free-hands set, etc.) contact Fiat Dealership whose qualified personnel, in addition to suggesting the most suitable devices, will evaluate the overall electric absorption, checking whether the car’s electric system is capable of withstanding the load required, or whether it should be integrated with a more powerful battery.

In fact, since these devices continue absorbing energy even when the ignition key is off, they gradually run down the battery.

The total intake of these systems (factory and after-market) must be less than $0.6 \text{ mA} \times \text{Ah}$ (of the battery) as shown in the following table:

Battery	Maximum admitted stand-by intake
40 Ah	24 mA
44 Ah	27 mA
50 Ah	30 mA

WHEELS AND TYRES

Check the pressure of each tyre, including the spare, every two weeks and before long journeys. The pressure should be checked with the tyre rested and cold.

For the correct tyre inflation pressure, see “Wheels” in “Technical specifications” section.

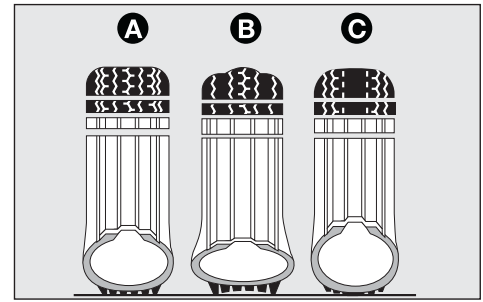
Incorrect pressure causes abnormal tyre wear:

- (A): normal pressure: tread evenly worn.
- (B): low pressure: tread particularly worn at the edges.
- (C): high pressure: tread particularly worn in the centre.

Tyres must be replaced when the tread wears down to 1,6 mm. In any case, comply with the laws in the country where the car is being driven.

IMPORTANT NOTES

- As far as possible, avoid sharp braking and screech starts, etc. Be careful not to hit the kerb, potholes or other obstacles hard. Driving for long stretches over bumpy roads can damage the tyres;
- Periodically check that the tyres have no cuts in the side wall, abnormal swelling or irregular tyre wear. If any of these occur, have the car seen to at a Fiat Dealership;



DASHBOARD
AND
CONTROLS

SAFETY
DEVICES

CORRECT USE
OF THE CAR

WARNING
LIGHTS AND
MESSAGES


IN AN
EMERGENCY

CAR
MAINTENANCE


TECHNICAL
SPECIFICATIONS

INDEX

- ❑ Avoid overloading the vehicle when travelling: this may cause serious damage to the wheels and tyres;
- ❑ If a tyre is punctured, stop immediately and change it to avoid damage to the tyre, the rim, suspensions and steering system;
- ❑ Tyres age even if they are not used much. Cracks in the tread rubber are a sign of ageing. In any case, if the tyres have been on the car for over 6 years, they should be checked by specialised personnel, to see if they can still be used. Also remember to check the spare wheel;
- ❑ In the case of replacement, always fit new tyres, avoiding those of dubious origin;
- ❑ If a tyre is changed, also change the inflation valve;
- ❑ To allow even wear between the front and rear tyres, it is advisable to change them over every 10-15 thousand kilometres, keeping them on the same side of the car so as to not reverse the direction of rotation.

 **WARNING** Remember that road holding depends also on the correct tyre inflating pressure.

 **WARNING** If the pressure is too low the tyre overheats and this can cause it serious damage.

 **WARNING** Do not cross switch the tyres, moving them from the right of the car to the left and vice versa.

 **WARNING** Never submit alloy rims to repainting treatments requiring to use temperatures exceeding 150°C since the mechanical properties of the wheels could be impaired.

RUBBER HOSES

As far as the brake system and fuel rubber hoses are concerned, carefully follow the “Service schedule” in this section.

Indeed ozone, high temperatures and prolonged lack of fluid in the system may cause hardening and cracking of the hoses, with possible leaks. Careful control is therefore necessary.

WINDSCREEN/ REAR WINDOW WIPERS

BLADES

Periodically clean the rubber part using special products; TUTELA PROFESSIONAL SC 35 is recommended.

If the rubber blades are bent or worn they should be replaced. In any case they should be changed once a year.

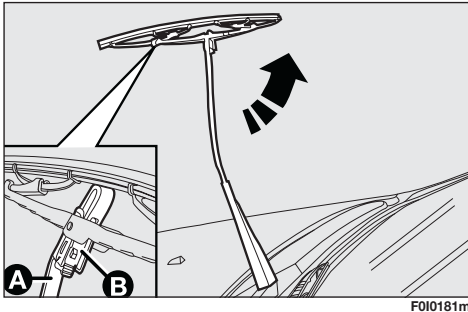
A few simple notions can reduce the possibility of damage to the blades:

- if the temperature fall below zero, make sure that ice has not frozen the rubber against glass. If necessary, thaw using an antifreeze product;
- remove any snow from the glass: in addition to protecting the blades, this prevents effort on the motor and overheating;
- do not operate the windscreen and rear window wipers on dry glass.



WARNING

Driving with worn wiper blades is a serious hazard, because visibility is reduced in bad weather.

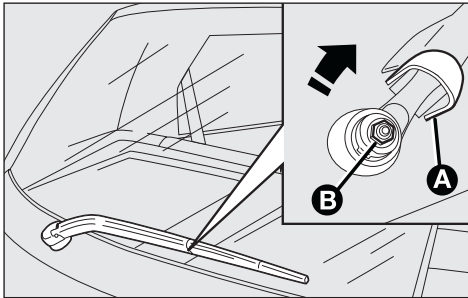


F010181m

Changing the windscreen wiper blades

Proceed as follows:

- raise the windscreen wiper arm (A) and position the blade so that it forms an angle of 90° with the arm;
- press tab (B) of the coupling spring and remove the blade to be replaced from the arm (A);
- fit the new blade by inserting the tab into the special slot in the arm. Make sure it is properly locked into place.



F010182m

Changing the rear window blade

Proceed as follows:

- raise the cover (A) and remove the arm from the car, slackening the nut (B) that fastens it to the pivot pin;
- fit the new arm, positioning it correctly, and fully tighten the nut;
- lower the cover.

SPRAY NOZZLES

Windscreen wiper

If the jet of fluid is inadequate, firstly check that there is fluid in the reservoir: see “Checking fluid levels” in this section).

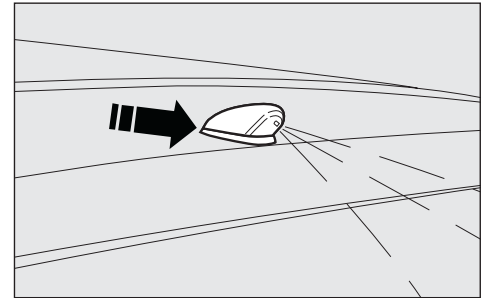
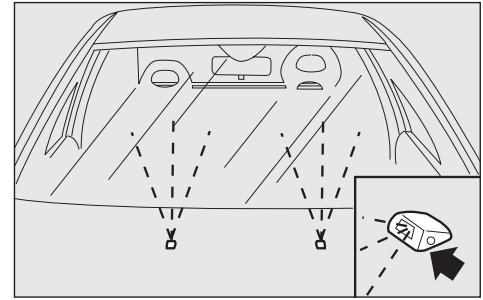
Then check that the nozzle holes are not clogged, if necessary use a needle.

The windscreen jets are directed by adjusting the angle of the nozzles: turn the nozzle cylinder by inserting a screwdriver in (A).

Fluid jets shall be directed at about 1/3 height from the window upper edge.

Rear window wiper

Rear window washer jets can be adjusted in the same way. The nozzle holder is on the rear window.



DASHBOARD
AND
CONTROLS

SAFETY
DEVICES

CORRECT USE
OF THE CAR

WARNING
LIGHTS AND
MESSAGES

IN AN
EMERGENCY

CAR
MAINTENANCE

TECHNICAL
SPECIFICATIONS

INDEX

BODYWORK

PROTECTION FROM ATMOSPHERIC AGENTS

The main causes of corrosion are the following:

- atmospheric pollution;
- salty air and humidity (coastal areas, or hot humid climates);
- seasonal environment conditions.

Not to be underestimated is also the abrasive action of wind-borne atmospheric dust and sand and mud and gravel raised by other vehicles.

On your Fiat Punto, Fiat implemented the best manufacturing technologies to effectively protect the bodywork against corrosion.

These include:

- Painting products and systems which give the car particular resistance to corrosion and abrasion;
- Use of galvanised (or pretreated) steel sheets, with high resistance to corrosion;
- Spraying the underbody, engine compartment, wheelhouse internal parts and other parts with highly protective wax products;
- Spraying of plastic parts, with a protective function, in the more exposed points: underdoor, inner fender parts, edges, etc.;
- Use of “open” boxed sections to prevent condensation and pockets of moisture from triggering rust inside.

BODY AND UNDERBODY WARRANTY

Your Fiat Punto is covered by warranty against perforation due to rust of any original element of the structure or body. For the general terms of this warranty, refer to Warranty Booklet booklet.

ADVICE FOR PRESERVING THE BODYWORK

Paint

Paintwork does not only serve an aesthetic purpose, but also protects the underlying sheet metal.

In the case of deep scrapes or scores, you are advised to have the necessary touching up carried out immediately to avoid the formation of rust. Use only original paint products for touching up (see “Bodywork paint identification plate” in “Technical specification” section).

Normal paint maintenance consists in washing at intervals depending on the conditions and environment of use. For example, in highly polluted areas, or if the roads are sprayed with salt, it is wise to wash the car more frequently.

To correctly wash the car:

- remove the aerial from the roof to prevent damage to it if the car is washed in an automatic system;
- wash the body using a low pressure jet of water;

- wipe a sponge with a slightly soapy solution over the bodywork, frequently rinsing with the sponge;
- rinse well with water and dry with a jet of air or a chamois leather.

When drying, take particular care with the less visible parts like door surrounds, bonnet and around the headlights where water may stagnate. The car should not be taken to a closed area immediately, but left in the open so that residual water can evaporate.

Do not wash the car after it has been left in the sun or with the bonnet hot: this may alter the shine of the paintwork.

Exterior plastic parts must be cleaned in the same way as the rest of the vehicle.

Where possible, do not park under trees; the resinous substance many species release give the paint a dull appearance and increase the possibility of triggering rust processes.

IMPORTANT Bird droppings must be washed off immediately and thoroughly as the acid they contain is particularly aggressive.



Detergents cause water pollution. Therefore the engine compartment should be washed in areas equipped for collecting and purifying the liquid used in the washing process.

Front headlights

IMPORTANT Never use aromatic substances (e.g.: petrol) or ketones (e.g.: acetone) for cleaning front headlight plastic lens.

Windows

Use specific window cleaner products. Use also clean cloths to avoid scratching the glass or damaging the transparency.

IMPORTANT The inside of the rearscreen should be wiped gently with a cloth in the direction of the filaments to avoid damaging the heating device.

Engine compartment

At the end of the winter the engine compartment should be carefully washed, without directing the jet against electronic control units. Contact a specialised workshop to have this done.

IMPORTANT The car should be washed with the engine cold and the ignition key at STOP. After washing make sure that the various protections (e.g.: rubber caps and various covers) have not been damaged or removed.

INTERIORS

Periodically check that water is not trapped under the mats (due to water dripping off shoes, umbrellas, etc.) which could cause oxidisation of the sheet metal.

CLEANING SEATS AND FABRIC AND VELVET PARTS

Use a soft brush or vacuum cleaner to remove dust. Velvet is cleaned better if the brush is moistened.

Rub the seats with a sponge moistened with a solution of water and neutral detergent.



WARNING

Never use inflammable products like fuel oil ether or rectified petrol for cleaning inside the car. The electrostatic discharges generated when rubbing to clean may cause fire.

CLEANING LEATHER SEATS

Remove dried on dirt with lightly moistened chamois leather or cloth without pressing too hard.

Remove liquid or grease stains with a dry absorbent cloth without rubbing. Then wipe with a soft cloth or chamois leather with water and neutral soap.

If the stain persists, use specific products, carefully following the instructions for use.

IMPORTANT Never use alcohol. Make sure that cleaning products do not contain alcohol and alcohol derivatives even at low strength.

INTERIOR PLASTIC PARTS

For routine cleaning of interior plastic parts use a soft cloth moistened with water and neutral soap. Remove grease or persisting stains using appropriate solvent-free products designed to preserve appearance and colour of plastic components.

IMPORTANT Never use spirit or petroleum to clean the instrument panel or other plastic parts.



WARNING

Do not keep aerosol cans in the car: they might explode. Aerosol cans must never be exposed to a temperature above 50°C. The temperature inside the car exposed to the sun may go well beyond that figure.

DASHBOARD
AND
CONTROLS

SAFETY
DEVICES

CORRECT USE
OF THE CAR

WARNING
LIGHTS AND
MESSAGES

IN AN
EMERGENCY

CAR
MAINTENANCE

TECHNICAL
SPECIFICATIONS

INDEX

TECHNICAL SPECIFICATIONS

IDENTIFICATION DATA	267
ENGINE CODES - BODYWORK VERSIONS	269
ENGINE.....	270
FUEL FEED/IGNITION	271
TRANSMISSION	271
BRAKES	272
SUSPENSIONS.....	272
STEERING.....	272
WHEELS	273
DIMENSIONS	277
PERFORMANCE	280
WEIGHTS	281
CAPACITIES.....	283
FLUIDS AND LUBRICANTS	285
FUEL CONSUMPTION.....	287
CO ₂ EMISSIONS.....	288

IDENTIFICATION DATA

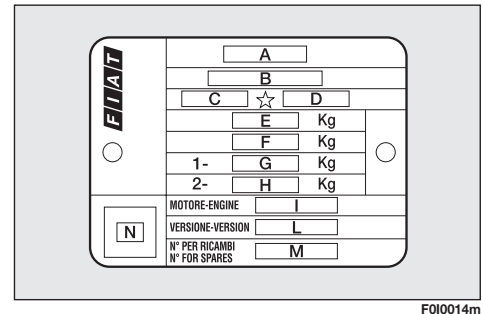
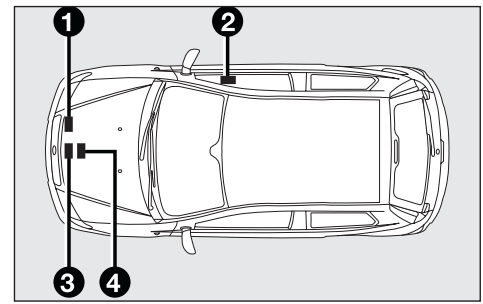
You are advised to note the identification codes. The identification data stamped and given on the plates and their position are the following:

- 1 - Model plate
- 2 - Chassis marking
- 3 - Bodywork paint identification plate
- 4 - Engine marking.

MODEL PLATE

The plate is to be found on the front crossmember of the engine compartment and bears the following identification data:

- A - Manufacturer' name.
- B - Homologation number.
- C - Vehicle type code.
- D - Chassis number.
- E - Maximum vehicle weight fully loaded.
- F - Maximum vehicle weight fully loaded with trailer.
- G - Maximum vehicle weight on front axle.
- H - Maximum vehicle weight on rear axle.
- I - Engine type.
- L - Body version code.
- M - Spare part code.
- N - Smoke opacity index (for diesel engines).



DASHBOARD
AND
CONTROLS

SAFETY
DEVICES

CORRECT USE
OF THE CAR

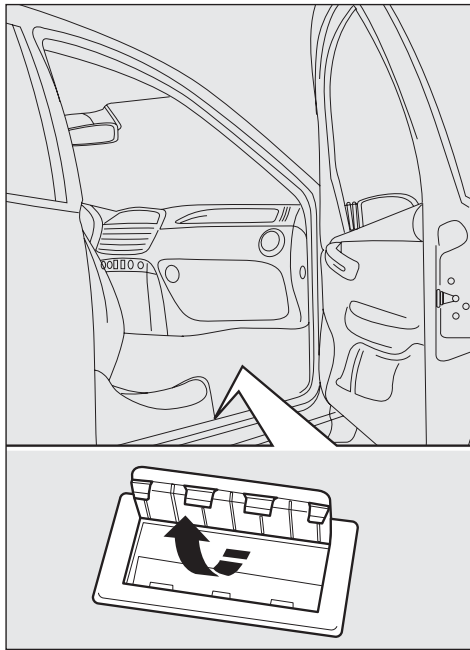
WARNING
LIGHTS AND
MESSAGES

IN AN
EMERGENCY

CAR
MAINTENANCE

TECHNICAL
SPECIFICATIONS

INDEX



F010146m

CHASSIS MARKING

It is printed on the passenger compartment floor, near the right-hand front seat.

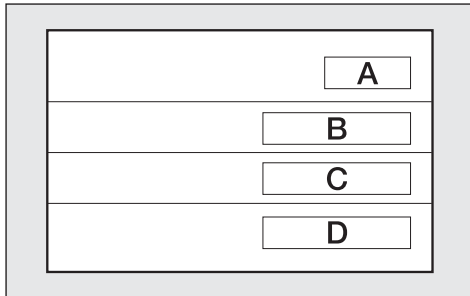
It can be reached by lifting the special flap in the carpeting and includes the following data:

- car model (ZFA I88000);
- chassis number.

BODYWORK PAINT IDENTIFICATION PLATE

The plate is applied on the inner side of the bonnet and it bears the following data:

- A - Paint manufacturer.
- B - Colour name.
- C - Fiat colour code.
- D - Respray and touch up code.



F010015m

ENGINE MARKING

Engine marking is stamped on the crankcase on gearbox side and includes the model and the chassis number.

ENGINE CODES - BODYWORK VERSIONS

Versions	Engine type code	Bodywork version code	
		3-door	5-door
1.28v with mechanical steering	188A4000	188AXA1A 00AC	188AXA1A 01AC
1.28v with electric power steering	188A4000	188AXA1A 00AD	188AXA1A 01AD
1.216v	188A5000	188AXB1A 02R	188BXB1A 03R
1.416v	843A1000	188AXM1A 20C 188AXM1A 20D (*)	188BXM1A 21C 188BXM1A 21D (*)
1.416v SPORTING	843A1000	188AXM1B 22B	—
1.816v	188A6000	188AXF1A 12E	188BXF1A 15D
1.3 Multijet	188A9000	188AXH1A 16L 188AXH1A 16N(*)	188BXH1A 17L 188BXH1A 17N(*)
1.9 JTD	188A7000	188AXG1A 13L	188BXG1A 14E
1.9JTD Sporting	188A7000	188AXG1A 13M	—
1.9 Multijet	188B2000	188AXL1A 18F	188BXL1A 19F
1.9 Multijet HGT	188B2000	188AXL1A 1B	—

(*) Versions with VDC

DASHBOARD
AND
CONTROLS

SAFETY
DEVICES

CORRECT USE
OF THE CAR

WARNING
LIGHTS AND
MESSAGES

IN AN
EMERGENCY

CAR
MAINTENANCE

TECHNICAL
SPECIFICATIONS

INDEX

ENGINE

		1.28v	1.216v	1.416v	1.816v	1.3 Multijet	1.9 JTD	1.9 Multijet
GENERAL FEATURES								
Engine code		188A4000	188A5000	843A1000	188A6000	188A9000	188A7000	188B2000
Cycle		Otto	Otto	Otto	Otto	Diesel	Diesel	Diesel
Number and layout of cylinders		4 in line	4 in line	4 in line	4 in line	4 in line	4 in line	4 in line
Valves per cylinder		2	4	4	4	4	2	2
Piston bore and stroke	mm	70.8 x 78.86	70.8 x 78.86	72 x 84	82 x 82.7	69.6x 82	82 x 90.4	82 x 90.4
Total displacement	cm ³	1242	1242	1368	1747	1248	1910	1910
Compression ratio		9.8 : 1	10.6 : 1	11 : 1	10.3 : 1	18 : 1	18.45 : 1	18.0 : 1
Maximum power (EEC)	kW	44	59	70	96	51	63	74
	HP	60	80	95	130	70	85	100
corresponding ratio:	rpm	5000	5000	5800	6300	4000	3500	4000
Maximum torque (EEC)	Nm	102	114	128	164	180	196	260
	kgm	10.4	11.6	13.0	16.7	18.3	20	26.5
corresponding ratio:	rpm	2500	4000	4500	4300	1750	1500	1750
Spark plugs		NGK DCPR7E-N-10 BOSCH YR7DEU	NGK DCPR7E-N-10 BOSCH YR7DEU	NGK DCPR7E-N-10 BOSCH YR7DEU	Fiat BKR6EZ Fiat RC10YCC NGK BKR6EZ Champion RC10YCC	—	—	—
Fuel		Unleaded petrol 95 RON (EN228 Specifications)	Unleaded petrol 95 RON (EN228 Specifications)	Unleaded petrol 95 RON (EN228 Specifications)	Unleaded petrol 95 RON (EN228 Specifications)	Diesel fuel for motor vehicles (EN590 Specifications)	Diesel fuel for motor vehicles (EN590 Specifications)	Diesel fuel for motor vehicles (EN590 Specifications)

FUEL FEED/IGNITION

	1.28V - 1.216V - 1.416V - 1.816V	1.3 Multijet - 1.9 Multijet	1.9 JTD
Fuel feed	Electronic Multipoint sequential phased integrated electronic injection, returnless system	Direct injection with electronically controlled Multijet "Common Rail", turbo and intercooler	Direct injection with electronically controlled Unijet "Common Rail", turbo and intercooler

TRANSMISSION

	1.28V - 1.216V - 1.416V - 1.816V - 1.3 Multijet - 1.9 JTD - 1.9 Multijet
Gearbox	Five forward gears (six on certain versions) and reverse with synchromesh for forward gear engagement
Clutch	Hydraulic control, self-adjusting without travel-free pedal
Drive	Front



Modifications or repairs to the fuel system that are not carried out properly or do not take the system's technical specifications into account can cause malfunctions leading to the risk of fire.

DASHBOARD AND CONTROLS

SAFETY DEVICES

CORRECT USE OF THE CAR

WARNING LIGHTS AND MESSAGES

IN AN EMERGENCY

CAR MAINTENANCE

TECHNICAL SPECIFICATIONS

INDEX

BRAKES

1.28V - 1.216V - 1.416V - 1.816V - 1.3 Multijet - 1.9 JTD - 1.9 Multijet

Service brakes:

– front

Disc (self-ventilating on certain versions)

– rear

Drum or disc (on certain versions)

Parking brake

Controlled by lever, it works mechanically on the rear brakes

IMPORTANT Water, ice and antifreeze salt on roads may deposit on the brake discs thus reducing braking efficiency at first braking.

SUSPENSIONS

1.28V - 1.216V - 1.416V - 1.816V - 1.3 Multijet - 1.9 JTD - 1.9 Multijet

Front

Mc Pherson independent wheels

Rear

Twisting axle and twisting cross member

STEERING

1.28V - 1.216V - 1.416V - 1.816V - 1.3 Multijet - 1.9 JTD - 1.9 Multijet

Type

Rack and pinion, as an alternative
with electric power steering (where provided)

Minimum steering
cycle

m

10,5

WHEELS

RIMS AND TYRES

Pressed steel or alloy rims. Tubeless tyres with radial carcass. The homologated tyres are listed in the Log book.

IMPORTANT In the event of discrepancies between the information provided on this “Owner handbook” and the “Log book”, consider the specifications shown in the log book only.

Attaining to the prescribed size, to ensure safety of the car in movement, it must be fitted with tyres of the same make and type on all wheels.

IMPORTANT Do not use inner tubes with Tubeless tyres.

SPACE-SAVER SPARE WHEEL

Pressed steel rim. Tubeless tyre.

WHEEL GEOMETRY

Front wheel toe-in measured from rim to rim: 0 ± 1 mm.

The values refer to the car in running order.

UNDERSTANDING TYRE MARKING

Example: 185/60 R 14 82 H

185 = Nominal width (S, distance between sidewalls in mm).

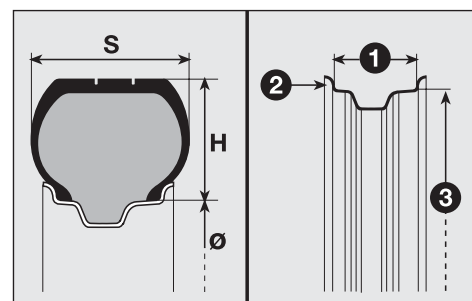
60 = Percentage height/width ratio (H/ S).

R = Radial tyre.

14 = Rim diameter in inches (\emptyset).

82 = Load rating.

H = Maximum speed rating.



DASHBOARD
AND
CONTROLS

SAFETY
DEVICES

CORRECT USE
OF THE CAR

WARNING
LIGHTS AND
MESSAGES

IN AN
EMERGENCY

CAR
MAINTENANCE

TECHNICAL
SPECIFICATIONS

INDEX

Load rating

60 = 250 kg
61 = 257 kg
62 = 265 kg
63 = 272 kg
64 = 280 kg
65 = 290 kg
66 = 300 kg
67 = 307 kg
68 = 315 kg
69 = 325 kg
70 = 335 kg
71 = 345 kg
72 = 355 kg
73 = 365 kg
74 = 375 kg
75 = 387 kg
76 = 400 kg
77 = 412 kg
78 = 425 kg
79 = 437 kg
80 = 450 kg
81 = 462 kg
82 = 475 kg
83 = 487 kg

84 = 500 kg
85 = 515 kg
86 = 530 kg
87 = 545 kg
88 = 560 kg
89 = 580 kg
90 = 600 kg
91 = 615 kg
92 = 630 kg
93 = 650 kg
94 = 670 kg
95 = 690 kg
96 = 710 kg
97 = 730 kg
98 = 750 kg
99 = 775 kg
100 = 800 kg
101 = 825 kg
102 = 850 kg
103 = 875 kg
104 = 900 kg
105 = 925 kg
106 = 950 kg

Maximum speed rating

Q = up to 160 km/h.
R = up to 170 km/h.
S = up to 180 km/h.
T = up to 190 km/h.
U = up to 200 km/h.
H = up to 210 km/h.
V = up to 240 km/h.
W = up to 270 km/h.
Y = up to 300 km/h.

UNDERSTANDING RIM MARKING

Example: 5 1/2 J x 14 H2 35

- 5 1/2 = rim width in inches (1).
- J = rim drop center outline (side projection where the tyre bead rests) (2).
- 14 = rim nominal diameter in inches (corresponds to diameter of the tyre to be mounted) (3 = Ø).
- H2 = “hump” shape and number (relief on the circumference holding the Tubeless tyre bead on the rim).
- 35 = wheel camber angle (distance between the disc/rim supporting plane and the wheel rim centre line).

VERSIONS	RIMS	TYRES		SPACE-SAVER SPARE	
		Standard	Snow tyres	Rim	Tyre
1.28v mechanical steering	5.00B x 13" ET 35	155/80 R13 79T	155/80 R13 79Q (M+S)	4.5B x 13" ET 35	135/80 B13 82M
1.28v power steering 1.216v - 1.4 16v without ESP 1.3 Multijet without ESP	5 1/2 Jx14" - 35 6Jx14" ET 35 (Alloy) 6Jx15" ET 33 (Alloy)	165/70 R14 81T 185/60 R14 82H 185/55 R15 82V	165/70 R14 81Q (M+S) 185/60 R14 82Q (M+S) 185/55 R15 82Q (M+S)	4B x 14" ET 43	135/80 B14 84M
1.416v with ESP 1.3 Multijet with ESP	5 1/2 Jx14" - 35 6Jx14" ET 35 (Alloy) 6Jx15" ET 33 (Alloy)	185/60 R14 82H 185/60 R14 82H 185/55 R15 82V	185/60 R14 82Q (M+S) 185/60 R14 82Q (M+S) 185/55 R15 82Q (M+S)	4B x 14" ET 43	135/80 B14 84M
1.416v/1.9JTD Sporting	6Jx15" ET 33 (Alloy)	185/55 R15 82V	185/55 R15 82Q (M+S)	4B x 14" ET 43	135/80 B14 84M
1.816v HGT 1.9 Multijet HGT	6Jx15" ET 37 (Alloy)	185/55 R15 82V	185/55 R15 82Q (M+S)	4B x 15" ET 35	125/80 R15 95M
1.816v Emotion	6 Jx15" ET 37 6Jx15" ET 37 (Alloy)	185/55 R15 82V 185/55 R15 82V	185/55 R15 82Q (M+S) 185/55 R15 82Q (M+S)	4B x 15" ET 35	125/80 R15 95M
1.9JTD	5 1/2Jx14" ET 35 6Jx14" ET35 (Alloy) 6Jx15" ET33 (Alloy)	185/60 R14 82H 185/60 R14 82H 185/55 R15 82V	185/60 R14 82Q (M+S) 185/60 R14 82Q (M+S) 185/55 R15 82Q (M+S)	4B x 14" ET 43	135/80 B14 84M
1.9 Multijet Emotion	6Jx15" ET 31,5 6Jx15" ET33 (Alloy)	185/55 R15 82V 185/55 R15 82V	185/55 R15 82Q (M+S) 185/55 R15 82Q (M+S)	4B x 15" ET 35	125/80 R15 95M



Refer to the above mentioned table for information on the wheels where snow chains can be fitted. Follow the prescriptions.

DASHBOARD AND CONTROLS

SAFETY DEVICES

CORRECT USE OF THE CAR

WARNING LIGHTS AND MESSAGES

IN AN EMERGENCY

CAR MAINTENANCE

TECHNICAL SPECIFICATIONS

INDEX

COLD TYRE INFLATION PRESSURE (bar)

VERSIONS	Size	STANDARD TYRES				SPACE-SAVER SPARE WHEEL
		Medium load		Full load		
		Front	Rear	Front	Rear	
1.28v mechanical steering	155/80 R13 79T	2.0	1.9	2.2	2.1	2.8
1.28v power steering	165/70 R14 81T 185/60 R14 82H 185/55 R15 82V	2.0	1.9	2.2	2.1	2.8
1.216V - 1.416V	165/70 R14 81T 185/60 R14 82H	2.0	1.9	2.2	2.1	2.8
1.416V Sporting	185/55 R15 82V	2.2	2.1	2.4	2.3	2.8
1.9JTD Sporting	185/55 R15 82V	2.4	2.1	2.4	2.3	2.8
1.3 Multijet	165/70 R14 81T 185/60 R14 82H 185/55 R15 82V	2.2	2.1	2.4	2.3	2.8
1.816V - 1.9 Multijet	185/55 R15 82V	2.4	2.1	2.4	2.3	4.2
1.9JTD	185/60 R14 82H 185/55 R15 82V	2.4	2.1	2.4	2.3	2.8

Add +0.3 bar to the prescribed inflation pressure when the tyres are warm. Recheck pressure value with cold tyres.

With snow tyres, add +0.2 bar to the inflation pressure value prescribed for standard tyres.

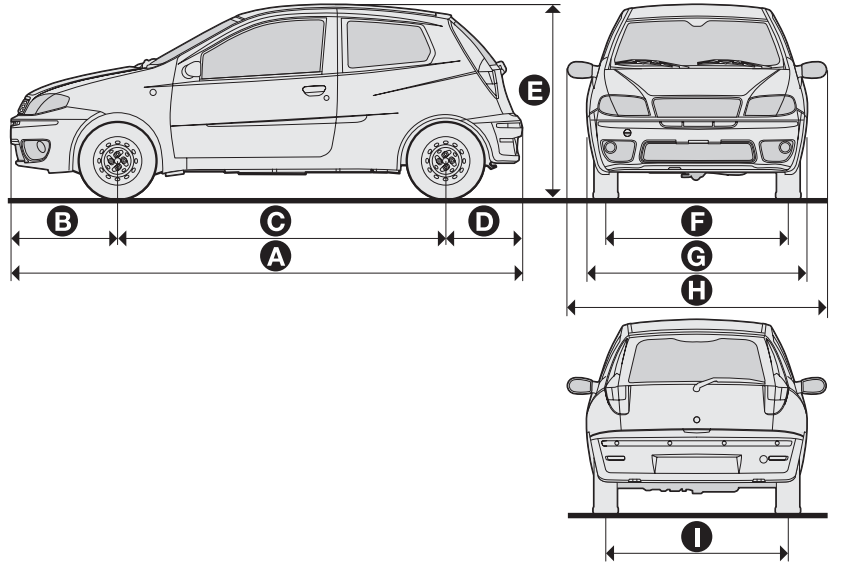
DIMENSIONS

Dimensions are expressed in mm and refer to the vehicle fitted with standard tyres.

The height refers to the vehicle unladen.

Boot volume

Unladen boot volume
(V.D.A. standards) 264 dm³



F010201m

3-door versions	A	B	C	D	E	F (*)	G	H	I (*)
	3840	804	2460	576	1480	1398	1660	1954	1392

(*) Track measurements may vary according to rim size.

DASHBOARD
AND
CONTROLS

SAFETY
DEVICES

CORRECT USE
OF THE CAR

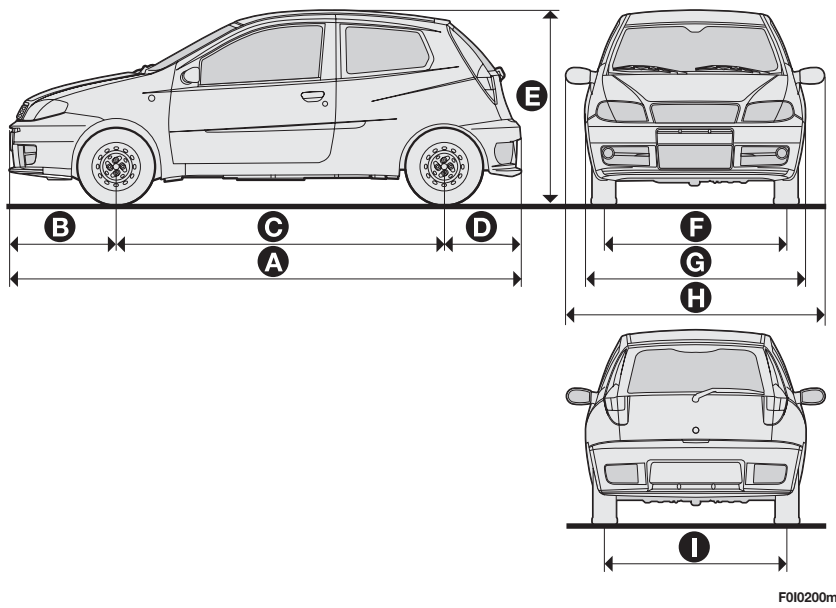
WARNING
LIGHTS AND
MESSAGES

IN AN
EMERGENCY

CAR
MAINTENANCE

TECHNICAL
SPECIFICATIONS

INDEX



Dimensions are expressed in mm and refer to the vehicle fitted with standard tyres.
 The height refers to the vehicle unladen.

Boot volume

Unladen boot volume (V.D.A. standards) 264 dm³

SOUND, SPORTING, HGT versions	A	B	C	D	E	F (*)	G	H	I (*)
	3843	800	2460	583	1480	1398	1660	1954	1392

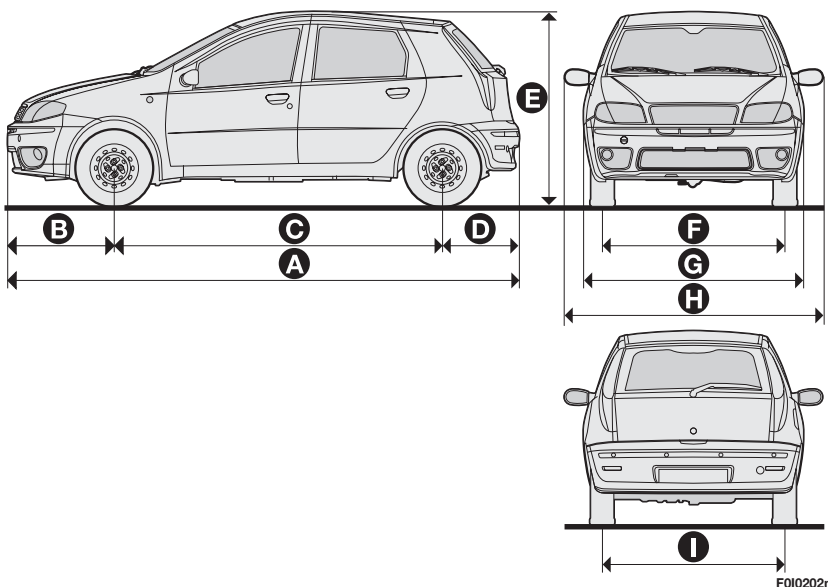
(*) Track measurements may vary according to rim size.

Dimensions are expressed in mm and refer to the vehicle fitted with standard tyres.

The height refers to the vehicle unladen.

Boot volume

Unladen boot volume (V.D.A. standards) 297 dm³



F010202m

5 doors versions	A	B	C	D	E	F (*)	G	H	I (*)
	3865	804	2460	601	1480	1398	1660	1954	1392

(*) Track measurements may vary according to rim size.

PERFORMANCE

Top admitted speed after initial car use in km/h.

1.28v	1.216v	1.416v	1.816v	1.3 Multijet	1.9 JTD	1.9 Multijet
155	172	178	205	164	173	185

WEIGHTS

Weights (kg)		1.28v	1.216v	1.416v
Kerb weight (including all fluids, fuel tank at 90% and with no optional):				
	3-door	860	920	960
	5-door	875	935	975
Payload (*) including the driver:		510	510	510
Maximum admitted loads (**)				
– front axle:	3/5 doors	750	780	820
– rear axle:	3/5 doors	750	750	750
– total:	3-door	1370	1430	1470
	5-door	1385	1445	1485
Towable loads:				
– trailer with brakes:	3/5 doors	1000/400(●)	1000/400(●)	1000/400(●)
– trailer without brakes:	3/5 doors	400	400	400
Maximum load on roof :	3/5 doors	75	75	75
Maximum load on tow hitch (trailer with brakes):	3/5 doors	60	60	60

(*) If special equipment is fitted (sunroof, tow hitch, etc.) the unladen car weight increases, thus reducing the specified payload.

(**) Loads not to be exceeded. The driver is responsible for arranging the loads in the boot an/or on the roof so that they comply with these limits.

(●) For specific markets.

DASHBOARD
AND
CONTROLS

SAFETY
DEVICES

CORRECT USE
OF THE CAR

WARNING
LIGHTS AND
MESSAGES

IN AN
EMERGENCY

CAR
MAINTENANCE

TECHNICAL
SPECIFICATIONS

INDEX

Weights (kg)		1.816V	1.3 Multijet	1.9 JTD	1.9 Multijet
Kerb weight (including all fluids, fuel tank at 90% and with no optional):					
	3-door	1040	965	1040	1075
	5-door	1055	980	1055	1090
Payload (*) including the driver:					
	3/5 doors	510	510	510	510
Maximum admitted loads (**)					
	– front axle:	850	820	900	900
	– rear axle:	750	750	750	750
	– total:				
	3-door	1550	1475	1550	1585
	5-door	1565	1490	1565	1600
Towable loads:					
	– trailer with brakes:	1000/400(●)	1000/400(●)	1000/400(●)	1100/400(●)
	– trailer without brakes:	400	400	400	400
Maximum load on roof :					
	3/5 doors	75	75	75	75
Maximum load on tow hitch (trailer with brakes):					
	3/5 doors	60	60	60	60

(*) If special equipment is fitted (sunroof, tow hitch, etc.) the unladen car weight increases, thus reducing the specified payload.

(**) Loads not to be exceeded. The driver is responsible for arranging the loads in the boot an/or on the roof so that they comply with these limits.

(●) For specific markets.

CAPACITIES

	1.28V		1.216V		1.416V		1.816V		Specified fuels Recommended products
	litres	kg	litres	kg	litres	kg	litres	kg	
Fuel tank: including a reserve of:	47 5 - 7	– –	47 5 - 7	– –	47 5 - 7	– –	47 5 - 7	– –	Unleaded Premium petrol with no less than 95 R.O.N (EN228 Specifications)
Engine cooling system:	4.2	–	4.5	–	4.5	–	5.8	–	Mixture of distilled water and PARAFU UP at 50%
Engine sump:	2.5	2.2	2.5	2.2	2.5	2.2	3.7	3.3	SELENIA 20K (□)
Engine sump and filter:	2.8	2.5	2.8	2.5	2.8	2.5	4.1	3.65	
Gearbox/differential casing:	1.65	1.5	1.65	1.5	1.65	1.5	1.98	1.8	TUTELA CAR TECHNYX
Front and rear hydraulic brake circuit:	0.40	–	0.40	–	–	–	–	–	TUTELA TOP 4
Hydraulic brake circuit with ABS:	0.45	–	0.45	–	0.45	–	0.65	–	TUTELA TOP 4
Windscreen and rear window/headlight washer fluid reservoir:	1.5 (4.5)	–	1.5 (4.5)	–	1.5 (4.5)	–	1.5 (4.5)	–	Mixture of water and TUTELA PROFESSIONAL SC 35

(□) For use with very cold temperatures we recommend using **SELENIA PERFORMER MULTIPOWER** SAE 5W-30.

DASHBOARD
AND
CONTROLS

SAFETY
DEVICES

CORRECT USE
OF THE CAR

WARNING
LIGHTS AND
MESSAGES

IN AN
EMERGENCY

CAR
MAINTENANCE

TECHNICAL
SPECIFICATIONS

INDEX

	1.3 Multijet		1.9 JTD		1.9 Multijet		Specified fuels Recommended products
	litres	kg	litres	kg	kg	kg	
Fuel tank: including a reserve of:	49 5 - 7	– –	49 5 - 7	– –	49 5 - 7	– –	Diesel fuel for motor vehicles (EN590 Specifications)
Engine cooling system:	6.0	–	6.2	–	6.2	–	Mixture of distilled water and PARAFLU UP at 50%
Engine sump:	2.85	–	4.0	–	4.0	–	SELENIA WR
Engine sump and filter:	3.0	–	4.3	–	4.3	–	
Gearbox/differential casing:	1.98	1.8	1.98	1.8	1.98	1.8	TUTELA CAR TECHNYX
Front and rear hydraulic brake circuit:	0.40	–	0.40	–	0.40	–	TUTELA TOP 4
Hydraulic brake circuit with ABS:	0.45	–	0.45	–	0.65	–	TUTELA TOP 4
Windscreen and rear window/headlight washer fluid reservoir:	1.5 4.5	– –	1.5 4.5	– –	1.5 4.5	– –	Mixture of water and TUTELA PROFESSIONAL SC 35

FLUIDS AND LUBRICANTS

RECOMMENDED PRODUCTS AND THEIR SPECIFICATIONS

Use	Fluid and lubricant specifications for correct car operation	Recommended fluids and lubricants	Applications
Lubricants for petrol engines (□)	Synthetic-based oil, grade SAE 10W-40 that passes ACEA A3, API SL specifications	SELENIA 20K	
	Synthetic-based oil, grade SAE 5W-30 that passes ACEA A1, ACEA A5, API SL and FIAT 9.55535 specifications	SELENIA PERFORMER MULTIPOWER	
Lubricants for diesel engines	Synthetic-based oil, grade SAE 5W-40 that passes ACEA B4, API CF and FIAT 9.55535 specifications	SELENIA WR	

(□) For use with very cold temperatures, we recommend using **SELENIA PERFORMER MULTIPOWER SAE 5W-30**

- DASHBOARD AND CONTROLS
- SAFETY DEVICES
- CORRECT USE OF THE CAR
- WARNING LIGHTS AND MESSAGES
- IN AN EMERGENCY
- CAR MAINTENANCE
- TECHNICAL SPECIFICATIONS
- INDEX

Use	Fluid and lubricant specifications for correct car operation	Recommended fluids and lubricants	Applications
Lubricants and greases for transmission	Synthetic-based oil, grade SAE 75W-85 that passes API GL-4 PLUS, FIAT 9.55550 specifications.	TUTELA CAR TECHNIX	Mechanical gearbox and differential
	Specific transmission fluid with "ATF DEXTRON III" type additives.	TUTELA CAR GI/E	Power steering
	Grease for high temperatures and low friction coefficient for differential side homocinetic joints	TUTELA STAR 700	CV joints on differential side
	Polyurea-based synthetic grease for high temperatures.	TUTELA STAR 325	CV joints on differential side, submitted to high temperatures (1.416V versions)
	Molybdenum disulphide grease high temperature resistant specific for spherical homocinetic joints (tire and gear side)	TUTELA ALL STAR	CV joints on wheel side
Brake liquid	Synthetic fluid FMVSS no. 116 DOT 4, ISO 4925, SAE J-1704, CUNA NC 956-01	TUTELA TOP 4	Brake and clutch hydraulic controls
Protective agent for radiators	Protective with antifreeze action, red colour based on inhibited monoethylen glycol and organic formula, that passes CUNA NC 956-16, ASTM D 3306 specifications.	PARAFU UP (●)	Cooling circuits Proportion: 50% down to -35° C Not to be mixed with products having different formulas.
Additive for diesel fuel	Additive for diesel fuels with protective action for Diesel engines	TUTELA DIESEL ART	To be mixed with the fuel oil (25 cc per 10 litres)
Windscreen/rear window/headlight washer fluid	Mixture of alcohol and surfactants CUNA NC 956-II	TUTELA PROFESSIONAL SC 35	To be used diluted or undiluted

(●) IMPORTANT Do not add or mix with fluids with specifications other than the specified ones.

FUEL CONSUMPTION

The fuel consumption figures given in the table below are determined on the basis of the homologation tests set down by specific European Directives.

The procedures below are followed for measuring consumption:

- **urban cycle:** cold starting followed by driving that simulates urban use of the car;
- **extra-urban cycle:** frequent accelerating in all gears, simulating extraurban use of the car; the speed varies between 0 and 120 km/h;
- **combined consumption:** is calculated weighing about 37% of urban cycle consumption and about 63% of extraurban consumption.

IMPORTANT The type of route, traffic situations, weather conditions, driving style, general conditions of the car, trim level/equipment/accessories, load, climate control system, roof rack, other situations that affect air drag may lead to different fuel consumption levels than those measured.

Fuel consumption according to Directive 1999/100/EC (litres x 100 km)

	Urban	Extra-urban	Combined
1.28v	7.3	4.8	5.7
1.216v	7.6	4.8	5.8
1.416v	7.8	5.1	6.1
1.416v Sporting	8.8	5.3	6.6
1.816v	11.5	6.4	8.3
1.3 Multijet	5.6	3.9	4.5
1.9 JTD	6.6	4.0	4.9
1.9 JTD Sporting	7.2	4.2	5.3
1.9 Multijet	7.3	4.1	5.3

CO₂ EMISSIONS

The CO₂ emission levels at the exhaust given in the following table refer to combined consumption.

CO₂ emissions according to Directive 1999/100/EC (g/km)

Petrol engines

1.28v	1.216v	1.416v	1.416v Sporting	1.816v
136	138	145	156	197

Diesel engines

1.3 Multijet	1.9JTD	1.9JTD Sporting	1.9 Multijet
119	130	140	140

INDEX

ABS system	113	Bonnet	107	Checking fluid levels	242
Accessories purchased		Boot	101- 102- 103	Child lock	99
by the owner	125	– extension	103	Cigar lighter	94
Additional brake light		– light	223	Climate control system	
– bulb replacement	220	Brake fluid level	249	- automatic two- zone	71
Air bags	149	Brake lights		- manual climate control	
– driver's front air bag	151	– bulb replacement	219	system	68
– manually deactivating		Brakes		CO₂ emissions.	288
passenger's front air bag ..	152	– fluid level	249	Control buttons	20
– passenger's front air bag ..	151	– handbrake	163	Controls	91
– side air bags	153	– service and emergency	272	Correct use of the car	159
Air cleaner	250	Bulb (replacement)	214	Cruise Control	86
Air vents	63-64	Capacities	283	Dashboard and controls ..	4
Ashtray	94	Car inactivity	173	Diesel filter	253
ASR system	116	Car maintenance	235	Digital display	22
At the filling station	130	– additional checks	239	Dimensions	277
Battery		– annual inspection plan	239	Dipped beam headlights	
– checking the charge	254	– scheduled servicing	236	– bulb replacement	217
– jump starting	201	– service schedule	237	– control	78
– recharging	231	Carrying children safely	143	Direction indicators	
– replacing	255	Ceiling light	89	– bulb replacement	218-220
Bodywork		– bulb replacement	222	– control	79
– maintenance	262	Cellular phone set-up	123	Doors	98
– version codes	269	Central door locking system .	98		

DASHBOARD AND CONTROLS
SAFETY DEVICES
CORRECT USE OF THE CAR
WARNING LIGHTS AND MESSAGES
IN AN EMERGENCY
CAR MAINTENANCE
TECHNICAL SPECIFICATIONS
INDEX

E BD system.	113	Fluids and lubricants.....	285	In an emergency	199
Electric power steering (Dualdrive)	126	Follow me home (device).....	80	Instrument panel.....	5-6
Engine		Front fog lights		Instruments	18
– identification codes	269	– bulb replacement	219	Interior equipment	93
– fuel feed	271	– control button	91	Interiors	264
– starting	160-161	Fuel		J ack	204
– technical data	270	– consumption	287	Jacking the car	232
Engine compartment	264	– cut- off switch	92	K eys	13
Engine coolant gauge	19	– level gauge	18	L oad limiter.	141
Engine coolant level	247	Fuel filler cap	132	Lubricants (specifications)	285
Engine oil		Fuses	221	M ain beam headlights	
– checking the level	245	G earbox (use)	164	– bulb replacement	217
– consumption	246	Glove box	93	– control	78
– technical specifications	286	H andbrake	163	– flashing	79
Environment (protection)	133	Hazard lights		Multifunction display	24
EOBD system	119	– control	91	N umber plate light	
ESP system	115	Head restraints	59	– bulb replacement	221
Extending the boot.....	103	Headlight adjustment (electric adjusting device)	111	P arking	163
External lights	78	Headlight washer		Parking sensors	128
F iat CODE system	11	– control	85	Performance	280
FIS (fuel inertial cut-off switch)	92	Headlights	111-112	Plates	268-269
Fix &Go (quick tyre repair kit)	209	Heated rear window	91	Pollen filter	250
Flashing the headlights	79	I dentification data	267	Power windows	100
Fluid level checks	242	Ignition switch	16		

Pretensioners	139	Safety devices	134	– warming up the engine	162
Protecting the environment ...	133	Seats	56- 57- 58	Steering	272
R adio transmitters and cellular telephones	125	Seat belts		Steering column lock	17
Rain sensor.	83	– general instructions	140	Steering column stalks	78-81
Rear fog light		– height adjustment	137	Steering wheel adjustment	60
– bulb replacement	220	– maintenance	143	Sunroof	96
– control button	91	– use	135	Sun visors	95
Rear window washer		Side/taillights		Suspensions	272
– control	85	– bulb replacement	228-220	Symbols	11
– fluid level	248	– control	78	T echnical specifications ...	266
Rear window wiper		Smart washing (windscreen) 82- 85		Third brake light	
– blade	259	Snow chains	172	– bulb replacement	220
– control	85	Sound system		Tools	207
– nozzle	261	– installation	121	Towing the car	233
– smart washing	85	– set-up	120	Towing trailers	168
Rearview mirrors	60-61	– wiring diagram	122	Transmission	271
Reconfigurable multifunction display	28	Spark plugs	270	Transporting children in safety	142
Rev counter	18	Starting the engine		Tyres	
Reversing light		– bump starting	202	– standard	275
– bulb replacement	218	– diesel versions	161	– understanding tyre marking	273
Rims	274	– emergency start-up	162	– winter tyres	171
Roof rack/ ski rack		– ignition switch	16	U sing the gearbox	164
– fasteners	109	– jump starting	201		
Rubber tubing	259	– petrol versions	160		
		– stopping the engine	162		

DASHBOARD AND CONTROLS
SAFETY DEVICES
CORRECT USE OF THE CAR
WARNING LIGHTS AND MESSAGES
IN AN EMERGENCY
CAR MAINTENANCE
TECHNICAL SPECIFICATIONS
INDEX

Warning lights and messages 174

Weights 281

Wheel geometry 273

Wheels

- changing 202
- spare 204

Windows

- cleaning 264
- side rear 95

Windscreen/ rear window/ headlight washer fluid level . 248

Windscreen washer

- control 81
- fluid level 248

Windscreen wiper

- blades 259
- control 81
- nozzles 261
- smart washing 82

PROVISIONS FOR THE PROCESSING OF A VEHICLE AT THE END OF ITS LIFE-CYCLE

For years now Fiat has been developing its global commitment towards the safeguarding and protection of the Environment through the continuous improvement of its production processes and the making of increasingly more "eco friendly" products. With a view to guaranteeing the best possible service to clients in full observance of environmental standards and in response to the obligations imposed by European Directive 2000/53/EC on end-of-life vehicles, Fiat offers its clients the possibility to hand in their vehicle* at the end of its life span without additional costs.

The European Directive, in fact, provides for the take-back of the vehicle without the last holder or owner of the same incurring expenses due to the fact that the market value of the vehicle is zero or negative. In particular, in almost all of the countries of the European Union, up until 1st January 2007, take-back of the vehicle free of charge only applies to vehicles registered from 1 July 2002 on, while, from 2007 on, take-back will be carried out free of charge, independently of the year of registration, provided that the vehicle still contains all its essential component parts (especially engine and body) and is free from additional waste materials.

Our contracted network of authorised treatment facilities has been carefully selected in order to provide a quality service to our customers by de-polluting and recycling "End of Life Vehicles" to approved environmental standards. To find out the location of your nearest authorised treatment facility, offering free of charge take-back, simply contact one of our dealers or refer to the Fiat web site or call the toll free number 00800 3428 0000.

* Passenger transportation vehicles to seat a max. of nine persons, having a total admissible weight of 3.5 t

Oil change? The experts recommend Selenia.

*The engine of your car is factory filled with **Selenia**.
This is an engine oil range which satisfies the most advanced
international specifications. Its superior technical characteristics
allow **Selenia** to guarantee the **highest performance**
and **protection of your engine**.*

The Selenia range includes a number of technologically advanced products:

SELENIA PERFORMER MULTIPOWER

Particularly ideal for the protection of new generation petrol engines, very effective even in the most severe weather conditions. It guarantees a reduction in fuel consumption (Energy conserving) and it is also ideal for alternative engines.

SELENIA K

is the synthetic lubricant with innovative technology, which ensures improved cold starting for petrol engines and the utmost protection also under typically “urban” conditions of use. Owing to its 5W-40 viscosimetric grade and its special formulation it more effectively meets the emission limits required by new European regulations and exceeds the major international specifications.

SELENIA WR

Oil specifically designed for common rail Multijet engines. Particularly effective during cold starts, it guarantees maximum wear protection and hydraulic tappets control, reduction in consumption and stability at high temperatures.

SELENIA DIGITECH

Fully synthetic lubricant for petrol and diesel engines. Its advanced technology guarantees maximum protection, a reduction in consumption and reliability in extreme climate conditions.

The range also includes Selenia StAR, Selenia Racing, Selenia 20K Alfa Romeo, Selenia TD, Selenia Performer 5W-40
For further information on Selenia products visit the web site www.fl-selenia.com.

VERSIONS	Size	STANDARD TYRE				SPACE-SAVER SPARE WHEEL
		Medium load		Full load		
		Front	Rear	Front	Rear	
1.28V with mechanical steering	155/80 R13 79T	2.0	1.9	2.2	2.1	2.8
1.28V with electrical power steering	165/70 R14 81T 185/60 R14 82H 185/55 R15 82H	2.0	1.9	2.2	2.1	2.8
1.216V - 1.416V	165/70 R14 81T 185/60 R14 82H 185/55 R15 82H	2.0	1.9	2.2	2.1	2.8
1.416V Sporting 1.9 JTD Sporting	185/55 R15 82H 185/55 R15 82H	2.2 2.4	2.1 2.1	2.4 2.4	2.3 2.3	2.8
1.3 Multijet	165/70 R14 81T 185/60 R14 82H 185/55 R15 82H	2.2	2.1	2.4	2.3	2.8
1.816V - 1.9 Multijet	185/55 R15 82V	2.4	2.1	2.4	2.3	4.2
1.9JTD	185/60 R14 82H	2.4	2.1	2.4	2.3	2.8
	185/55 R15 82H	2.4	2.1	2.4	2.3	2.8

ENGINE OIL CHANGE

	1.28v - 1.216v - 1.416v		1.816v		1.3 Multijet		1.9JTD - 1.9 Multijet	
	litres	kg	litres	kg	litres	kg	litres	kg
Engine sump	2.5	2.2	3.7	3.3	2.85	2.5	4.0	3.5
Engine sump and filter	2.8	2.5	4.1	3.65	3.0	2.6	4.3	3.7

FUEL CAPACITIES (litres)

	1.28v - 1.216v - 1.416v - 1.816v	1.3 Multijet - 1.9JTD - 1.9 Multijet
Tank capacity	47	49
Reserve	5 - 7	5 - 7

Refuel petrol engines with unleaded petrol with an octane rating (RON) no lower than 95 only.

Refuel diesel engines with diesel fuel for motor vehicles (EN590 specifications) only.



The data contained in this publication is intended merely as a guide. FIAT reserves the right to modify the models and versions described in this booklet at any time for technical and commercial reasons. If you have any further questions please consult your FIAT dealer. Printed in recycled paper without chlorine.