

Welcome

- Thanks for purchasing this Action Camera
- Please read this instruction manual to ensure correct use of the product prior to use.
- Please keep this instruction manual in a safe place.
- Please ensure that the sales store fills out the warranty with the date of purchase and the name of the store.
- The warranty does not cover any damage that may occur during a sport activity. It is the users responsibility to secure the action cam securely to any sport equipment.

Contents

What's in the Box

How to use

Action Camera Overview

Initial Set Up

Charging The Battery

Power on/off Your Action Camera

Card Slot Empty

APP Settings

Micro SD card Storage Chart

Basic Settings Via SETTINGS.TXT File

Take a Video

Take Still Pictures

Playback on your computer

On a Mac

LED Status Table

Removing/Installation Battery

LED Status

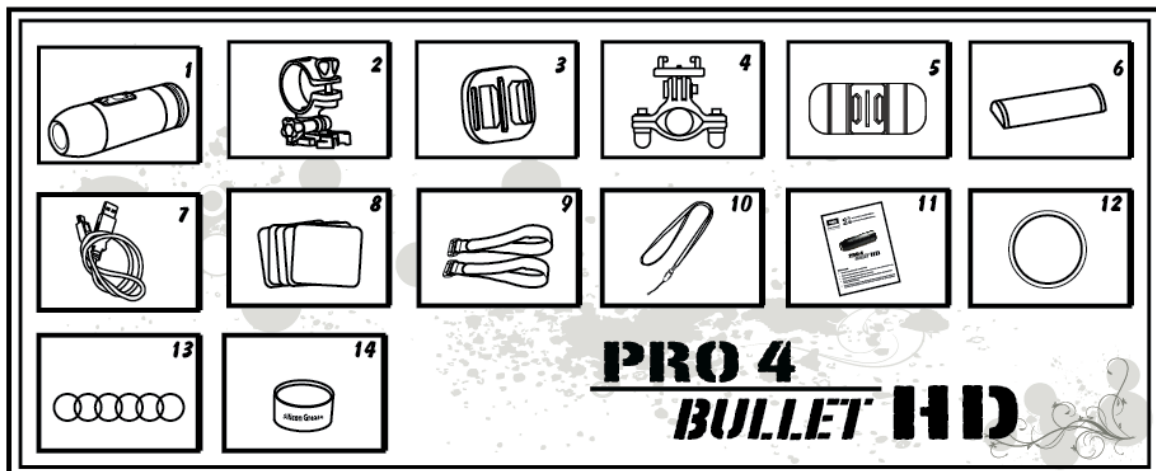
Wi-Fi Built In

Repairs

Technical Specifications

Warranty

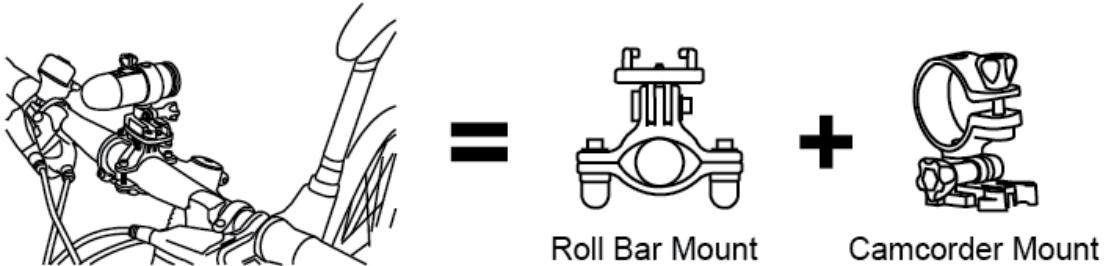
What's In The Box



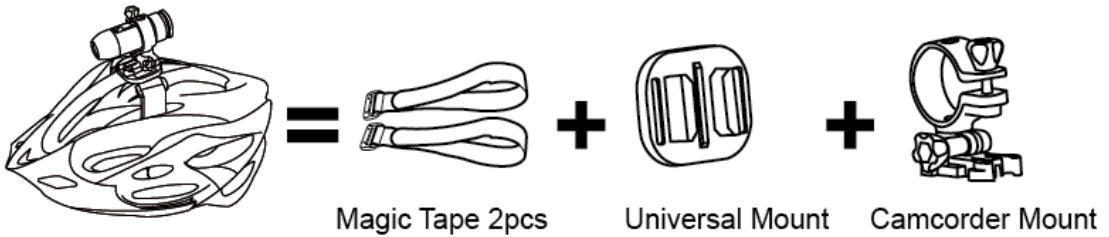
1. Camcorder with Sound Cap (water resistant)
2. Camcorder Mount
3. Universal Mount
4. Roll Bar Mount
5. Curved Mount
6. Battery
7. USB Cable
8. Adhesive Stickers 5pcs
9. Magic Tape 2pcs
10. Hand Safety Strap
11. User Manual
12. Waterproof Cap
13. Rubber O-ring 6pcs
14. Silicon Grease

How to use

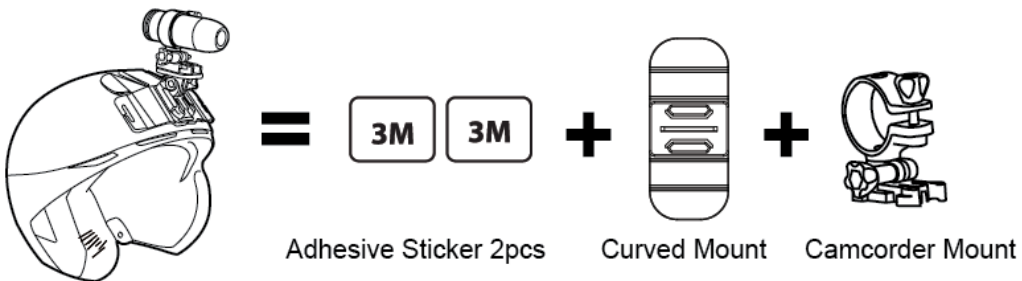
1. Camera on handlebar



2. Camera on vented helmet



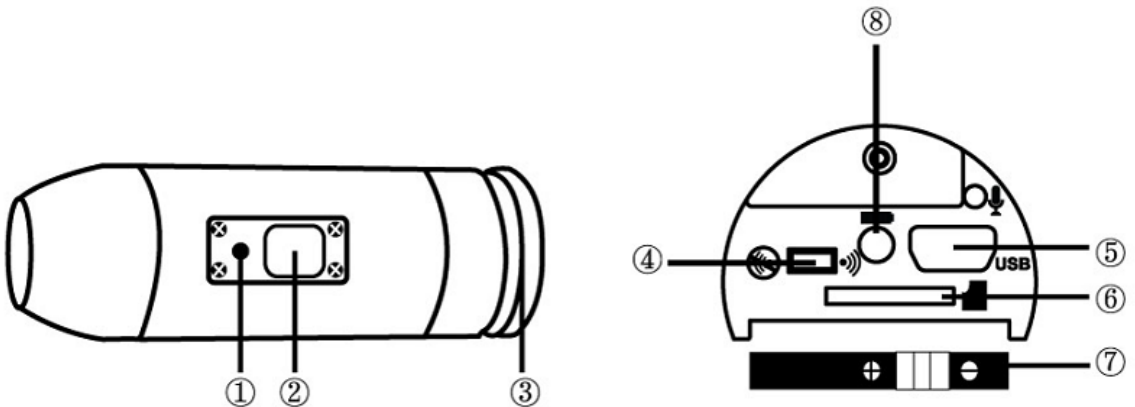
3. Camera on top of helmet / any curved surface



4. Camera on any flat surface / tripod



Action Camera OVERVIEW



- ① LED ② Power / Shutter ③ Rear Cap ④ WiFi OFF/WiFi On
⑤ USB ⑥ Micro SD Card Slot ⑦ Battery ⑧ Battery Charging LED

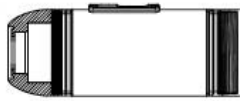
Initial Set Up

1. Make sure the Action Camera is OFF before adding or removing the memory card!
2. Screw out the rear cap (open) located at the back of the Action Camera ③.
3. Install a micro SD memory card (max up to 128GB(FAT32) into the rear slot. To insert the micro SD card, slide the micro SD card into the card slot on the back of the Action Camera with the card label facing down. The micro SD card will click into place once it is inserted past flush with the Action Camera. Use your fingernail to do this. Then screw in the rear cap till is complete lock.
4. If no micro SD memory is inserted in the Action Camera, the LED on top of the camera will blink red and blue.
5. When using a micro SD memory card in the Action Camera, there should be no data from other devices on the card. If you are using a micro SD memory card for the first time in the Action Camera, first you should format the card in your computer.



Using Action Camera for Water Sports

Remind you to put some silicon grease to the rubber O-ring from time to time, especially before using underwater. Make sure the rear cap ③ was closed tight.



O-ring



Silicon Grease



Waterproof Cap



Charging The Battery

Screw out the rear cap located at the rear of the camera ③ and Plug the USB charger to the camera. The charging LED⑧ is on while charging, goes off when the battery is fully charged. On the first use charge the battery 10 hours before use! You can record up to 90 minutes with one charge.

Power on/off Your Action Camera

Turn Action Camera On	Turn on the Action Camera by pressing the Power/Shutter button ② for at least 3 seconds until the blue LED turns on. The camera will vibrate once long. After releasing the button the red LED flashes and beep three times, indicating that the Action Camera is in standby mode.
Turn Action Camera Off	Turn the Action Camera off by pressing the Power/Shutter button ② in standby mode until the red LED flashes. The Action Camera will short vibrate twice and beep 6 times and will switch off.

Card Slot Empty

If there is no Micro SD card in the camera, the red and red LED will flash for 15 seconds. Then, the camera will switch off automatically. Friendly reminder: Please insert the Micro SD card before using the camera!

APP Settings

Video Resolution	4K@24fps
	1080P@60fps (default)
	1080P@30fps
	720P@60fps
	720P@30fps
Time Lapse	Off(default)
	1 frame per second
	1 frame per 2 second
	1 frame per 5 second
	1 frame per 10 second
	1 frame per 30 second
	1 frame per 60 second
Loop Record	Off (default)
	ON
Video time	3min
	5min (default)
	10min
	15min
	30min(4K\1080P@60fps)
Audio Record	Off
	ON (default)
Auto Recording	Off
	ON (default)
Date Stamp	Off (default)
	ON
Image Size	12M 4032x3024
	5M 2593x1944 (default)
Quality	Fine (default)
	Good
	Normal

Default Setting	OK
	Cancel
Auto Power Off	Off
	3min (default)
	5min
	10min
Wi-Fi Name	
Reset Password	
Version	

Remember to insert a micro SD card before you start taking videos or pictures!

Storage Chart										
Mode	Photo(5M)					Video				
	8GB	16GB	32GB	64GB (FAT32)	128GB (FAT32)	8GB	16GB	32GB	64GB (FAT32)	128GB (FAT32)
4K @24fps	5800	11600	23200	46400	92800	45 mins	90 mins	180 mins	360 mins	720 mins
1080P @60fps						50 mins	100 mins	200 mins	400 mins	800 mins
1080P @30fps						70 mins	140 mins	280 mins	560 mins	1120 mins
720P @60fps						90 mins	180 mins	360 mins	720 mins	1440 mins
720P @30fps						110 mins	220 mins	440 mins	880 mins	1760 mins

Basic Settings Via SETTINGS.TXT File

You can also change the settings via the SETTINGS.TXT file, the file will be created automatically on the micro SD sard after the camera is turned ON

```
#####
#system setting
# CAUTION: TO PREVENT SERIOUS SYSTEM CRASH, ONLY ENGLISH ALPHA-NUMERICS CAN BE USED FOR BELOW
PARAMETERS AND CAMERA NAME
#####
VERSION          = PW20161212V01          # DO NOT CHANGE
WIFI_NAME         = FIRE-CAM              # wifi name,length 1-24 (a-z, A-Z, 0-9)
WIFI_PASSWORD     = 00000000             # wifi password, length 8-24 (a-z, A-Z, 0-9)
RESOLUTION        = 1                     #
(0=4K@24,1=1080p@60,2=1080p@30,3=720p@60,4=720p@30)
VIDEO_TIME        = 1                     # (0==3mins,1=5mins,2=10mins)recording interval
time
QUALITY           = 0                     # (0=fine, 1=good, 2=normal)
LOOP_RECORD       = 0                     # (0=off, 1=on)
DATE_STAMP        = 0                     # (0=off, 1=on)
G-SENSOR          = 1                     # (0=off, 1=low, 2=mid, 0=high)
PHOTO_SIZE        = 1                     # (0=12M, 1=5M)
TIMELAPSE         = 0                     # (0=off, 1=1s, 2=5s, 3=10s, 4=30s, 5=60s)
AUDIO_RECORD      = 1                     # (0=off, 1=on)
AUTO_RECORD       = 1                     # (0=off, 1=on)
AUTO_POWER_OFF    = 1                     # (0=Off, 1=3min, 2=5min, 3=10min)
TIME_SET          = N2016.01.01.00:00:00 # (Y=change N=No change
DEFAULT_SETTING   = 0                     # (0=false, 1=true) when set to 1, the camera
will ignore other settings, set to system default and write the default settings in this file
#####
#end
#####
```



Take a Video

Turn on the Action Camera by pressing the Power button ②. Connect the Action Camera to your smartphone via WiFi. Use “Action Camera” APP to set to Photo Mode. Then, you can use APP to start taking photos now. Or press the Power/Shutter Button ② shortly to start a video recording. The red LED will blink while the video is recording. Press the Power/Shutter Button ② again to stop recording.



Take Still Pictures

Turn on the Action Camera by pressing the Power button ②. Press the Power/Shutter ② button to start taking photos, the red LED will blink and it will beep once. Press the Power/Shutter button ② again and it will beep twice to stop taking photos and to go back to the standby mode. In photo mode the Action Camera will take sequentially photos every 3 seconds. It stops automatically if the battery is empty or if the micro SD card is full.



Playback On Your Computer

Power on the Action Camera and connect with your computer via USB cable from the USB port ⑤. The camera will be recognized automatically as USB Device. Or you can take out the micro SD card and use your own card reader to connect with your computer too.



Caution!

The device must be power on while connected with computer for data download. Don't remove the battery!

When you remove the battery while the video is playing, damage to your video data could occur!

Don't remove the USB cable under "Mass Storage" status! Please switch off the camera before removing the USB cable!

On a MAC

Simply plug the Action Camera into your MAC with the included USB cable, turn your Action Camera on, and the MAC OS will recognize the Action Camera as an external hard drive.

IMPORTANT TIP FOR MAC USERS

When deleting files from your Micro SD cards you must empty the trash before removing it or unplugging the Action Camera. If you do not

empty your trash the photos and videos files will not be completely erased from your cards.

Removing/Installation Battery

The battery is designed to have a very tight fix to maximize reliability in high vibration activities. To remove the battery, pull it out with the battery holder.

It is intentionally not easy to do, but the battery will come out.

Additional batteries and mount packages are available at www.ActionCamera.us

LED Status

Status Table	WiFi LED(Blue)	Work LED(Red)	Power LED(Blue)	Charge LED	Buzzer	Vibrate
Power On	Off	Flashing	On	Off	3 times	2 seconds
Standby	Off	Off	On	Off	Off	Off
Battery Charging	Off	Off	On	On	Off	Off
Taking Video	Off	Flashing	On	Off	1 times	0.5 seconds
Taking Photo	Off	Flashing	On	Off	1 times	0.5 seconds
Stop Video	Off	Off	On	Off	2 times	0.5 seconds
Stop Photo	Off	Off	On	Off	2 times	0.5 seconds
Card Slot Empty	Off	Flashing	On	Off	Off	Off
Micro SD card full	Off	Flashing	On	Off	4 times	2 seconds
Date Transfer	Off	Flashing	On	Off	Off	Off
WiFi Connecting	Flashing	Off	On	Off	Off	Off
WiFi Connected	On	Off	On	Off	Off	Off
Low Battery	Off	Flashing	On	Off	2 seconds	2 seconds

REMARKS:

THE SPECIFICATION IS SUBJECT TO CHANGE WITHOUT NOTICE.

Repairs

Since most helmet cameras are used for recording extreme sports or outdoors activity. Like this and you will probably end up with a broken camera which warranty does not cover any damage that may occur during a sport activity.

Check with us before giving up on your Action Camera!

<http://www.ActionCamera.us/repairs/>

You might be able to fix your Action Camera even if you think they are broken and beyond hope. We're the great problem-solvers, and you are able to fix at home whatever is possible to repair your Action Camera with your hands.

We want to help you get the full value from your camcorder; there are tutorial videos to show you how to repair your cam at our YouTube channel, <http://www.youtube.com/ActionCameracam>
This is easy and simply! We are users too!

Technical Specifications

Optics:

- WIDE ANGLE view

- f/2.0, fixed focus glass lens

Video:

- Resolution Settings: 4K: 3840x2160 @ 24fps
- Full HD Resolution Settings: 1080p: 1920x 1080 @ 60/30fps
- HD Resolution Settings: 720p: 1280 x 720 @60/30fps
- Sensor Type: 1 / 3" HD CMOS
- Light Sensitivity: 1.4 V/lux-sec (550nm)
- Video Format: MJPG codec, .MOV file format
- Exposure Control : Auto
- White Balance: Auto

Audio:

- Built-in microphone

Photo:

- Resolution: 2592 x 1944
- Camera: 5.0 Mega Pixels
- Format: JPEG
- Capture mode: Auto snap shot every 3 seconds

Storage:

- Memory: Micro SD card, up to 128GB capacity (no included)
(recommended Class 6 or above)
- Avg. Record Time: 10~15min/GB

Product size: 104 x 32 x 32 mm

Weight: 104g

Operating System (for USB drive):

Win ME, 2000, XP, Vista, Win 7, Win 8; Mac OS X 10.6+

Warranty:

Your Action Camera Wearable Sports Camcorder is covered by a 365 days Limited Warranty on parts and labor from the date of

original purchase, and purchases must be made through an authorized dealer. The warranty covers defects in workmanship and materials. The warranty does not apply to units, which have been damaged or abused intentionally or unintentionally. Purchase from individuals or unauthorized internet sites voids the warranty. The warranty does not apply to units where the rear cap was incorrect closed.

Tampering with or altering the unit will void the warranty. Any unauthorized service will void the warranty. Original sales receipt must be produced for any warranty service and a return authorization must be obtained from our customer service points.

The warranty does not cover any damage that may occur during a sport activity. It is the users responsibility to secure the Action Camera securely to any sport equipment.


Warning:

The form and functions of ACTION CAMERA, accessories, logos, and all graphics are the patented, protected property of Silver Creation International Ltd. Any attempt by anyone other than our authorized dealers to copy or reproduce any of the above without permission of SCi will be met with legal action. SCi products are available for purchase only from authorized dealers.

END 

Shoot and share video at



www.BulletHD.us

V1.0 BulletHD PRO4 UM English

Technical changes and mistakes reserved!

Due to rapid technical development, products are under constant changes / improvements

- please check www.Action Camera.us for current updates.

BULLET HD[®]

WARRANTY CARD

This warranty is a guarantee that repairs will be carried out free of charge as per the information on the date of purchase during the period set out below until damage occurs.

Customer details

Name: _____ Mr. / Ms.

Tel: _____

Address: _____

Model Number: _____

Serial Number: _____

Information on BulletHD's products
can also be seen on the homepage:
www.BulletHD.us

Term of Warranty:	From Date of Purchase		
■ Date of Purchase:	Year	/Month	/Day
■ Dealer info:			
Tel:			

Manufacturer by: Silver Creation International Limited





Environmental friendly

Let's do something for our planet!!

Please download the drivers & software from
our official webpage:



www.ActionCamera.us

Warning Statement

This device complies with part 15 of the FCC Rules. Operation is subject to the following two conditions: (1) This device may not cause harmful interference, and (2) this device must accept any interference received, including interference that may cause undesired operation.

Any Changes or modifications not expressly approved by the party responsible for compliance could void the user's authority to operate the equipment.

Note: This equipment has been tested and found to comply with the limits for a Class B digital device, pursuant to part 15 of the FCC Rules. These limits are designed to provide reasonable protection against harmful interference in a residential installation. This equipment generates uses and can radiate radio frequency energy and, if not installed and used in accordance with the instructions, may cause harmful interference to radio communications. However, there is no guarantee that interference will not occur in a particular installation. If this equipment does cause harmful interference to radio or television reception, which can be determined by turning the equipment off and on, the user is encouraged to try to correct the interference by one or more of the following measures:

- Reorient or relocate the receiving antenna.
- Increase the separation between the equipment and receiver.
- Connect the equipment into an outlet on a circuit different from that to which the receiver is connected.
- Consult the dealer or an experienced radio/TV technician for help.

The device has been evaluated to meet general RF exposure requirement. The device can be used in portable exposure condition without restriction.