

BRK Brands, Inc., ("BRK") warrants that for a period of five (5) years from the date of purchase, this product will be free from defects in material and workmanship. BRK, at its sole option, will repair or replace this product or any component of the product found to be defective during the warranty period. Replacement or repair will be made with a new or remanufactured product or component. If the product is no longer available, replacement may be made with a similar product of equal or greater value. This is your exclusive warranty.

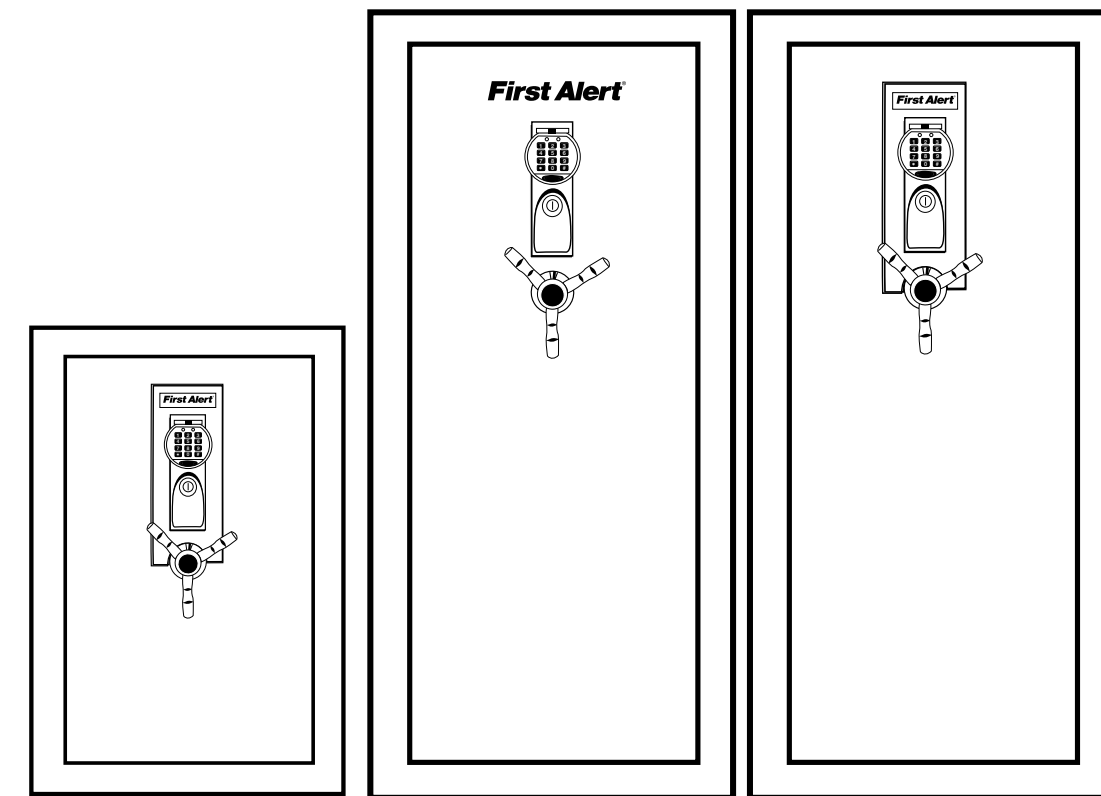
This warranty is only valid for the original retail purchaser from the date of initial retail purchase and is not transferable. You must keep the original sales receipt. Proof of purchase is required to obtain warranty performance. BRK dealers, service centers, or retail stores selling this product do not have the right to alter, modify or in any way change the terms and conditions of this warranty.

This warranty does not apply to the finish on the product. This warranty does not cover normal wear and tear of parts or damage resulting from any of the following: negligent use or misuse of the product, use contrary to the operating instructions, disassembly, repair or alteration by anyone other than BRK or an authorized service center, improper installation, or exposure to extremes of heat or humidity. Further, the warranty does not cover Acts of God, such as fire, flood, hurricanes and tornadoes.

BRK shall not be liable for any incidental or consequential damages caused by the breach of any express or implied warranty. BRK is also not responsible for: costs associated with removing or installing the product; damage or loss of the contents of the product; nor for the unauthorized removal of the contents; or damages incurred during shipment.

Except to the extent prohibited by applicable law, any implied warranty of merchantability or fitness for a particular purpose is limited in duration to the duration of the above Warranty Period. Some states, provinces or jurisdictions do not allow the exclusion or limitation of incidental or consequential damages or limitations on how long an implied warranty lasts, so the above limitations or exclusion may not apply to you. This warranty gives you specific legal rights, and you may also have other rights that vary from state to state, or province to province, or jurisdiction to jurisdiction.

Operation & Installation Guide



EXECUTIVE SAFE

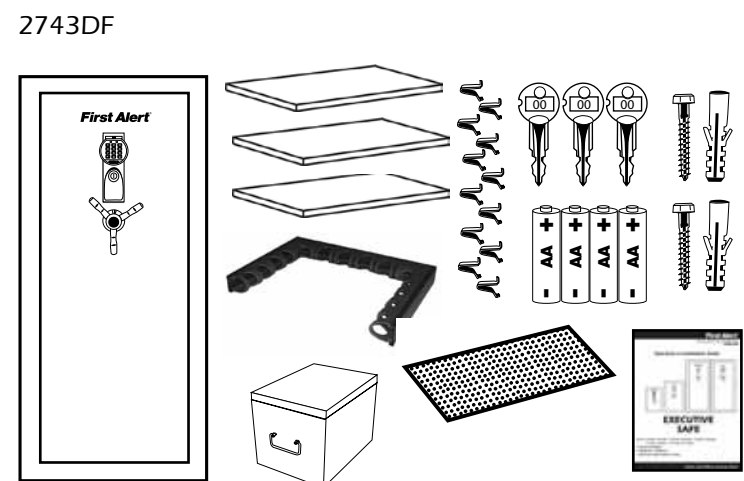
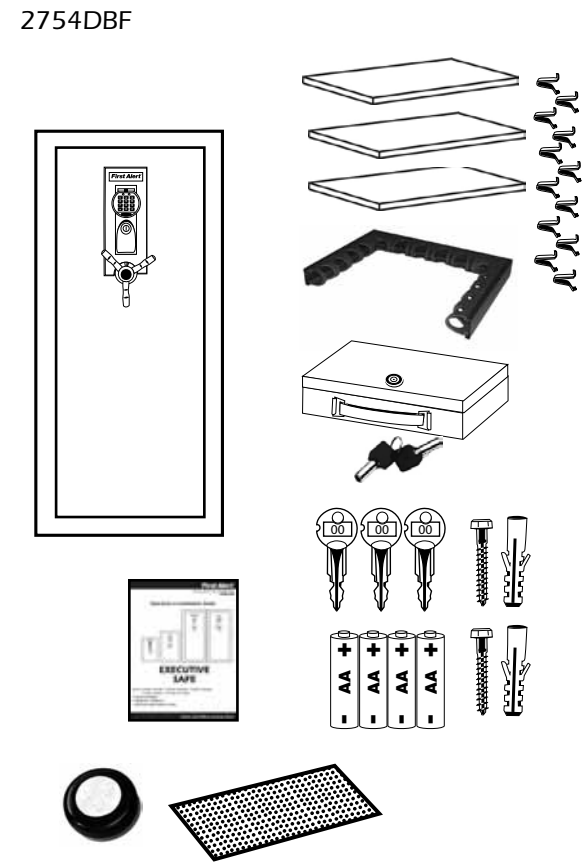
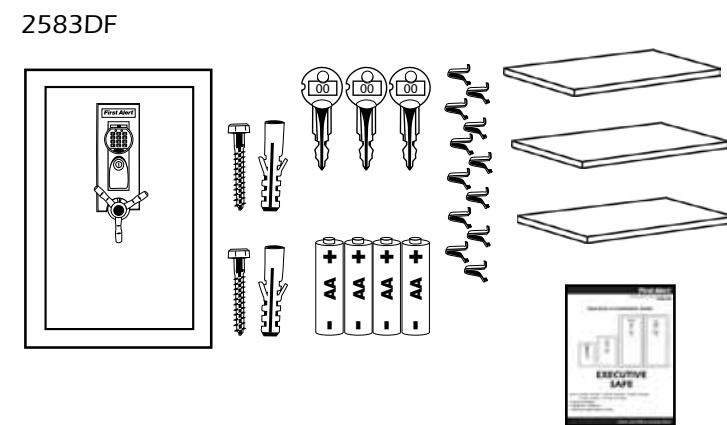
If you have any questions that cannot be answered by reading this manual, call Consumer Affairs at 1-800-323-9005

© 2010 BRK Brands, Inc., a Jarden Corporation company (NYSE: JAH)
3901 Liberty Street Road, Aurora, IL 60504-8122
All rights reserved.

www.FirstAlert.com

Models 2583DF / 2743DF / 2754DBF

- Read carefully
- Keep for reference
- Do not keep inside of safe



Safe Identification Record

Model Number _____ 1

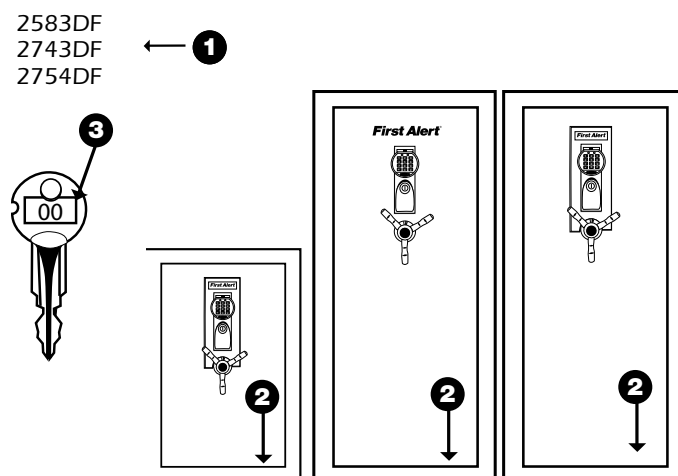
Serial Number _____ 2

Key Number _____ 3

Digital Passcode Record - Model 2583DF / 2743DF / 2754DBF

Your Passcode must be at least 3 digits and no more than 8 digits followed by the # key.

								#
--	--	--	--	--	--	--	--	---



Important: DO NOT RETURN SAFE TO STORE

If you are missing parts, have difficulty programming your safe or have any other questions pertaining to its proper use and care, DO NOT RETURN your safe to the store. Please contact Consumer Affairs at 1-800-323-9005, 7:30 am – 5:00 pm Central Standard Time, Monday through Friday. To assist us in serving you, please have the model number and date of purchase available when calling.

Appropriate use of your safe

This Executive Safe protects records and many other valuables. Testing shows that the interior temperature of the safe remains below 350°F (177°C) for 30 minutes during a fire up to 1200°F (649°C) when used properly. Your safe must be closed and latched in order to properly protect the contents from fire.

Important:

Because pearls sustain heat damage at temperatures below 350° F, we advise that you **DO NOT** store pearls in this safe.

Safe Care and Maintenance

When properly maintained, your safe will continue to operate and accurately read the authorized Passcode for many years. In order to ensure optimum performance of your safe, please follow these simple precautions:

Replace Batteries – For best results and performance, we recommend that the batteries be replaced at least once a year or sooner depending on amount of use.

Clean Hands - Never attempt to operate the digital keypad if your hands have excessive dirt, debris or liquids on them.

Clean Safe – To clean the surface of your safe, it is recommended that you use a mild cleaner (e.g., window cleaner) to avoid scratching or discoloring the surface. Always wipe dry and NEVER use abrasive cleansers on the safe or digital keypad.

Moisture – We recommend that you place delicate items such as pictures or intricate jewelry into an air-tight container before storing them in your safe. Avoid placing your safe in areas of high humidity. For optimum performance, the safe should be opened and aired out for at least 20 minutes every two weeks.

For future reference, store this Operation and Installation Guide in a secure area away from the safe. DO NOT DISCARD!

How to Obtain Warranty Service

If service is required, do not return the product to your retailer. In order to obtain warranty service, contact the Consumer Affairs Division at 1-800-323-9005, 7:30 am – 5:00 pm Central Standard Time, Monday through Friday. To assist us in serving you, please have the model number and date of purchase available when calling.

For Warranty Service return to:

First Alert, Inc.,
Attn: Warranty Safe Returns
23610 So. Banning Blvd.
Carson, CA 90745

Ordering Replacement Keys

If you lose or forget the combination or lose the safe key, you can obtain a copy of the combination or a replacement key from BRK Brands, Inc. You must supply the following information to assure accurate processing:

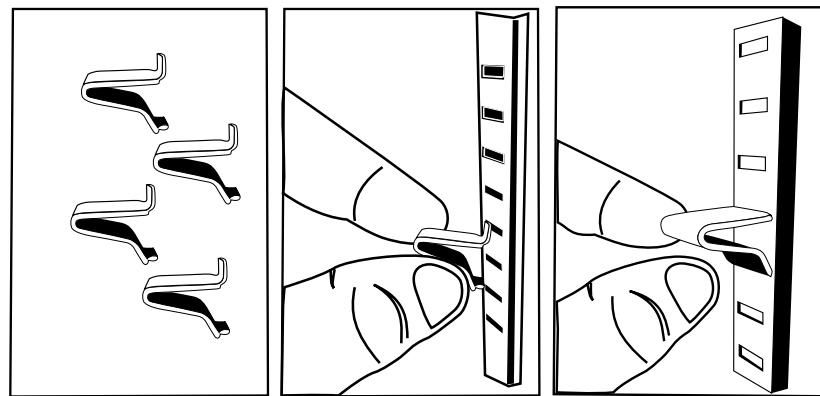
- Name / Address / Telephone.
- Safe Model Number / Serial Number.
- Key Number (located on the key and on the Emergency Override Key lock).
- Notarized statement of ownership.
- For replacement keys, indicate number of keys requested. Please ignore if recovering a lost combination.
- Method for how you would like to receive the combination or keys.

Please send all the information via fax at 630-851-7995 or mail BRK Brands, Inc., 3901 Liberty Street Road, Aurora, IL 60504-8122

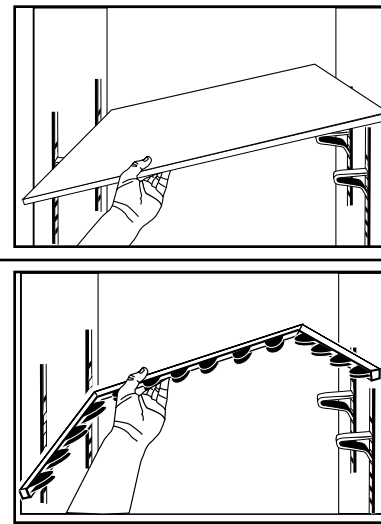
Checks or Money Orders are required for orders received by mail and should be made payable to First Alert. Contact our Consumer Affairs Department for costing information prior to ordering.

Mail to: First Alert
Consumer Affairs
3901 Liberty St Rd
Aurora, IL 60504

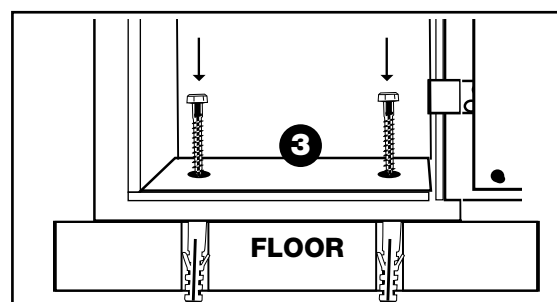
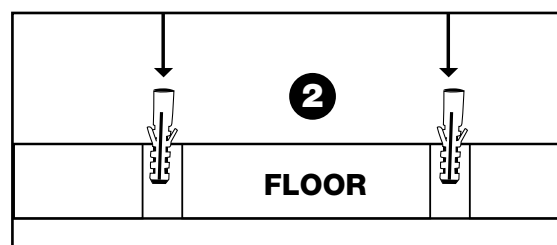
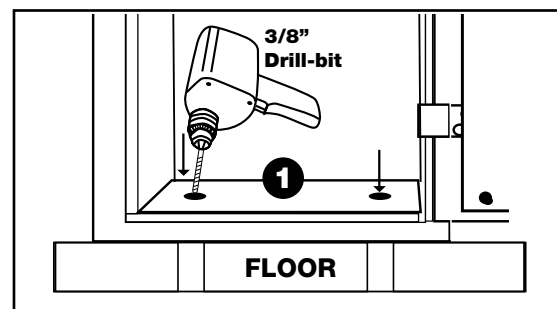
Shelf install



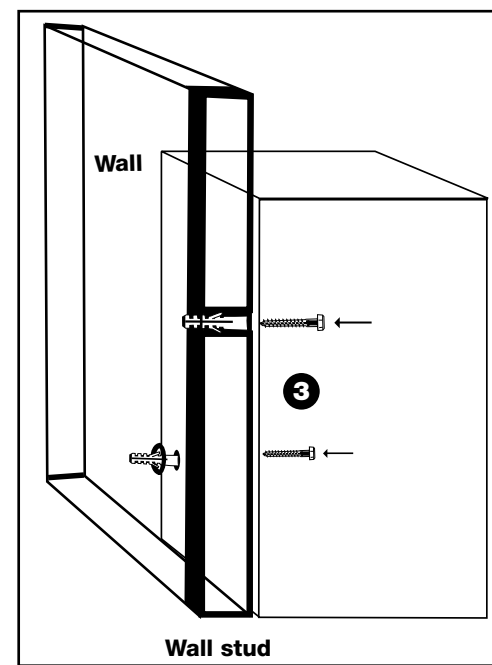
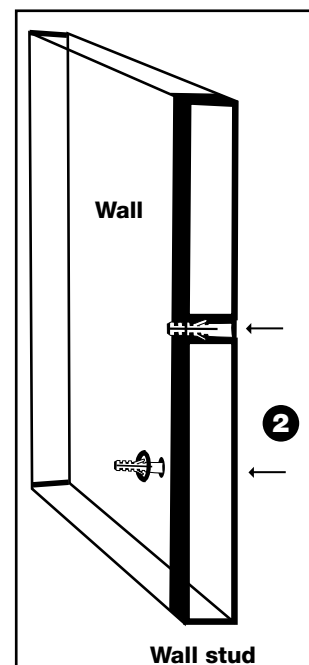
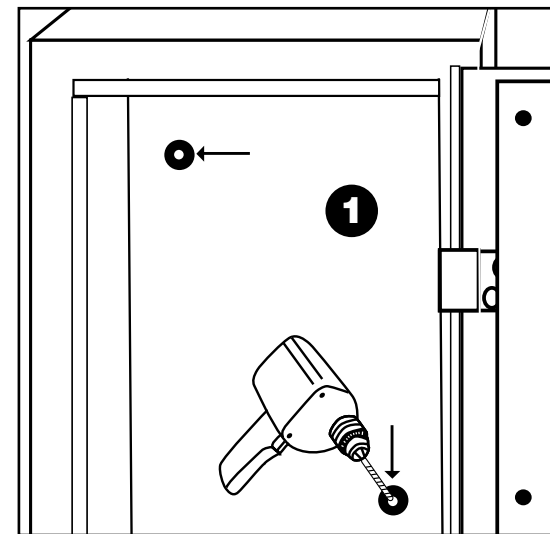
2743DF, 2754DBF



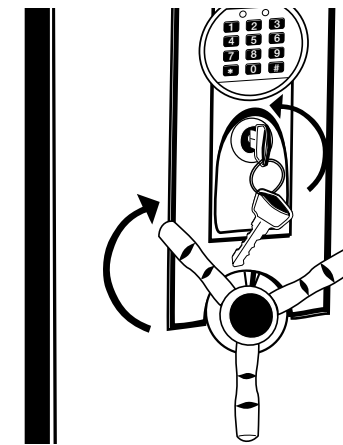
Floor mounting



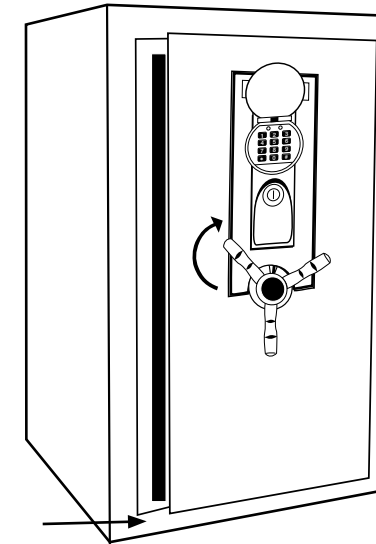
Wall mounting



Override key use



Remove override key lock cover.



Insert key and turn counterclockwise and hold. Rotate handle clockwise then pull door open.

Important:

If the spindle handle will not rotate clockwise after the key is turned, then rotate the spindle handle slightly counterclockwise until it stops, then rotate clockwise again to open.

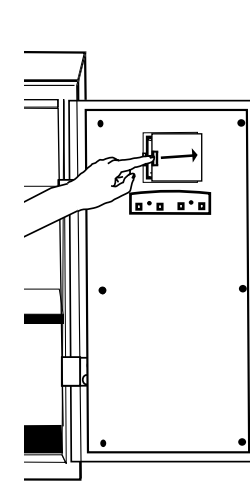
Important:

The override key is used to gain access to the safe to change batteries or if the digital lock fails to operate. This key should be stored in a secure place away from your safe.

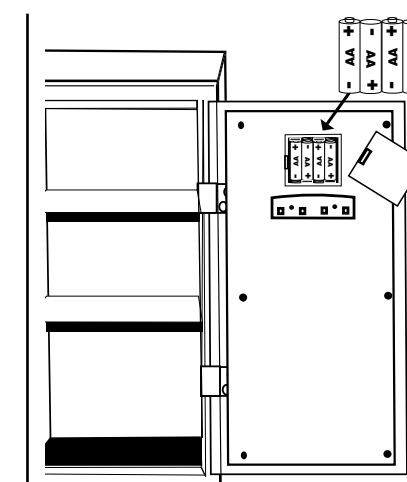
Battery install

Replace 4 AA batteries if red light begins to flash every 2 seconds.

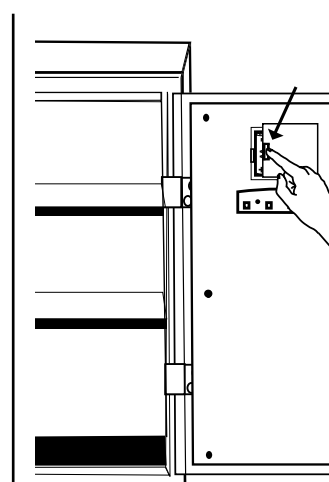
If installed correctly:



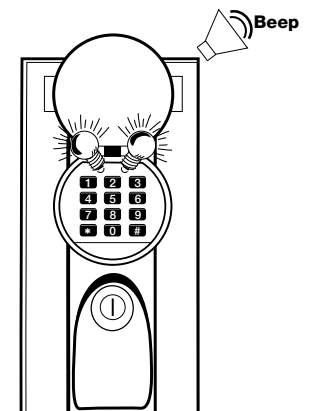
Remove battery cover



Install 4 "AA" batteries in the correct direction



Replace battery cover

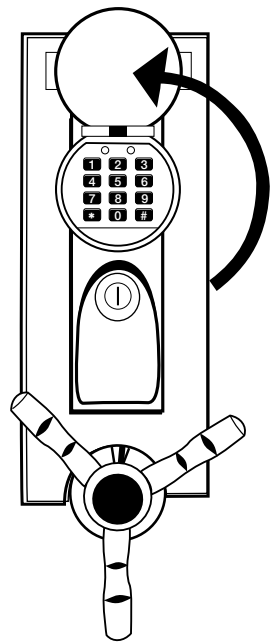


Lights flash followed by audible beep

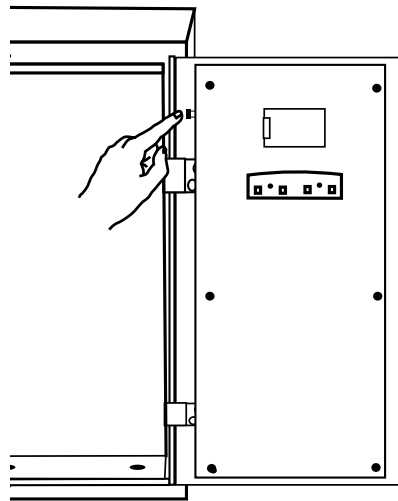
Important:

Clean the battery contacts in the battery compartment and on the batteries before installing new batteries.

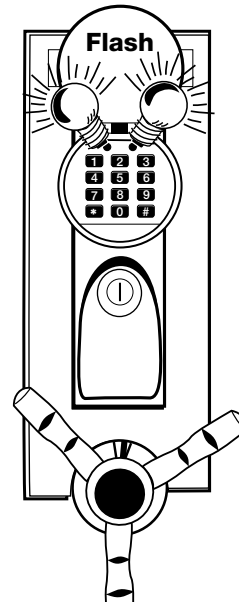
Programming Personal Passcode



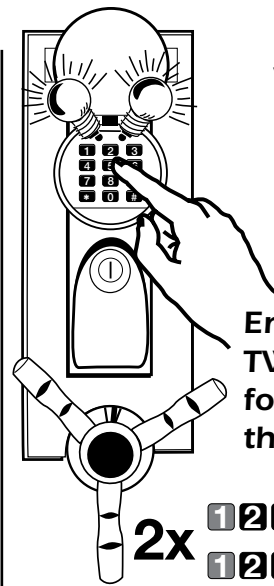
Lift keypad cover



Press reset button



Ready light flashes along with a beep

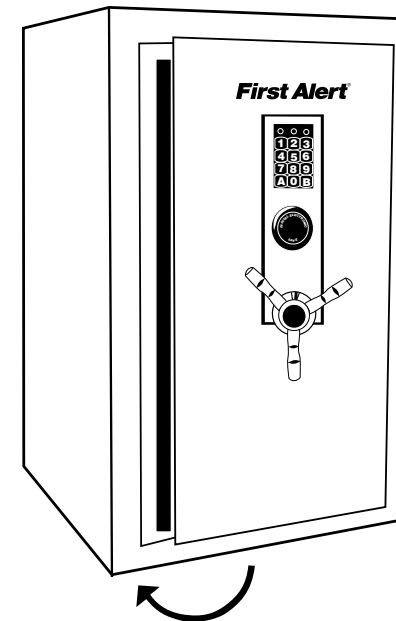


Within 10 Seconds

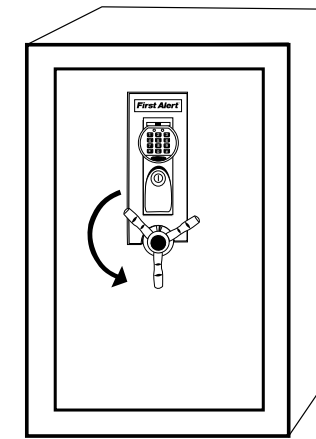
Enter new code TWICE, 3-8 digits followed by the # key

2x 12345678#
12345678#

Lights will then remain solid green. Enter your Personal Passcode twice within 10 seconds



Push door closed then rotate handle counterclockwise fully into the locked position.



Closing safe

TROUBLE SHOOTING:

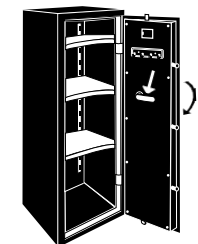
If safe fails to open with your Personal Passcode, try the following:

1. Check to see if the batteries have been installed properly and replace if necessary.
2. Lock-out may have occurred. Wait 15 minutes before trying again.
3. Contact BRK Consumer Affairs Department.

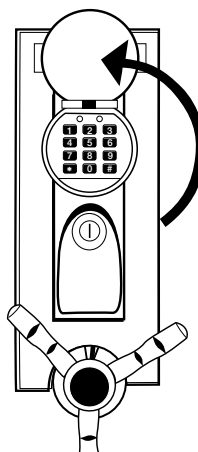
EMERGENCY INTERIOR ESCAPE LATCH

2754DBF ONLY

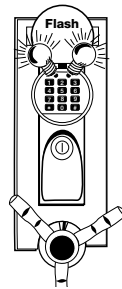
Your safe is equipped with an Emergency Escape Latch to allow the safe to be easily opened from the inside in the unlikely event that someone should become locked inside the safe. To engage, pull down on the lever handle and push the door open.



Personal Passcode entry



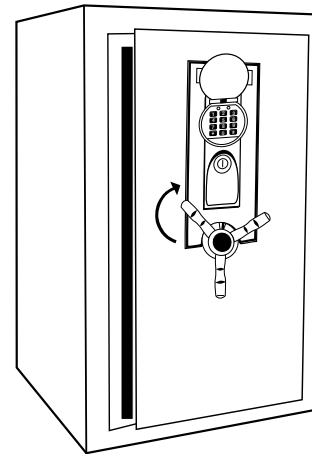
Lift keypad cover



Ready light flashes along with a beep



Lights will then remain solid green. Enter your Personal Passcode + # within 10 seconds



Rotate handle clockwise, then pull door open

SECURITY LOCK-OUT PERIODS:

For added security, the safe will automatically "Lock-out" entry for 15 minutes after three attempts to open with an invalid Passcode.

NOTES

Important:

If the spindle handle will not rotate clockwise after the key is turned, then rotate the spindle handle slightly counterclockwise until it stops, then rotate clockwise again to open.