

Fisher-Price®

*Please keep this instruction sheet for future reference,
as it contains important information.*

Adult assembly is required.

Tool needed to remove beginner base: Phillips Screwdriver (not included).

Ages 5+. Weight Limit: 60 lbs. (27 kg).

Protective equipment shown in these photos is not included.

***Beginner
with beginner base***



***Pro
with pro base***



**Grow-to-Pro®
Pogo**

Product Number: 73386

www.fisher-price.com

Safety Tips



WARNING

To prevent injury: Always wear protective equipment including helmet, wrist guards, knee pads and elbow pads (not included). Always wear shoes.

IMPORTANT! Please take a few moments to review the following safety tips with your child.

- Your child should wear a helmet, wrist guards, knee pads and elbow pads to guard against bumps and bruises.
- An adult should supervise beginners.
- Never use the pogo stick without the beginner bumper base or pro bumper base.
- Never use the pogo stick on grass, soft, sandy, wet or uneven surfaces.
- Your child should wear shoes or sneakers that provide good support.

Consumer Information

Questions? We'd like to hear from you!

If you'd like to order replacement parts, or if you have any questions about this product, please call Fisher-Price® Consumer Relations, toll-free at **1-800-432-KIDS**, 8 AM - 6 PM EST Monday through Friday. Hearing-impaired consumers using TTY/TDD equipment, please call 1-800-382-7470. Or, write to: Fisher-Price® Consumer Relations, 636 Girard Avenue, East Aurora, New York 14052.

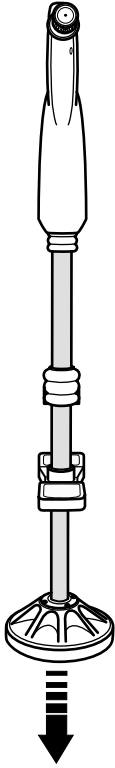
Canada: call 1-800-567-7724, or write to: Mattel Canada Inc, 6155 Freemont Blvd., Mississauga, Ontario L5R 3W2.

Great Britain: telephone 01628 500303.

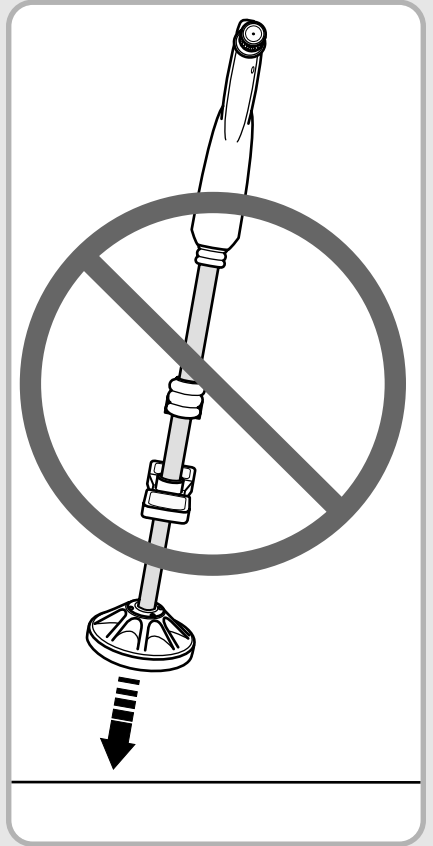
Australia: Mattel Australia Pty. Ltd., 658 Church Street, Locked Bag #870, Richmond, Victoria 3121 Australia.
Consumer Advisory Service 1300 135 312.

New Zealand: 16-18 William Pickering Drive, Albany 1331, Auckland.

Let's Go



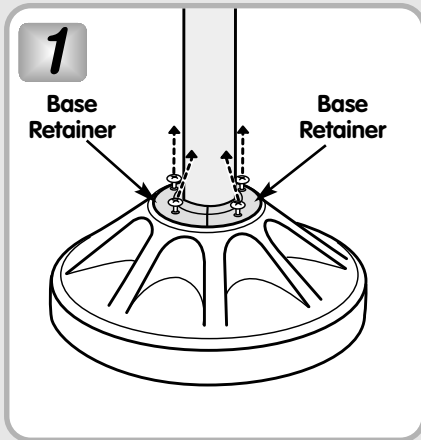
- **Always** bounce on the pogo stick in a vertical position.



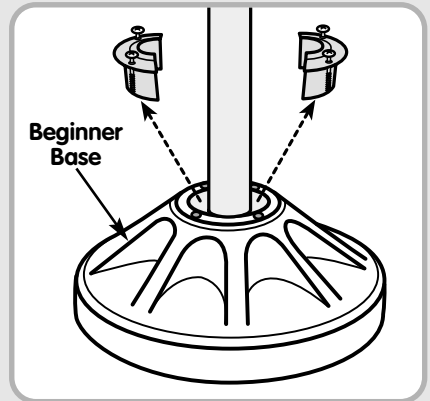
IMPORTANT! NEVER bounce on the pogo stick at an angle. You will not be able to balance properly on the pogo stick.

Remove and Store the Beginner Base

When your child's ready to bounce like a pro, remove the beginner base. Store the beginner base in a safe place for future use.

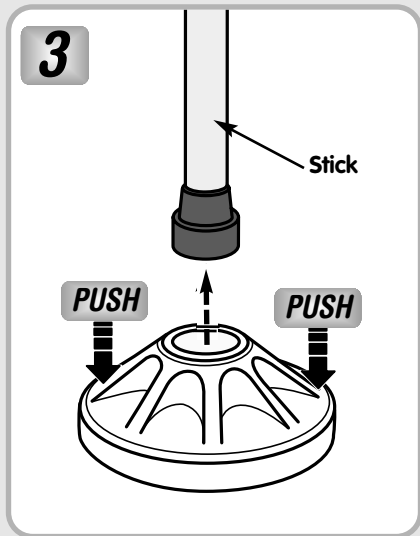


- Loosen all four screws in the base retainers with a Phillips screwdriver. The screws will remain in the base retainers.

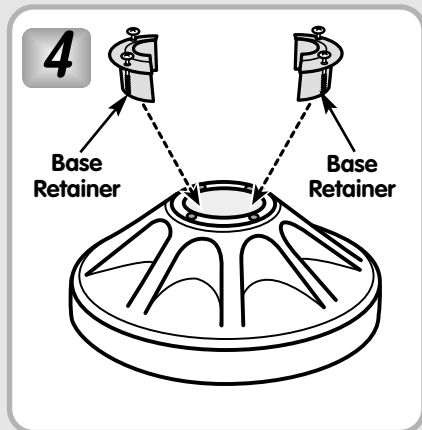


- Lift to remove the base retainers from the beginner base.

Remove and Store the Beginner Base



- While pushing down on the beginner base, lift the stick.

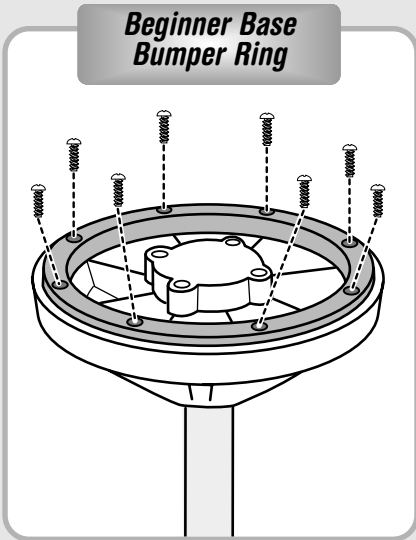


- Replace the base retainers into the beginner base.
- Tighten the screws with a Phillips screwdriver. Do not over-tighten.

Replacing Parts

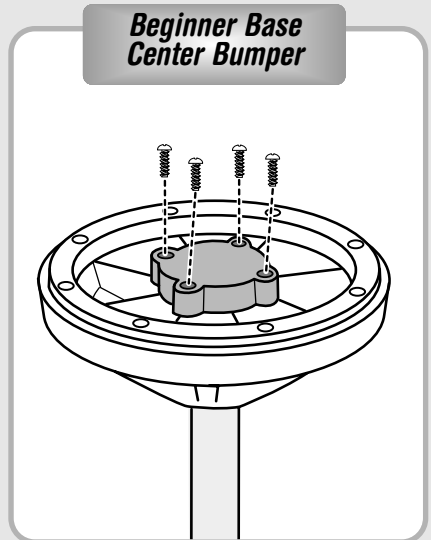
IMPORTANT! Periodically inspect the pogo stick for wear and broken parts. Some parts may be replaceable. Please call Fisher-Price® Consumer Relations at **1-800-432-KIDS** for further information. Parts are available for a nominal cost. Use the instructions on pages 6 and 7 to replace these parts.

Beginner Base Bumper Ring



- Call Fisher-Price® Consumer Relations to obtain a new beginner base bumper ring.
- Using a Phillips screwdriver, loosen and remove the screws in the beginner base bumper ring.
- Remove and discard the worn beginner base bumper ring.
- Replace the beginner base bumper ring with a new, Fisher-Price® bumper ring.
- Replace the eight screws through the bumper ring and tighten with a Phillips screwdriver. Do not over-tighten.

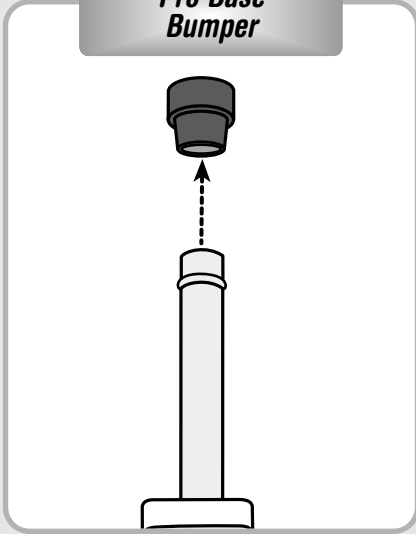
Beginner Base Center Bumper



- Call Fisher-Price® Consumer Relations to obtain a new beginner base center bumper.
- Using a Phillips screwdriver, loosen and remove the screws in the beginner base center bumper.
- Remove and discard the worn beginner base center bumper.
- Replace the beginner base center bumper with a new, Fisher-Price® center bumper.
- Replace the four screws through the center bumper and tighten with a Phillips screwdriver. Do not over-tighten.

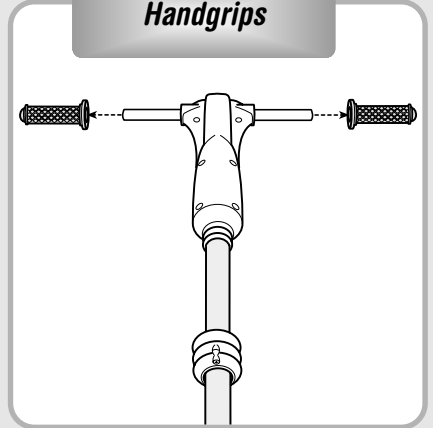
Replacing Parts

Pro Base Bumper



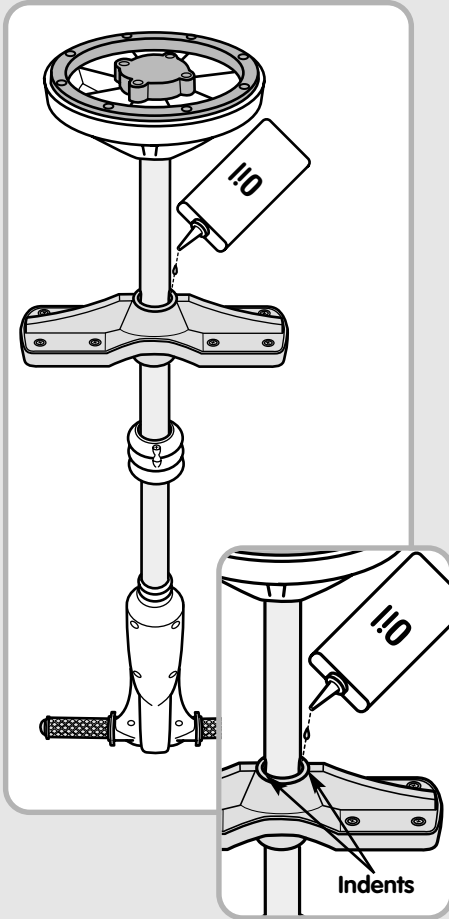
- Call Fisher-Price® Consumer Relations to obtain a new pro base bumper.
- Simply pull to remove the pro base bumper from the stick. Throw away the worn pro base bumper.
- Push to fit the new, Fisher-Price® pro base bumper onto the bottom of the stick.

Handgrips



- Call Fisher-Price® Consumer Relations to obtain new handgrips.
- Simply pull to remove the handgrips from the handlebar. Throw away the worn handgrips.
- Push to fit the new, Fisher-Price® handgrips onto the handlebar.

Care



- Your pogo stick has been lubricated at the factory. We do, however, recommend that you periodically lubricate the pogo stick for proper function.
- Turn the pogo stick upside down. Apply a few drops of oil into the indents in the footpegs, as shown.
- Check the plastic parts regularly and if broken or cracked, dispose of them properly. Please call Fisher-Price® Consumer Relations to see if the part is replaceable.
- To clean the base, footpegs and handlebar, use a mild soap and water solution and clean cloth. Rinse clean with water to remove soap residue.
- Do not wash the stick portion of this toy.