

# **POWER WHEELS** by Fisher-Price®



Product features may vary from the picture above.

Ford, F-150 and associated trademarks used under license from Ford Motor Company.  
FIRESTONE is a registered trademark of Bridgestone/Firestone Research, Inc.  
Fisher Price, Power Wheels and Power Stick are U.S. trademarks of Mattel, Inc.



## **FlashBack4x4™**

### **Owner's Manual with Assembly Instructions**

Please read this manual and save it with your original sales receipt.

For Model 75547

Tools needed for assembly: Phillips Screwdriver, Slotted Screwdriver, Hammer, and Safety Scissors (tools not included).

Use only with a Power Wheels® 6 Volt Battery with A-Style Connector and Built-in Thermal Fuse  
and a Power Wheels® Super 6™ Volt Charger (both included).

# Table of Contents

A	Important Information	.2
B	Warnings and Cautions	.3
C	Parts	.4
D	Parts Diagram	.6
E	Battery Charging	.7
F	Assembly	.9
G	Label Decoration	.14
H	Battery Installation	.15
I	Battery Care and Disposal	.16
J	Rules for Safe Driving	.17
K	How to Operate Your Vehicle	.18
L	Caring for Your Vehicle	.19
M	Statement of Limited Warranty	.19
N	Problems and Solutions Guide	.20
O	Authorized Service Centers	.23

## A

## Important Information

- Your new vehicle requires adult assembly. Please set aside at least 45 minutes for assembly.
- You must charge your battery for 18 - 30 hours **before you use your vehicle for the first time.** We recommend that you start charging your battery before beginning assembly. Please see Battery Charging beginning on page 7 for detailed instructions.
- Read this manual carefully for important safety information and operating instructions before using your vehicle.
- This vehicle is designed for use on grass, asphalt or other hard surfaces; on generally level terrain; by children 3 - 6 years of age.
- Make sure children know and follow these rules for safe driving and riding:
  - always sit in the seat.
  - always wear shoes.
  - only one (1) rider at a time.
- This vehicle has an adjustable play seat belt. Please note that the adjustable seat belt is designed to be a play feature only and does not function as a protective safety restraint.
- To prevent damaging the motors and gears, do not tow anything behind the vehicle or overload it. Do not exceed the maximum weight capacity of 65 lb. (30 kg).
- If you have any questions about your Power Wheels® vehicle, please call our toll-free service lines at **1-800-348-0751** from 8 AM to 6 PM (EST) Monday through Friday. Trained customer service representatives are available to take your call in English or French. Habla Español? Si usted tiene alguna pregunta ó necesita asistencia llame gratis **1-800-348-0755** para los Estados Unidos. Tenemos representantes que hablan español para atender su llamada.
- For your convenience, Power Wheels® maintains an Authorized Service Center Network with more than 400 authorized service centers nationwide. Our authorized service centers will repair or replace parts under warranty at no extra charge, and can perform non-warranty repairs for a minimal charge. Please see the Authorized Service Center list beginning on page 24 to find the authorized service center nearest you, or call 1-800-348-0751.
- Please complete and return the enclosed Registration Card today, or call **1-800-348-0751** to register your vehicle by phone.

# B

## Warnings and Cautions

### ELECTRICAL HAZARD

#### WARNING

- Battery can fall out and injure a child if vehicle tips over. Always use battery clamp.
- **PREVENT FIRE**
  - Never modify the electrical system. Alterations could cause a fire resulting in serious injury and could also ruin the electrical system.
  - Use of the wrong type battery or charger could cause a fire or explosion resulting in serious injury.
  - Use of Power Wheels® components in products other than Power Wheels® vehicles could cause overheating, fire or explosion.
- The battery must be handled by adults only. The battery is heavy and contains sulfuric acid (electrolyte). Dropping the battery could result in serious injury.
- Never allow children to charge the battery. Battery charging must be done by adults only. A child could be injured by the electricity involved in charging the battery.
- Never lift or carry the battery by the wires or connector. This can damage the battery and possibly cause a fire resulting in serious injury. Lift and carry the battery by the case only.
- Read the safety instructions on the battery.
- Examine the battery, charger and their connectors for excessive wear or damage each time you charge the battery. If damage or excessive wear is detected, do not use the charger or the battery until you have replaced the worn or damaged part.
- **HOT** motors. Handle carefully.

### RIDING HAZARD

#### WARNING

- **Prevent Injuries and Deaths**
  - Direct Adult Supervision Required
  - Keep Children Within Safe Riding Areas.  
These areas must be:
    - away from swimming pools and other bodies of water to prevent drownings
    - generally level to prevent tipovers
    - away from steps, driveways, roads and alleys.

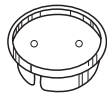
#### CAUTION

- In the unassembled state, this package contains small parts. Adult assembly is required.
- Use the charger in dry locations only.

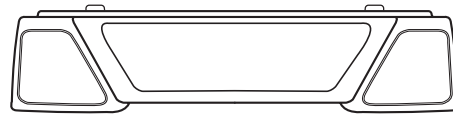
# C

## Parts

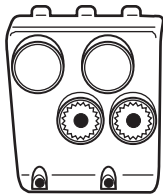
- If you experience a problem with this product or are missing a part, please call us at **1-800-348-0751** rather than return this product to the store.
- Please identify all parts before assembly and save all packaging material until assembly is complete to ensure that no parts are discarded.
- Metal parts have been coated with a lubricant to protect them during shipment. Wipe all metal parts with a paper towel to remove any excess lubricant.



Steering Wheel Cap



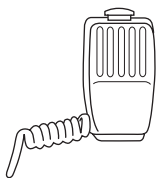
Grille



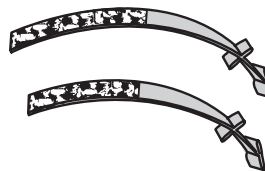
Dash Cover



6 Volt Battery



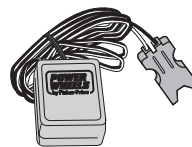
Microphone



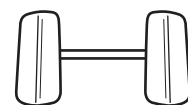
Seat Belt Strap - 2



Battery Clamp

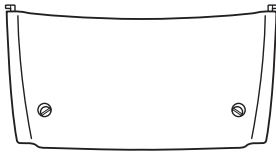


Super 6™ Volt Charger

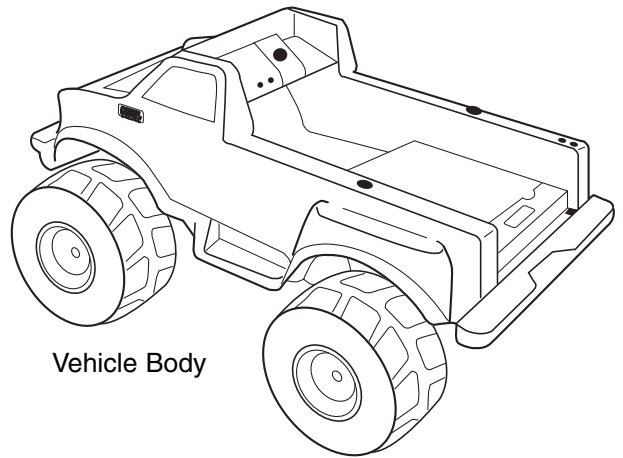


(Left) (Right)  
Taillight Lens Set

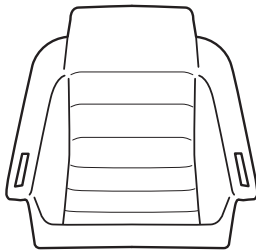
# Parts



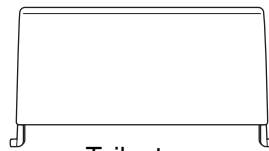
Hood



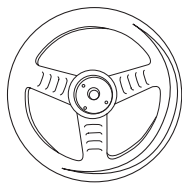
Vehicle Body



Seat



Tailgate



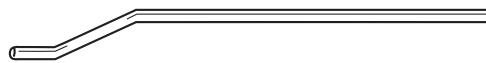
Steering Wheel



Knob



Key



Steering Column



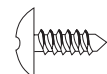
#8 x 1" Screw – 12



#6 x 1/2" Screw – 2



.354 Cap Nut – 3\*



#6 x 3/8" Screw – 2

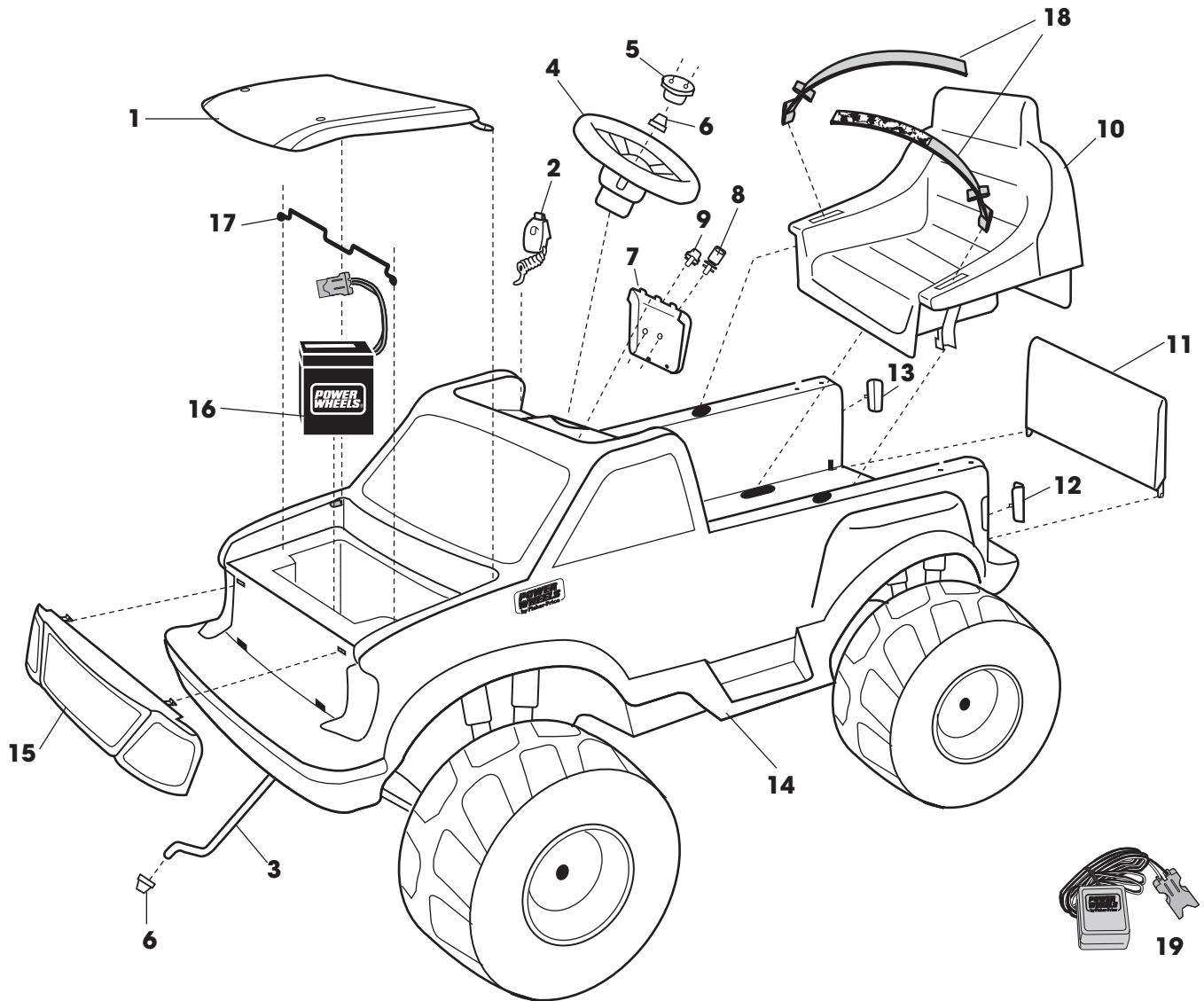
**All Shown Actual Size**

\*For your convenience, an extra .354 cap nut has been included.

**Not Shown:** Label Sheet

# D

## Parts Diagram



### Parts

1	Hood	9	Knob	17	Battery Clamp
2	Microphone	10	Seat	18	Seat Belt Straps - 2
3	Steering Column	11	Tailgate	19	Super 6™ Volt Charger
4	Steering Wheel	12	Left Taillight		
5	Steering Wheel Cap	13	Right Taillight		
6	Cap Nut - 2	14	Vehicle Body		
7	Dash Cover	15	Grille		
8	Key	16	6 Volt Battery		

Part Not Shown: Label Sheet

# E

## Battery Charging

### ELECTRICAL HAZARD

#### WARNING

- Battery can fall out and injure a child if vehicle tips over. Always use battery clamp.
- **PREVENT FIRE**
  - Never modify the electrical system. Alterations could cause a fire resulting in serious injury and could also ruin the electrical system.
  - Use of the wrong type battery or charger could cause a fire or explosion resulting in serious injury.
  - Use of Power Wheels® components in products other than Power Wheels® vehicles could cause overheating, fire or explosion.
- The battery must be handled by adults only. The battery is heavy and contains sulfuric acid (electrolyte). Dropping the battery could result in serious injury.
- Never allow children to charge the battery. Battery charging must be done by adults only. A child could be injured by the electricity involved in charging the battery.
- Never lift or carry the battery by the wires or connector. This can damage the battery and possibly cause a fire resulting in serious injury. Lift and carry the battery by the case only.
- Read the safety instructions on the battery.
- Examine the battery, charger and their connectors for excessive wear or damage each time you charge the battery. If damage or excessive wear is detected, do not use the charger or the battery until you have replaced the worn or damaged part.

#### CAUTION

Use the charger in dry locations only.

### Important Notes

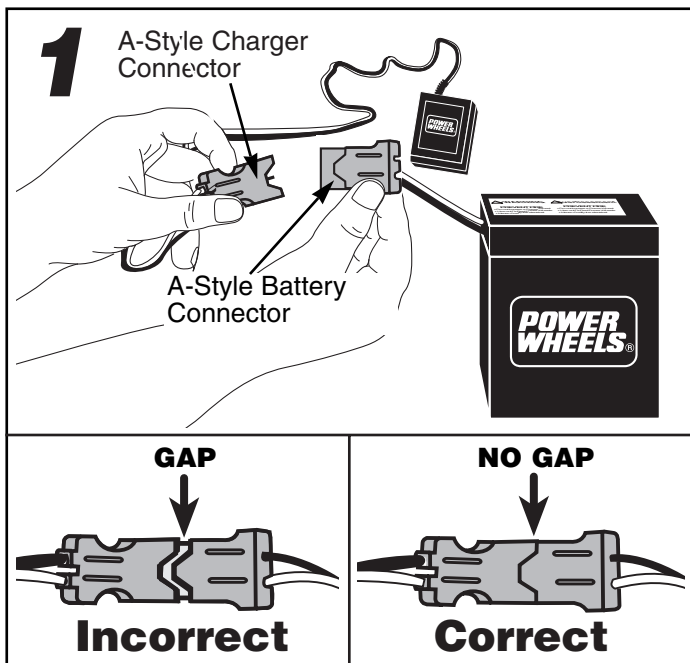
- **Your new battery must be charged for at least 18 hours before you use it in your vehicle for the first time.**
- We recommend that you start charging your battery before beginning assembly of your vehicle.
- The battery must be upright while charging.
- The charger is not a toy.
- Do not short circuit the battery.
- You do not need to remove the battery from the vehicle to recharge it.
- Before charging the battery, examine the battery case for cracks and other damage which may cause sulfuric acid (electrolyte) to leak during the charging process. If damage is detected, do not charge the battery or use it in your vehicle. Battery acid is very corrosive and can cause severe damage to surfaces it contacts. Take precautions to protect the surface on which you charge the battery.
- Use only a Power Wheels Super 6 Volt charger with an A-style connector (120VAC 60 Hz 15W with an output of 6VDC 7.2W) to charge your 6 volt battery.

### About Thermal Fuses

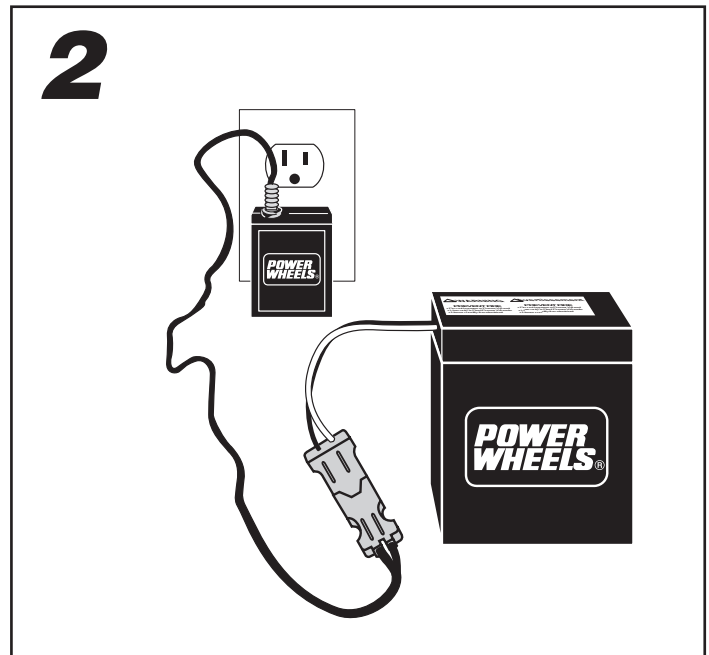
Your Power Wheels® battery is equipped with a built-in thermal fuse. The thermal fuse is a self-resetting safety device which automatically “trips” and shuts down operation of the vehicle if the vehicle is overloaded or the driving conditions too severe. Once the fuse has “tripped”, it will automatically reset itself after approximately 25 seconds and allow the vehicle to resume normal operation. To avoid repeated automatic shutdowns, do not overload the vehicle by exceeding the 65 lb. maximum weight capacity or by towing anything behind the vehicle. Avoid severe driving conditions, such as driving up very steep hills or running into fixed objects, which can cause the wheels to stop spinning while power is still being supplied to the motors.

If under normal use conditions the thermal fuse continually trips, contact your local Power Wheels® Authorized Service Center. Please refer to the Authorized Service Center listing beginning on page 23 for the location of the Authorized Service Center nearest to you.

# Battery Charging



- Plug the charger and battery connectors together. Push firmly to make sure the two connectors are completely joined.



- Plug the charger into a standard 120 volt wall outlet.  
**Note:** If power flow to the wall outlet is controlled by a switch, make sure the switch is "ON".
- **Before first time use, charge the battery for at least 18 hours.** Never charge the battery longer than 30 hours.
- **Recharge the battery for at least 14 hours** after each use of your vehicle. Do not charge the battery longer than 30 hours.
- Once the battery is charged, disconnect the charger connector from the battery connector. Unplug the charger from the wall outlet. The battery is now charged and is ready to be installed in your vehicle. Please see "Battery Installation" on page 15 for detailed battery installation instructions.



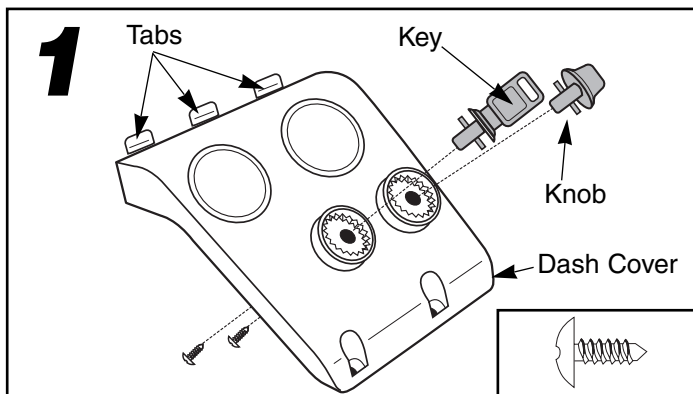
# F

## Assembly

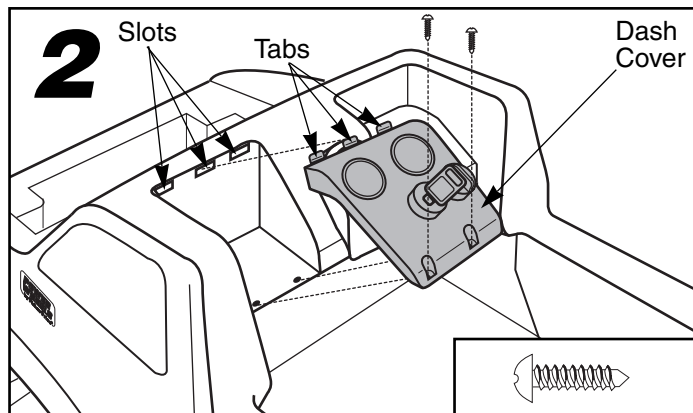
Do Not Omit Any Steps

### ⚠ WARNING

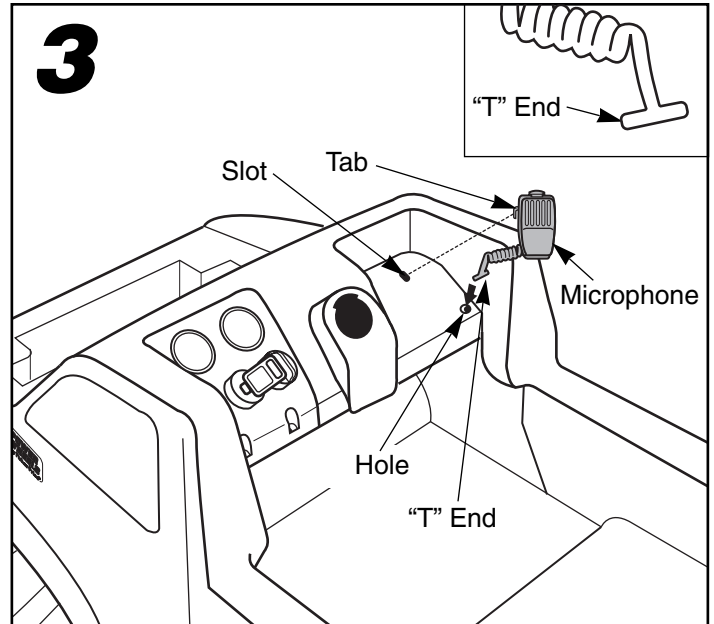
Children can be harmed by small parts, sharp edges and sharp points in the vehicle's unassembled state, or by electrical items. Care should be taken in unpacking and assembly of the vehicle. Children should not handle parts, including the battery, or help in assembly of the vehicle.



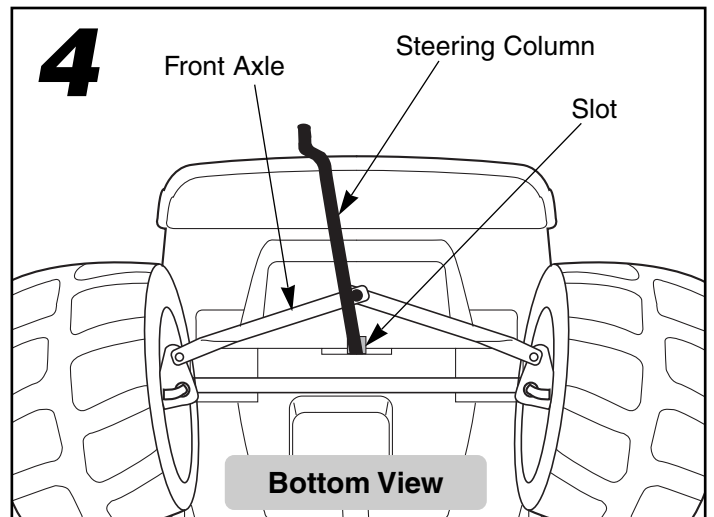
- Position the dash cover as shown. Make sure the three tabs are at the top.
- Fit the knob into the hole in the right side of the dash cover.
- Fit the key into the hole to the left of the knob.
- Insert a #6 x  $\frac{3}{8}$ " screw into the back of the knob and into the back of the key.
- Tighten the screws with a Phillips screwdriver. Do not over-tighten.



- Insert the tabs on the top of the dash cover into the slots in the dash.
- Lower the bottom of the dash cover.
- Insert two #6 x  $\frac{1}{2}$ " screws through the dash cover and into the dash.
- Tighten the screws with a Phillips screwdriver. Do not over-tighten.



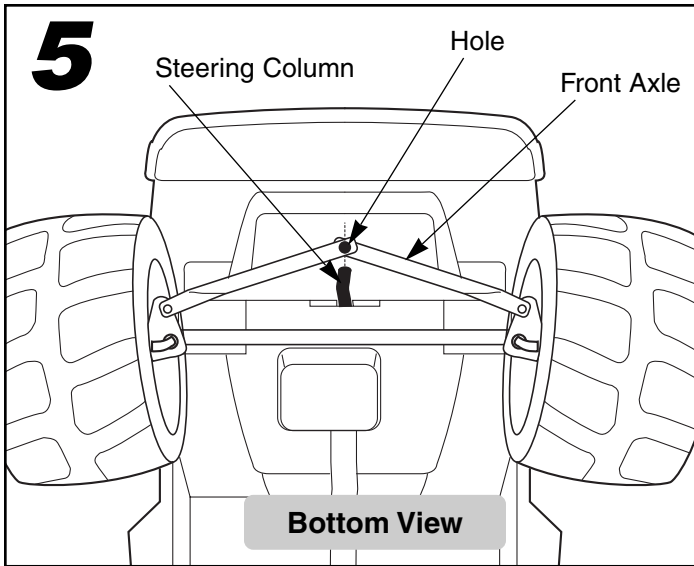
- Insert the end of the microphone cord through the hole in the right side of the dash.
- From the underside of the vehicle, bend the end of the microphone cord so that it forms a "T" under the dash.
- Gently pull on the microphone cord to make sure it is secure in the dash.
- Fit the tab on the back of the microphone into the slot in the dash to secure the microphone.



**Hint:** You may want the help of another person to complete assembly steps 4 through 7.

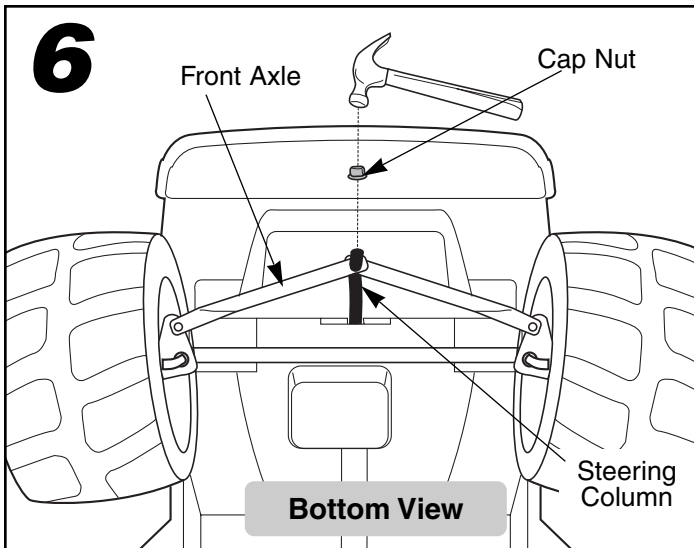
- Wipe the steering column with a paper towel to remove any excess lubricant.
- Carefully lift the front end of the vehicle.
- Insert the straight end of the steering column **under** the front axle, through the slot in the vehicle body and out through the large hole in the center of the dash.

# Assembly

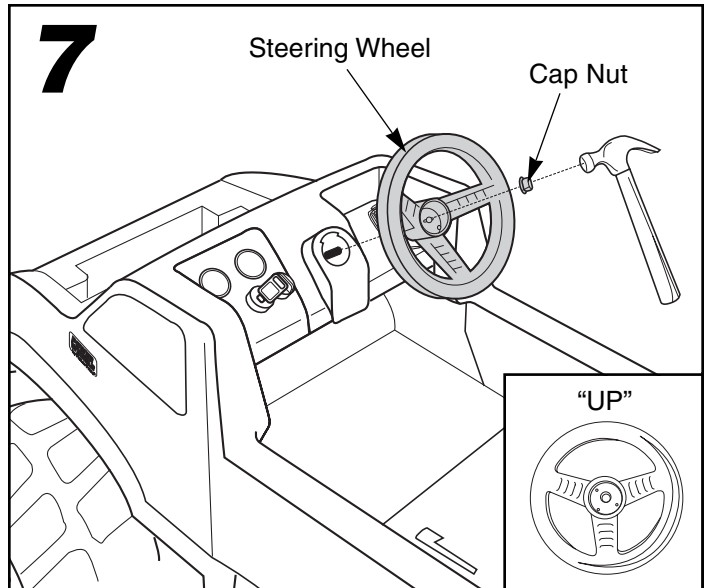


- Fit the curved end of the steering column into the hole in the front axle.

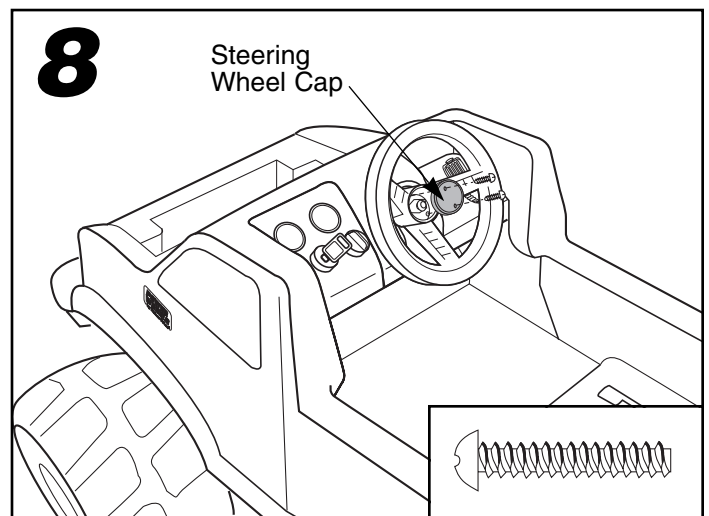
**Note:** You may need to straighten the vehicle tires and rotate the steering column to fit it into the hole in the front axle.



- Fit a cap nut onto the end of the steering column.
- While supporting the steering column, tap the cap nut with a hammer to secure it on the steering column.

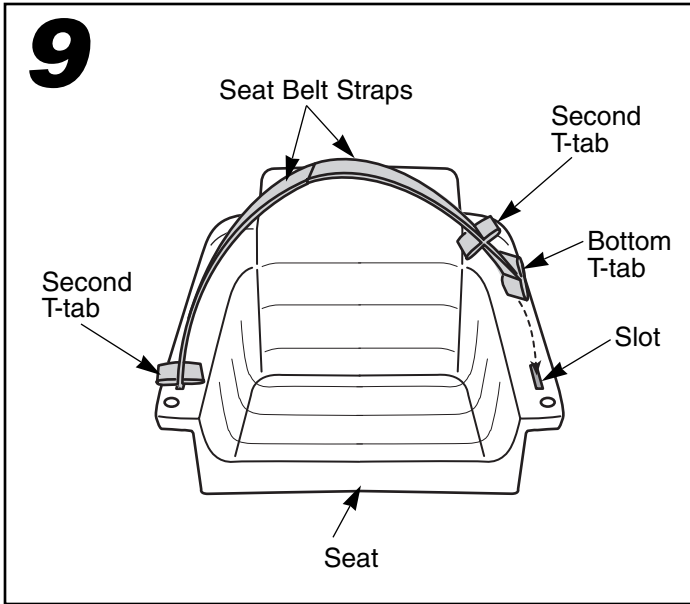


- Hold the steering column in place and gently lower the vehicle body.
- Position the steering wheel so that the spokes form a “Y” as shown.
- While supporting the steering column, fit the steering wheel onto the steering column.
- Fit a cap nut onto the end of the steering column.
- Tap the cap nut with a hammer to secure it on the steering column.

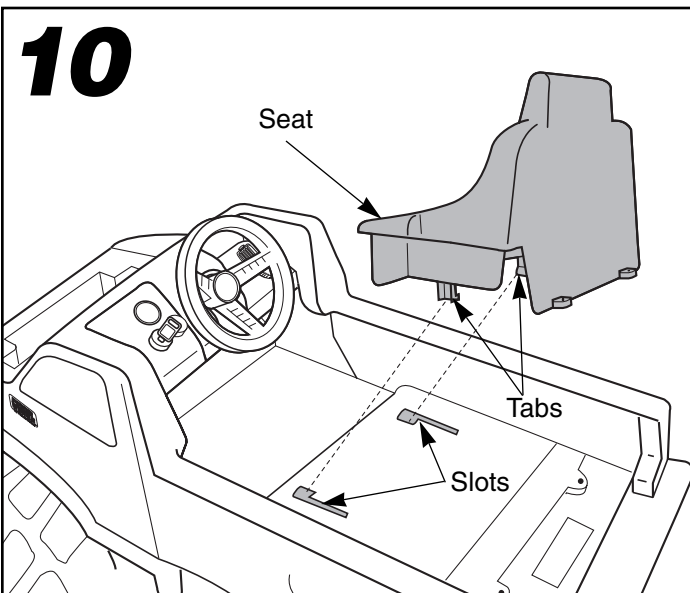


- Align the slot on the steering wheel cap with the tab in the center of the steering wheel.
- Fit the steering wheel cap into the center of the steering wheel.
- Insert two #8 x 1" screws into the steering wheel cap.
- Tighten the screws with a Phillips screwdriver. Do not over-tighten.

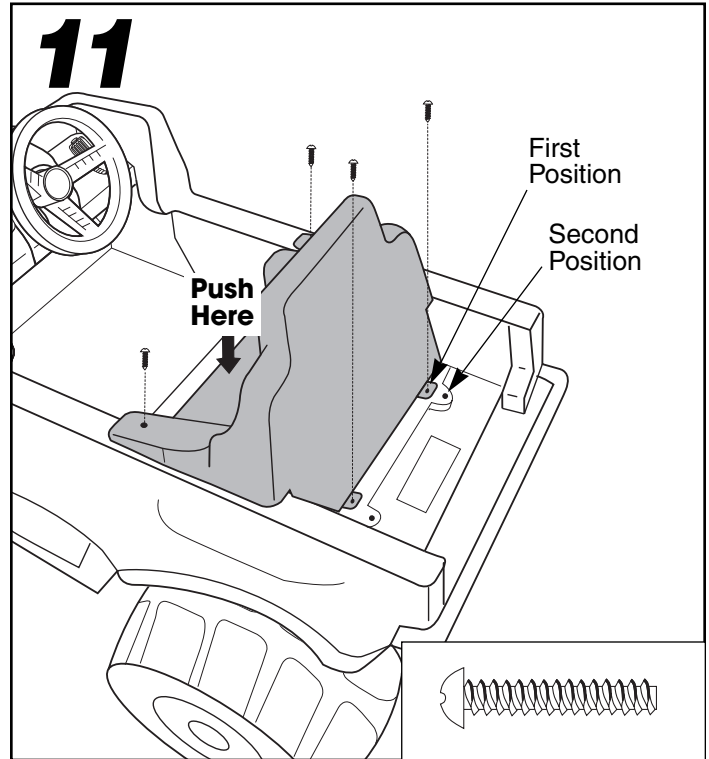
# Assembly



- Make sure the two seat belt straps are fastened together. If they are not fastened together, connect the fasteners to form one seat belt.
- Insert the T-tab at one end of the seat belt through the slot in one arm of the seat. **Do not pull the second T-tab through the slot.**
- Repeat this procedure to secure the other end of the seat belt in the seat.
- Pull up on the seat belt to make sure it is securely attached to the seat.



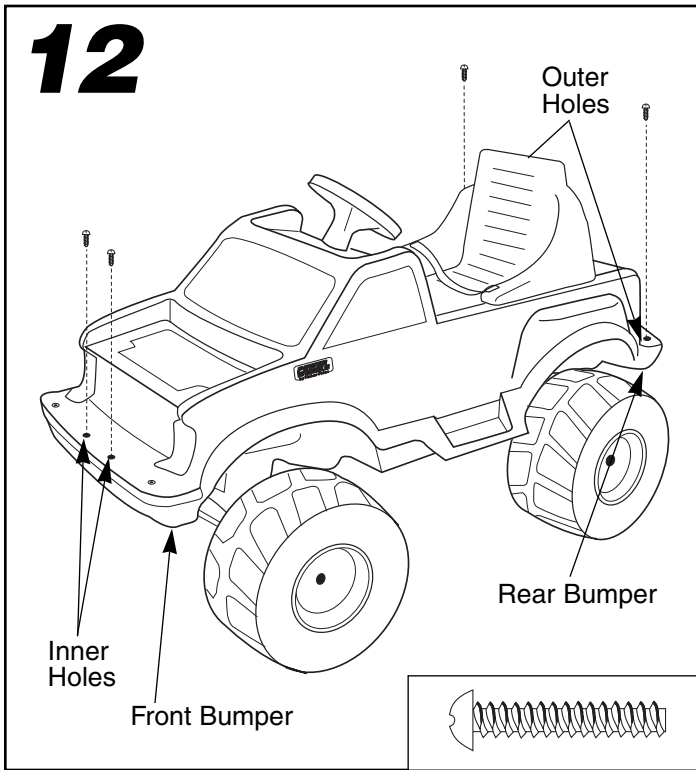
- Insert the two tabs on the bottom of the seat into the slots in the vehicle body.



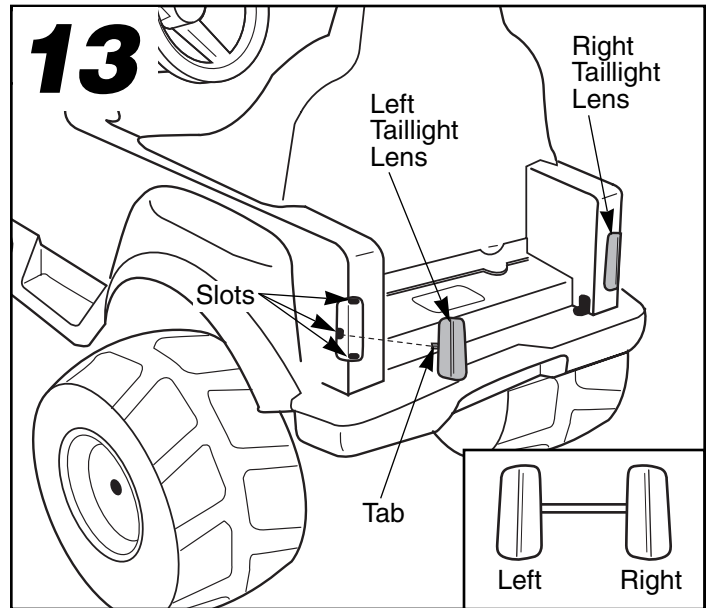
**Note:** The seat can be assembled in either of two positions for your child's comfort.

- Push down on the center of the seat and slide it toward the rear of the vehicle.
- Align the screw holes in the back of the seat with the first or second set of holes in the vehicle body.
- Check your child's fit in the vehicle by observing foot to pedal distance and adjust the position of the seat, if necessary.
- Insert two #8 x 1" screws through the holes in the back of the seat and into the holes in the vehicle body, as shown.
- Insert two #8 x 1" screws through the holes in the armrests and into the vehicle body, as shown.
- Tighten the screws with a Phillips screwdriver. Do not over-tighten.

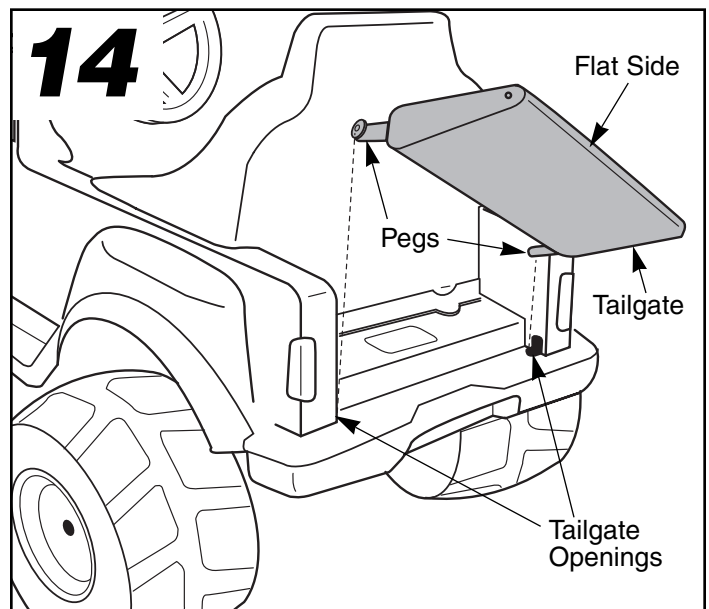
# Assembly



- Insert a #8 x 1" screw into each of the two **inner** screw holes in the top of the **front bumper**.
- Tighten the screws with a Phillips screwdriver. Do not over-tighten.
- Insert a #8 x 1" screw into each of the two **outer** screw holes in the top of the **rear bumper**.
- Tighten the screws with a Phillips screwdriver. Do not over-tighten.

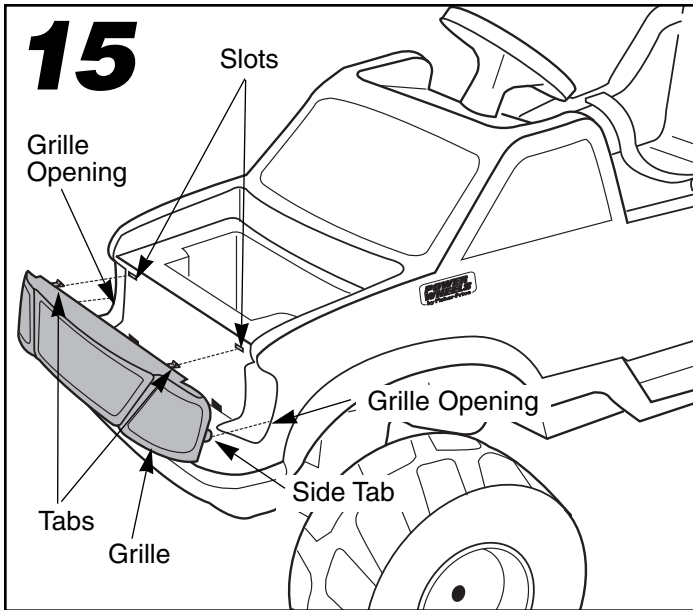


- Using safety scissors, remove the taillight lenses from the plastic connector. Dispose of the plastic connector.
  - Face the rear of the vehicle.
  - Insert the tabs on the back of the right and left taillight lenses into the taillight slots in the vehicle body.
- Note:** The left and right taillight lenses are NOT interchangeable.
- Press firmly to snap the tabs into the slots.

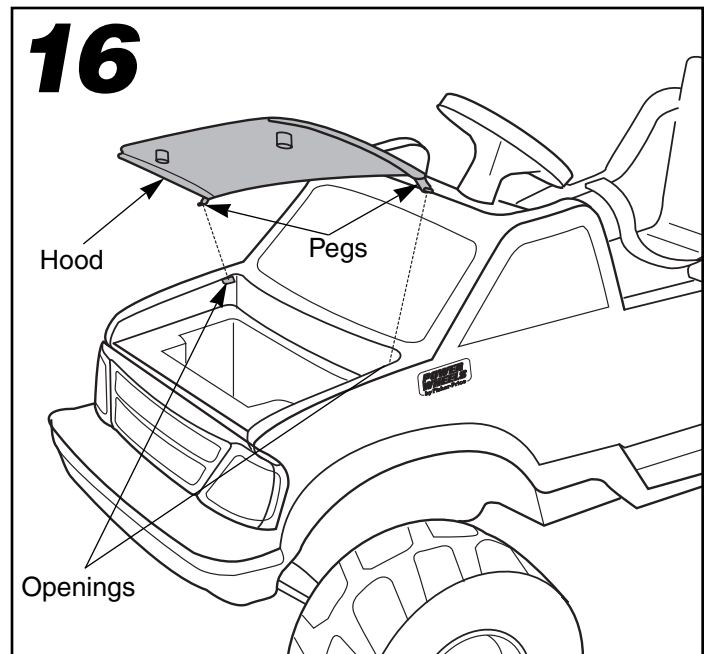


- Position the tailgate with the flat side facing up.
- Fit the peg on one side of the tailgate into the tailgate opening in the rear of the vehicle body.
- Slide the peg on the other side of the tailgate into the tailgate opening in the other side of the vehicle body.
- Lift the tailgate and press firmly to snap it closed.

## Assembly



- Face the front of the vehicle.
- Insert the two tabs at the top of the grille into the slots in the front of the vehicle body.
- Press firmly to snap the tabs into the slots.
- **Fit the two side tabs on the grille into the grille openings in the front of the vehicle body.**
- Press firmly at the bottom of the grille to snap the two tabs at the bottom of the grille into the vehicle body.



**Note:** If you have already charged your Power Wheels® battery for at least 18 hours, you may want to install it in the battery compartment before assembling the hood. Please refer to the Battery Installation section on page 15 for instructions.

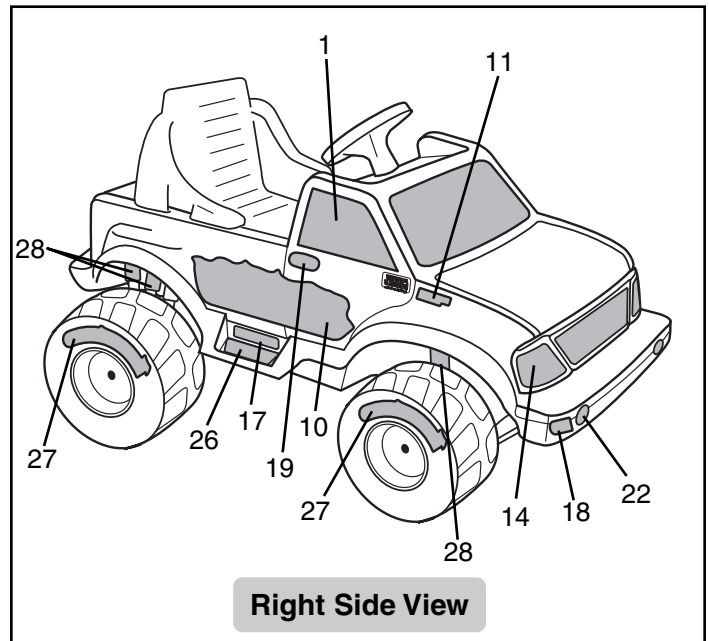
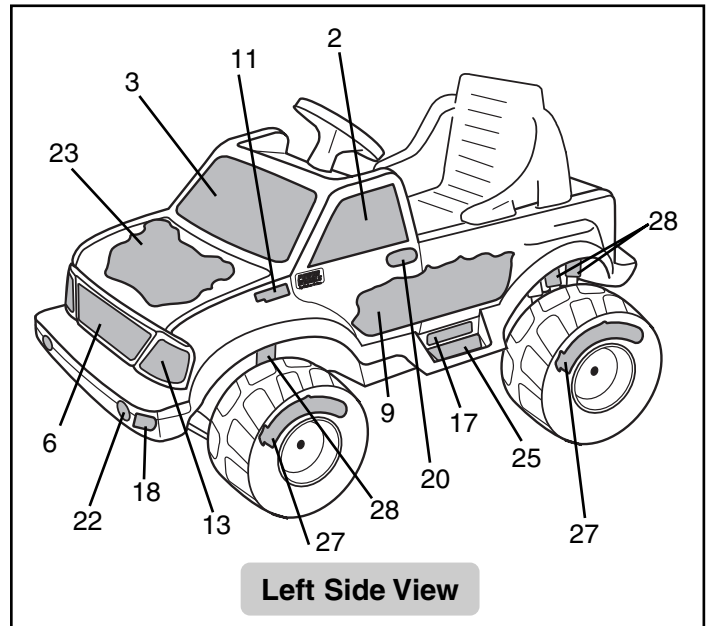
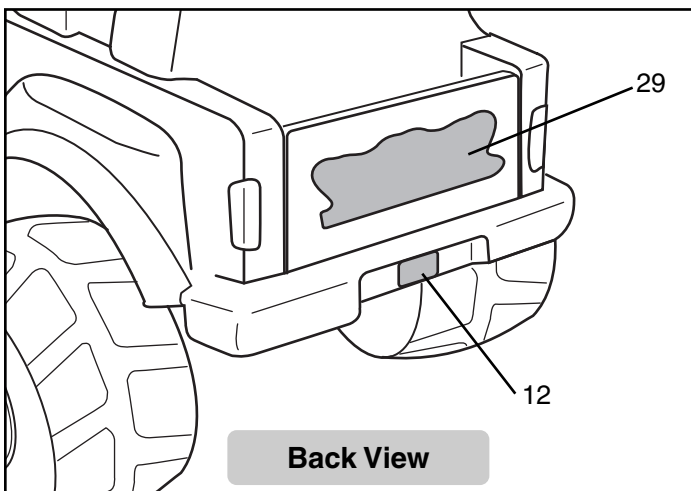
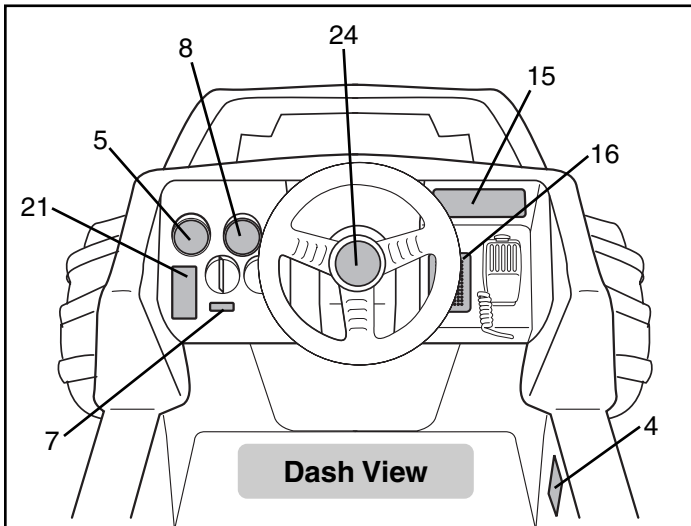
- Fit the peg on one side of the hood into one of the hood openings near the base of the windshield area.
- Gently bend the hood to insert the peg on the other side of the hood into the opening on the other side of the vehicle body.
- Lower the hood.

# G

## Label Decoration

Proper label application will help to keep the labels looking their best! When applying labels, keep the following guidelines in mind:

- Wash your hands before applying the labels.
- Before applying the labels, wipe the surface of the vehicle with a clean, dry cloth to remove any dust or oils.
- Place the labels exactly as shown in the illustrations.
- For best results, avoid repositioning a label once it has been applied to the vehicle.
- **After applying a label, rub the label firmly with a clean, dry cloth to make sure the label is adhered to your vehicle. Start at the center of a label, and smooth towards the outer edges to remove air bubbles.**



**One-time assembly is now complete.**

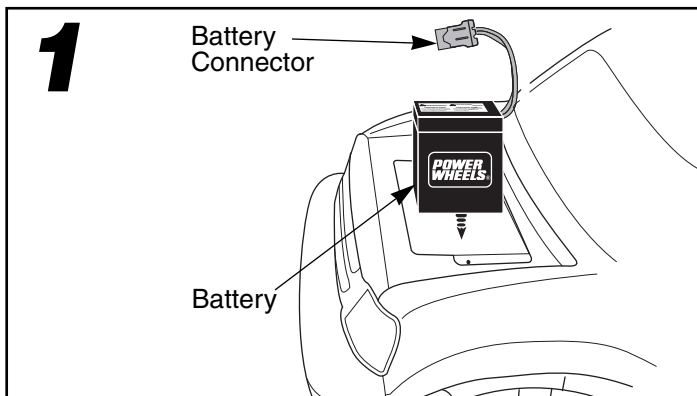
**IMPORTANT!** Please carefully read the owner's information in this manual and teach your child about proper vehicle operation and rules for safe driving before allowing operation of this vehicle.

# H

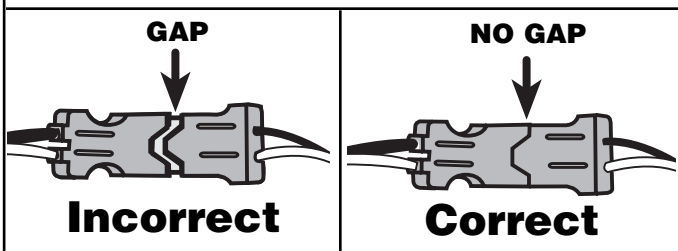
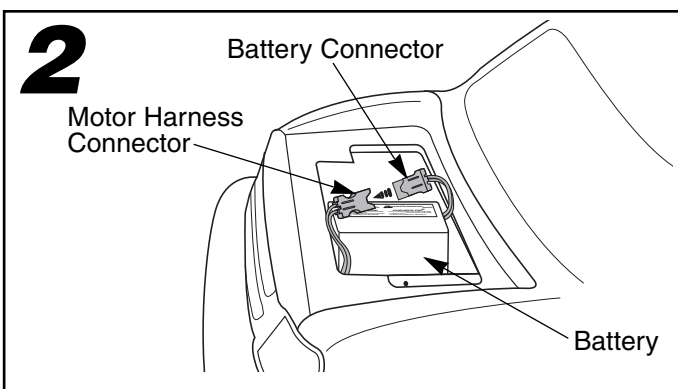
## Battery Installation

**IMPORTANT!** Use only a Power Wheels® 6 volt battery with A-style connector and built-in thermal fuse. Use of any other battery can damage your vehicle. Make sure that you charge the battery for at least 18 hours using the enclosed Power Wheels® Super 6™ volt charger before operating your vehicle for the first time. Charge the battery for at least 14 hours after each use of the vehicle. Never charge the battery longer than 30 hours. Failure to follow these instructions may damage your battery and will void your warranty.

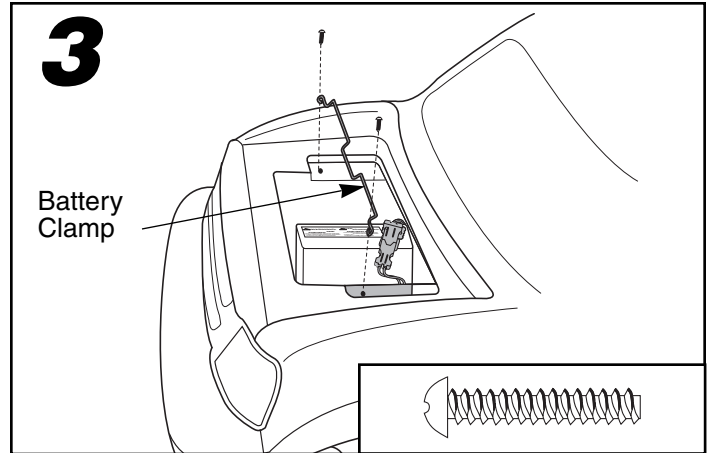
It is easier to install the battery before assembling the hood to your vehicle. If you have already assembled the hood to your vehicle, you may want to remove it to install the battery.



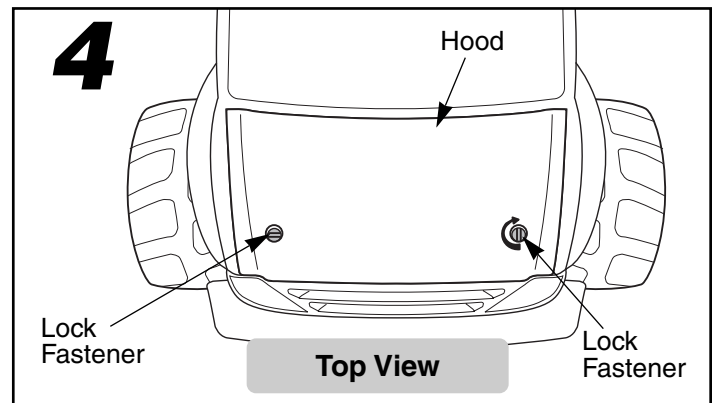
- The battery compartment is located under the hood of your vehicle.
- Place the battery upright in the battery compartment. Make sure the bottom of the battery is flat on the bottom of the battery compartment and that the battery connector extends toward the rear of the vehicle.



- Plug the battery and motor harness connectors together. Push firmly to make sure the two connectors are completely joined.



- Position the battery clamp over the battery with the ends of the battery clamp aligned with the screw holes in the battery compartment.
- Insert two #8 x 1" screws through the battery clamp and into the battery compartment.
- Tighten the screws with a Phillips screwdriver. Do not over-tighten.
- Place the connectors toward the rear of the battery compartment, on top of the battery as shown.



- Re-assemble the hood to the vehicle if you have removed it to install your battery.
- Lower the hood.
- Face the front of the vehicle.
- Using a slotted screwdriver, rotate the lock-fasteners in the hood so that they are horizontal ⊖.
- Press down on the hood so that the lock fastener tabs on the underside of the hood fit into the lock fastener slots under the hood in the battery compartment.
- Rotate the lock fasteners clockwise 90° (¼ turn) using a slotted screwdriver to lock the hood and prevent children from accessing the battery ⊕.
- Lift up on the hood to make sure it is securely fastened.

## Care

**If a battery leak develops**, avoid contact with the leaking acid and place the damaged battery in a plastic bag. See information below for proper disposal.

**If acid comes in contact with skin or eyes**, flush with cool water for at least 15 minutes and call a physician.

**If acid is internally ingested**, give water, milk of magnesia or egg whites immediately. Never give emetics or induce vomiting. Call a physician.

- Charge a new battery for at least 18 hours before first use. Never charge the battery longer than 30 hours. Overcharging or undercharging the battery may shorten battery life and decrease vehicle running time.
- After the first charge, recharge the battery for at least 14 hours after each use. Never charge the battery longer than 30 hours. Charge the battery after each use, regardless of how long the vehicle was used.
- The battery must be upright while charging.
- Do not allow the battery to run down completely before charging.
- Charge the battery before storing the vehicle.
- Charge the battery at least once per month, even if the vehicle has not been used.
- Leaving the battery in a discharged condition will ruin it.
- Always remove an exhausted battery from the vehicle. Battery leakage and corrosion can damage the vehicle.
- Do not store the battery in temperatures above 75° F or below -10° F.
- Prevent the battery from moving freely inside the battery compartment. Always use the battery retainer to secure the battery in the battery compartment.
- Examine the battery, charger and its connector for excessive wear or damage each time you charge the battery. If damage is detected, do not use the charger or the battery until you have replaced the worn or damaged part.

## Disposal



- Your Power Wheels® battery is a sealed lead-acid battery. It must be recycled or disposed of in an environmentally sound manner.
- Do not dispose of a lead-acid battery in your regular, household trash. The incineration, landfilling or mixing of sealed lead-acid batteries with household trash is prohibited by law in most areas.
- Return exhausted batteries to a federal or state approved lead-acid battery recycler, such as a Power Wheels® authorized service center, or a local seller of automotive batteries. For the authorized service center location nearest to you, please call 1-800-348-0751. Contact your local waste management officials for other information regarding the environmentally sound collection, recycling and disposal of lead-acid batteries. If you live in the State of Florida or the State of Minnesota, it is prohibited by law for anyone to throw away lead-acid batteries in the municipal waste stream.



# J

## Rules for Safe Driving

### RIDING HAZARD



#### WARNING

##### Prevent Injuries and Deaths

- Direct Adult Supervision Required
- Keep Children Within Safe Riding Areas

These areas must be:

- away from swimming pools and other bodies of water to prevent drownings
- generally level to prevent tipovers
- away from steps, driveways, roads and alleys.

### Teach Safety Rules to Children

While children can quickly develop the skill necessary to drive this vehicle, it is important to remember that their judgment skills are still very immature. Unsupervised driving by children can lead to serious injury. Before children use this vehicle, an adult should carefully evaluate the driving area as well as the children's skill level and ability to drive this vehicle safely. Children are not always able to recognize or anticipate hazards, even when they have been taught about them. **There is no acceptable substitute for direct adult supervision.**

Teach appropriate safety rules to your child before allowing operation of this vehicle. These rules should also be reviewed with neighborhood children or other playmates who want to drive this vehicle.

### Riding Rules

**Make sure children know and follow these rules for safe driving:**

1. Always sit on the seat.
2. Always wear shoes.
3. Only 1 (one) rider at a time. Children that are not sitting on the seat or are standing on the vehicle could fall off, cause a tip-over or block the driver's view. Children could be seriously injured.
4. Do not allow any child to drive the vehicle in the street or near moving (motorized) vehicles.
5. Do not allow any child to drive near bodies of water (such as pools or creeks), obstructions (such as furniture, low tree limbs or play equipment), or drop-offs (such as stairs or decks).
6. Do not allow any child to drive the vehicle in the dark. A child could encounter unexpected obstacles and have an accident. Operate the vehicle only in the daytime or a well-lit area.



**Use vehicle on generally level ground ONLY!**

7. Do not allow your child to drive on sloped or inclined surfaces. **Restrict your child's driving to generally level ground ONLY!**
8. Do not allow your child to drive down or across a steep slope.
  - The vehicle may gain unsafe speed, even if the pedal is released to stop.
  - The vehicle may tilt and tip over.
  - The wheels could lose traction, causing the vehicle to slip.
9. Do not allow your child to drive up steep inclines. The motor may stop and the vehicle could roll backwards at an unsafe speed.
10. Never put anything near any moving parts. Rotating parts such as motors, gear boxes and wheels can snag fingers, hair, etc., causing serious injury. Do not allow operation of the vehicle when it is on its side or in an upside-down position.
11. Do not operate the vehicle near flammable vapors (gasoline, paint thinner, acetone, liquid wax, etc.). The vehicle's electrical switches, like most electrical switches, emit an internal spark when first turned on or turned off. The presence of flammable liquids or vapors could cause an explosion or a fire. Keep all flammable products in tightly sealed containers and away from the vehicle.
12. Do not allow a child to operate the vehicle without direct adult supervision. To prevent unsupervised use of the vehicle, disconnect the motor harness from the battery when the vehicle is not in use.

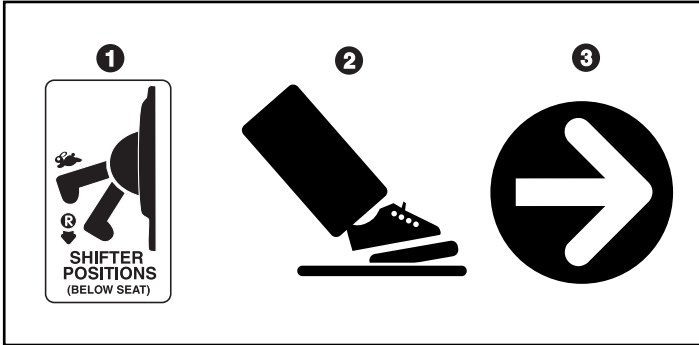
**To disconnect the motor harness connector and battery connector:**

  - Rotate the lock fasteners in the hood counter-clockwise 90° (1/4 turn) with a slotted screwdriver to unlock the hood ⊖ .
  - Raise the hood to access the battery.
  - Unplug the battery connector from the motor harness connector.
  - Lower the hood and rotate the lock fasteners clockwise 90° (1/4 turn) with a slotted screwdriver to lock the hood ⊕ .

# K

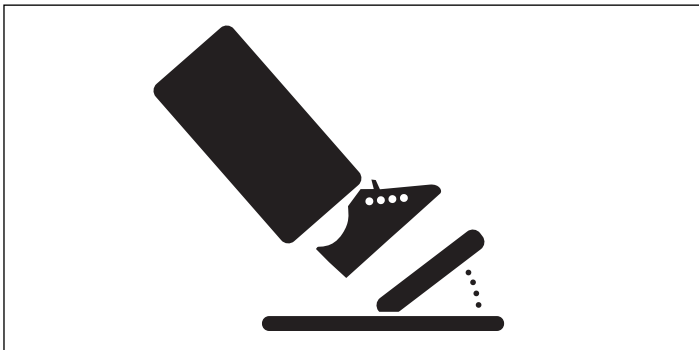
## How to Operate Your Vehicle

### To Drive



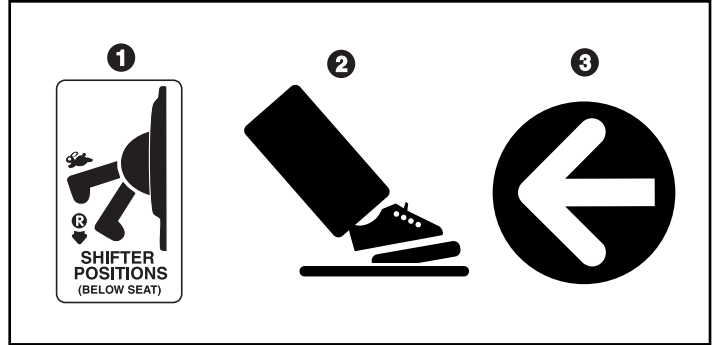
- Make sure the Power Stick™ shifter is in the forward position ①.
- Press down on the foot pedal ②. The vehicle goes forward at a maximum of 3½ mph ③.
- Help your child practice steering to learn how far and how quickly to turn the steering wheel when driving forward.

### To Stop



- Your vehicle has a patented, electronic braking system that automatically stops the vehicle when your child's foot is lifted from the pedal.
- Make sure your child is comfortable with steering the vehicle and automatically knows how to stop.

### To Back Up



**Note: To avoid damaging the motors and gears, stop the vehicle before shifting from forward to reverse ♡.**

- Once your child is completely comfortable with operating the vehicle in the forward mode, introduce reverse ♡.

### To Back Up

- Make sure the Power Stick™ shifter is in the reverse ♡ position ①.
- Press down on the foot pedal ②. The vehicle goes in reverse at a maximum of 3½ mph ③.
- Help your child practice steering to learn how far and how quickly to turn the steering wheel when driving in reverse.

# L

## Caring For Your Vehicle

- Check all screws, retainers and their protective coverings regularly and tighten as required. Check plastic parts on a regular basis for cracks or broken pieces.
- During snowy or rainy weather, the vehicle should be stored inside or under a protective cover. Remember to charge the battery at least once per month while your vehicle is not in regular use.
- Avoid operating the vehicle in wet or snowy conditions, and do not spray the vehicle with a hose. Do not wash the vehicle with soap and water. Water or moisture in the motor or electrical switches can cause them to corrode, and could cause switch or motor failure.
- Avoid operating the vehicle on sand, loose dirt or gravel. Sand, loose dirt or gravel in the motor or electrical switches can cause them to jam, and could cause switch or motor failure.
- The vehicle can be wiped down with a soft, dry cloth. For a shiny finish, you can wipe plastic parts with a non-wax furniture polish applied to a soft-cloth. Do not use automotive wax. Do not use soap and water or spray the vehicle with a hose.
- To ensure that your vehicle stays in good operating order, we recommend that you periodically have your vehicle checked by a Power Wheels® authorized service center. See page 23 for the list of authorized service centers or call **1-800-348-0751** for the location of the authorized service center nearest you.

# M

## Bumper-to-Bumper\* Limited Warranty

**\*One year limited warranty from date of purchase on Power Wheels® vehicle. Six month limited warranty on 6 volt battery.**

For the original purchaser, this one year limited warranty covers the Power Wheels® ride-on vehicle (purchased from Power Wheels®) against defects in materials and workmanship. The six month limited warranty applies only to the 6 volt battery included by Power Wheels® with the original purchase of the vehicle.

This warranty covers normal use and does not cover the Power Wheels® vehicle or battery if it has been damaged by unreasonable use, neglect, accident, abuse, misuse, improper service or other causes not arising out of defects in materials or workmanship. Evidence of any attempt at consumer repair will void this warranty. **THIS WARRANTY DOES NOT COVER, AND IS INTENDED TO EXCLUDE, ANY LIABILITY ON THE PART OF POWER WHEELS®, WHETHER UNDER THIS WARRANTY OR IMPLIED BY LAW, OR ANY INDIRECT OR CONSEQUENTIAL DAMAGES FOR BREACH OF WARRANTY. SOME STATES DO NOT ALLOW THE EXCLUSION OR LIMITATION, SO THIS LIMITATION MAY NOT APPLY TO YOU.**

Should you need service or assistance with your vehicle during the warranty period, **do not return this vehicle to the store.** Power Wheels® has provided a nationwide network of authorized service centers. Please refer to the list in this manual. Power Wheels® is continually expanding our Authorized Service Center Network. If there is not an authorized service center in your area, please call Consumer Affairs for information, **1-800-348-0751**.

This warranty gives you specific legal rights, and you may also have other rights which may vary from state to state.

**Please save your original sales receipt.**

# N

## Problems and Solutions Guide

**IMPORTANT!** If you experience a problem with your vehicle, first check the Problems and Solutions Guide below. If you still experience a problem, please contact Power Wheels® Consumer Relations, toll-free at **1-800-348-0751** between 8 AM and 6 PM (EST) Monday through Friday. Or, contact your local Power Wheels® authorized service center. For the location nearest you, please refer to the Authorized Service Center list beginning on page 23.

Problem	Possible Cause	Solution
Vehicle does not run	Undercharged battery	Charge the battery. A new battery should have been charged for at least 18 hours before using the vehicle for the first time. After first-time use, recharge the battery for at least 14 hours after each use. Never charge the battery longer than 30 hours.
		Check all connectors. Make sure the battery connector is tightly plugged into the charger connector, and that the charger is plugged into the wall.
		Make sure power flow to the wall outlet is "ON".
	Charger is not working	There is no sure way to tell if your charger is working unless you have a volt meter. If you suspect there is a problem with your charger, contact your local Power Wheels® authorized service center. They can test your charger for you.
	Tripped thermal fuse in battery	The built-in thermal fuse may "trip" and shut down operation of the vehicle if the vehicle is overloaded or the driving conditions too severe. The fuse will automatically reset itself after approximately 25 seconds allowing the vehicle to resume normal operation. To avoid repeated automatic shut downs, do not overload the vehicle by exceeding the 65 lb. maximum weight capacity or by towing anything behind the vehicle. Do not drive up very steep hills or run into fixed objects, which can cause the wheels to stop spinning while power is still being supplied to the motors. If the thermal fuse continually trips, contact your local Power Wheels® authorized service center.
	Loose wire or loose connectors	Check all wires and connectors. Make sure the battery connector is tightly plugged into the motor harness connector, and that there are no loose wires around the motor.
	Dead battery	If your battery is old or if you have not followed Battery Care instructions, your battery may be dead. If you are unsure whether or not the battery is dead, you can have it tested at your local Power Wheels® authorized service center.
	Electrical switch damage	The electrical switches can become corroded due to exposure to water or moisture, or can jam due to loose dirt, sand or gravel. Contact your local Power Wheels® authorized service center for diagnosis and repair.
Motor damage	Contact your local Power Wheels® authorized service center for diagnosis and repair.	

# Problems and Solutions Guide

Problem	Possible Cause	Solution
Vehicle was running but suddenly stopped	Loose wire or loose connectors	Check all wires and connectors. Make sure the battery connector is tightly plugged into the motor harness connector, and that there are no loose wires around the motor.
	Tripped thermal fuse	The built-in thermal fuse may “trip” and shut down operation of the vehicle if the vehicle is overloaded or the driving conditions too severe. The fuse will automatically reset itself after approximately 25 seconds allowing the vehicle to resume normal operation. To avoid repeated automatic shut downs, do not overload the vehicle by exceeding the 65 lb. maximum weight capacity or by towing anything behind the vehicle. Do not drive up very steep hills or run into fixed objects, which can cause the wheels to stop spinning while power is still being supplied to the motors. If the thermal fuse continually trips, contact your local Power Wheels® authorized service center.
Short run time (less than 1 - 3 hours per charge)	Undercharged battery	Charge the battery. A new battery should have been charged for at least 18 hours before using the vehicle for the first time. After first-time use, recharge the battery for at least 14 hours after each use. Never charge the battery longer than 30 hours.
		Check all wires and connectors. Make sure the battery connector is tightly plugged into the charger connector, and that the charger is plugged into the wall.
		Make sure power flow to the wall outlet is “ON”.
	Overcharged battery	Do not charge the battery longer than 30 hours. If you suspect that your battery is damaged as a result of overcharging, contact your local Power Wheels® authorized service center. They can test your battery for you.
	Battery is old and will not accept full charge	Even with proper care, a rechargeable battery does not last forever. Average battery life is 1 to 3 years depending on vehicle use and use conditions. Do not substitute parts.
	Tripped thermal fuse	The built-in thermal fuse may “trip” and shut down operation of the vehicle if the vehicle is overloaded or the driving conditions too severe. The fuse will automatically reset itself after approximately 25 seconds allowing the vehicle to resume normal operation. To avoid repeated automatic shut downs, do not overload the vehicle by exceeding the 65 lb. maximum weight capacity or by towing anything behind the vehicle. Do not drive up hills or run into fixed objects, which can cause the wheels to stop spinning while power is still being supplied to the motors. If the thermal fuse continually trips, contact your local Power Wheels® authorized service center.
Vehicle runs sluggishly	Undercharged battery	Charge the battery. A new battery should have been charged for at least 18 hours before using the vehicle for the first time. After first-time use, recharge the battery for at least 14 hours after each use. Never charge the battery longer than 30 hours.
		Check all connectors. Make sure the battery connector is tightly plugged into the charger connector, and that the charger is plugged into the wall.
		Make sure power flow to the wall outlet is “ON”.
	Battery needs charging	After approximately 3 hours of constant use, the battery needs charging.

## Problems and Solutions Guide

Problem	Possible Cause	Solution
Vehicle runs sluggishly (cont.)	Battery is old and will not accept full charge	Even with proper care, rechargeable batteries do not last forever. Average battery life is 1 to 3 years depending on the vehicle use and use conditions. Replace the battery with a Power Wheels® 6 volt battery with A-style connector and built-in thermal fuse. Do not use substitute parts.
	Vehicle is overloaded	Make sure you do not overload the vehicle by allowing more than one rider at one time, by exceeding the 65 lb. maximum weight capacity, or by towing objects behind the vehicle. If the vehicle is overloaded, the built-in thermal fuse in the battery may "trip" and automatically shut down operation of the vehicle for approximately 25 seconds. Reduce the load on the vehicle to prevent repeated automatic shutdowns.
	Driving conditions are too stressful	Use only on generally level ground.
Sometimes the vehicle doesn't run, but other times it does	Loose wire or connector	Check all wires around the motor and all connectors to make sure they are tight.
	Motor or electrical switch damage	Contact your local Power Wheels® authorized service center for diagnosis and repair.
When the foot pedal is pressed, the vehicle won't run without a push	Loose wire or connector	Check all wires around the motor and all connectors to make sure they are tight.
	"Dead Spot" on motor	Contact your local Power Wheels® authorized service center for diagnosis and repair.
Loud clacking or grinding noise from a motor-gearbox	Broken gears	Contact your local Power Wheels® authorized service center for diagnosis and repair.
Charger gets warm during use	It is normal for some chargers to get warm during use and is not reason for concern.	No action required.
		If your charger does not get warm during use, it does not mean that it is not working properly.
Battery makes a sizzling or gurgling noise when charging	It is normal for some batteries to make noise and swell slightly while charging and is not reason for concern.	No action required.
		If your battery does not make noise or swell slightly during charging, it does not mean that it is not accepting the charge.

If, after reviewing the Problems and Solutions Guide, the vehicle still fails to operate, please contact your nearest authorized service center (see page 23) or contact Power Wheels® Consumer Relations toll-free at **1-800-348-0751**.

**Hint:** For faster service when calling Consumer Relations, completely charge the battery before calling and have the following available by the phone:

- vehicle,
- vehicle model number (see sticker in battery compartment),
- vehicle production run number (see sticker in battery compartment),
- Phillips screwdriver, slotted screwdriver and needle-nose pliers with plastic or rubber handles,
- an extra Power Wheels® thermal fuse is helpful.



# Authorized Service Centers

We are continually expanding our Authorized Service Center Network. Please check this listing for the Authorized Service Center nearest you. If there is not one in your area, please call Power Wheels® Consumer Relations at 1-800-348-0751.

## ALABAMA

**BIRMINGHAM** - Frigid Appliance Center, 1861 Centerpoint Rd., 35215, (205) 853-3952  
**BIRMINGHAM** - Frigid Appliance Center, 701 Graymont Ave. North, 35203, (205) 323-5831  
**DECATUR** - Peddler II, 1308 Fairway Drive SE, 35601, (205) 350-1044  
**DOTHAN** - Bill's Appliance Service, 208 Bic Rd., 36303, (334) 792-7746  
**DOUGLAS** - Brown Hardware #4916, Highway 75, 35964, (256) 593-6086  
**HOMWOOD** - Frigid Appliance Center, 154 West Valley Ave. 35209, (205) 942-3959  
**MONTGOMERY** - Acme Service Co., 2603 Highland Ave., 36107, (334) 264-2456  
**TROY** - Specialty Batteries, 1317 South Brundidge St., 36081, (334) 670-6800, Toll Free: (800)-477-8230

## ALASKA

**ANCHORAGE** - Ken's Electronics Service, 360 E. International, 99518, (907) 562-3443

## ARIZONA

**GLENDALE** - Elliott Electric Appliance, 6242 N. 43rd Ave., 85301, (602) 937-2613  
**Scottsdale** - Elliott Electric Appliance, 7515 E. McDowell Road, 85257, (602) 946-7487  
**TUCSON** - Arizona Small Appliance Service, 5033 E. 5th Street, 85711, (520) 325-3988

## ARKANSAS

**FT. SMITH** - Bromley Appliance Service, 614 North 10th Street, 72901, (501) 782-9646  
**JONESBORO** - Jonesboro Sewing & Vac, 1420 South Caraway Road, 72401, (870) 931-9600, (800) 530-7656  
**LITTLE ROCK** - C & W Tool Repair, 1400 South Main St., 72202, (501) 374-1911  
**ROGERS** - Kressels Vacuum & Repair, 115 North 5th St., 72756, (501) 636-7894  
**STUTTGART** - Davis Lumber Company, 301 East Michigan, 72160, (870) 673-3601

## CALIFORNIA

**ANDERSON** - Hardware Express #0572, Do It Best, 96007, (530) 365-3783  
**BAKERSFIELD** - Southwest TV, 6300 White Lane, Suite B, 93309, (805) 397-4940  
**CONCORD** - Ca. Electric Service Inc., 1170-G Burnett Ave., 94520, (925) 827-1011  
**COVINA** - Ca. Electric Service Inc., 612 Shoppers Ln., 91723, (626) 915-4935  
**FORT JONES** - Ft. Jones Frontier Hardware, 11911 Main Street, 96032, (916) 468-2266  
**FRESNO** - Valley Small Appliance, 4005 E. Ashlan Ave., 93726, (209) 224-5530  
**FULLERTON** - Ca. Electric Service Inc., 1208 E. Ash Avenue, 92831, (714) 870-0900  
**LOS ALAMITOS** - Ca. Electric Service Inc., 11284 Los Alamitos Blvd., 90720, (562) 430-2668  
**MERCED** - Moosehead Electronics, 920 W. 18th Street, 95340, (209) 723-4712  
**MISSION VIEJO** - Ca. Electric Service Inc., 23725 Via Fabricante, 92691, (714) 586-9440  
**OAKLAND** - Ca. Electric Service Inc., 2301 Broadway, 94612, (510) 834-1050  
**OXNARD** - Tiny's / The Clean-up Store, 1237 Saviers Road, 93033, (805) 487-9401  
**PASADENA** - Ca. Electric Service Inc., 2594 E. Colorado Blvd., 91107, (626) 792-3194  
**SACRAMENTO** - Ca. Electric Service Inc., 1717 Bell Street, 95825, (916) 648-1604  
**SALINAS** - SRS Hobbies, 1038A North Davis Road, 93907, (831) 424-4044, (800) 414-4547  
**SAN DIEGO** - Ca. Electric Service Inc., 3440 El Cajon Blvd., 92104, (619) 283-6488  
**SAN FRANCISCO** - Ca. Electric Service Inc., 3934 Geary Blvd., 94118, (415) 386-4500  
**SAN JOSE** - Ca. Electric Service Inc., 481 South Bascom Ave., 95128, (408) 295-1722  
**SANTA ROSA** - Hardisty's Inc., 710 Farmers Lane, 95405, (707) 545-0535

**SKY FOREST** - Sky Forest Electrical, 26870 Highway 18, 92385, (909) 337-0811  
**STOCKTON** - California Electronics, 929 North Yosemite Street, 95203, (209) 466-5432  
**TEMECULA** - Ca. Electric Service Inc., 41715 Enterprise Circle, 92590, (909) 695-5445  
**VAN NUYS** - Ca. Electric Service Inc., 14753 Oxnard Blvd., 91411, (818) 997-8855  
**WEST LOS ANGELES** - Ca. Electric Service Inc., 2314 S. Westwood Blvd., 90064, (310) 475-2532  
**YUCAIPA** - Aire-Rite Heating & A/C, 34724 Yucaipa Blvd., 92399, (909) 797-2788

## COLORADO

**COLORADO SPRINGS** - Nelson Appliance Repair, Inc., 1220 E. Fillmore, 80907, (719) 635-1928, (800) 291-8010  
**DENVER** - Appliance Service, 4262 Lowell Blvd., 80211, (303) 458-1109  
**ENGLEWOOD** - Appliance Service, 3932 S. Broadway, 80110, (303) 781-1227, (800) 553-1864  
**GRAND JUNCTION** - V & L Appliance Service, 591 25 Road Suite A6, 81506, (970) 243-3360  
**PUEBLO** - Direct Maytag Home Appliance Co., 1407 Santa Fe Drive, 81006, (719) 543-0777

## CONNECTICUT

**HAMDEN** - New Haven Appliance, 1627 Dixwell Ave., 06514, (203) 288-6229  
**HARTFORD** - Hartford Element & Appliance, 1500 Albany Avenue, 06112, (860) 246-7424, (800) 787-7977  
**SHELTON** - Jeff's Appliance, Inc., 500 A Howe Avenue, 06484, (203) 924-8997  
**STAMFORD** - Appliance Service of Stamford, 15 Cedar Heights Road, 06905, (203) 322-7656  
**WATERBURY** - P.J. Appliance Repair, 935 South Main Street, 06706, (203) 757-1014

## DELAWARE

**SELBYVILLE** - Ahern & Son, Inc., #2 S. Dupont Hwy Rt. 2, 19975, (302) 436-4100  
**WILMINGTON** - Lyons Hardware Do-It Center, 2021 Kirkwood Highway, 19805, (302) 995-1260

## DF

**MEXICO** - S.E.G.E.S.A., Calz De Tlalpan 1172-A, CP3540

## FLORIDA

**ATLANTIC BEACH** - First Coast Repair, 25 Seminole Road, 32233, (904) 246-4616  
**CAPE CORAL** - Family Hardware #0827 Do-It Express, 33904, (941) 542-6365  
**DELRAY BEACH** - Mister Fixit, 209 S.E. 2nd Avenue, 33483, (561) 243-9999  
**GAINESVILLE** - Authorized Appliance Service, 2614 South West 34th Street, 32608, (352) 375-3886  
**HIALEAH** - S-O Service Company, 925 Hialeah Drive, 33010, (305) 887-6275  
**HOLLY HILL** - Ormond Element, 1668 Ridgewood Avenue, 32117, (904) 677-3497  
**JACKSONVILLE** - Authorized Appliance, 6120-5 Powers Avenue, 32217, (904) 737-5312  
**LAKELAND** - Electric Shaver & Small Appliance, 4243 S. Florida Avenue, 33813, (941) 644-4690  
**MIAMI** - Goodman's Sales & Service, 13081 SW 133 Court, 33186, (305) 278-8822  
**NORTH PALM BEACH** - Appliance Doctors II, 450 Northlake Blvd., 33408, (561) 845-0377  
**OCALA** - Vacuum Center & Gifts, 2012 South Pine Avenue, 34474 (352) 732-6335  
**ORLANDO** - Pine Hills Appliance Svc. Co., 6100-4 W. Colonial Drive, 32808, (407) 299-1271  
**ORLANDO** - Southern Electric Co., 510 N. Parramore Avenue, 32801, (407) 841-8824, (800) 940-8824  
**PANAMA CITY** - Callaway Vacuum & Sewing, 221 N. Tyndall Parkway, 32404, (850) 763-7443  
**PENSACOLA** - Foster's Appliance Repair, 3836 N. Davis Highway, 32503, (850) 432-8853

**POMPANO BEACH** - Authorized Appliance, 2171 North Dixie Highway, 33060, (954) 941-2038  
**PORT ST. LUCIE** - Hoppe's Authorized Vac & Appliance, 6735 South Federal Hwy, 34952, (561) 464-0102  
**SARASOTA** - Sunray Small Appliance, 8371 N. Tamiami, Tr US-41, 34243, (941) 358-9999, (800) 895-5655  
**SEBRING** - Ace Hardware of Sebring, 305 US 27 North, 33870, (941) 385-2785  
**SPRING HILL** - Ace Hardware #5304F, 5350 Spring Hill Drive, 34606, (352) 686-4743  
**ST. PETERSBURG** - Keystone Electric, 4604 Central Avenue, 33711, (813) 321-1124  
**STUART** - Appliance Doctors, 3166 S.E. Dixie Highway, 34997, (561) 287-6437  
**SUNRISE** - Muller Appliance Service, 2116 N. University Drive, 33322, (954) 749-5460  
**TAMPA** - Authorized Appliance Service Co., Dibbs Plaza, 33624, (813) 968-6638  
**VERO BEACH** - Hoppe's Authorized Vac & Appliance, 1872 Commerce Avenue, 32960, (561) 562-4466  
**WEST PALM BEACH** - Satisfaction TV Video, 1980 S. Congress Avenue, 33406, (561) 439-3733, (800) 477-3734

## GEORGIA

**ATLANTA** - Georgia Service Center, 5366 Buford Highway, 30340, (770) 455-1716, (800) 455-1715  
**AUGUSTA** - A & A Appliance Parts & Service, 1708 Walton Way, 30904, (706) 733-5163  
**BRUNSWICK** - Arco Hardware & Supply, 3711 Community Road, 31520, (912) 267-0771  
**COLUMBUS** - Burrell's National Appliance Service, 1728 Warm Springs Road, 31904, (706) 327-0523  
**GAINESVILLE** - Bike Town USA, 1604 Dawsonville Hwy., 30501, (770) 532-7090  
**LOGANVILLE** - Mtn. Mower Sales and Service, 380-A Hwy. 78, 30249, (770) 466-9111  
**MARIETTA** - Philips Consumer Electronics, 200 N. Cobb Parkway, 30062, (770) 795-0085  
**SAVANNAH** - Hagins Appliance Service, 3 West Victory Drive, 31405, (912) 233-8372  
**TIFTON** - Western Auto, 354 South Main Street, 31794, (912) 382-5767  
**VALDOSTA** - Harry B. Anderson, Inc. Western Auto, 31601, (912) 242-5945  
**WOODSTOCK** - All City Appliance Inc., 8477 Hwy 92 Suite 110, 30189, (770) 924-2375

## HAWAII

**HONOLULU** - McCully Bicycle & Sporting Goods, 932 Hausten Street, 96826, (808) 946-1192  
**WAILUKU** - Tom's Appliance Sales & Service, 1816 Mill Street Suite 104, 96793, (808) 244-6278  
**WAIPAHU** - Waipahu Bicycle, 94-320 Depot Street, 96797, (808) 671-4091

## IDAHO

**BOISE** - Boise Appliance, 1503 Main Street, 83702, (208) 343-0102

## ILLINOIS

**CHAMPAIGN** - Appliance Parts & Service, 905 Francis, 61821, (217) 355-0220  
**DECATUR** - Rexx Battery of Decatur, 1330 E. Eldorado Street, 62521, (217) 422-0281  
**DOWNER'S GROVE** - Authorized Appl. Svc. Co., 1644 W. Ogden Ave., 60515, (630) 852-1550, (800) 829-1798  
**JACKSONVILLE** - Rexx Battery Specialists, 847 South Main Street, 62650, (217) 245-2713  
**LINCOLN** - Rexx Battery Specialists, 504 Keokuk, 62656, (217) 732-2885  
**MORTON GROVE** - Brand Parts & Repair Center, 5618 Dempster Street, 60053, (847) 965-5900  
**MT. VERNON** - Battery Specialists, 1018 South 10th, 62864, (618) 244-0091  
**NASHVILLE** - Kesel Hardware #5399, 173 West St. Louis, 62263, (618) 327-8957  
**NILES** - Household Appl Sales & Service, 7411 N. Milwaukee Ave., 60714, (847) 647-8250, (800) 572-6826  
**PEORIA** - Rexx Battery Specialists, 3033 North University, 61604, (309) 687-3564

# Authorized Service Centers

**ROCKFORD** - Sun Appliance Sales & Service, 3112 N. Rockton Avenue, 61103, (815) 964-3866  
**SPRINGFIELD** - Rexx Battery Co. Inc., 2505 South Grand East, 62703, (217) 535-4096  
**TAYLORVILLE** - Battery Specialists +, Golf Cars, 62568, (217) 824-3943

## INDIANA

**EVANSVILLE** - Electro Hygiene Co., 1614 South Kentucky, 47714, (812) 425-2671  
**FT. WAYNE** - HWI Hardware & Paint, 6043 Stellhorn Road, 46835, (219) 485-8861  
**FT. WAYNE** - Southside Vacuum Co. Inc., 3702 S. Calhoun St., 46807, (219) 745-7788, (888) 209-8113  
**INDIANAPOLIS** - Brand Appl Svctr Inc., 1827 N. Meridan Street, 46202, (317) 924-1386  
**INDIANAPOLIS** - Sullivan Do-It Center #957, 7021 N. Keystone, 46220, (317) 255-9230  
**NEW ALBANY** - Wells Hardware #1607, 1011 Vincennes Street, 47150, (812) 944-4523  
**OSCEOLA** - AAA Appliance Service Co., 11868 Lincoln Way West, 46561, (219) 679-4981  
**SOUTH BEND** - Ray's TV and Appliance, 60717 US 31 South, 46614, (219) 291-1630

## IOWA

**BETTENDORF** - K & K True Value Hardware, 1818 Grant Street, 52722, (319) 359-4473  
**CEDAR RAPIDS** - Stalker Electric Inc., 110 3rd Ave. SW, 52404, (319) 364-5646  
**COUNCIL BLUFFS** - Millard Television Inc., 1840 Madison Avenue, 51501, (712) 322-9552  
**DES MOINES** - Quality Appliance Repair Center, 1417 Walnut Street, 50309, (515) 288-0108  
**DUBUQUE** - Shavers Plus, 1824 Central Avenue, 52001, (319) 556-4442  
**FT. DODGE** - Messerly Electronics, 614 1st Avenue South, 50501, (515) 576-4480  
**GRINNEL** - Bikes To You, Inc., 921 Broad Street, 50112, (515) 236-8600  
**SIOUX CITY** - Millard Television Inc., 1419 Hamilton Blvd., 51103, (712) 258-3435

## KANSAS

**COLBY** - Gavon's Electronics, 1870 South Range, 67701, (785) 462-6601  
**JUNCTION CITY** - R/C Hobbies, 115 W. 7th Street, 66441, (785) 238-1877  
**OVERLAND PARK** - Mar-Beck Appliance Service Co. Inc., 8471 West 95th Street, 66212, (913) 642-1557  
**WICHITA** - Alan Appliance Service, Inc., 1300 E. Central, 67214, (316) 262-7228, (800) 290-7228

## KENTUCKY

**GREENVILLE** - Malone Lumber Do-It Center, 204 W. Depot Street, 42345, (502) 338-3252  
**LOUISVILLE** - Maury's Appliance Service, 1521 Bardstown Road, 40205, (502) 456-1671  
**MADISONVILLE** - Kuester's Hardware, North Main St., 42431, (502) 825-2818  
**MT. WASHINGTON** - Mt. Washington Auto, Box 316 520 N. Bardstown, 40047, (502) 538-4296  
**OWENSBORO** - Kuester's Inc., 1210 Carter Road, 42301, (502) 685-4916  
**PADUCAH** - Hank Brothers True Value, 3101 Lone Oak Road, 42003, (502) 554-4001

## LOUISIANA

**ALEXANDRIA** - Red River Cyclery, 3724 South MacArthur Dr., 71302, (318) 473-4256  
**BAKER** - Gayle Batt. Distributors, 16555 Plank Road, 70714, (504) 774-7475, (800) 965-3258  
**BATON ROUGE** - Home Appliance Service, Inc., 10781 Florida Blvd., 70815, (504) 272-7727  
**HAMMOND** - Battery Depot, 207 East Thomas Street, 70401, (504) 542-4983  
**HOUMA** - Terrebonne Marine, 1201 St. Charles Street, 70360, (504) 872-3314  
**LAFAYETTE** - Cullen's Playland, 4498 Johnston Street, 70503, (318) 981-2929  
**LAKE CHARLES** - Capitol Schwinn Cyclery, 722 E. Prien Lake Road, 70605, (318) 474-9090

**METAIRIE** - Le Jouet Inc., 1700 Airline Hwy, 70001, (504) 837-0533  
**MORGAN CITY** - Sam's Sales & Service, Inc., 408 Roderick Street, 70380, (504) 384-1428  
**NEW IBERIA** - Voorhies Supply Co. Inc., 401 W. St. Peter Street, 70560, (318) 364-2431  
**SHREVEPORT** - Shreveport Shaver and Appliance, 9750 St. Vincent, 71106, (318) 865-5088, (800) 349-7722

## MAINE

**BANGOR** - Adco Surgical Supply Co., 1292 Hammond St., 04401, (207) 942-5273, (800) 727-5273  
**GREENE** - Brule's Auto Clinic & Sales, 968 Sawyer Road, 04236, (207) 375-4872, (800) 339-4872  
**PORTLAND** - Colonial Electronics, Inc., 259 St. John Street, 04102, (207) 774-6666

## MARYLAND

**BERLIN** - Myers Auto-Power Tool Rental Co. Inc., 21811, (410) 641-3497  
**GAITHERSBURG** - Waters Appliance Service, 216 E. Diamond Ave., 20877, (301) 258-7500, (800) 225-5009  
**GLEN BURNIE** - Taylor Rental, 7389 Baltimore-Annapolis Blvd., 21061, (410) 768-1933, (800) 836-8464  
**TOWSON** - Duran Service Company, 8741 Mylander Lane, 21286, (410) 321-9033

## MASSACHUSETTS

**LOWELL** - Lowell Appliance Service Center, 564 Dutton Street, 01854, (978) 454-8731  
**MAYNARD** - Gramp's Garage, 16 Main Street, 01754, (978) 461-0463  
**MEDFIELD** - Wills Hardware #4373, 5 Janes Avenue, 02052, (508) 359-4381  
**NEEDHAM** - Suburban Appliance Service Center, 34 Wexford Street, 02194, (781) 449-8787  
**QUINCY** - Appliance Service and Parts Inc., 582 Washington Street, Route 3A, 02169, (617) 773-6656  
**SALEM** - Fix Master Inc., 190 North Street, 01970, (978) 745-0004  
**SPRINGFIELD** - Utility Electric Service, Inc., 810 Main Street, 01101, (413) 781-1635

## MICHIGAN

**ALMONT** - Almont Do It Center #421, 4545 Van Dyke, 48003, (810) 798-8922  
**BAY CITY** - Bay Vac & Pedal, 805 Columbus Ave., 48708, (517) 892-7516  
**BRIGHTON** - Complete Battery Source, 8023 W. Grand River, 48116, (810) 220-1050  
**DAVISON** - Gill-Roy's Hardware, 8405 East Davison, 48423, (810) 653-2288  
**DEARBORN** - McNichols Electric Service, 1836 Grindley Park, 48124, (313) 563-7550  
**DETROIT** - McNichols Electric Service, 13725 W. McNichols, 48235, (313) 342-6070, (800) 562-4226  
**GAYLORD** - Alpine Electronics Services, 604 West Main, 49735, (517) 732-5004, (800) 244-6633  
**GRAND RAPIDS** - Superior Appliance Company, 1050 Scribner Avenue, NW, 49504, (616) 459-3271  
**JACKSON** - Hammond Hardware #277, 1800 Francis St., 49204, (517) 782-0704  
**KALAMAZOO** - Consumer Repair, 3938 Westnedge, 49008, (616) 344-1200  
**LANSING** - Rapid Appliance Service, Inc., 1454 E. Michigan Avenue, 48912, (517) 485-1320  
**MARLETTE** - Thumb Appl & Tool Repair, 3441 Main Street, 48453, (517) 635-7848  
**MIDLAND** - Knopics Do-It Center, 3128 Jefferson Ave., 48640, (517) 832-2774  
**NEW BUFFALO** - Lawn Ranger "One Stop Shop" 19425 US Hwy 12, 49117, (616) 469-0667  
**PRUDENNVILLE** - Ford's Do-It Center, 841 W. Houghton Lake Drive, 48651, (517) 366-7622  
**ROYAL OAK** - McNichols Electric Service, 4115 West 13 Mile Road, 48072, (248) 288-5135  
**SWARTZ CREEK** - Gill-Roy's Hardware, 9061 Miller Road, 48473, (810) 635-2020  
**TRAVERSE CITY** - De Weese Hardware Inc., 1029 Carver Street, 49686, (616) 947-7670

## MINNESOTA

**BLAINE** - Barness #1, 8701 Central Ave. NE, 55434, (612) 780-7729  
**BRAINERD** - Git A'Round, 4299 Hwy. 371 North, 56401, (218) 828-8088  
**DULUTH** - All Brand Mr. Fixit, 16 West First Street, 55802, (218) 722-1499  
**ROCHESTER** - Roberts Electronics, 611 6th Ave. NW, 55901, (507) 282-2140  
**ST. LOUIS PARK** - Barness #3, 4631 Excelsior Blvd., 55416, (612) 926-0521  
**ST. PAUL** - Barness #2, 1573 University Avenue, 55104, (651) 646-3109

## MISSISSIPPI

**HATTIESBURG** - Champion Cycle & Fitness, 2625 Lincoln Road, 39402, (601) 264-8233  
**IUKA** - W. H. Fairless Hardware Co. Inc., 117 Fulton Street, 38852, (601) 423-2233, (800) 797-9457  
**MERIDIAN** - Broadmoor Home Center, 2420 Old North Hills Street, 39305, (601) 483-7373  
**RIDGELAND** - Propeller Service, 291 Hwy. 51, 39157, (601) 856-3191  
**STARKVILLE** - East Mississippi Lumber, 300 Russell Street, 39759, (601) 323-3554  
**TUPELO** - Polaris Outdoor World, 1644C Eason Blvd., 38801, (601) 680-4733

## MISSOURI

**GLADSTONE** - Mar-Beck Appliance Serv. Co. Inc., 6559 N. Oak Traffic Way, 64118, (816) 436-9191  
**INDEPENDENCE** - Mar-Beck Appliance Service Co. Inc., 4476 South Noland Road, 64055, (816) 478-1889  
**KANSAS CITY** - Mar-Beck Appliance Service Co. Inc., 303 W. 79th Street, 64114, (816) 523-6931  
**POPLAR BLUFF** - Mills Iron & Supply, 1919 S. Westwood Blvd., 63901, (573) 785-2628  
**SPRINGFIELD** - Mar-Beck Appliance Service Co. Inc., 2704 S. Glenstone Avenue, 65804, (417) 882-3070  
**ST. LOUIS** - Authorized Appliance, Inc., 2355 Hampton Avenue, 63139, (314) 647-4250

## MONTANA

**BILLINGS** - Radio Equipment Company, 1205 Monad Rd., 59101, (406) 256-9778, (800) 711-4024

## NEBRASKA

**GRAND ISLAND** - Mundt's Small Appliance & Vacuum, 1822 W. Northfront Street, 68803, (308) 382-5084  
**LINCOLN** - CB Small Appliance, 432 South 11th Street, 68508, (402) 475-2546  
**LINCOLN** - Sperry TV, 3201 Pioneer Blvd./Suite 33, 68503, (402) 327-8111  
**LINCOLN** - Sperry TV, 2013 Highway 2, 68502, (402) 464-9181  
**NORTH PLATTE** - Sperry TV, Westfield Shopping Center, 69010, (308) 532-5200  
**OMAHA** - Myers Electric Co., Inc., 1458 South 16th Street, 68108, (402) 342-7710

## NEVADA

**LAS VEGAS** - Burney's Commercial Service, 4480 Aldebaran Avenue, 89103, (702) 736-0006  
**MINDEN** - Valley Do-It Center, 1587 Highway 395, 89423, (702) 782-5111

## NEW HAMPSHIRE

**MARLBOROUGH** - Electronics Aid Inc., 32 Roxbury Road, 03455, (603) 876-4161

## NEW JERSEY

**HAWTHORNE** - Ter Kuile, Inc., 206 Diamond Bridge Avenue, 07506, (973) 423-1142  
**HIGHLAND PARK** - Dash Electronics, 10 North Second Ave., 08904, (732) 247-2495  
**HOWELL** - South Jersey TV Service, 4321 Route 9 North, 07731, (732) 363-5550, (800) 244-3094  
**MAPLEWOOD** - Kiss Electrical Contractors Inc., 36 Newark Way, 07040, (973) 275-9400  
**OCEAN** - South Jersey TV Service, 1719 Route 35, 07712, (732) 531-3565  
**SICKLERVILLE** - Sickler Hardware, 540 Williamstown Road, 08081, (609) 728-3800



# Authorized Service Centers

**TOMS RIVER** - South Jersey TV Service, 1171 Fischer Road, 08753, (732) 506-9400

**TRENTON** - Tattersall Inc. #5459, 309 N. Willow Street, 08618, (609) 393-4293

## NEW MEXICO

**ALBUQUERQUE** - Appliance Service Center, 5505 Silver Avenue, SE, 87108, (505) 265-7774

**CLOVIS** - Burns Hardware Do-It Center, 1511 N. Prince, 88101, (505) 769-2528

## NEW YORK

**ALBANY** - Lake Electronic Service, 1650 Central Avenue, 12205, (518) 869-8424, (800) 585-3777

**BAYSHORE, L.I.** - Turnpike Appliance of Suffolk, 1253 Sunrise Highway, 11706, (516) 665-8311

**BINGHAMTON** - Hardware Fare Do-It Center, 1139 Front Street, 13905, (607) 722-9202

**BRONX** - Home Appl. Vacuum World, 5902 Riverdale Avenue Cor W 259th St., 10471, (718) 884-4600

**COMMACK** - Turnpike Appliance Service, 6181 Jericho Turnpike, 11725, (516) 499-3355

**EAST AURORA** - Sem-Fab of Western New York, 455 Olean Road, 14052, (716) 652-5228

**EAST ROCHESTER** - ABC Electronics Service Corp., 350 West Commercial St., 14445, (716) 248-3504

**ELMIRA** - Capabilities Inc., 1149 Sullivan Street, 14901, (607) 734-2006

**HAMBURG** - K-Technologies, Inc., 5424 Abel Road, 14075, (716) 649-5460

**HUDSON** - Sweeps Vacuum & Repair Center, 705 Warren Street, 12534, (518) 828-5457

**MONTICELLO** - Wayne's Small Engine & Equip. Repair, 79 St. John Street, 12701, (914) 796-1851

**POUGHKEEPSIE** - S & S Appliance Sales & Service, 390 Violet Avenue, 12601, (914) 452-6122

**RICHMOND HILL** - Lockdoctor Locksmiths In, 104-37 Atlantic Ave., 11418, (718) 441-6242

**ROCHESTER** - Benfante Appliance Service, 1286 Mt. Hope Avenue, 14620, (716) 473-8765

**SEA CLIFF** - Shabra Electronics, 400 Glen Cove Avenue, 11579, (516) 671-2218

**STATEN ISLAND** - Springstead Lumber, 4255 Amboy Road, 10308, (718) 984-0300

**SYRACUSE** - County Wide Appliance, 1001 N. State Street, 13208, (315) 479-5253, (800) 333-3243

**TUCKAHOE** - Authorized Appliance of Westchester, 26 Columbus Ave., 10707, (914) 961-8011

**UTICA** - Oneida Bicycle & Sports, 2107 Whitesboro St., 13502, (315) 724-6084

**WARWICK** - Wadson Home Center 4397, 60 Forester Avenue, 10990, (914) 987-2255, (800) 982-2215

**WEST HEMPSTEAD** - Turnpike Appl. Svc., 86 Hempstead Turnpike, 11552, (516) 486-5700, (800) 628-3911

**WILLIAMSVILLE** - Hector's Hardware, 876 Maple Road, 14221, (716) 688-4488

**YORKVILLE** - Yorkville Battery, Inc., 126 Whitesboro Street, 13495, (315) 736-2307

## NORTH CAROLINA

**ASHEVILLE** - Skyland Hardware #6423, 3179 Sweeten Creek Road, 28803, (828) 684-0308

**CHARLOTTE** - Auth. Appl. Service Center, 1020 Tuckaseegee Rd., 28208, (704) 377-4501, (800) 532-6127

**CLINTON** - Danny's Service Center, 119 Vance Street, 28328, (910) 592-3200

**ELIZABETH CITY** - Coastal Office Equipment, 501 East Church Street, 27909, (252) 335-2927

**JACKSONVILLE** - Discount Sales & Service, 468-B Western Blvd., 28546, (910) 455-6700

**NORTH WILKESBORO** - Appalachian Serv Center, 609 Elkin Hwy 268 East, 28659, (336) 667-5103

**RALEIGH** - Authorized Appliance Service Center, 800 North Person Street, 27604, (919) 834-3476

**STATESVILLE** - First Flight Bicycles, 216 S. Center St., 28677, (704) 878-9683

**WILMINGTON** - American Tool & Tractor, 102 Eastwood Road, 28403, (910) 392-5784

**WINSTON-SALEM** - Authorized Appliance Service Center, 904 South Marshall Street, 27117, (336) 725-5396

## NORTH DAKOTA

**FARGO** - General Parts & Supply Co., 10 S. 18th Street, 58103, (701) 235-4161, (800) 279-9987

## OHIO

**AKRON** - Advanced Appliance Service Company, 1604 Home Avenue, 44310, (330) 630-0058

**AMHERST** - Battery Power, 1911 Cooper Foster Park Road, 44001 (440) 960-2940

**BROOKLYN HEIGHTS** - Philips Consumer 729, 950 Keynote Circle, 44131, (216) 741-3334, (800) 331-7037

**CANTON** - Appliance Parts Co., 1267 Dueber Ave. S.W., 44706, (330) 453-8077

**CINCINNATI** - H & S Service, 458 Old State Route 74, 45244, (513) 528-0808

**DAYTON** - Layer Electric, 603 South Ludlow, 45402, (937) 224-9608

**LIMA** - Crouse Lumber Do-It Center, 333 E. Market Street, 45801, (419) 229-9070, (800) 826-9663

**MENTOR** - Lake Erie Lawn & Garden, 7833 Munson Rd., 44060, (440) 257-9000

**NEW BOSTON** - True Value Toy Town, 4207 Gallia Street, 45662, (740) 456-5704

**NEW CARLISLE** - Ballweg Hardware Inc., 3300 South Dayton-Lakeview, 45344, (937) 849-1306, (800) 786-1308

**PARMA** - Majors Appliance, 5785 Ridge Road, 44129, (440) 884-7200

**STRYKER** - Short's Hardware #3545, 115 N. Depot Street, Po Box 60, 43557, (419) 682-4231

**TOLEDO** - Broadway Sales, 1621 Broadway, 43609, (419) 241-9731, (800) 436-5415

**WELLINGTON** - Travelite Inc. 100 Industrial Avenue, 44090, (440) 647-3670

**YOUNGSTOWN** - O'Connor's, 3224 Market Street, 44507, (330) 782-4705

## OKLAHOMA

**MC ALESTER** - Quality Upholstery, 803 E. Gene Stipe Blvd., 74501, (918) 423-4747

**OKLAHOMA CITY** - Brand Appliance Repair, Co., 538 N. Pennsylvania Avenue, 73107, (405) 235-0583

**OKLAHOMA CITY** - Appliance Services By CK, 101 East Madison, 73105, (405) 5258862

**OKLAHOMA CITY** - Oklahoma Service Center, 1940 North May Avenue, 73107, (405) 946-9841

**TULSA** - H.L. Moss, Inc., 1714 E. 15th Street, 74104, (918) 744-1305, (800) 248-5948

## OREGON

**EUGENE** - Oldfield's, 1465 W 7th, 97402, (541) 485-6000

**PORTLAND** - Appliance Repair Central, 3203 N. E. Sandy Blvd., 97232, (503) 234-7339, (800) 588-7339

**SEASIDE** - Distinctive Carpet Care, 407 South Holladay, 97138, (503) 738-3007

## PENNSYLVANIA

**ALTOONA** - Frye's Sweep/Sew Center Inc., 1400 Valley View Blvd., 16602, (814) 943-5001, (800) 640-1308

**BUTLER** - Battery Warehouse, 469 Cunningham Street, 16001, (724) 287-3191

**COLLINGDALE** - Kenney Electric, 920 Mac Dade Boulevard, 19023, (610) 534-7373

**ERIE** - Parke T. Morrow, Inc., 627 W 26th Street, 16508, (814) 455-7566

**HARRISBURG** - C.A. Juillard Inc., 2301 North Seventh Street, 17110, (717) 233-3488, (800) 633-3488

**JOHNSTOWN** - Cambria True Value Hardware, West Hills Square, 15905, (814) 255-4752

**KINGSTON** - Vac-Way Appliance & Service, 595 Market Street, 18704, (717) 288-4508

**LANCASTER** - Colonial Electronics, 241 West Roseville Rd. Suite 2, 17601, (717) 560-2222

**MC DONALD** - Small Engine World, 130 E. O'Hara Street, 15057, (724) 926-3330

**MOSCOW** - Vac-Way Appliance & Service Co., 101 Van Brunt Street, 18444, (717) 842-4668

**ORANGEVILLE** - Hess Do-It Center & Market, Route 487, Box 4 M, 17859, (717) 683-5162

**PHILADELPHIA** - Appliance Care & Service Co., 6407 Rising Sun Ave., 19111, (215) 725-3112

**PITTSBURGH** - Ferry Electric Service Co., 140 Clairton Blvd., 15236, (412) 653-6004

**PITTSBURGH** - Ferry Electric Service Co., 7498 McKnight Road, 15237, (412) 364-3403

**READING** - Electric Repair Co., 502-504 North 9th Street, 19604, (610) 376-5444, (800) 422-8171

**SCRANTON** - Vac-Way Appliance and Service Co., 601 Cedar Avenue, 18505, (717) 343-1121

**SHAMOKIN DAM** - Willard Battery Outlet, 138 S. Old Trail, 17876, (717) 743-5383

**TROY** - Hoover Hardware #3958, 9 Canton Street, 16947, (717) 297-3445, (800) 251-2156

**WILKES-BARRE** - Walter Hardware Do-It Center, 57 N. Welles Street, 18702, (717) 823-1406

**YORK** - Parcel Plus, 2549 E. Market Street, 17402, (717) 757-1875

## PUERTO RICO

**HATILLO** - Tropical Parts Service, Carr 130km 8.5 B0. Pajui 00659, (809) 898-6474

**MAYAGUEZ** - Cardona Appliance Service, 8 San Vicente Sreet, 00680, (809) 832-8366

**MAYAGUEZ** - AAA Melendez Rental & Repair, Calle Post #319 Sur, 00680, (787) 832-5225

**PONCE** - Ferreteria Vivian, 775 Calle Caoba, 00731, (787) 840-0677

**PUERTO NUEVO** - Buckeye Service, 1013 Jesus T. Pinero Avenue, 00920, (787) 782-6175

## SOUTH CAROLINA

**AIKEN** - Dunagan's Sewing & Vac, 1536 Whiskey Road, 29803, (803) 649-6777

**CHARLESTON HEIGHTS** - Dorchester Electric Service, 3575 Dorchester Avenue, 29405, (843) 747-5221

**COLUMBIA** - Authorized Appliance Service Center, 1811 Taylor Street, 29202, (803) 254-8414

**DARLINGTON** - Hobbies and More, 1570 South Main Street, 29532, (843) 393-0355

**EASLEY** - Trails End Bicycles, 110 Pendleton Street, 29640, (864) 306-1684

**FORT MILL** - Service Engines Inc., 3356 SC Hwy 51 29715, (803) 548-1778, (800) 845-1191

**GREENWOOD** - Bikes & Boards & Mopeds, 203A Montague Avenue, 29646, (864) 229-2453

**SENECA** - Seneca Micros #110 East North First St., 29678, (864) 882-6580

**SPARTANBURG** - Boiling Springs Hardware, 3124 Boiling Springs Rd, 29303, (864) 578-1852

## SOUTH DAKOTA

**WINNER** - Nelwon Electronics Inc., 422 West 2nd Street, 57580, (605) 842-1611

## TENNESSEE

**DANDRIDGE** - Save More Sales, Highway 25-70 Bldg. 259, 37725, (423) 397-1255

**CHATTANOOGA** - Light Electric Company, 739 East 11th Street, 37403, (423) 267-9224

**KNOXVILLE** - Appliance & Electric Service, 5309-A Kingston Pike, 37919, (423) 588-5395, (800) 585-5395

**KNOXVILLE** - Authorized Appliance Service Center, 1206 North Central Street, 37917, (423) 524-3376

**MEMPHIS** - Camp Electric, 647 Madison Avenue, 38103, (901) 527-7543, (800) 238-7345

**NASHVILLE** - Webb's Appliance Service Center, 1519 Church Street, 37203, (615) 329-4079, (800) 899-4079

## TEXAS

**ABILENE** - Mike's Bikes, 3317 South 1st Street, 79602, (915) 672-1853

**AMARILLO** - Reid's Appliance Service, Inc., 906 Georgia, 79102, (806) 373-8812

**AUSTIN** - Harrell Supply and Service, Inc., 5435 Burnet Road, 78756, (512) 451-6464, (800) 332-7250

**AUSTIN** - Harrell Supply and Service, Inc., 1409 West Oltorf, 78704, (512) 442-5966

**CORPUS CHRISTI** - Brand Appliance & Microwave, 2751 South Staples, 78404, (512) 854-1851

**DALLAS** - All Type Sales and Service, 2835 Irving Blvd., 75207, (214) 638-1170, (800) 717-1170

**DALLAS** - Pearsol Appliance Co., 3127 Main Street, 75226, (214) 939-0930, (800) 527-7385



# Authorized Service Centers

**FT. WORTH** - Ft. Worth Shaver and Appliance, 1012 West 7th Street, 76102, **(817)** 335-9970  
**HOUSTON** - Brand Appliance Service Center, 1970 FM 1960 W, 77090, **(281)** 537-7795  
**HOUSTON** - Brand Appliance Service Center, 5727 Richmond Avenue, 77057, **(713)** 782-8910  
**KILLEEN** - Master Tech Repairs, 501 W. Elms Rd. Suite #10, 76542, **(254)** 618-5480  
**LAREDO** - Rubio Electric Co., 1719 San Bernardo, 78040, **(956)** 722-3908  
**LONGVIEW** - Foster's, 3315 Gilmer Road, 75604, **(903)** 759-3939  
**LUBBOCK** - Minter's, 4409 50th Street, 79414, **(806)** 799-3170  
**LUFKIN** - STS Audio and Video, 1505 South First Street, 75901, **(409)** 639-4529  
**MC ALLEN** - All-In-One Repair Shop, 2313 Lark Avenue, 78504, **(956)** 682-8858  
**MIDLAND** - Midland Tool Specialty, 918 South Main, 79701, **(915)** 682-4647, **(800)** 499-0755  
**PASADENA** - Larry's TV Service Inc., 3520 Fairmont Parkway, 77504, **(281)** 998-0122, **(800)** 244-0281  
**ROMA** - True Value Hardware, 1004 E. Highway 83, 78584, **(956)** 849-1322  
**SAN ANTONIO** - Brand Appliance Sales & Service, 6435 San Pedro Avenue, 78216, **(210)** 344-8577  
**SEYMOUR** - Western Auto #5341, 211 N. Main Street, 76380, **(940)** 888-3980  
**TEMPLE** - Master Tech Repairs, 2819 West Avenue North, 76504, **(254)** 773-8991  
**VICTORIA** - Tom's Video Service, 211 East Anaquia, 77901, **(512)** 576-0664, **(800)** 433-0664  
**WICHITA FALLS** - Burke's Appliance Service, 2410 10th Street, 76309, **(817)** 723-6211

## UTAH

**OREM** - The Mending Shed, 1735 South State Street, 84058, **(801)** 225-8012, **(800)** 339-9297  
**SALT LAKE CITY** - Appliance Service Center, Inc., 1475 South Main, 84115, **(801)** 467-6361

## VERMONT

**RUTLAND** - Appliance Service Center Ltd., 152 Woodstock Avenue, 05701, **(802)** 773-8917  
**RUTLAND** - Foley's Equipment Care Center, 7 Pine Street, 05702, **(802)** 773-8917

## VIRGINIA

**HARRISONBURG** - J.L. Maintenance & Repair, 1420 Virginia Avenue, 22802, **(540)** 434-4040, **(800)** 2960-9844  
**LUISA** - Lakeside Electric Contractors, 4344 Davis Hwy Ste 2, 23093, **(540)** 967-3000  
**NORFOLK** - Commonwealth Electric Shaver, 6614 Virginia Beach Blvd., 23502, **(757)** 461-4475  
**RICHMOND** - Wells, Inc., 3502 Jefferson Davis Hwy., 23234, **(804)** 233-6726  
**ROANOKE** - Commonwealth Electric Shaver, 5524 Williamson Road NW, 24012, **(540)** 366-6038  
**SOUTH BOSTON** - South Boston True Value, 307 Broad Street, 24592, **(804)** 572-6666  
**VIENNA** - Appliance Fix-It, 8455 Tyco Road, 22182, **(703)** 893-1234  
**WINCHESTER** - Battery Mart of Winchester, 1 Battery Dr., 22601, **(540)** 665-0065

## WASHINGTON

**BELLEVUE** - Action Small Appliance, 1500 145th Place SE, 98007, **(425)** 643-9806, **(888)** 643-9806  
**FEDERAL WAY** - Martha Lake Electronics, 2118 South 314th Street, 98003, **(253)** 946-9033  
**LYNNWOOD** - Martha Lake Electronics, 16521 13th Ave. W., 98037, **(425)** 743-4178  
**RENTON** - Martha Lake Electronics, 212 South West 43rd, 98055, **(425)** 251-5417  
**SEATTLE** - Action Small Appliance, 2125-2nd Ave., 98121, **(206)** 448-2020  
**SPOKANE** - AALWACO Appliance Service, E. 3403 Euclid Avenue, 99217, **(509)** 487-1089  
**TACOMA** - Martha Lake Electronics, 2913 South 38th Street, 98409, **(253)** 475-0668  
**WENATCHEE** - Motor Mart, 150 Marr, 98801, **(509)** 663-4237, **(800)** 696-9422

## WEST VIRGINIA

**BECKLEY** - Jerry's Detectors, Vacuum & Appl., 411 Second Street, 25801, **(304)** 253-3521  
**CHARLESTON** - Sneed's Vacuum & Sewing Center, 2614 7th Avenue, 25312, **(304)** 744-3670, **(800)** 245-8048  
**HARRISVILLE** - Western Auto Assoc. Store, 1107 E. Main St., 26362, **(304)** 643-2226  
**HUNTINGTON** - Mike's Appliance and Service, 212 20th Street, 25703, **(304)** 522-0737  
**MARTINSBURG** - Battery Mart, 1161-3 Winchester Avenue, 25401, **(304)** 267-7033, **(800)** 464-7918  
**WHEELING** - Fast Service Center, 1058 Main Street, 26003, **(304)** 232-5561 **(800)** 874-4090

## WISCONSIN

**GREEN BAY** - Kastle Carts, 3990 Evergreen Ave., 54313, **(920)** 465-6121  
**LACROSSE** - Paul's Shaver Service, 1224 Caledonia Street, 54603, **(608)** 782-6291  
**MARINETTE** - Delta Do-It Center, W 1536 Highway 41, 54143, **(715)** 732-1768  
**MILWAUKEE** - Brand Appliance Repair, Inc., 3707 North 92nd Street, 53222, **(414)** 461-0440  
**MILWAUKEE** - Brand Appliance Repair, Inc., 6000 W. Oklahoma Ave., 53219, **(414)** 541-4340  
**MONONA** - Kiefers Shaver and Appliance, 4511 Monona Drive, 53716, **(608)** 221-3322

# IMPORTANT!

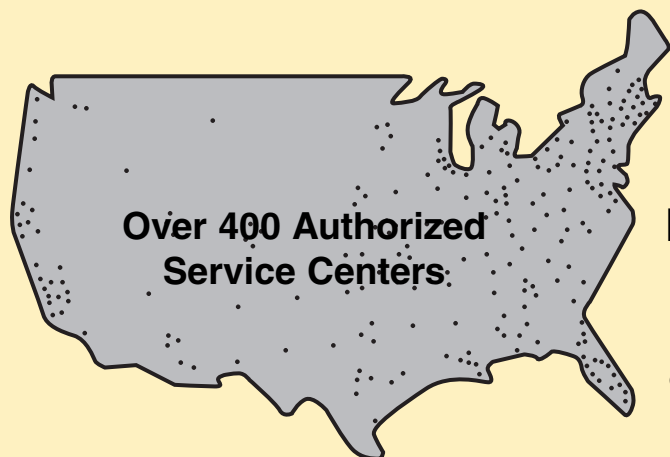
**DO NOT use this vehicle for the first time until you have charged the battery for 18 hours.**

Remember to...

- ✓ Charge the battery immediately after each use.
- ✓ Charge the battery once a month during storage, even if the vehicle has not been used.

Failure to follow these instructions will permanently damage your battery and void your warranty. Please refer to the Battery Care Section in this manual for more information.

# DO NOT Return your Vehicle to the Store !



If you are missing parts or need assistance, please call us toll-free:

**Power Wheels® Consumer Relations**

**1-800-348-0751**

**8 AM - 6 PM EST, Monday through Friday.**

Or contact your local Power Wheels® Authorized Service Center.



For the location nearest you, refer to the Authorized Service Center list in this manual.

Fisher-Price and Power Wheels by Fisher-Price are U.S. trademarks of Mattel, Inc. Fisher-Price, Inc., a subsidiary of Mattel, Inc., East Aurora, New York 14052 U.S.A. ©2000 Mattel, Inc. All Rights Reserved.