



Product features may vary from the picture above.

Barbie[™] Songbird ATV

Owner's Manual with Assembly Instructions

Please read this manual and save it with your original sale's receipt.

For Model 76980

Tools needed for assembly: Phillips Screwdriver, Slotted Screwdriver, Hammer, and Pliers.
Use only with a Power Wheels® Type H 6 Volt (4.0 Amp/Hr.) Battery, Power Wheels® 25 Amp Fuse
and Power Wheels® Type H 6 Volt Charger (all included).



ELECTRIC TOY: Not recommended for children under 1 year of age.
As with all electric products, precautions should be observed during
handling and use to prevent electric shock.

Throughout this manual you will find important messages in the form of **WARNINGS**, **CAUTIONS**, and **NOTES**.



WARNING

WARNING – SIGNALS SOMETHING THAT COULD HURT YOUR CHILD OR YOU. The message explains the hazard and how you can avoid it.

WARNING

- Children can be harmed by small parts, sharp edges and sharp points in the vehicle's unassembled state, or by electrical items. Care should be taken in unpacking and assembly of the vehicle. Children should not handle parts, batteries or help in assembly of the vehicle.
- Keep small parts and plastic bags out of children's reach. Dispose of plastic bags properly.
- Adult supervision is required. Children do not have the judgement necessary to avoid many accidents. Be sure that children operating this vehicle can do so safely and that they are supervised at all times.
- Improper use of this vehicle could lead to a serious or fatal accident. Allow children to play with this vehicle only when you have determined that they can do so safely. Follow all instructions to help your child enjoy this vehicle as safely as possible.
- Never use near steps, driveways, steep inclines, roadways, alleys, swimming pool areas or other bodies of water.
- Always wear shoes or sneakers when riding this vehicle.
- Never allow more than one rider.
- The rider should sit on the seat when the vehicle is in operation.
- **Hot** motor cover. Handle carefully.
- Never alter this vehicle or its electrical system in any way. Alterations could cause a fire resulting in injury and could also ruin the electrical system.
- Use of the wrong type battery, fuse or charger could cause a fire or explosion, resulting in serious injury.
- Never add unauthorized parts to the vehicle or use substitute parts. Use only specified Power Wheels® replacement parts.
- The battery must be handled by adults only.
- Never lift or carry the battery by the wires or connector. This can damage the battery and possibly cause a fire resulting in injury. Lift and carry the battery by the case only.
- Never permit a child to handle the battery. The battery is heavy and contains sulfuric acid (electrolyte) and if dropped, could result in serious injury. Read the cautions on the back panel of the battery.
- Never allow children to charge the battery. Battery charging must be done by adults only. A child could be injured by the electricity involved in charging the battery.
- Examine the battery, charger and their connectors for excessive wear or damage each time you charge the battery. If damage or excessive wear is detected, do not use the vehicle until you have replaced the worn or damaged part as it could possibly cause a fire resulting in injury.



CAUTION

CAUTION – SIGNALS SOMETHING THAT COULD DAMAGE THE VEHICLE.

The message explains the risk and how you can avoid it.

NOTE – Is used to highlight useful information.



CAUTION

- Do not operate your vehicle for the first time until you have inserted the 25 amp fuse into the battery and charged the battery for at least 18 hours. Never charge the battery longer than 30 hours.
- After first-time use, charge the battery for at least 18 hours after each use. Never charge the battery longer than 30 hours.
- Use the charger indoors only.
- Read and follow the Battery Care instructions on page 24. Failure to follow the Battery Care instructions may permanently damage your battery and will void your warranty.
- To avoid damaging the motor and gears, do not overload the vehicle.
 - Never allow more than one child on the vehicle at one time.
 - Do not exceed the maximum weight capacity of 40 lbs.
 - Do not tow anything behind this vehicle. The extra weight may overload the vehicle.
- Avoid operating the vehicle in wet or snowy conditions, and do not spray the vehicle with a hose. Do not wash the vehicle with soap and water. Water or moisture in the motor or electrical switches can cause them to corrode, and could cause switch or motor failure.
- Avoid operating the vehicle on sand, loose dirt or gravel. Sand, loose dirt and gravel in the electrical switches or motor can cause them to jam, and could cause switch or motor failure. Use this vehicle on grass, asphalt or other hard surfaces.

Table of Contents

A	Message to Parents	4
B	Important Information	5
C	Parts	6
D	Parts Diagram	8
E	First-Time Battery Charging	9
F	Assembly	11
G	Label Decoration	19
H	Battery Installation	20
I	Charging the Battery	22
J	Battery Handling/Care/Disposal	24
K	Rules for Safe Driving	25
L	How to Operate Your Vehicle	27
M	Frequently Asked Questions	28
N	Problems and Solutions Guide	29
O	Statement of Limited Warranty	32
P	Authorized Service Centers	32

A

Message to Parents

Thank you for purchasing the Power Wheels® Barbie™ Songbird ATV! For over 30 years, Power Wheels® has manufactured high-quality, battery-powered vehicles for children. Our goal is to provide your child with an enjoyable and safe driving experience. To help achieve this goal, it is extremely important that you read this entire manual and share the appropriate information with your child.

This vehicle requires adult assembly. Please set aside at least 30 minutes for assembly. Read the assembly instructions carefully and identify all parts before assembly. Refer to the Parts section beginning on page 6 for parts identification. Save all packaging material until assembly is complete to ensure that no parts are discarded.

In the unlikely event that parts are missing or damaged or if you have any questions about your Power Wheels® vehicle, please call our Consumer Affairs toll-free service lines, open from 8 AM to 6 PM (EST) Monday through Friday.

Please call us at 1-800-348-0751.

Trained customer service representatives are available to take your call in English or French.

¿Habla Español? Si usted tiene alguna pregunta ó necesita asistencia llame gratis 1-800-348-0755 para los Estados Unidos. Tenemos representantes que hablan español para atender su llamada.

We also have a nationwide Authorized Service Center network – with over 300 Authorized Service Centers. Our Authorized Service Centers will repair or replace parts under warranty at no charge. For vehicles beyond warranty, our Authorized Service Centers will perform repairs for a minimal charge. For the Authorized Service Center nearest you, please see the Authorized Service Center listing beginning on page 32.

B

Important Information

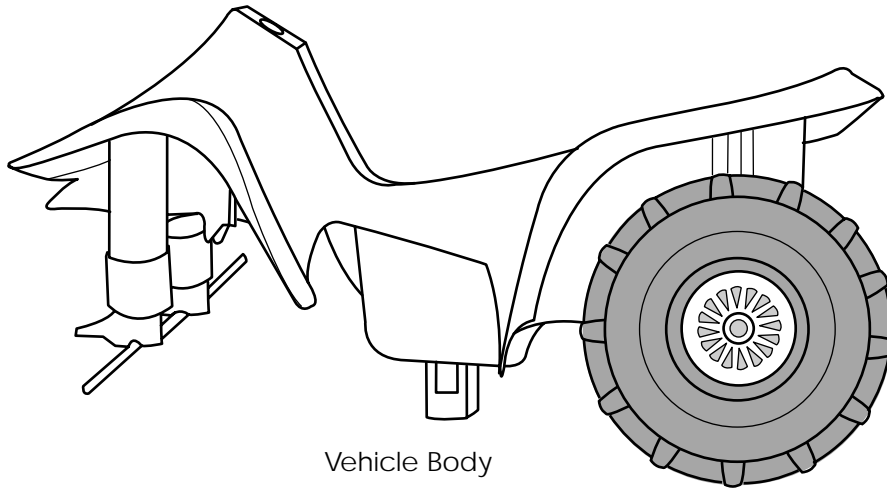
- Carefully read this manual for important safety information and operating instructions before using your vehicle.
- Please complete and return the enclosed Registration Card, or call 1-800-348-0751 to register your vehicle by phone.
- This vehicle is designed for use by children 1 - 3 years.
- Adult assembly is required.
- This vehicle uses a Power Wheels® Type H (4.0 Amp/hr.) battery with a Power Wheels® 25 amp fuse and a Power Wheels® Type H 6 volt charger (120 VAC 60 Hz 6W with an output of 6 VDC 400 mA). **Do not** substitute any other battery, fuse or charger.
- **Before first-time use, charge the battery for at least 18 hours. Never charge the battery longer than 30 hours.**
- After the first charge, charge the battery a minimum of 18 hours after each use. Never charge the battery longer than 30 hours.
- Do not run down the battery completely before charging.
- Leaving the battery in a discharged condition will ruin it.
- Charge the battery before storing your vehicle.
- Charge the battery at least once per month, even if the vehicle has not been used.
- Do not store the battery in temperatures above 75° F or below -10° F.
- Even with proper care, the battery will not last forever. The life of the battery depends on how well you follow the Battery Care instructions and the total number of hours the battery is used. Please refer to the Battery Handling/Care/Disposal instructions on page 24 for detailed information about battery care.
- To purchase a Power Wheels® Type H (4.0 Amp/hr.) battery, Power Wheels® 25 amp fuse or a Power Wheels® Type H 6 volt charger, please contact:
 - an Authorized Service Center (see Authorized Service Center list beginning on page 32).
 - Power Wheels® Consumer Affairs at **1-800-348-0751**.
- While the battery is charging, the charger may become warm to the touch. This is a normal condition and does not indicate a problem.
- This vehicle is suitable for use on grass, asphalt or other hard surfaces. To prevent damage to the motor and switches, do not operate the vehicle on loose dirt, gravel or sand.
- To prevent damage to electrical components, store your vehicle inside or under a protective cover during snowy or rainy weather. Do not leave your vehicle out in the rain or let your child wash it with soap and water.
- The metal parts have been coated with a lubricant to protect them during shipment. Wipe all metal parts with a paper towel to remove any excess lubricant.

C

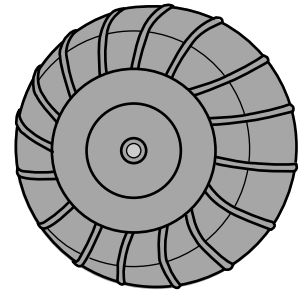
Parts

If you experience a problem with this product, or are missing a part, please call us at **1-800-348-0751**, rather than return this product to the store.

Please save all packaging material until assembly is complete to ensure that no parts are discarded.



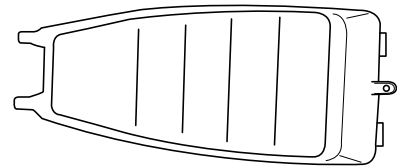
Vehicle Body



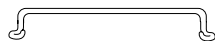
Front Wheel - 2



Steering Column



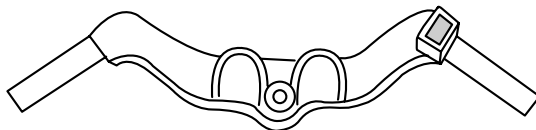
Seat



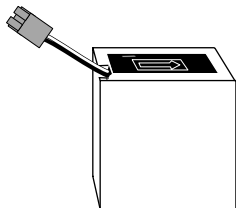
Battery Retainer



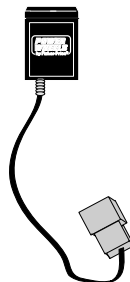
Handlebar Wire Harness



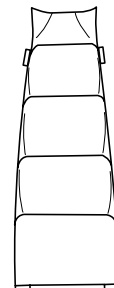
Handlebar



6 Volt Battery with Protective Foam Pocket



Battery Charger



Grille

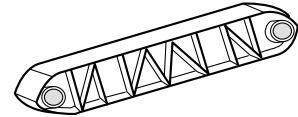
Parts



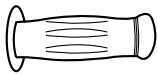
Steering Column
Bushing



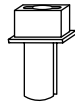
Round Bushing - 2



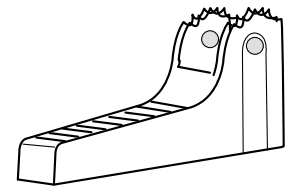
Footrest Support



Handgrip - 2



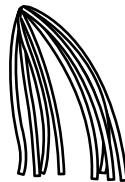
Wheel Bushing - 2



Footrest - 2



25 Amp Fuse - 2*



Handgrip Streamer - 2

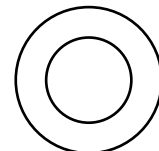
Not Shown: Label Sheet



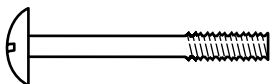
Cap Nut - 5*



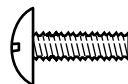
Lock Nut - 2



Washer - 2



#10 x 1 1/4" Bolt - 2



#10 x 1/2" Bolt



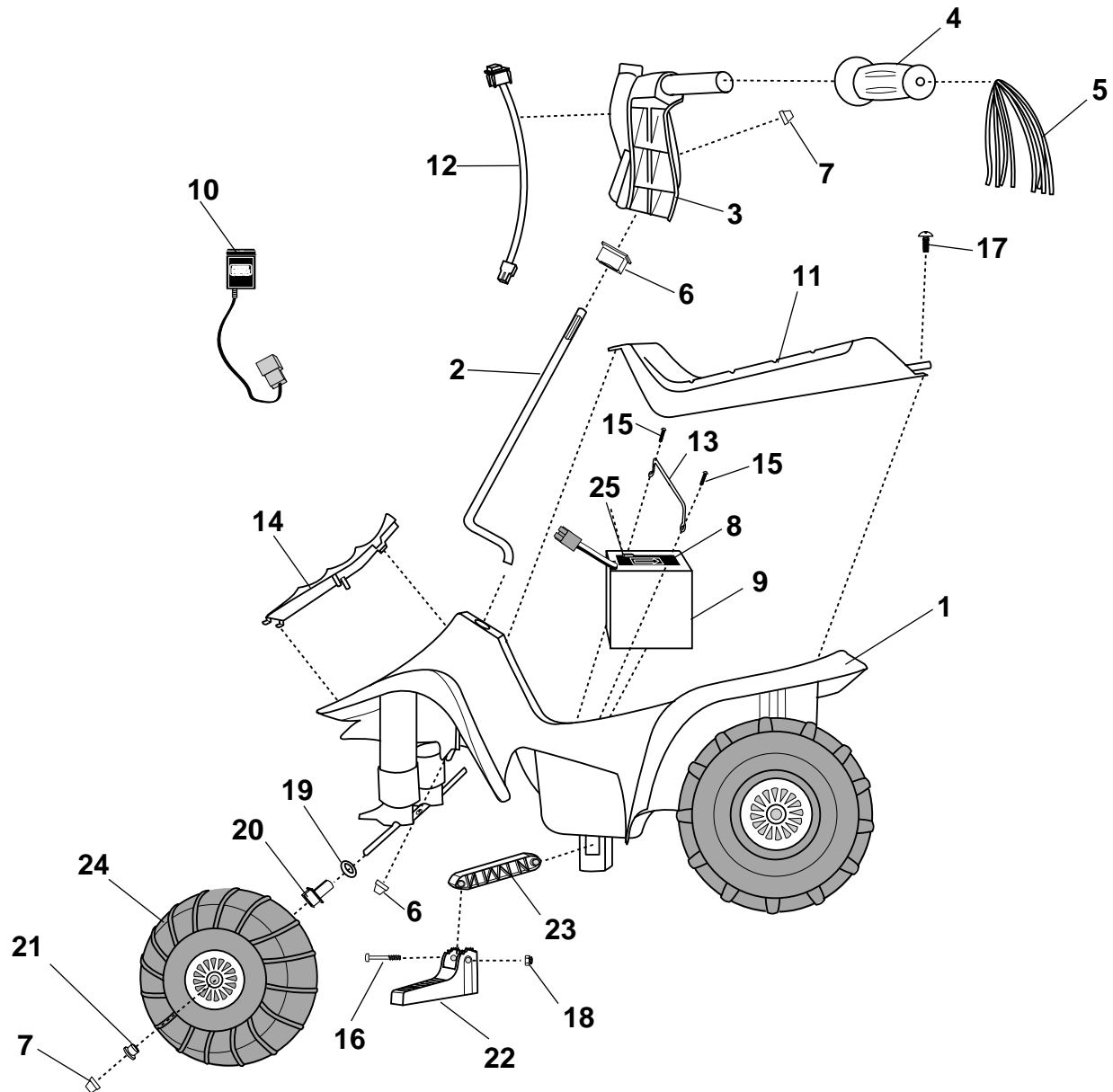
#10 x 7/8" Screw - 2

All Shown Actual Size

*For your convenience, an extra cap nut and an extra 25 amp fuse have been included.

D

Parts Diagram



- | | |
|----------------------------|---------------------------|
| 1. Vehicle Body | 14. Grille |
| 2. Steering Column | 15. #10 x 7/8" Screw - 2 |
| 3. Handlebar | 16. #10 x 1 1/4" Bolt - 2 |
| 4. Handgrip - 2 | 17. #10 x 1/2" Bolt |
| 5. Handgrip Streamer - 2 | 18. Lock Nut - 2 |
| 6. Steering Column Bushing | 19. Washer - 2 |
| 7. Cap Nut - 4 | 20. Wheel Bushing - 2 |
| 8. Battery | 21. Round Bushing - 2 |
| 9. Foam Pocket | 22. Footrest - 2 |
| 10. Charger | 23. Footrest Support |
| 11. Seat | 24. Front Wheel - 2 |
| 12. Handlebar Wire Harness | 25. 25 Amp Fuse |
| 13. Battery Retainer | Not Shown: Label Sheet |

E

First-Time Battery Charging

We recommend that you start charging your battery before beginning assembly of your vehicle. **Your new battery must be charged for at least 18 hours before you use your vehicle for the first time.**



WARNING

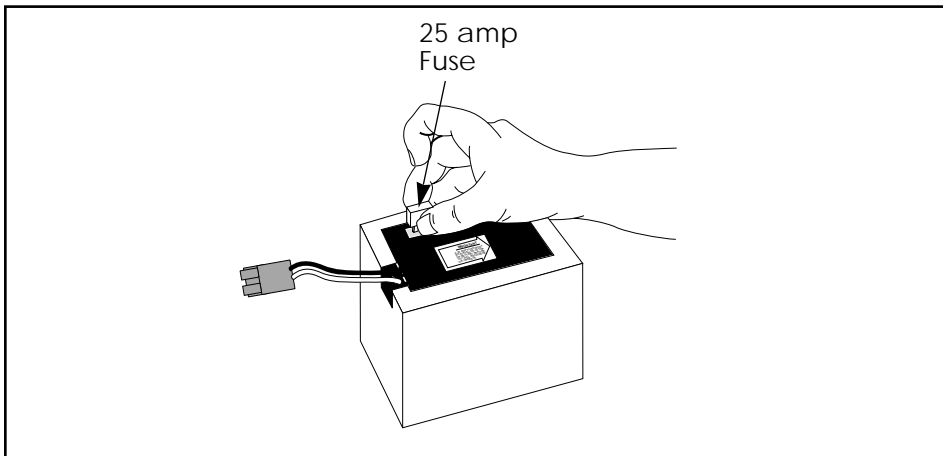
- The battery must be handled by adults only.
- Never lift or carry the battery by the wires or connector. This can damage the battery and possibly cause a fire. Lift and carry the battery by the case only.
- Never permit a child to handle the battery. The battery is heavy and contains sulfuric acid (electrolyte) and, if dropped, could result in serious injury. Read the cautions on the back panel of the battery.
- Never allow children to charge the battery. Battery charging must be done by adults only. A child could be injured by the electricity involved in charging the battery.
- Use of the wrong type battery, fuse or charger could cause a fire or explosion, resulting in serious injury.
- Examine the battery, charger and their connectors for excessive wear or damage to the plug, cord, enclosure or other parts each time you charge the battery. If damage or excessive wear is detected, do not use the charger or the vehicle until the damage has been repaired.
- Never alter this vehicle or its electrical system in any way. Alterations could cause a fire resulting in injury and could also ruin the electrical system.



CAUTION

- Do not operate the vehicle for the first time until you have inserted a 25 amp fuse into the battery and charged the battery for at least 18 hours. Never charge the battery longer than 30 hours.
- Read and follow the Battery Care instructions to obtain the best battery life. Failure to follow the Battery Care instructions may permanently damage your battery and may void your warranty.
- Use the charger indoors only.

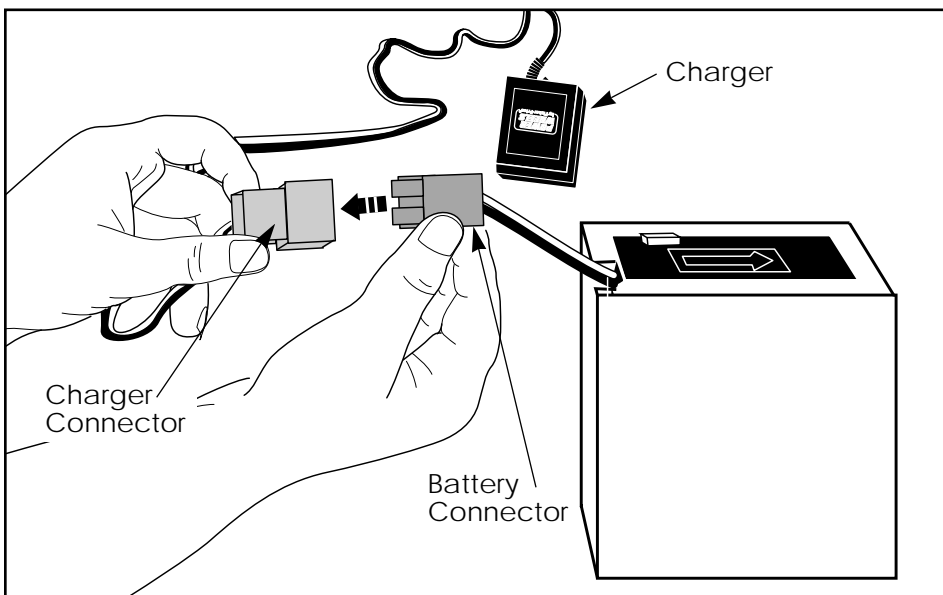
First-Time Battery Charging



1

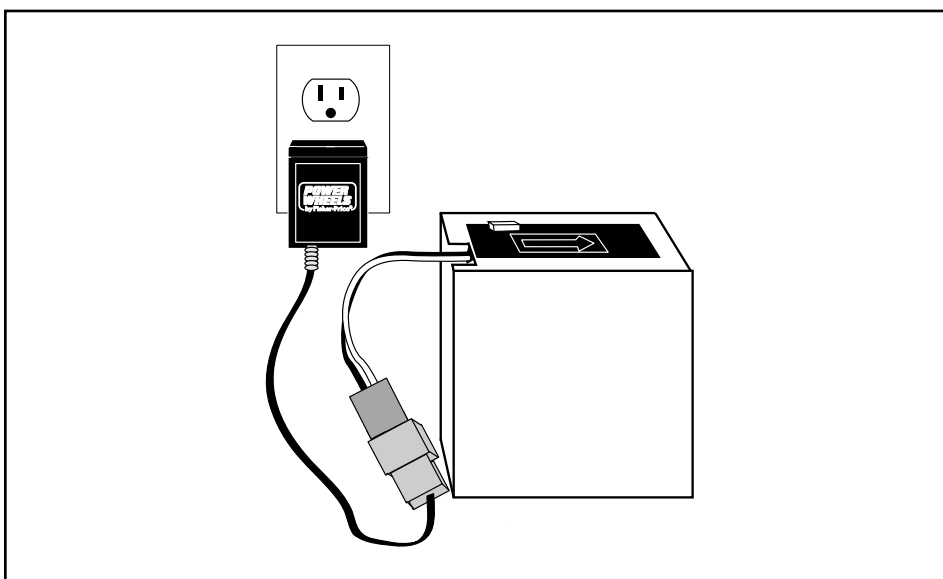
- Insert a 25 amp fuse into the battery. **Do not remove the battery from its protective foam pocket.**

Note: The top of the fuse will not be flush with the top of the battery when properly installed.



2

- Plug the charger connector into the battery connector.



3

- Plug the charger into a standard 120 volt wall outlet.

Note: If power flow to the wall outlet is controlled by a switch, make sure the switch is "ON".

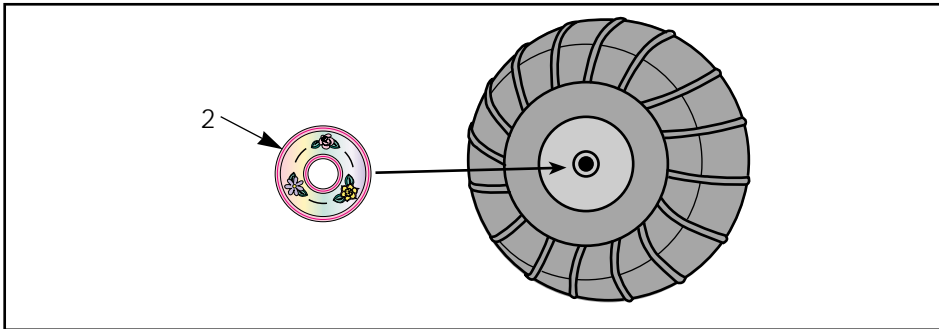
- Before first time use, charge the battery for **at least 18 hours**. Never charge the battery longer than 30 hours.

Note: The battery must be upright while charging.

F

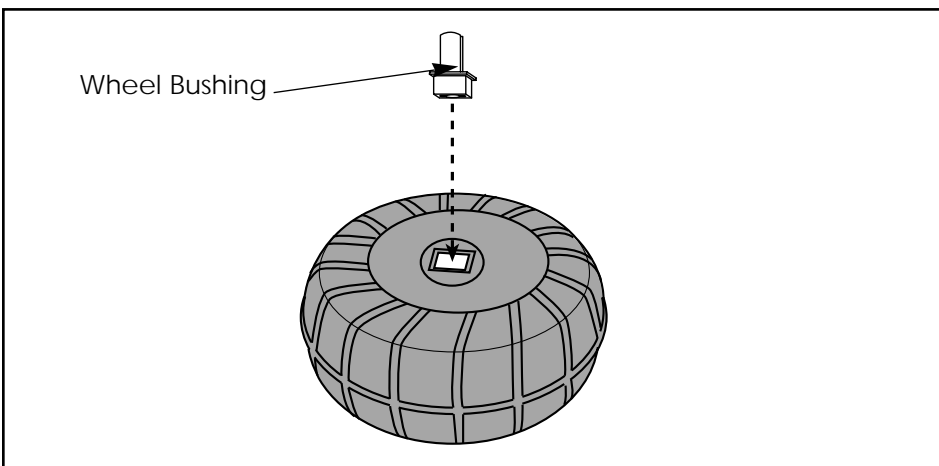
Assembly

Do Not Omit Any Steps.



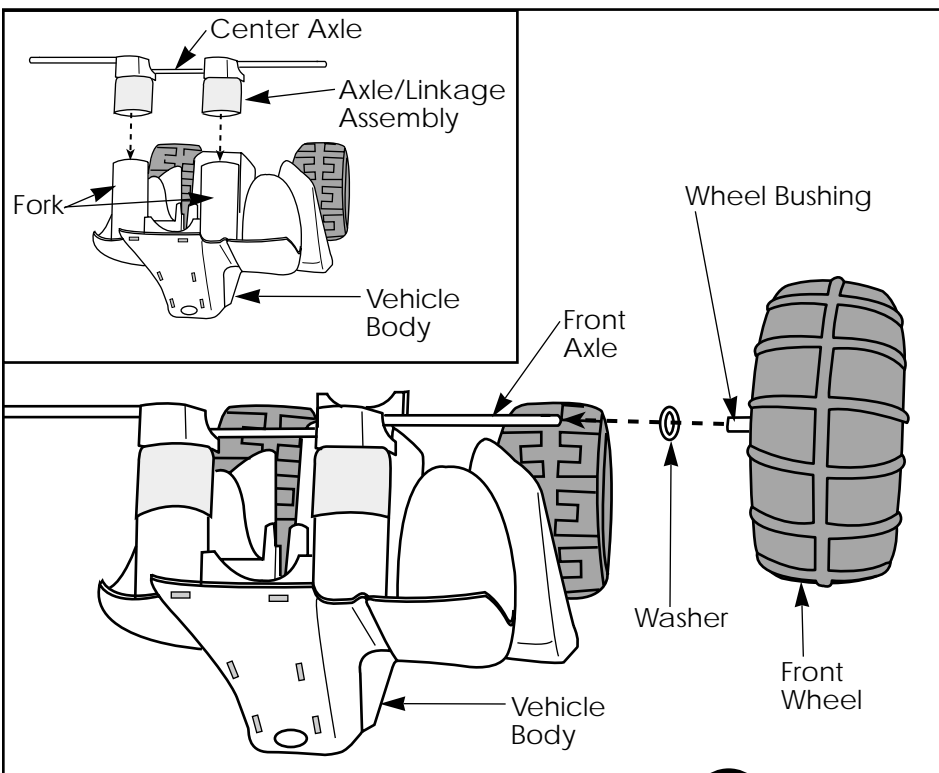
1

- Apply label #2 to the recessed circle on each front wheel, as shown.



2

- Turn the front wheels over.
- Fit a wheel bushing into the rectangular opening in each front wheel.

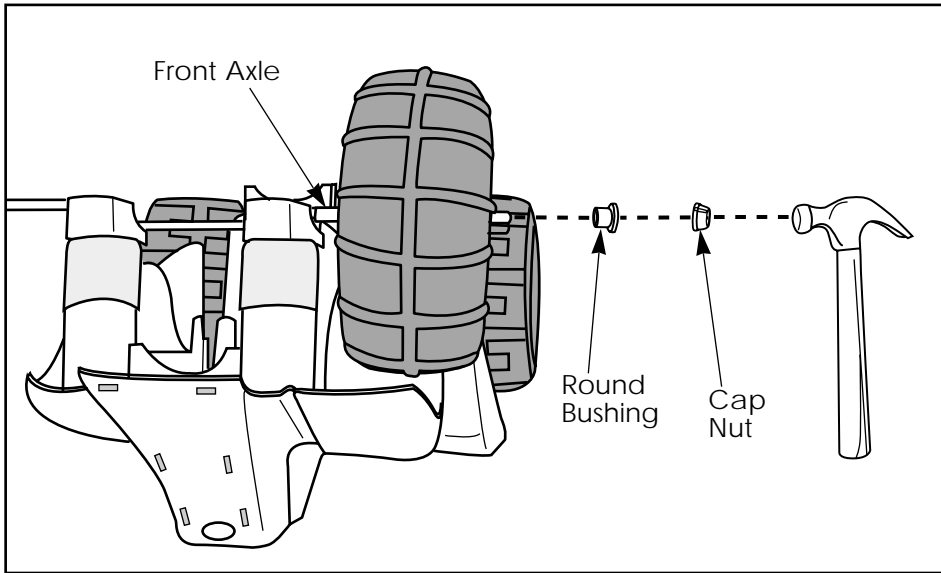


3

Please Note: If the axle/linkage assembly has detached from the vehicle body during shipment, please fit it back onto the fork on the front of the vehicle body. Make sure the center axle is toward the rear of the vehicle.

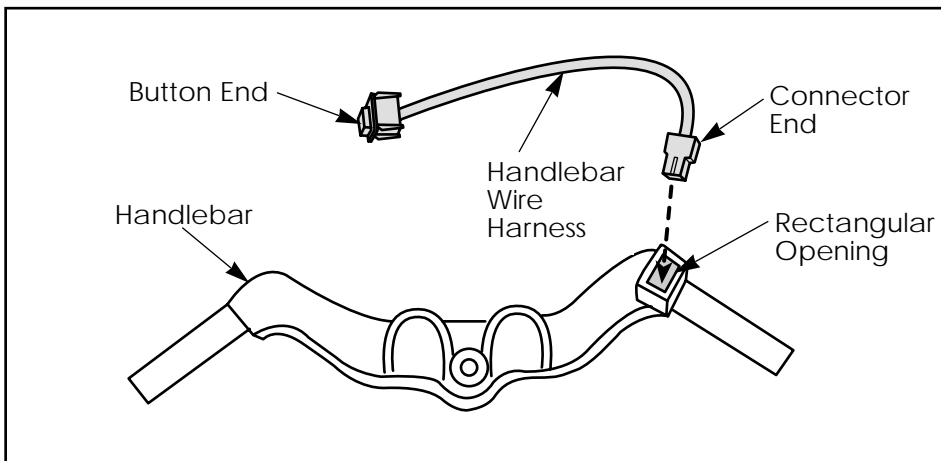
- Turn the vehicle body upside down.
- Fit a washer onto one end of the front axle.
- Slide the front wheel, bushing side first, onto the front axle.

Assembly



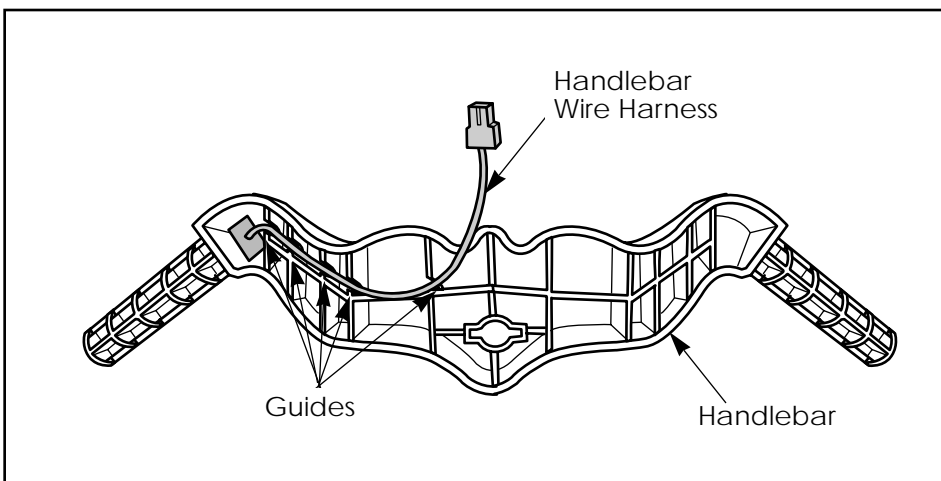
4

- Slide a round bushing onto the front axle and press it into the center of the front wheel.
- Fit a cap nut onto the end of the front axle.
- Tap the cap nut with a hammer to secure it on the front axle.
- Repeat assembly steps 3 and 4 to assemble the other front wheel to the other side of the front axle.
- Position the vehicle body upright.



5

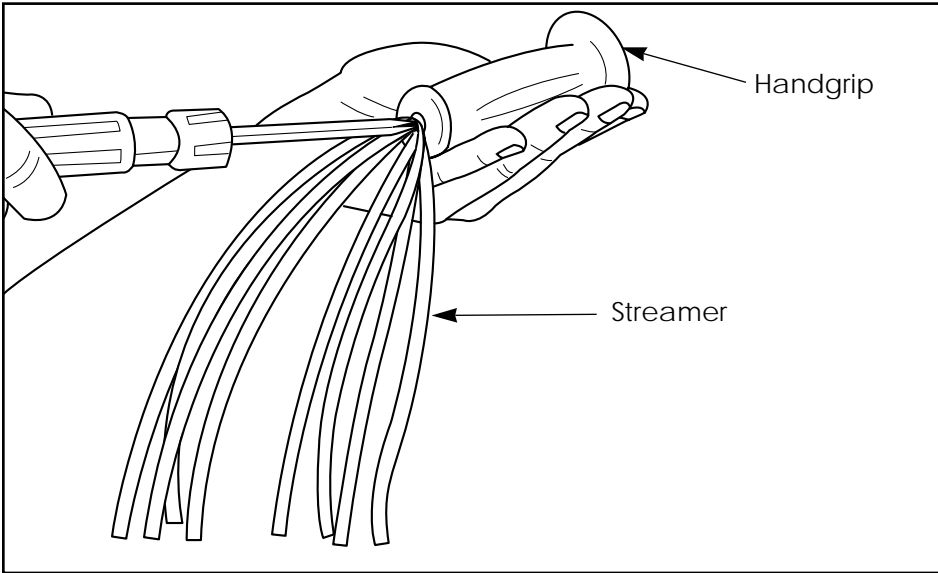
- Insert the connector end of the handlebar wire harness into the rectangular opening in the handlebar.
- Feed the handlebar wire harness through the handlebar.
- Push firmly on the button end of the handlebar wire harness to snap it into the rectangular opening.



6

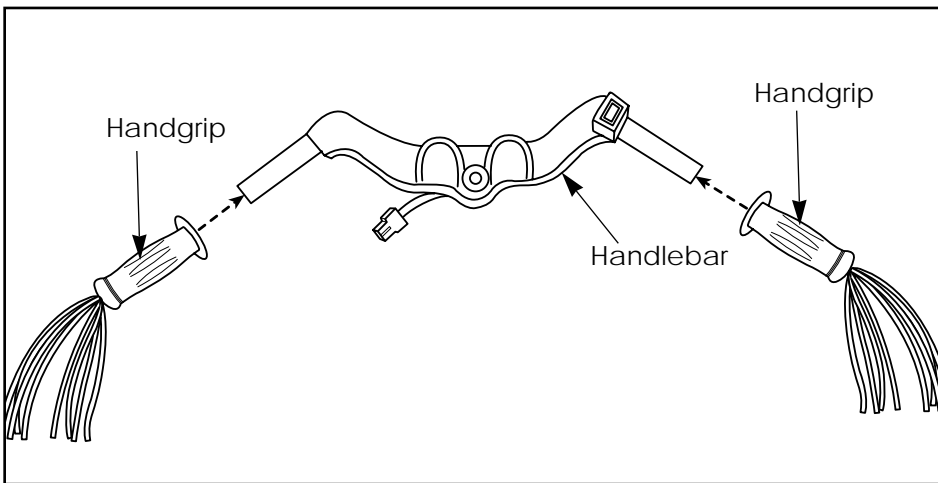
- Turn the handlebar upside down.
- Align the handlebar wire harness with the guides on the underside of the handlebar.
- Push firmly on the handlebar wire harness near each of the guides to secure the wire in the underside of the handlebar.

Assembly



7

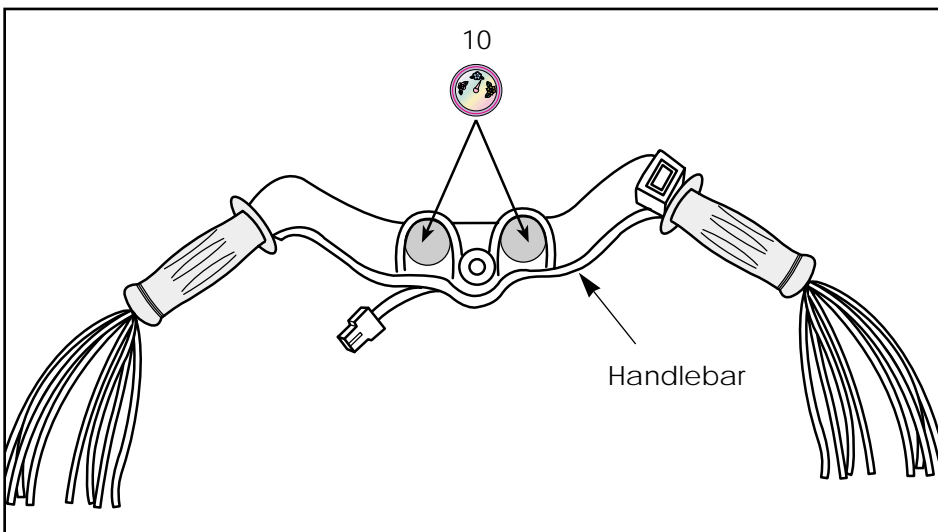
- Using the tip of a slotted screwdriver, press the metal retainer on a handgrip streamer into the hole in a handgrip, as shown.
- Repeat this procedure to attach the other handgrip streamer to the other handgrip.



8

- Position the handlebar upright.
- Fit a handgrip onto each end of the handlebar.

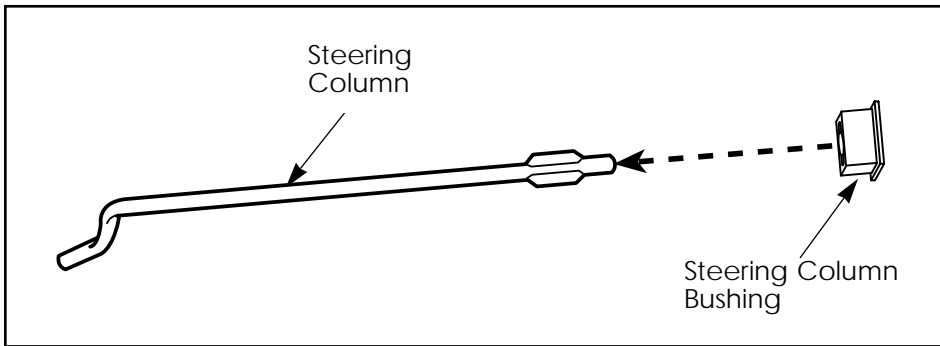
Helpful Hint: If the handgrips are difficult to slide onto the handlebar, moisten the handgrips with warm water before fitting them onto the handlebar.



9

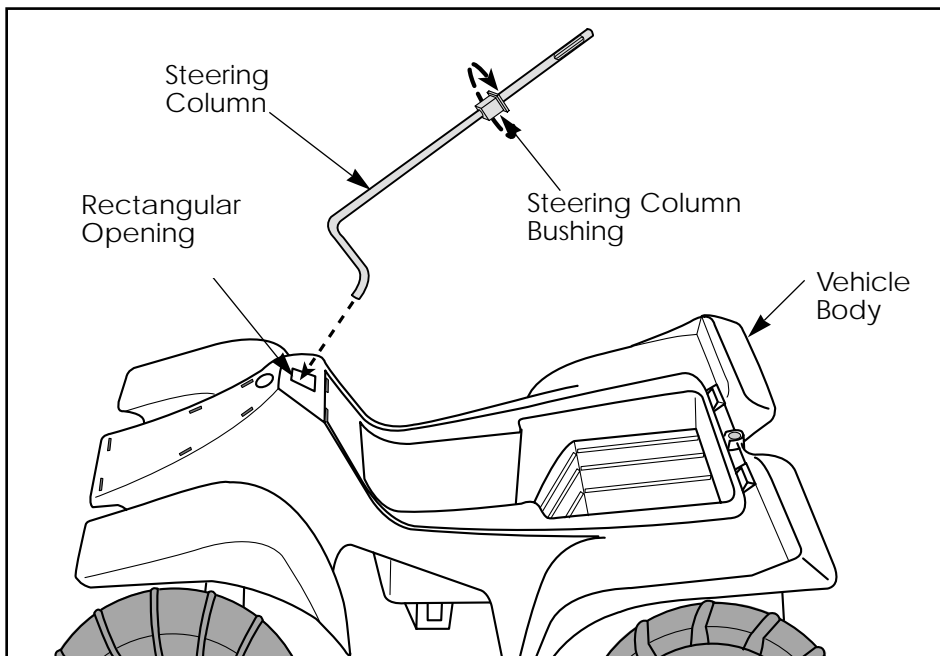
- Apply label #10 to the handlebar, as shown.

Assembly



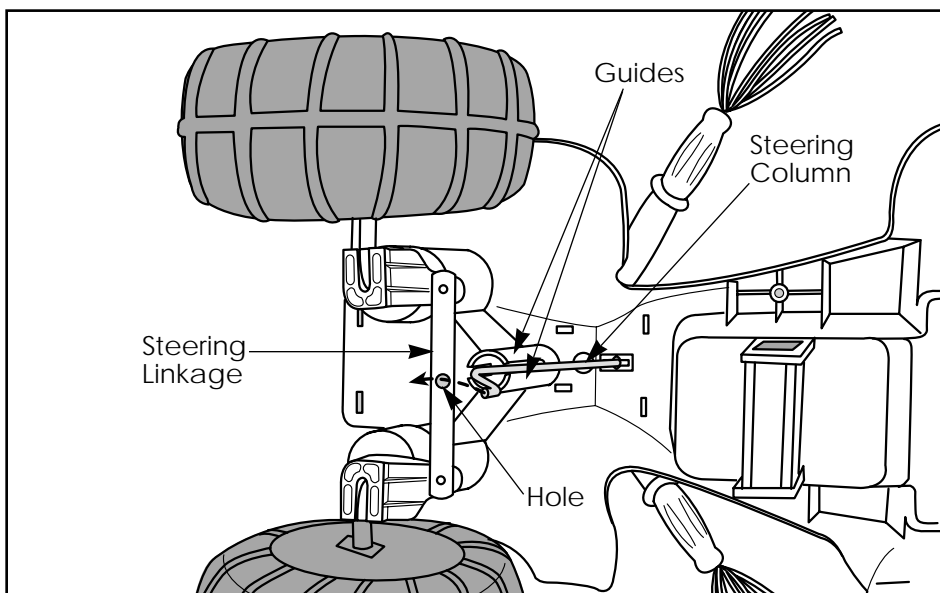
10

- Wipe the steering column with a paper towel to remove any dirt or oils.
- Fit the steering column bushing onto the straight end of the steering column.



11

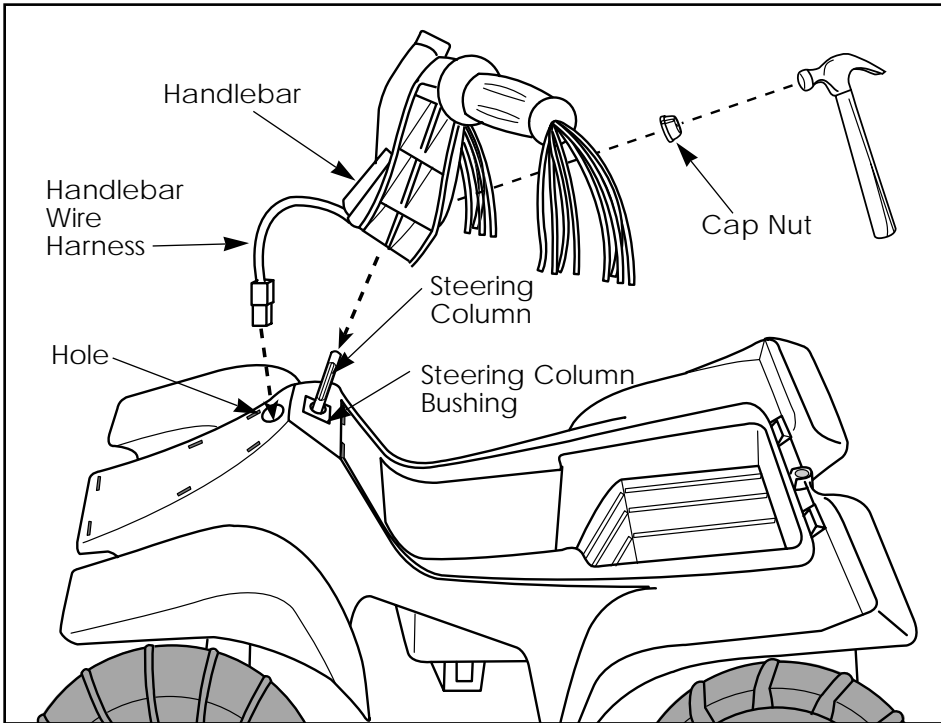
- Insert the curved end of the steering column through the rectangular opening in the vehicle body.
- Rotate the steering column bushing $\frac{1}{4}$ turn and fit it into the rectangular opening in the vehicle body.



12

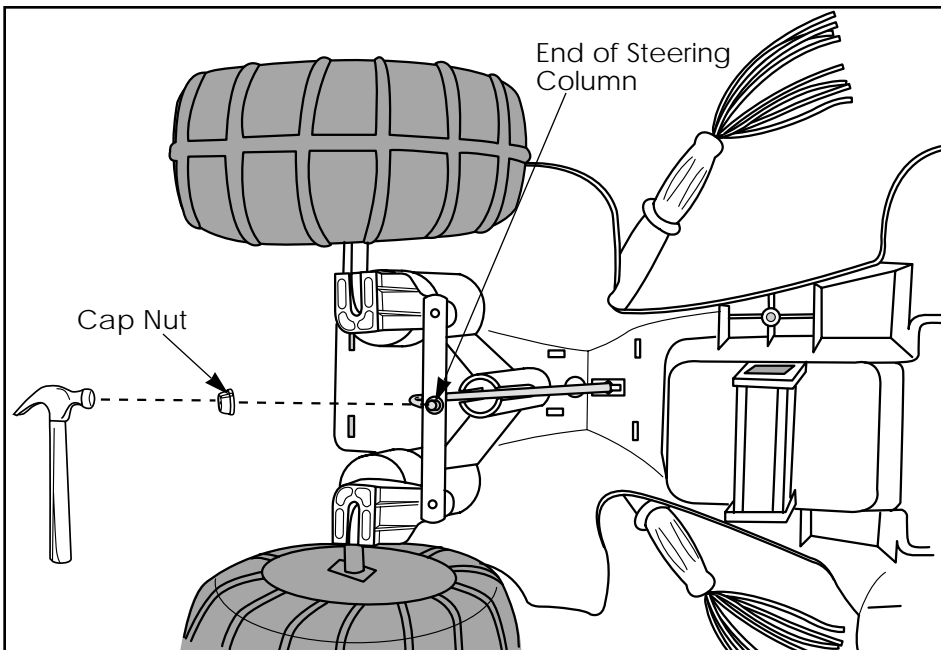
- Turn the vehicle body on its side.
- Insert the curved end of the steering column into the hole in the steering linkage. **Make sure the steering column is positioned between the guides on the underside of the vehicle body.**

Assembly



13

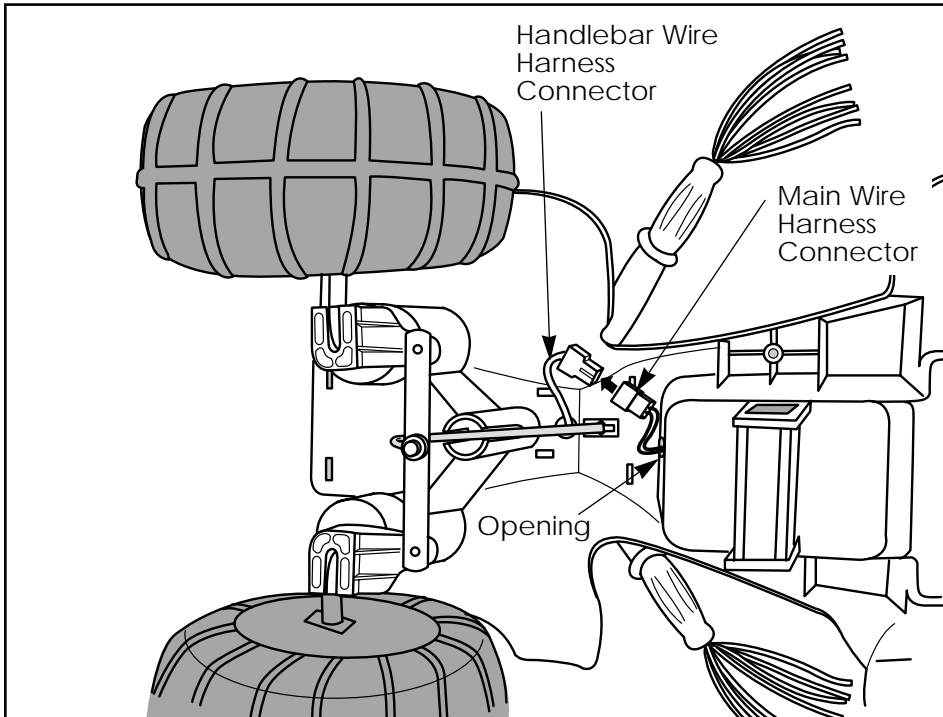
- Position the vehicle body upright.
- While fitting the handlebar onto the end of the steering column, insert the end of the handlebar wire harness through the hole in the front of the vehicle body.
- Fit a cap nut onto the end of the steering column.
- Tap the cap nut with a hammer to secure it on the end of the steering column.



14

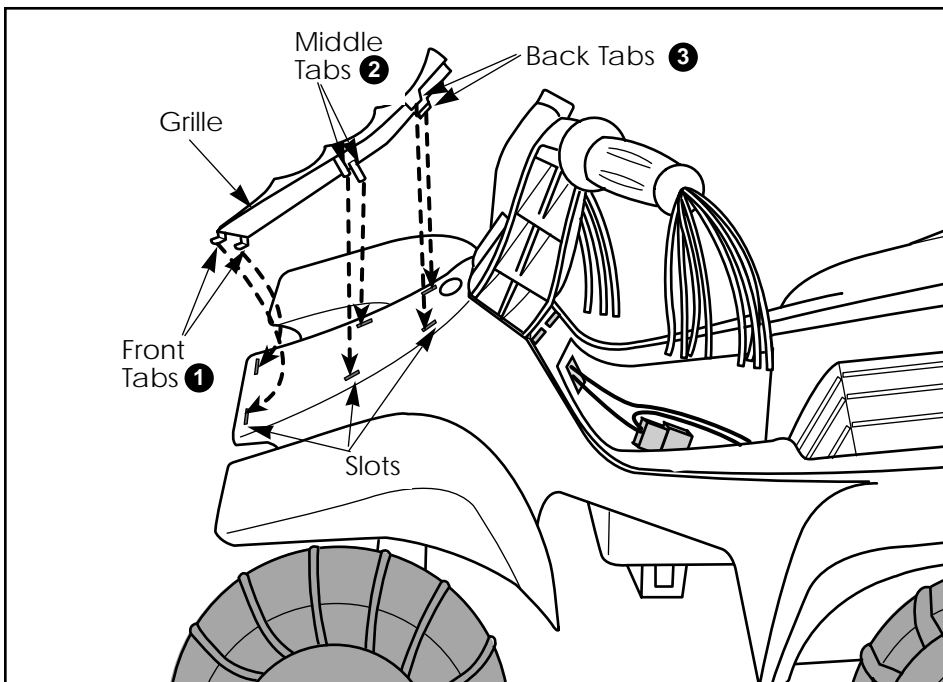
- Turn the vehicle body on its side.
- Fit a cap nut on the end of the steering column.
- Tap the cap nut with a hammer to secure it on the end of the steering column.

Assembly



15

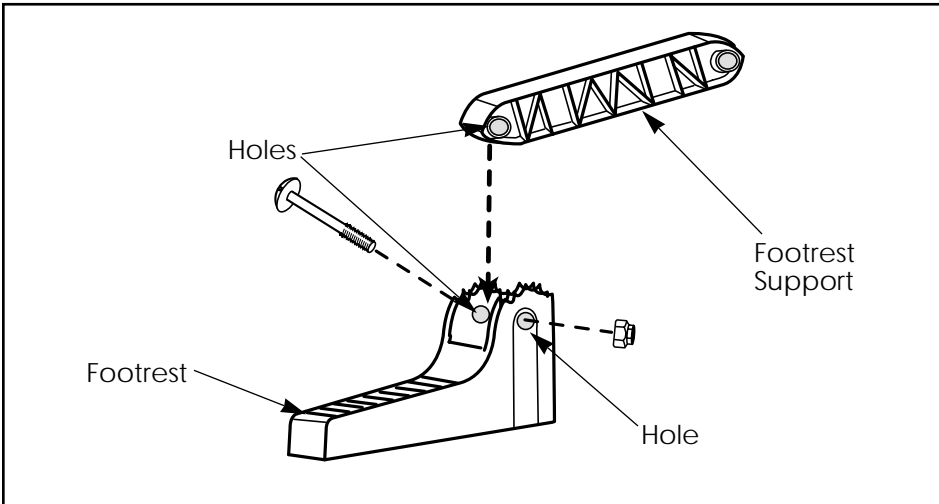
- Insert the wire connector on the main wire harness through the large opening in the center of the vehicle body.
- Plug the main wire harness connector and the handlebar wire harness connector together.



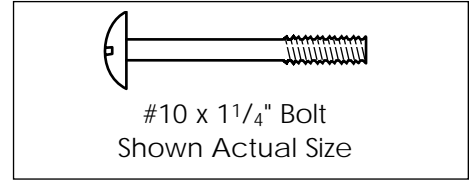
16

- Position the vehicle body upright.
- Fit the front tabs on the grille into the slots in the front of the vehicle body **1**.
- Press firmly to snap the front tabs into the slots.
- Press firmly on the middle of the grille to snap the middle tabs into the slots **2**.
- Press firmly near the back of the grille to snap the back tabs into the slots **3**.

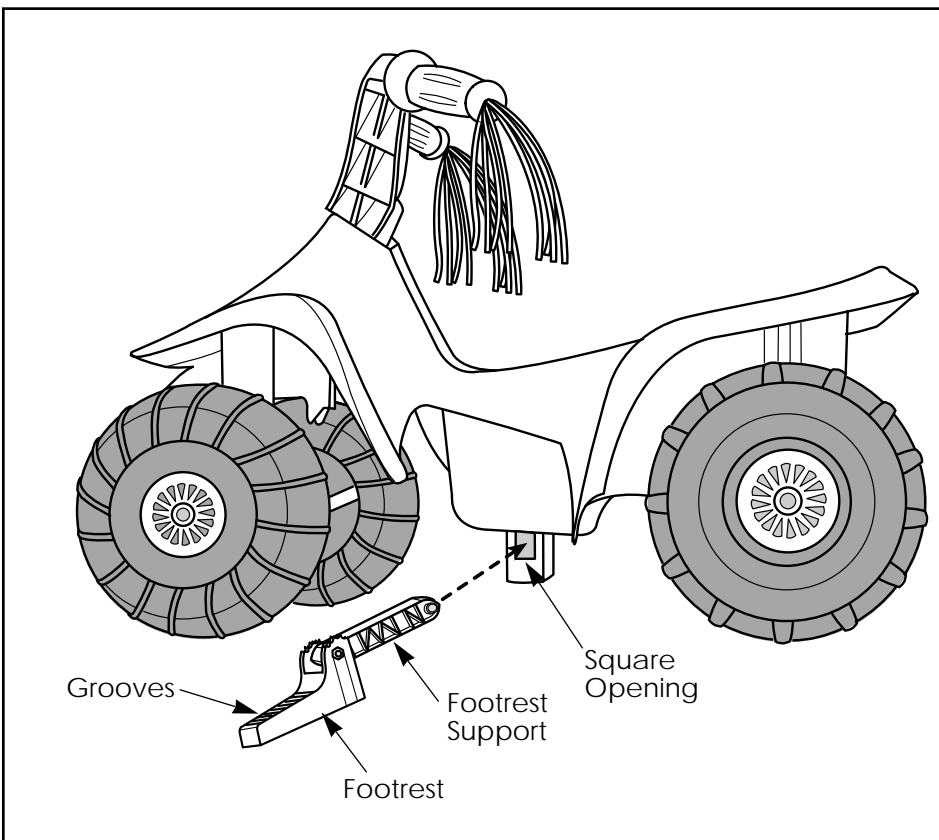
Assembly



17



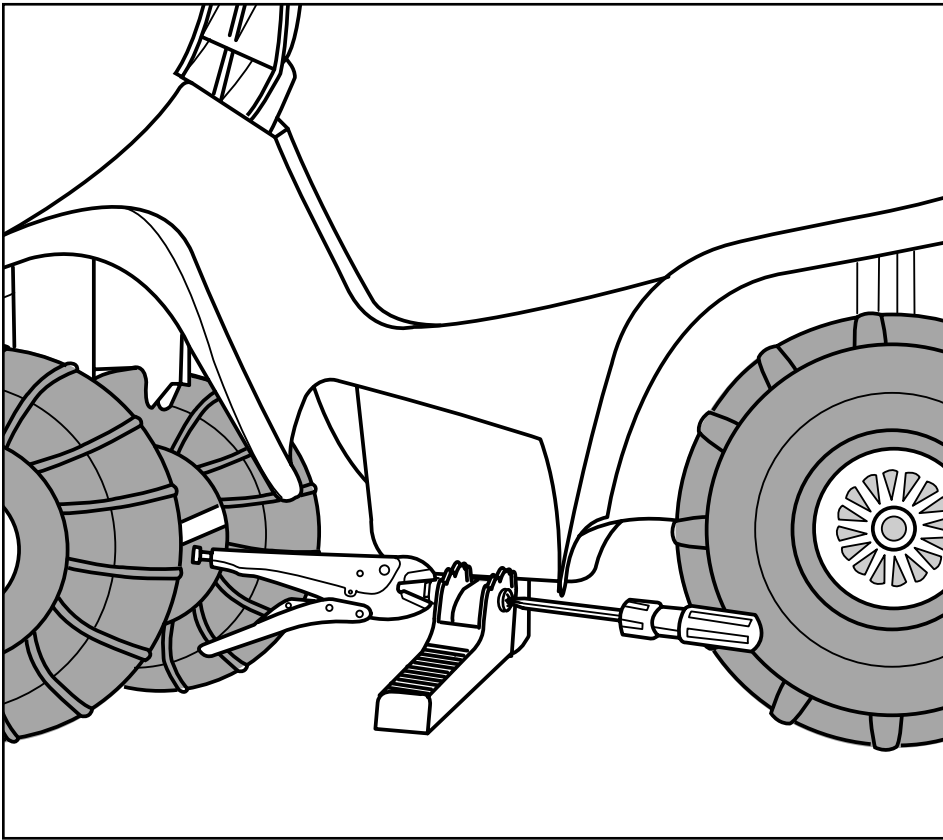
- Align the holes in a footrest with the holes in one end of the footrest support.
- Insert a #10 x 1 1/4" bolt through the footrest and footrest support.
- Fit a lock nut onto the end of the bolt and hand-tighten it.



18

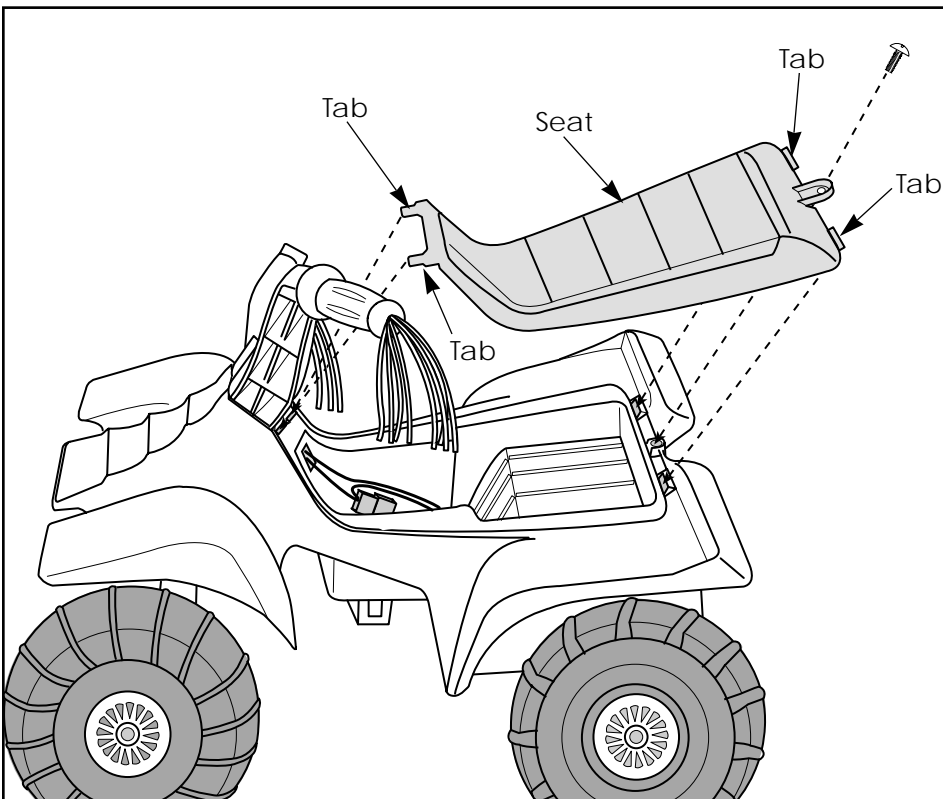
- Insert the footrest support through the square opening at the bottom of the vehicle body. **Make sure the grooves on the footrest face up.**
- Align the holes in the other footrest with the holes on the other side of the footrest support and repeat assembly step 16 on the other side of the footrest support.

Assembly

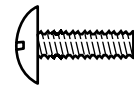


19

- Using a Phillips screwdriver to steady the screw and pliers to grip the lock nut, continue to tighten the bolt and lock nut on each footrest.



20



#10 x 1/2" Bolt
Shown Actual Size

Please Note: If you have already charged your Power Wheels® Type H battery for at least 18 hours, you may want to install it in the battery compartment before assembling the seat to your vehicle. Please refer to the Battery Installation section beginning on page 20 for instructions.

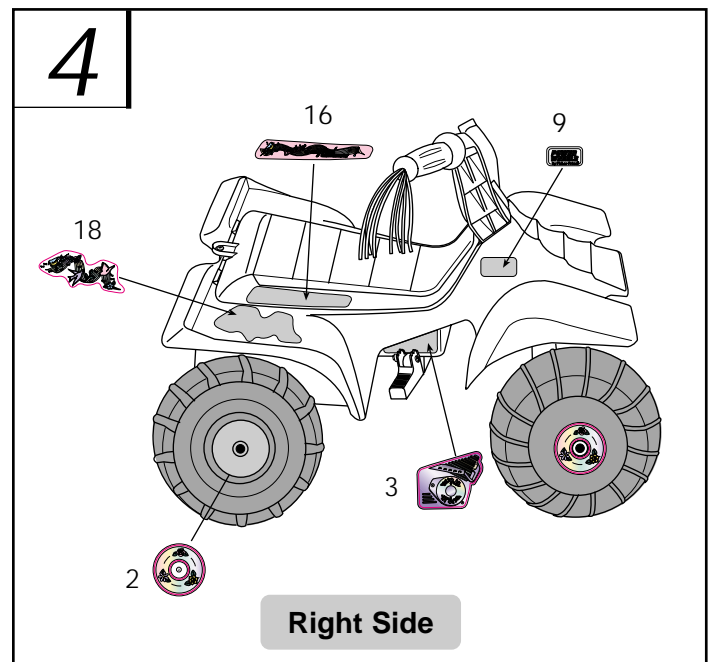
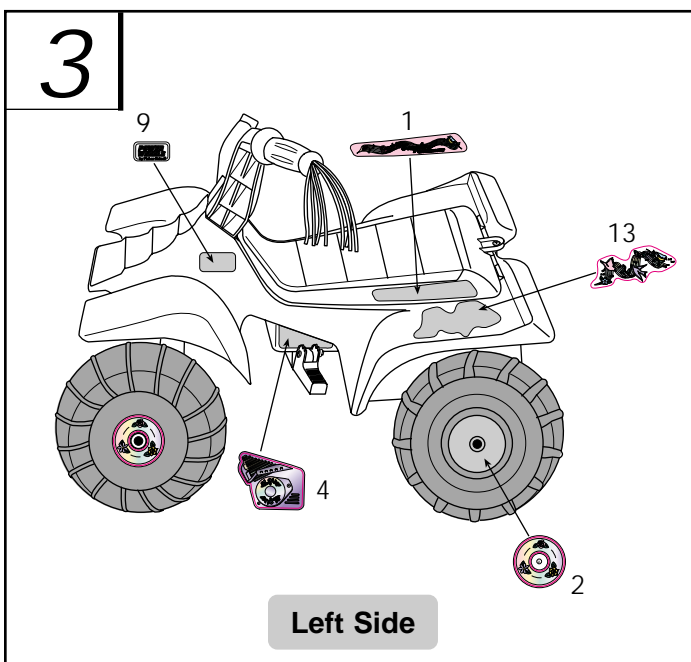
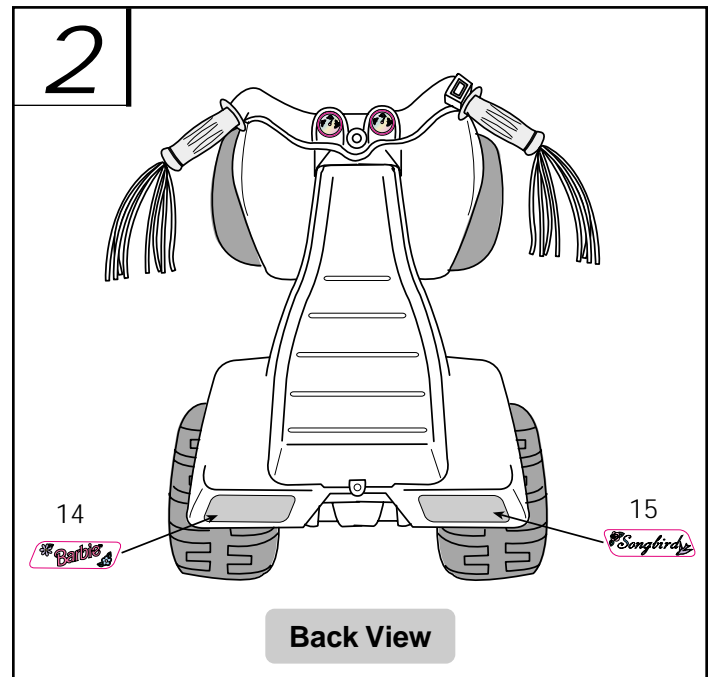
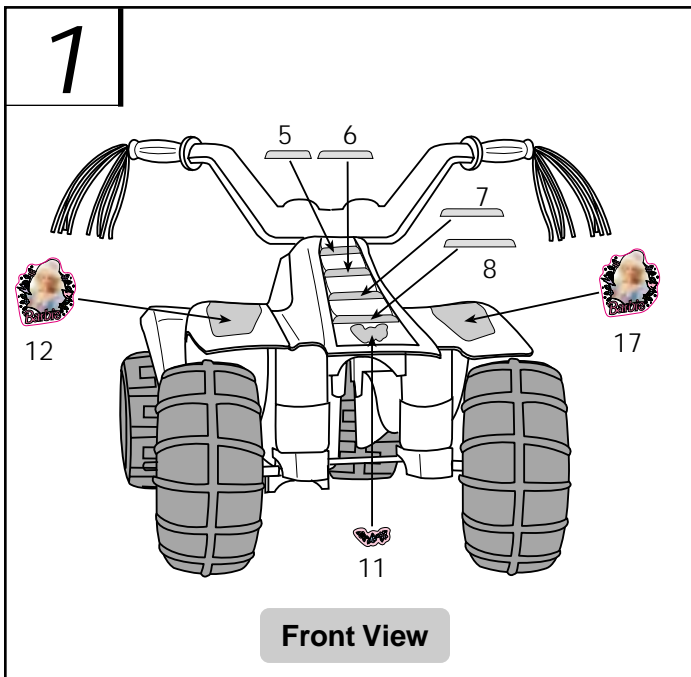
- Insert the tabs on the front of the seat into the slots in the vehicle body.
- Press down on the back of the seat to snap the tabs on the back of the seat into the slots in the vehicle body.
- Insert a #10 x 1/2" bolt into the seat and tighten the bolt with a Phillips screwdriver. Do not over-tighten.

G

Label Decoration

Proper label application will help to keep the labels looking their best!

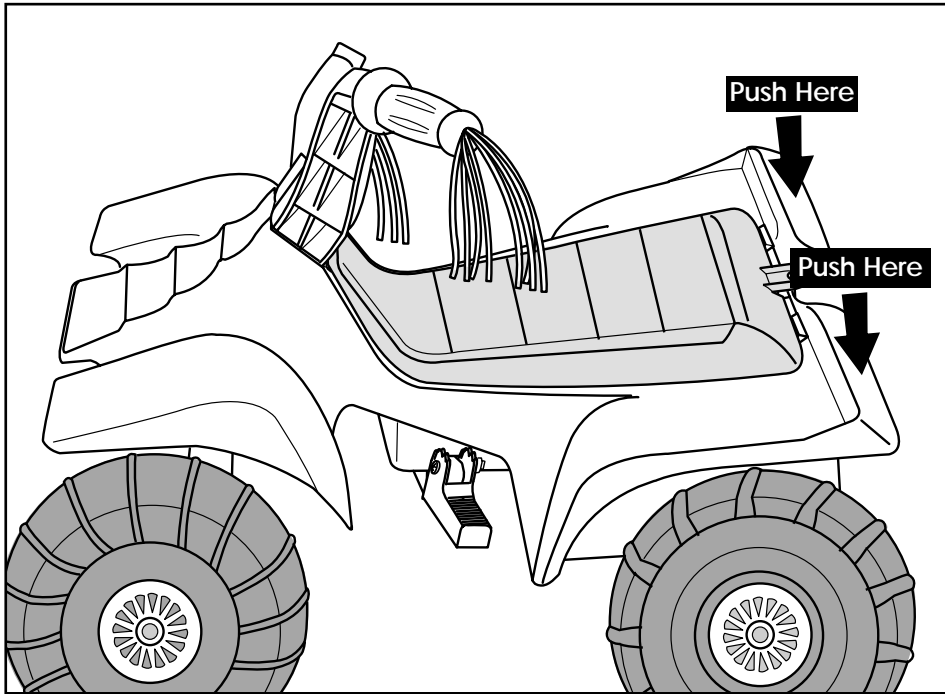
- Wash your hands before applying the labels.
- Make sure the areas where the labels will be applied are clean and dry. Wipe your vehicle with a clean, soft, dry cloth to remove any dust or oils.
- For best results, avoid repositioning a label once it has been applied to the vehicle.
- Apply the labels as shown in the illustrations.
- **After applying each label, rub the label firmly with a clean, dry cloth to make sure the label is adhered to your vehicle.**



H

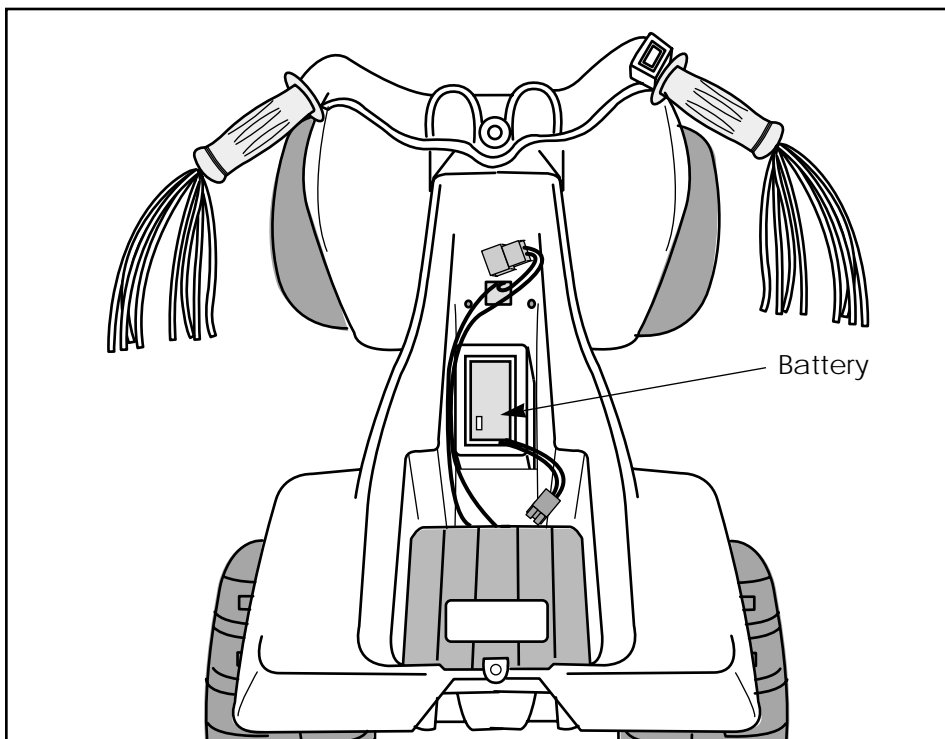
Battery Installation

Important Note: Use only a Power Wheels® Type H (4 Amp/hr.) battery with a Power Wheels® 25 amp fuse installed. Use of any other battery or fuse will damage your vehicle. Make sure that you charge the battery for at least 18 hours using the enclosed Power Wheels Type H 6 Volt charger before operating your vehicle for the first time. Charge the battery for at least 18 hours after each use of the vehicle. Never charge the battery longer than 30 hours. Failure to follow these instructions may damage your battery and will void your warranty.



1

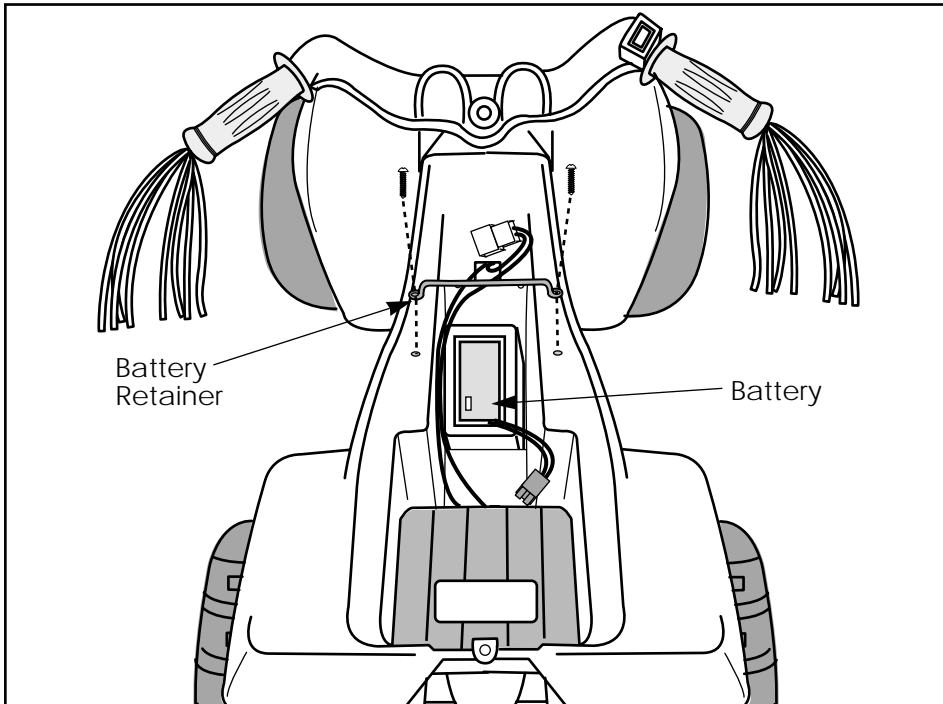
- Loosen the bolt in the seat with a Phillips screwdriver.
- Remove the bolt and set it aside for re-assembly of the seat.
- Push firmly on one of the back fenders while pulling up on the same side of the back of the seat to release the tab on the seat from the slot in the vehicle body.
- Repeat this procedure on the other side of the seat.
- Lift the seat to remove it from the vehicle body.



2

- Place the Power Wheels® Type H battery upright in the battery compartment. **Do not remove the battery from its protective foam pocket.** Make sure the battery connector extends toward the rear of the vehicle.
- Make sure a Power Wheels 25 amp fuse in good condition is installed in the battery.

Battery Installation

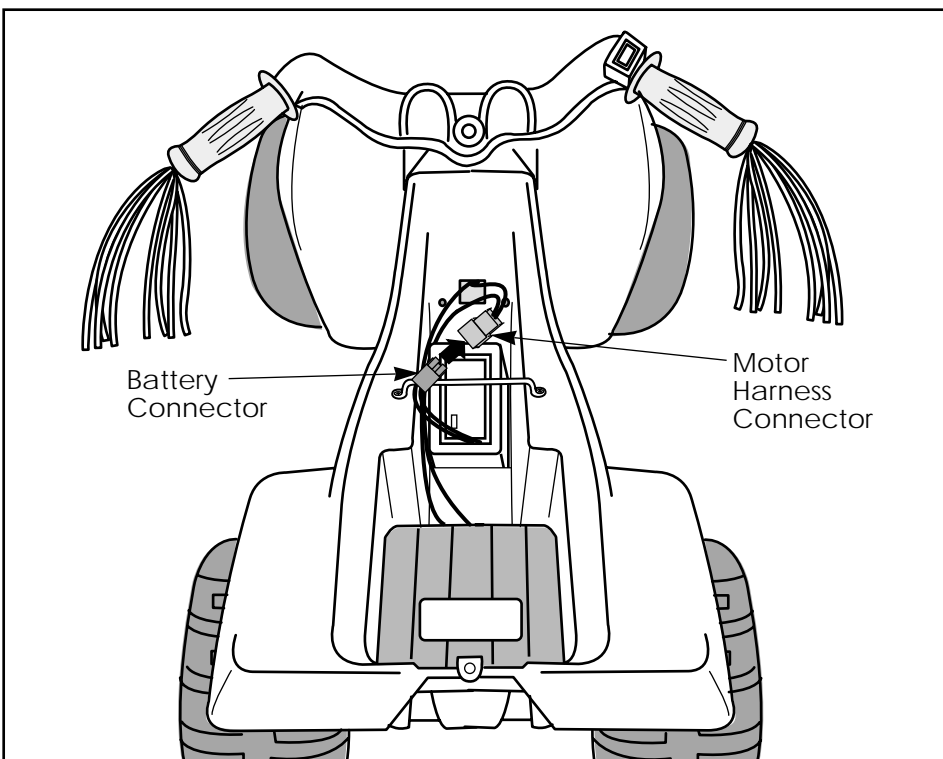


3



#10 x 7/8" Screw – 2
Shown Actual Size

- Position the battery retainer over the battery with the ends of the battery retainer aligned with the screw holes in the vehicle body.
- Insert two #10 x 7/8 screws through the ends of the battery retainer and into the vehicle body.
- Tighten the screws with a Phillips screwdriver. Do not over-tighten.



4

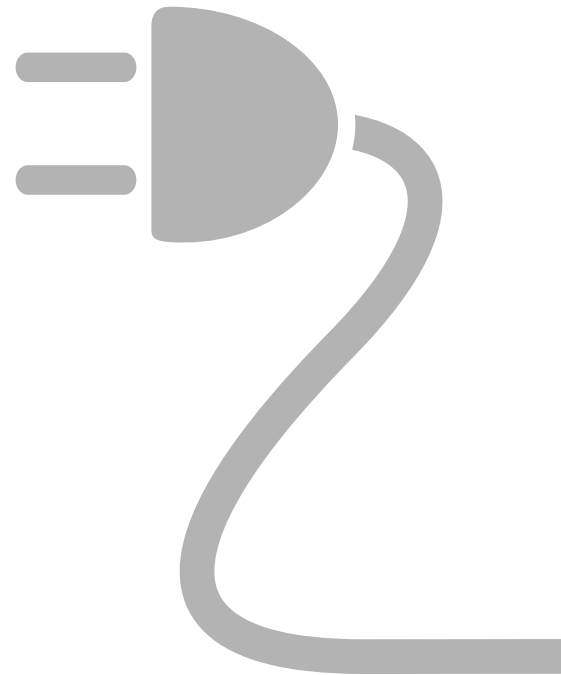
- Plug the battery connector into the motor harness connector.
- Note:** If the battery connector will not plug into the motor harness connector, turn it over and try again! Do not force the battery connector into the motor harness connector.
- Re-assemble the seat to the vehicle body. (See assembly step 19 on page 18).

Important Note: Always remember to replace the bolt in the seat to prevent children from accessing the battery.

Charging the Battery

WARNING

- The battery must be handled by adults only.
- Never lift or carry the battery by the wires or connector. This can damage the battery and possibly cause a fire. Lift and carry the battery by the case only.
- Never permit a child to handle the battery. The battery is heavy and contains sulfuric acid (electrolyte) and, if dropped, could result in serious injury. Read the cautions on the back panel of the battery.
- Never allow children to charge the battery. Battery charging must be done by adults only. A child could be injured by the electricity involved in charging the battery.
- Use of the wrong type battery, fuse or charger could cause a fire or explosion, resulting in serious injury.
- Examine the battery, charger and their connectors for excessive wear or damage to the cord, plug, enclosure or other areas each time you charge the battery. If damage or excessive wear is detected, do not use the vehicle until the damage has been repaired.
- Never alter this vehicle or its electrical system in any way. Alterations could cause a fire resulting in injury and could also ruin the electrical system.

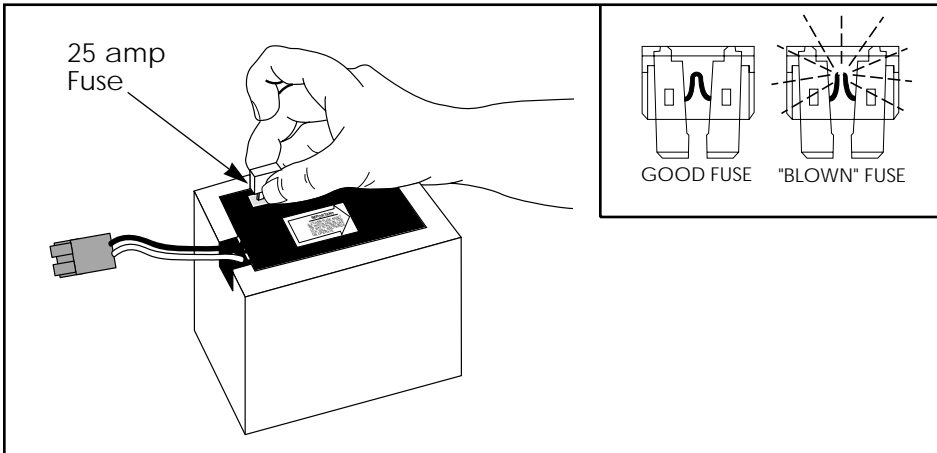


CAUTION

- Carefully read the Battery Care instructions to obtain the best battery life. Failure to follow the Battery Care instructions may permanently damage your battery and will void your warranty.
- Use the charger indoors only.

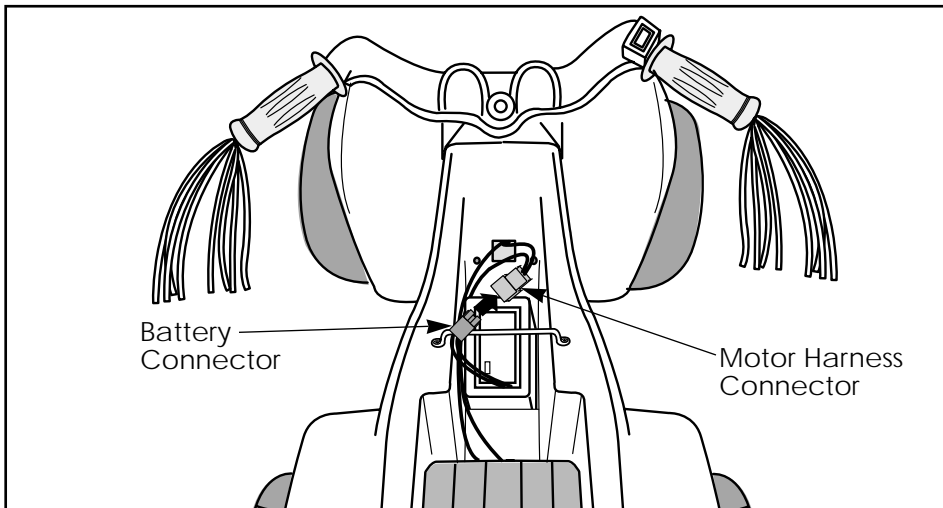
Charging the Battery

Important Note: The battery must be upright while charging. You do not have to remove the battery from the vehicle to charge it. Do not remove the battery from its protective foam pocket.



1

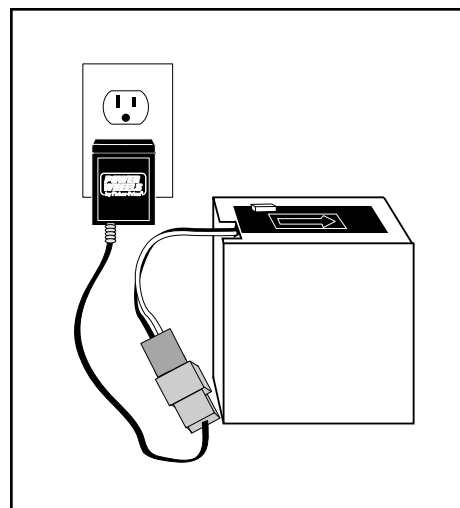
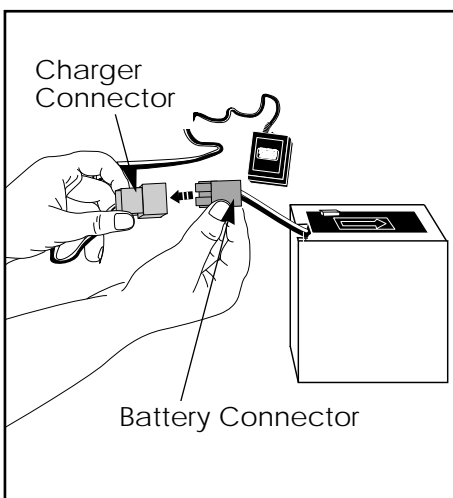
- Remove the seat to access the battery. (See Battery Installation Step 1 on page 20).
- Use pliers to remove the 25 amp fuse from the battery.
- Look at the fuse to make sure it has not blown. If the fuse has blown, replace it with a new Power Wheels 25 amp fuse.
- Re-insert the fuse into the battery before charging. The battery will not charge if a 25 amp fuse in good condition is not inserted into the battery.



2

- Unplug the motor harness connector from the battery connector.

3



- Plug the charger into a standard 120 volt wall outlet.
- Please Note:** If power to the outlet is controlled by a wall switch, make sure the switch is "ON".
- Charge the battery a minimum of 18 hours after each use. Never charge the battery longer than 30 hours. Overcharging or undercharging the battery may shorten its life and decrease vehicle running time.
 - Once the battery is charged, reconnect the battery and motor harness connector and re-assemble the seat to the vehicle body.

Important Note: Always remember to replace the bolt in the seat to prevent children from accessing the battery.

J

Battery Handling/Care/Disposal



WARNING

- The battery must be handled by adults only.
- Never lift or carry the battery by the wires or connector. This can damage the battery and possibly cause a fire. Lift and carry the battery by the case only.
- Never permit a child to handle the battery. The battery is heavy and contains sulfuric acid (electrolyte) and if dropped could result in serious injury. Read the cautions on the back panel of the battery.

Handling

If a battery leak develops:

- Avoid contact with the leaking acid.
- Place the damaged battery in a plastic bag. See information below for proper disposal.

If acid comes in contact with skin or eyes:

- Flush with cool water for at least 15 minutes.
- Call a physician.

If acid is internally ingested:

- Give water, milk of magnesia or egg whites immediately.
- Never give emetics or induce vomiting.
- Call a physician.

Disposal

- The sealed lead-acid battery must be collected, recycled or disposed of in an environmentally sound manner.
- Do not dispose of the lead-acid battery in your regular, household trash. The incineration, landfilling or mixing of sealed lead-acid batteries with household trash is prohibited by law in most areas.
- Return the battery to a federal or state approved lead-acid battery recycler, such as a Power Wheels® Authorized Service Center or a local seller of automotive batteries. In Minnesota, call 1-800-348-0751 if further disposal information is required. Contact your local waste management officials for other information regarding the environmentally sound collection, recycling and disposal of lead-acid batteries.



CAUTION

- Carefully read the Battery Care instructions to obtain the best battery life. Failure to follow the Battery Care instructions may damage your battery and will void your warranty.

Care

- Charge a new battery for at least 18 hours before first use. Never charge the battery longer than 30 hours. Overcharging or undercharging the battery may shorten battery life and decrease vehicle running time.
- Be sure to install the battery correctly and always follow the Battery Care instructions.
- After the first charge, charge the battery for at least 18 hours after each use. Never charge the battery longer than 30 hours.
- Charge the battery after each use, regardless of how long the vehicle was used.
- The battery must be upright while charging.
- Do not allow the battery to run down completely before charging.
- Remove the battery from the vehicle before extended storage.
- Always remove an old or dead battery from the vehicle's battery compartment.
- Charge the battery before storing the vehicle.
- Charge the battery at least once per month, even if the vehicle has not been used.
- Leaving the battery in a discharged condition will ruin it.
- Do not store the battery in temperatures above 75° F or below -10° F.
- Prevent the battery from moving freely inside the battery compartment. Always use the battery retainer to secure the battery in the battery compartment. Do not remove the battery from its protective foam pocket.
- Examine the battery, charger and their connectors for excessive wear or damage to the cord, plug, enclosure or other areas each time you charge the battery. If damage is detected, do not use the charger or the battery until the damage has been repaired.
- Attempting to charge the battery without a 25 amp fuse or with a blown fuse will not damage the battery, but it will not charge. Check the fuse to make sure it is in good condition each time you charge the battery.

K

Rules for Safe Driving



WARNING

- Adult supervision is required. Children do not have the judgement necessary to avoid many accidents. Be sure that children operating this vehicle can do so safely and that they are supervised at all times.
- Never use near steps, driveways, steep inclines, roadways, alleys, swimming pool areas or other bodies of water.
- Always wear shoes or sneakers when riding this vehicle.
- Never allow more than one rider.
- The rider should sit on the seat when the vehicle is in operation.
- Improper use of this vehicle could lead to a serious or fatal accident. Allow children to play with this vehicle only when you have determined that they can do so safely. Follow all instructions to help your child enjoy this vehicle as safely as possible.



CAUTION

- To avoid damaging motors and gears, do not overload the vehicle.
 - Never allow more than one child on the vehicle at one time.
 - Do not exceed the maximum weight capacity of 40 lbs.
 - Do not tow anything behind this vehicle. The extra weight may overload the vehicle.
- Avoid operating the vehicle in wet or snowy conditions, and do not spray the vehicle with a hose. Do not wash the vehicle with soap and water. Water or moisture in the motor or electrical switches can cause them to corrode, and could cause switch or motor failure.
- Avoid operating the vehicle on sand, loose dirt or gravel. Sand, loose dirt and gravel in the electrical switches or motor can cause them to jam, and could cause switch or motor failure. Use your vehicle on grass, asphalt or other hard surfaces.

Teach Safety Rules to Children

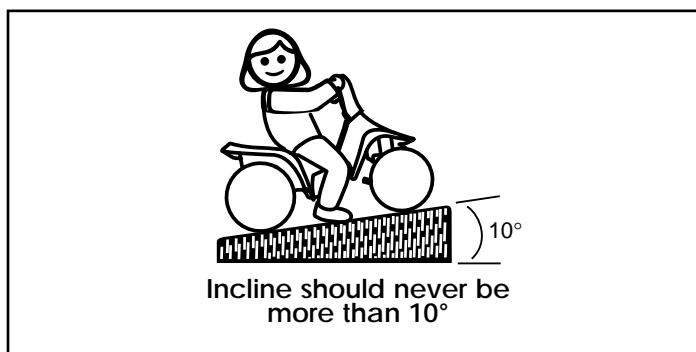
While children can quickly develop the skill necessary to drive this vehicle, it is important to remember that their judgment skills are still very immature. Unsupervised driving by children can lead to serious injury. Before children use the Barbie™ Songbird ATV, an adult should carefully evaluate the driving area as well as the child's skill level and ability to drive this vehicle safely. Children are not always able to recognize or anticipate hazards, even when they have been taught about them. There is no acceptable substitute for adult supervision.

Teach appropriate safety rules to your child before you allow operation of this vehicle. These rules should also be reviewed with neighborhood children or other playmates who want to drive this vehicle.

1. Do not allow any child to drive the vehicle in the street or near moving (motorized) vehicles.
2. Do not allow any child to drive near bodies of water (such as pools or creeks), obstructions (such as furniture, low tree limbs or play equipment), or drop-offs (such as stairs or decks).
3. Do not allow any child to drive the vehicle in the dark. A child could encounter unexpected obstacles and have an accident. Operate the vehicle only in the daytime or in a well-lit area.
4. Teach your child to avoid driving on steep inclines or slopes. Restrict your child's driving to areas that are fairly level with gentle inclines or slopes of no more than 10°.
 - While driving down a steep slope, the vehicle may gain unsafe speed, even if the handlebar button is released to stop.

Rules for Safe Driving

- While driving across a steep slope, the vehicle may tilt and tip over. The wheels could lose traction, causing the vehicle to slip.
- While driving up a steep incline, the motor may stop and the vehicle could roll backwards at an unsafe speed.



5. Do not operate this vehicle with more than one rider, seated on the seating area. A child who is not sitting on the seat or who is standing on the vehicle could fall off, cause a tip-over or block the driver's view. A child could be seriously injured.
6. Always wear shoes or sneakers when riding this vehicle.
7. Never put anything near any moving parts. Rotating parts such as the motor, gear box and wheels can snag fingers, hair, etc., causing serious injury. Do not allow operation of the vehicle when it is on its side or in an upside-down position.

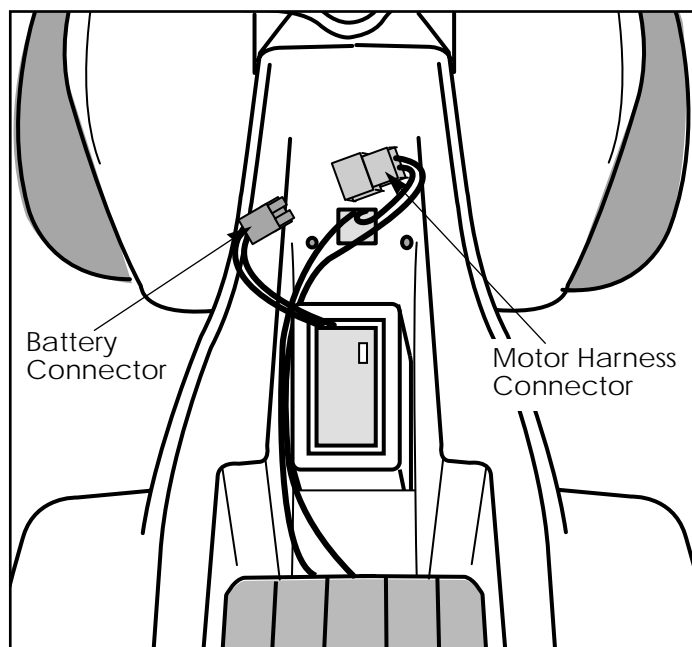
8. Do not operate the vehicle near flammable vapors (gasoline, paint thinner, acetone, liquid wax, etc.). The vehicle's electrical switches, like most electrical switches, emit an internal spark when first turned on or turned off. The presence of flammable liquids or vapors could cause an explosion or a fire. Keep all flammable products in tightly sealed containers and away from the vehicle.

9. Do not allow a child to operate the vehicle without proper adult supervision. To prevent unsupervised use of the vehicle, disconnect the motor harness from the battery when the vehicle is not in use.

To disconnect the motor harness connector and battery connector:

- Loosen the screw in the seat and remove the seat to access the battery.
- Unplug the motor harness connector from the battery connector.
- Re-assemble the seat to your vehicle.

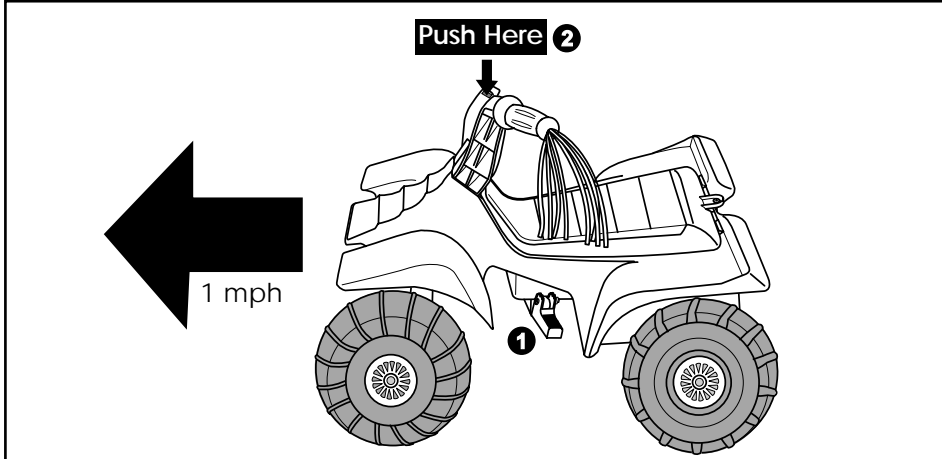
Important Note: Always remember to replace the bolt in the seat to prevent children from accessing the battery.



L

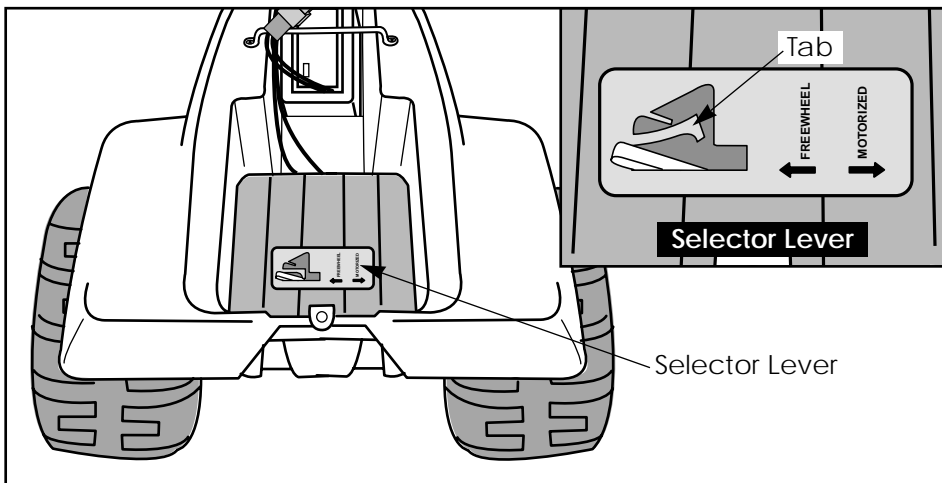
How to Operate Your Vehicle

Your Barbie™ Songbird ATV can be used either as a motorized vehicle or as a free-wheeling foot-to-floor vehicle. It has been pre-assembled at the factory for use as a motorized vehicle and converts easily for free-wheeling fun simply by switching the selector lever located under the seat.



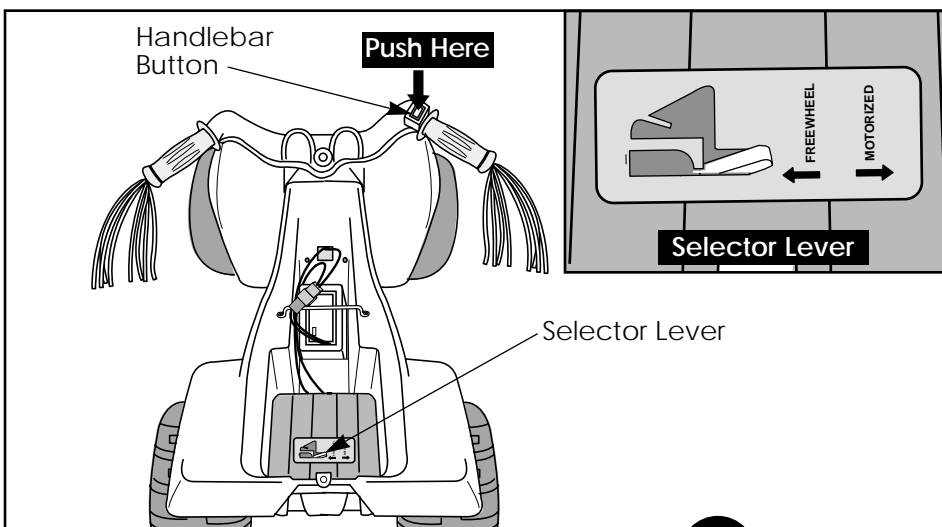
Motorized Use

- Make sure the footrests are in the lowered position **1**.
- Seat your child on the vehicle, with both hands on the handgrips and both feet on the footrests.
- Press the handlebar button. The vehicle moves forward at a maximum of 1 mph **2**.
- Help your child practice steering to learn how far and how quickly to turn the handlebar.



Selecting Free-Wheeling Fun

- Remove the seat.
- Set the selector lever in the compartment under the seat to the FREEWHEEL position. To switch the selector lever from MOTORIZED to FREEWHEEL, bend the tab on the motor cover toward the front of the vehicle and switch the selector lever.
- Re-assemble the seat.
- Make sure the footrests are in the raised position.
- Seat your child on the vehicle with both hands on the handgrips and watch your child go!



Selecting Motorized Use

- Remove the seat.
- Press the handlebar button and **at the same time** switch the selector lever to the MOTORIZED position.
- Re-assemble the seat.

M

Frequently Asked Questions

Q. How often do I need to charge the battery?

A. Charge the battery for a minimum of 18 hours after each use of the vehicle or whenever the vehicle begins to slow down. When the vehicle is not in regular use, charge the battery at least once a month until normal use is resumed.

Q. How much riding time should I get after charging the battery?

A. You should get from one to three hours of riding time per charge. The riding time is affected by:

- the driving surface,
- driver weight,
- the charge of the battery,
- whether the vehicle is used intermittently or continuously,
- condition of the electrical switches and connectors,
- the temperature.

Q. What is the life expectancy of the battery?

A. Battery life will vary depending on how well you follow the Charging and Battery Care instructions. It's also affected by the total number of hours the battery is used. Average battery life is one to three years.

Q. Does the fuse have to be inserted into the battery when I'm charging?

A. Yes! The battery must have a good 25 amp fuse installed when charging and during use. If the fuse is missing, blown or if you are using the wrong type of fuse, the battery will not charge.

Q. How can I tell if the fuse is blown?

A. Use pliers to remove the fuse from the battery and compare the fuse to the illustration on page 24.

Q. How can I tell if the charger is working?

A. There is no sure way to tell if your charger is working unless you have a volt meter. If you suspect there is a problem with your charger, contact your local Power Wheels® Authorized Service Center. They can test your charger for you.

Q. How and when should I store my vehicle?

A. During snowy or rainy weather, the vehicle should be stored inside or under a protective cover. Remember to charge the battery at least once per month while your vehicle is not in regular use.

Q. How should I care for my vehicle?

A. The vehicle can be wiped down with a soft, dry cloth. For a shiny finish, you can wipe plastic parts with a non-wax furniture polish applied to a soft-cloth. Do not use automotive wax. Do not use soap and water or spray the vehicle with a hose. Check all nuts, bolts, and their protective coverings regularly and tighten as required. Check plastic parts on a regular basis for cracks or broken pieces.

To ensure that your vehicle stays in good operating order, we recommend that you periodically have your vehicle checked by a Power Wheels® Authorized Service Center. See page 35 for the list of Authorized Service Centers or call 1-800-348-0751 for the location of the Authorized Service Center nearest you.

Q. If I have a problem that I can't solve myself, what should I do?

A. Power Wheels® has over 300 Authorized Service Center locations. They can repair vehicles under warranty, or out of warranty, or sell you the proper parts for you to do the repair work. These service centers have factory-trained personnel, and use only genuine Power Wheels® replacement parts. If there is not an Authorized Service Center in your area, please call Power Wheels® Consumer Affairs toll-free at: **1-800-348-0751**.

N

Problems and Solutions Guide

IMPORTANT! If you experience a problem with your vehicle, first check the Problems and Solutions Guide below. If you still experience a problem, please contact Power Wheels® Consumer Affairs, toll-free at **1-800-348-0751** between 8 AM and 6 PM (EST) Monday through Friday. Or, contact your local Power Wheels® Authorized Service Center. For the location nearest you, please refer to the Authorized Service Center list beginning on page 37.

Problem	Possible Cause	Solution
Vehicle does not run	Undercharged battery	Charge the battery. A new battery should have been charged for at least 18 hours before using the vehicle for the first time. After first-time use, recharge the battery for at least 18 hours after each use. Never charge the battery longer than 30 hours.
		Check all connectors. Make sure the battery connector is tightly plugged into the charger connector, and that the charger is plugged into the wall.
		Make sure power flow to the wall outlet is "ON".
	Wrong type or improperly installed fuse	Make sure that the battery has a properly installed Power Wheels® 25 amp fuse before charging. For best performance, do not use substitute parts.
	Blown fuse	Make sure that the fuse in the battery is in good condition. Replace a blown fuse with a Power Wheels® 25 amp fuse. For best performance, do not use substitute parts.
	Loose wire or loose connectors	Check all wires and connectors. Make sure the battery connector is tightly plugged into the motor harness connector, and that there are no loose wires around the motor.
	Dead battery	If your battery is old or if you have not followed Battery Care instructions, your battery may be dead. If you are unsure whether or not the battery is dead, you can have it tested at your local Power Wheels® Authorized Service Center.
	Electrical switch damage	The electrical switches can become corroded due to exposure to water or moisture, or can jam due to loose dirt, sand or gravel. Contact your local Power Wheels® Authorized Service Center for diagnosis and repair.
Motor damage	Contact you local Power Wheels® Authorized Service Center for diagnosis and repair.	
Vehicle was running but suddenly stopped	Loose wire or loose connectors	Check all wires and connectors. Make sure the battery connector is tightly plugged into the motor harness connector, and that there are no loose wires around the motor.
	Wrong type or improperly installed fuse	Make sure that the battery has a properly installed Power Wheels® 25 amp fuse installed before charging. For best performance, do not use substitute parts.
	Blown fuse	Make sure that the fuse in the battery is in good condition. Replace a blown fuse with a Power Wheels® 25 amp fuse. For best performance, do not use substitute parts.
	Vehicle is overloaded	Make sure you do not overload the vehicle by allowing more than 1 rider at one time, by exceeding the 40 lbs. maximum weight capacity, or by towing objects behind the vehicle.
	Driving conditions are too stressful	Use only on gentle inclines or slopes of 10° or less. Extreme temperatures can also affect run time.

Problems and Solutions Guide

Problem	Possible Cause	Solution
Short run time	Undercharged battery	Charge the battery. A new battery should have been charged for at least 18 hours before using the vehicle for the first time. After first-time use, recharge the battery for at least 18 hours after each use. Never charge the battery longer than 30 hours.
		Check all wires and connectors. Make sure the battery connector is tightly plugged into the charger connector, and that the charger is plugged into the wall.
		Make sure power flow to the wall outlet is "ON".
	Overcharged battery	Do not charge the battery longer than 30 hours. If you suspect that your battery is damaged as a result of overcharging, contact your local Power Wheels® Authorized Service Center. They can test your battery for you.
	Battery is old and will not accept full charge	Even with proper care, a rechargeable battery does not last forever. Average battery life is 1 to 3 years depending on vehicle use and use conditions. For best performance, do not use substitute parts.
	Wrong type or improperly installed fuse	Make sure that the battery has a properly installed Power Wheels® 25 amp fuse before charging. For best performance, do not use substitute parts.
Vehicle runs sluggishly	Undercharged battery	Charge the battery. A new battery should have been charged for at least 18 hours before using the vehicle for the first time. After first-time use, recharge the battery for at least 18 hours after each use. Never charge the battery longer than 30 hours.
		Check all connectors. Make sure the battery connector is tightly plugged into the charger connector, and that the charger is plugged into the wall.
		Make sure power flow to the wall outlet is "ON".
	Battery needs charging	After approximately 3 hours of constant use, the battery needs charging.
	Wrong type or improperly installed fuse	Make sure that the battery has a properly installed Power Wheels® 25 amp fuse installed before charging. For best performance, do not use substitute parts.
	Battery is old and will not accept full charge	Even with proper care, a rechargeable battery does not last forever. Average battery life is 1 to 3 years depending on the vehicle use and use conditions. Replace the battery with a Power Wheels® Type H (4 Amp/hr.) battery. For best performance, do not use substitute parts.
	Vehicle is overloaded	Make sure you do not overload the vehicle by allowing more than 1 rider at one time, exceeding the 40 lbs. maximum weight capacity, or by towing objects behind the vehicle.
	Driving conditions are too stressful	Use only on gentle inclines or slopes of 10° or less. Extreme temperatures can also affect run time.

Problems and Solutions Guide

Problem	Possible Cause	Solution
Sometimes the vehicle doesn't run, but other times it does	Loose wire or connector	Check all wires around the motor and all connectors to make sure they are tight.
	Motor or electrical switch damage	Contact your local Power Wheels® Authorized Service Center for diagnosis and repair.
When the handlebar button is pressed, the vehicle won't run without a push	Loose wire or connector	Check all wires around the motor and all connectors to make sure they are tight.
	"Dead Spot" on motor	Contact your local Power Wheels® Authorized Service Center for diagnosis and repair.
Vehicle constantly blows fuses	Wrong type of fuse used	Your vehicle requires a Power Wheels® 25 amp fuse in the battery. Make sure the Power Wheels® 25 amp fuse is properly installed in the battery. For best performance, do not use substitute parts.
Loud clacking or grinding noise from motor-gearbox	Broken gears	Contact your local Power Wheels® Authorized Service Center for diagnosis and repair.
Charger gets warm during use	It is normal for some chargers to get warm during use and is not reason for concern. Some chargers do not get warm during use.	No action required.
		If your charger does not get warm during use, it does not mean that it is not working properly.
Battery makes a sizzling or gurgling noise when charging	It is normal for some batteries to make noise and swell slightly while charging and is not reason for concern. Some batteries do not make noise or swell while charging.	No action required.
		If your battery does not make noise or swell slightly during charging, it does not mean that it is not accepting the charge.

If, after reviewing the Problems and Solutions Guide, the vehicle still fails to operate, please contact your nearest Authorized Service Center (see page 32) or contact Power Wheels Consumer Affairs toll-free at **1-800-348-0751**.

Helpful Hint: For faster service when calling Consumer Affairs, completely charge the battery before calling and have the following available by the phone:

- vehicle,
- vehicle model number (see sticker on underside of vehicle body),
- vehicle production run number (see sticker on underside of vehicle body),
- Phillips screwdriver, slotted screwdriver and needle-nose pliers with plastic or rubber handles,
- an extra Power Wheels® 25 amp fuse is helpful.

O

Statement of Limited Warranty

90-day limited warranty for the Power Wheels® Ride-On Toy Vehicle

A 6-month battery warranty applying only to the 6 volt battery which was included by Power Wheels®, with the Power Wheels® vehicle when originally purchased.

This limited warranty covers the Power Wheels® ride-on vehicle and the 6 volt battery, purchased from Power Wheels® by the original purchaser, against defects in materials and workmanship.

This warranty covers normal use and does not cover the Power Wheels® vehicle or battery if damaged by unreasonable use, neglect, accident, abuse, misuse, improper service or other causes not arising out of defects in materials or workmanship. Evidence of any attempt at consumer repair will void this warranty. This warranty does not cover, and is intended to exclude, any liability on the part of Power Wheels®, whether

under this warranty or implied by law or any indirect or consequential damages for breach of warranty. Some states do not allow the exclusion or limitation so this limitation may not apply to you.

Should you need service or assistance with your vehicle during the warranty period, DO NOT RETURN THE VEHICLE TO THE STORE. Power Wheels® has provided a nationwide network of Authorized Service Centers. Please refer to the list in this manual. Power Wheels® is continually expanding our Authorized Service Center network. If there is not an Authorized Service Center in your area, please call Consumer Affairs for information at 1-800-348-0751.

This warranty gives you specific legal rights, and you may also have other rights which may vary from state to state.

PLEASE SAVE YOUR ORIGINAL SALE'S RECEIPT.

P

Authorized Service Centers

We are continually expanding our Authorized Service Center Network. Please check this listing for the Authorized Service Center nearest you. If there is not one in your area, please call Power Wheels® Consumer Affairs at 1-800-348-0751.

ALABAMA

BIRMINGHAM - Frigid Service & Sales, 701 Graymont Ave. North, 35203, (205) 323-5831
BIRMINGHAM - Frigid Service & Sales, 1861 Centerpoint Rd., 35215, (205) 853-3952
BIRMINGHAM (HOMEWOOD) - D & R Appliance Company, 154 West Valley Ave., 35209, (205) 942-3959
CULLMAN - Robert G. Werner Company, 1115 4th Street S.W., 35055, (205) 734-5673
DECATUR - Peddler II, 1000 B Beltline Road, 35603, (205) 350-1044
DOTHAN - Bill's Appliance Service, 208 Bic Road, P.O. Box 1192, 36303, (334) 792-7746
DOUGLAS - Brown Hardware, Highway 75, 35964, (205) 593-6086
HUNTSVILLE - C & G Appliance, 307 Jordan Lane, 35805, (205) 837-4551
MONTGOMERY - Acme Service Co., 2603 Highland Ave., 36107, (205) 264-2456, (800) 285-2160
TUSCALOOSA (NORTHPORT) - Frigid Service & Sales, 2813 Lurleen B. Wallace Blvd., 35476, (205) 339-3624

ALASKA

ANCHORAGE - Ken's Electronics Service, 360 E. International, Ste. 8, 99518, (907) 562-3443

ARIZONA

GLENDALE - Elliott Electric Appliance Service, 6242 N. 43rd Avenue, 85301, (602) 937-2613
SCOTTSDALE - Elliott Electric, 7515 E. McDowell Road, 85257, (602) 946-7487

ARKANSAS

FT. SMITH - Bromley Appliance Service, 614 North 10th Street, 72901, (501) 782-9646
HOT SPRINGS, The Battery Center, 400 Airport Road, 71913, (501) 624-7144
JONESBORO - Best Sewing & Vacuum & Repair, 2235 S. Caraway Road, 72401, (501) 935-4739, (800) 844-4739
LITTLE ROCK - C & W Tool Repair, 1303 W. Markham, 72201, (501) 374-1911
MENA - Bearcat Starter & Alt., 801 Petros, 71953, (501) 394-0320
ROGERS - Kressel's Vacuum & Repair, 115 North 5th Street, 72756, (501) 636-7894
STUTT GART - Davis Lumber Company, 301 East Michigan, 72160, (501) 673-3601

CALIFORNIA

BAKERSFIELD - Southwest TV, 6300 White Lane, Suite B, 93309, (805) 397-4940
CONCORD - California Electric Service Center, 1170-G Burnett Avenue, 94520, (510) 827-1011
COVINA - California Electric Service Center, 612 Shoppers Lane, 91723, (818) 915-4935
FONTANA - California Electric Service Center, 9794 Sierra Avenue, 92335, (909) 355-2500
FORT JONES - Ft. Jones Frontier Hardware, 11911 Main Street, 96032, (916) 468-2266
FRESNO - Valley Small Appliance, 4005 E. Ashlan Avenue, 93726, (209) 224-5530
FULLERTON - California Electric Service Center, 1208 E. Ash Avenue, 92631-5020, (714) 870-0900
LOS ALAMITOS - California Electric Service Center, 11284 Los Alamitos Blvd., 90720, (310) 430-2668
MERCED - Moosehead Electronics, 920 W. 18th Street, 95340, (209) 723-4712
MISSION VIEJO - California Electric Service Center, 23725 Via Fabricante, Unit B, 92691, (714) 586-9440
OAKLAND - California Electric Service Center, 1139 E. 12th Street, 94606, (510) 834-1050
OXNARD - Terry's Inc., The Clean-up Store, 1237 Saviers Road, 93033, (805) 487-9401, (800) 845-3223
PASADENA - California Electric Service Center, 2594 E. Colorado Blvd., 91107, (818) 792-3194
SACRAMENTO - California Electric Service Center, 1821 "Q" Street, 95814, (916) 443-5711
SAN CARLOS - California Electric Service Center, 990 Industrial Road, Suite 102, 94070, (415) 593-6696
SAN DIEGO - California Electric Service Center, 3430 El Cajon Blvd., 92104, (619) 283-6488
SAN FRANCISCO - California Electric Service Center, 1090 Bryant Street, 94103, (415) 431-8494
SAN JOSE - California Electric Service Center, 783 The Alameda, 95126, (408) 295-1723
SANTA ANA - California Electric Service Center, 2025 South Main Street, 92707, (714) 641-0529
SANTA ROSA - Hardisty's Inc., 710 Farmers Lane, 95405, (707) 545-0535
STOCKTON - California Electronics, 929 North Yosemite Street, 95203, (209) 466-5432
TEMECULA - California Electric Service Center, 41715 Enterprise Circle North, Suite 101, 92590, (909) 695-5445
VAN NUYS - California Electric Service Center, 14753 Oxnard Blvd., 91411, (818) 997-8855
WEST LOS ANGELES - California Electric Service Center, 2314 S. Westwood Blvd., 90064, (310) 475-2532

Authorized Service Centers

YUCAIPA - Aire-Rite Heating & A/C, 34724 Yucaipa Blvd., 92399, (909) 797-2788

COLORADO

AURORA - Appliance Service, 2295 So. Chambers Road, Unit F, 80014, (303) 369-6651

COLORADO SPRINGS - Nelson Appliance Repair, Inc., 1220 E. Fillmore, 80907, (719) 635-1928, (800) 291-8010

DENVER - Appliance Service, 4262 Lowell Blvd., 80211, (303) 458-1109, (800) 631-0941 (CO, WY only)

DENVER (ENGLEWOOD) - Appliance Service, 3932 S. Broadway, 80110, (303) 781-1227, (800) 553-1864

GRAND JUNCTION - V & L Appliance Service, 809 North Avenue, 81501, (970) 243-3360

CONNECTICUT

HARTFORD - Hartford Element & Appliance Service, 1500 Albany Avenue, 06112, (860) 246-7424, (800) 787-7977

NEW HAVEN (HAMDEN) - New Haven Appliance Service Center, 1627 Dixwell Avenue, 06514, (203) 288-6229

SHELTON - Jeff's Appliance, Inc., 500A Howe Avenue, 06484, (203) 924-8997

STAMFORD - Appliance Servicenter of Stamford, 15 Cedar Heights Road, 06905, (203) 322-7656

WATERBURY - P.J. Appliance Repair, 935 South Main Street, 06706, (203) 757-1014

DELAWARE

DOVER - Del-Mar Appliance of Delaware, 230 South Governors Avenue, 19904, (302) 674-2414, (800) 858-3424

WILMINGTON - Lyons Hardware, Inc., 2021 Kirkwood Highway, 19805, (302) 995-1260

FLORIDA

ATLANTIC BEACH - First Coast Repair, 25 Seminole Road, 32233, (904) 246-4616

DELRAY - Mister Fix It, 209 S.E. 2nd Avenue, 33483, (407) 243-9999

GAINESVILLE - Authorized Appliance Service Co., 2614 S.W. 34th Street, 32608, (904) 375-3886

HIALEAH - S-O Service Co., 925 Hialeah Drive, 33010, (305) 887-6275

HOLLY HILL - Ormond Element, 1668 Ridgewood Avenue, 32117, (904) 677-3497

JACKSONVILLE - Authorized Appliance Service Co., 6120-5 Powers Avenue, 32217, (904) 737-5312

LAKE CITY - S&S Mowers Sales & Service, Route 10, Box 9161, Hwy 47 South & MacFarland Ave., 32055, (904) 755-9375

LAKELAND - Electric Shaver & Small Appliance, 4243 S. Florida Avenue, 33813, (941) 644-4690

MIAMI - Goodman's Sales & Service, 14376 SW 142 Avenue, 33186, (305) 278-8822

NORTH FORT MYERS - Family Hardware, 13817 N. Cleveland Ave., 33903, (941) 995-6161

NORTH PALM BEACH - Appliance Doctors, 450 Northlake Blvd., 33408, (407) 845-0377, FAX (407) 845-0378

OCALA, Vacuums, Inc., 3535 S.E. Maricamp Road, #103, 34471, (904) 694-2247

ORLANDO - Philips Consumer Electronics, 2452 Sand Lake Road, 32809, (407) 857-8998, (800) 942-6128

ORLANDO - Pine Hills Appliance Svc. Co., 6100-4 W. Colonial Drive, 32808, (407) 299-1271

ORLANDO - Southern Electric Co., 510 N. Parramore Avenue, 32801, (407) 841-8824, (800) 940-8824

PANAMA CITY, Callaway Vacuum & Sewing, 221 N. Tyndall Prkwy., 32404, (904) 763-6333

POMPANO BEACH - Authorized Appliance Service Co., 2171 N. Dixie Highway, 33060, (305) 941-2038

POMPANO BEACH - Philips Consumer Electronics, 2099 W. Atlantic Blvd., 33069, (305) 978-0467, (800) 635-6488

PORT ST. LUCIE - Hoppe's Authorized Vac & Appliance, 6735 S. Federal Way, 34592, (407) 464-0102

ROCKLEDGE - Neelco Do-It Center, 400 Barton Blvd., 32955, (407) 639-1400

SARASOTA - Sunray Small Appliances, 8371 N. Tamiami, 34243, (941) 358-9999, (800) 895-5655

SEBRING - Sebring Do-It Center, 305 U.S. 27 North, 33870, (813) 385-2785

SPRING HILL - Crowder Bros Hardware, 5350 Spring Hill Dr., 34606, (904) 686-4743

ST. PETERSBURG - Keystone Electric, 4604 Central Avenue, 33711, (813) 321-1124

STUART - Appliance Doctors, 3166 S.E. Dixie Highway, 34997, (407) 287-6437

SUNRISE - Muller Appliance Service, 2620 N. University Drive, 33322, (305) 749-5460

TALLAHASSEE - Prescott's Ace Hardware, 4831 Kerry Forest Parkway, 32308, (904) 668-3389

TAMPA - Authorized Appliance Service Co., Dibbs Plaza, 4119 Gunn Hwy., Unit 8, 33624, (813) 968-6638

VERO BEACH - Hoppe's Authorized Vac & Appliance, 1872 Commerce Avenue, 32960, (407) 562-4466

WEST PALM BEACH - Satisfaction TV Video Service, Inc., 1701-05 Kirk Road, 33406, (407) 439-3733

GEORGIA

ATLANTA - Georgia Service Center, 5366 Buford Hwy., 30340, (770) 455-1716, (800) 455-1715

ATLANTA (MARIETTA) - Philips Consumer Electronics, 200 N. Cobb Parkway, Bldg. #100, Suite 120, 30062, (770) 795-0085

AUGUSTA - A & A Appliance Parts & Service, 1708 Walton Way, 30904, (706) 733-5163

BRUNSWICK - Arco Hardware & Supply, 3711 Community Road, 31520, (912) 267-0771

COLUMBUS - Burrell's National Appliance Service, 1728 Warm Springs Road, 31904, (706) 327-0523

LOGANVILLE - Mtn. Mower Sales and Service, 6099C Hwy. 20, 30249, (770) 466-9111

MACON - Capitol Cycle Company, 1090 Washington Avenue, 31201, (912) 745-3946

SAVANNAH - Hagins Appliance Service, 3 West Victory Drive, 31405, (912) 233-8372

TIFFON - Western Auto, 354 S. Main St., 31794, (912) 382-5767

VALDOSTA - Harry B. Anderson, Inc. Western Auto, 204 Central Avenue, 31601, (912) 242-5945

HAWAII

HONOLULU - McCully Bicycle & Sporting Goods, 932 Hausten Street, 96826, (808) 946-1192

WAILUKU (MAUI) - Tom's Appliance Sales & Service, 891 Eha Street, 96793, (808) 244-6278

WAIPAHU - Waipahu Bicycle, 94-320 Depot Street, 96797, (808) 671-4091

IDAHO

BOISE - Boise Appliance, 1503 Main Street, 83702, (208) 343-0102

ILLINOIS

CHAMPAIGN - Appliance Parts & Service Center, 905 Francois, 61821, (217) 355-0220

CHICAGO (BERWYN) - Brand Service Center, 6739 West Cermak, 60402, (708) 749-4315

CHICAGO (DOWNER'S GROVE) - Authorized Appliance Service Co., 1644 W. Ogden Avenue, 60515, (708) 852-1550, (800) 829-1798

CHICAGO (MORTON GROVE) - Brand Service Center, Inc., 5618 Dempster Street, 60053, (708) 965-5900

JACKSONVILLE - Rexx Battery Specialists, 847 South Main Street, 62650, (217) 245-2713

NASHVILLE - Kesel Hardware, 173 West St. Louis, 62263, (618) 327-8957

NILES - Household Appliance Sales & Serv., 7411 N. Milwaukee Ave., 60714, (708) 647-8250, (800) 572-6826, FAX (708) 647-2214

PEORIA - Brand Service Center, 6926-I North University Street, Tanglewood Center, 61614, (309) 691-7588

ROCKFORD - Sun Appliance Sales & Service, 3112 N. Rockton Avenue, 61103, (815) 964-3866

SPRINGFIELD - Bannon Electronics, 1224 N. Franklin, 62702, (217) 523-0313

WAUKEGAN - Brand Service Center, 2850 Belvidere Road, 60085, (708) 244-5800

INDIANA

EVANSVILLE - Electro Hygiene Co., 1614 South Kentucky, 47714, (812) 425-2671

FT. WAYNE - Don's Harware, 5701 Coventry Lane, in the Village of Coventry, 46804, (219) 436-2278

FT. WAYNE - Sun Appliance Service & Sales, 3523 N. Anthony Blvd., 46805, (219) 482-1702

INDIANAPOLIS - Brand Service Center, 1827 N. Meridian Street, 46202, (317) 924-1386

INDIANAPOLIS - Sullivan Hardware Do-It Center, 7021 N. Keystone, 46220, (317) 255-9230

MUNCIE - Joel's Appliance Service, 4405 N. Old State Road 3, 47303, (317) 286-2896

NEW ALBANY - Wells Hardware, Inc., 1011 Vincennes Street, 47150, (812) 944-4523

SOUTH BEND - Ray's TV and Appliance, 60717 US 31 South, 46614, (219) 291-1630

SOUTH BEND (OSCEOLA) - AAA Appliance Service Co., 11868 Lincoln Way West, 46561, (219) 679-4981

TERRE HAUTE - Corey Electronics, 924 S. 8th Street, 47802, (812) 232-8786, (888) 758-4746

IOWA

BETTENDORF - K & K True Value Hardware, 1818 Grant Street, 52722, (319) 359-4473

CEDAR RAPIDS - Stalker Electric, Inc., 110 3rd Ave. SW, 52404, (319) 364-5646

DES MOINES - Quality Appliance Repair Center, 1417 Walnut Street, 50309, (515) 288-0108

DUBUQUE - Shaver's Plus, 11 Bluff Street, 52001, (319) 556-4442

SIoux CITY - Millard Television Inc., 1419 Hamilton Blvd., 51103, (712) 258-3435

KANSAS

COLBY - Gavon's Electronics, 1870 South Range, 67701, (913) 462-6601

JUNCTION CITY - R/C Hobbies, 115 W. 7th Street, 66441, (913) 238-1877

KANSAS CITY (OVERLAND PARK) - Mar-Beck Appliance Service Co., 8471 West 95th Street, 66212, (913) 642-1557

WICHITA - Alan Appliance Service, Inc., 1300 E. Central, 67214, (316) 262-7228, (800) 290-7228

KENTUCKY

GREENVILLE - Malone Lumber Do-It Center, 204 W. Depot Street, 42345, (502) 338-3252

LEXINGTON - Factory Electronics, 2422 Palumbo Drive, 40509, (606) 269-7341

LEXINGTON (VERSAILLES) - Deaver's Hardware, 221 N. Main St., 40383, (606) 873-7396

LOUISVILLE - Maury's Fluorescent & Appliance Service, 1521 Bardstown Road, 40205, (502) 456-1671

MADISONVILLE - Kuester's Hardware, N. Main St., Martin Mall, 42431, (502) 825-2818

OWENSBORO - Kuester's Hardware, 1210 Carter Road, 42301, (502) 685-4916

PADUCAH - Hank Brothers True Value, 3101 Lone Oak Rd., 42003, (502) 554-4001

LOUISIANA

BATON ROUGE - Home Appliance Service, Inc., 10781 Florida Blvd., 70815, (504) 272-7727

LAFALETTE - Cullen's Playland, 4498 Johnston Street, 70503, (318) 981-2929

LAKE CHARLES - Capitol Schwinn Cyclery, 722 E. Prien Lake Road, 70605, (318) 474-9090

NEW ORLEANS (METAIRIE) - Le Jouet, Inc., 1700 Airline Hwy., 70001, (504) 837-0533

SHREVEPORT - Shreveport Shaver and Appliance, 9750 St. Vincent, Burt Kouns Ind. Loop, 71106, (318) 865-5088, (800) 349-7722

WEST MONROE - West Monroe Small Appliance Repair, 1300 N. 7th Street, Suite F, 71291, (318) 323-5088

MAINE

BANGOR - Adco Surgical Supply Co., 1292 Hammond St., 04401, (207) 942-5273

PORTLAND - Colonial Electronics, Inc., 259 St. John Street, 04102, (207) 774-6666

MARYLAND

BALTIMORE (ELLCOTT CITY) - Clark Do-It Center, 10325 Baltimore National Pk., 21042, (410) 313-8100

BALTIMORE (TOWSON) - Duran Service Company, 8741 Mylander Lane, 21286, (410) 321-9033

GAITHERSBURG - Waters Appliance Service, 216 E. Diamond Avenue, 20877, (301) 258-7500, (800) 225-5009

SALISBURY - Cycle and Sports Outlet, 2505 N. Salisbury Blvd., 21801, (410) 860-0400

TANEYTOWN - MacHenry Services, 68 Frederick Street, 21787, (410) 756-6659, (800) 276-1301

Authorized Service Centers

WASHINGTON D.C. (BELTSVILLE) - Philips Consumer Electronics, 10800 Rhode Island Avenue, 20705, (301) 595-5330, (800) 438-9647

MASSACHUSETTS

BOSTON (MEDFIELD) - Wills Hardware, 5 Janes Avenue, 02052, (508) 359-4381

BOSTON (WALTHAM) - Suburban Appliance Service Center, Inc., 271 Moody Street, 02154, (617) 893-6694

MAYNARD - Gramp's Garage, 16 Main Street, 01754, (508) 461-0463

QUINCY - Appliance Service and Parts, Inc., 582 Washington Street, Route 3A, 02169, (617) 773-6656

SALEM - Fix Master, Inc., 190 North Street, 01970, (508) 745-0004

SPRINGFIELD - Utility Electric Service, Inc., 810 Main Street, 01101, (413) 781-1635

MICHIGAN

ALMONT - Almont Hardware, 4545 Van Dyke, P.O. Box 511, 48003, (810) 798-8922

BAY CITY - Bay Vac & Pedal, 805 Columbus Ave., 48708, (517) 892-7516

BRIGHTON - Complete Battery Source, 8023 W. Grand River, 48116, (810) 220-1050

DEARBORN - McNichols Electric Service, 1836 Grindley Park, 48124, (313) 563-7550

DETROIT - McNichols Electric Service, 13725 W. McNichols, 48235, (313) 342-6070, (800) 562-4226

DETROIT (ROYAL OAK) - McNichols Electric Service, 4115 West 13 Mile Road, 48072, (810) 288-5135

FLINT (DAVISON) - Gill-Roy's Hardware, 8405 East Davison, 48423, (810) 653-2288

FLINT (SWARTZ CREEK) - Gill-Roy's Hardware, 9061 Miller Road, 48473, (810) 635-2020

GRAND RAPIDS - Superior Appliance Service Co., 1050 Scribner Avenue, NW, 49504, (616) 459-3271

JACKSON - Hammond Hardware, 1800 Francis St., P.O. Box 7, 49204, (517) 782-0704

KALAMAZOO - Bill Coleman TV, 3938 S. Westnedge, 49008, (616) 344-1200

LANSING - Rapid Appliance Service, Inc., 1454 E. Michigan Avenue, 48912, (517) 485-1320

MIDLAND - Knopic's Do-It Center, 3128 Jefferson Ave., 48640, (517) 832-2774

PRUDENVILLE - Ford's Do-It Center, 841 W. Houghton Lake Drive, 48651, (517) 366-7622

TRAVERSE CITY - De Weese Hardware Inc., 1029 Carver Street, 49685, (616) 947-7670

MINNESOTA

BRAINERD - Diggz Motor Sports, 4299 Hwy. 371 North, 56401, (218) 828-8088

DULUTH - All Brand Mr. Fixit, 16 West First Street, 55802, (218) 722-1499

DULUTH - Mr. Fix it - Metro Appl. Service Center, Inc., 2020 W. Superior St., 55806, (218) 722-9063

MINNEAPOLIS (ST. LOUIS PARK) - Barness, 4631 Excelsior Blvd., 55416, (612) 926-0521

ROCHESTER - Robert's Electronics, 611 6th Ave. NW, 55901, (507) 282-2140

ST. PAUL - Barness, 1573 University Avenue, 55104, (612) 646-3109

MISSISSIPPI

HATTIESBURG - Champion Cycle & Fitness, 2625 Lincoln Road, 39402, (601) 264-8233, (800) 273-4158

IUKA - W. H. Fairless Hardware Co., Inc., 117 Fulton Street, 38852, (601) 423-2233, (800) 797-9457

JACKSON (RIDGELAND) - Propeller Service, 291 Hwy. 51, Suite D6, 39157, (601) 856-3191

MERIDIAN - Broadmoor Home Center, 2420 Old North Hills Street, P.O. Box 3280, 39305, (601) 483-7373

NATCHEZ - Western Auto, 180 Seargent Prentiss Dr., 39120, (601) 445-4186

STARKVILLE - East Mississippi Lumber Co., 300 Russell Street, 39759, (601) 323-3554

MISSOURI

INDEPENDENCE - Mar-Beck Appliance Service Co., 4476 South Noland Road, 64055, (816) 478-1889

KANSAS CITY - Mar-Beck Appliance Service Co., 303 W. 79th Street, 64114, (816) 523-6931

KANSAS CITY (GLADSTONE) - Mar-Beck Appliance Serv. Co., 6559 N. Oak Traffic Way, 64118, (816) 436-9191

POPLAR BLUFF - Mills Iron & Supply, 1919 S. Westwood Blvd., 63901, (314) 785-2628

SPRINGFIELD - Mar-Beck Appliance Service Co., 2704 S. Glenstone Avenue, 65804, (417) 882-3070

ST. LOUIS - Authorized Appliance, Inc., 2355 Hampton Avenue, 63139, (314) 647-4250

ST. LOUIS - Brand Service Center, Inc., 1624 S. Broadway, 63104, (314) 231-0751

MONTANA

BILLINGS - Radio Equipment Company, 1120 16th Street West, 59104, (406) 256-9778

GREAT FALLS - Arrowhead Electronics, Inc., 2026 2nd Avenue North, 59401, (406) 761-1666

NEBRASKA

GRAND ISLAND - Mundt's Small Appliance & Vacuum Repair, 1822 W. Northfront Street, 68803, (308) 382-5084

LINCOLN - CB Small Appliance, 432 South 11th Street, 68508, (402) 475-2546

LINCOLN - Sperry TV, 1115 North 47th St., 68503, (402) 464-9181

LINCOLN - Sperry TV, 2013 Highway 2, 68502, (402) 464-9181

NORTH PLATTE - Sperry TV, 1855 West A Street, Westfield Shopping Center, 69010, (308) 532-5200

OMAHA - Myers Electric Co., 7571 Dodge Street, 68114, (402) 393-8388, (800) 234-1414

OMAHA - Myers Electric Co., Inc., 1458 South 16th Street, 68108, (402) 342-7710

NEVADA

LAS VEGAS - Burney's Commercial Service, Inc., 4480 Aldebaran Avenue, 89103, (702) 736-0006

MINDEN - Valley Home & Sport Center, 1587 Highway 395, 89423, (702) 782-5111

NEW HAMPSHIRE

CONCORD (BOW) - Casco Food Equipment Service, 10 Dunklee, 03304, (603) 224-2663, (800) 660-2058

NEW JERSEY

HAWTHORNE - Ter Kuile, Inc., 206 Diamond Bridge Avenue, 07506, (201) 423-1142

HIGHLAND PARK - Dash Electronics, 10 N. 2nd Street, 08904, (908) 247-5124

HOWELL - South Jersey TV Service, Inc., 4232 Rt. 9 South, 07731, (908) 363-5550, (800) 244-3094

OCEAN - South Jersey TV Service, Inc., 1719 Route 35, 07712, (908) 531-3565

SICKLERVILLE - Sicklerville Hardware, 540 Williamstown Road, 08081, (609) 728-3800

TOMS RIVER - South Jersey TV Service, Inc., Stella Towne Center, 1258 Route 166, 08753, (908) 505-1771

TOTOWA - Philips Consumer Electronics, 140J Commerce Way, 07512, (201) 890-7200, (800) 276-9933

TRENTON - Tattersall, Inc., 309 N. Willow Street, 08618, (609) 393-4293

NEW MEXICO

ALBUQUERQUE - Appliance Service Center, 5505 Silver Avenue, SE, 87108, (505) 265-7774

CLOVIS - Burns Hardware, 1511 N. Prince, 88101, (505) 769-2528

NEW YORK

BAYSHORE, L.I. - Turnpike Appliance of Suffolk, Inc., 1253 Sunrise Highway, 11706, (516) 665-8311

BINGHAMTON - Hardware Fare DO-IT Center, 1139 Front Street, Nimmonsburg Square, 13905, (607) 722-9202

BUFFALO - Buffalo Appliance Repair Center, Inc., 20 Pannell Street, 14214, (716) 833-4677

BUFFALO (WILLIAMSVILLE) - Hector's Hardware, 876 Maple Road, 14221, (716) 688-4488

COMMACK, L.I. - Turnpike Appliance Service, 6181 Jericho Turnpike, 11725, (516) 499-3355

ELMIRA - Capabilities, Inc., 1149 Sullivan Street, 14901, (607) 734-2006

GREAT NECK - Turnpike Appliance Service Center, 45 Northern Boulevard, 11021, (516) 466-0644

HUDSON - Sweeps Vacuum & Repair Center, Inc., 705 Warren Street, 12534, (518) 828-5457

PEEKSKILL - Clark Appliance & Vacuum Service Corp., 950 Main Street, 10566, (914) 737-1368, (800) 765-0649

POUGHKEEPSIE - S & S Appliance Sales & Service, 390 Violet Avenue, 12601, (914) 452-6122

RICHMOND HILL - Lockdoctor Locksmiths, 104-37 Atlantic Ave., 11418 (718) 441-6242

ROCHESTER - Benfante Appliance Service, 1286 Mt. Hope Avenue, 14620, (716) 473-8765

SEA CLIFF, L.I. - Shabra Electronics, 400 Glen Cove Avenue, 11579, (516) 671-2218

STATEN ISLAND - Springstead Lumber 6232, 4255 Amboy Road, 10308, (718) 984-0300

SYRACUSE - County Wide Appliance, 1001 N. State Street, 13208, (315) 479-5253, (800) 333-3243

TUCKAHOE - Authorized Appliance of Westchester, 26 Columbus Ave., 10707, (914) 961-8011

UTICA - Oneida Bicycle & Sports Center, 2107 Whitesboro St., 13502, (315) 724-6084

WARWICK - Wadson Home Center, 60 Forester Avenue, 10990, (914) 986-2215, (800) 982-2215 (NY only)

W. HEMPSTEAD L.I. - Turnpike Appliance Service, 86 Hempstead Turnpike, 11552, (516) 486-5700, (800) 628-3911

NORTH CAROLINA

ASHEVILLE - Skyland Hardware, 3179 Sweeten Creek Road, 28803, (704) 684-0308

CHARLOTTE - Authorized Appliance Servicer, 1020 Tuckaseegee Road, 28208, (704) 377-4501, (800) 532-6127

CLINTON - Danny's Service Center, 119 Vance Street, 28328, (910) 592-3200

ELIZABETH CITY - Coastal Office Equipment Co., 501 East Church Street, 27909, (919) 335-2927

GREENSBORO - Greensboro Shaver & Appliance, 414 North Eugene Street, 27401, (910) 273-1065

WINSTON-SALEM - Authorized Appliance Servicer, 904 South Marshall Street, 27117, (910) 725-5396

NORTH DAKOTA

FARGO - General Parts & Supply Co., 10 S. 18th Street, 58103, (701) 235-4161, (800) 279-9987

OHIO

AKRON - Advanced Appliance Service Company, 73 W. Exchange Street, 44308, (216) 762-8968

CANTON - Appliance Parts Co., 1267 Dueber Avenue, SW, 44706, (216) 453-8077

CINCINNATI - H&S Service, 458 Cincinnati Batavia Pike, 45244, (513) 528-0808 (800) 344-4210

CINCINNATI (SILVERTON) - Brand Service Center, Inc., 6944 Plainfield Road, 45236, (513) 793-1170

CLEVELAND - Majors Appliance, 5845 Turney Road, 44125, (216) 663-4650

CLEVELAND (MENTOR) - Lake Erie Lawn & Garden, 7833 Munson Rd., 44060, (216) 257-9000

CLEVELAND (PARMA) - Majors Appliance, 5785 Ridge Road, 44129, (216) 884-7200

CLEVELAND (WESTLAKE) - Philips Consumer Electronics, 24090 Detroit Avenue, 44145, (216) 899-2040, (800) 331-7037

COLUMBUS - Philips Consumer Electronics, 6333 Busch Blvd., 43229, (614) 781-2605

DAYTON - Layer Electric, 603 South Ludlow Street, 45402, (513) 224-9608

DAYTON (NEW CARLISLE) - Hess Hardware Do-It Center, 3300 South Dayton Lakeview Rd., 45344, (513) 849-1306, (800) 786-1308

LIMA - Crouse Lumber Do-It Center, 333 E. Market Street, 45801, (419) 229-9070, (800) 826-9663

NEW BOSTON - True Value Toy Town, Rt. 52 & 139, 45662, (614) 456-5704

STRYKER - Short's Hardware, 115 N. Depot Street, 43557, (419) 682-4231

Authorized Service Centers

TOLEDO - Broadway Sales and Appliance Repair, 1621 Broadway, 43609, (419) 241-9731, (800) 436-5415

YOUNGSTOWN - O'Connor's, 3224 Market Street, 44507, (216) 782-4705

OKLAHOMA

OKLAHOMA CITY - Brand Service Center, 538 N. Pennsylvania Avenue, 73107, (405) 235-0583

TULSA - H.L. Moss, Inc., 1714 E. 15th Street, 74104, (918) 744-1305, (800) 248-5948

OREGON

PORTLAND - Oregon Appliance 2137 East Burnside Street, 97214, (503) 235-6681,

PENNSYLVANIA

ALTOONA - Frye's Sweeper & Sewing Center, Inc., 1400 Valley View Boulevard, 16602, (814) 943-5001, (800) 640-1308

HARRISBURG - C.A. Juillard, Inc., 2301 North Seventh Street, 17110, (717) 233-3488, (800) 633-3488

JOHNSTOWN - Cambria True Value Hardware, West Hills Square, Goucher Street, 15905, (814) 255-4752

KINGSTON - Vac-Way Appliance & Service, 595 Market Street, 18704, (717) 288-4508

MOSCOW - Vac-Way Appliance & Service, RR #6 Box 6237, 18444, (717) 842-4668

ORANGEVILLE - Hess Do-It Center & Market, Route 487, Box 4 M, 17859, (717) 683-5162

PHILADELPHIA - Appliance Care/Service Corp., 6407 Rising Sun Ave., 19111, (215) 725-3112

PHILADELPHIA (COLLINGDALE) - J.F. Kenney Electric, 920 MacDade Boulevard, 19023, (610) 534-7373

PITTSBURGH - Ferry Electric Service Co., 7498 McKnight Road, 15237, (412) 364-3403

PITTSBURGH - Ferry Electric Service Co., 140 Clairton Blvd., 15236, (412) 653-6004

READING - Electric Repair Co., 502-504 North 9th Street, 19604, (610) 376-5444, (800) 422-8171 (PA only)

SCRANTON - Vac-Way Appliance and Service, 601 Cedar Avenue, 18505, (717) 343-1121

SHAMOKIN DAM - Willard Battery Outlet, 138 S. Old Trail, 17876, (717) 743-5383

TROY - Hoover Hardware, 9 Canton, 16947, (800) 251-2156, (717) 297-3445

WASHINGTON - Murphy Family Inc., 585 East National Pike, 15301, (412) 225-0324

WILKES-BARRE - Walter Hardware DO-IT Center, 57 N. Welles Street, 18702, (717) 823-1406

YORK - Parcel Plus, 2549 E. Market Street, York Market Place, 17402, (717) 757-1875

PUERTO RICO

HATILLO - Tropical Parts Service, P.O. Box 1335, Road 130 KM 8.5, 00659, (809) 898-6474

MAYAGUEZ - Cardona Appliance Service, 8 San Vicente St., 00680, (809) 832-8366

MAYAGUEZ - Melendez Home Appliance Repair, Calle Post 319 Sur, 00680, (809) 832-5225

PONCE - Ferreteria Vivian, Centro Comercial, Los Caobos #7, 00731, (809) 840-0677

PUERTO NUEVO - Buckeye Service, 1013 Jesus T. Pinero Avenue, 00920, (809) 782-6175

RHODE ISLAND

PROVIDENCE - Marshall Electric Co., 200 Broad Street, 02903, (401) 331-4482

SOUTH CAROLINA

CHARLESTON HEIGHTS - Dorchester Electric Service, 3575 Dorchester Avenue, 29405, (803) 747-5221

COLUMBIA - Authorized Appliance Servicenter, 1811 Taylor Street, 29202, (803) 254-8414

DARLINGTON - Hobbies and More, 1570 South Main Street, 29532, (803) 393-0355, FAX (803) 393-8171

GREENWOOD - Bikes & Boards & Mopeds, 203A Montague Avenue, 29646, (803) 229-2453

SENECA - Seneca Micronics, 110 East North First, 29678, (803) 882-6593

SPARTANBURG - Boiling Springs Hardware, 3124 Boiling Springs Rd, 29303, (803) 578-1852

VARNVILLE - P&S Small Engine & Variety Shop, 105 Carolina Avenue, West, 29944, (803) 943-9141

TENNESSEE

CHATTANOOGA - Light Electric, 732 East 11th Street, 37403, (615) 267-9224

KNOXVILLE - Authorized Appliance Service Center, 1206 North Central Street, 37917, (615) 524-3376

KNOXVILLE - Philips Consumer Electronics, 6700 D Papermill Road, Papermill Plaza, 37919, (615) 584-6614, (800) 821-1767

MEMPHIS - Camp Electric Co., 647 Madison Avenue, 38103, (901) 527-7543, (800) 238-7345

NASHVILLE - Webb's Appliance Service Center, Inc., 1519 Church Street, 37203, (615) 329-4079, (800) 899-4079

TEXAS

ABILENE - Metro Small Appliance Service Co., 141 S. Clyde, 79605, (915) 672-1853

AMARILLO - Reid's Appliance Service, Inc., 906 Georgia, 79102, (806) 373-8812

ANTHONY - Villarreal & Sons Elec., 512 S. Third Street, 79821, (915) 886-3362

AUSTIN - Harrell Supply and Service, Inc., 5435 Burnet Road, 78756, (512) 451-6464, (800) 332-7250 (TX only)

AUSTIN - Harrell Supply and Service, Inc., 1409 West Oltorf, 78704, (512) 442-5966

AUSTIN (ROUND ROCK) - Harrell Supply, 907c Interstate Highway 35, 78664, (512) 388-0866

CORPUS CHRISTI - Brand Service Center, 2751 S. Staples Street, 78404, (512) 854-1851

DALLAS - Pearsol Appliance Co., 3127 Main Street, 75226, (214) 939-0930

DALLAS - All Type Sales and Service Co., Inc., 2835 Irving Blvd., 75207, (214) 638-1170, (800) 717-1170

FT. WORTH - Ft. Worth Shaver and Appliance Center, 1012 West 7th Street, 76102, (817) 335-9970

HOUSTON - Brand Service Center, 5727 Richmond Avenue, 77057, (713) 782-8910

HOUSTON - Brand Service Center, 1970 FM 1960, 77090, (713) 537-7795

LAREDO - Rubio Electric, 1719 San Bernardo, 78040, (210) 722-3908

LONGVIEW - Toys and Things, 918 NW Loop 281, 75604, (903) 759-3939

LUBBOCK - Minter's, 4409 50th Street, 79414, (806) 799-3170

LUFKIN - STS Audio and Video, 1505 South First Street, 75901, (409) 639-4529

MC ALLEN - All-In-One Repair Shop, 2313 Lark Avenue, 78504, (210) 682-8858

MIDLAND - Midland Tool Specialty, 918 South Main, 79701, (915) 682-4647, (800) 499-0755

PASADENA - Larry's TV Service, 3520 Fairmont Parkway, 77504, (713) 998-0122, (800) 244-0281

ROMA - True Value Hardware, 1004 E. Highway 83, (210) 849-1322

SAN ANTONIO - Brand Service Center, 7065 San Pedro Avenue, 78216, (210) 344-8577

SEYMOUR - Western Auto, 211 N. Main Street, 76308, (817) 888-3980

TEMPLE - Master Tech Repairs, 2819 West Avenue North, 76504, (817) 773-8991

WICHITA FALLS - Burke's Appliance Service, 2410 10th Street, 76309, (817) 723-6211

UTAH

OREM - The Mending Shed, 1735 South State Street, 84058, (801) 225-8012, (800) 339-9297

SALT LAKE CITY - Appliance Service Center, Inc., 210 East 6th South, 84111, (801) 328-9703

VERMONT

RUTLAND - Appliance Service Center Ltd., 152 Woodstock Avenue, 05701, (802) 773-8917

VIRGINIA

HARRISONBURG (PENN LAIRD) - J.L. Maintenance & Repair, Inc., Route 1, Box 183, 22846, (703) 289-9844, (800) 296-9844

NEWPORT NEWS - Commonwealth Electric Shaver Sales & Service, Inc., 10105 Jefferson Ave., 23605, (804) 595-6712

NORFOLK - Commonwealth Electric Shaver Sales & Service, Inc., 6612 E. Virginia Beach Blvd., 23502, (804) 461-4475

ROANOKE - Commonwealth Shaver & Appliance Service, 5524 Williamson Road, NW, 24012, (703) 366-6038

VIENNA - Appliance Fix-It, 8455 Tyco Road, 22182, (703) 893-1234

WINCHESTER - Battery Mart of Winchester, Inc., 1 Battery Dr., 22601, (703) 655-0065

WOODBRIIDGE - Baker's Appliance, 13314 Occoquan Road, 22191, (703) 490-5605

WASHINGTON

SEATTLE - Ajax Electric, 2911 First Avenue South, 98134, (206) 622-9945

SEATTLE (BELLEVUE) - Action Small Appliance Service, 1500 145th Place, SE, 98007, (206) 643-9806

SPOKANE - SPARCO, West 45 2nd Avenue, 99204, (509) 624-8965

SPOKANE - SPARCO, N. 1119 Pines Rd., 99206, (509) 922-9666

WEST VIRGINIA

BECKLEY - Jerry's Detectors, Vacuum & Appl. Svc., 411 Second Street, 25801, (304) 253-3521

CHARLESTON - Sneed's Vacuum & Sewing Center, 2614 7th Avenue, 25312, (304) 744-3670, (800) 245-8048 (WV only)

HARRISVILLE - Western Auto, 1107 E. Main St., 26362, (304) 643-2226

HUNTINGTON - Mike's Appliance and Service, 212 20th Street, 25703, (304) 522-0737, (800) 244-9152

MARTINSBURG - Battery Mart, 1161-3 Winchester Avenue, 25401, (304) 267-7033, (800) 464-7918

WHEELING - Fast Service Center, 1058 Main Street, 26003, (304) 232-5561 (800) 874-4090

WISCONSIN

APPLETON - G/Tech Electric Tool & Housewares Service, 600 W. College Ave., 54911, (414) 739-6064, (800) 400-6064

GREENBAY - Kastle Carts, Inc., 2301 N. Irwin Ave., 54313, (414) 465-6121

LACROSSE - Paul's Shaver Service, 1224 Caledonia Street, 54603, (608) 782-6291

MADISON (MONONA) - Kiefer's Shaver and Appliance, 4511 Monona Drive, 53716, (608) 221-3322

MAUMETTE - Della Do-It Center, W 1536 Highway 41, 54143, (715) 732-1768

MILWAUKEE - Brand Service Center, 3707 North 92nd Street, 53222, (414) 461-0440

MILWAUKEE - Brand Service Center, 6000 W. Oklahoma Street, 53219, (414) 541-4340



BarbieTM Songbird
ATV

FOR MODEL 76980

Questions? Please call Consumer Affairs toll-free at 1-800-348-0751.

BARBIE is a trademark owned by and used under license from Mattel, Inc. ©1996 Mattel, Inc. All Rights Reserved.

©1996 Fisher-Price, Inc., East Aurora, New York 14052 - All Rights Reserved