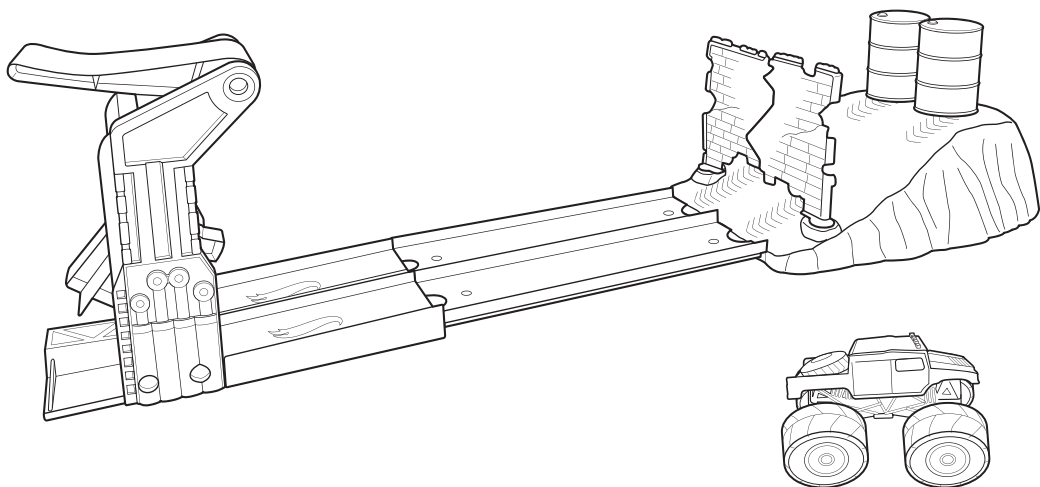


# INSTRUCTIONS



## BRICK WALL BREAKDOWN™



©2014 Feld Motor Sports, Inc.

MONSTER JAM®, UNITED STATES HOT ROD ASSOCIATION®, USHRA®, AFTERBURNER®, BACKWARDS BOB®, BLACKSMITH®, BLUE THUNDER®, BULLDOZER®, CAPTAIN'S CURSE®, DRAGON'S BREATH®, EL DIABLO™, EL TORO LOCO®, GRAVE DIGGER®, GRAVE DIGGER THE LEGEND®, GRINDER™, CRUSADER™, MAX-D™, MAXIMUM DESTRUCTION®, MOHAWK WARRIOR®, MONSTER MUTT®, NORTHERN NIGHTMARE™, SON-UVA DIGGER®, and ZOMBIE™ are trademarks of and used under license by FMS. All rights reserved.

4+

service.mattel.com

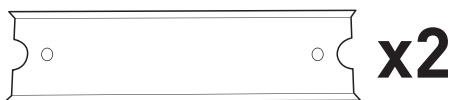
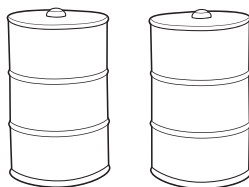
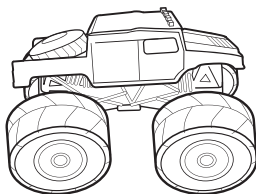
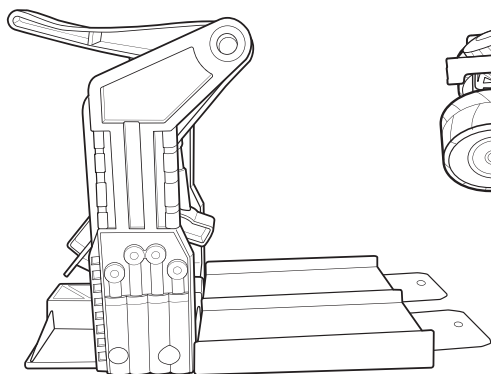
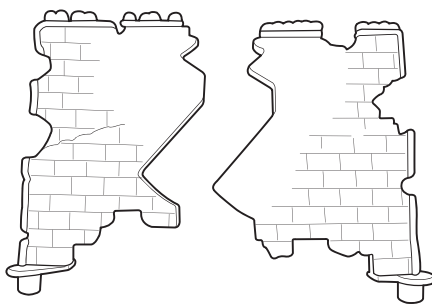
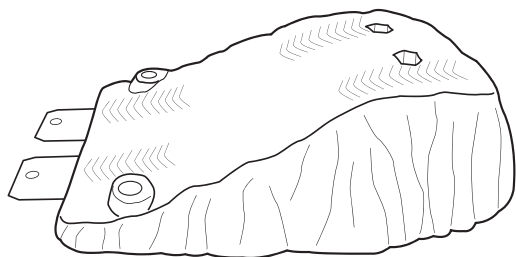
**HOTWHEELS.COM**



CCP72-1100174824

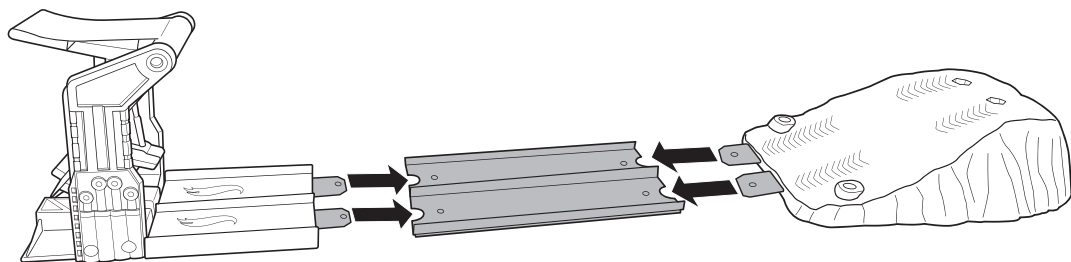
PLEASE KEEP THESE INSTRUCTIONS FOR FUTURE REFERENCE AS THEY CONTAIN IMPORTANT INFORMATION.

# CONTENTS



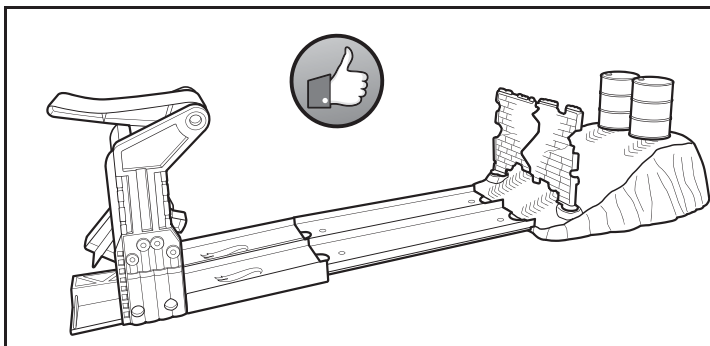
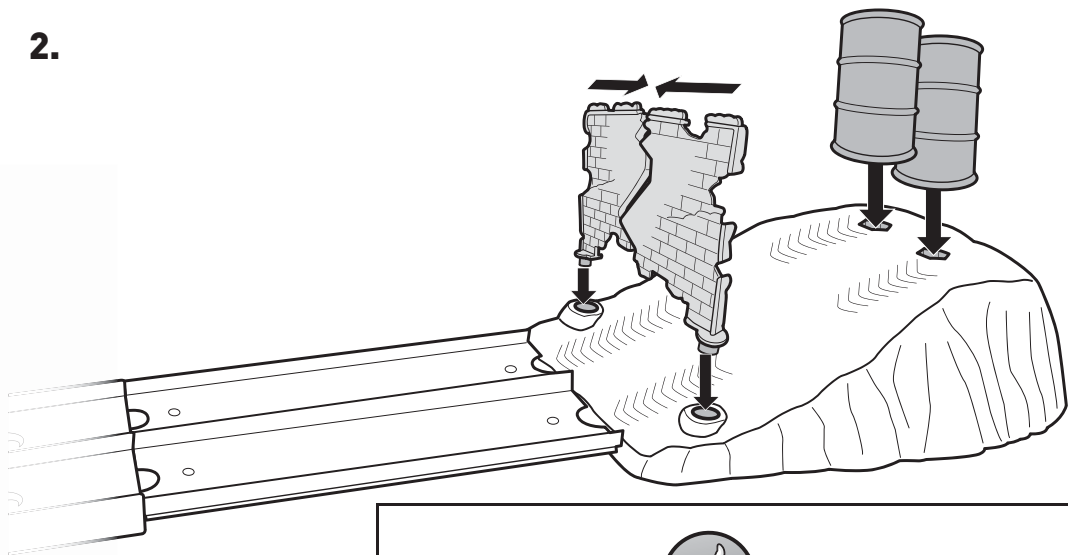
# ASSEMBLY

1.



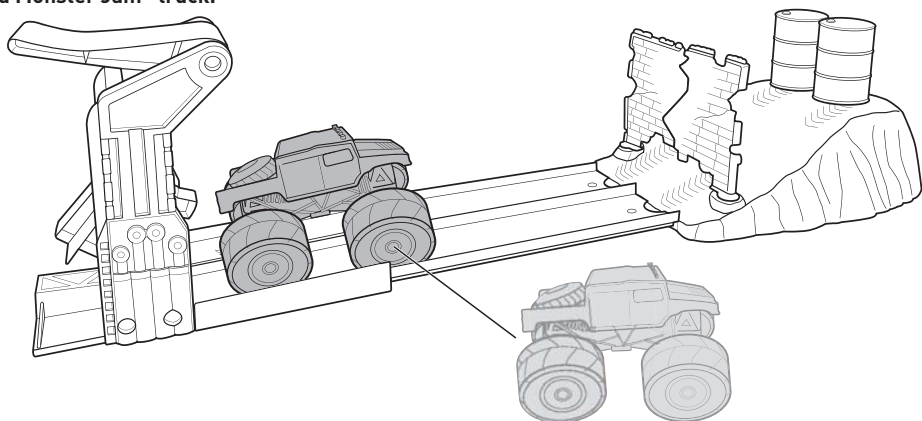
# ASSEMBLY (CONTD.)

2.



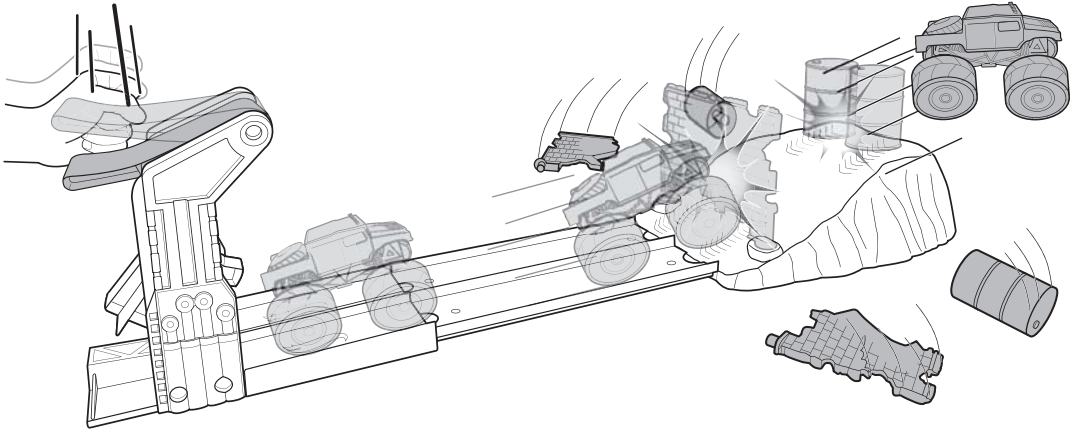
## TO PLAY

1. Load Monster Jam® truck.



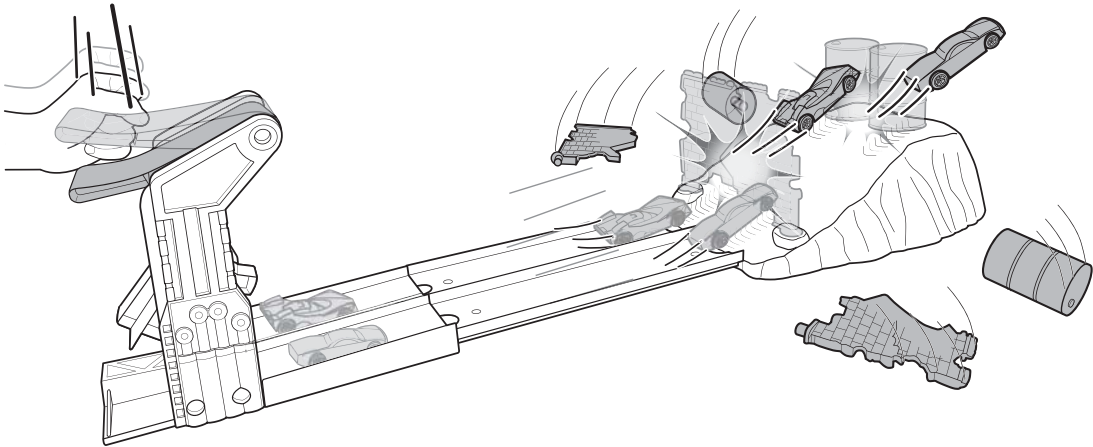
# TO PLAY (CONTD.)

**2. Pound to launch truck. Smash through brick wall and knock down barrels!**



## MORE WAYS TO PLAY

**Try launching 2 Hot Wheels® cars at once!**



**Works with most Hot Wheels® vehicles (not included).**