



VOLCANO PARK DELUXE SET

INSTRUCTIONS

Keep these instructions for future reference as they contain important information.



Fisher-Price®

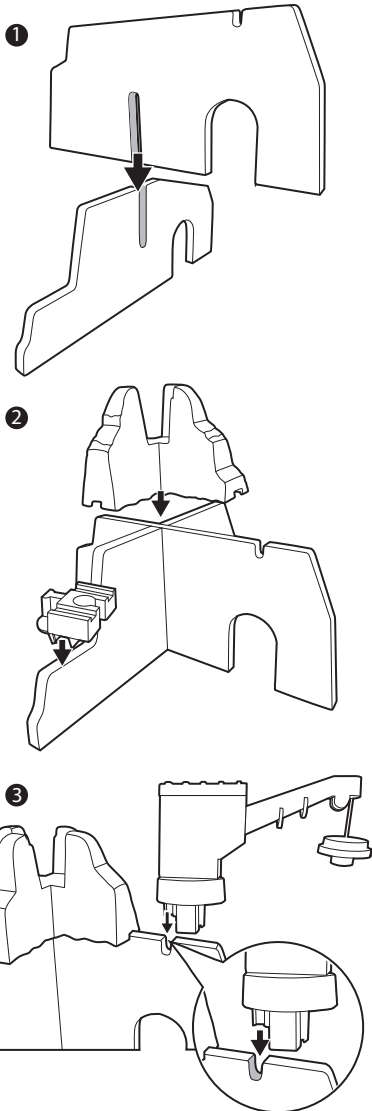
CDK48

100374660_DOM

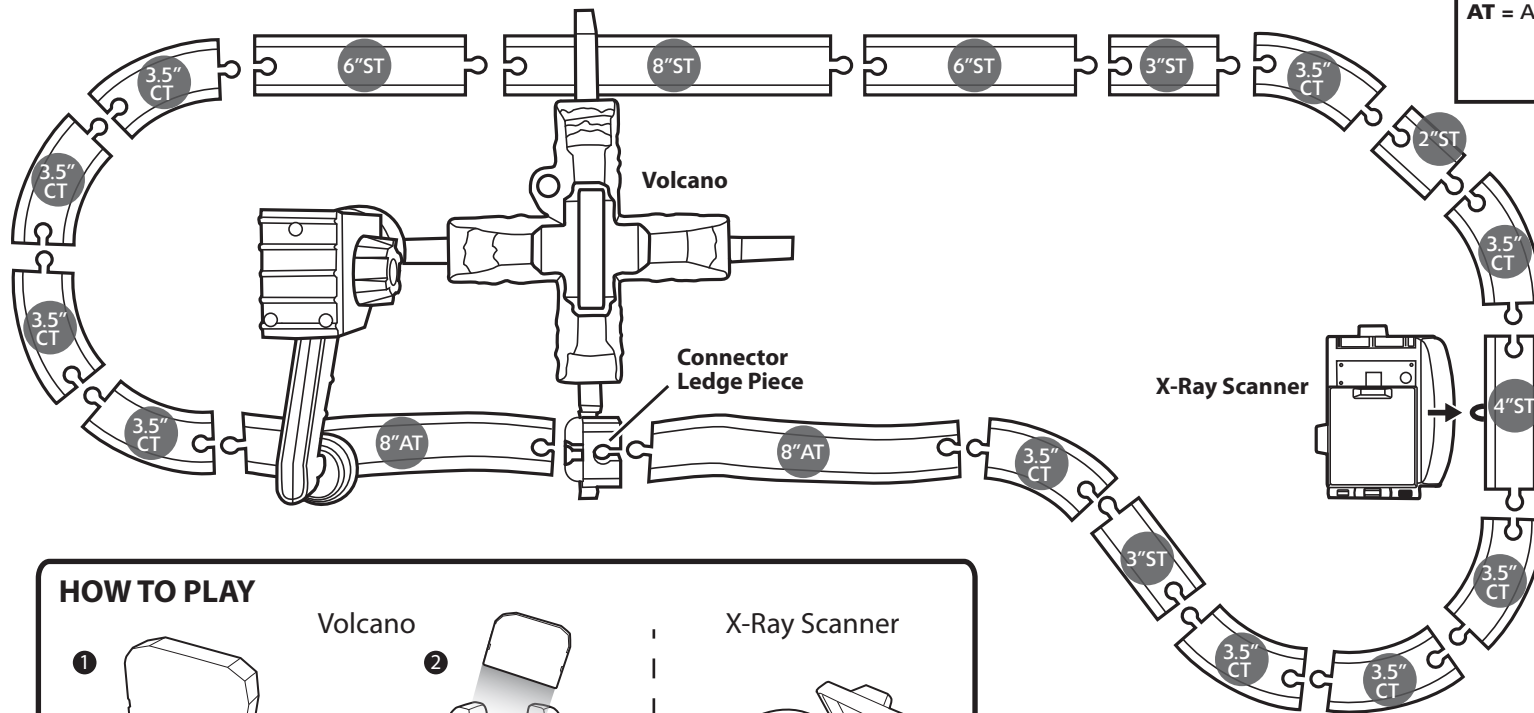
LEGEND

CT = Curved Track
ST = Straight Track
AT = Ascending Track

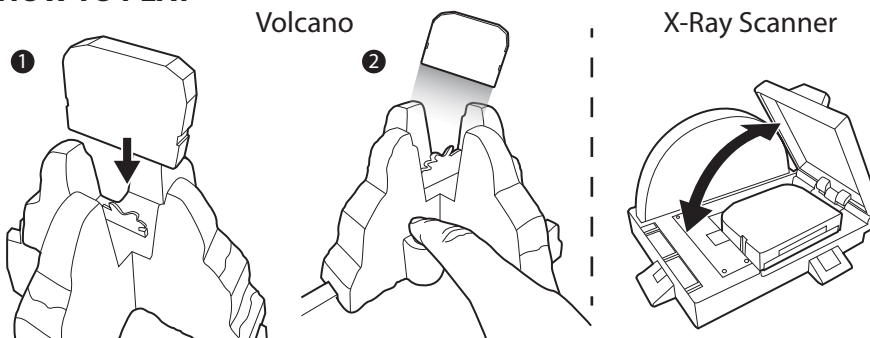
ASSEMBLY



TRACK LAYOUT



HOW TO PLAY



Thomas the Tank Engine & Friends™



CREATED BY BRITT ALLCROFT
 Based on the Railway Series by The Reverend W Awdry. ©2014 Gullane (Thomas) Limited. Thomas the Tank Engine & Friends and Thomas & Friends are trademarks of Gullane (Thomas) Limited. ©2014 HIT Entertainment Limited. HIT and the HIT logo are trademarks of HIT Entertainment Limited. ©2014 Mattel. All Rights Reserved. ® and ™ designate U.S. trademarks of Mattel, except as noted. **PRINTED IN CHINA.**
 Mattel East Asia Ltd., Room 503-09, North Tower, World Finance Centre, Harbour City, Tsimshatsui, HK, China.

CONSUMER ASSISTANCE
 1-800-432-5437 (US & Canada)
 1300 135 312 (Australia)
service.fisher-price.com

Fisher-Price, Inc., 636 Girard Avenue, East Aurora, NY 14052.
 Hearing-impaired consumers: 1-800-382-7470.

Outside the United States:

Canada: Mattel Canada Inc., 6155 Freemont Blvd., Mississauga, Ontario L5R 3W2; www.service.mattel.com.

Great Britain: Mattel UK Ltd, Vanwall Business Park, Maidenhead SL6 4UB. Helpline: 01628 500303. www.service.mattel.com/uk

Mattel Europa B.V., Godel 1, 1186 MJ Amstelveen, Nederland.

Australia: Mattel Australia Pty. Ltd., 658 Church Street, Locked Bag #870, Richmond, Victoria 3121 Australia.

New Zealand: 16-18 William Pickering Drive, Albany 1331, Auckland.