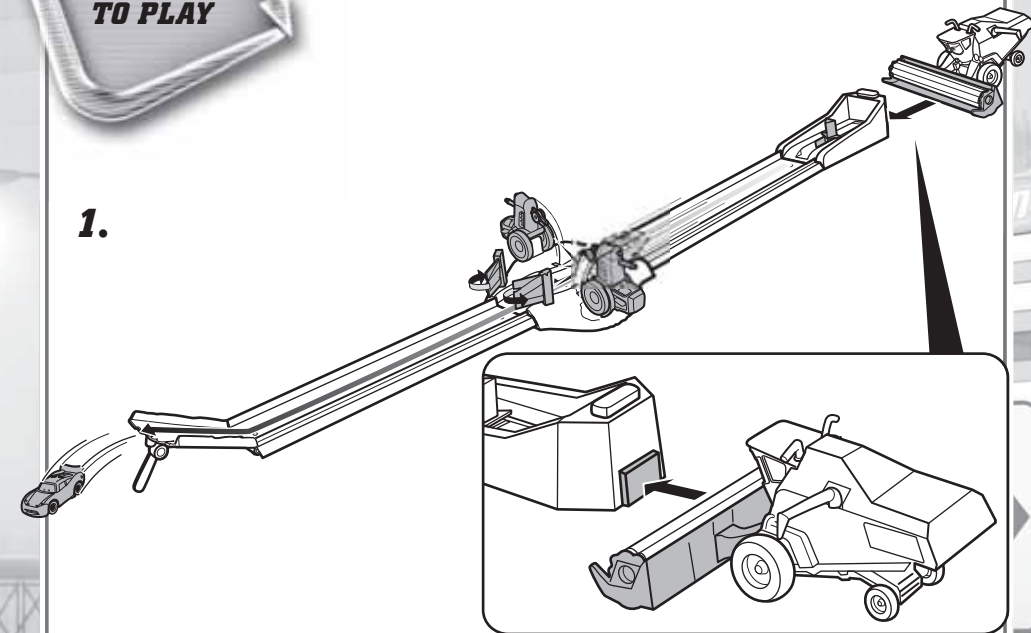
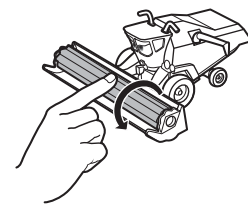


**MORE WAYS TO PLAY**

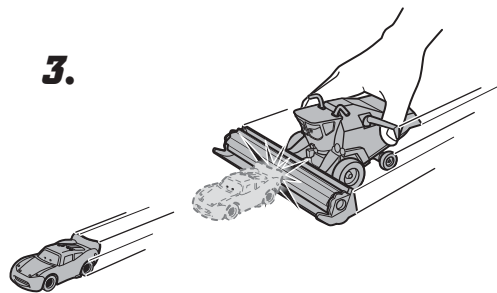
1.



2.



3.

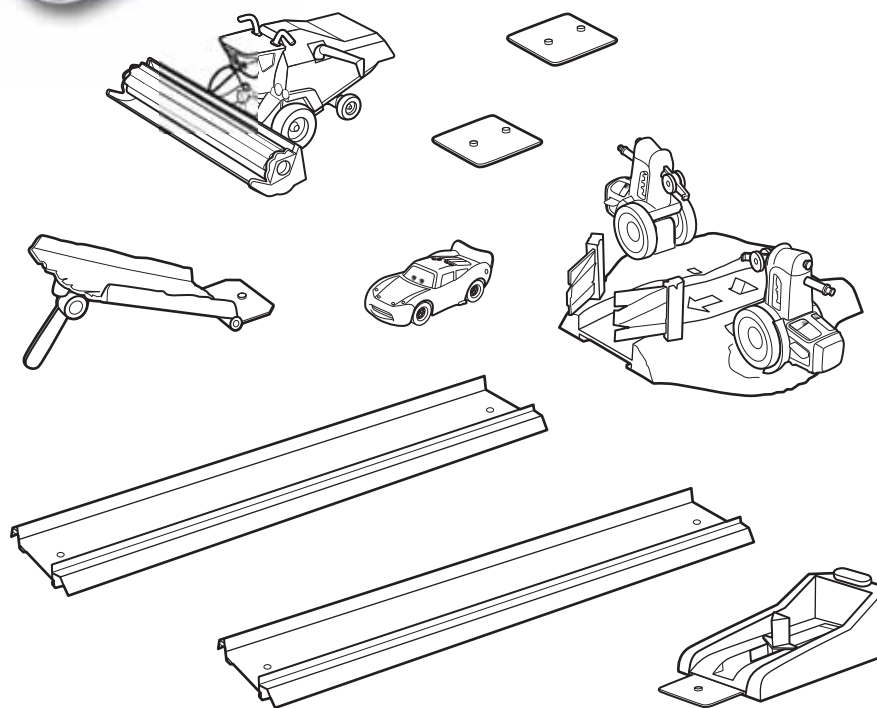


**INSTRUCTIONS**

Please keep these instructions for future reference as they contain important information.

4+

**Contents**



© Disney/Pixar

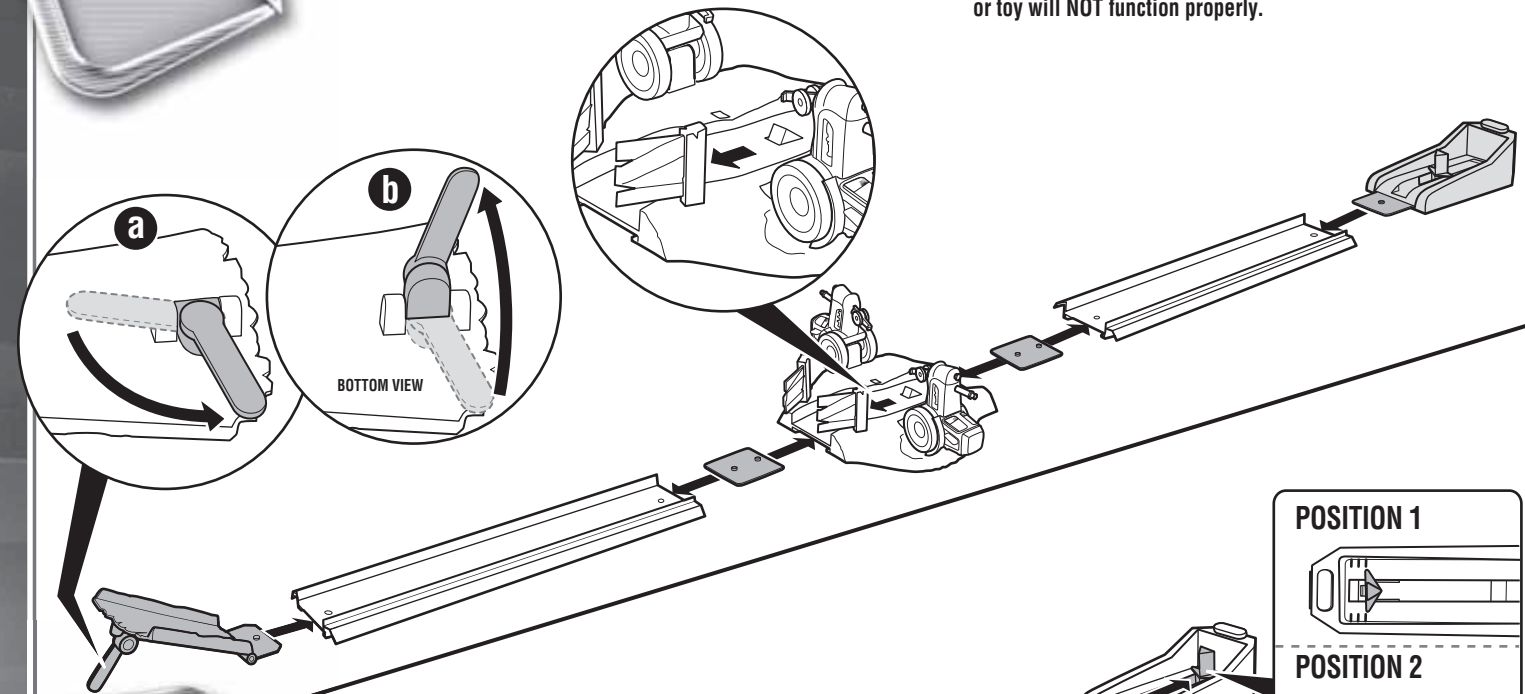
Mattel, Inc., All Rights Reserved.  
 Mattel, Inc., 636 Girard Avenue East Aurora, NY 14052, U.S.A. Consumer Relations 1  
 (800) 524-8697. Retain this address for future reference. Mattel U.K. Ltd., Vanwall  
 Business Park, Maidenhead SL6 4UB. Helpline 01628 500303. Mattel Australia Pty.,  
 Ltd., Richmond, Victoria, 3121. Consumer Advisory Service - 1300 135 312. Mattel East  
 Asia Ltd., Room 1106, South Tower, World Finance Centre, Harbour City, Tsimshatsui,  
 HK, China. Diimport & Diedarkan Oleh: Mattel SEA Ptd Ltd. (993532-P) Lot 13.5, 13th  
 Floor, Menara Lien Hoe, Persiaran Tropicana Golf Country Resort, 47410 PJ. Tel:  
 03-78803817, Fax: 03-78803867.

service.mattel.com



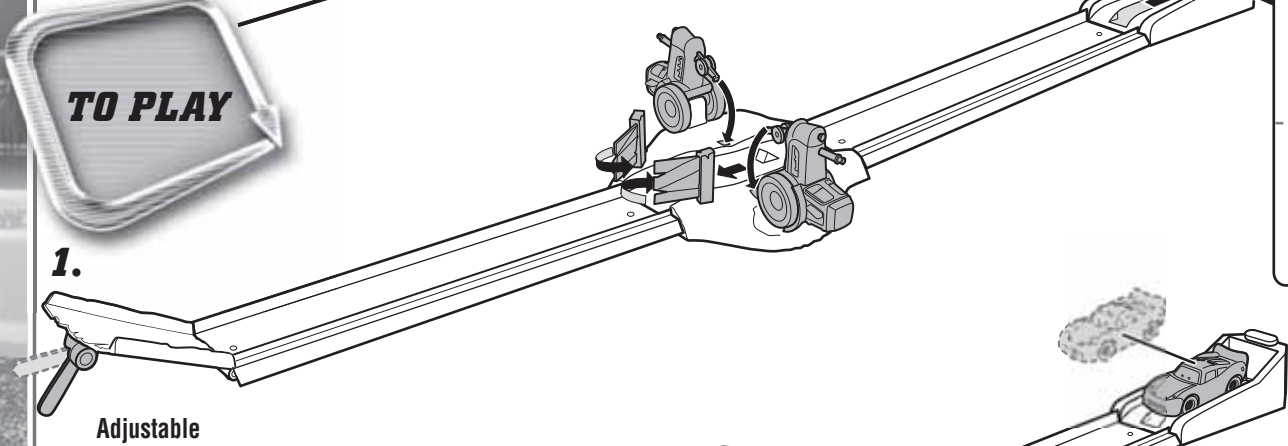
**Assembly**

Make sure arrow on track points in the direction shown, or toy will NOT function properly.

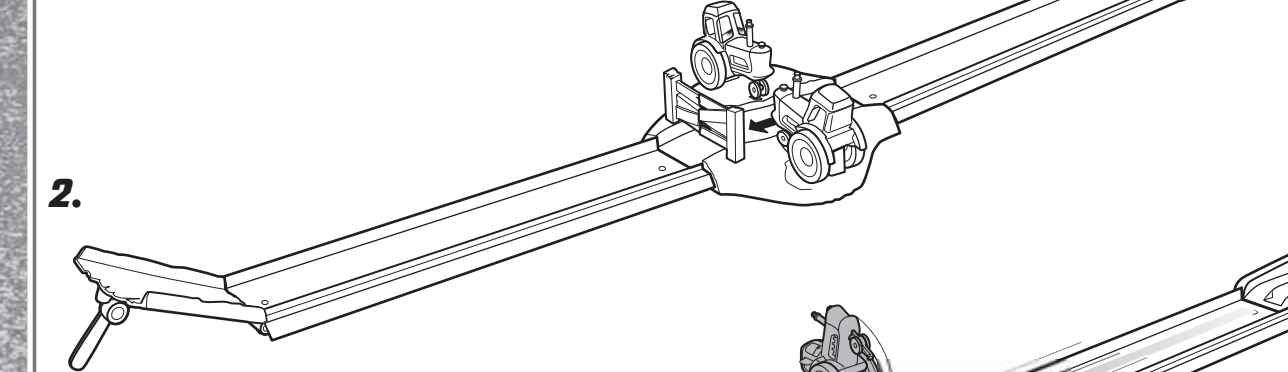


**TO PLAY**

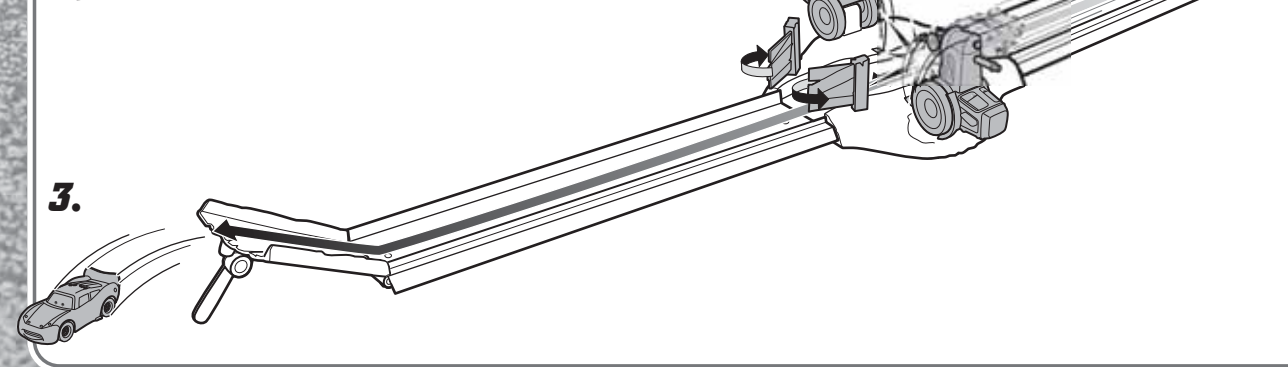
1.



2.



3.



POSITION 1

POSITION 2

POSITION 3

**INSTRUCTION SHEET SPECIFICATIONS**

Toy: Cars Tractor Tipping Track Set  
 Toy No.: T1966  
 Part No.: 0920  
 Trim Size: 11" X 8.5"  
 Folded Size: A5  
 Type of Fold: accordian  
 # colors: One  
 Colors: Black  
 Paper Stock: White Offset  
 Paper Weight: 70 lb.  
 EDM No.: 001