



# Thomas at Pirate's Cove

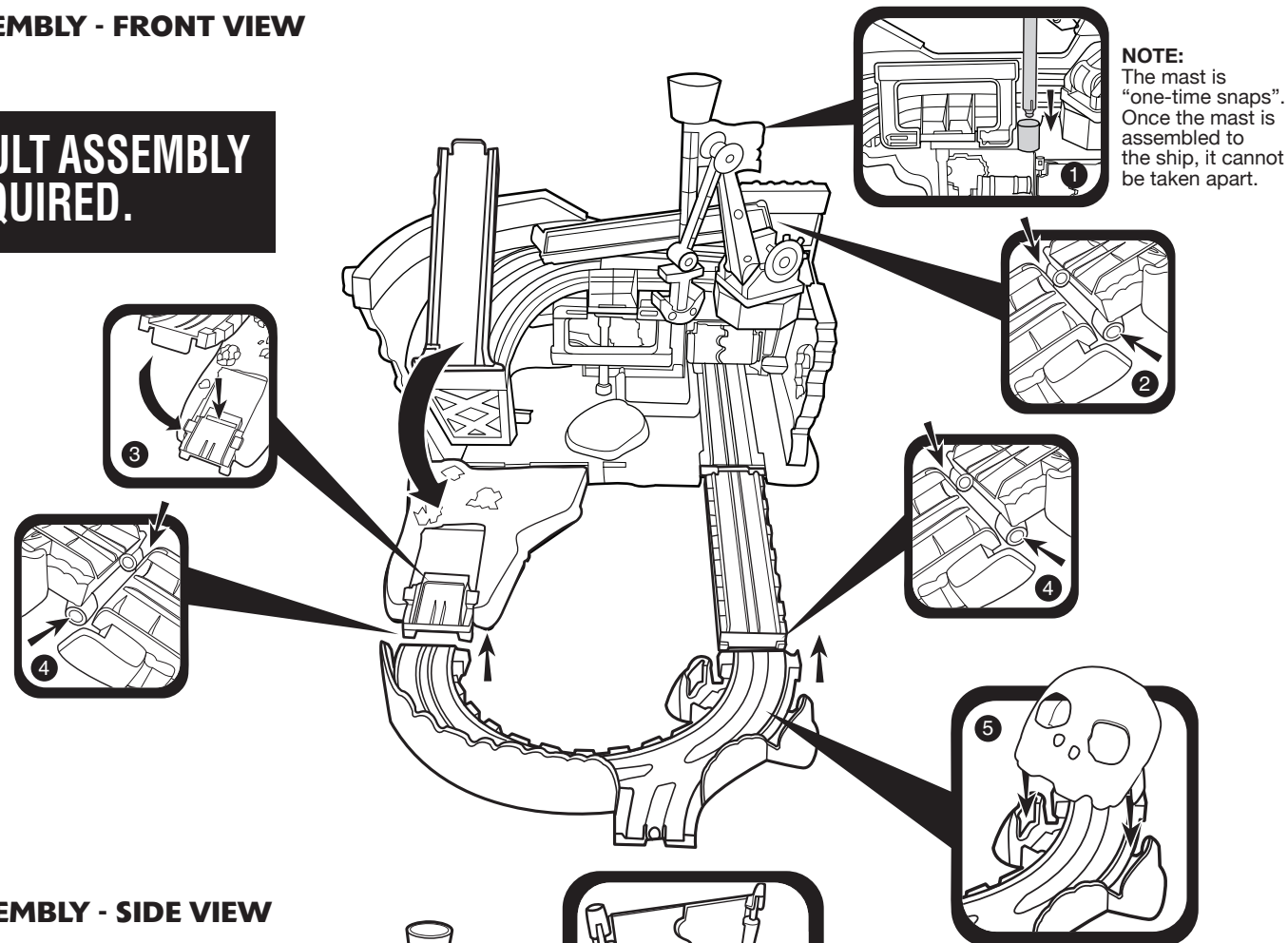
Portable Fold-out Playset

## INSTRUCTIONS

Please keep these instructions for future reference as they contain important information.

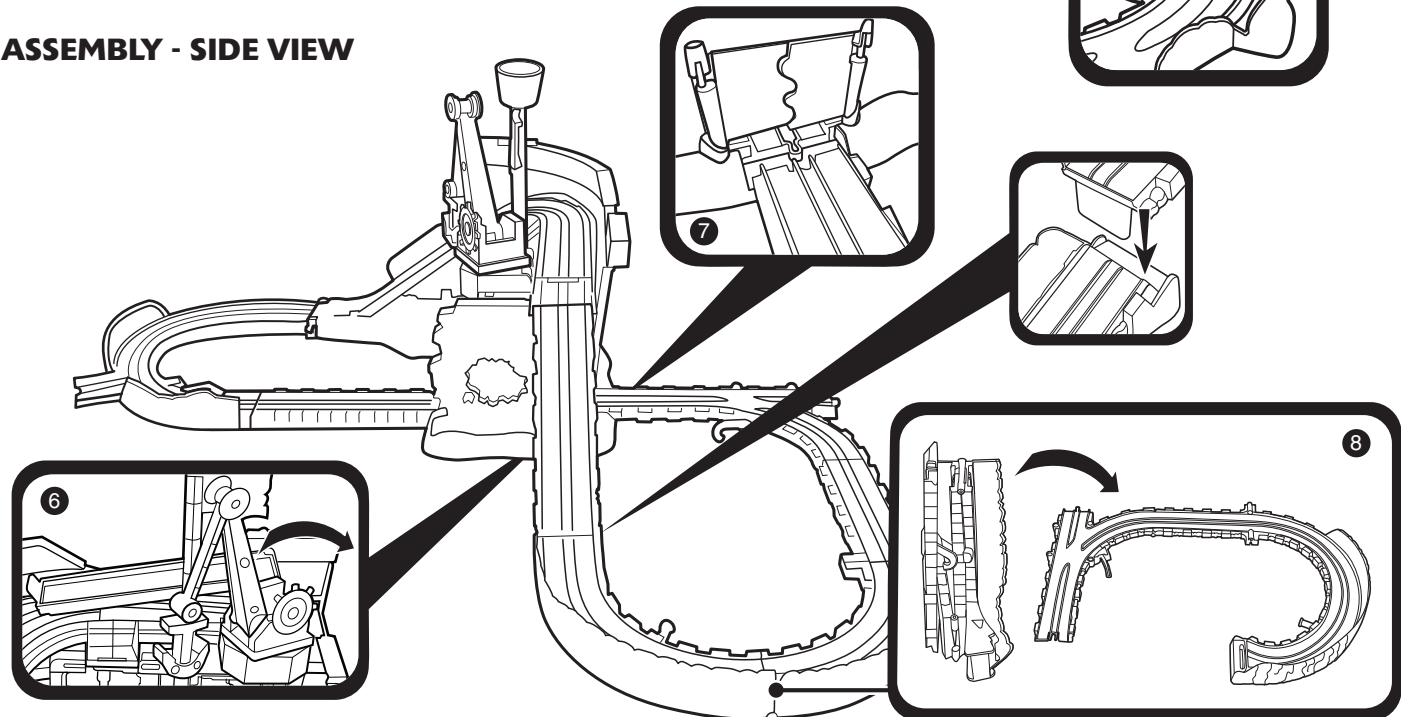
### ASSEMBLY - FRONT VIEW

**ADULT ASSEMBLY REQUIRED.**

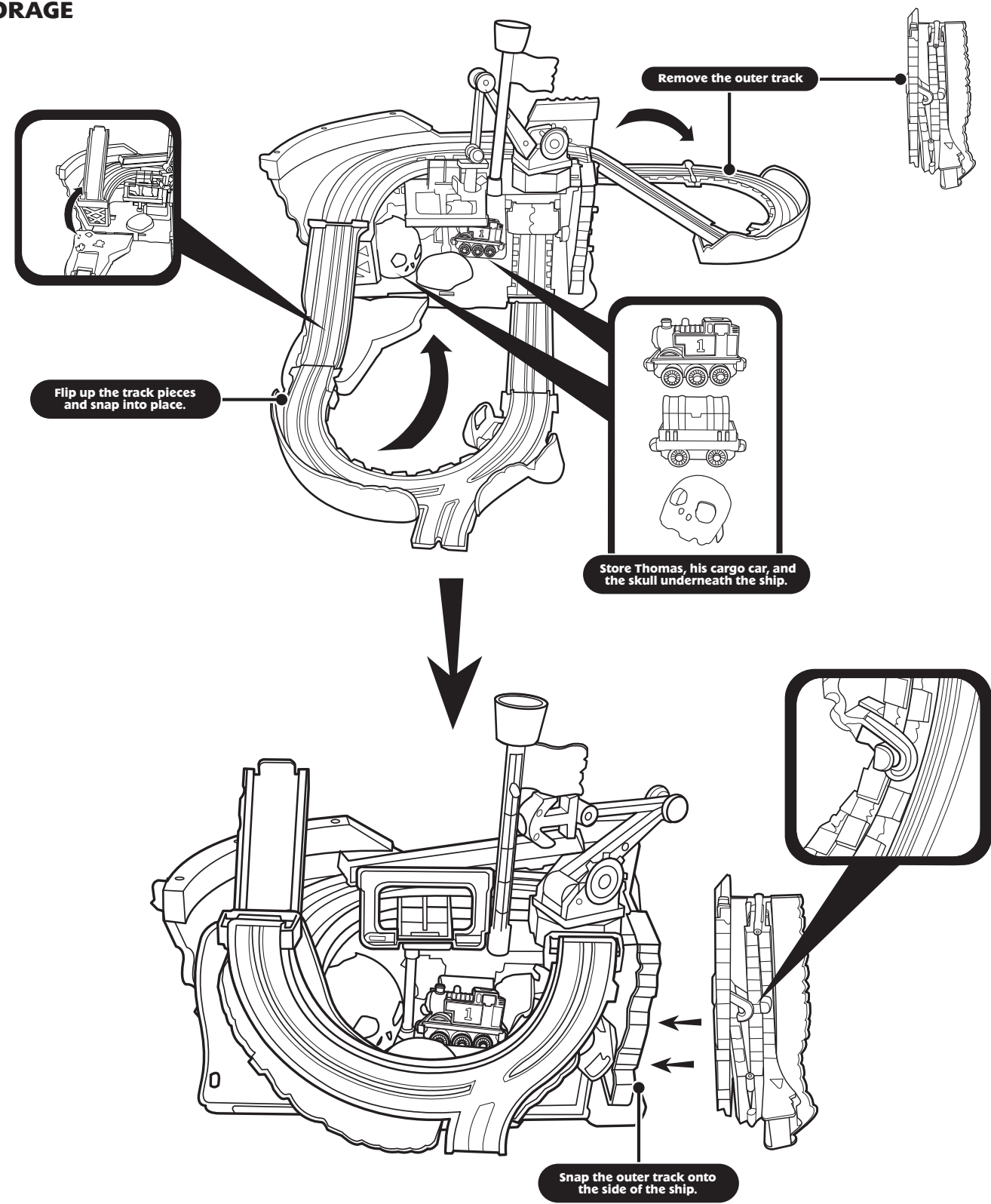


**NOTE:**  
The mast is "one-time snaps". Once the mast is assembled to the ship, it cannot be taken apart.

### ASSEMBLY - SIDE VIEW



### STORAGE



Thomas the Tank Engine & Friends™

CREATED BY BRIT ALLCROFT

Based on the Railway Series by The Reverend W Awdry.  
© 2011 Gullane (Thomas) Limited.

Thomas the Tank Engine & Friends and Thomas & Friends are trademarks of Gullane (Thomas) Limited.  
© HIT Entertainment Limited. HIT and the HIT logo are trademarks of HIT Entertainment Limited.  
Fisher-Price, Inc., a subsidiary of Mattel, Inc., East Aurora, NY 14052, U.S.A.

**PRINTED IN CHINA.** Manufactured for Fisher-Price.  
© 2011 Mattel, Inc. All Rights Reserved.

® and ™ designate U.S. trademarks of Mattel, Inc., unless otherwise indicated.  
Mattel East Asia Ltd., Room 1106, South Tower, World Finance Centre, Harbour City, Tsimshatsui, HK, China.

**CONSUMER ASSISTANCE**  
1-800-432-5437 (US & Canada)  
1300 135 312 (Australia)  
[service.fisher-price.com](http://service.fisher-price.com)

Fisher-Price, Inc., 636 Girard Avenue, East Aurora, NY 14052.  
Hearing-impaired consumers: 1-800-382-7470.  
Outside the United States:  
Canada: Mattel Canada Inc., 6155 Freemont Blvd., Mississauga, Ontario L5R 3W2; [www.service.mattel.com](http://www.service.mattel.com).  
Great Britain: Mattel UK Ltd, Vanwall Business Park, Maidenhead SL6 4UB. Helpline: 01628 500303. [www.service.mattel.com/uk](http://www.service.mattel.com/uk)

Mattel Europa, B.V., Gondel 1, 1186 MJ Amstelveen, Nederland.  
Australia: Mattel Australia Pty. Ltd., 658 Church Street, Locked Bag #870, Richmond, Victoria 3121, Australia.  
New Zealand: 16-18 William Pickering Drive, Albany 1331, Auckland.



V6447

Item No : V6447-0920  
Version : EL  
Size : A4  
Paper : Woodfree paper 80 gsm  
Color : Black  
Date : Apr 6, 2011 (LW)