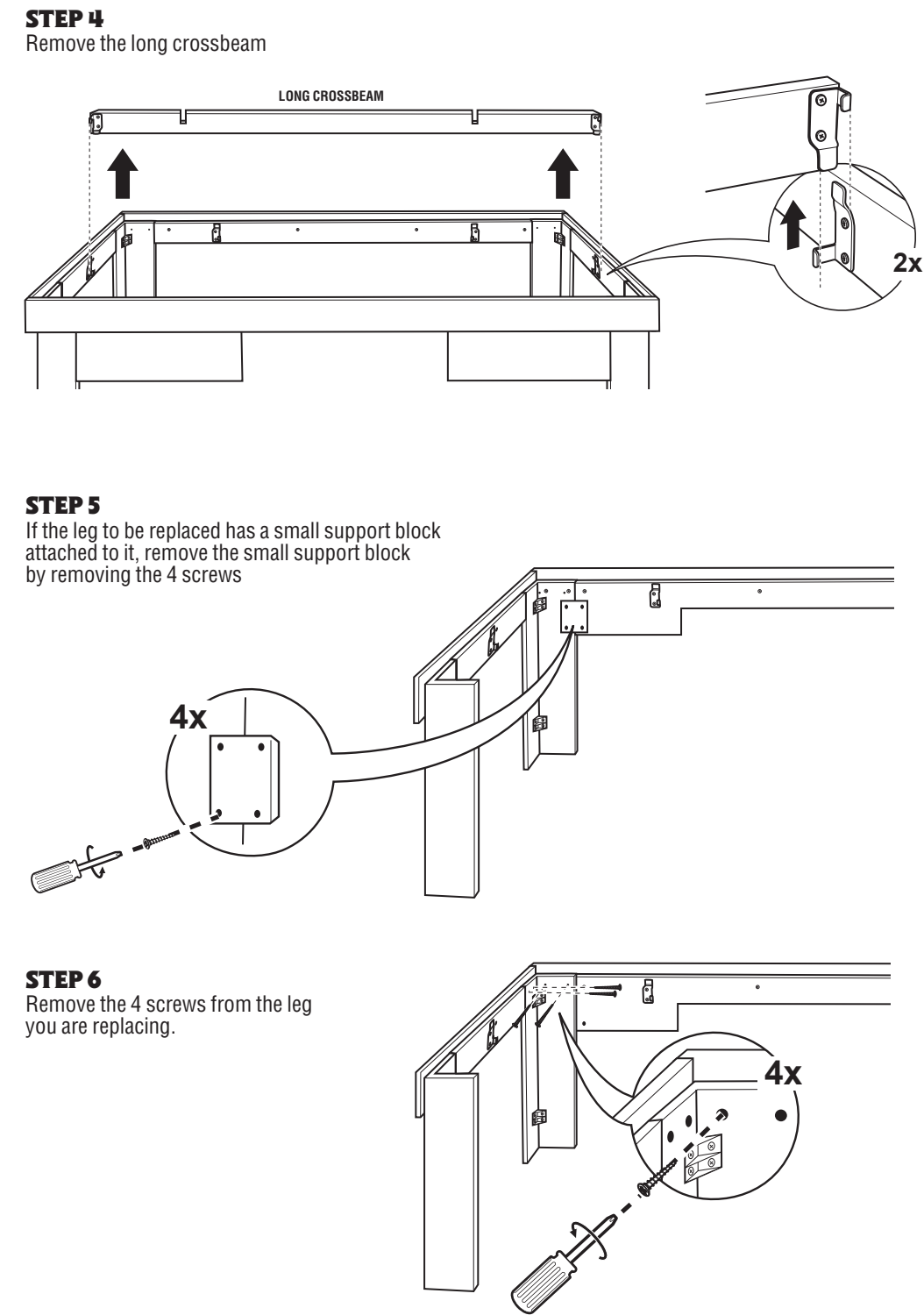
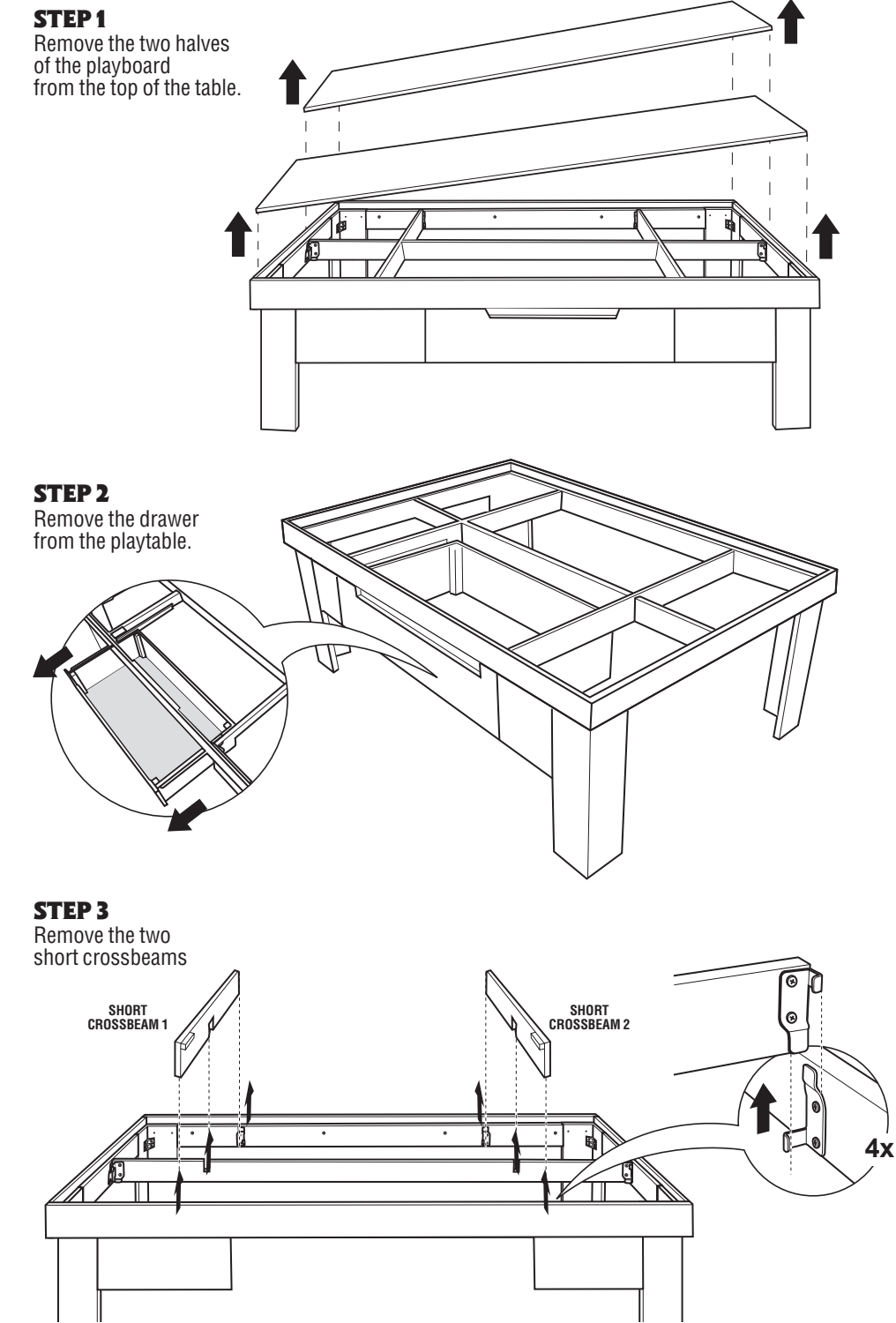


GROW-WITH-ME PLAYTABLE

Assembly Instructions

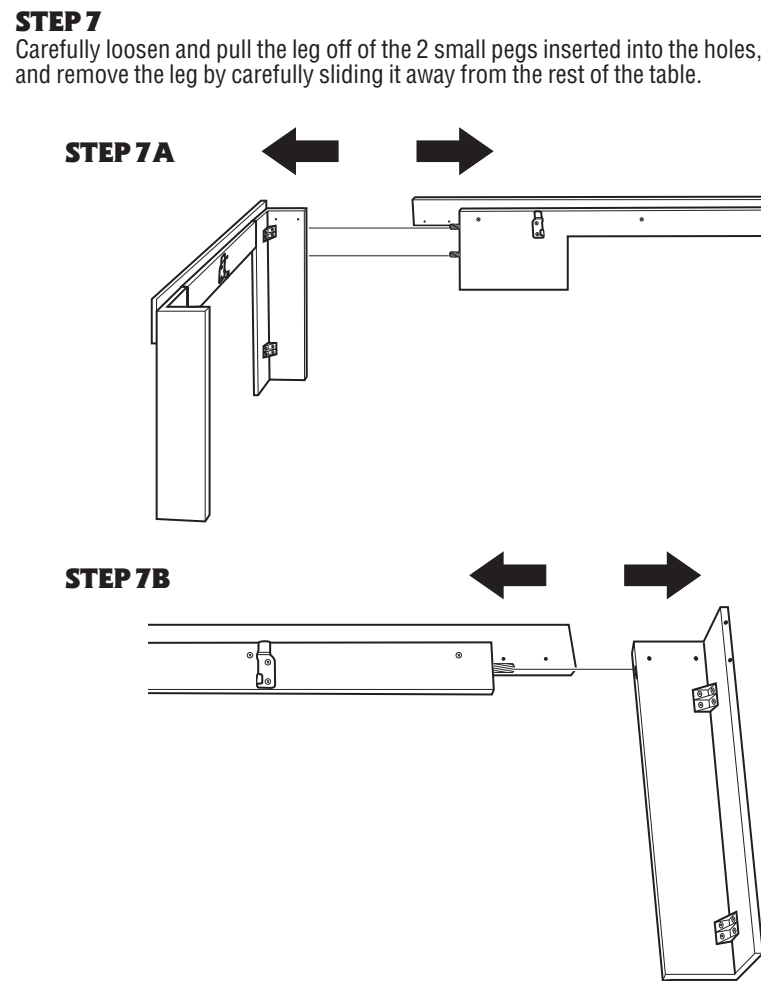
In order to replace one of the legs, you will first need to disassemble the playtable as follows:



The following instructions are provided to you in the event that you need to replace one of the legs on your Thomas and Friends Grow-With-Me Playtable. Please keep these instructions for future reference as they contain important information.

Philips medium point screwdriver also required.

CAUTION: This package contains small parts. For adult assembly only.



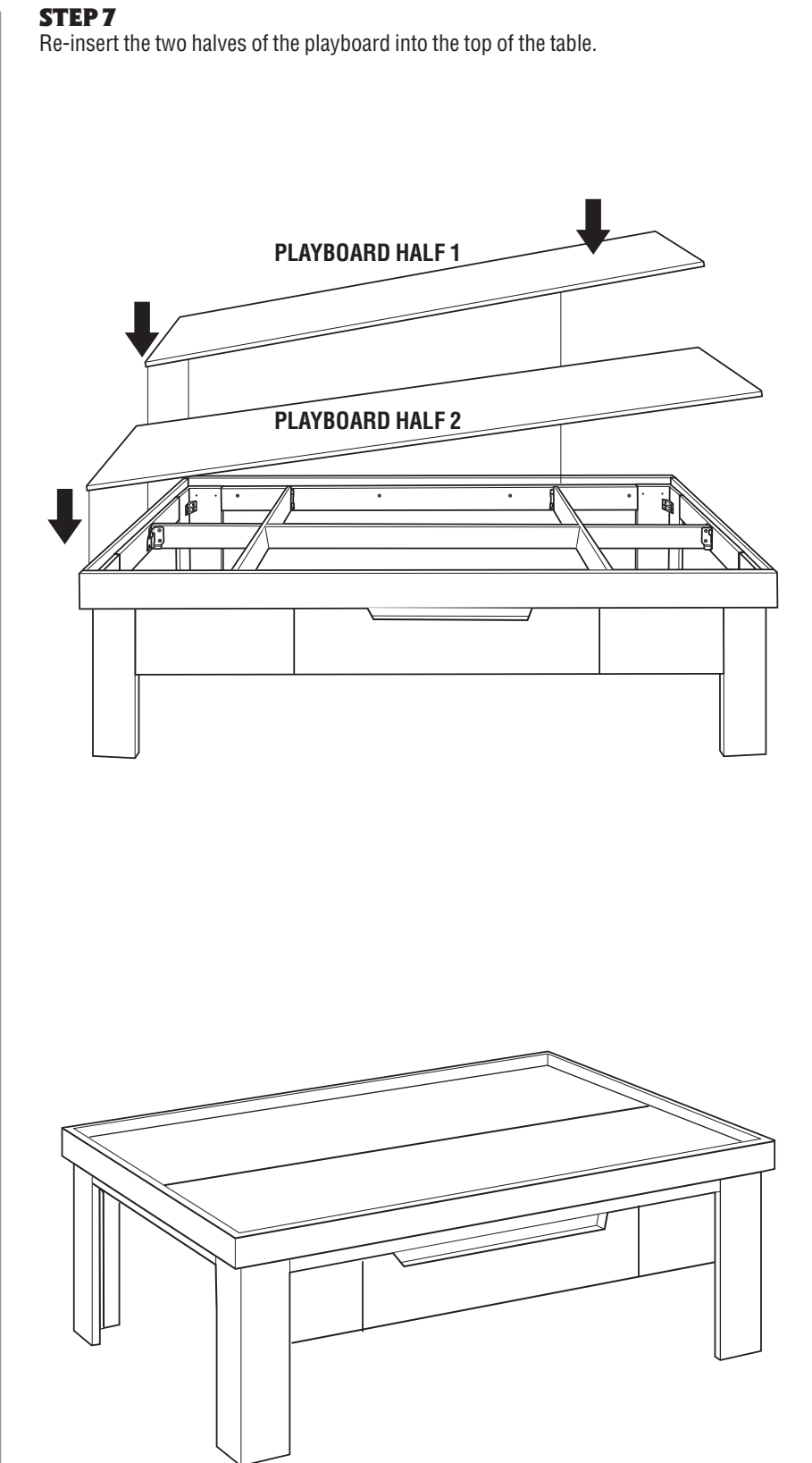
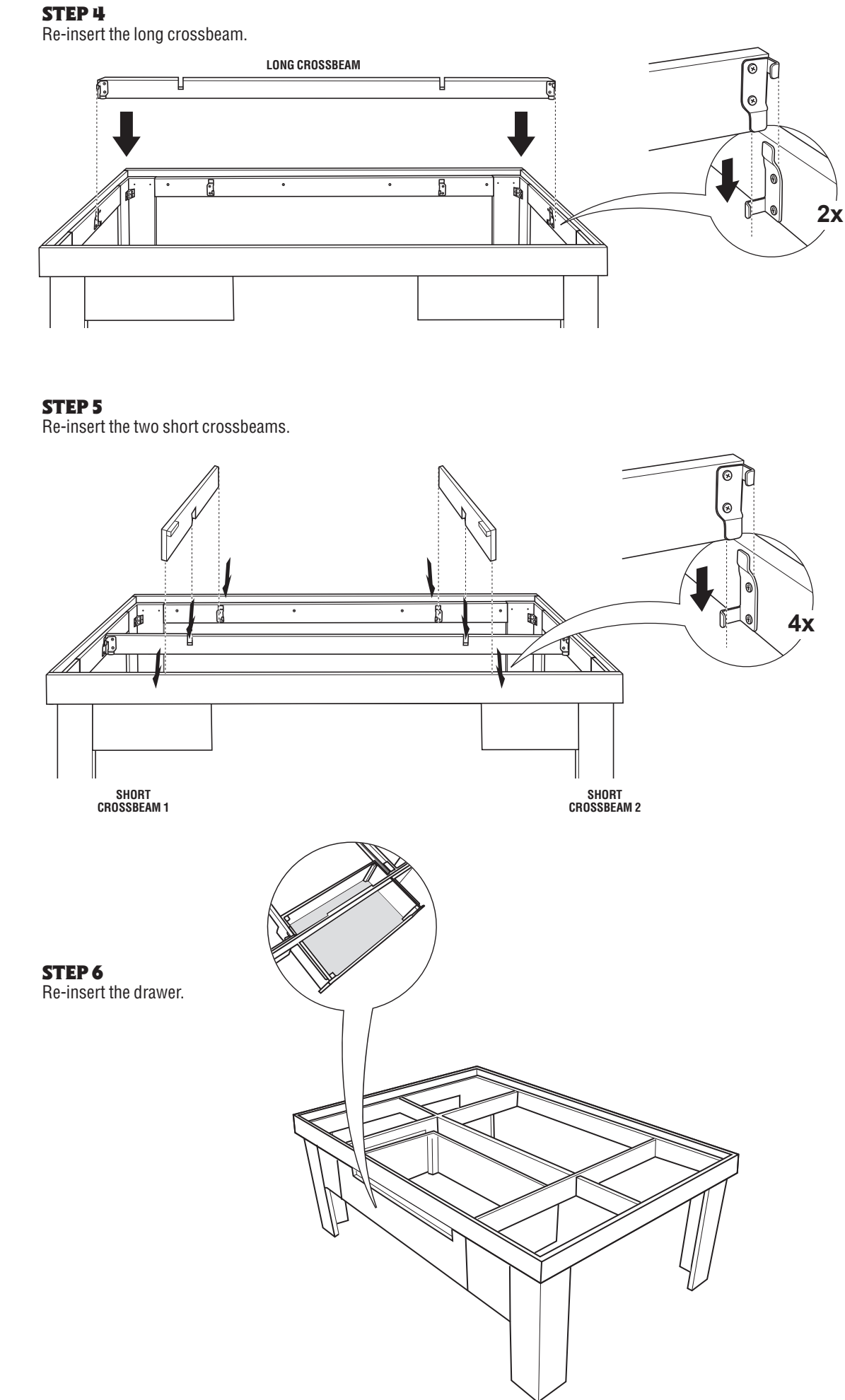
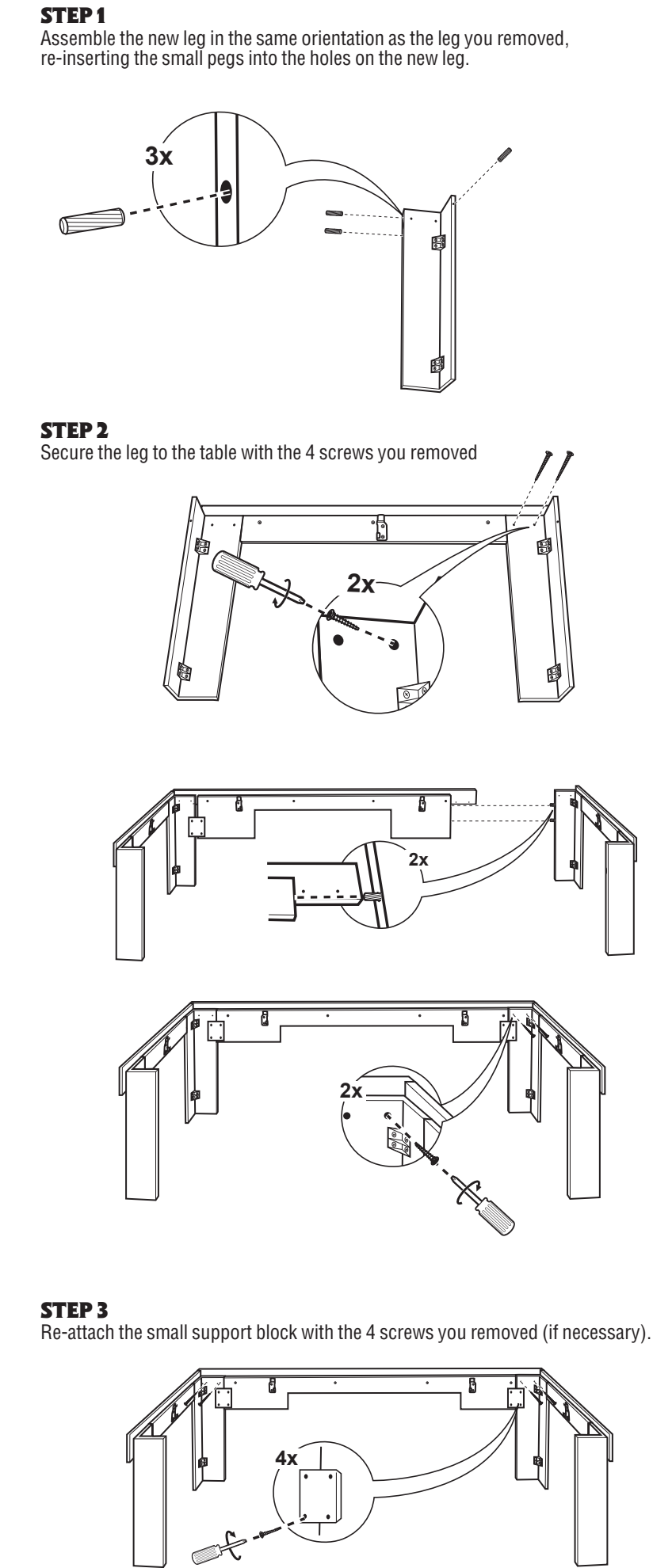
CONSUMER ASSISTANCE
1-800-432-5437 (US & Canada)
1-800-135-3122 (Australia)
service.fisher-price.com

Fisher-Price, Inc., 630 Grand Avenue, East Aurora, NY 14052.
Hearing-impaired consumer: 1-800-382-7470.

Outside the United States:
Canada: Mattel Canada Inc., 6155 Freemont Blvd., Mississauga, Ontario L5R 3K2, www.service.mattel.com.
Great Britain: Mattel UK Ltd, Vauxhall Business Park, Maidenhead SL6 4UB. Helpline: 01628 500303. www.service.mattel.com/uk
Mattel Europe B.V., Gorder 5, 1186 MJ Amstelveen, Nederland.
Australia: Mattel Australia Pty. Ltd., 658 Church Street, Locked Bag #870, Richmond, Victoria 3121 Australia.
New Zealand: 16-18 William Pickering Drive, Albany 1331, Australia.



You are now ready to assemble the new leg:



©2013 Gullane (Thomas) Limited.
©2013 Mattel. All Rights Reserved.
* and ™ designate U.S. trademarks of Mattel, except as noted.
PRINTED IN CHINA. IMPRIMÉ EN CHINE.



Item No : Y5139
Version : E1
Size : 16.5" x 11.5"
Paper : Woodfree paper 70 gsm
Color : Black
Date :

FRONT PANEL

BACK PANEL