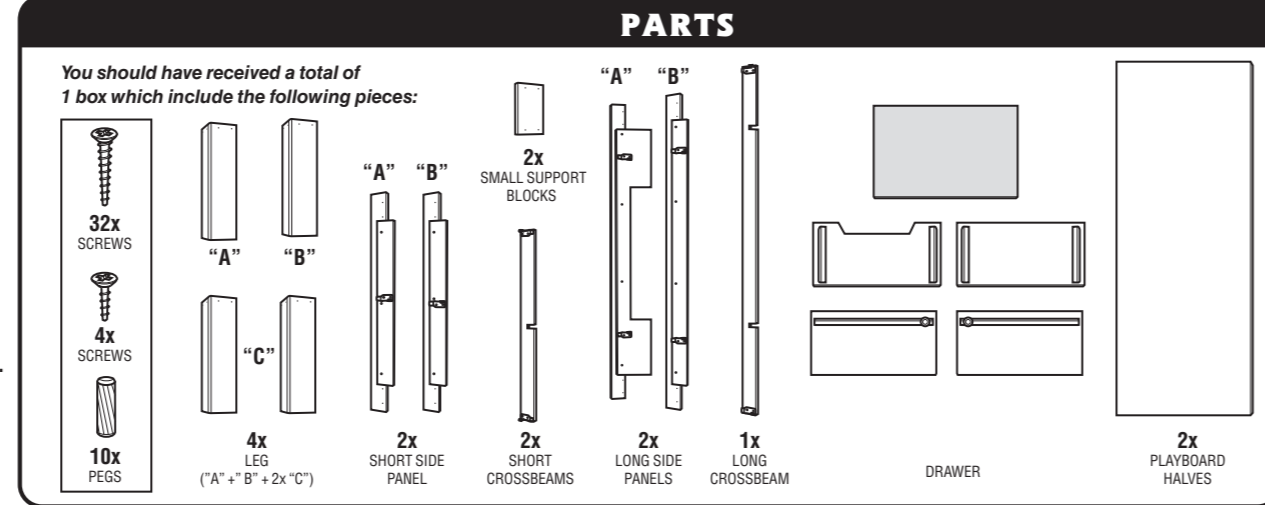


# GROW-WITH-ME PLAYTABLE

## Assembly Instructions

Please keep these instructions for future reference as they contain important information.  
Philips medium point screwdriver also required.

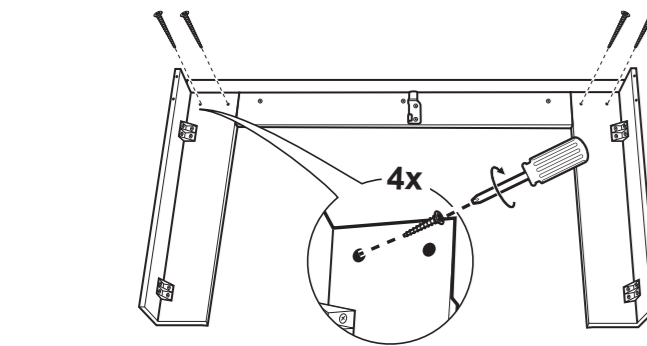
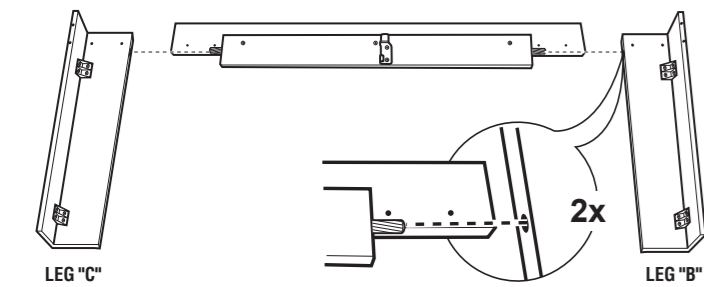
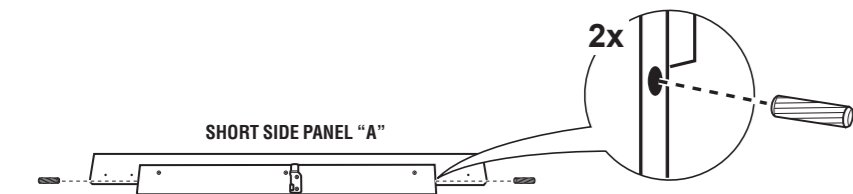
**CAUTION:** This package contains small parts. For adult assembly only.



### SHORT SIDE

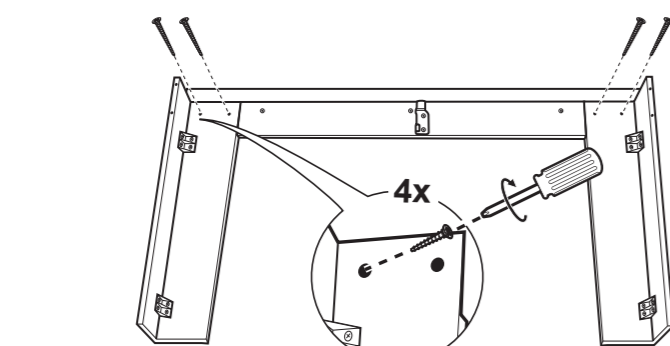
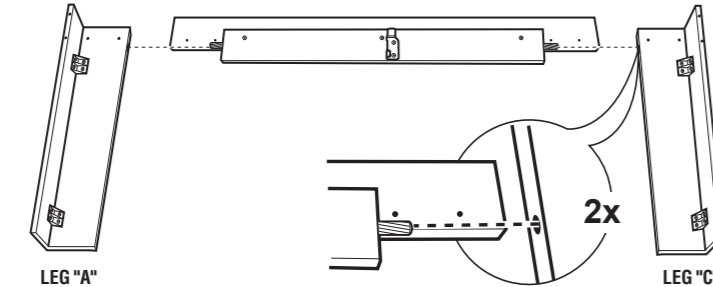
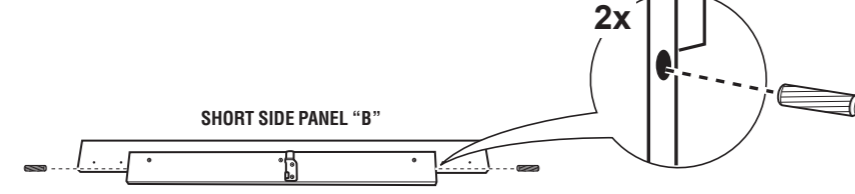
#### STEP 1

Assemble Leg "B" and Leg "C" to Short Side Panel "A", lining up the pegs with the holes and securing with screws.



#### STEP 2

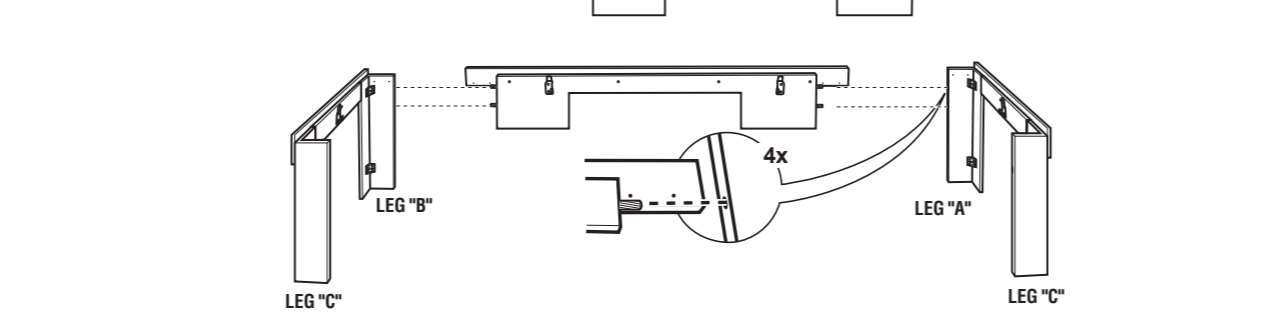
Assemble Leg "A" and Leg "C" to Short Side Panel "B", lining up the pegs with the holes and securing with screws.



### LONG SIDE

#### STEP 3

Assemble Long Side Panel A to the existing assembly, lining up the pegs with the holes and securing with screws.

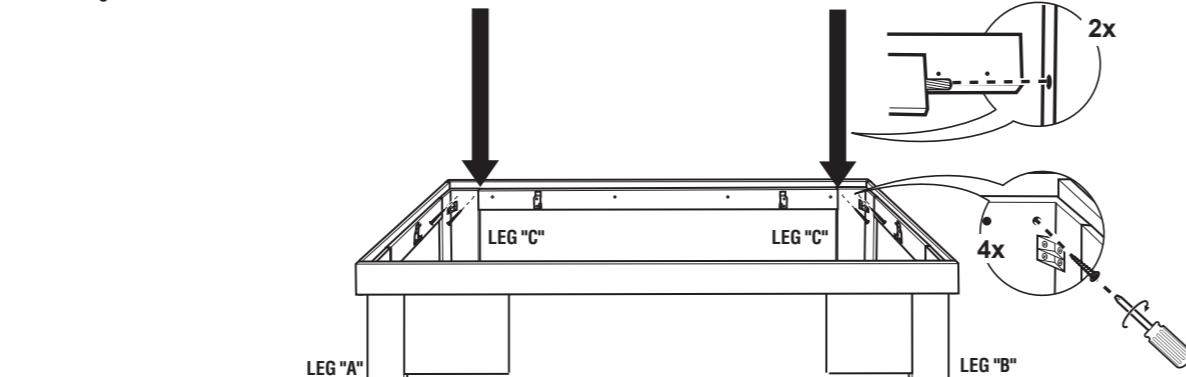


Add the 2 Small Support Blocks and secure with screws.



#### STEP 4

Assemble Long Side Panel B to the existing assembly, lining up the pegs with the holes and securing with screws.



You now have a completed table frame.

ID: Y5139-0920

©2012 Gullane (Thomas) Limited.  
©2012 Mattel. All Rights Reserved. ® and ™ designate U.S. trademarks of Mattel, except as noted. PRINTED IN CHINA. IMPRIMÉ EN CHINE. Mattel East Asia Ltd., Room 1106, South Tower, World Finance Centre, Harbour City, Tsimshatsui, HK, China.

FRONT PANEL

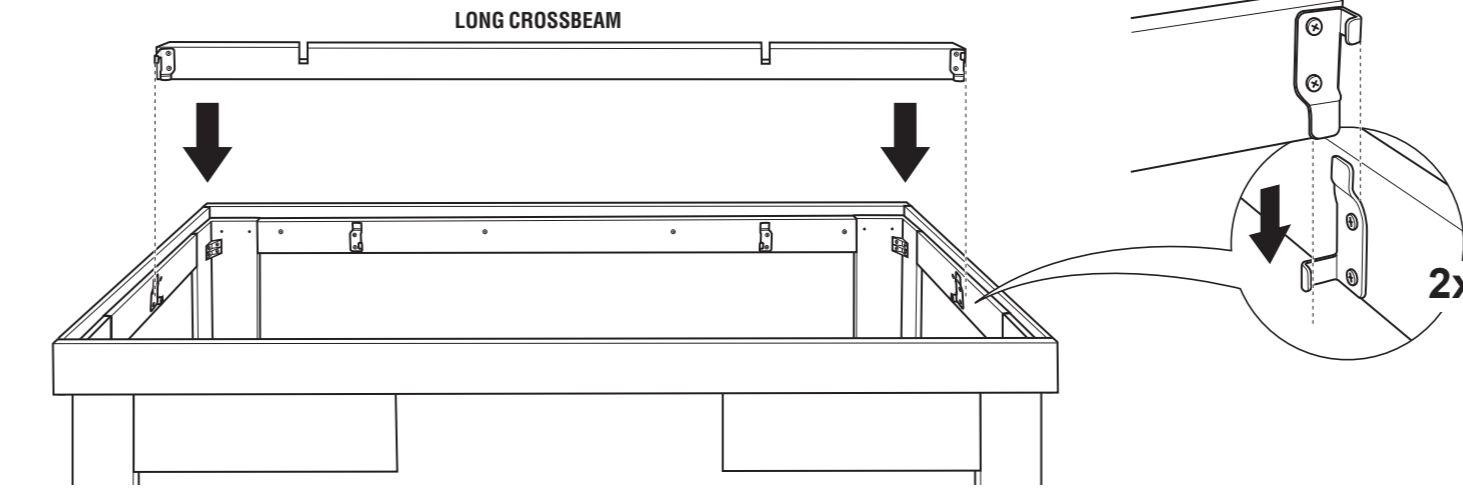
12/21/2012 remark for G1:  
-Delete copy "While this merchandising....."  
-Updated graphic

Item No : Y5139-0920G1  
Version : E1  
Size : 16.5" x 11.5"  
Paper : Woodfree paper 70 gsm  
Color : Black  
Date :

### LONG CROSSBEAM

#### STEP 5

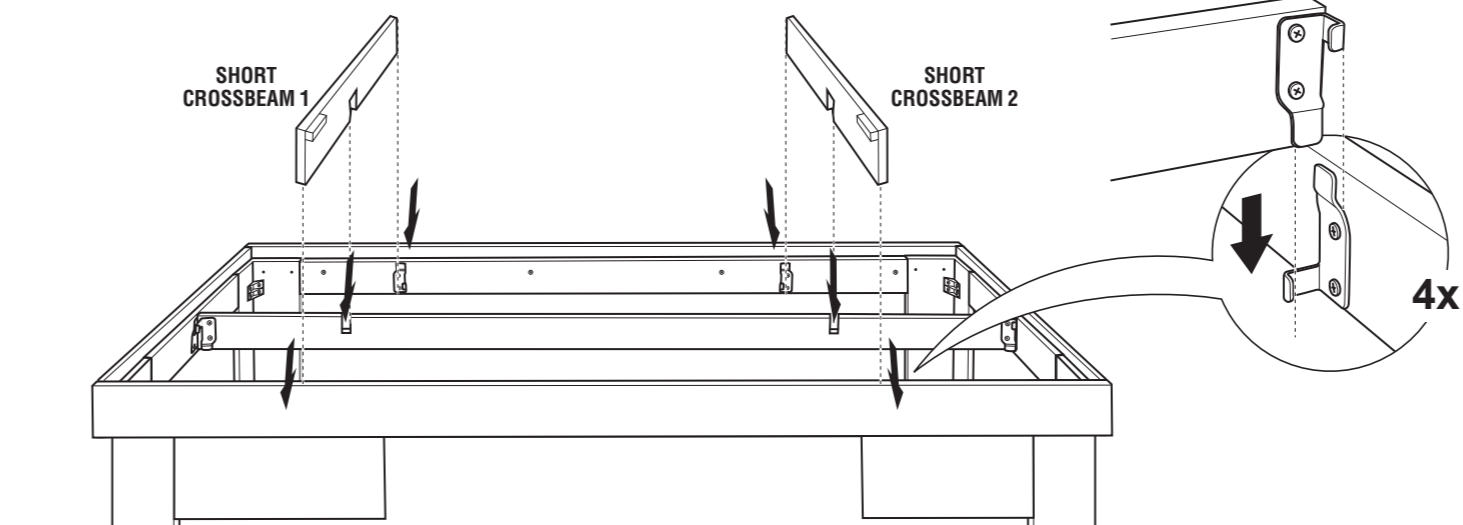
Assemble the Long Cross Beam to the completed table frame by inserting the hardware found on the ends of the Long Cross Beam into the hardware found on the short sides of the completed table frame.



### SHORT CROSSBEAMS

#### STEP 6

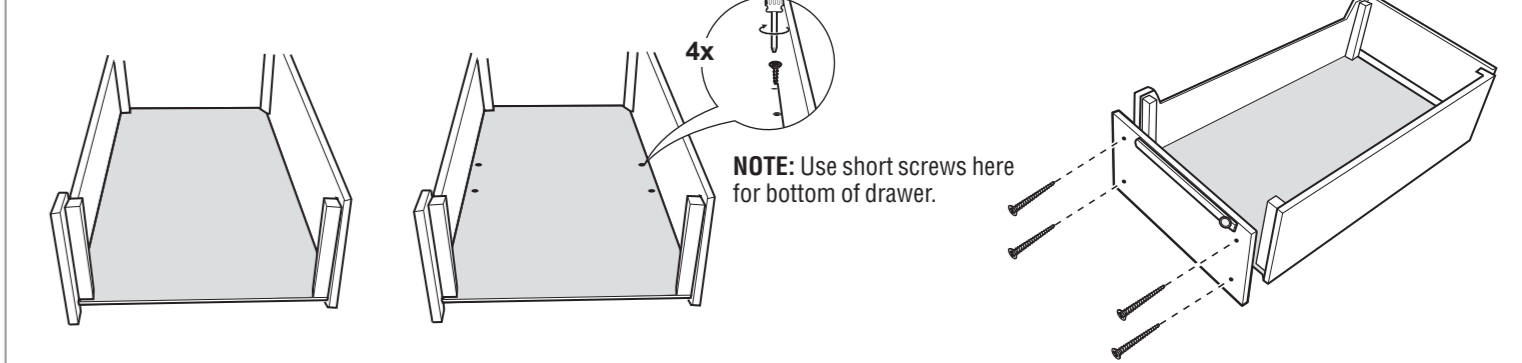
Add the 2 Short Crossbeams, inserting the hardware found on the ends of the Short Crossbeams into the hardware found on the long sides of the completed table frame.



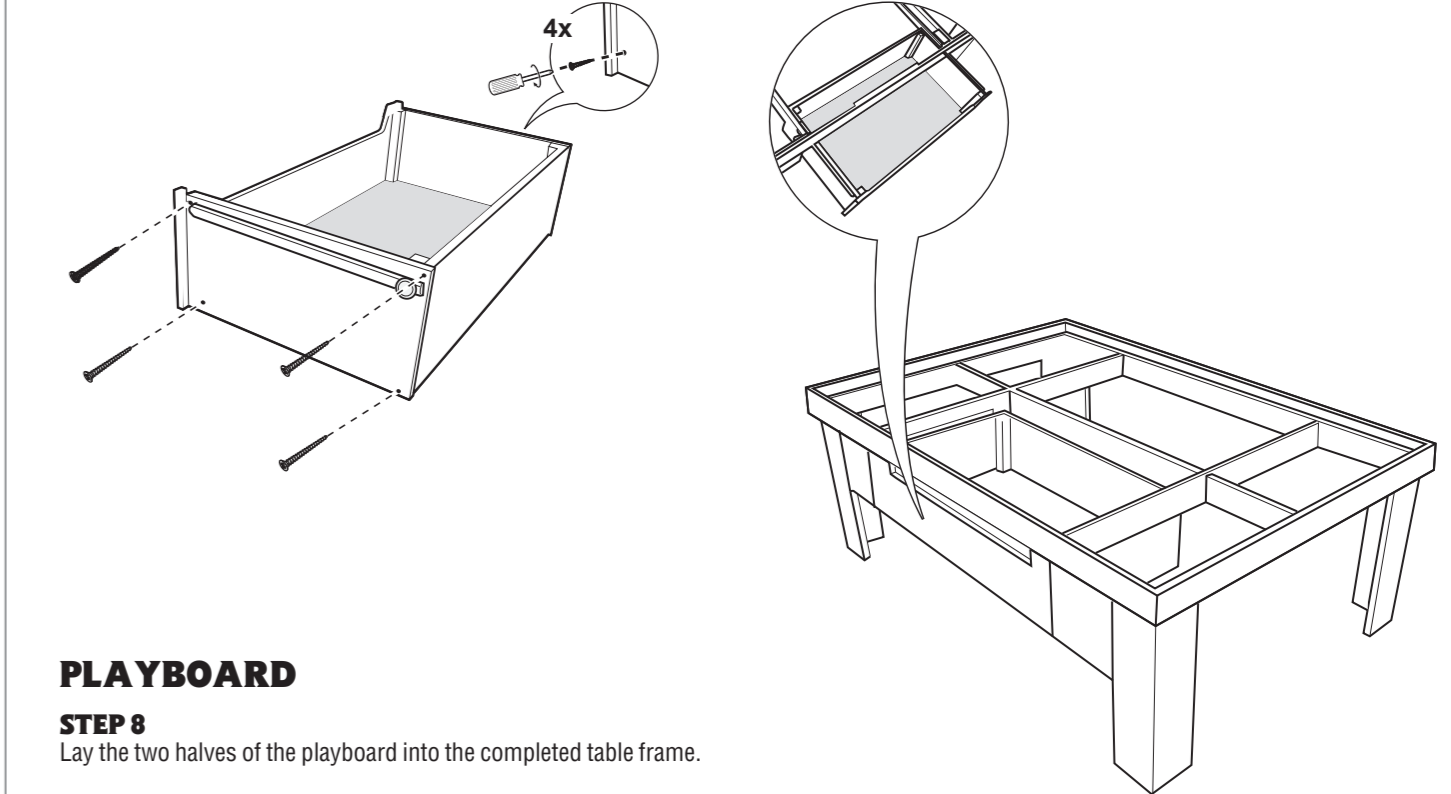
### DRAWER ASSEMBLY

#### STEP 7

Assemble and insert the drawer, as shown.



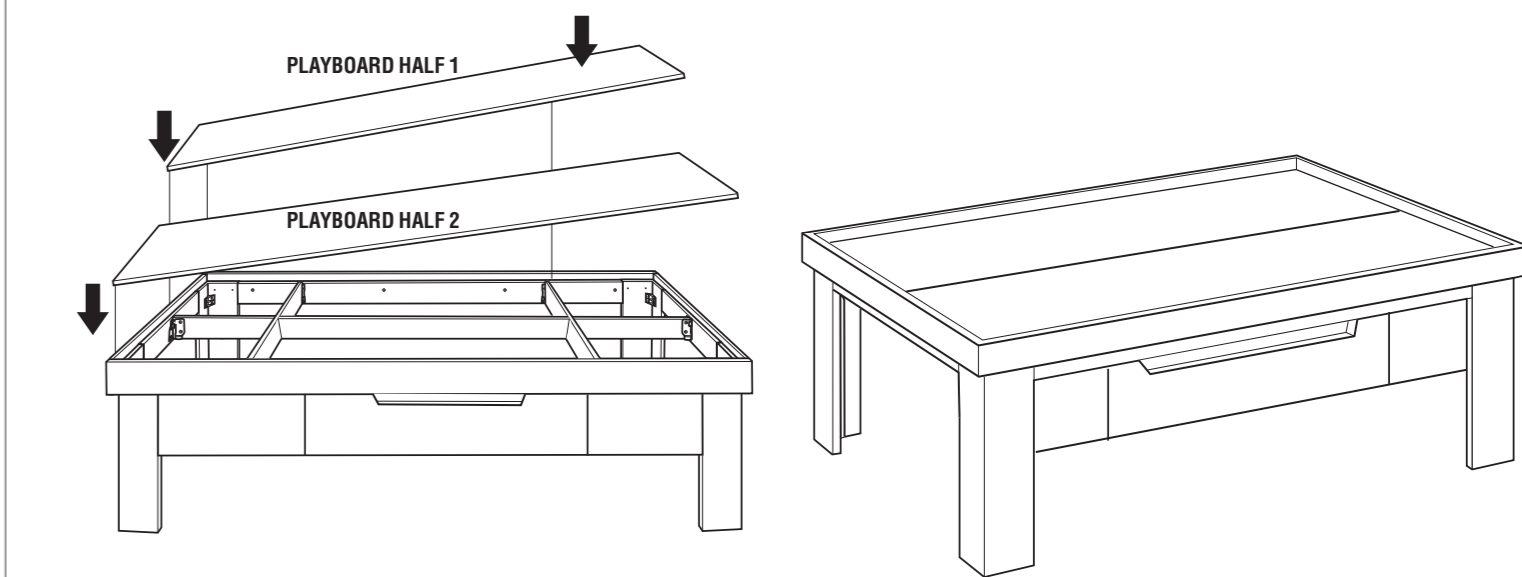
NOTE: Use short screws here for bottom of drawer.



### PLAYBOARD

#### STEP 8

Lay the two halves of the playboard into the completed table frame.



service.fisher-price.com

Y5139  
Fisher-Price

BACK PANEL